

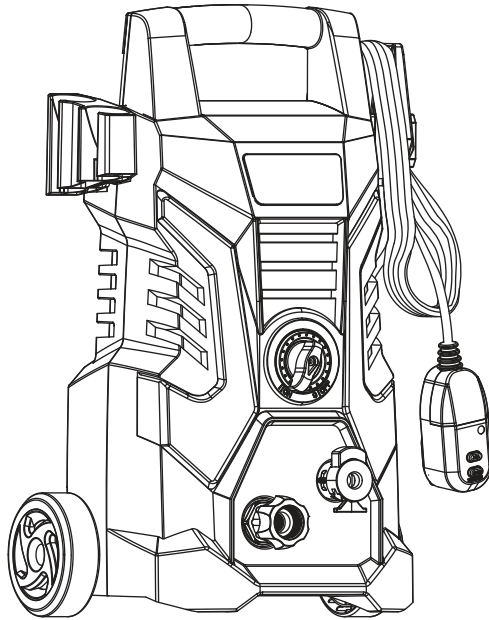
Please read and save these instructions. Read carefully before attempting to assemble, install, operate or maintain the product described. Protect yourself and others by observing all safety information. Failure to comply with instructions could result in personal injury and/or property damage! Retain instructions for future reference.



Campbell Hausfeld Electric Powered Pressure Washer

REGISTER YOUR PRODUCT ONLINE NOW!

<http://www.campbellhausfeld.com>



Description

These Campbell Hausfeld electric pressure washer is perfect for all around the home cleaning projects. This unit operate quietly, efficiently and without fuel emissions. The model features “instant start stop” (ISS) which shuts the motor off when the gun is not engaged. This conserves water and electricity, as well as extends the life of the pump.

This pressure washer is powered by a reliable universal motor and conveniently plug into household 120V – 15 Amp outlets. This model is ETL approved to meet UL and ETL standards in the US and Canada.

READ & FOLLOW ALL INSTRUCTIONS

**SAVE THESE INSTRUCTIONS
DO NOT DISCARD**

Safety Guidelines

This manual contains information that is very important to know and understand. If you have any questions, please call 1-800-543-6400 for customer assistance. This information is provided for SAFETY and to PREVENT EQUIPMENT PROBLEMS. To help recognize this information, observe the following symbols.

⚠ DANGER *Danger indicates an imminently hazardous situation which, if not avoided, WILL result in death or serious injury.*

⚠ WARNING *Warning indicates a potentially hazardous situation which, if not avoided, COULD result in death or serious injury.*

⚠ CAUTION *Caution indicates a potentially hazardous situation which, if not avoided, MAY result in minor or moderate injury.*

Figure 1 - Model PW150100

Specifications

Model	Pressure	Volt
PW150100	1500 psi / 10,342 kPa	120

Please record Model Number and Serial Number for use when contacting the manufacturer:

Model No.: _____

Serial No.: _____

Purchase Date: _____

Purchase Place: _____

For information about this product, call 1-800-543-6400.

**REMINDER: Keep your dated proof of purchase for warranty purposes!
Attach it to this manual or file it for safekeeping.**

READ AND FOLLOW ALL INSTRUCTIONS • SAVE THESE INSTRUCTIONS • DO NOT DISCARD

Safety Guidelines (Continued)

NOTICE

Notice indicates important information, that if not followed, may cause damage to equipment.

NOTE: Information that requires special attention.

Safety Symbols

The following Safety Symbols appear throughout this manual to alert you to important safety hazards and precautions.



Read Manual First



Risk of Explosion



Risk of Fire



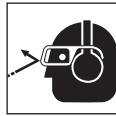
Risk of Electrocutation



Risk of Falling



Risk of Personal Injury



Wear Eye and Hearing Protection

WARNING

When using tools, basic precautions should always be followed, including the following:

CALIFORNIA PROPOSITION 65

WARNING

This product or its power cord may contain chemicals, including lead, known to the State of California to cause cancer and birth defects or other reproductive harm. Wash hands after handling.

WARNING

You can create dust when you cut, sand, drill or grind materials such as wood, paint, metal, concrete, cement, or other masonry. This dust often contains chemicals known to cause cancer, birth defects, or other reproductive harm. Wear protective gear.

GENERAL SAFETY

- To reduce the risks of electric shock, fire, and injury to persons, read all the instructions before using the tool. Failure to follow warnings, dangers, and cautions could result in **DEATH** or **SERIOUS INJURY**.
- Be thoroughly familiar with the controls and the proper use of the equipment. Follow all instructions. Contact your Campbell Hausfeld representative if you have any questions, 1 (800) 543-6400.
- Only persons well acquainted with these rules of safe operation should be allowed to use the unit.
- Follow all safety codes as well as the Occupational Safety and Health Act (OSHA).



WORK AREA

- Keep operation area clear of all persons.
- To reduce the risk of injury, close supervision is necessary when the product is used near children.
- Do not operate the tool in explosive atmospheres, such as in the presence of flammable liquids, gases, or dust. The tool is able to create sparks resulting in the ignition of the dust or fumes.

- NEVER spray flammable liquids or use pressure washer in areas containing combustible dust, liquids, or vapors.
- Never operate this machine in a closed building or in or near an explosive environment.



PERSONAL SAFETY

- Stay alert. Watch what you are doing and use common sense when operating the tool. Do not use the tool while tired or under the influence of drugs, alcohol, or medication. A moment of inattention while operating the tool increases the risk of injury to persons.
- Dress properly. Wear closed toe shoes (no flip flops.) Do not wear loose clothing or jewelry. Contain long hair. Keep hair, clothing, and gloves away from moving parts. Loose clothes, jewelry, or long hair increases the risk of injury to persons as a result of being caught in moving parts.
- Do not overreach. Keep proper footing and balance at all times. Proper footing and balance enables better control of the tool in unexpected situations.



WARNING

Risk of injection or severe injury. Keep clear of nozzle. Do not discharge streams at persons. This product is to be used only by trained operators. Always remove lance from gun before cleaning debris from nozzle.



- Keep clear of nozzle. NEVER direct high pressure spray at a person, animal, or yourself.
- NEVER put hand or fingers over the spray nozzle while operating the unit.
- NEVER try to stop or deflect leaks with any body part.

WARNING

Ensuring that the tool is used only when the operator and all other personnel in the work area are wearing ANSI Z87 eye protection equipment, and when required, other appropriate protection equipment such as head, hearing protection, gloves, rubber boots, protective clothing when operating and performing maintenance. Serious eye or permanent hearing loss could result.



ELECTRICAL SAFETY

WARNING

Risk of electrocutation:

- This product is provided with a ground fault circuit interrupter, GFCI, built into the power cord plug. Be sure to inspect cord and GFCI prior to use. Any repair or replacement of the power cord must be performed by a qualified (licensed or certified) electrical technician. If replacement of the plug or cord is needed, use only identical replacement parts.
- NEVER use an extension cord with this product.
- Inspect cord before using - Do not use if cord is damaged.
- Keep all electrical connections dry and off the ground.
- Do not touch plug with wet hands.
- Do not spray electrical apparatus and wiring.



Safety Guidelines (Continued)

TOOL USE AND CARE

▲ WARNING *Do not use pressure that exceeds the operating pressure of any of the parts (hoses, fittings, etc.) in the pressurized system. Ensure all equipment and accessories are rated to withstand the maximum working pressure of the unit.*

- a. Maintain the tool with care. A properly maintained tool reduces the risk of problems and is easier to control.
- b. Ensure safety devices are operating properly before each use. DO NOT remove or modify any part of the gun or unit.
- c. NEVER operate the machine without all components properly connected to the machine (handle, gun/wand assembly, nozzle, etc.).
- d. Point gun in safe direction. Unit will start spraying when trigger is squeezed if “On/Off” switch is in “ON” position.
- e. Know how to stop this product and bleed pressure quickly. Be thoroughly familiar with the controls.
- f. ALWAYS engage the trigger safety latch in the safe position when spraying is stopped even if only for a few moments.
- g. NEVER permanently engage the trigger mechanism on the gun.
- h. ALWAYS follow detergent manufacturer’s label recommendations for proper use of detergents. Always protect eyes, skin, and respiratory system from detergent use.
- i. NEVER disconnect the high pressure discharge hose from the machine while the system is pressurized. To depressurize machine, turn power and water supply off, then press the gun trigger 2-3 times.
- j. Unplug unit when not in use.
- k. Follow the maintenance instructions specified in the manual.

NOTICE

Equipment damage:

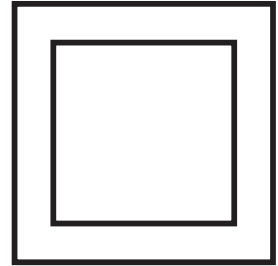
- l. ALWAYS turn water supply “ON” before turning pressure washer “ON.” Running pump dry causes serious damage.
- m. Do not operate the pressure washer with the inlet water screen removed. Keep screen clear of debris and sediment.
- n. NEVER operate pressure washer with broken or missing parts. Check equipment regularly and repair or replace worn or damaged parts immediately.
- o. Use only the lances supplied with this machine.
- p. NEVER leave the wand unattended while the machine is running.
- q. ALWAYS hold gun and wand firmly when starting and operating the machine.
- r. Release the trigger when changing from high to low pressure modes. Failure to do so could result in damage to the nozzle.
- s. NEVER store the pressure washer outdoors or where it could freeze. Freezing temperatures can seriously damage the pump.
- t. Pressure washer is not meant to pump hot water. Do not connect to hot water supply.

SERVICE

- a. When servicing a tool, use only identical replacement parts. Use only authorized parts.

Servicing of a Double-Insulated Appliance

In a double-insulated product, two systems of insulation are provided instead of grounding. No grounding means are provided for a double-insulated product, nor should grounding means be added to the product. Servicing a double-insulated product requires extreme care and knowledge of the system, and should be done only by qualified service personnel. Replacement parts for a double-insulated product must be identical to the original parts. A double-insulated product is marked with the words “Double Insulation” or “Double Insulated.” Product may also be marked with symbol shown above.

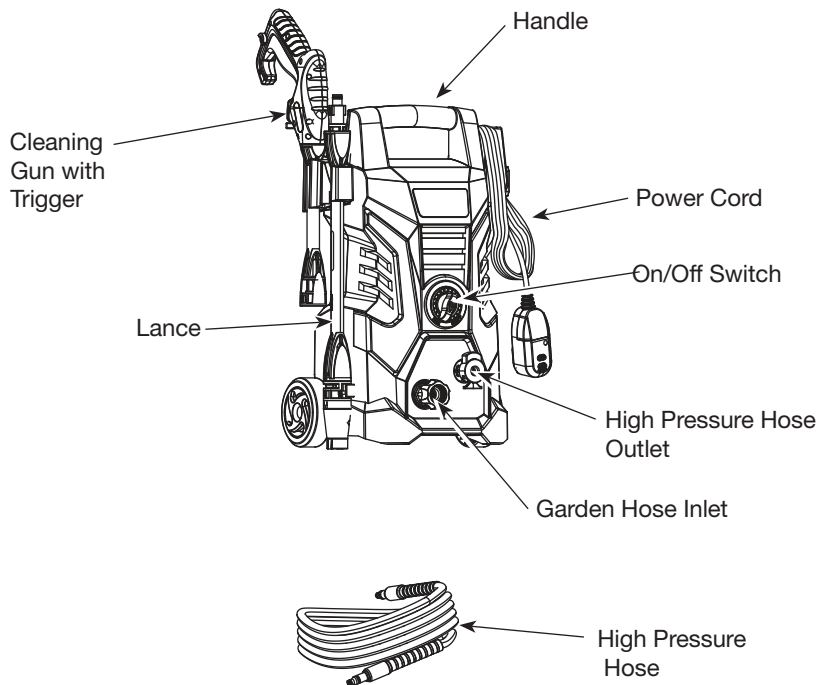


Double Insulated Symbol

The **DANGER, WARNING, CAUTION, and NOTICE** notifications and instructions in this manual cannot cover all possible conditions and situations that may occur. It must be understood by the operator that caution is a factor which cannot be built into this product, but must be supplied by the operator.

**SAVE THESE INSTRUCTIONS
DO NOT DISCARD**

Unpacking



After unpacking the unit, inspect carefully for any damage that may have occurred during transit. Check for loose, missing or damaged parts. Make sure to tighten fittings, bolts, etc., before using the pressure washer. Check to be sure all supplied accessories are enclosed with the unit. If any parts are missing, **DO NOT RETURN THE UNIT TO THE RETAILER.** Know the unit's model number, serial number and date code (located on the back of the pressure washer) and call 1-800-543-6400 for replacement parts.

⚠ WARNING *Do not operate the unit if it's damaged during shipping, handling, or use. Damage could result in bursting and cause injury or property damage.*

RECOMMENDED USES FOR THIS PRESSURE WASHER

- ◆ Deck
- ◆ Siding
- ◆ Vehicles
- ◆ Gutters (with right angle nozzle)

ADDITIONAL ITEMS NOT INCLUDED

- ◆ ANSI Z87 Eye Protection
- ◆ Garden Hose

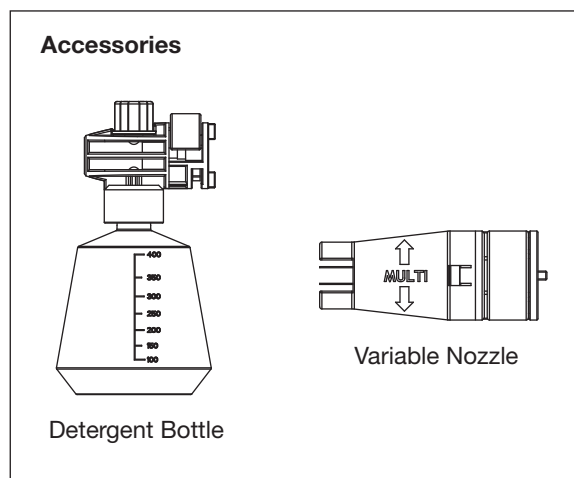


Figure 2 - Components of the Pressure Washer

Assembly and Preoperation

NOTICE

Always make sure that the garden hose is turned on before turning on the pressure washer. Running the pressure washer without water will damage the pumps seals.

NOTICE

Do not disassemble the lance or gun on this pressure washer. Replacement parts are not available for the gun or lance.

PW150100

1. Attach high pressure hose to high pressure outlet (see Figure 3).
2. Attach high pressure hose to gun (see Figure 4).
3. Attach lance to gun, twist and lock. Attach nozzle or detergent bottle to lance by pressing the Easy Connect button and inserting into Quick Connect on lance (see Figures 5, 6 and 7).
4. Attach garden hose to unit (see Figure 8).
5. Press easy connect button while inserting quick connect fitting (see Figures 3, 4, 6 and 7).

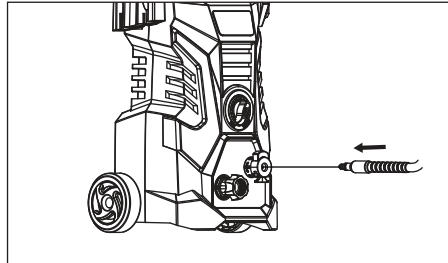


Figure 3 - Attach high pressure hose to high pressure outlet

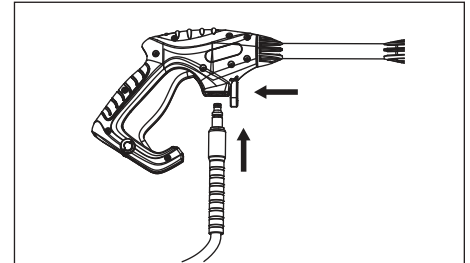


Figure 4 - Attach high pressure hose to gun

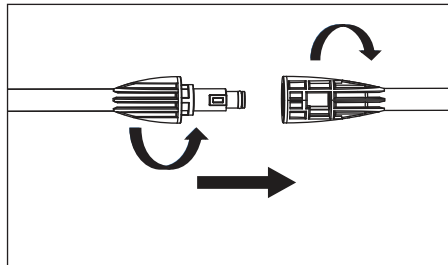


Figure 5 - Attach lance to gun

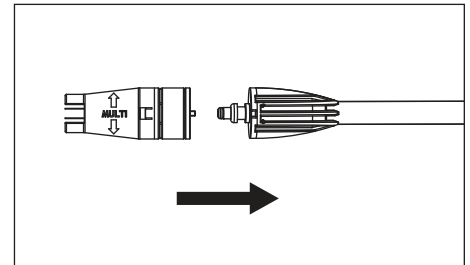


Figure 6 - Attach nozzle to lance

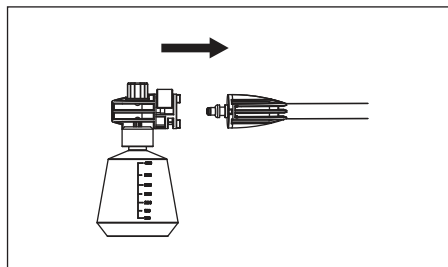


Figure 7 - Attach detergent bottle to lance

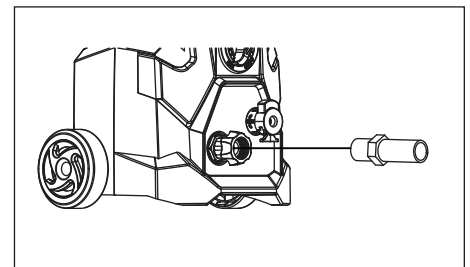


Figure 8 - Attach garden hose to unit

Assembly and Preoperation (Continued)

TRIGGER SAFETY LATCH

In the engaged position, the trigger safety latch prevents the gun from being triggered accidentally. Push the button in to engage it. (See Figure 9)

Always engage the trigger safety latch when the unit is not in use.

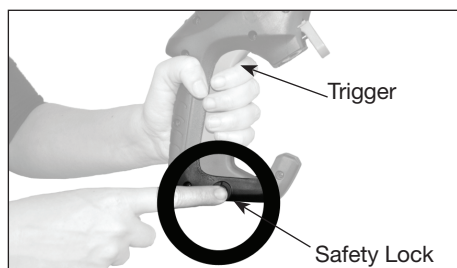


Figure 9 - Trigger safety latch

OPERATION

! IMPORTANT !

This pressure washer is equipped with a microswitch sensitive to water flow. This Instant Start/Stop switch (ISS) senses water flow in the pump. When the trigger is released, water stops flowing through the pump. The ISS then automatically turns the motor off to protect pump from overheating.

OPERATION

1. Turn on water.
2. Pull trigger on gun.
3. Turn the "ON/OFF" switch to "ON".
4. Release trigger. The pressure washer motor will stop running.
5. To spray again, pull trigger and motor and pump will restart.

NOTE: Occasionally the motor may run for a short time to bring fresh, cool water into the pump even if trigger is released. This is part of normal operation and will not damage the unit.

CAUTION Always turn the "ON/OFF" switch to "OFF" then trigger gun to release hose pressure before unplugging power cord.

CAUTION Risk of equipment damage. Always make sure the "ON/OFF" switch on the unit is "OFF" and unit is unplugged prior to storage.

WARNING Risk of Injection. Unit will start spraying when trigger is squeezed if ON/OFF switch is in "ON" position. Always point gun in safe direction.

SURFACE PREPARATION

The following cleaning procedure will help you organize your cleaning task and ensures that you will achieve the best results in

the shortest amount of time. Gallons Per Minute (GPM), the more water per minute can mean faster cleaning, especially when washing off materials like mud and road tar. GROUND FAULT CURRENT INTERRUPTER (GFCI) protects user from accidental electrocution (for electric powered pressure washer only). Remember to use the spraying / cleaning techniques mentioned in the following section.

Before starting a pressure washer cleaning job, prepare the surface you intend to clean. Clear furniture from the area and make sure that all windows and doors are closed tightly. Also, protect all plants and trees near the cleaning area with a drop cloth. A covering ensures that your plants won't be sprayed by the detergents.

START UP

ALWAYS use this start up procedure to ensure that the unit is started safely and properly.

NOTICE

If water has frozen in the pressure washer, thaw the pressure washer in a warm room before starting. DO NOT pour hot water on or into the pump; internal parts will be damaged. Check for leaks.

1. Ensure that the power switch is in the "OFF" position.
2. Attach a garden hose to the inlet side of the pump and connect it to the water supply. Use a hose with an internal diameter (I.D.) of 5/8 in. (1.58 cm) and a length of 50 ft. (15 m) or less.

WARNING

Some local plumbing codes require backflow prevention when connecting to a fresh water supply. Install a backflow preventer upstream from the pump if necessary.

- a. If inlet water pressure is over 100 psi, install a regulating water valve at the garden hose connection.
- b. Do not exceed 100° F (38° C) inlet water temperature.

NOTE: The inlet water supply must have a minimum flow rate of 5 gpm (19 lpm).

3. Turn the water supply ON.

NOTICE

Never run the unit dry. Be sure the water supply is completely turned on before operating the unit.

4. Trigger the gun until water sprays from the nozzle indicating that all air is purged from the system. Set the trigger safety latch.
5. Plug the power cord into a grounded 120V outlet, that is on a dedicated circuit. Do not use extension cord. Press the reset button on the GFCI plug adapter. This must be done each time the unit is plugged into an outlet. (Figure 10)

Operation (Continued)

SYSTEM CONNECTION

(See page 5 for Assembly Instructions)

1. Plug the power cord into a grounded 120V outlet.
2. Turn water on.
3. Unlock trigger lock by moving lock right to left.
4. Depress and hold the trigger on the gun for one minute to release pressure and remove any air trapped in the system.
5. Turn the "ON/OFF" switch to the "ON" position.

INITIAL HIGH PRESSURE RINSE

Spray the cleaning surface with water to clear off any dirt or grime that may have collected on the surface. Doing so allows the detergent to attack the deep down dirt that has worked its way into the cleaning surface.

Trigger the gun 3 to 5 times to get any trapped air out of the system.

ADJUSTING THE SPRAY FAN ANGLE

1. The lance is affected by pressure during operation; therefore hold it firmly with both hands and point the nozzle toward the ground.
2. Activate by pulling the trigger of the gun/spray handle.
3. Adjust the distance to the cleaning surface, which will also adjust your pressure of the nozzle.
4. Spray pattern shape and intensity can be changed by twisting the spray adjuster at the end of the lance (see Figure 11 & 12). Keep hands clear of the front of the lance to prevent injury.

Pressure can also be adjusted by moving closer or further away from the cleaning surface and by adjusting the spray fan angle as shown.

ANGLE TO THE CLEANING SURFACE

When spraying water against a surface, you can generate maximum impact by striking the surface head on. However, this type of impact can cause dirt particles to embed in the surface and can prevent the desired cleaning action.

The optimum angle for spraying water against a cleaning surface is 45 degrees to efficiently remove debris. (Figure 13)

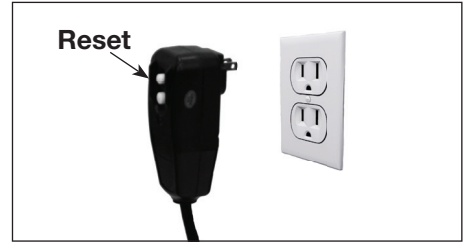


Figure 10 - Grounded plug/reset button

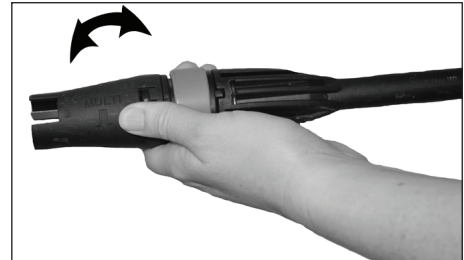


Figure 11 - Spray Adjust

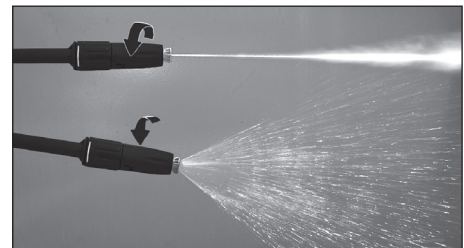


Figure 12 - Adjust spray pattern



Figure 13 - Optimum angle to cleaning surface

Operation (Continued)

Distance From Cleaning Surface

The distance between the spray nozzle and the cleaning surface is another factor that affects the impact force of the water. The impact force of the water increases as the nozzle is moved closer to the surface.

How to Avoid Damaging Surfaces

Damage to cleaning surfaces occurs because the impact force of the water exceeds the durability of the surface. You can vary the impact force by controlling the spray nozzle angle to the cleaning surface and the distance from the cleaning surface and by adjusting the spray nozzle. NEVER use a narrow high impact stream on a surface that is susceptible to damage. Avoid spraying windows with a narrow high impact stream. Doing so may break the window. The most sure way to avoid damaging surfaces is to follow these steps:

1. Place the spray nozzle approximately 4-5 feet (1,22-1,52 m) away from the cleaning surface. Then hold the lance and spray nozzle at a 45 degree angle to the cleaning surface. Trigger the gun.
2. Vary the fan pattern spray angle and the distance to the cleaning surface until optimum cleaning efficiency is achieved without damaging the surface.

DETERGENT APPLICATION

NOTE: Use only detergents formulated for pressure washer. Test detergent in an inconspicuous area before use. DO NOT use bleach in pressure washer.

Detergents

The use of detergents can dramatically reduce cleaning time and assist in the removal of difficult stains. Many detergents are customized for pressure washer use on specific cleaning tasks. Pressure washer detergents are as thick as water. Using thicker detergents – like dish detergent – will clog the chemical injection system and prevent the application of the detergent.

Once applied to a cleaning surface, detergents take time to break down dirt and grime. Detergents work best when applied at low pressure.

You can effectively clean surfaces by combining the chemical action of detergents with high pressure rinses. On vertical surfaces, apply the detergent starting at the bottom and work your way upward. This method prevents the detergent from sliding down and causing streaks. Begin high pressure rinsing at the top and work your way down to surface. On particularly tough stains, use a brush in combination with detergents and high pressure rinsing.

1. Follow manufacturer's label directions for mixing correct concentrations of detergent/detergents. The detergent to water ratio through the pump is approximately 10% (1 to 10).

◆ PW150100: Pour detergent into detergent container.

General Cleaning Tips

1. Apply the detergent so that it thoroughly covers the cleaning surface. Apply the detergent from bottom to top to prevent the detergent from sliding down and streaking. Wait a couple of minutes for the detergent to break down the dirt and grime. Use a brush to lightly scrub heavily soiled areas. Never allow the detergent to dry on the cleaning surface.
2. Rinse with high pressure.

CLEANING POWER

The easiest way to regulate the cleaning power of your pressure washer is by changing the distance from the surface you are cleaning. Begin spraying with a wide fan pattern while standing several feet from the surface. Slowly move closer to the object you are cleaning, adjusting the spray pattern as necessary, until you find the most effective cleaning technique.

FINAL RINSE

The final rinse should start at the top and work down to surface. Make sure that you thoroughly rinse the surface and that you remove all detergent.

PRESSURE RELIEF PROCEDURE

To reduce the risk of bodily injury or property damage, always follow this procedure whenever spraying is stopped, when work is completed, and before checking or repairing any part of the system.

1. Engage the trigger safety latch.
2. Turn the unit off.
3. Shut off the water supply.
4. Disengage the trigger safety latch and trigger the gun to relieve pressure.
5. Re-engage the trigger safety latch.
6. When checking or repairing unit, remove the wall outlet plug from the wall.
7. Before overnight storage, long term storage, or transporting unit, disconnect the water supply.

SHUTDOWN

1. Fully rinse detergent attachment with clean water.
2. Turn the motor OFF.
3. Turn the water supply OFF.
4. After the motor and water supply are turned off, trigger the gun to depressurize the system.

Operation (Continued)

NOTICE NEVER turn the water supply off before turning the engine/motor off. Serious damage could occur to the pump and/or engine/motor.

CAUTION NEVER disconnect the high pressure discharge hose from the machine while the system is pressurized. To depressurize, turn engine/motor off, turn water supply off and squeeze gun trigger 2-3 times.

- 5. After each use, wipe all surfaces of the pressure washer with a clean, damp cloth.

STORAGE

- Do not store the pressure washer outdoors.
- Do not store the pressure washer where it might freeze unless it has been properly winterized.

Winterizing Instructions

1. Disconnect the high pressure hose from the pump.
2. Insert a 12 inch to 14 inch piece of garden hose into the pump inlet.
3. Place a funnel in the other end of the garden hose.

NOTICE Read the manufacturer's instructions for safe handling and disposal of RV antifreeze.

4. Pour approximately 6 oz. of RV antifreeze into the funnel.
5. Jog the On/Off Switch briefly until the RV antifreeze comes out of the pump outlet.
6. Disconnect the high pressure hose from the gun and drain the hose. Hold the gun and lance in a vertical position and squeeze the trigger to drain the water out.

NOZZLE CLEANING INSTRUCTIONS

A clogged or partially clogged nozzle can cause a significant reduction of water coming out of the nozzle and cause the unit to pulsate while spraying.

To clean out the nozzle:

- Turn off unit.
- Turn off water supply. Relieve any pressure trapped in the hose by squeezing trigger 2-3 times.
- Separate lance from gun.
- Rotate nozzle to the narrow stream setting. This opens up the fan blades.
- Using the included nozzle cleaner, or an un-folded paper clip, insert wire into the nozzle hole and move back and forth until debris is dislodged (refer to Figure 14).
- Remove additional debris by back-flushing water through the nozzle. To do this, remove the lance from the gun, place end of a garden hose (with water running) nozzle to nozzle pushing water and debris out the back opening of the lance.

TIPS FOR EXTENDING THE LIFE OF YOUR PRESSURE WASHER

1. Never operate the unit without water.
2. Your pressure washer is not meant to pump hot water. Never connect your pressure washer to a hot water supply as it will significantly reduce the life of the pump.

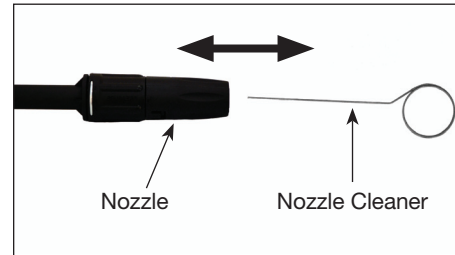


Figure 14

MAINTENANCE

Observe regular maintenance intervals to ensure maximum performance and life from the pressure washer. Refer to the schedule for recommended maintenance. If you operate the pressure washer in dusty conditions, perform maintenance checks more often.

MAINTENANCE SCHEDULE

Maintenance Schedule	Action needed
Daily	Check water inlet screen and filter.

TECHNICAL AND CONSUMER INFORMATION

Horizontal Oriented Pressure washer	
Pump Detergent Suction	
Water to detergent ratio	10 to 1 (10% detergent)
Water Supply Requirements	
Minimum inlet pressure	20 psi
Maximum inlet pressure	100 psi
Maximum inlet temperature	100° F
Minimum inlet flow rate	5 gpm
Inlet garden hose size	5/8 in. I.D.
Maximum inlet garden hose length	50 ft

Troubleshooting Guide

SYMPTOM	CAUSE	SOLUTION
Low pressure and/or pump runs rough	<ol style="list-style-type: none"> 1. Worn nozzle 2. Inlet filter on pump clogged 3. Restricted inlet 4. Leaking high pressure hose 5. Pump drawing in air 	<ol style="list-style-type: none"> 1. Replace nozzle 2. Clean. Check more frequently 3. Check garden hose, may be collapsed or kinked. Check inlet water flow 4. Replace high pressure hose 5. Ensure hoses and fittings are tight
Strong surging at the inlet and low pressure	Foreign particles in the inlet or discharge valve or worn inlet and/or discharge valves	Call 1-800-543-6400
Fluctuating pressure	<ol style="list-style-type: none"> 1. Pump drawing in air 2. Nozzle clogged 	<ol style="list-style-type: none"> 1. Ensure hoses and fittings are tight. Purge air from garden hose 2. Clean or replace
Pressure drops after period of normal use	Nozzle worn	Check and replace
Pressure washer does not start up	<ol style="list-style-type: none"> 1. GFCI has tripped 2. Plug is not well connected or electric socket is faulty 3. Extension cord (see page 2 Electrical Safety section b) or wire size too small 4. Main voltage supply too low 5. Thermal safety switch has tripped 	<ol style="list-style-type: none"> 1. Push reset button on plug 2. Check plug, socket and fuses 3. Remove extension cord, product cannot be used with extension cord 4. Check that main supply voltage is adequate 5. Switch off unit and allow motor to cool down
Motor stops suddenly	<ol style="list-style-type: none"> 1. Extension cord (see page 2 Electrical Safety section b) or wire size too small 2. Thermal safety switch has tripped due to overheating 	<ol style="list-style-type: none"> 1. Remove extension cord, product cannot be used with extension cord 2. Check that main supply voltage corresponds to specifications
Unit begins to smoke	Overheated, overloaded or damaged motor	Turn off unit and call 1-800-543-6400
Pump noisy / pump runs rough	<ol style="list-style-type: none"> 1. Pump drawing in air/low water supply 2. Water too hot 	<ol style="list-style-type: none"> 1. Ensure fittings are tight. Increase water pressure 2. Reduce temperature below 100° F
Pressure washer will not spray detergent	Not using detergent dispenser	Change nozzle and detergent dispenser

Continued on next page

Troubleshooting Guide (Continued)

SYMPTOM	CAUSE	SOLUTION
Motor will not start	The gun trigger is not being pulled while starting	<ol style="list-style-type: none"> 1. Turn the water supply off. Disconnect the garden hose and the black high- pressure hose from the unit. This will relieve any pressure from the pump. 2. Plug the unit in to the electrical outlet. Make sure the unit is in the OFF position. 3. If your unit is equipped with a GFCI plug, push the top button, then the bottom button and then top button again. You should have a light showing on the small window above these buttons. If no red light is showing, you are not getting power to the unit. The unit can be taken to a service center for repair. 4. Hook the water supply back to the unit and turn the water on. Press the on button and see if it will start. If it does, shut the water and the unit off, attach the gun and hose and go to step 5. 5. With the unit in the OFF position, pull the trigger on the gun and make sure a small stream of water is coming out. Keep the trigger pressed while turning the unit ON.
Low pressure testing	Pump, gun or lance problem	<ol style="list-style-type: none"> 1. Remove the black high-pressure hose from the pressure washer. 2. Hook up the garden hose. 3. Turn on the water supply the water should flow through the pressure washer. 4. Turn on the pressure washer. The water should shoot 8-10 feet from the pump out of the pipe where the high-pressure hose hooks up. 5. If water does shoot 8-10 feet, then the pump is fine. If not, then the pump needs to be cleaned. Turn the water off to the pressure washer and call Technical Support at 1-800-543-6400 for further instructions. 6. If the pump is fine, then attach the black high-pressure hose to the pressure washer. Remove the nozzle from the lance. 7. Turn the water back on and trigger the gun. Water should shoot 10-20 feet from the gun. 8. If water does not shoot 10-20 feet from the gun, then the trigger valve in the gun is bad and the gun needs to be replaced. If it does shoot 10-20 feet, then the nozzle needs to be checked for clogs. See page 9 for Nozzle Cleaning Instructions.

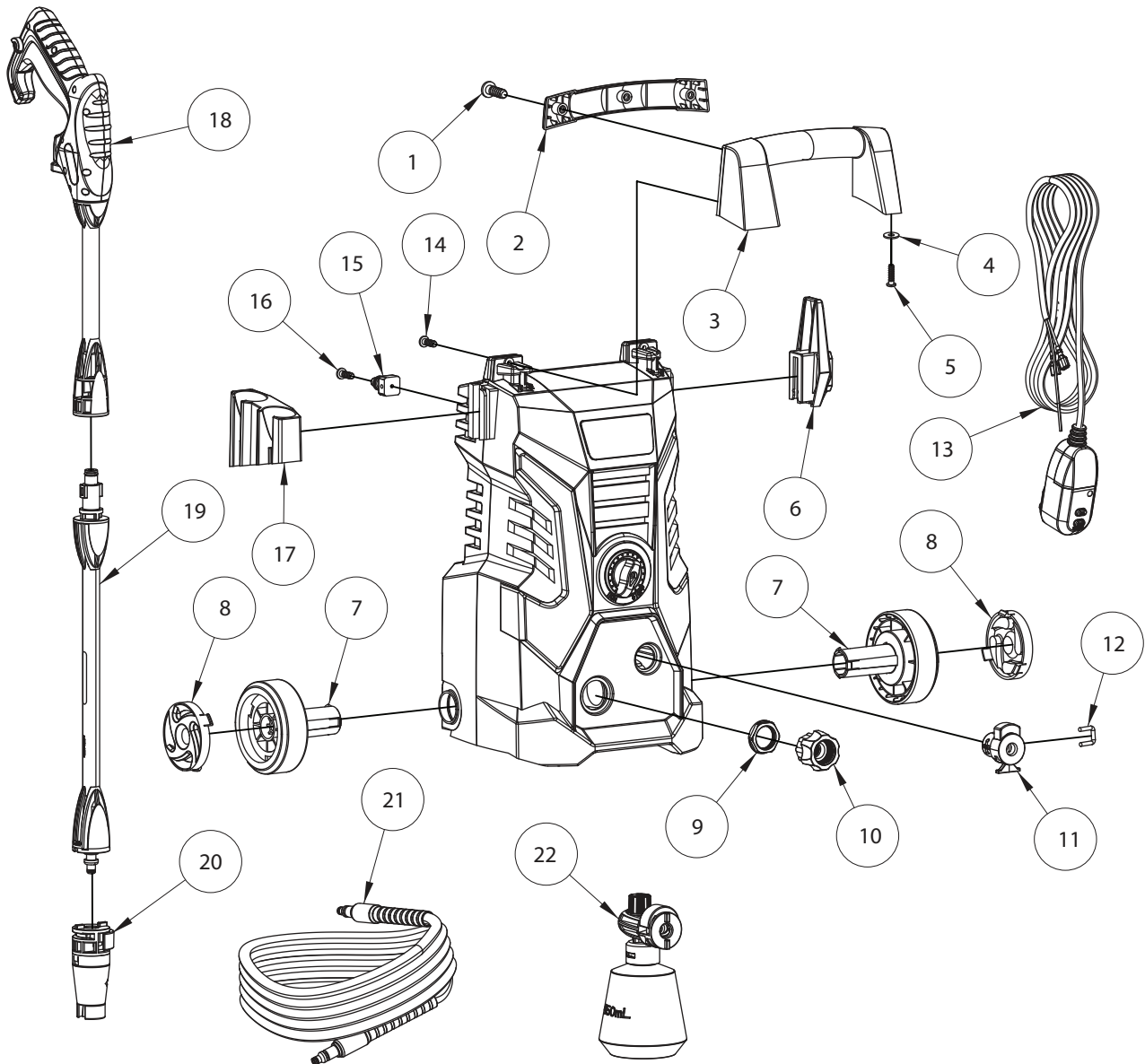
For Replacement Parts or Technical Assistance, Call 1-800-543-6400

Please provide following information:

- Model number
- Serial number (if any)
- Part description and number as shown in parts list

Address any correspondence to:

Campbell Hausfeld
Attn: Customer Service
100 Production Drive
Harrison, OH 45030 U.S.A.



Replacement Parts List

Ref. No.	Description	Part Number	Qty.
1	SELF TAPPING SCREW	--	23
2	SHORT HANDLE COVER	--	1
3	SHORT HANDLE	--	1
4	WASHER	--	2
5	SELF TAPPING SCREW (CROSS HEAD)	--	2
6	BRACKET FOR POWER CORD	--	1
7	WHEEL	■	2
8	WHEEL COVER	■	2
9	INLET NUT	--	1
10	GARDEN INLET FITTING WITH FILTER	--	1
11	OUTLET CONNECTOR ASSEMBLY	▲	1
12	U-PIN	▲	1
13	POWER CORD	--	1
14	SELF TAPPING SCREW	--	4
15	CONNECTOR	●	5
16	SELF TAPPING SCREW	●	5
17	GUN HOLDER	--	1
18	CLEANING GUN	PW083600AV	1
19	LANCE	PW083800AV	1
20	ADJUSTABLE NOZZLE	PW083901AV	1
21	HIGH PRESSURE HOSE	PW083700AV	1
22	DETERGENT BOTTLE	PW084000AV	1
REPLACEMENT PARTS KITS			
▲	OUTLET CONNECT KIT	PW150150AV	
●	CONNECTOR KIT	PW150151AV	
■	GARDEN HOSE CONNECTION KIT	PW150152AV	

REGISTER YOUR PRODUCT ONLINE NOW!
<http://www.campbellhausfeld.com>

Limited Warranty

1. **DURATION:** From the date of purchase by the original purchaser as follows: One Year.
2. **WHO GIVES THIS WARRANTY (WARRANTOR):** Campbell Hausfeld / Scott Fetzer Company, 100 Production Drive, Harrison, Ohio 45030, Telephone: (800) 543-6400.
3. **WHO RECEIVES THIS WARRANTY (PURCHASER):** The original purchaser (other than for purposes of resale) of the Campbell Hausfeld pressure washer.
4. **WHAT PRODUCTS ARE COVERED UNDER THIS WARRANTY:** This PW1501 Campbell Hausfeld Pressure Washer.
5. **WHAT IS COVERED UNDER THIS WARRANTY:** Substantial defects on material and workmanship which occur within the duration of the warranty period with the exceptions noted below. Warrantor will also cover normal wear items for a period of 90 days from the date of original purchase against defects in material and workmanship. These wear items include high pressure hoses, water and oil seals, o-rings, valves, lances, and spray nozzles.
6. **WHAT IS NOT COVERED UNDER THIS WARRANTY:**
 - A. Implied warranties, including those of merchantability and FITNESS FOR A PARTICULAR PURPOSE ARE LIMITED FROM THE DATE OF ORIGINAL PURCHASE AS STATED IN THE DURATION. If this pressure washer is used for commercial, industrial or rental purposes, the warranty will apply for ninety (90) days from the date of purchase. Some States do not allow limitation on how long an implied warranty lasts, so the above limitations may not apply to you.
 - B. ANY INCIDENTAL, INDIRECT, OR CONSEQUENTIAL LOSS, DAMAGE, OR EXPENSE THAT MAY RESULT FROM ANY DEFECT, FAILURE, OR MALFUNCTION OF THE CAMPBELL HAUSFELD pressure washer. Some States do not allow the exclusion or limitation of incidental or consequential damages, so the above limitation or exclusion may not apply to you.
 - C. Any failure that results from shipping damage, accident, purchaser's abuse, neglect or failure to install and operate pressure washer in accordance with instructions provided in the owner's manual(s) supplied with product.
 - D. Pre-delivery service, e.g. assembly, oil or lubricants and adjustment.
 - E. Items or service normally required to maintain the pressure washer.
 - F. Gasoline engine and components are expressly excluded from coverage under this limited warranty. Such components should be returned by the purchaser to the original manufacturer or to its authorized repair stations for service.
 - G. Additional items not covered under the warranty:
 1. Motor brushes (Electric models only).
 2. Cosmetic defects that do not interfere with functionality.
 3. Rusted components.
 4. Pump wear or valve damage caused by using improper oil, oil contamination or by failure to follow proper oil maintenance guidelines.
7. **RESPONSIBILITIES OF WARRANTOR UNDER THIS WARRANTY:** Repair or replace, at Warrantor's option, pressure washer or component which is defective, has malfunctioned and/or failed to conform within duration of the warranty period.
8. **RESPONSIBILITIES OF PURCHASER UNDER THIS WARRANTY:**
 - A. Provide dated proof of purchase and maintenance records.
 - B. Call Campbell Hausfeld (800-543-6400) to obtain your warranty service options. Freight costs must be borne by the purchaser.
 - C. Use reasonable care in the operation and maintenance of the pressure washer as described in the owner's manual(s).
9. **WHEN WARRANTOR WILL PERFORM REPAIR OR REPLACEMENT UNDER THIS WARRANTY:** Repair or replacement will be scheduled and serviced according to the normal work flow at the servicing location, and depending on the availability of replacement parts.

This Limited Warranty applies in the U.S., Canada and Mexico only and gives you specific legal rights. You may also have other rights which vary from state to state or country to country.

REMINDER: Keep your dated proof of purchase for warranty purposes!
Attach it to this manual or file it for safekeeping.

Veillez lire et conserver ces instructions. Lire attentivement avant de commencer à assembler, installer, faire fonctionner ou entretenir l'appareil décrit. Protégez-vous et les autres en observant toutes les informations sur la sécurité. Négliger d'appliquer ces instructions peut résulter en des blessures corporelles et/ou en des dommages matériels ! Conserver ces instructions pour références ultérieures.



Nettoyeur haute Pression à Électrique

ENREGISTREZ VOTRE PRODUIT EN LIGNE MAINTENANT !

<http://www.campbellhausfeld.com>

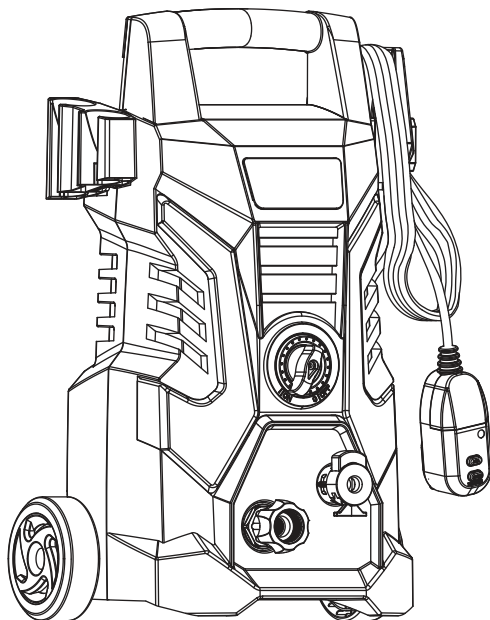


Figure 1 - Modèle PW150100

Description

Ces nettoyeurs électriques haute pression de Campbell Hausfeld sont idéaux pour tout projet de nettoyage domestique. Les unités opèrent sans bruit, efficacement et sans émissions de combustible. Chaque modèle présente une fonction "marche-arrêt immédiat" (ISS), qui arrête le moteur quand le pistolet n'est pas engagé. Cela conserve de l'eau et de l'électricité et rallonge la durée de vie de la pompe.

Les nettoyeurs haute pression sont actionnés par un moteur universel fiable et peuvent être branchés commodément dans les prises de la maison de 120V – 15 ampères. Ce modèle sont homologués ETL pour satisfaire les normes ETL et UL aux États-Unis et au Canada.

LIRE ET SUIVRE TOUTES LES INSTRUCTIONS.

CONSERVER CES INSTRUCTIONS NE LES JETEZ PAS

Directives De Sécurité

Ce manuel contient de l'information très importante qui est fournie pour la SÉCURITÉ et pour ÉVITER LES PROBLÈMES D'ÉQUIPEMENT.

Rechercher les symboles suivants pour cette information.

⚠ DANGER *Danger indique une situation dangereuse imminente qui MÈNERA à la mort ou à des blessures graves si elle n'est pas évitée.*

⚠ AVERTISSEMENT *Avertissement indique une situation potentiellement dangereuse qui, si elle n'est pas évitée, POURRAIT mener à la mort ou à de graves blessures.*

⚠ ATTENTION *Attention indique une situation potentiellement dangereuse qui, si elle n'est pas évitée, PEUT mener à des blessures mineures ou modérées.*

Spécifications

Modèle	Pression	Volt
PW150100	10,342 kPa/ 1500 psi	120

Veillez inscrire le No de modèle et le No de série à utiliser pour contacter le fabricant :

N° de modèle : _____

N° de série : _____

Date d'achat : _____

Lieu d'achat : _____

Pour obtenir de l'information sur le produit, veuillez appeler le 1-800-543-6400.

**MÉMENTO: Gardez votre preuve datée d'achat à fin de la garantie!
Joignez-la à ce manuel ou classez-la dans un dossier pour plus de sécurité.**

LIRE ET SUIVRE TOUTES LES INSTRUCTIONS • CONSERVER CES INSTRUCTIONS • NE PAS JETER

Directives De Sécurité (suite)

AVIS

Avis indique de l'information importante qui pourrait endommager l'équipement si elle n'est pas respectée.

IMPORTANT : Information qui exige une attention spéciale.

Symboles De Sécurité

Les symboles de sécurité suivants apparaissent dans l'ensemble de ce manuel pour vous aviser des dangers et précautions importants de sécurité.



Lire le manuel d'abord



Risque d'explosion



Risque d'incendie



Risque de tomber



Risque de blessure



Protection oculaire et auditive



Risque de choc électrique

Lors de l'utilisation d'outils, des précautions de base devraient toujours être respectées, incluant ce qui suit :

PROPOSITION 65 DE CALIFORNIE

⚠ AVERTISSEMENT

Ce produit ou son cordon d'alimentation peuvent contenir des produits chimiques connus par l'état de la Californie comme pouvant causer le cancer, des malformations congénitales ou d'autres troubles de la reproduction. Se laver les mains après la manipulation.

⚠ AVERTISSEMENT

Vous pouvez créer de la poussière lors de la coupe, le ponçage, le perçage ou le meulage de matériaux comme le bois, la peinture, le métal, le béton, le ciment, ou autre maçonnerie. Cette poussière contient souvent des produits chimiques pouvant causer le cancer, des malformations congénitales ou d'autres troubles de la reproduction. Portez un équipement de protection.



GÉNÉRALITÉ

- Pour réduire les risques de chocs électriques, d'incendie ou de blessures aux personnes, lire toutes les instructions avant d'utiliser l'outil. Ne pas suivre les avertissements, les dangers et les mises en garde pourrait causer la MORT ou de GRAVES BLESSURES.
- Se familiariser avec ce produit, ses commandes et son utilisation. Suivez toutes les instructions. Contacter votre représentant Campbell Hausfeld si vous avez des questions. 1-800-543-6400
- Seules les personnes familières avec ces règles d'utilisation sans danger devraient utiliser cette unité.
- Suivez tous les codes de sécurité ainsi que l'Occupational Safety and Health Act (OSHA).

AIRE DE TRAVAIL

- Gardez le secteur d'opération libre de toutes personnes.
- Garder l'aire de travail propre et bien éclairée. Les établis encombrés et les coins sombres augmentent les risques de chocs électriques, d'incendie et de blessures aux personnes.

- Ne pas faire fonctionner l'outil dans une atmosphère explosive comme en présence de liquides, gaz ou poussières inflammables. L'outil peut produire des étincelles menant à une inflammation de poussières ou de fumées.

- NE pulvériserez JAMAIS de liquides inflammables et n'utilisez jamais le pulvérisateur haute pression dans des endroits contenant de la poussière, des liquides ou des vapeurs combustibles.



- Ne faites jamais fonctionner cet appareil dans un édifice fermé ou dans ou près d'un environnement explosif.



SÉCURITÉ PERSONNELLE

- Rester vigilant. Il faut regarder ce que vous faites et utiliser son sens commun en faisant fonctionner un outil. Ne pas faire fonctionner l'appareil si vous êtes fatigué ou sous l'influence de drogues, d'alcool ou de médicaments. Un moment d'inattention en faisant fonctionner l'outil augmente le risque de blessures.
- Il faut s'habiller correctement. Fermer les orteils chaussures (pas de tongs) Ne pas porter de bijoux ou de vêtements amples. Attacher les cheveux longs. Garder les cheveux, les vêtements et les gants loin des pièces mobiles. Les vêtements amples, les bijoux ou les cheveux longs augmentent le risque de blessures si quelque chose se prend dans les pièces mobiles.
- Ne pas trop se pencher. Garder bon pied et bon équilibre en tout temps. Ceci permet d'avoir un meilleur contrôle de l'outil dans les situations imprévues.



⚠ AVERTISSEMENT

Risque d'injection ou de blessures graves. Restez loin du gicleur. Ne déchargez pas de jets vers les personnes. Ce produit doit être utilisé seulement par un opérateur formé. Retirez toujours la tige du pistolet avant de nettoyer les débris de l'embout.



- Restez loin du gicleur. NE dirigez JAMAIS le jet haute pression vers une personne, un animal, ou vous-même.
- Ne mettez jamais la main ou les doigts sur l'embout de pulvérisation en opérant l'appareil.
- N'essayez jamais d'arrêter ou de dévier les fuites vers toute partie du corps.

⚠ AVERTISSEMENT

S'assurer que l'outil n'est utilisé que lorsque l'opérateur et tout autre personnel dans l'aire de travail portent un équipement de protection oculaire ANSI Z87, et s'il y a lieu, d'autre équipement de protection approprié comme une protection de la tête, auditive, des gants, des bottes de caoutchouc, des vêtements protecteurs en utilisant et exécutant la maintenance. De graves blessures oculaires ou une perte auditive permanente pourraient en résulter.



SÉCURITÉ ÉLECTRIQUE

⚠ AVERTISSEMENT

Risque d'électrocution :

- Ce produit est fourni avec un disjoncteur de fuite à la terre intégré dans la prise du cordon. Assurez-vous d'inspecter le cordon et le disjoncteur de fuite à la terre avant de l'utiliser. Toute réparation ou tout remplacement du cordon doit se faire par un technicien électrique qualifié (agrée ou certifié). S'il faut remplacer la fiche ou le cordon, utilisez seulement des pièces de rechange identiques.
- NE JAMAIS utiliser de rallonge avec ce produit.



Directives De Sécurité (suite)

- c. Inspecter le cordon avant d'utiliser l'appareil - Ne pas utiliser si le cordon est endommagé.
- d. Garder toutes les connexions électriques sèches et loin du sol.
- e. Ne pas toucher la fiche avec les mains humides.
- f. Ne pas pulvériser d'appareils électriques et de câblage.

UTILISATION ET ENTRETIEN DE L'OUTIL

AVERTISSEMENT *N'utilisez pas de pression qui dépasse la pression d'exploitation de toute pièce (flexibles, raccords, etc.) du système sous pression. Assurez-vous que tout équipement et accessoires sont du calibre voulu pour résister à la pression d'exploitation maximum de l'appareil.*

- a. Il faut entretenir l'outil avec soin. Un outil bien entretenu réduit le risque de problèmes et est plus facile à contrôler.
- b. Assurez-vous que tous les dispositifs de sécurité fonctionnent correctement avec chaque utilisation. NE retirez PAS et ne modifiez pas toute pièce du pistolet ou de l'appareil.
- c. Ne jamais faire fonctionner la machine sans les appareils branchés correctement la machine (poignée, Assemblée de pistolet/lance, buse, etc..).
- d. Pointer le pistolet dans une direction sans danger. L'unité commencera à pulvériser lorsque la gâchette est pressée si l'interrupteur « marche/arrêt » est à la position « ON » (Pulvérisateur à pression (marche)).
- e. Sachez comment arrêter ce produit et dégager rapidement la pression. Soyez bien au fait des contrôles.
- f. Engagez toujours le verrou de sécurité de la gâchette en position sûre à la fin de la pulvérisation même si ce n'est que pour quelques instants.
- g. N'engagez jamais en permanence le mécanisme de la gâchette sur le pistolet.
- h. Suivez toujours les recommandations du fabricant de détergents pour la bonne utilisation du produit. Protégez toujours les yeux, la peau et le système respiratoire du détergent.
- i. Ne débranchez jamais le flexible de décharge de haute pression de la machine tandis que le système est sous pression. Pour décompresser, coupez le courant et l'eau, puis pressez la gâchette du pistolet 2 ou 3 fois.
- j. Débrancher l'appareil lorsqu'il n'est pas utilisé.
- k. Suivez les instructions d'entretien spécifiées dans le manuel.

AVIS**Dommmage à l'équipement.**

- l. Mettez TOUJOURS l'eau à "ON" avant de mettre le pulvérisateur haute pression en marche "ON". **Faire** fonctionner la pompe à sec cause de graves dommages.
- m. Ne faites pas fonctionner le pulvérisateur haute pression avec l'écran d'entrée d'eau retiré. Gardez l'écran libre de tous débris et sédiments.
- n. NE faites JAMAIS fonctionner le pulvérisateur haute pression avec des pièces brisées ou manquantes. Vérifiez régulièrement l'équipement et réparez immédiatement toutes pièces usées ou endommagées.
- o. Utilisez seulement le gicleur fourni avec l'appareil.
- p. Ne laissez jamais la rallonge sans surveillance tandis que la machine est en marche.
- q. Tenez toujours le pistolet et la rallonge bien fermement en démarrage et en faisant fonctionner l'appareil.

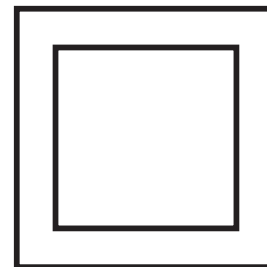
- r. Ne laissez JAMAIS l'appareil fonctionner avec la gâchette dégagée (arrêt) pendant plus d'une minute. L'accumulation de chaleur pourrait endommager la pompe.
- s. NE rangez JAMAIS le pulvérisateur haute pression à l'extérieur ou à des endroits où il pourrait geler. Le gel peut endommager gravement la pompe.
- t. Le pulvérisateur à pression n'est pas conçu pour pomper l'eau chaude. Ne pas brancher à l'alimentation d'eau chaude.

SERVICE

- a. En réparant ou faisant l'entretien d'un outil, utiliser seulement des pièces de rechange identiques. Utiliser seulement des pièces autorisées.

Entretien d'un Appareil à Double Isolation

Dans un appareil à double isolation, deux systèmes d'isolation sont fournis à la place d'une mise à la terre. Aucun système de mise à la terre n'est fourni sur un appareil à double isolation et aucun moyen de mise à la terre ne doit y être ajouté. Faire l'entretien d'un appareil à double isolation demande des soins attentifs et une connaissance parfaite du système et ne sera exécuté que par des personnes compétentes. Les pièces de rechange pour un appareil à double isolation doivent être identiques aux pièces qu'elles remplacent. Un appareil à double isolation doit porter l'inscription « DOUBLE ISOLATION » (Double Insulated). Le symbole peut aussi se trouver sur l'appareil.

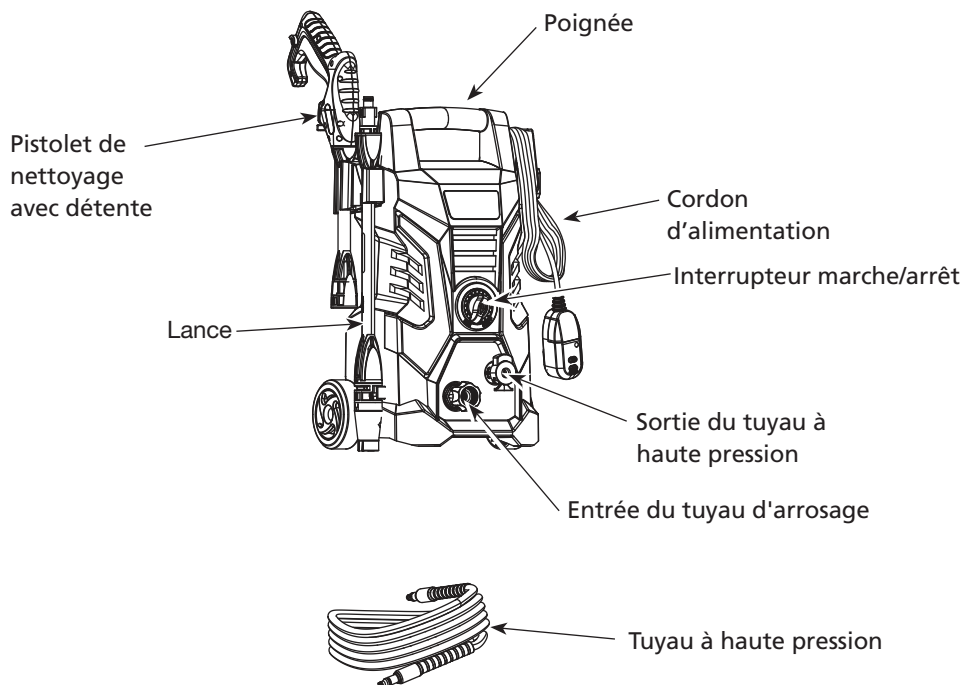


Symbole de double isolement

TNOTE : Les symboles **DANGER, AVERTISSEMENT, ATTENTION ET AVIS** ainsi que les instructions de ce manuel ne peuvent pas couvrir toutes les conditions et situations qui pourraient se produire. L'opérateur doit comprendre que le bon sens et des précautions sont des facteurs qui ne peuvent pas être inclus dans ces produits, mais doivent être fournis par l'opérateur.

**CONSERVER CES INSTRUCTIONS
NE LES JETEZ PAS**

Déballage



Dès que l'appareil est déballé, inspectez-le attentivement pour tout signe de dommages en transit. Vérifiez s'il y a des pièces desserrées, manquantes ou endommagées. Assurez-vous de resserrer tous les raccords, boulons, etc. avant d'utiliser la laveuse à pression. Vérifiez pour vous assurer que tous les accessoires fournis sont inclus avec l'appareil. S'il manque toute pièce, NE RETOURNEZ PAS L'APPAREIL AU DÉTAILLANT. Consultez le numéro de modèle de l'appareil (sur l'étiquette du numéro de série du cadre de la laveuse à pression) et appelez le 1-800-543-6400 pour les pièces de rechange.

⚠ AVERTISSEMENT *Ne faites pas fonctionner l'appareil s'il est endommagé pendant l'expédition, la manipulation ou l'utilisation. Des dommages peuvent mener à l'éclatement et provoquer des blessures ou des dommages à la propriété.*

UTILISATIONS RECOMMANDÉES POUR CETTE LAVEUSE À PRESSION

- ◆ Terrasse
- ◆ Revêtement
- ◆ Véhicules
- ◆ Gouttières (avec buse à angle droit)

AUTRES ARTICLES NON INCLUS

- ◆ ANSI Z87 Protection oculaire
- ◆ Boyau d'arrosage

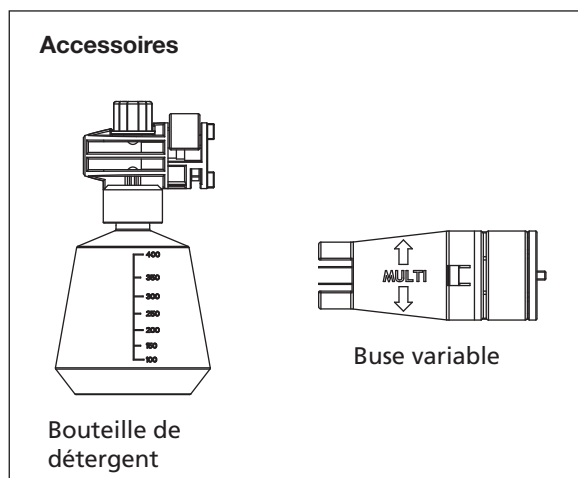


Figure 2 - Composants de laveuse à pression

ASSEMBLAGE ET PRÉOPÉRATION**AVIS**

Assurez-vous toujours que le tuyau d'arrosage est allumé avant d'allumer le nettoyeur haute pression. Faire marcher le nettoyeur haute pression à sec endommagera les joints de la pompe.

AVIS

Ne démontez pas la lance ou le pistolet de ce nettoyeur haute pression. Des pièces de rechange ne sont pas disponibles pour le pistolet ou la lance.

PW150100

1. Fixer le tuyau à haute pression à la sortie de haute pression (voir la figure 3).
2. Fixer le tuyau à haute pression au pistolet (voir la figure 4).
3. Fixer la lance au pistolet, tourner et verrouiller. Fixer la buse ou la bouteille de détergent à la lance en appuyant le bouton de raccord facile et en l'insérant dans le connecteur rapide de la lance (voir les figures 5, 6 et 7).
4. Fixer le tuyau de jardin à l'unité (voir la figure 8).
5. Appuyer sur le bouton de raccord facile tout en insérant le raccord de branchement rapide (voir les figures 3, 4, 6 et 7).

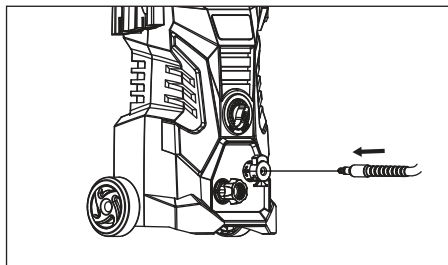


Figure 3 - Fixer le tuyau à haute pression à la sortie de haute pression

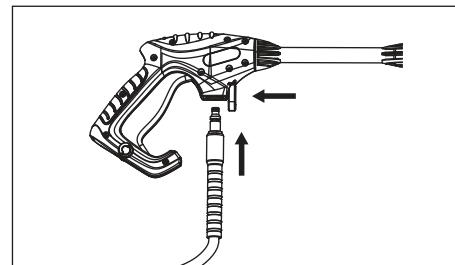


Figure 4 - Fixer le tuyau à haute pression au pistolet

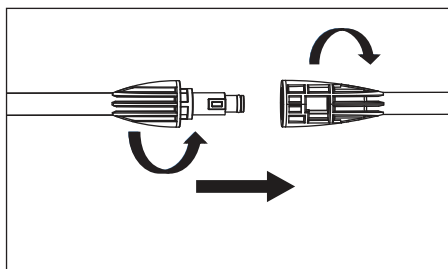


Figure 5 - Fixer la lance au pistolet

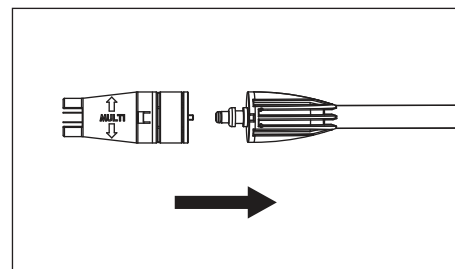


Figure 6 - Fixer la buse à la lance

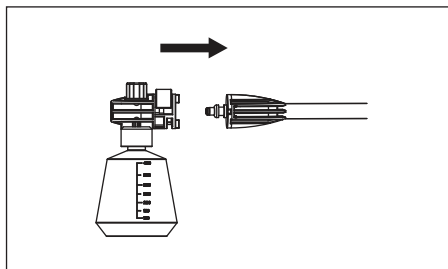


Figure 7 - Fixer la bouteille de détergent à la lance

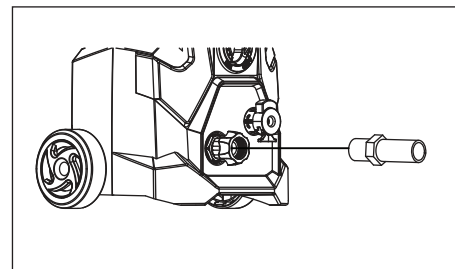


Figure 8 - Fixer le tuyau de jardin à l'unité

ASSEMBLAGE ET PRÉOPÉRATION (SUITE)

VERROU DE SÉCURITÉ DE LA GÂCHETTE

En position engagée, le verrou de sécurité de la gâchette empêche le déclenchement accidentel du pistolet. Poussez entièrement le verrou vers le bas pour l'engager (voir les figures 9).

Engagez toujours le verrou de sécurité de la gâchette lorsque vous n'utilisez pas l'appareil.

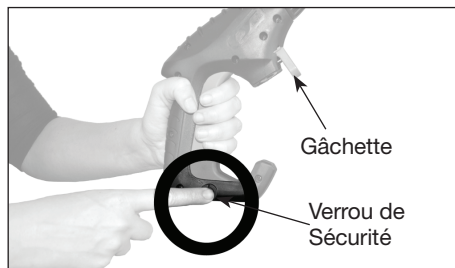


Figure 9 - Verrou de sécurité de la gâchette

FONCTIONNEMENT

IMPORTANT !

Ce pulvérisateur de lavage est équipé d'un microinterrupteur sensible au débit d'eau. Cet interrupteur de Marche/Arrêt Instantané (Instant Start/Stop - ISS) est sensible au débit d'eau dans la pompe. Quand la gâchette est lâchée, le débit d'eau à travers la pompe s'arrête. Le ISS coupe le moteur automatiquement afin de protéger la pompe contre le surchauffage.

FONCTIONNEMENT

1. Faire circuler l'eau.
2. Tirez la gâchette du pistolet.
3. Tourner l'interrupteur à « ON » (en marche)
4. Lâcher la gâchette. Le moteur du pulvérisateur de lavage s'arrêtera.
5. Pour pulvériser de nouveau, tirer sur la gâchette. Le moteur et la pompe se remettront en marche.

REMARQUE: Le moteur pourrait fonctionner de temps en temps afin de fournir de l'eau fraîche à la pompe (même si la gâchette n'est pas actionnée). Ceci est normal et n'endommagera pas le modèle.

ATTENTION *Toujours tourner l'interrupteur « ON/OFF » (marche/arrêt) à la position « OFF » (arrêt), et ensuite appuyer sur la gâchette pour dissiper la pression avant de débrancher le cordon d'alimentation.*

ATTENTION *Risque de dommage à l'équipement. Assurez-vous toujours que l'interrupteur ON/OFF (MARCHÉ/ARRÊT) de l'appareil est en position « OFF » et que l'appareil est débranché avant de le ranger.*

AVERTISSEMENT *Risque d'injection. Le modèle pulvérisera lorsque la gâchette est actionnée si l'interrupteur « ON/OFF » (MARCHÉ/ ARRÊT) est dans la position « ON » (EN MARCHÉ). Toujours pointer le pistolet dans une direction hors de danger.*

PRÉPARATION DE LA SURFACE

La procédure de nettoyage suivante vous aide à vous organiser pour la tâche de nettoyage et pour vous assurer d'atteindre les meilleurs résultats dans le temps le plus court. GALLONS À LA MINUTE (G/MIN), plus d'eau à la minute peut se traduire par un nettoyage plus rapide, tout particulièrement en lavant des matériaux comme la boue et le goudron. DISJONCTEUR DE FUITE À LA TERRE (GFCI), le disjoncteur de fuite à la terre protège l'utilisateur de toute électrocution accidentelle (pour les laveuses à pression alimentées par l'électricité seulement).

Rappelez-vous d'utiliser les techniques de pulvérisation/nettoyage mentionnées dans les sections suivantes.

Avant de commencer un travail de nettoyage à haute pression, préparez la surface à nettoyer. Enlevez les meubles et assurez-vous que toutes les fenêtres et portes sont bien fermées. Protégez aussi toutes vos plantes et arbres près du secteur à nettoyer en couvrant d'une toile pour ne pas les pulvériser de détergent.

DÉMARRAGE

Utilisez TOUJOURS cette procédure de démarrage pour assurer un démarrage exact et sans danger.

AVIS

Si l'eau a gelé dans le pulvérisateur à haute pression, laissez-la dégeler à température ambiante avant de commencer. NE versez PAS d'eau chaude sur ou dans la pompe; les pièces intérieures seraient endommagées. Vérifier les fuites.

1. Assurez-vous que l'interrupteur de courant est à la position « OFF » (arrêt).
2. Fixez un tuyau d'arrosage côté entrée de la pompe et raccordez-le à l'alimentation d'eau. Utilisez un flexible de D.I. de 5/8 po et d'une longueur de 50 pi (15 m) ou moins.

AVERTISSEMENT *Certains codes de plomberie locaux exigent un dispositif de prévention de retour d'eau en connectant à une source d'eau fraîche. Installez un dispositif de prévention de retour en amont de la pompe, au besoin.*

- a. Si la pression d'eau d'alimentation dépasse 690 kPa, installez une soupape régulatrice d'eau au raccord du tuyau d'arrosage.
- b. Ne dépassez pas 38° C de température d'eau d'alimentation.

NOTE : L'approvisionnement d'eau d'alimentation doit avoir un débit minimum de 19 lpm.

3. Ouvrez l'alimentation d'eau.

AVIS

Ne laissez jamais l'appareil fonctionner à sec. Assurez-vous que l'alimentation d'eau est en marche avant de faire fonctionner l'appareil.

4. Enfoncez et tenez la gâchette du pistolet jusqu'à ce que la pulvérisation d'eau de la buse indique que tout l'air est sorti du système. Placez le verrou de sécurité de gâchette.
5. Branchez le cordon d'alimentation dans une prise de courant de 120 volts mise à la terre qui est sur un circuit réservé. Ne pas utiliser de rallonges. Enfoncez le bouton de réinitialisation sur l'adaptateur de fiche à disjoncteur de fuite à la terre. Vous devez faire cela chaque fois que l'appareil est branché dans une prise. (Figure 10)

FONCTIONNEMENT (SUITE)

BRANCHEMENT DU SYSTÈME

1. Branchez le cordon dans la prise mise à la terre de 120V.
2. Faire circuler l'eau.
3. Déverrouiller le verrou de la gâchette en déplaçant le verrou de droite à gauche.
4. Appuyer sur et tenir la gâchette du pistolet pendant une minute afin de dissiper la pression et d'enlever l'air emprisonné dans le système.
5. Tourner l'interrupteur « ON » (en marche).

RINÇAGE INITIAL À HAUTE PRESSION

Pulvériser d'eau la surface à nettoyer pour enlever toute poussière ou saleté accumulée sur la surface. Ceci permet au détergent de s'attacher à la poussière en profondeur qui a pénétré dans la surface à nettoyer.

Enfoncer la gâchette du pistolet 3 à 5 fois pour sortir tout air enfermé dans le système.

Ajuster l'angle d'éventail de pulvérisation

1. Durant le travail, la lance est affectée par la pression ; alors, il faut la tenir fermement à deux mains et pointer la buse vers le plancher.
2. Activer en tirant de la gâchette du pistolet pulvérisateur/poignée.
3. Ajustez la distance selon la surface à nettoyer ; ceci réglera aussi la pression de l'embout.
4. Le motif de pulvérisation et l'intensité peuvent être changés en tournant la buse de pulvérisation au bout de la lance (voir la figure 11 & 12). Pour empêcher toute blessure, ne jamais mettre les mains devant la lance.

La pression peut être ajustée en rapprochant ou en s'éloignant des surfaces de nettoyage et en ajustant l'angle de l'éventail du jet, comme indiqué.

ANGLE À LA SURFACE DE NETTOYAGE

Lors de la pulvérisation de l'eau sur une surface, vous pouvez générer un impact maximum en frappant directement la surface. Cependant, ce type d'impact peut causer l'enfoncement des particules de saleté dans la surface et peut entraver le nettoyage.

L'angle optimal pour l'enlèvement efficace des débris est de pulvériser de l'eau à 45 degrés contre la surface à nettoyer. (Figure 13)

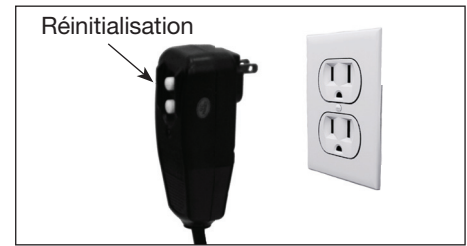


Figure 10 - Prise de terre/bouton de réinitialisation

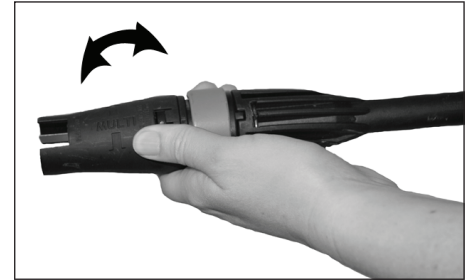


Figure 11 - Réglage de pulvérisation

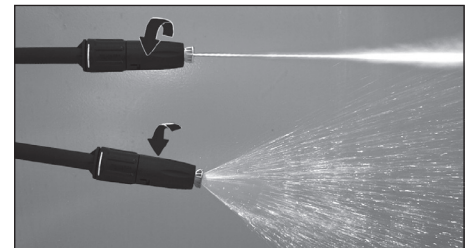


Figure 12 - Ajustez le motif de pulvérisation



Figure 13 - Angle optimum par rapport à la surface à nettoyer

FONCTIONNEMENT (SUITE)

Angle à la surface de nettoyage

En pulvérisant l'eau contre une surface, vous pouvez obtenir un impact maximum en frappant la surface directement. Ce type d'impact peut toutefois faire pénétrer les particules de poussières dans la surface et ainsi empêcher d'avoir l'action recherchée.

L'angle optimum de pulvérisation d'eau contre une surface de nettoyage est de 45 degrés.

Pulvérisez l'eau contre une surface à un angle de 45 degrés pour atteindre le meilleur impact et retirer efficacement les débris.

Distance de la surface à nettoyer

La distance entre l'embout de pulvérisation et la surface de nettoyage est un autre facteur qui affecte la force d'impact de l'eau. La force d'impact de l'eau augmente lorsque l'embout se rapproche de la surface.

Comment éviter d'endommager les surfaces

Les dommages aux surfaces à nettoyer se produisent à cause de la force d'impact de l'eau qui dépasse la durabilité de la surface. Vous pouvez varier la force d'impact en contrôlant l'angle de la buse de pulvérisation sur la surface de nettoyage et la distance de la surface de nettoyage et en changeant de buse de pulvérisation. N'utilisez JAMAIS de jet étroit à fort impact sur une surface qui pourrait être endommagée. Évitez de pulvériser les fenêtres avec un jet étroit à fort impact. Ceci pourrait casser la fenêtre. Le meilleur moyen d'éviter d'endommager les surfaces est de suivre ces étapes :

1. Avant de tirer le pistolet, assurez-vous que la buse à raccordement rapide que vous utilisez est appropriée pour l'application.
2. Placez la buse de pulvérisation à environ 1,22 à 1,52 m (4 à 5 pieds) de la surface de nettoyage. Tenez ensuite la lance et la buse de pulvérisation à un angle de 45 degrés sur la surface de nettoyage. Tirer de la gâchette du pistolet.
3. Variez l'angle du jet à éventail et la distance à la surface à nettoyer jusqu'à ce que vous atteigniez l'efficacité optimale de nettoyage sans endommager la surface.

APPLICATION DE DÉTERGENT

NOTE : Utilisez seulement les détergents formulés pour les pulvérisateurs haute pression. Testez le détergent dans un endroit retiré avant de l'utiliser. NE PAS utiliser de javellisant dans la laveuse à pression.

Détergents

Utiliser des détergents peut réduire de beaucoup le temps de nettoyage et aider à retirer les taches rebelles. De nombreux détergents sont faits pour le pulvérisateur haute pression pour des tâches de nettoyage précises. Les détergents de pulvérisateur haute pression sont aussi épais que l'eau. Le fait d'utiliser des détergents plus épais - comme le savon de vaisselle - bloquera le système d'injection chimique et empêchera l'application de détergent.

Appliqués sur la surface, les détergents prennent du temps pour s'attaquer à la poussière et à la saleté. Les détergents fonctionnent mieux appliqués à basse pression.

Vous pouvez nettoyer efficacement les surfaces en combinant l'action chimique des détergents avec les rinçages à haute pression. Pour les surfaces verticales, appliquez le détergent en commençant au bas pour aller vers le haut. La méthode empêche le détergent de glisser vers le bas et de faire des coulisses. Commencez le rinçage haute pression au bas et allez vers le haut. Pour les taches particulièrement rebelles, utilisez une brosse en plus des détergents et du rinçage haute pression.

1. Suivez les directives du fabricant sur l'étiquette pour les bonnes concentrations de mélange de savon/détergents. La proportion de détergent savon à eau dans la pompe est d'environ 10% (1 à 10).
 - ◆ PW150100: Versez du savon dans le récipient à savon. Ajustez la lance selon la position du savon. Tourner à basse pression (Figure 13)

Conseils Généraux de Nettoyage

1. Appliquez le détergent pour couvrir entièrement la surface à nettoyer, de bas en haut pour éviter qu'il ne glisse vers le bas et fasse des marques. Attendez quelques minutes pour que le détergent s'attaque à la poussière et à la saleté. Utilisez une brosse pour frotter un peu les endroits rebelles. Ne laissez jamais le détergent sécher sur la surface à nettoyer.
2. Rincer à haute pression

PUISSANCE DE NETTOYAGE

Le moyen le plus facile de contrôler la puissance de nettoyage de votre nettoyeur à pression est de changer la distance de la surface à nettoyer. Commencez à pulvériser avec un motif large d'éventail tout en vous plaçant à quelques pieds de la surface. Rapprochez-vous lentement de l'objet que vous nettoyez et ajustez le motif de pulvérisation au besoin jusqu'à ce que vous trouviez la technique de nettoyage la plus efficace.

DERNIER RINÇAGE

Le dernier rinçage devrait commencer du bas vers le haut. Assurez-vous de bien rincer toute la surface et de retirer toute trace de détergent.

PROCÉDURE DE DÉCOMPRESSION

Pour réduire les risques de blessures ou de dommages à la propriété, suivez toujours cette procédure lorsque la pulvérisation est arrêtée, à la fin du travail et avant de vérifier ou réparer toute pièce du système.

1. Engagez le verrou de sécurité de la gâchette.
2. Fermez l'appareil.
3. Coupez l'alimentation d'eau.
4. Désengagez le verrou de sécurité de la gâchette et pressez sur la gâchette pour décompresser.
5. Réengagez le verrou de sécurité de la gâchette.
6. En vérifiant ou réparant l'appareil, retirez la fiche de la prise murale du mur.
7. Avant de ranger pour la nuit, un rangement à long terme ou le transport de l'appareil, coupez de l'alimentation d'eau.

ARRÊT

1. Assurez-vous que tout le détergent est vidé du système.
2. Coupez le moteur.
3. Fermez l'alimentation d'eau.

FONCTIONNEMENT (SUITE)

- Après avoir coupé le moteur et l'alimentation d'eau, engagez le pistolet pour retirer la pression du système.

AVIS

NE fermez jamais l'alimentation d'eau avant de couper le moteur. Cela pourrait endommager la pompe et/ou moteur.

ATTENTION

NE déconnectez jamais le flexible de décharge de haute pression de l'appareil tandis que le système est sous pression. Décompressez en coupant le moteur, fermant l'alimentation d'eau et pressant la gâchette 2 ou 3 fois.

- Après chaque utilisation, essuyez les surfaces du pulvérisateur haute pression avec un chiffon propre et humide.

RANGEMENT

- Ne rangez pas le pulvérisateur haute pression à l'extérieur.
- Ne rangez pas le pulvérisateur haute pression à un endroit où il pourrait geler à moins de le préparer pour l'hiver.

Instructions Pour L'hiver

- Déconnectez le flexible haute pression de la pompe.
- Insérez une longueur de tuyau d'arrosage de 12 à 14 po dans l'entrée de la pompe.
- Placez un entonnoir dans l'autre extrémité du tuyau d'arrosage.

AVIS

Lisez les instructions du fabricant pour manipuler et éliminer correctement l'antigel RV.

- Versez environ 0,18 L d'antigel RV dans l'entonnoir.
- Secouez un peu l'interrupteur marche/arrêt jusqu'à ce que l'antigel RV sorte de la sortie de la pompe.
- Déconnectez le flexible haute pression du pistolet et drainez le flexible. Tenez le pistolet et la tige en position verticale et pressez la gâchette pour drainer toute l'eau.

INSTRUCTIONS DE NETTOYAGE DE L'EMBOUT

Un embout bloqué ou partiellement bloqué peut provoquer une réduction prononcée d'eau sortant de l'embout et alors l'appareil aura une pulsion en pulvérisant.

Pour nettoyer l'embout :

- Éteindre l'appareil.
- Éteindre l'alimentation d'eau. Dégager toute pression dans le tuyau en pressant la gâchette 2 à 3 fois.
- Retirer la lance du pistolet.
- Tourner l'embout à un réglage de jet étroit. Ceci ouvre les lames en éventail.
- Utiliser le nettoyeur de buse inclus ou un trombone déplié et insérer le fil dans le trou de l'embout pour ensuite utiliser un

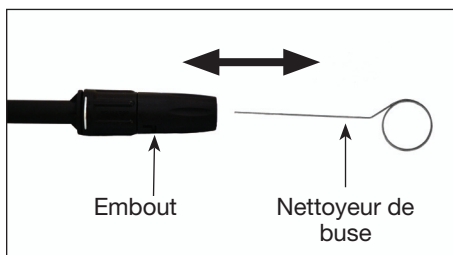


Figure 14

mouvement de va et vient jusqu'à ce que les débris soient débloqués (se reporter à la figure 14).

- Retirer tous autres débris en rinçant l'embout avec de l'eau. Pour ce faire, retirer la lance du pistolet, mettre l'extrémité du tuyau d'arrosage (l'eau courant) contre l'extrémité de la buse pour pousser l'eau et les débris hors de l'ouverture arrière de la lance.

CONSEILS POUR PROLONGER LA DURÉE DE VIE DE VOTRE PULVERIZATEUR HAUTE PRESSION

- Ne faites jamais fonctionner l'appareil sans eau.
- Votre pulvérisateur haute pression ne doit pas pomper d'eau chaude. Ne connectez jamais votre pulvérisateur haute pression à une source d'eau chaude car cela réduira de beaucoup la vie de la pompe.
- Faire fonctionner l'appareil pendant plus d'une minute sans pulvériser d'eau fera accumuler la chaleur dans la pompe. Faire fonctionner l'appareil sans pulvériser d'eau pourrait endommager les composants de la pompe.

ENTRETIEN

Respectez les intervalles d'entretien régulier pour assurer une performance maximum et une longue durée de vie du pulvérisateur. Reportez-vous à l'horaire d'entretien recommandé. Si vous faites fonctionner votre pulvérisateur haute pression dans des conditions poussiéreuses, faites les vérifications d'entretien plus souvent.

HORAIRE D'ENTRETIEN

Horaire d'entretien	Action nécessaire
Chaque jour	Vérifiez le tamis d'entrée d'eau et le filtre

INFORMATION TECHNIQUE ET POUR LES CONSOMMATEURS

Laveuses à pression à orientation horizontale	
Aspiration de détergent de la pompe	
Rapport d'eau à détergent	10 à 1 (10 % détergent)
Exigences d'alimentation d'air	
Pression d'entrée minimale	138 kPa (20 lb/po ²)
Pression d'entrée maximale	690 kPa (100 lb/po ²)
Température d'entrée maximale	37,7 °C (100 °F)
Débit d'entrée minimal	5 g/min (19 l/min)
Taille de boyau d'arrosage d'entrée	15,9 mm (5/8 po) de D.I.
Longueur de boyau d'arrosage d'entrée maximale	15,24 m (50 pi)

Guide De Dépannage

Symptôme	Cause(s) possible(s)	Action corrective
Faible pression et/ou pompe tourne de manière irrégulière	<ol style="list-style-type: none"> 1. Embout usé 2. Filtre d'entrée de la pompe bloquée 3. Entrée restreinte 4. Fuite de flexible haute pression 5. Pompe aspire de l'air 	<ol style="list-style-type: none"> 1. Remplacez en utilisant un embout 2. Nettoyez. Vérifiez plus souvent 3. Vérifiez le tuyau d'arrosage qui pourrait être enfoncé ou tortillé. Vérifiez le débit d'eau d'entrée 4. Remplacez le flexible haute pression 5. Assurez-vous que les tuyaux et raccords soient bien serrés
Forte pompage à l'entrée et faible pression	Particules étrangères dans la soupape d'entrée ou de décharge ou soupapes de décharge et/ou entrée usées	Appelez 1-800-543-6400
Pression fluctuante	<ol style="list-style-type: none"> 1. Pompe aspire de l'air 2. Embout bloqué 	<ol style="list-style-type: none"> 1. Assurez-vous que les flexibles et raccords sont serrés. Drainez l'air du tuyau d'arrosage 2. Nettoyer ou remplacer.
Chutes de pression après la période d'utilisation normale	Gicleur usé	Vérifiez et remplacez
Laveuse à pression ne démarre pas	<ol style="list-style-type: none"> 1. Le disjoncteur de fuite à la terre s'est déclenché. 2. La fiche n'est pas bien branchée ou la prise électrique est défectueuse 3. Rallonge trop (voir page 17Fr chiffre de sécurité électrique b) ou taille du fil trop petite 4. Alimentation de tension principale trop basse 5. L'interrupteur de sécurité thermique a été déclenché 	<ol style="list-style-type: none"> 1. Enfoncez le bouton de réinitialisation sur la fiche 2. Vérifiez la fiche, la douille et les fusibles 3. Retirez la rallonge, NE JAMAIS utiliser de rallonge avec ce produit. 4. Vérifier que la tension d'alimentation principale est suffisante 5. Éteignez l'appareil et laissez le moteur refroidir
Le moteur s'arrête soudainement	<ol style="list-style-type: none"> 1. Rallonge trop (voir page 17Fr chiffre de sécurité électrique b) ou taille du fil trop petite 2. L'interrupteur de sécurité thermique a été déclenché à cause de surchauffe 	<ol style="list-style-type: none"> 1. Retirez la rallonge NE JAMAIS utiliser de rallonge avec ce produit. 2. Vérifiez que la tension d'alimentation principale correspond aux spécifications
L'appareil commence à fumer	Moteur surchauffé, surchargé ou endommagé	Éteignez l'appareil et appelez 1-800-543-6400
Pompe bruyante/pompe fonctionne de manière irrégulière	<ol style="list-style-type: none"> 1. Pompe aspire de l'air/faible alimentation d'eau 2. Eau trop chaude 	<ol style="list-style-type: none"> 1. Assurez-vous que les raccords sont bien serrés. Augmentez la pression d'eau 2. Réduisez la température sous 38°C
Ne tire pas de détergent	En n'utilisant pas la position du savon	Ajustez l'embout à la position du savon
Le moteur ne démarre pas	La gâchette du pistolet n'est pas tirée au commencement	<ol style="list-style-type: none"> 1. Coupez l'alimentation d'eau. Débranchez le tuyau d'arrosage et le tuyau haute pression noir de l'unité. Ceci soulagera toute pression de la pompe. 2. Branchez l'unité à la prise électrique. Assurez-vous que l'interrupteur du compresseur est en position de OFF (arrêt).

Suite à la page suivante

Guide De Dépannage (Suite)

Symptôme	Cause(s) possible(s)	Action corrective
Le moteur ne démarre pas (Suite)	La gâchette du pistolet n'est pas tirée au commencement	<ol style="list-style-type: none"> Si votre unité est équipée d'une prise de courant GFCI, poussez le bouton supérieur, puis le bouton inférieur et ensuite le bouton supérieur de nouveau. Vous devriez voir une lumière s'allumer au-dessus de ces boutons. Si aucune lumière rouge ne s'allume, vous ne recevez pas d'électricité dans l'unité. L'unité peut être amenée à un centre de service pour être réparée. Branchez l'alimentation d'eau derrière l'unité et allumez l'eau. Appuyez le sur le bouton et voyez si l'unité s'allume. Si l'unité s'allume, arrêtez l'eau et éteignez l'unité, attachez le pistolet et le tuyau et référez vous à l'étape 5. Avec l'unité en position d'arrêt, tirez la gâchette du pistolet et assurez-vous qu'un filet d'eau en sorte. Gardez la gâchette enfoncée en allumant l'unité.
Essai en basse pression	Problèmes associés à la pompe, le pistolet ou la lance	<ol style="list-style-type: none"> Retirez le tuyau haute pression noir du nettoyeur haute pression. Attachez le tuyau d'arrosage. Ouvrir l'alimentation d'eau. L'eau devrait s'écouler à travers la rondelle de pression. Allumez le nettoyeur pression. L'eau devrait être éjectée à 2.4-3 mètres (8-10 pieds) de la pompe depuis le conduit d'où le tuyau haute pression est accroché. Si l'eau est éjectée à 2.4-3 mètres (8-10 pieds), la pompe fonctionne donc correctement. Si cela n'est pas le cas, la pompe a donc besoin d'être nettoyée. Éteignez le nettoyeur haute pression et appelez le support technique à 1-800-543-6400 pour plus d'informations. Si la pompe fonctionne correctement, attachez le tuyau haute pression noir ainsi au nettoyeur haute pression. La baguette ou la lance est l'extension avec l'embout ajustable qui est connectée au centre de votre pistolet. Rallumez l'eau et tirez la gâchette du pistolet. L'eau devrait être éjectée à 3-6 mètres (10-20 pieds) du pistolet. Si l'eau n'est pas éjectée à 3-6 mètres (10-20 pieds) du pistolet, voyez si la valve dans le pistolet est en mauvaise état et si le pistolet a besoin d'être remplacé. Si l'eau est éjectée à 3-6 mètres (10-20 pieds), la baguette/lance a besoin d'être examinée. Des cailloux peuvent en être la cause. Référez-vous à la page 23 pour les instructions concernant le nettoyage de l'embout.

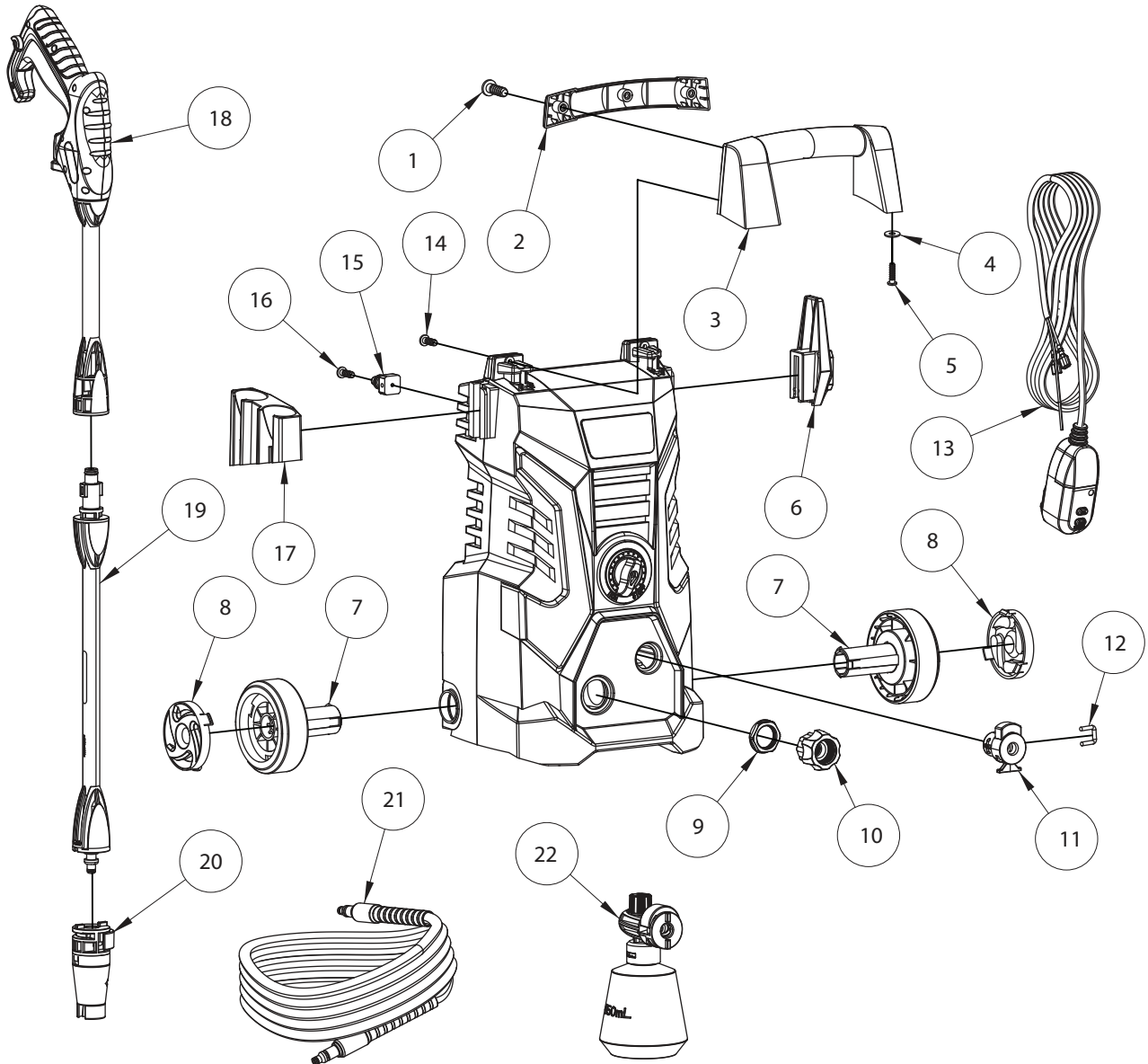
Pour pièces de rechange ou assistance technique, appeler 1-800-543-6400

S'il vous plaît fournir l'information suivante:

- Numéro de Modèle
- Numéro de série (si présent)
- Description et numéro de la pièce

Adresser toute correspondance à :

Campbell Hausfeld
Attn: Customer Service
100 Production Drive
Harrison, OH 45030 U.S.A.



Liste des pièces de remplacement

N° de réf.	Description	Numéro de pièce	Qté.
1	VIS AUTOTARAUEUSE	--	23
2	COUVERTURE DU MANCHE COURT	--	1
3	MANCHE COURT	--	1
4	RONDELLE	--	2
5	VIS AUTO-TARAUEUSE (À TÊTE CRUCIFORME)	--	2
6	CROCHET POUR CORDON D'ALIMENTATION	--	1
7	ROUE	■	2
8	ENJOLIVEUR DE LA ROUE	■	2
9	ÉCROU D'ENTRÉE	--	1
10	RACCORD D'ENTRÉE DU JARDIN AVEC FILTRE	--	1
11	ENSEMBLE DU RACCORD DE SORTIE	▲	1
12	GOUPILLE EN U	▲	1
13	CORDON D'ALIMENTATION	--	1
14	VIS AUTOTARAUEUSE	--	4
15	CONNECTEUR	●	5
16	VIS AUTOTARAUEUSE	●	5
17	SUPPORT POUR PISTOLET	--	1
18	PISTOLET DE NETTOYAGE	PW083600AV	1
19	LANCE	PW083800AV	1
20	BUSE AJUSTABLE	PW083901AV	1
21	TUYAU À HAUTE PRESSION	PW083700AV	1
22	BOUTEILLE DE DÉTERGENT	PW084000AV	1
ENSEMBLE DE PIÈCES DE REMPLACEMENT			
▲	ENSEMBLE DU RACCORD DE SORTIE	PW150150AV	
●	ENSEMBLE DU RACCORD	PW150151AV	
■	ENSEMBLE DU RACCORD DU TUYAU D'ARROSAGE	PW150152AV	

ENREGISTREZ VOTRE PRODUIT EN LIGNE MAINTENANT !
<http://www.campbellhausfeld.com>

Garantie Limitée

1. DURÉE : De la date d'achat de l'acheteur original comme suit : un an.
2. QUI OFFRE CETTE GARANTIE (GARANT) : Campbell Hausfeld/ Scott Fetzer Company, 100 Production Drive, Harrison, Ohio 45030, Téléphone : (800) 543-6400.
3. BÉNÉFICIAIRE DE CETTE GARANTIE (ACHETEUR) : L'acheteur original (sauf en cas de revente) du pulvérisateur à pression Campbell Hausfeld.
4. QUELS PRODUITS SONT COUVERTS SOUS CETTE GARANTIE : Tout pulvérisateur à pression PW1501 Campbell Hausfeld fourni ou fabriqué.
5. CE QUI EST COUVERT SOUS CETTE GARANTIE : Défauts importants de matériau et de main d'œuvre qui se produisent durant la période de garantie à l'exception de ce qui est noté plus bas. La garantie couvre aussi les articles sujets à l'usure normale pour une période de 90 jours de la date d'achat originale contre les défauts causés par matériau et main d'œuvre. Ces articles incluent les tuyaux haute pression, les bagues d'étanchéité d'huile et eau, les joints toriques, les soupapes, les lances et les buses de pulvérisation.
6. LA PRÉSENTE GARANTIE NE COUVRE PAS:
 - A. Les garanties implicites, y compris celles de commercialité et D'ADAPTATION À UNE FONCTION PARTICULIÈRE SONT LIMITÉES À PARTIR DE LA DATE D'ACHAT INITIALE TELLE QU'INDIQUÉE DANS LA SECTION DURÉE. Si ce pulvérisateur à pression est utilisé à des fins commerciales, industrielles ou de location, la garantie s'applique pendant quatre-vingt-dix (90) jours de la date d'achat. Certains états n'acceptent pas de limites quant à la durée de la garantie implicite, il se peut donc que les limites précédentes ne s'appliquent pas dans votre cas.
 - B. TOUT DOMMAGE, PERTE OU DÉPENSE FORTUIT, INDIRECT OU CONSÉCUTIF POUVANT RÉSULTER DE TOUT DÉFAUT, PANNE OU MAUVAIS FONCTIONNEMENT DU pulvérisateur à pression CAMPBELL HAUSFELD. Certains États n'acceptent pas de limite ou d'exclusion pour les dommages indirects ou consécutifs, donc il se peut que la limite ou l'exclusion précédente ne s'applique pas dans votre cas.
 - C. Toute défaillance découlant de dommages durant l'expédition, d'accidents, de mauvais traitements de l'acheteur, de négligence ou de défaillance au niveau de l'installation et du fonctionnement du pulvérisateur à pression conformément aux instructions fournies dans le(s) manuel(s) de propriétaire fourni(s) avec le produit.
 - D. Service avant livraison; par ex. le montage, l'huile ou les lubrifiants et les réglages.
 - E. Articles ou services qui sont exigés pour l'entretien normal du pulvérisateur à pression.
 - F. Les moteurs à essence et les pièces détachées sont expressément exclus de cette garantie limitée. De tels composants doivent être retournés par l'acheteur au fabricant original ou à son centre de service autorisé pour les réparations.
 - G. Articles supplémentaires qui ne sont pas couverts sous cette garantie:
 1. Les balais de moteur (modèles électriques seulement).
 2. Les défauts cosmétiques qui n'ont pas d'effet sur le fonctionnement de l'appareil.
 3. Composants rouillés.
 4. Usure de la pompe ou dommage aux soupapes causé(e) par la mauvaise huile, toute contamination d'huile ou par le fait de ne pas suivre les directives d'entretien d'huile.
7. RESPONSABILITÉS DU GARANT AUX TERMES DE CETTE GARANTIE : Réparation ou remplacement, au choix du Garant, d'un pulvérisateur à pression ou d'un composant qui s'est révélé défectueux, qui fonctionne mal et/ou qui n'est pas conforme pendant la durée de validité de la garantie.
8. RESPONSABILITÉS DE L'ACHETEUR AUX TERMES DE CETTE GARANTIE :
 - A. Fournir une preuve d'achat datée et un état d'entretien.
 - B. Appelez Campbell Hausfeld (800-543-6400) pour obtenir vos options de service sous garantie. Les frais de transport sont la responsabilité de l'acheteur.
 - C. Faire preuve de soins raisonnables durant le fonctionnement et l'entretien du pulvérisateur à pression tel que décrit dans le(s) manuel(s) du propriétaire.
9. RÉPARATION OU REMPLACEMENT EFFECTUÉ(E) PAR LE GARANT AUX TERMES DE LA PRÉSENTE GARANTIE : La réparation ou le remplacement sera prévu(e) et exécuté(e) en fonction de la charge de travail dans le centre de service et dépendra de la disponibilité des pièces de rechange.

Cette Garantie Limitée s'applique aux É.-U., au Canada et au Mexique seulement et vous donne des droits juridiques précis. Vous pourriez aussi avoir d'autres droits qui varient d'une juridiction à l'autre ou d'un pays à l'autre.

RAPPEL : Conservez votre preuve d'achat datée aux fins de garantie!
Attachez-le à ce manuel ou classez-le pour le garder en sécurité.

Por favor lea y guarde estas instrucciones. Léelas cuidadosamente antes de tratar de montar, instalar, operar o dar mantenimiento al producto aquí descrito. Protéjase usted mismo y a los demás observando toda la información de seguridad. ¡El no cumplir con las instrucciones puede ocasionar daños, tanto personales como a la propiedad! Guarde estas instrucciones para referencia en el futuro.

CAMPBELL HAUSFELD Lavadoras a Presión con Motor a Eléctricas

¡REGISTRE SU PRODUCTO EN LÍNEA AHORA MISMO! <http://www.campbellhausfeld.com>

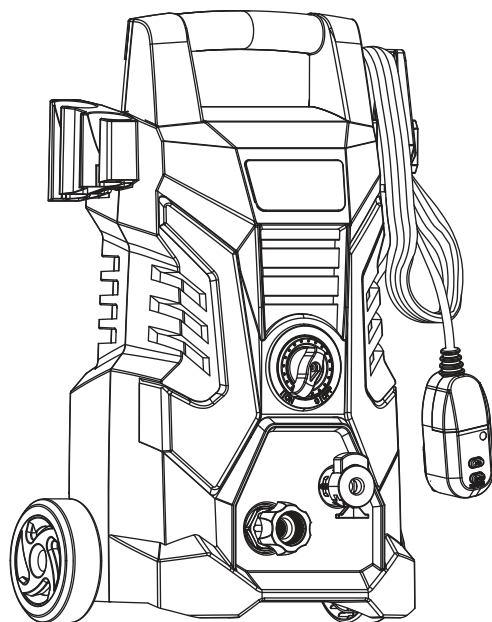


Figura 1 - Modelo PW150100

Especificaciones

Modelo	Presión	Voltios
PW150100	13,000 kPa/ 1900 psi	120

Sírvase registrar el N° de modelo y el N° de serie para usarlos cuando se ponga en contacto con el fabricante:

N° de modelo: _____

N° de serie: _____

Fecha de compra: _____

Lugar de compra: _____

Para mayor información sobre este producto, comuníquese con el distribuidor de Campbell Hausfeld más cercano a su domicilio.

Descripción

Estas lavadoras a presión eléctricas de Campbell Hausfeld son ideales para todos los proyectos de limpieza del hogar. Las unidades funcionan silenciosas y eficazmente, sin las emisiones del combustible. Cada modelo presenta "parada arranque inmediatos" (ISS) que apaga el motor cuando la pistola no está activada. Esto conserva agua y electricidad, al mismo tiempo que extiende la vida útil de la bomba.

Las lavadoras a presión son impulsadas por un motor universal confiable, y pueden enchufarse convenientemente en los tomacorrientes domésticos de 120V – 15 amperios. Este modelo están homologados por ETL para satisfacer los estándares UL y ETL en los EE.UU. y Canadá.

LEA Y SIGA TODAS LAS INSTRUCCIONES

GUARDE ESTAS INSTRUCCIONES – NO LAS DESECHE

Medidas de Seguridad

Este manual contiene información que es muy importante que sepa y comprenda. Esta información se la suministramos como medida de SEGURIDAD y para EVITAR PROBLEMAS CON EL EQUIPO. Debe reconocer los siguientes símbolos.

⚠ PELIGRO *Ésto le indica que hay una situación inmediata que LE OCASIONARIA la muerte o heridas de gravedad.*

⚠ ADVERTENCIA *Ésto le indica que hay una situación que PODRIA ocasionarle la muerte o heridas de gravedad.*

⚠ PRECAUCION *Ésto le indica que hay una situación que PODRIA ocasionarle heridas no muy graves.*

RECORDATORIO: ¡Guarde su comprobante de compra con fecha para fines de la garantía! Adjúntela a este manual o archívela en lugar seguro.

LEA Y SIGA TODAS LAS INSTRUCCIONES • GUARDE ESTAS INSTRUCCIONES • NO LAS DESECHE

Medidas de Seguridad (Continuación)

AVISO

Esto le indica una información importante, que de no seguirla, le podría ocasionar daños al equipo.

NOTA: Nota indica información adicional referente al producto o a su uso correcto.

Símbolos de Seguridad

Los siguientes símbolos de seguridad aparecen a lo largo de este manual para advertirle de importantes peligros y precauciones de seguridad.



Lea primero el manual



Riesgo de explosión



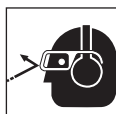
Riesgo de incendio



Riesgo de caída



Riesgo de lesiones personales



Use protección para los ojos y los oídos



Riesgo de choque eléctrico

ADVERTENCIA Cuando se usen herramientas, siempre se deberán seguir precauciones básicas, incluyendo las siguientes:

PROPOSICIÓN 65 DE CALIFORNIA

ADVERTENCIA Este producto o su cable de corriente pueden contener químicos, incluido plomo, que es conocido por el Estado de California como causante de cáncer y defectos de nacimiento u otros daños reproductivos. Lávese las manos después de manipularlo.

ADVERTENCIA Cuando corta lija, taladra o pule materiales como por ejemplo madera, pintura, metal, hormigón, cemento, u otro tipo de mampostería se puede producir polvo. Con frecuencia este polvo contiene productos químicos que se conocen como causantes de cáncer, defectos congénitos u otros daños reproductivos. Use equipo de protección.

GENERAL

- Para reducir el riesgo de choque eléctrico, incendio y lesiones personales, lea todas las instrucciones antes de usar la herramienta. Si no respeta las advertencias, los riesgos y las recomendaciones, eso podría resultar en la MUERTE o en LESIONES GRAVES.
- Familiarícese con los controles y el uso adecuado del equipo. Siga todas las instrucciones. Póngase en contacto con su representante Campbell Hausfeld si tiene alguna pregunta. 1-800-543-6400
- Sólo se les debe permitir usar esta unidad a aquellas personas bien familiarizadas con estas reglas de manejo seguro.
- Cumpla con todos los códigos de seguridad así como también con la Ley de salud y seguridad ocupacional (OSHA).



ÁREA DE TRABAJO

- Mantenga a todas las personas alejadas del área de funcionamiento.
- Mantenga el área de trabajo limpia y bien iluminada. Los bancos desordenados y las áreas oscuras aumentan el riesgo de choque eléctrico, incendio y lesiones personales.
- No haga funcionar la herramienta en entornos explosivos, como por ejemplo cuando haya polvo, líquidos o gases inflamables. La herramienta puede crear chispas y provocar la ignición de polvo o vapores.
- NUNCA rocíe líquidos inflamables ni use la lavadora a presión en áreas que contengan polvo, líquidos o vapores combustibles.
- Nunca ponga esta máquina en funcionamiento en un edificio cerrado o dentro o cerca de un entorno explosivo.



SEGURIDAD PERSONAL

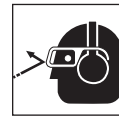
- Manténgase alerta. Mire lo que está haciendo y use el sentido común cuando haga funcionar la herramienta. No use la herramienta si está cansado o bajo la influencia de drogas, alcohol o medicamentos. Un momento de desatención mientras hace funcionar la herramienta aumenta el riesgo de lesiones personales.
- Vístase adecuadamente. Cerrar zapatos de punta (no chancas). No use alhajas ni vestimenta suelta. Sujétese el cabello largo. Mantenga el cabello, vestimenta y guantes alejados de las piezas móviles. La vestimenta suelta, las alhajas o el cabello largo aumentan el riesgo de lesiones personales como resultado de quedar atrapados en las piezas móviles.
- No intente alcanzar lugares alejados. Mantenga un buen soporte y equilibrio en todo momento. Un soporte y equilibrio adecuados permiten un mejor control de la herramienta en situaciones inesperadas.



ADVERTENCIA Riesgo de inyección o lesiones graves. Manténgase alejado de la boquilla. No descargue chorros hacia las personas. Este producto está diseñado para que lo usen únicamente operadores capacitados. Siempre retire la lanza de la pistola antes de limpiar los residuos de la boquilla.

- Manténgase alejado de la boquilla. NUNCA dirija el rociado de alta presión a ninguna persona, animal ni a usted mismo.
- NUNCA coloque la mano ni los dedos sobre la boquilla de rociado mientras opera la unidad.
- NUNCA intente detener ni desviar las pérdidas con partes de su cuerpo.

ADVERTENCIA Asegurarse de que la herramienta se use únicamente cuando el operador y todo el resto del personal en el área de trabajo estén usando equipo de protección ocular ANSI Z87, y cuando sea necesario, demás equipo de protección adecuado como para la protección de la cabeza, protección auditiva, guantes, botas de goma, ropa de protección al operar el equipo y realizar el mantenimiento. Pueden ocasionarse lesiones graves o permanentes de ojos y oídos.



- Alta presión – La pistola produce un contragolpe – Sostenga la pistola con ambas manos.
- Mantenga la manguera alejada de objetos afilados. Si la manguera explota puede causar lesiones. Examine la manguera regularmente y reemplácela si está dañada. No intente reparar una manguera dañada.

Importantes Instrucciones De Seguridad (Continuación)

SEGURIDAD ELÉCTRICA

⚠ ADVERTENCIA

Riesgo de electrocución



- a. Este producto se proporciona con un interruptor de circuito de descarga a tierra, GFCI, incorporado en el enchufe del cable de corriente. Asegúrese de inspeccionar el cable y el GFCI antes de usar. Cualquier reparación o reemplazo del cable de corriente deben ser realizados por un técnico electricista calificado (licenciado o certificado). Si fuera necesario reemplazar el enchufe o el cable, use sólo piezas de repuesto idénticas.
- b. NUNCA use un cable de extensión con este producto.
- c. Inspeccione el cable antes de usar la unidad - No la use si el cable está dañado.
- d. Mantenga todas las conexiones eléctricas secas y lejos del suelo.
- e. No toque el enchufe con las manos mojadas.
- f. No rocíe sobre aparatos eléctricos ni cableados.

USO Y CUIDADO DE LA HERRAMIENTA

⚠ ADVERTENCIA

No ejerza presión que exceda la presión de funcionamiento de cualquiera de las piezas (mangueras, accesorios, etc.) en el sistema presurizado. Asegúrese de que todo el equipo y los accesorios estén clasificados para soportar la máxima presión de funcionamiento de la unidad.

- a. Cuide su herramienta. Una herramienta mantenida adecuadamente reduce el riesgo de problemas y es más fácil de controlar.
- b. Asegúrese de que los dispositivos de seguridad estén funcionando correctamente antes de cada uso. NO quite ni modifique ninguna pieza de la pistola o la unidad.
- c. NUNCA ponga la máquina en funcionamiento sin que los componentes estén debidamente conectados a la máquina (mango, pistola/ensamble de la varilla, boquilla, etc.).
- d. Apunte la pistola en una dirección segura. La unidad comenzará a rociar cuando se apriete el gatillo si el interruptor de encendido y apagado (“On/Off”) se encuentra en la posición de encendido de la lavadora a presión [“ON”].
- e. Aprenda cómo detener este producto y liberar la presión rápidamente. Familiarícese bien con los controles.
- f. SIEMPRE enganche el pasador de seguridad del gatillo en la posición segura cuando detiene el rociado, aunque sea solamente por algunos minutos.
- g. NUNCA enganche el mecanismo del gatillo en forma permanente en la pistola.
- h. SIEMPRE siga las recomendaciones que se encuentran en la etiqueta del fabricante para el uso adecuado de detergentes. Siempre protéjase los ojos, la piel y las vías respiratorias del uso de detergentes.
- i. NUNCA desconecte la manguera de descarga de alta presión de la máquina mientras el sistema esté presurizado. Para despresurizar la máquina, apague la corriente eléctrica y el suministro de agua, luego presione el gatillo de la pistola 2 ó 3 veces.
- j. Desenchufe la unidad cuando no la esté usando.
- k. Siga las instrucciones de mantenimiento que se especifican en el manual.

AVISO

Daño al equipo:

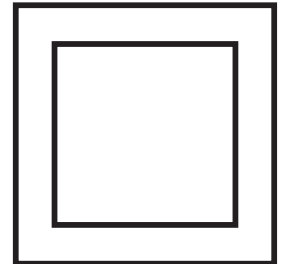
- l. SIEMPRE encienda el suministro de agua antes de encender la lavadora a presión. El poner la bomba seca en funcionamiento provoca graves daños.
- m. No ponga en funcionamiento la lavadora a presión si se ha quitado la rejilla de la entrada de agua. Mantenga la rejilla libre de residuos y sedimentos.
- n. NUNCA opere la lavadora a presión si tiene piezas rotas o si le faltan piezas. Verifique el equipo periódicamente y repare o reemplace las piezas desgastadas o dañadas inmediatamente.
- o. Use únicamente la boquilla que viene con esta máquina.
- p. NUNCA deje la varilla de pulverización sin supervisión mientras la máquina está en funcionamiento.
- q. SIEMPRE sostenga la pistola y la varilla de pulverización con firmeza cuando encienda y opere la máquina.
- r. Suelte el gatillo cuando cambia de modos de alta presión a baja presión. El no hacerlo puede causar daños a la boquilla.
- s. NUNCA guarde la lavadora a presión a la intemperie o donde pudiera congelarse. Las temperaturas de congelación pueden dañar seriamente la bomba.
- t. La lavadora a presión no está diseñada para bombear agua caliente. No la conecte a un suministro de agua caliente.

SERVICIO

- a. Al realizarle un servicio a la herramienta, utilice únicamente piezas de repuesto idénticas. Use sólo piezas autorizadas.

Forma de reparar un aparato de doble aislamiento

Los productos de doble aislamiento contienen dos sistemas de aislamiento en lugar de una conexión a tierra. No hay forma de conectar a tierra un producto con doble aislamiento, ni se le debe instalar ninguna forma de hacerlo. La reparación de un producto con doble aislamiento requiere un gran cuidado y conocimiento del sistema y se debe hacer solamente por personal de servicio debidamente calificado. Las piezas de repuesto para un producto con doble aislamiento deben ser idénticas a las piezas que van a substituir. Un producto con doble aislamiento, fabricado en los Estados Unidos, está marcado con las palabras “DOUBLE INSULATION” (DOBLE AISLAMIENTO) o “DOUBLE INSULATED” (AISLADO DOBLEMENTE). El símbolo también puede estar marcado sobre el producto.

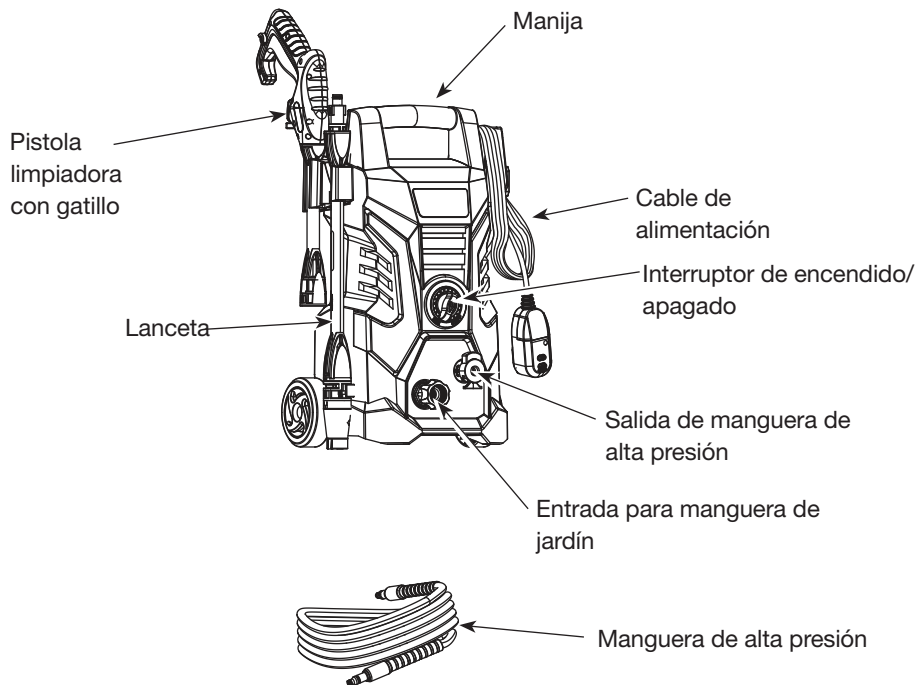


Símbolo de aislamiento doble

NOTA: Los símbolos de **PELIGRO, ADVERTENCIA, PRECAUCIÓN, y AVISO** y las instrucciones en este manual no pueden posiblemente cubrir todas las condiciones y situaciones posibles que puedan presentarse. El usuario debe entender que las precauciones y el sentido común son factores que no pueden incorporarse en este producto: es el usuario mismo quien debe contribuirlos.

GUARDE ESTAS INSTRUCCIONES – NO LAS DESECHE

Desempaque



Desempaque

Después de desempacar la unidad, inspecciónela detenidamente para detectar cualquier daño que pueda haber ocurrido durante su traslado. Verifique que no haya piezas sueltas, faltantes ni dañadas. Cerciórese de apretar todas las conexiones, pernos, etc. antes de usar la lavadora a presión. Asegúrese de que todos los accesorios proporcionados vengan con la unidad. Si falta alguna de las piezas, NO DEVUELVA LA UNIDAD AL VENDEDOR. Busque el número de modelo de la unidad (ubicado en la etiqueta del número de serie en la estructura de la lavadora a presión) y llame 1-800-543-6400 para obtener piezas de repuesto.

⚠ ADVERTENCIA No haga funcionar la unidad si se ha dañado durante el transporte, el manejo o el uso. Los daños podrían ocasionar una explosión y ocasionarle lesiones o daños a la propiedad.

USOS RECOMENDADOS PARA ESTA LAVADORA A PRESIÓN

- ◆ Plataformas
- ◆ Revestimientos exteriores
- ◆ Vehículos
- ◆ Canaletas (con boquilla de ángulo recto)

ARTÍCULOS ADICIONALES NO INCLUIDOS

- ◆ Protección para los ojos ANSI Z87
- ◆ Manguera de jardín

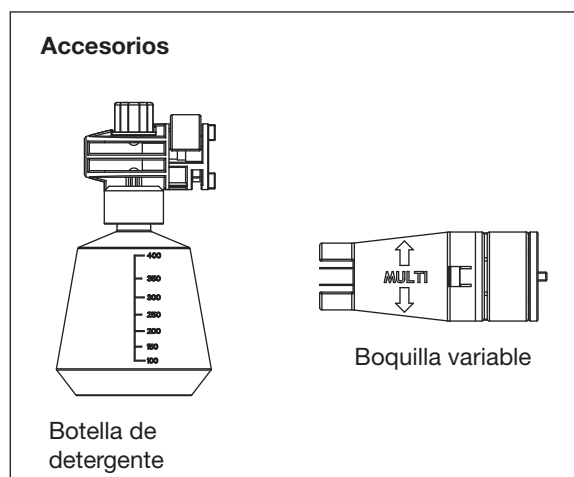


Figura 2- Componentes de la lavadora a presión

Ensamblaje y Antes del Funcionamiento

AVISO

Asegúrese siempre que la manguera de jardín esté abierta antes de encender la lavadora a presión. Poner en marcha la lavadora a presión sin el agua daña los sellos de la bomba.

AVISO

No desarme la lanza o la pistola de esta lavadora a presión. No hay piezas de repuesto disponibles para la pistola o lanza.

PW150100

1. Conecte la manguera de alta presión a la salida de alta presión (ver la figura 3).
2. Conecte la manguera de alta presión a la pistola (ver la figura 4).
3. Conecte la lanceta a la pistola, gire y asegure. Conecte la boquilla o la botella de detergente a la lanceta presionando el botón de conexión fácil (Easy Connect) e inserte en el conector rápido de la lanceta (ver las figuras 5, 6 y 7).
4. Conecte la manguera de jardín a la unidad (ver la figura 8).
5. Presione el botón de conexión fácil mientras inserta la pieza de conexión rápida (ver figuras 3, 4, 6 y 7).

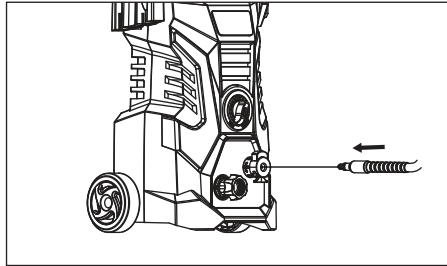


Figura 3 - Conecte la manguera de alta presión a la salida de alta presión

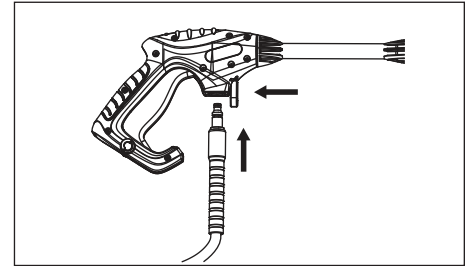


Figura 4 - Conecte la manguera de alta presión a la pistola

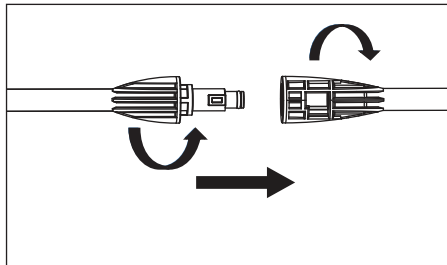


Figura 5 - Conecte la lanceta a la pistola

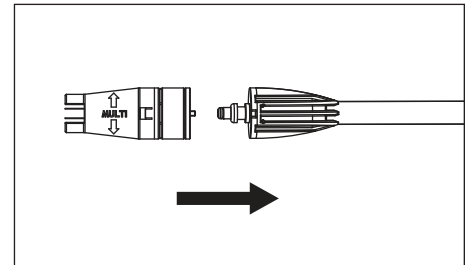


Figura 6 - Conecte la boquilla a la lanceta

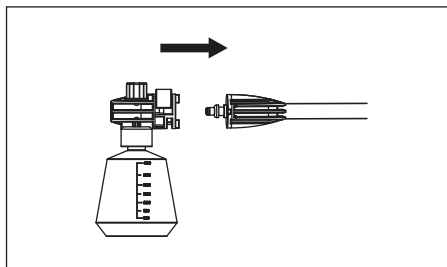


Figura 7 - Conecte la botella de detergente a la lanceta

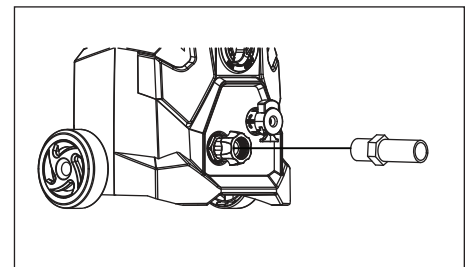


Figura 8 - Conecte la manguera de jardín a la unidad.

Ensamblaje y Antes del Funcionamiento (Continuación)

SEGURO DEL GATILLO

En la posición de trabado, el seguro evita que la pistola se dispare accidentalmente. Presione el seguro totalmente hacia abajo para destrabarlo (Ver Figura 9).

Siempre trabe el seguro del gatillo cuando la unidad no se está usando.

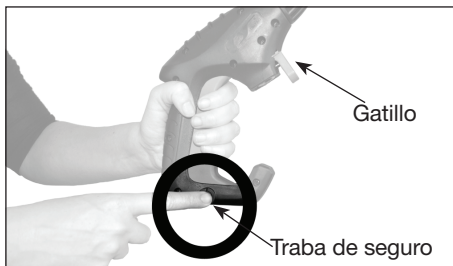


Figura 9 - Pasador de seguridad del gatillo

Funcionamiento

¡ IMPORTANTE !

Esta lavadora a presión está equipada con un microinterruptor sensible al flujo del agua. Este interruptor de arranque y parada instantáneos detecta el flujo del agua en la bomba. Cuando se suelta el gatillo, el agua deja de fluir por la bomba. Entonces, el interruptor de arranque y parada instantáneos apaga el motor para proteger la bomba del recalentamiento.

1. Abra el agua.
2. Presione el gatillo en la pistola.
3. Coloque el interruptor "ON/OFF" ("ENCENDIDO/APAGADO") en "ON" ("ENCENDIDO").
4. Suelte el gatillo. El motor de la lavadora a presión se detendrá.
5. Para rociar nuevamente, tire del gatillo, y el motor y la bomba arrancarán otra vez.

NOTA: El motor puede ocasionalmente funcionar por un corto tiempo para llevar agua fresca fría a la bomba, aunque se haya soltado el gatillo. Esto es parte del funcionamiento normal y no dañará la unidad.

PRECAUCION

Ponga siempre el interruptor "ON/OFF" (ENCENDIDO/APAGADO) en "OFF"

(APAGADO) y luego presione el gatillo de la pistola para liberar la presión en la manguera, antes de desenchufar el cordón de energía.

PRECAUCION

Riesgo de daño al equipo. Siempre asegúrese de que el interruptor "ON/OFF" (encendido/apagado) de la unidad se encuentre en la posición "OFF" (apagado) y que la unidad esté desenchufada antes de guardarla.

Siempre apunte la pistola hacia una posición segura.

ADVERTENCIA

Peligro de inyección. La unidad comenzará a rociar al oprimir el gatillo si el interruptor "ON/OFF" ("ENCENDIDO/APAGADO") está en la posición "ON" (encendido). Siempre apunte la pistola hacia una posición segura.

Siempre apunte la pistola hacia una posición segura.

PREPARACIÓN DE SUPERFICIE

El siguiente procedimiento de limpieza le ayudará a organizar su tarea de limpieza y asegura que logrará el mejor resultado en la menor cantidad de tiempo. GALONES POR MINUTO (GPM) más agua por minuto puede significar una limpieza más rápida, especialmente al lavar para quitar materiales como barro y asfalto. INTERRUPTOR DE CORRIENTE CON DESCARGA A TIERRA (GFCI) el GFCI protege al usuario de ser electrocutado accidentalmente (únicamente para lavadoras a presión eléctricas). Recuerde usar las técnicas de rociado/ limpieza que se mencionan en las secciones siguientes.

Antes de comenzar un trabajo de limpieza de lavado a presión, prepare la superficie que pretende limpiar. Despeje el mobiliario del área y asegúrese de que todas las ventanas y puertas estén bien cerradas. Además proteja todas las plantas y árboles próximos al área de limpieza cubriéndolos con una tela. Al cubrirlos se asegura que sus plantas no sean rociadas con los detergentes.

ENCENDIDO

SIEMPRE use este procedimiento de encendido para asegurarse de que la unidad sea iniciada adecuadamente y con seguridad.

AVISO

Si el agua se ha congelado en la lavadora a presión, descongele la lavadora a presión en una habitación templada antes de encenderla. NO vierta agua caliente sobre o dentro de la bomba; esto puede dañar las piezas interiores.

1. Asegúrese de que el interruptor de energía esté en la posición de apagado ("OFF").
2. Conecte una manguera de jardín al lado interno de la bomba y conéctela al suministro de agua. Utilice una manguera con un diámetro interior de 15,9 mm (5/8 inch) y un largo de 15 m (50 pies) o menos.

ADVERTENCIA

Algunos códigos locales de plomería exigen una prevención de retroceso cuando se realiza una conexión a un suministro de agua fresca. Instale un dispositivo para evitar el retroceso del flujo de agua de la bomba si fuera necesario.

- a. Si la presión de entrada de agua es superior a 6,90 bar, instale una válvula reguladora de agua en la conexión de la manguera de jardín.
- b. No supere una temperatura de entrada de agua de 38° C (100°F).

NOTA: El suministro de agua de entrada debe tener una velocidad mínima de flujo de 19 lpm.

3. ABRA el suministro de agua.

AVISO

Nunca haga funcionar la unidad sin agua. Asegúrese de que el suministro de agua esté totalmente abierto antes de hacer funcionar la unidad.

4. Apriete el gatillo de la pistola hasta que salga agua pulverizada de la boquilla indicando que todo el aire se ha purgado del sistema. Coloque el pasador de seguridad del gatillo.
5. Enchufe el cable de corriente en un tomacorriente de 120 V con conexión a tierra, que se encuentre en un circuito dedicado. No use un cable de extensión. Presione el botón de reinicio en el adaptador de GFCI del enchufe. Esto debe hacerse cada vez que la unidad se enchufa en un tomacorriente.(Figura 10)

Funcionamiento (Continuación)

CONEXIÓN DEL SISTEMA

1. Enchufe el cordón de corriente en un tomacorrientes de 120 V con conexión a tierra.
2. Abra la llave del agua.
3. Suelte el cierre del gatillo deslizando el cierre de la derecha a la izquierda.(Figura 10)
4. Oprima el gatillo y manténgalo presionado por 1 minuto para liberar la presión y liberar el aire atrapado en el sistema.
5. Coloque el interruptor "ON/OFF" ("ENCENDIDO/APAGADO") en la posición "ON" ("ENCENDIDO").

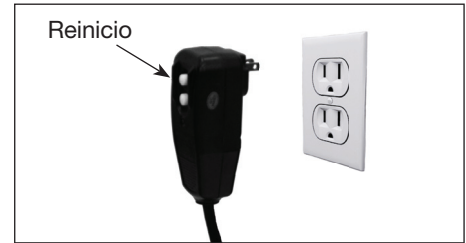


Figura 10 - Botón de reinicio/enchufe con conexión a tierra

ENJUAGUE INICIAL DE ALTA PRESIÓN

Rocíe la superficie a limpiar con agua para quitar la suciedad o las manchas que puedan haberse acumulado sobre la superficie. Hacer esto permite que el detergente ataque la suciedad profunda que se ha introducido dentro de la superficie a limpiar.

Apriete el gatillo de la pistola entre 3 y 5 veces para eliminar cualquier resto de aire que haya quedado en el sistema.

Ajuste del ángulo de rociado

1. Durante el funcionamiento, la presión afecta la lanza: téngala firmemente con ambas manos y apunte la boquilla hacia el suelo.
2. Accione jalando el gatillo de la pistola pulverizadora/mango.
3. Ajuste la distancia de la superficie a limpiar, lo cual ajusta también la presión de la boquilla.
4. Se puede cambiar la forma del patrón de pulverización y la intensidad girando al ajuste de rociado al extremo de la lanza (ver la figuras 11 y 12). Mantenga las manos alejadas del frente de la lanza, para prevenir lesiones.

La presión también puede ajustarse acercándose o alejándose de la superficie que se está limpiando y ajustando el ángulo de la pulverización como se muestra.

Ángulo con respecto a la superficie a limpiar

Cuando rocíe agua contra una superficie, puede generar un impacto máximo al apuntar a la superficie en un ángulo perpendicular. Sin embargo, este tipo de impacto puede causar que las partículas de suciedad se incrusten en la superficie evitando así que se logre la acción deseada.

El mejor ángulo para rociar el agua contra la superficie de limpieza es de 45°. (Figura 13)

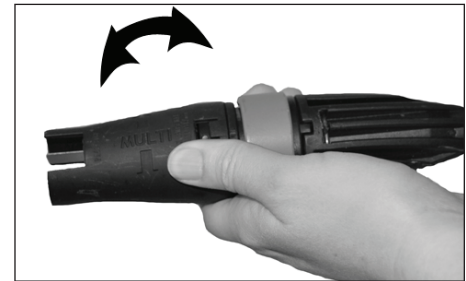


Figura 11 - Ajuste de pulverización

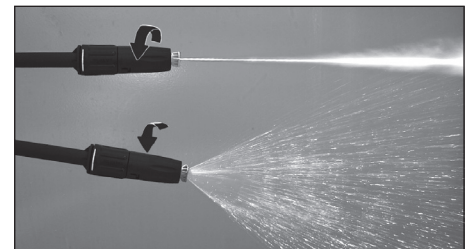


Figura 12 - Ajuste del patrón de rociado



Figura 13 - Ángulo mejor para limpiar una superficie

Funcionamiento (Continuación)

Distancia a la superficie de limpieza

La distancia entre la boquilla de pulverización y la superficie que se está limpiando es otro factor que afecta la fuerza de impacto del agua. La fuerza de impacto del agua aumenta a medida que se acerca la boquilla a la superficie.

Cómo evitar daños a la superficie

El daño a las superficies de limpieza ocurre cuando la fuerza de impacto del agua excede la resistencia de la superficie. Puede variar la fuerza de impacto controlando el ángulo de la boquilla de pulverización con respecto a la superficie que se limpia y la distancia de la superficie y cambiando la boquilla de pulverización. NUNCA utilice un chorro angosto de alto impacto sobre una superficie propensa a ser dañada. Evite rociar ventanas con un chorro angosto de alto impacto. Si lo hace es posible que rompa la ventana. La forma más segura para evitar daños a las superficies es siguiendo estos pasos:

1. Antes de presionar el gatillo de la pistola, asegúrese de que la boquilla de conexión rápida que usa es adecuada para la aplicación.
2. Coloque la boquilla de pulverización aproximadamente a 1,2 o 1,5 m (4-5 pies) de distancia de la superficie de limpieza. Luego sostenga la lanza y la boquilla de pulverización en un ángulo de 45° con respecto a la superficie de limpieza. Presione el gatillo de la pistola.
3. Varíe el ángulo de rociado del patrón de abanico y la distancia a la superficie de limpieza hasta que se logre una eficiencia de limpieza.

APLICACIÓN DE DETERGENTE

NOTA: Use sólo detergentes formulados para lavadora a presión. Pruebe el detergente en un área poco aparente antes de usarlo. NO use lejía en esta lavadora a presión.

Detergentes

El uso de detergentes puede reducir en gran forma el tiempo de limpieza y puede ayudar a quitar las manchas difíciles. Muchos detergentes están diseñados para ser usados con lavadoras a presión en tareas de limpieza específicas. Los detergentes para lavadoras a presión son igual de espesos que el agua. Si se utilizan detergentes más espesos, como por ejemplo detergentes para lavar vajilla, obstruirán el sistema de inyección de productos químicos y evitarán la aplicación de detergentes.

Una vez aplicados a la superficie a limpiar, los detergentes toman un tiempo para ejercer una acción sobre la suciedad y las manchas. Los detergentes funcionan mejor cuando se aplican a baja presión.

Usted puede limpiar superficies de un modo efectivo combinando la acción química de los detergentes junto con los enjuagues de alta presión. Sobre superficies verticales, aplique el detergente de abajo hacia arriba. Este método evita que el detergente se deslice y provoque marcas. Comience el enjuague con alta presión de abajo hacia arriba. En manchas particularmente difíciles, utilice un cepillo en combinación con los detergentes y el enjuague a alta presión.

1. Siga las indicaciones del fabricante, que aparecen en la etiqueta, para utilizar las concentraciones de mezcla correctas de los jabones/detergentes. La proporción de jabón/detergente con respecto al agua para la bomba es de aproximadamente 10% (1 a 10).

- ◆ PW150100: Vierta jabón en el recipiente del jabón. Ajuste la lanza a la posición de Jabón. Vuelta a baja presión (Figura 13)

Consejos generales de limpieza

1. Aplique el detergente para que cubra totalmente la superficie a limpiar. Aplique el detergente de abajo hacia arriba para evitar que éste se deslice hacia abajo y deje marcas. Espere un par de minutos para que el detergente actúe sobre la suciedad y las manchas. Utilice un cepillo para cepillar levemente las áreas más sucias. Nunca permita que el detergente se seque sobre la superficie a limpiar.
2. Enjuague con alta presión.

PODER DE LIMPIEZA

La forma más fácil de regular el poder de limpieza de su lavadora a presión es cambiando la distancia a la superficie que está limpiando. Comience a rociar con un patrón de abanico amplio mientras se para a varios pies de la superficie. Acérquese lentamente al objeto que está limpiando, mientras ajusta el patrón de rociado según sea necesario, hasta que encuentre la técnica de limpieza más eficaz.

ENJUAGUE FINAL

El enjuague final debe comenzar de abajo hacia arriba. Asegúrese de enjuagar totalmente la superficie y de quitar todo el detergente.

PROCEDIMIENTO DE LIBERACIÓN DE PRESIÓN

Para reducir el riesgo de lesiones corporales o daño a la propiedad, siempre siga este procedimiento cuando detiene el rociado, cuando finaliza el trabajo y antes de revisar o reparar cualquier parte del sistema.

1. Coloque el seguro del gatillo.
2. Apague la unidad.
3. Cierre el suministro de agua.
4. Suelte el seguro del gatillo y apriete el gatillo de la pistola para liberar la presión.
5. Vuelva a colocar el seguro del gatillo.
6. Cuando verifique o repare la unidad, quite el enchufe del tomacorriente de pared.
7. Antes de guardar la unidad de un día para el otro, durante un largo tiempo o para transportarla, desconecte el suministro de agua.

APAGADO

1. Asegúrese de enjuagar todo el detergente del sistema.
2. Apague el motor.
3. Cierre el suministro de agua.
4. Después de apagar el motor y cerrar el suministro de agua, apriete el gatillo para quitar la presión del sistema.

AVISO

NUNCA cierre el suministro de agua antes de apagar el motor. Pueden ocurrir daños graves a la bomba y/o al motor.

PRECAUCIÓN

Nunca desconecte la manguera de descarga de alta presión desde la máquina mientras el sistema está presurizado. Para despresurizar apague el motor, cierre el suministro de agua y presione el gatillo 2-3 veces.

5. Después de cada uso, limpie todas las superficies con un paño húmedo y limpio.

Funcionamiento (Continuación)

ALMACENAMIENTO

- Nunca vaya a guardar la lavadora a presión a la intemperie.
- No guarde la lavadora a presión en un lugar en el que pueda congelarse, a menos que haya sido preparada adecuadamente para el invierno.

Instrucciones de preparación para el invierno

1. Desconecte la manguera de alta presión de la bomba.
2. Introduzca un trozo de manguera de jardín de 30,48 cm (12") a 35,56 cm (14") dentro de la entrada de la bomba.
3. Coloque un embudo en el otro extremo de la manguera de jardín.

AVISO

Lea las instrucciones del fabricante para manejar y desechar con seguridad el

anticongelante RV.

4. Vierta aproximadamente 177 mL (6 oz.) de anticongelante RV dentro del embudo.
5. Encienda y apague el interruptor brevemente hasta que salga el anticongelante de la válvula de liberación de la salida de la bomba.
6. Desconecte la manguera de alta presión de la pistola y drene la manguera. Sostenga la pistola y la lanza en posición vertical y presione el gatillo para drenar el agua.

INSTRUCCIONES PARA LIMPIAR LA BOQUILLA

Una boquilla obstruida o parcialmente obstruida puede provocar una reducción significativa del agua que sale por la boquilla y hacer que la unidad vibre al rociar.

Para limpiar la boquilla:

- Apague la unidad.
- Cierre el suministro de agua. Libere toda la presión atrapada en la manguera apretando el gatillo 2 ó 3 veces.
- Quite la lanza de la pistola.
- Gire la boquilla a la posición de chorro angosto. Esto abre las paletas de la turbina.
- Usando el limpiador de puntas que se incluye, o un sujetador de papeles desdoblado, introduzca el alambre en el orificio de la boquilla y muévelo hacia adelante y hacia atrás hasta quitar la obstrucción (vea la figura 14).
- Quite las obstrucciones adicionales pasando agua en dirección inversa a través de la boquilla. Para hacer eso, quite la boquilla de la pistola, ponga un extremo de la manguera de jardín (con el agua abierta) en la punta de la boquilla para expulsar agua y residuos por el orificio trasero de la lanza.

CONSEJOS PARA PROLONGAR LA VIDA DE SU LAVADORA A PRESIÓN

1. Nunca haga funcionar la unidad sin agua.
2. Su lavadora a presión no está diseñada para bombear agua caliente. Nunca conecte su lavadora a presión a un suministro de agua caliente ya que esto reducirá en forma significativa la vida de la bomba.
3. Hacer funcionar la unidad durante más de un minuto sin rociar agua provoca que se acumule calor en la bomba. Hacer funcionar la unidad sin rociar agua puede dañar los componentes de la bomba.

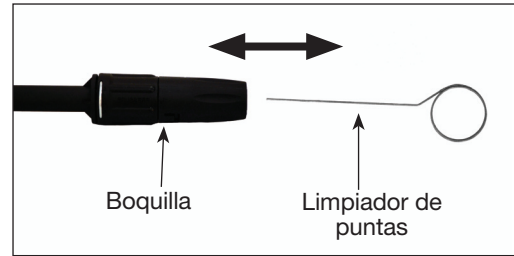


Figura 14

Mantenimiento

Para asegurar una vida y un rendimiento máximos de la lavadora a presión, cumpla con intervalos de mantenimiento regulares. Remítase al plan de mantenimiento recomendado. Si usted hace funcionar la lavadora a presión en ambientes con mucho polvo, realice revisiones de mantenimiento con más frecuencia.

PLANIFICACIÓN DEL MANTENIMIENTO

Planificación del mantenimiento	Acción necesaria:
A diario	Verifique la rejilla y el filtro de entrada del agua

INFORMACIÓN TÉCNICA Y PARA EL CONSUMIDOR

Lavadoras a presión de orientación horizontal	
Succión del detergente de la bomba	
Proporción de agua/detergente	10 a 1 (10% de detergente)
Requisitos del suministro de agua	
Presión mínima de entrada	1,38 bar
Presión máxima de entrada	6,90 bar
Temperatura máxima de entrada	37,7°C (100°F)
Mínimo caudal de entrada	19 l/m (5 gpm)
Tamaño de la manguera de jardín de entrada	15,9 mm (5/8 pulg.) de diámetro interno
Largo máximo de la manguera de jardín de entrada	15,2 m. (50 pies)

Tabla de Identificación de Problemas

Problema	Causa	SOLUTION
La presión baja y/o la bomba funciona toscamente	<ol style="list-style-type: none"> 1. Punta desgastada 2. Filtro de entrada o bomba obstruida 3. Entrada restringida 4. Manguera de alta presión con pérdidas 5. Bomba aspira aire 	<ol style="list-style-type: none"> 1. Reemplácela con una punta 2. Límpiela. Verifique con más frecuencia 3. Revise la manguera de jardín, puede estar colapsada o plegada. Revise el flujo de entrada de agua 4. Reemplace la manguera de alta presión 5. Asegúrese de que las mangueras y los accesorios estén ajustados
Fuertes pulsaciones en la entrada y baja presión	1. Partículas extrañas en la válvula de entrada o de descarga o válvulas de entrada y/o de descarga desgastadas	1. Limpie o reemplace las válvulas. Llame al 1-800-543-6400
Presión fluctuante	<ol style="list-style-type: none"> 1. La bomba aspira aire 2. Punta obstruida 	<ol style="list-style-type: none"> 1. Asegúrese de que las mangueras y los accesorios están ajustados. Purgue el aire de la manguera de jardín 2. Limpie o reemplace
Disminuye la presión luego de un período de uso normal	Boquilla desgastada	Revise y reemplace
La lavadora a presión no se enciende	<ol style="list-style-type: none"> 1. Se disparó el GFCI 2. El enchufe no está bien conectado o el tomacorriente eléctrico está defectuoso 3. El cable de extensión (ver página figura 31Es seguridad eléctrica b) o el tamaño del cable es demasiado pequeño. 4. El suministro de voltaje principal es demasiado bajo 5. Se disparó el interruptor térmico de seguridad 	<ol style="list-style-type: none"> 1. Presione el botón de reajuste en el enchufe 2. Revise el enchufe, el tomacorriente y los fusibles 3. Quite el cable de extensión, NUNCA use un cable de extensión con este producto. 4. Verifique si el voltaje de suministro principal es adecuado 5. Apague la unidad y deje que el motor se enfríe
El motor se detiene abruptamente	<ol style="list-style-type: none"> 1. El cable de extensión (ver página figura 31Es seguridad eléctrica b) o el tamaño del cable es demasiado pequeño. 2. El interruptor térmico de seguridad se disparó debido a un sobrecalentamiento 	<ol style="list-style-type: none"> 1. Quite el cable de extensión, NUNCA use un cable de extensión con este producto. 2. Verifique que el voltaje de suministro principal corresponda con las especificaciones
La unidad comienza a largar humo	Motor sobrecalentado, sobrecargado o dañado	Apague la unidad y llame al 1-800-543-6400
Bomba ruidosa / la bomba funciona toscamente	<ol style="list-style-type: none"> 1. Bomba aspira aire/bajo suministro de agua 2. Agua demasiado caliente 	<ol style="list-style-type: none"> 1. Asegúrese de que las juntas están ajustadas. Aumente la presión de agua 2. Reduzca la temperatura por debajo de 38° C
No succiona detergente	No se está usando la boquilla para jabón	Ajuste la boquilla a la posición de jabón

Tabla de Identificación de Problemas (Continuación)

Problema	Causa	Solución
El motor no se enciende	No se está jalando el gatillo de la pistola al encendido	<ol style="list-style-type: none"> 1. Cierre el suministro de agua (OFF). Desconecte la manguera de jardín y la manguera negra de alta presión de la unidad. Esto aliviará toda presión de la bomba. 2. Enchufe la unidad en el tomacorriente. Asegúrese de que el interruptor esté en la posición OFF (apagado). 3. Si su unidad está equipada con un enchufe aterrado (GFCI), oprima el botón superior, luego el botón inferior y luego el botón superior otra vez. Usted debería ver una luz en la pequeña ventana arriba de estos botones. Si no ve ninguna luz roja, a la unidad no le llega corriente. Puede llevar la unidad a un centro de servicio para su reparación. 4. Conecte el suministro de agua en la parte de atrás de la unidad y encienda el agua. Presione el botón y observe si se enciende. Si se enciende, cierre el agua y apague la unidad, conecte la pistola y la manguera y vaya al paso 5. 5. Con la unidad en posición de APAGADO "OFF", tire el gatillo de la pistola y verifique que salga un pequeño chorro de agua. Tenga presionado el gatillo mientras enciende la unidad.
Pruebas de baja presión	Problemas de bomba, pistola o de lanza	<ol style="list-style-type: none"> 1. Quite la manguera negra de alta presión de la lavadora a presión. 2. Conecte la manguera de jardín. 3. Abra el suministro de agua. El agua debe fluir a través del agua a presión. 4. Encienda la lavadora a presión. El chorro de agua debería llegar a 2,4 - 3 m (8-10 pies) de la bomba, desde el tubo donde se conecta la manguera de alta presión. 5. Si el agua realmente llega a 2,4 - 3 m (8-10 pies), entonces la bomba trabaja bien. Si no es así, entonces hay que limpiar la bomba. Apague el suministro de agua a la lavadora a presión y llame al apoyo técnico, al 1-800-543-6400 para más instrucciones. 6. Si la bomba trabaja bien, entonces conecta la manguera negra de alta presión a la lavadora a presión. La vara o la lanza es la extensión con la boquilla ajustable, que se conecta al centro de la pistola. 7. Vuelva a encender el agua y tire el gatillo de la pistola. El agua debería llegar a 3 - 6 m (10-20 pies) de la pistola. 8. Si el agua no llega a 2,5 - 6 m (10-20 pies) de la pistola, entonces la válvula de retención de la pistola está defectuosa y es necesario reemplazar la pistola. Si el agua llega a 2,5 - 6 m (10-20 pies), entonces hay que chequear la vara/lanza para ver si está atascada. Ver la página 37 para Instrucciones de Limpieza de la Boquilla.

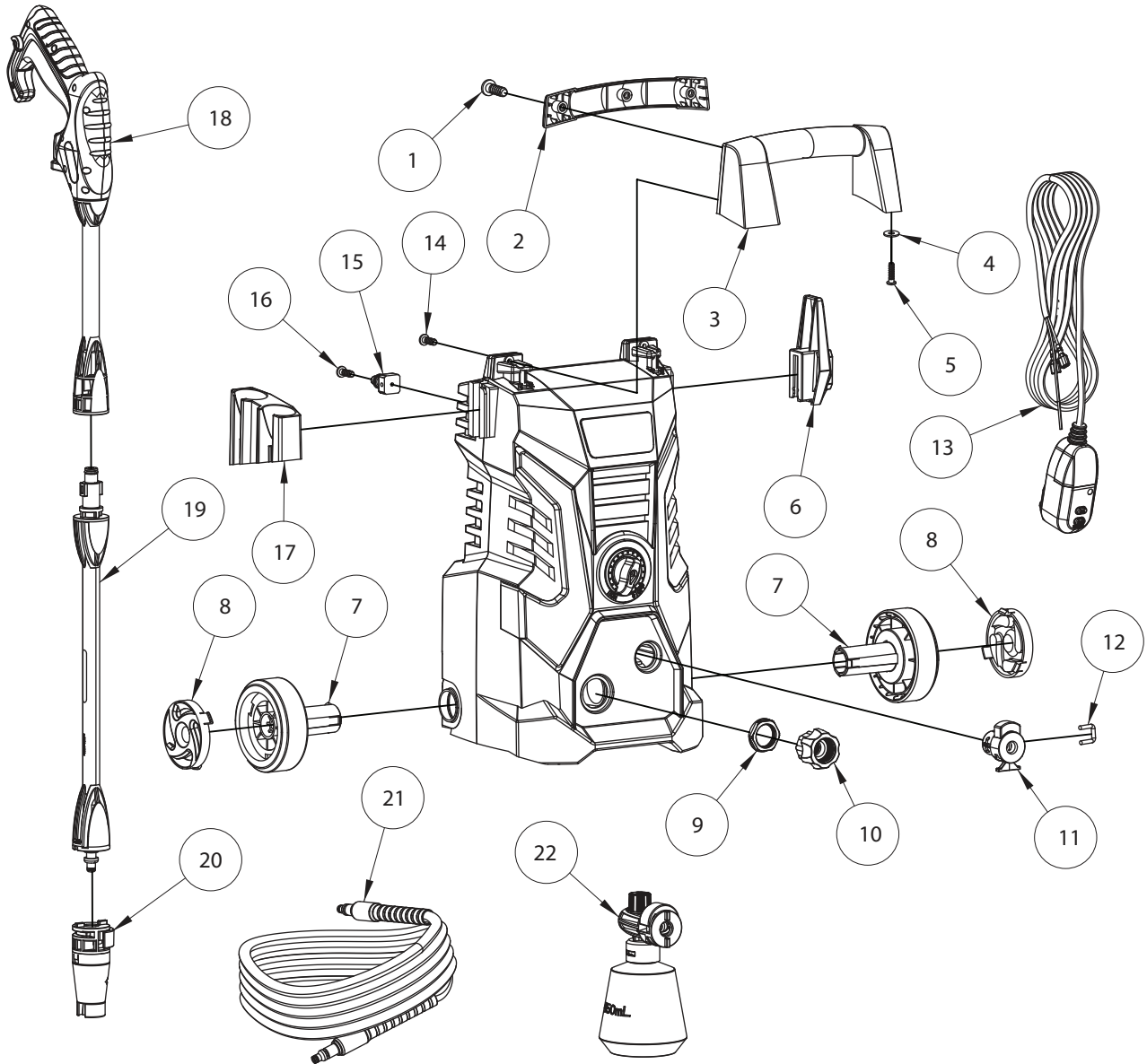
Para Ordenar Repuestos o Asistencia Técnica, Sírvase Llamar al Distribuidor Más Cercano a Su Domicilio.

Sírvase darnos la siguiente información:

- Número del modelo
- Código impreso
- Descripción y número del repuesto según la lista de repuestos

Dirija toda la correspondencia a:

Campbell Hausfeld
Attn: Customer Service
100 Production Drive
Harrison, OH 45030 U.S.A.



Lista de repuestos

Ref. No.	Descripción	Número de parte	Cant.
1	TORNILLO AUTORROSCANTE	--	23
2	CUBIERTA DE LA MANIJA CORTA	--	1
3	MANIJA CORTA	--	1
4	ARANDELA	--	2
5	TORNILLO AUTORROSCANTE (CABEZA DE CRUZ)	--	2
6	SOPORTE PARA CABLE DE ALIMENTACIÓN	--	1
7	RUEDA	■	2
8	CUBIERTA DE RUEDA	■	2
9	TUERCA DE ENTRADA	--	1
10	CONECTOR PARA ENTRADA DE JARDÍN CON FILTRO	--	1
11	CONJUNTO DEL CONECTOR DE SALIDA	▲	1
12	CLAVIJA EN U	▲	1
13	CABLE DE ALIMENTACIÓN	--	1
14	TORNILLO AUTORROSCANTE	--	4
15	CONECTOR	●	5
16	TORNILLO AUTORROSCANTE	●	5
17	SOPORTE DE LA PISTOLA	--	1
18	PISTOLA LIMPIADORA	PW083600AV	1
19	LANCETA	PW083800AV	1
20	BOQUILLA AJUSTABLE	PW083901AV	1
21	MANGUERA DE ALTA PRESIÓN	PW083700AV	1
22	BOTELLA DE DETERGENTE	PW084000AV	1
KITS DE REPUESTOS			
▲	KIT DE CONECTOR DE SALIDA	PW150150AV	
●	KIT DE CONECTOR	PW150151AV	
■	KIT DE CONEXIÓN DE MANGUERA DE JARDÍN	PW150152AV	

Garantía Limitada

1. DURACIÓN : A partir de la fecha de compra por parte del comprador original del modo siguiente : Un año.
2. QUIÉN OTORGA ESTA GARANTÍA (GARANTE) : Campbell Hausfeld / Scott Fetzer Company, 100 Production Drive, Harrison, Ohio 45030, Teléfono: (800) 543-6400.
3. QUIÉN RECIBE ESTA GARANTÍA (COMPRADOR) : El comprador original (sin fines de reventa) de la lavadora a presión Campbell Hausfeld.
4. QUÉ PRODUCTOS ESTÁN CUBIERTOS POR ESTA GARANTÍA : Toda lavadora a presión PW1501 Campbell Hausfeld proporcionada o fabricada.
5. QUÉ ESTÁ CUBIERTO POR ESTA GARANTÍA : Defectos importantes en el material y en la mano de obra que ocurran durante la duración del período de garantía con las excepciones que se detallan a continuación. La garantía cubre también los artículos de desgaste normal por un período de 90 días de la fecha de compra original contra defectos de material y mano de obra. Estos artículos de desgaste normal incluyen mangueras de alta presión, sellos de agua y aceite, anillos en O, válvulas, lanzas y boquillas de rociado.
6. QUÉ NO ESTÁ CUBIERTO POR ESTA GARANTÍA :
 - A. Las garantías implícitas, incluyendo aquellas de comercialización y APTITUD PARA UN PROPÓSITO ESPECÍFICO, ESTÁN LIMITADAS DESDE LA FECHA DE COMPRA ORIGINAL SEGÚN SE ESTABLECE EN LA DURACIÓN. Si esta lavadora a presión es empleada para uso comercial, industrial o alquiler, la garantía será aplicable durante 90 (noventa) días a partir de la fecha de compra. En algunos estados no se permiten las limitaciones a la duración de una garantía implícita, por lo cual las limitaciones antedichas pueden no ser aplicables en su caso.
 - B. CUALQUIER PÉRDIDA, DAÑO O GASTO INCIDENTAL, INDIRECTO O CONSECUENTE QUE PUEDA RESULTAR DE CUALQUIER DEFECTO, FALLA O MAL FUNCIONAMIENTO DE LA LAVADORA A PRESIÓN CAMPBELL HAUSFELD. En algunos estados no se permiten la exclusión ni la limitación de los daños incidentales o consecuentes, por lo cual la limitación o exclusión antedichas pueden no ser aplicables en su caso.
 - C. Cualquier fallo que sea el resultado de daños de envío, accidente, abuso, negligencia por parte del comprador o si éste no instala y hace funcionar la lavadora a presión de acuerdo con las instrucciones proporcionadas en el (los) manual(es) del propietario que se entrega(n) con el producto.
 - D. Servicio previo a la entrega, p. ej. ensamblado, aceite o lubricantes y ajuste.
 - E. Artículos o servicios que normalmente se necesitan para el mantenimiento de la lavadora a presión.
 - F. El motor a gasolina y sus componentes que están expresamente excluidos de la cobertura según esta garantía limitada. Dichos componentes deben ser devueltos por el comprador al fabricante original o a sus estaciones de reparación autorizadas para servicio.
 - G. Artículos adicionales no cubiertos por la garantía:
 1. Cepillos del motor (solo modelos eléctricos).
 2. Defectos estéticos que no interfieren con la funcionalidad.
 3. Componentes oxidados.
 4. Desgaste de la bomba o daños de las válvulas causados por el uso de un aceite inadecuado, contaminación del aceite o por no seguir las pautas de mantenimiento de lubricación adecuadas.
7. RESPONSABILIDAD DEL GARANTE EN VIRTUD DE ESTA GARANTÍA : Según elija el Garante, la reparación o el reemplazo de la lavadora a presión o los componentes que estén defectuosos, que hayan funcionado en forma inadecuada o que no hayan cumplido con su función dentro de la duración del período de la garantía.
8. RESPONSABILIDAD DEL COMPRADOR EN VIRTUD DE ESTA GARANTÍA :
 - A. Proporcionar comprobante de compra fechado y registros de mantenimiento.
 - B. Llame a Campbell Hausfeld (800-543-6400) por sus opciones de servicio incluidas en la garantía. Los costos de flete correrán por cuenta del comprador.
 - C. Emplear un cuidado razonable para el manejo y el mantenimiento de la lavadora a presión, según se describe en el (los) manual(es) del propietario.
9. EN QUÉ CASOS EL GARANTE PROPORCIONARÁ REPARACIÓN O REEMPLAZO EN VIRTUD DE ESTA GARANTÍA : La reparación o el reemplazo serán establecidos y se llevarán a cabo de acuerdo con el flujo de trabajo normal en la instalación de servicio, y dependerá de la disponibilidad de piezas de repuesto.

Esta garantía limitada se aplica únicamente en los EE.UU., Canadá y México, y le proporciona derechos legales específicos. Puede que también tenga otros derechos que pueden variar de un estado a otro, o de un país a otro.

