

Please read and save these instructions. Read carefully before attempting to assemble, install, operate or maintain the product described. Protect yourself and others by observing all safety information. Failure to comply with instructions could result in personal injury and/or property damage! Retain instructions for future reference.



Inlet Valve / Suction Assembly Replacement Kit

Description

This kit contains parts needed to install an improved inlet valve and suction assembly on your sprayer.

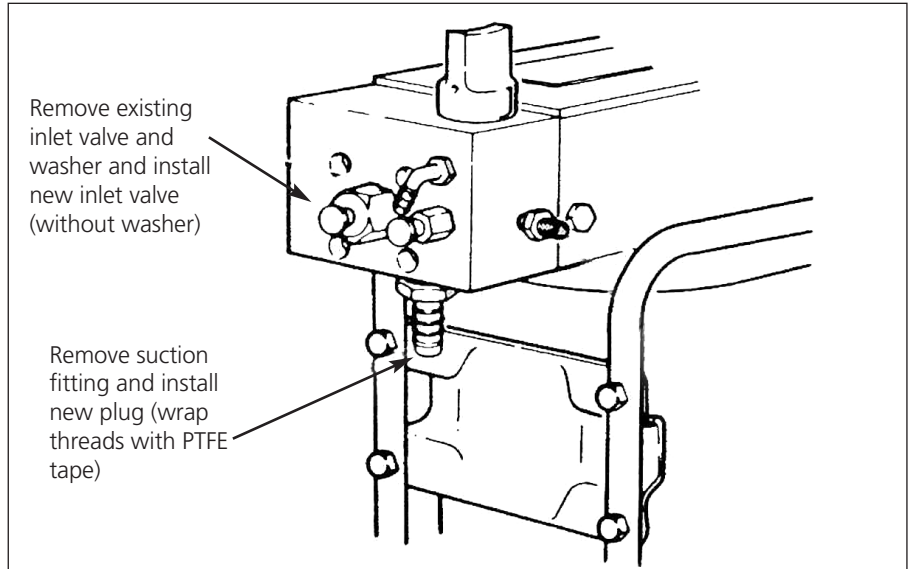
Safety Information

⚠WARNING

Warning indicates a potentially hazardous situation which, if not avoided, **COULD** result in death or serious injury.

⚠WARNING

Disconnect power source before taking apart or reassembling sprayer.

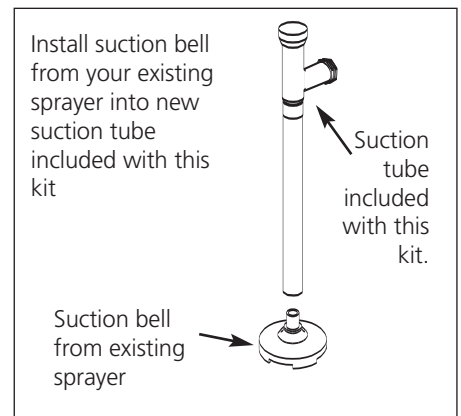


Procedure

If you have any questions about this procedure, please call 1-800-626-4401 and choose the option for technical assistance. You can also contact us through the web at www.chpower.com.

1. With an adjustable wrench remove inlet valve and washer.
2. Install the new inlet valve. Note: this new valve does not use a washer.
3. Hand tighten the inlet valve, then tighten with a wrench.
4. Remove the suction fitting from the bottom of the block.

5. Wrap the threads on the plug (included in this kit) with PTFE tape.
6. Insert the plug and tighten with a wrench.
7. Remove the existing suction bell from your sprayer's suction tube.
8. Push the suction bell into the bottom of the suction tube included in this kit.
9. Hand tighten the suction assembly onto the inlet valve.



Description	Part Number
Inlet Valve	AL134401SV
Suction Assembly	AL138400SV
Suction Bell (with filter)	AL111000AJ
Suction Filters (2 Pack)	MP215300AJ