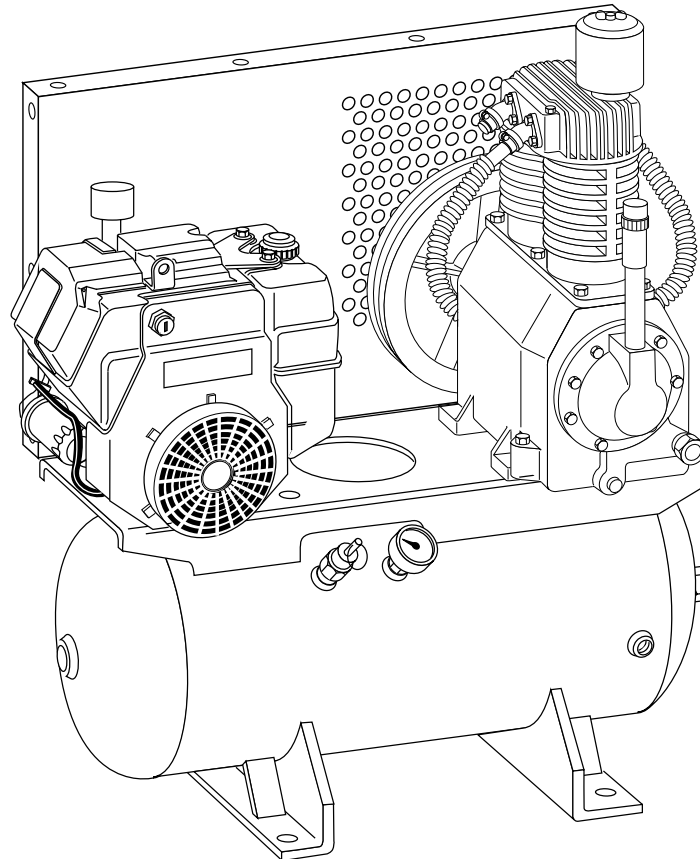


Please read and save this Replacement Parts Manual. Read this manual and the General Operating Instructions carefully before attempting to assemble, install, operate or maintain the product described. Protect yourself and others by observing all safety information. The Safety Instructions are contained in the General Operating Instructions. Failure to comply with the safety instructions accompanying this product could result in personal injury and/or property damage! Retain instructions for future reference.

Speedaire® Gasoline Engine Air Compressor

Refer to Form 5S3528 for General Operating and Safety Instructions



E
N
G
L
I
S
H

E
S
P
A
Ñ
O
L

F
R
A
N
Ç
A
I
S

Specifications

Model	Engine HP	Engine Brand	Type Start	Compressor RPM	Displacement CFM	Free air CFM	Max PSI	Tank Capacity	Dimensions			Unit Weight
									L	W	H	
5F564A	12.5	Kohler	12 Volt	1020	31.4	25.1	175	30 Gal.	42"	19"	45 1/4"	475 Lbs.
4LW38	13	Honda	12 Volt	1020	31.4	25.1	175	30	42	19	45 1/4	475
13H30	13	Honda	12 Volt	1020	31.4	25.1	175	30	42	19	45 1/4	475

For Replacement Parts, call 1-800-323-0620

24 hours a day - 365 days a year

ENGLISH

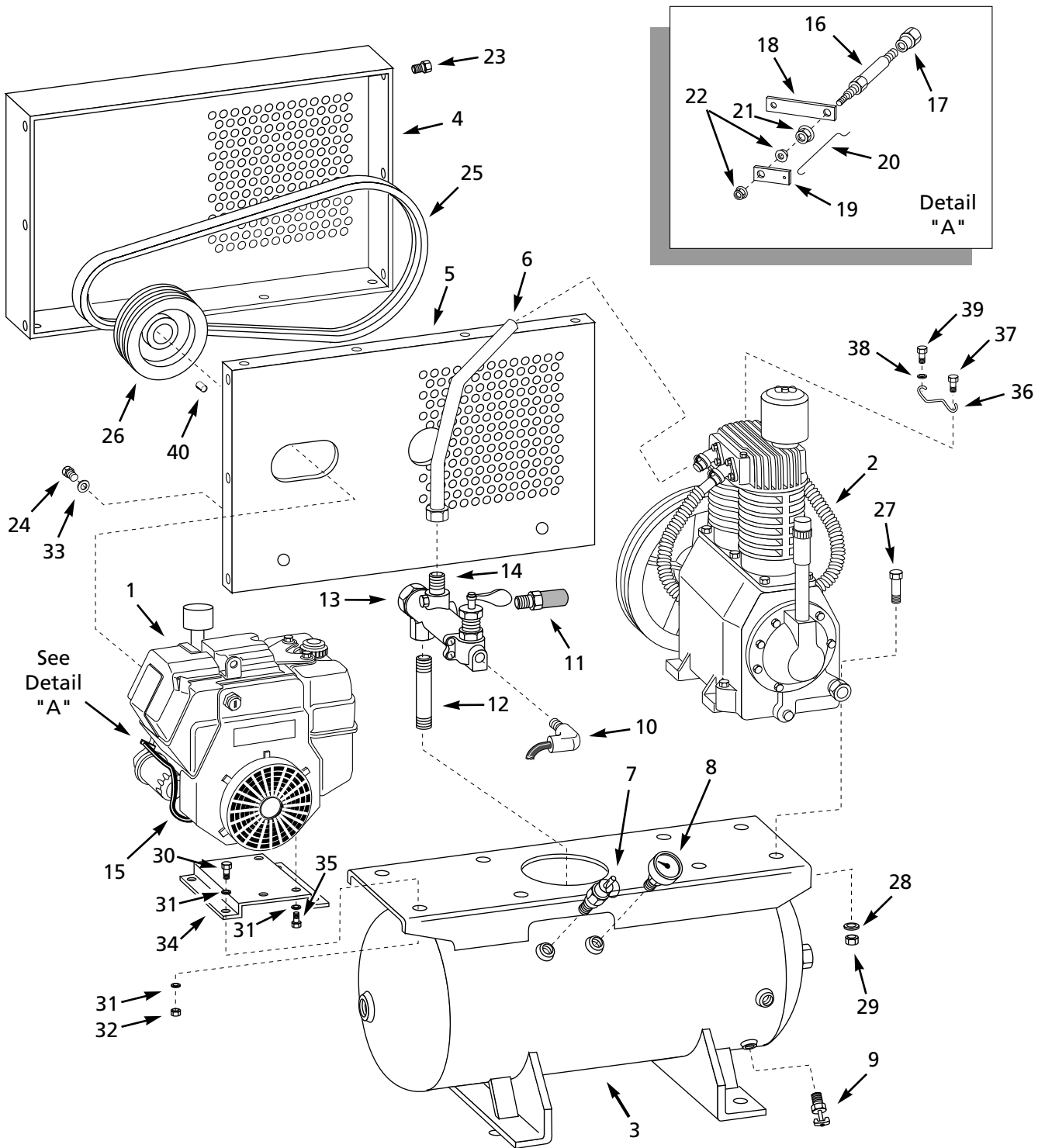


Figure 1 - Replacement Parts Illustration

Replacement Parts List

Please provide following information:

- Model number
- Serial number (if any)
- Part description and number as shown in parts list

Address parts correspondence to:

Grainger Parts Operations
P.O. Box 3074
1657 Shermer Road
Northbrook, IL 60065-3074 U.S.A.

Ref. No.	Description	Part Number	Quantity
1	† (5F564A) 12.5 HP Gas (Kohler) engine	NG010700AV	1
	† (4LW38 & 13H30) 13 HP Gas (Honda) engine	NG003900AV	1
2	Air compressor pump	◆5F566	1
3	30 Gallon tank	TP015001AJ	1
4	Front belt guard	BG300900AV	1
5	Rear belt guard	BG301000AV	1
6	3/4" O.D. tubing	TF061800AP	1
7	Safety valve	V-215200AV	1
8	300 PSI, 1/4" NPT pressure gauge	GA016703AV	1
9	3/8" NPT drain cock	ST127700AV	1
10	1/8" MNPT x 1/4" T 90° Compression fitting	ST015500AV	1
11	Silencer	ST154900AV	1
12	1/2" x 4" Nipple	ST070380AV	1
13	Mark II Load Genie control valve	ST128400AV	1
14	1/2" NPT x 3/4" T Connector	ST072035AV	1
15	1/4" Copper tubing	R-060600AY	36"
16	Air cylinder	CV003500AV	1
17	Straight compression connector, 1/8" MNPT x 1/4" T	ST157000AV	1
18	Cylinder bracket	BG304900AV	1
19	Cylinder to wire bracket	BG302900AV	1
20	.062" O.D. Steel wire	VT031600AV	.208 ft
21	5/16 x 24 Locknut	ST140200AV	1
22	8-32 Locknut	ST145500AV	2
23	#14 x 3/8" Pan head screw	ST073270AV	16
24	5/16 - 12 x 3/4" screw	ST016500AV	2
25	Belt	BT010800AV	1
26	Engine pulley, 5.5" O.D.	PU009770AV	1
27	7/16 - 14 x 1 1/2" Bolt	ST070645AV	4
28	7/16" Washer	ST070916AV	4
29	7/16 - 14 Nut	ST070729AV	4
30	3/8 - 24 Hex head capscrew	ST146300AV	4
31	3/8" Washer	ST070914AV	12
32	3/8" - 24 Locknut	ST145600AV	4
33	5/16" Washer	ST011200AV	2
34	Engine mounting plate	TF064800AV	1
35	3/8 - 16 x 3/4" Hex bolt	ST070640AV	4
36	Belt guard bracket	BG210000AV	1
37	1/4 - 20 x 3/4" Screw	ST074415AV	1
38	1/4" Washer	ST000600AV	1
39	#14 x 3/4" Pan head screw	ST073265AV	1
40	Key	KE001302AV	1

E
N
G
L
I
S
H

(†) Engine and engine parts are available from the engine manufacturer.

(◆) When ordering pump replacement parts, see compressor nameplate for exact model number.

Gasoline Engine Air Compressor

Limited Warranty

Dayton One-Year Limited Warranty. Speedaire gasoline engine air compressors, Models covered in this manual, are warranted by Dayton Electric Mfg. Co. (Dayton) to the original user against defects in workmanship or materials under normal use for one year after date of purchase. Any part which is determined to be defective in material or workmanship and returned to an authorized service location, as Dayton designates, shipping costs prepaid, will be, as the exclusive remedy, repaired or replaced at Dayton's option. For limited warranty claim procedures, see PROMPT DISPOSITION below. This limited warranty gives purchasers specific legal rights which vary from jurisdiction to jurisdiction.

Limitation of Liability. To the extent allowable under applicable law, Dayton's liability for consequential and incidental damages is expressly disclaimed. Dayton's liability in all events is limited to and shall not exceed the purchase price paid.

Warranty Disclaimer. Dayton has made a diligent effort to provide product information and illustrate the products in this literature accurately; however, such information and illustrations are for the sole purpose of identification, and do not express or imply a warranty that the products are merchantable, or fit for a particular purpose, or that the products will necessarily conform to the illustrations or descriptions.

Except as provided below, no warranty or affirmation of fact, expressed or implied, other than as stated in the "LIMITED WARRANTY" above is made or authorized by Dayton.

Product Suitability. Many jurisdictions have codes and regulations governing sales, construction, installation, and/or use of products for certain purposes, which may vary from those in neighboring areas. While Dayton attempts to assure that its products comply with such codes, it cannot guarantee compliance, and cannot be responsible for how the product is installed or used. Before purchase and use of a product, review the product applications, and all applicable national and local codes and regulations, and be sure that the product, installation, and use will comply with them.

Certain aspects of disclaimers are not applicable to consumer products; e.g., (a) some jurisdictions do not allow the exclusion or limitation of incidental or consequential damages, so the above limitation or exclusion may not apply to you; (b) also, some states do not allow a limitation on how long an implied warranty lasts, consequentially the above limitation may not apply to you; and (c) by law, during the period of this limited warranty, any implied warranties of implied merchantability or fitness for a particular purpose applicable to consumer products purchased by consumers, may not be excluded or otherwise disclaimed.

Prompt Disposition. Dayton will make a good faith effort for prompt correction or other adjustment with respect to any product which proves to be defective within limited warranty. For any product believed to be defective within limited warranty, first write or call dealer from whom the product was purchased. Dealer will give additional directions. If unable to resolve satisfactorily, write to Dayton at address below, giving dealer's name, address, date, and number of dealer's invoice, and describing the nature of the defect. Title and risk of loss pass to buyer on delivery to common carrier. If product was damaged in transit to you, file claim with carrier.

Manufactured for Dayton Electric Mfg. Co., 5959 W. Howard St., Niles, Illinois 60714 U.S.A.