

Operating Instructions

Model JB006750

Please read and save these instructions. Read carefully before attempting to assemble, install, operate or maintain the product described. Protect yourself and others by observing all safety information. Failure to comply with instructions could result in personal injury, death and/or property damage! Retain instructions for future reference.



Finishing Nailer

Table of Contents

General Safety1-3
 Specifications 2
 Operating The Nailer 3-5
 Operational Mode 4
 Troubleshooting 7
 Warranty 8

Description

This nailer is designed for decorative trim, molding, window casings, furniture trim and picture frame assembly. Features include: convenient top loading magazine which holds up to 100 nails, no-mar tip, adjustable exhaust, single cycle trigger, quick clear nose, and an adjustable depth of drive mechanism.

General Safety Information

CALIFORNIA PROPOSITION 65

⚠ DANGER

You can create dust when you cut, sand, drill or grind materials such as wood, paint, metal, concrete, cement, or other masonry. This dust often contains chemicals known to cause cancer, birth defects, or other reproductive harm. Wear protective gear.



This manual contains safety, operational and maintenance information. Contact your Campbell Hausfeld representative if you have any questions.

OPERATOR'S RESPONSIBILITY:

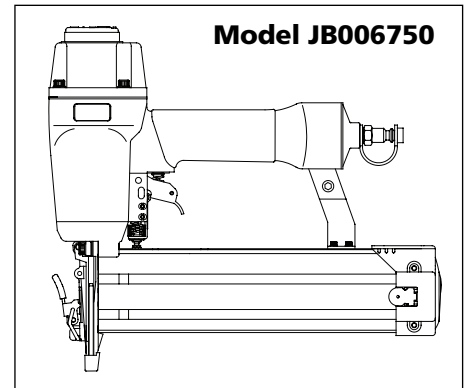
The tool operator is responsible for:

- Reading and understanding tool labels and manual.
- Selecting an appropriate tool actuation system, taking into consideration the work application for which the tool is used.
- The safe use of the tool.
- Ensuring that the tool is used only when the operator and all other personnel in the work area are wearing ANSI Z87 eye protection equipment, and when required, other appropriate protection equipment such as head, hearing and foot protection equipment. Serious eye or permanent hearing loss could result.
- Assuring that the tool is kept in safe working order as described in this manual.



EMPLOYER'S RESPONSIBILITY:

- Selecting an appropriate tool actuation system, taking into consideration the work application for which the tool is used.
- Ensuring that this manual is available to operators and personnel performing maintenance.
- The safe use of the tool.
- Enforcing that the tool is used only when the operator and all other personnel in the work area are wearing ANSI Z87 eye protection equipment, and when required, other appropriate protection equipment such as head, hearing and foot protection equipment. Serious eye or permanent hearing loss could result.



Locate model and date code on tool and record below:

Model No. _____

Date Code _____

Retain these numbers for future reference.

tion equipment such as head, hearing and foot protection equipment. Serious eye or permanent hearing loss could result.

- Assuring that the tool is kept in safe working order as described in this manual.
- Assuring the proper maintenance of all tools in employer's possession.
- Ensuring that tools which require repair are not further used before repair. Tags and physical segregation are recommended means of control.


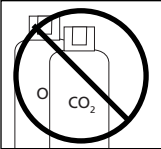


⚠ DANGER

Danger indicates

an imminently hazardous situation which, if not avoided, WILL result in death or serious injury.

REMINDER: Keep your dated proof of purchase for warranty purposes! Attach it to this manual or file it for safekeeping.

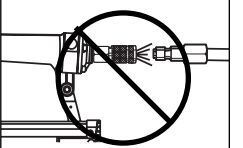

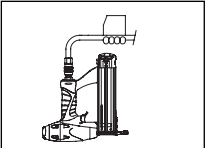
General Safety Information (Continued)

- **Read and understand tool labels and manual.** Failure to follow warnings, dangers, and cautions could result in **DEATH or SERIOUS INJURY.** 
- **Do not use any type of reactive gases, including, but not limited to, oxygen and combustible gases, as a power source.** Use filtered, lubricated, regulated compressed air only. Use of a reactive gas instead of compressed air may cause the nailer to explode which will cause death or serious personal injury. 
- **Use only a pressure-regulated compressed air source to limit the air pressure supplied to the tool.** The regulated pressure must not exceed 110 psi. If the regulator fails, the pressure delivered to the tool must not exceed 200 psi. The nailer could explode which will cause death or serious personal injury. 
- **Never use gasoline or other flammable liquids to clean the nailer.** Never use the nailer in the presence of flammable liquids or gases. Vapors could ignite by a spark and 

cause an explosion which will result in death or serious personal injury.

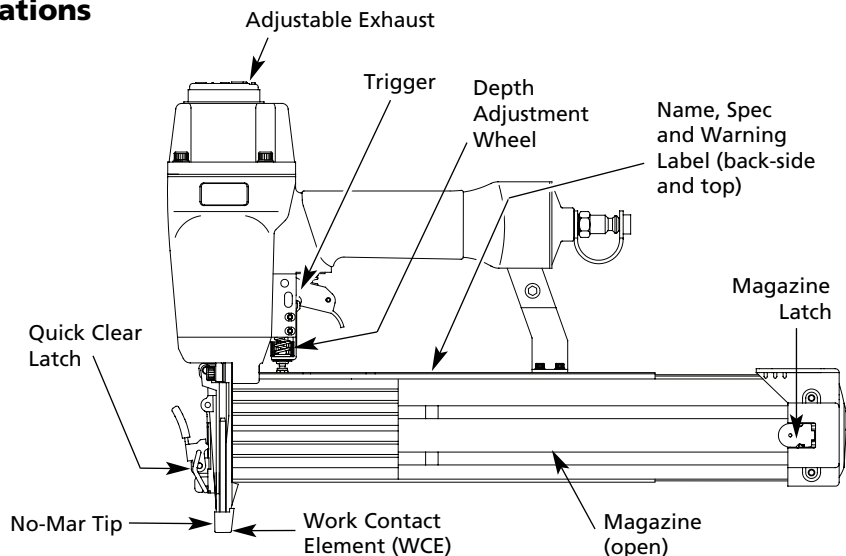
- **Always remain in a firmly balanced position when using or handling the nailer.** 
 - **Do not remove, tamper with, or otherwise cause the Work Contact Element (WCE) or trigger to become inoperable.** Do not operate any tool which has been modified in a like fashion. Death or serious personal injury could result. 
 - **Do not touch the trigger unless driving nails.** Never attach air line to nailer or carry nailer while touching the trigger. The tool could eject a fastener which will result in death or serious personal injury. 
- ⚠ WARNING** Warning indicates a potentially hazardous situation which, if not avoided, **COULD** result in death or serious injury.
- **Always disconnect the tool from the power source when unattended, performing any maintenance or repair, clearing a jam, or moving the tool to a new** 

location. Always reconnect the air line **BEFORE** loading any fasteners. Do not load the tool with fasteners when either the trigger is depressed or the Work Contact Element (WCE) is engaged. The nailer could eject a fastener causing death or serious personal injury.

- **Always fit tool with a fitting or hose coupling on or near the tool in such a manner that all compressed air in the tool is discharged at the time the fitting or hose coupling is disconnected.** Do not use a check valve or any other fitting which allows air to remain in the nailer. Death or serious personal injury could occur. 
- **Never place hands or any other body parts in the nail discharge area of the nailer.** The nailer might eject a fastener and could result in death or serious personal injury. 
- **Never carry the nailer by the air hose or pull the hose to move the nailer or a compressor.** Keep hoses away from heat, oil and sharp edges. Replace any hose that is damaged, weak or worn. Personal injury or tool damage could occur. 

Nailer Components And Specifications

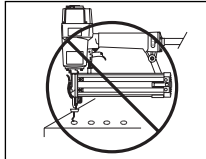
- **REQUIRES:** 0.7 SCFM with 10 nails per minute @ 90 psi
- **AIR INLET:** 1/4" NPT
- **NAIL SIZE RANGE:** 1" to 2-1/2"
- **MAGAZINE CAPACITY:** 100 Nails per load, 16 gauge
- **WEIGHT:** 4 lbs., 15 oz.
- **LENGTH:** 12-1/2"
- **HEIGHT:** 11-7/8"
- **MAXIMUM PRESSURE:** 110 psi
- **PRESSURE RANGE:** 70 - 110 psi



General Safety Information (Continued)

- Always assume the nailer contains nails. Respect the tool as a working implement; no horseplay. Always keep others at a safe distance from the work area in case of accidental discharge of nails. Do not point the tool toward yourself or anyone whether it contains fasteners or not. Accidental triggering of the nailer could result in death or serious personal injury.

- Do not drive a nail on top of other nails. The nail could glance and cause death or a serious puncture wound.



- Do not operate or allow anyone else to operate the nailer if any warnings or warning labels are not legible. Warnings or warning labels are located on the nailer magazine and body.



- Do not drop or throw the tool. Dropping or throwing the tool can result in damage that will make the tool unusable or unsafe. If the tool has been dropped or thrown, examine the tool closely for bent, cracked or broken parts and air leaks. STOP and repair before using or serious injury could occur.

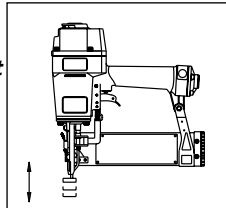
CAUTION Caution indicates a potentially hazardous situation which, if not avoided, MAY result in minor or moderate injury.

- Do not make any modifications to the tool without first obtaining written

approval from Campbell Hausfeld. Do not use the nailer if any shields or guards are removed or altered. Do not use the nailer as a hammer. Personal injury or tool damage may occur.

- Avoid long extended periods of work with the nailer. Stop using the nailer if you feel pain in hands or arms.

- Always check that the Work Contact Element (WCE) is operating properly. A nail could accidentally be driven if the WCE is not working properly. Personal injury may occur (See "Checking the Work Contact Element" Section).



- Disconnect air supply and release tension from the pusher before attempting to clear jams because fasteners can be ejected from the front of the nailer. Personal injury may occur.

NOTICE Notice indicates important information, that if not followed, MAY cause damage to equipment.

- Avoid using the nailer when the magazine is empty. Accelerated wear on the nailer may occur.
- Clean and check all air supply hoses and fittings before connecting the nailer to an air supply. Replace any damaged or worn hoses or fittings. Tool performance or durability may be reduced.
- Air compressors providing air to the nailer should follow the requirements established by the American National Standards Institute

Standard B19.3-1991; Safety Standard for Compressors for Process Industries. Contact your air compressor manufacturer for information.

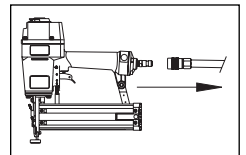
Operating The Nailer

LUBRICATION

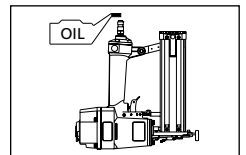
This nailer requires lubrication before using the nailer for the first time and before each use. If an inline oiler is used, manual lubrication through the air inlet is **not** required on a daily basis.

NOTICE The work surface can become damaged by excessive lubrication. Proper lubrication is the owner's responsibility. Failure to lubricate the nailer properly will dramatically shorten the life of the nailer and void your warranty.

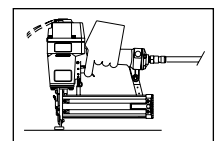
1. Disconnect the air supply from the nailer to add lubricant.



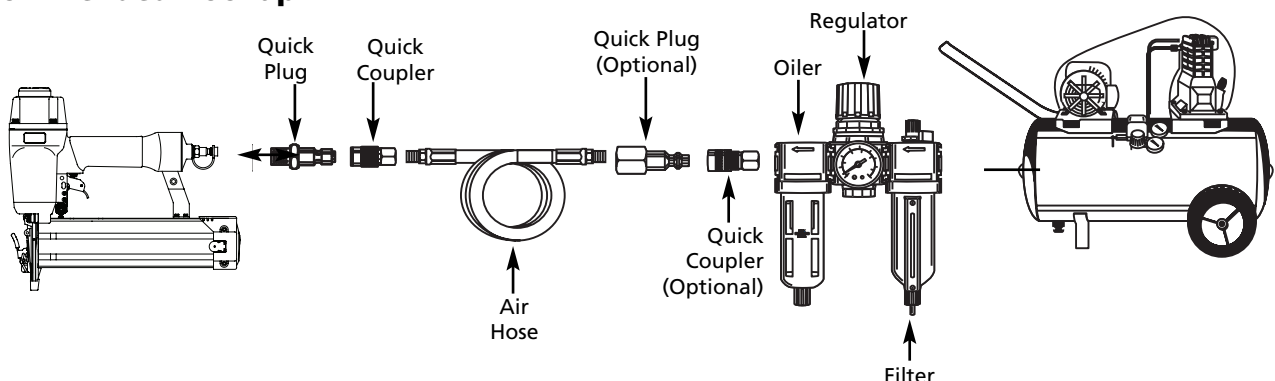
2. Turn the nailer so the air inlet is facing up. Place 4-5 drops of 30 W non-detergent oil into air inlet. Do not use detergent oils, oil additives, or air tool oils. Air tool oils contain solvents which will damage the nailer's internal components.



3. After adding oil, run nailer briefly. Wipe off any excess oil from the cap exhaust.



Recommended Hookup

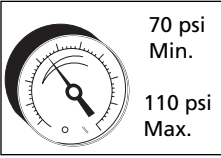
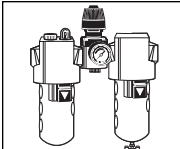


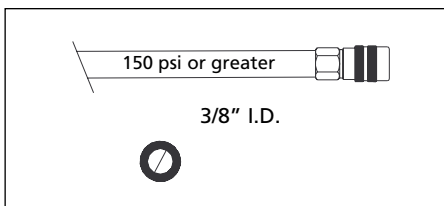
Operating The Nailer

(Continued)

RECOMMENDED HOOKUP

The illustration below shows the recommended hookup for the nailer.

- The air compressor must be able to maintain a minimum of 70 psi when the nailer is being used. An inadequate air supply can cause a loss of power and inconsistent driving.
 
- An oiler can be used to provide oil circulation through the nailer. A filter can be used to remove liquid and solid impurities which can rust or "gum up" internal parts of the nailer.
 
- Always use air supply hoses with a minimum working pressure rating equal to or greater than the pressure from the power source if a regulator fails, or 150 psi, whichever is greater. Use 3/8" air hose for runs up to 50'. Use 1/2" air hoses for 50' run or longer. For better performance, install a 3/8" quick plug (1/4" NPT threads) with an inside diameter of .315" (8mm) on the nailer and a 3/8" quick coupler on the air hose.



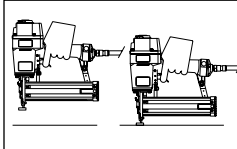
- Use a pressure regulator on the compressor, with an operating pressure of 0 - 125 psi. A pressure regulator is required to control the operating pressure of the nailer between 70 and 110 psi.

OPERATIONAL MODE

WARNING Always know the operational mode of the nailer before using. Failure to know the operational mode could result in death or serious personal injury.

SINGLE CYCLE MODE

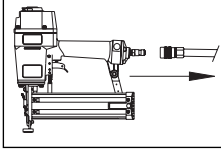
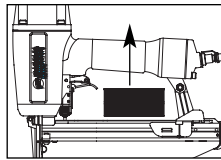
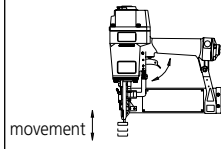
This mode requires the trigger to be pulled each time a nail is driven. The nailer can be actuated by depressing the WCE against the work surface followed by pulling the trigger.



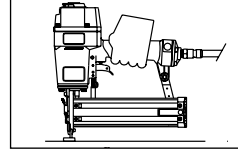
The trigger must be released to reset the tool before another nail can be driven.

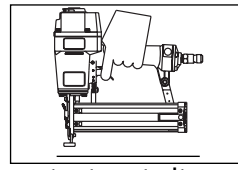
WORK CONTACT ELEMENT (WCE)

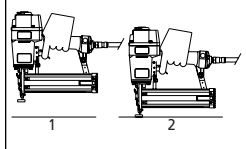
CAUTION Check the operation of the Work Contact Element (WCE) trip mechanism before each use. The WCE must move freely without binding through its entire travel distance. The WCE spring must return the WCE to its fully extended position after being depressed. Do not operate the nailer if the WCE trip mechanism is not operating properly. Personal injury may occur.

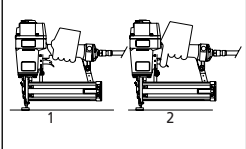
- Disconnect the air supply from the nailer.
 
- Remove all nails from the magazine (see Loading/Unloading).
 
- Make sure the trigger and work contact element (WCE) move freely up and down without sticking or binding.
 

- Reconnect air supply to the nailer.
 

- Depress the Work Contact Element (WCE) against the work surface without pulling the trigger. The nailer **MUST NOT OPERATE**. Do not use the tool if it operates without pulling the trigger. Personal injury may result.
 

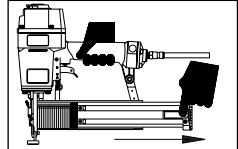
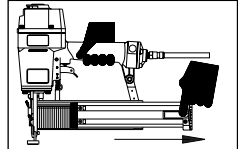
- Remove the nailer from the work surface. The Work Contact Element (WCE) must return to its original down position. The nailer **MUST NOT OPERATE**. Do not use the tool if it operates while lifted from the work surface. Personal injury may result.
 

- Pull the trigger and depress the work contact element (WCE) against the work surface. The nailer **MUST NOT OPERATE**.
 

- Depress the Work Contact Element (WCE) against the work surface. Pull the trigger. The nailer **MUST OPERATE**.
 

WARNING An improperly functioning tool must not be used. Do not actuate the tool unless the tool is placed firmly against the work piece.

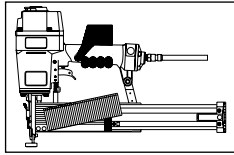
LOADING/UNLOADING THE NAILER

- Always **connect** the tool to the air supply before **loading** fasteners.
 
- Press down on the release latch. Pull back on the magazine cover.
 

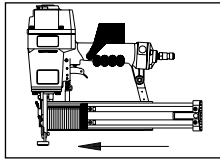
Operating The Nailer

(Continued)

3. Insert a stick of Campbell Hausfeld nails or equivalent (see Fastener Section) into the magazine. Make sure the pointed ends of the nails are resting on the bottom ledge of the magazine when loading. Make sure the nails are not dirty or damaged.



4. Push the magazine cover forward until the latch catches.

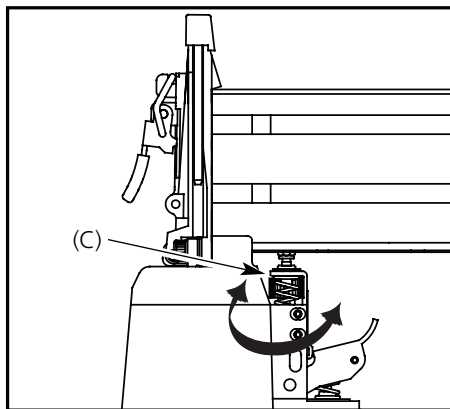


5. Always unload all fasteners before removing tool from service. **Unloading** is the reverse of loading, except always **disconnect** the air hose before unloading.

ADJUSTING THE NAIL PENETRATION

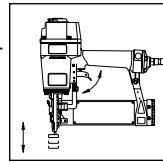
The tool is equipped with an adjustable depth of drive feature. This allows the user to determine how deep a fastener will be driven into the work surface.

1. Adjust operating pressure so nails are driven consistently. Do not exceed 110 psi.
2. To drive the nail shallower, turn the wheel (C) to left to the extent desired.



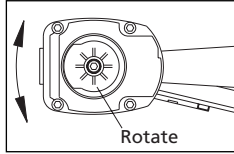
3. To sink a nail deeper, turn the wheel (C) to right to the extent desired.

4. Make sure trigger and work contact element (WCE) move freely up and down without binding or sticking after each adjustment.



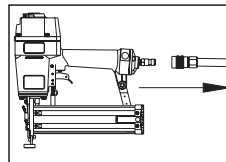
ADJUSTING THE DIRECTION OF THE EXHAUST

The tool is equipped with an adjustable direction exhaust deflector. This is intended to allow the user to change the direction of the exhaust. Simply twist the deflector to any direction desired.

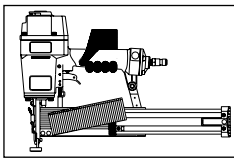


CLEARING A JAM FROM THE NAILER

1. Disconnect the air supply from the nailer.

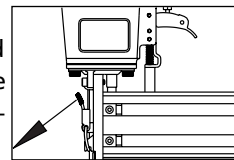


2. Remove all nails from the magazine (see Loading/Unloading).

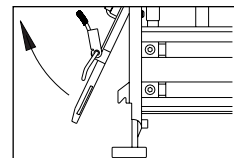


Failure to do so will cause the nails to eject from the front of the tool.

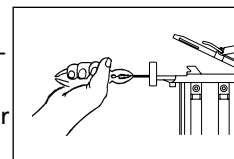
3. Undo latch by pulling out and down. The wire latch will disengage from the hooks on the nose.



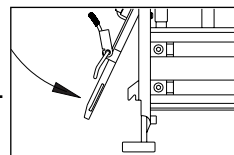
4. The door can now be rotated, exposing the jammed fastener.



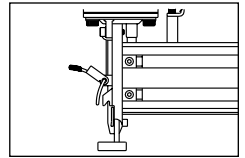
5. Remove the jammed fastener, using pliers or a screwdriver if required.



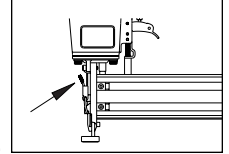
6. Rotate door back into the closed position.



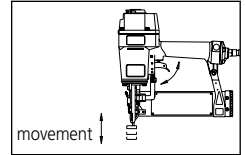
7. Extend the wire latch and place over the hooks on the nose.



8. Close the latch by pushing the latch up and in until the latch snaps into place.



9. Make sure the trigger and work contact element (WCE) move freely up and down without sticking or binding.



Technical Support

Please call our Nailer Hotline at 1-800-543-6400 with any questions regarding the operation or repair of this nailer or for additional copies of this manual.

Fastener And Replacement Parts

WARNING Use only genuine Campbell Hausfeld 16 gauge fasteners (or equivalent) - see Fastener Interchange Information. Tool performance, safety and durability could be reduced if improper fasteners are used. When ordering replacement parts or fasteners, specify by part number.

Nailer Repair

Only qualified personnel should repair the tool and they should use genuine Campbell Hausfeld replacement parts and accessories, or parts and accessories which perform equivalently.

Assembly Procedure For Seals

When repairing a nailer, the internal parts must be cleaned and lubricated. Parker O-lube or equivalent must be used on all o-rings. Each o-ring must be coated with O-lube before assembling. A small amount of oil must be used on all moving surfaces and pivots. After reassembling, a few drops of 30W non-detergent oil or equivalent, must be added through the air line before testing.

Fasteners

The following Campbell Hausfeld finishing nails are available at local retail stores. If you need help locating any item, call customer service at 1-800-543-6400. Campbell Hausfeld nails meet or exceed ASTM Standard F1667.

Model #	Length	Shank Gauge	Finish	Head	Collation	Nails Per Stick	Nails Per Box
FB003060	1-1/4"	16 Gauge	Galvanized	Brad	Adhesive	50	2500
FB004060	1-1/2"	16 Gauge	Galvanized	Brad	Adhesive	50	2500
FB004560	1-3/4"	16 Gauge	Galvanized	Brad	Adhesive	50	2500
FB005060	2"	16 Gauge	Galvanized	Brad	Adhesive	50	2500
FB006560	2-1/2"	16 Gauge	Galvanized	Brad	Adhesive	50	2500
FB160025	1"	16 Gauge	Galvanized	Brad	Adhesive	50	1000
FB160040	1-1/2"	16 Gauge	Galvanized	Brad	Adhesive	50	1000
FB160050	2"	16 Gauge	Galvanized	Brad	Adhesive	50	1000
FB160065	2-1/2"	16 Gauge	Galvanized	Brad	Adhesive	50	1000

Interchange Information

Nails used in the Campbell Hausfeld JB006750 Finishing Nailer will also work in Hitachi NT65A, Paslode 3250-F16, IM250F, Duo Fast LFN-764, Sears 18321, Porter Cable FN200, FN250 and Campbell Hausfeld NB0064.

Troubleshooting Guide

⚠WARNING *Stop using nailer immediately if any of the following problems occur. Serious personal injury could result. Any repairs or replacements must be done by a Qualified Service Person or Authorized Service Center.*

Problem	Cause	Solution
Air leaking at trigger valve	O-Rings in trigger valve housing are damaged	Replace O-Rings. Check operation of Work Contact Element (WCE)
Air leaking between housing and nose	Loose screws in housing Damaged O-Rings Damage to bumper	Tighten screws Replace O-Rings Replace bumper
Air leaking between housing and cap	Loose screws Damaged gasket	Tighten screws Replace gasket
Nailer skips driving nail	Worn bumper Dirt in nose piece Dirt or damage prevent nails or pusher from moving freely in magazine Damaged pusher spring Inadequate air flow to nailer Worn O-Ring on piston or lack of lubrication Damaged O-Ring on trigger valve	Replace bumper Clean drive channel Clean magazine Replace spring Check fitting, hose or compressor Replace and lubricate O-Rings Replace O-Rings
Nailer runs slow or has loss of power	Air leaks Cap gasket leaking	Tighten screws and fittings Replace gasket
Nails are jammed in nailer	Nailer not lubricated sufficiently Broken spring in cylinder cap Exhaust port in cap is blocked	Lubricate nailer Replace spring Replace damaged internal parts
	Guide on driver is worn Nails are not correct size Nails are bent Magazine or nose screws are loose Driver is damaged	Replace guide Use only recommended nails Replace with undamaged nails Tighten screws Replace driver

Limited Warranty

1. DURATION: From the date of purchase by the original purchaser as follows: Campbell Hausfeld – Three (3) Years.
2. WHO GIVES THIS WARRANTY (WARRANTOR): Campbell Hausfeld / Scott Fetzer Company, 100 Production Drive, Harrison, Ohio, 45030, Telephone: (800) 543-6400
3. WHO RECEIVES THIS WARRANTY (PURCHASER): The original purchaser (other than for purposes of resale) of the Campbell Hausfeld product.
4. WHAT PRODUCTS ARE COVERED BY THIS WARRANTY: Any Campbell Hausfeld nailer, stapler, air tool, spray gun, inflator or air accessory supplied or manufactured by Warrantor.
5. WHAT IS COVERED UNDER THIS WARRANTY: Substantial defects in material and workmanship which occur within the duration of the warranty period.
6. WHAT IS NOT COVERED UNDER THIS WARRANTY:
 - A. Implied warranties, including those of merchantability and FITNESS FOR A PARTICULAR PURPOSE ARE LIMITED FROM THE DATE OF ORIGINAL PURCHASE AS STATED IN THE DURATION. If this product is used for commercial, industrial or rental purposes, the warranty will apply for ninety (90) days from the date of purchase. Some States do not allow limitation on how long an implied warranty lasts, so the above limitations may not apply to you.
 - B. ANY INCIDENTAL, INDIRECT, OR CONSEQUENTIAL LOSS, DAMAGE, OR EXPENSE THAT MAY RESULT FROM ANY DEFECT, FAILURE, OR MALFUNCTION OF THE CAMPBELL HAUSFELD PRODUCT. Some States do not allow the exclusion or limitation of incidental or consequential damages, so the above limitation or exclusion may not apply to you.
 - C. Any failure that results from an accident, purchaser's abuse, neglect or failure to operate products in accordance with instructions provided in the owner's manual(s) supplied with product. Accident, purchaser's abuse, neglect or failure to operate products in accordance with instructions shall also include the removal or alteration of any safety devices. If such safety devices are removed or altered, this warranty is void.
 - D. Normal adjustments which are explained in the owner's manual(s) provided with the product.
 - E. Items or service that are normally required to maintain the product, i.e. o-rings, springs, bumpers, debris shields, driver blades, fuses, batteries, gaskets, packings or seals, fluid nozzles, needles, sandblast nozzles, lubricants, material hoses, filter elements, motor vanes, abrasives, blades, cut-off wheels, chisels, chisel retainers, cutters, collets, chucks, rivet jaws, screw driver bits, sanding pads, back-up pads, impact mechanism, or any other expendable part not specifically listed. These items will only be covered for ninety (90) days from date of original purchase. Underlined items are warranted for defects in material and workmanship only.
 - F. Cosmetic defects that do not interfere with the product's function.
7. RESPONSIBILITIES OF WARRANTOR UNDER THIS WARRANTY: Repair or replace, at Warrantor's option, products or components which are defective, have malfunctioned and/or failed to conform within duration of the warranty period.
8. RESPONSIBILITIES OF PURCHASER UNDER THIS WARRANTY:
 - A. Provide dated proof of purchase and maintenance records.
 - B. Call Campbell Hausfeld (800-424-8936) to obtain your warranty service options. Freight costs must be borne by the purchaser.
 - C. Use reasonable care in the operation and maintenance of the products as described in the owner's manual(s).
9. WHEN WARRANTOR WILL PERFORM REPAIR OR REPLACEMENT UNDER THIS WARRANTY: Repair or replacement will be scheduled and serviced according to the normal work flow at the servicing location, and depending on the availability of replacement parts.

This Limited Warranty applies in the United States, Canada and Mexico only and gives you specific legal rights. You may also have other rights which vary from state to state or country to country.

S'il vous plaît lire et conserver ces instructions. Lire attentivement avant de monter, installer, utiliser ou de procéder à l'entretien du produit décrit. Se protéger ainsi que les autres en observant toutes les instructions de sécurité, sinon, il y a risque de blessure et/ou dégâts matériels! Conserver ces instructions comme référence.



Cloueuse Pour Finition

Table des Matières

Directives de Sécurité	1-3
Spécifications	2
Utilisation de la Cloueuse	3-6
Mode d'Emploi	4
Guide de Dépannage	7
Garantie	8

Description

Cette cloueuse est conçue pour boiseries, moulures intérieures, plinthes, panneaux et armoires. Caractéristiques: pratique magasin à chargement dessus pour un maximum de 100 clous, embout ne laissant pas de marque, éjection réglable, gâchette à un coup, buse à dégagement rapide, réglage de pénétration des clous.

Généralités sur la Sécurité

PROPOSITION 65 CALIFORNIE

▲ DANGER

Vous pouvez créer de la poussière en coupant, ponçant, perçant ou meulant les matériaux tels que le bois, la peinture, le métal, le béton, le ciment ou autre maçonnerie. Cette poussière contient souvent des produits chimiques reconnus pour causer le cancer, les déformations congénitales ou autres problèmes de la reproduction. Portez de l'équipement de protection.

Ce manuel contient des informations concernant la sécurité, le fonctionnement et l'entretien. Contacter votre représentant Campbell Hausfeld si vous avez des questions.



RESPONSABILITÉ DE L'UTILISATEUR

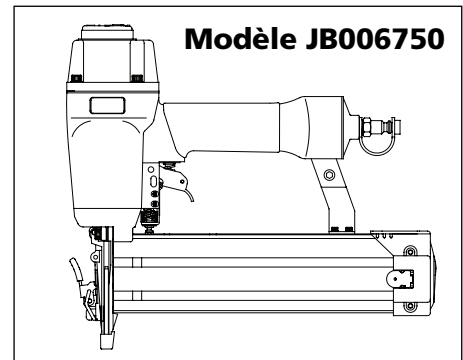
L'opérateur de l'outil est responsable de :

- Lire et comprendre les étiquettes et le manuel sur les outils.
- Choisir un système d'activation de l'outil approprié en tenant compte de l'application de travail prévue pour l'outil.
- L'utilisation sécuritaire de l'outil.
- S'assurer que l'outil est utilisé seulement lorsque l'opérateur et tout autre personnel dans l'aire de travail portent un équipement de protection oculaire ANSI Z87 et, s'il y a lieu, d'autre équipement de protection appropriée tel que de l'équipement de protection pour la tête, les oreilles et les pieds. Il pourrait y avoir de graves lésions oculaires ou perte auditive.
- S'assurer que l'outil soit conservé en bon état tel que décrit dans ce manuel.



RESPONSABILITÉ DE L'EMPLOYEUR

- Choisir un système d'activation de l'outil approprié en tenant compte de l'application de travail prévue pour l'outil.
- S'assurer que ce manuel soit disponible pour les opérateurs et le personnel responsable de l'entretien.
- L'utilisation sécuritaire de l'outil.
- S'assurer que l'outil est utilisé seulement lorsque l'opérateur et tout autre personnel dans l'aire de travail portent un équipement de protection oculaire ANSI Z87 et, s'il y a



Modèle JB006750

Inscrire ci-dessous le numéro de modèle et le code date se trouvant sur l'appareil :

N° du Modèle _____

Code de date _____

Conserver ces numéros
comme référence.

lieu, d'autre équipement de protection appropriée tel que de l'équipement de protection pour la tête, les oreilles et les pieds. Il pourrait y avoir de graves lésions oculaires ou perte auditive.

- S'assurer que l'outil soit conservé en bon état tel que décrit dans ce manuel.
- S'assurer du bon entretien de tous les outils de l'employeur.
- S'assurer que les outils qui doivent être réparés ne soient plus utilisés avant leur réparation. Les moyens de contrôle sont les étiquettes et la ségrégation physique.

▲ DANGER

Danger indique

une situation hasardeuse imminente qui RÉSULTERA en perte de vie ou blessures graves.

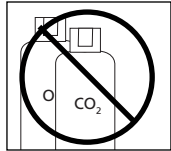
**MÉMENTO: Gardez votre preuve datée d'achat à fin de la garantie!
Joignez-la à ce manuel ou classez-la dans un dossier pour plus de sécurité.**

Généralités sur la Sécurité (suite)

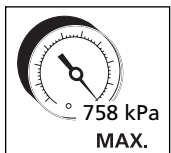
- Lire et comprendre les étiquettes et le manuel sur les outils. Ne pas suivre les avertissements, les dangers et les mises en garde pourrait causer la MORT ou de GRAVES BLESSURES.



- Ne pas utiliser comme source d'alimentation tout type de gaz réactif, y compris, mais sans s'y limiter, de l'oxygène et des gaz combustibles. Utiliser seulement de l'air comprimé filtré, lubrifié et réglé. Utiliser un gaz réactif au lieu d'air comprimé pourrait faire exploser la cloueuse ce qui pourrait provoquer des blessures graves voire la mort.



- Utiliser seulement une source d'air comprimé à pression pour limiter la pression d'air fournie à l'outil. La pression contrôlée ne doit pas dépasser 758 kPa. S'il y a une défaillance du régulateur, la pression livrée à l'outil ne doit pas dépasser 1 379 kPa. La cloueuse pourrait exploser ce qui pourrait mener à la mort ou à des blessures graves.



- Ne jamais utiliser de l'essence ni les fluides inflammables

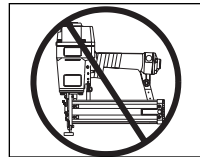


pour le nettoyage de la cloueuse. Ne jamais utiliser la cloueuse près d'un liquide ou gaz inflammable. Une étincelle peut allumer les vapeurs et causer une explosion qui peut résulter en perte de vie ou blessures graves personnelles.

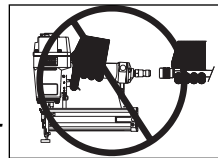
- Toujours bien s'équilibrer pendant la manipulation ou l'utilisation de la cloueuse.



- Ne pas retirer, modifier ou faire quoique ce soit qui pourrait rendre la gâchette ou le mécanisme de déclenchement par contact (WCE) inutilisable. Ne pas faire fonctionner d'outil qui a été modifié de cette façon. Cela pourrait mener à la mort ou à de graves blessures



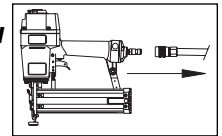
- Ne toucher à la gâchette qu'au moment de poser des clous. Ne jamais actionner la gâchette durant le transport de la cloueuse ou durant le raccordement de celle-ci au tuyau d'air comprimé. L'éjection accidentelle d'un clou peut causer des blessures graves ou mortelles.



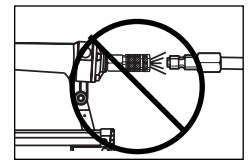
AVERTISSEMENT

Avertissement indique une situation hasardeuse potentielle qui PEUT résulter en perte de vie ou blessures graves.

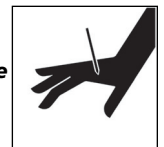
- Toujours débrancher l'outil de la source de courant en votre absence, en effectuant des réparations ou son entretien, en débloquent l'appareil ou en le déplaçant ailleurs. Le raccordement du tuyau d'air comprimé doit toujours s'effectuer AVANT le chargement du magasin. Ne pas charger l'outil d'attaches lorsque la gâchette est enfoncée ou lorsque le mécanisme de déclenchement par contact (WCE) est engagé. L'éjection accidentelle d'un clou peut causer des blessures graves ou mortelles.



- Toujours installer un raccord ou un tuyau de raccord sur ou près de l'outil afin que tout air comprimé de l'outil soit déchargé au moment où l'on débranche le raccord ou le boyau. Ne pas utiliser un clapet ni autre raccord qui permet que l'air reste dans la cloueuse. Cela peut entraîner des blessures graves ou mortelles.

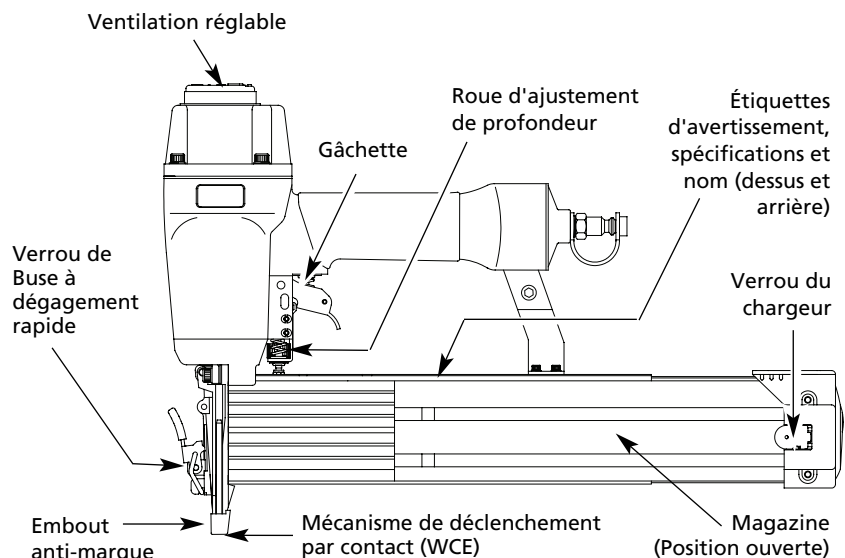


- Ne jamais poser l'embout de clouage sur la main ou sur toute autre partie du corps. L'éjection accidentelle d'un clou peut causer des blessures graves ou mortelles.



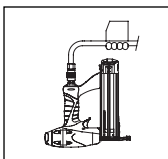
Pièces Détachées et Spécifications de la Cloueuse

- **EXIGE:** 0,02 m³/min avec 10 clous par minute à 621 kPa
- **PRISE D'AIR:** 1/4 po NPT
- **TAILLES DE CLOUS:** 2,54 cm à 6,35 cm (1 po à 2-1/2 po)
- **CAPACITÉ DU CHARGEUR:** 100 Clous par charge, calibre 16
- **POIDS:** 2,24 kg
- **LONGUEUR:** 31,75 cm (12-1/2 po)
- **HAUTEUR:** 30,16 cm (11-7/8 po)
- **PRESSION MAXIMALE:** 758 kPa
- **GAMME DE PRESSION:** 483 - 758 kPa



Généralités sur la Sécurité (suite)

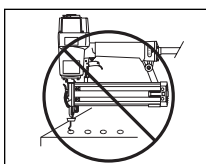
- **Ne jamais transporter la cloueuse par le tuyau à air. Ne jamais tirer sur le tuyau pour déplacer la cloueuse ou le compresseur.**



Garder le tuyau à air à l'écart de la chaleur, l'huile et les objets pointus. Remplacer les tuyaux endommagés, faibles ou usés. Sinon, il y a risque de blessures personnelles ou de dommage à l'outil.

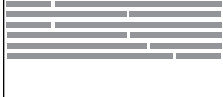
- **Toujours prendre pour acquis que la cloueuse contient des clous. Respecter l'outil comme accessoire de travail non pas un jouet. Donc aucun jeu brutal. Toujours garder les autres personnes à une distance de sécurité de l'aire de travail en cas de décharge accidentelle des clous. Ne pas pointer l'outil vers vous ou vers quelqu'un d'autre qu'il y ait ou non des attaches dans la cloueuse. Le déclenchement accidentel de la cloueuse pourrait causer la mort ou de graves blessures.**

- **Ne jamais enfoncer les clous un par-dessus l'autre. Le clou pourrait ricocher et causer la mort ou une blessure grave de perforation.**



- **Ne pas utiliser la cloueuse ni permettre qu'une autre personne l'utilise si les avertissements ou les étiquettes d'avertissement situés sur le chargeur et corps de la cloueuse ne sont pas lisibles.**

AVERTISSEMENT



- **Ne pas échapper ni jeter l'outil car ceci peut causer du dommage le rendant dangereux à utiliser. Si l'outil s'est fait échappé ou jeté, l'examiner soigneusement afin de déterminer s'il est courbé, fendu ou s'il y a des fuites ou pièces détachées endommagées. ARRÊTER et réparer avant d'utiliser, sinon, il y a risque de blessures graves.**

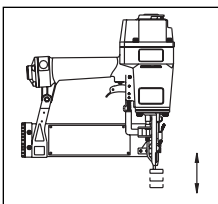
ATTENTION

Attention indique une situation hasardeuse potentielle qui PEUT résulter en blessures.

- **Ne pas apporter de modifications à l'outil sans d'abord obtenir une approbation écrite de Campbell Hausfeld. N'utilisez pas une cloueuse si les écrans ou protecteurs ont été enlevés ou altérés. Cela peut entraîner des blessures ou endommager l'appareil.**

- **Éviter d'utiliser la cloueuse pour une période de temps prolongée. Cesser d'utiliser la cloueuse si l'on ressent des douleurs dans les mains ou dans les bras.**

- **Toujours vérifier le bon fonctionnement du mécanisme de déclenchement par contact (WCE). L'éjection accidentelle de clou peut se produire si ce mécanisme ne fonctionne pas correctement et cela pourrait entraîner des blessures. (Voir "Vérification du mécanisme de déclenchement par contact").**



- **Pour éviter l'expulsion d'une attache, débrancher la source d'air et relâcher la tension du poussoir avant de procéder au déblocage. Sinon, il y a risque de blessures graves.**

AVIS

Avis indique de l'information importante pour éviter le dommage de l'équipement.

- **Éviter d'utiliser la cloueuse lorsque le chargeur est vide. Sinon, il y a risque d'usure accéléré de l'outil.**
- **Nettoyer et vérifier tous les tuyaux et raccords avant de brancher la cloueuse au compresseur d'air. Remplacer les tuyaux ou les raccords endommagés ou usés, sinon, le rendement et la durabilité de l'outil seront affectés.**
- **Le compresseur d'air utilisé avec cette cloueuse doit conformer aux exigences établies par l'American National Standards Institute Standard B19.3-1981; Safety Standard for Compressors for Process Industries. Contacter le fabricant du compresseur pour plus d'informations.**

Utilisation de la Cloueuse

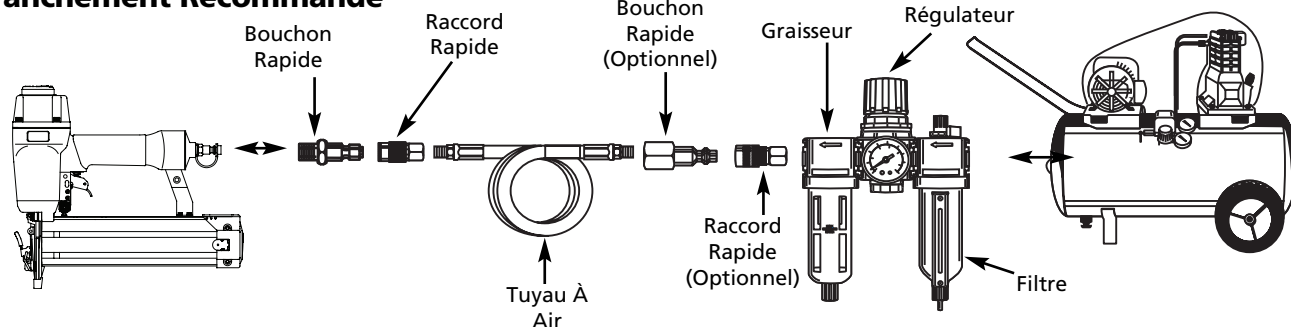
GRAISSAGE

Cette cloueuse exige le graissage avant son usage initial et avant chaque usage. Si vous utilisez un graisseur en canalisation, le graissage manuel à travers la prise d'air n'est pas exigé quotidiennement.

AVIS

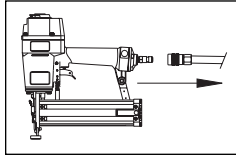
La surface de travail peut être endommagée par le graissage excessif. Le graissage correct est la responsabilité de l'utilisateur. Manque de graisser la cloueuse correctement peut raccourcir la durée de la cloueuse et peut annuler votre garantie.

Branchement Recommandé

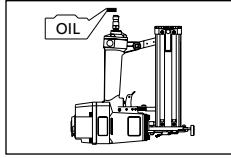


Utilisation de la Cloueuse (suite)

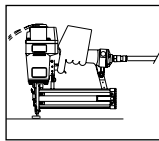
1. Débrancher la source d'air de la cloueuse avant de graisser.



2. Tourner la cloueuse de manière à ce que la prise d'air comprimé soit dirigée vers le haut. Introduire 4 ou 5 gouttes d'huile non-détergente dans la prise d'air comprimé. Ne pas utiliser d'huile détergente, d'additif à huile ni d'huile pour outils à air comprimé. Ces dernières contiennent des solvants qui peuvent endommager les pièces intérieures de la cloueuse.



3. Après l'addition d'huile, faire fonctionner brièvement la cloueuse. Enlever tout excès d'huile sortant par le déflecteur d'échappement.



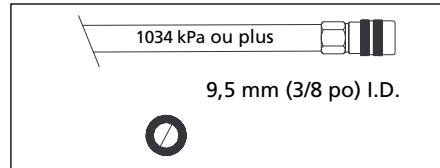
BRANCHEMENT RECOMMANDÉ

Le branchement recommandé est illustré ci-dessous.

1. Le compresseur d'air doit conserver un minimum de 483 kPa pendant l'utilisation de la cloueuse. L'alimentation d'air insuffisante peut réduire la puissance de la cloueuse et peut affecter l'efficacité de l'enfoncement.

483 kPa Min.
758 kPa Max.
2. Un graisseur peut être utilisé pour fournir la circulation d'huile à travers la cloueuse. Un filtre peut être utilisé pour enlever les matières liquides et solides qui peuvent encrasser les pièces internes de la cloueuse.

3. Toujours utiliser des tuyaux d'admission d'air d'une pression nominale minimum égale ou plus grande que la pression de la source d'alimentation si un régulateur cesse de fonctionner correctement ou de 1 034 kPa, selon la pression la plus élevée. Utiliser un tuyau d'air de 9,5 mm (3/8 po) pour les longueurs jusqu'à 15 m (50 pieds). Utiliser les tuyaux d'air de 12,7mm (1/2 po) pour 15m ou plus. Pour un meilleur rendement, installer un bouchon rapide de 9,5mm (3/8 po) avec (filets d'1/4 po NPT) un diamètre intérieur de .315 (8mm) sur la cloueuse et un raccord rapide de 9,5mm (3/8 po) sur le tuyau.



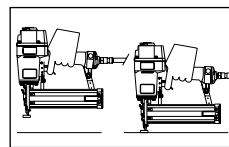
4. Utiliser un régulateur de pression sur le compresseur avec une pression de service de 0 - 862 kPa. Un régulateur de pression est indispensable pour maintenir la pression de service de la cloueuse entre 483 et 758 kPa.

MODE D'EMPLOI

AVERTISSEMENT *Toujours déterminer le mode d'opération avant d'utiliser la cloueuse. Sinon, il y a risque de mort ou blessures graves.*

MÉTHODE D'EXPULSION SIMPLE

La gâchette doit être tirée chaque fois qu'un clou soit enfoncé. La cloueuse peut être actionnée en plaçant le mécanisme de déclenchement WCE contre la surface de travail et ensuite en tirant sur la gâchette.



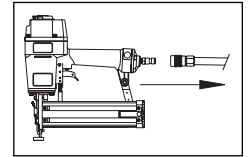
La gâchette doit être relâchée afin de rajuster l'outil avant d'enfoncer un autre clou.

MÉCANISME DE DÉCLENCHEMENT PAR CONTACT (WCE)

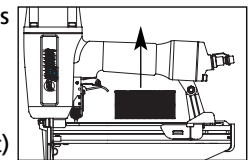
ATTENTION Vérifier le

fonctionnement du mécanisme de déclenchement par contact (WCE) avant chaque usage. Le WCE doit fonctionner avec un mouvement libre, sans restrictions. Le ressort WCE doit se retourner au WCE à sa position complètement allongée après le surbaissement. Ne pas faire fonctionner la cloueuse si le mécanisme de déclenchement WCE ne fonctionne pas correctement. Ceci peut résulter en blessures personnelles.

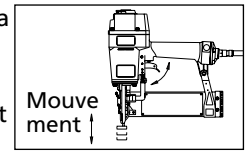
1. Débrancher la source d'air de la cloueuse.



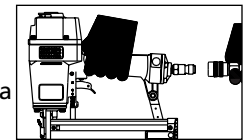
2. Enlever tous les clous du chargeur (Voir Chargement-Déchargement)



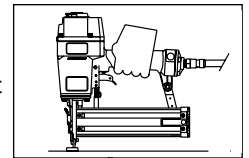
3. S'assurer que la gâchette et le mécanisme de déclenchement (WCE) fonctionnent avec un mouvement libre sans restrictions.



4. Brancher à nouveau la source d'air à la cloueuse.

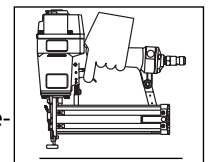


5. Appuyer le mécanisme de déclenchement par contact (WCE) sur la



surface de travail sans actionner la gâchette. La cloueuse **NE DOIT PAS FONCTIONNER**. Si l'éjection d'un clou se produit sans que l'on actionne la gâchette, ne pas utiliser cet appareil. Il y a risque de blessures.

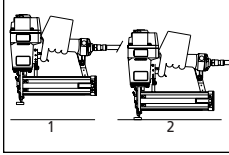
6. Oter la cloueuse de la surface de travail. Le mécanisme de déclenchement par contact (WCE) doit redescendre à sa position initiale. La cloueuse **NE**



Utilisation de la Cloueuse (suite)

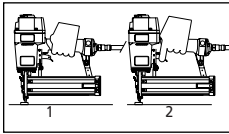
DOIT PAS FONCTIONNER. Si l'éjection d'un clou se produit lorsqu'on relève la cloueuse, ne pas utiliser celle-ci. Il y a risque de blessures.

7. Actionner la gâchette. Appuyer le mécanisme de déclenchement



par contact (WCE) sur la surface de travail. La cloueuse **NE DOIT PAS FONCTIONNER.**

8. Appuyer le mécanisme de déclenchement par contact (WCE) sur la surface de travail. Actionner la gâchette. La cloueuse **DOIT FONCTIONNER.**

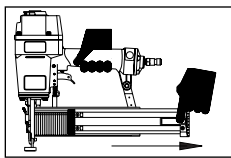


AVERTISSEMENT *Un outil qui ne fonctionne pas correctement ne doit pas être utilisé. Ne pas activer l'outil à moins qu'il soit placé bien fermement sur la pièce.*

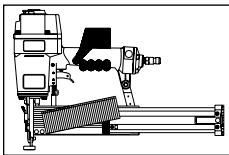
CHARGEMENT/DÉCHARGEMENT DE LA CLOUEUSE

1. Toujours **brancher** l'outil à la source d'air avant le **chargement** des attaches.

2. Presser le loquet du chargeur. Tirer sur le couvercle du chargeur.

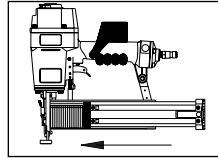


3. Introduire une rangée de clous Campbell Hausfeld ou l'équivalent (Voir Attaches)



dans le chargeur. Les pointes des clous devraient reposer sur le rebord au fond du chargeur pendant le chargement. S'assurer que les clous ne sont pas sales ou endommagés.

4. Pousser le couvercle du chargeur en avant jusqu'à ce que le loquet s'enclenche.

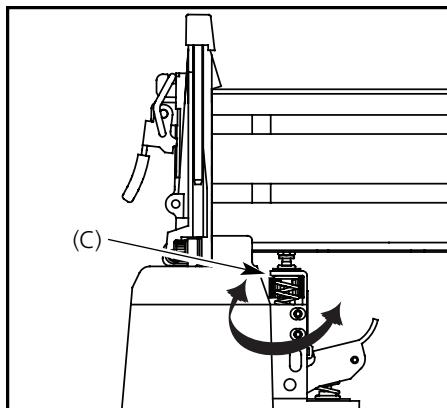


5. Toujours retirer tous les clous du chargeur avant de ranger la cloueuse. L'opération de déchargement s'effectue à l'inverse de l'opération de chargement mais il faut toujours débrancher le tuyau d'air comprimé **AVANT** le déchargement.

RÉGLAGE DE PÉNÉTRATION DES CLOUS

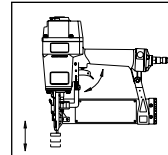
L'outil est muni d'un réglage de pénétration des clous. Ceci permet de déterminer à quel profondeur les clous doivent être enfoncés.

1. Régler la pression de fonctionnement de manière à ce que la force d'éjection des clous soit constante. Ne pas dépasser la pression de fonctionnement maximum de 758 kPa.
2. Pour faire pénétrer un clou moins profondément, tourner la roue (C) vers la gauche jusqu'à la profondeur recherchée.



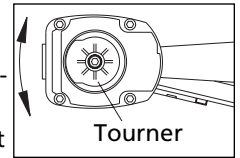
3. Pour enfoncer un clou plus profondément, tourner la roue (C) vers la droite jusqu'à la profondeur recherchée.

4. Après chaque réglage, s'assurer que le mouvement de la gâchette et du mécanisme de déclenchement par contact (WCE) puisse s'effectuer vers le haut ou vers le bas sans difficulté.



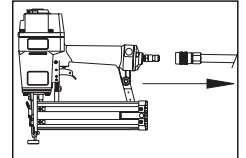
AJUSTEMENT DE LA DIRECTION D'ÉCHAPPEMENT

L'outil est équipé d'un déflecteur d'échappement orientable. Ceci permet le changement de direction de l'échappement. Orienter le déflecteur à la position désirée.

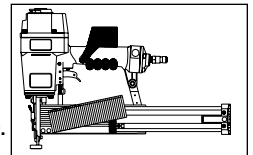


DÉBLOCAGE DE LA CLOUEUSE

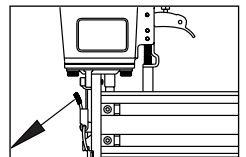
1. Débrancher la cloueuse de la source d'air.



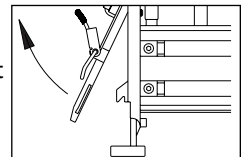
2. Oter tous les clous du chargeur (Voir "Chargement/ Déchargement"). Si cette précaution n'est pas prise, l'éjection accidentelle de clous peut se produire.



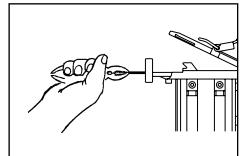
3. Enlever le loquet en le retirant et le baissant. Le loquet en fil s'enlève des crochets sur la pièce moulée du nez.



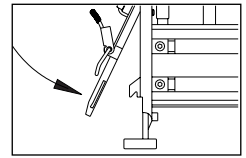
4. La porte peut alors être relevée, laissant voir le clou bloqué.



5. Enlever l'attache grippée en utilisant des pinces ou un tournevis si nécessaire.

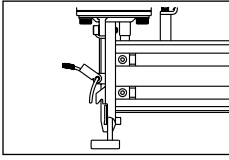


6. Rabaisser la porte en position fermée.

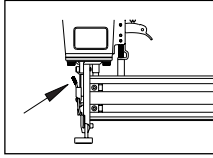


Utilisation de la Cloueuse (suite)

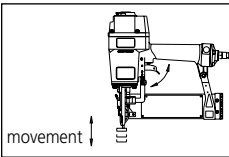
7. Allonger le loquet en fil et le placer sur les crochets situés sur la pièce moulée du nez.



8. Fermer le loquet en poussant celui-ci vers le haut et vers l'intérieur jusqu'à ce qu'il s'enclenche en place.



9. S'assurer que le mouvement de la gâchette et du mécanisme de déclenchement par contact (WCE) puisse s'effectuer vers le haut ou vers le bas sans difficulté.



Support Technique

Pour tout renseignement sur le fonctionnement ou la réparation de cette cloueuse, veuillez utiliser notre numéro d'assistance 1-800-543-6400 ou pour obtenir d'autres copies de ce manuel.

Attaches et Pièces de Rechange

AVERTISSEMENT

N'utiliser que des clous N° 16 de Campbell Hausfeld (ou un équivalent - Voir la note "Compatibilité avec d'autres appareils"). La performance de l'outil, sa sécurité et sa durabilité pourraient être réduites si l'on utilise les mauvaises attaches. Lors d'une commande de pièces de rechange ou de clous, préciser le numéro de pièce.

Attaches et Réparation de la Cloueuse

Seul un personnel qualifié doit réparer l'outil en utilisant seulement des accessoires et des pièces de rechange d'origine ou des pièces et accessoires qui fonctionnent de manière équivalente.

Méthode d'assemblage pour les joints d'étanchéité

Les pièces internes doivent être nettoyées et graissées pendant la réparation d'une cloueuse. Utiliser le Parker O-lube ou l'équivalent sur tous les joints toriques. Chaque joint torique doit être enrobé avec du O-lube avant l'assemblage. Utiliser un peu d'huile sur toutes les surfaces mouvantes et pivots. Après le remontage, ajouter quelques gouttes d'huile sans détergent 30W ou l'équivalent à travers la canalisation d'air avant de faire l'essai.

Attaches

Les clous pour finition Campbell Hausfeld sont disponibles aux magasins dans votre quartier. Pour de l'assistance, composer le 1-800-543-6400. Les clous Campbell Hausfeld sont conformes ou supérieurs à la norme ASTM F1667.

Modèle	Longueur	Calibre de la Tige	Fini	Tête	Collation	Clous par Rangée	Clous par Boîte
FB003060	1 1/4 po	16	Galvanisé	Étêté	Adhésif	50	2500
FB004060	1 1/2 po	16	Galvanisé	Étêté	Adhésif	50	2500
FB004560	1 3/4 po	16	Galvanisé	Étêté	Adhésif	50	2500
FB005060	2 po	16	Galvanisé	Étêté	Adhésif	50	2500
FB006560	2-1/2 po	16	Galvanisé	Étêté	Adhésif	50	2500
FB160025	1 po	16	Galvanisé	Étêté	Adhésif	50	1000
FB160040	1 1/2 po	16	Galvanisé	Étêté	Adhésif	50	1000
FB160050	2 po	16	Galvanisé	Étêté	Adhésif	50	1000
FB160065	2 1/2 po	16	Galvanisé	Étêté	Adhésif	50	1000

Interchangeabilité

Les clous utilisés dans la Cloueuse Pour Finition Campbell Hausfeld JB006750 conformément également au Hitachi NT65A, au Paslode 3250-F16, IM250F, au Duo Fast LFN-764, Sears 18321, Porter Cable FN200, 250 et Campbell Hausfeld NB0064.

Guide de Dépannage



AVERTISSEMENT

Cessez l'utilisation de la cloueuse immédiatement en cas des problèmes suivants, car il résulte un risque de blessures graves. Toutes réparations doivent être effectuées par un Technicien Qualifié ou par un Centre De Service Autorisé.

Problème	Cause	Solution
Fuite d'air à l'endroit de la soupape de la gâchette	Joints torique endommagés dans le carter de la soupape de la gâchette	Remplacer les joints toriques et vérifier le fonctionnement du mécanisme de déclenchement par contact
Fuite d'air entre le carter et le nez	Vis desserrées dans le carter Joints torique endommagés Amortisseur endommagé	Serrer les vis Remplacer les joints torique Remplacer l'amortisseur
Fuite d'air entre le carter et le capuchon	Vis desserrées Joint d'étanchéité endommagé	Serrer les vis Remplacer le joint d'étanchéité
La cloueuse saute un clou pendant l'expulsion	Amortisseur usé Saleté dans la pièce du nez Saleté ou dommage qui empêche le fonctionnement libre des clous ou du poussoir dans le chargeur Ressort de poussoir endommagé Circulation d'air insuffisante à la cloueuse Joint torique du piston usé ou manque de lubrification Joint torique de la soupape de gâchette endommagé Fuites d'air Fuite du joint étanchéité du capuchon	Remplacer l'amortisseur Nettoyer la rainure du chasoir Nettoyer le chargeur Remplacer le ressort Inspecter le raccord, tuyau ou le compresseur Remplacer les joints torique. Graisser. Remplacer les joints torique Serrer les vis et raccords Remplacer le joint d'étanchéité
La cloueuse fonctionne lentement ou a une perte de puissance	Graissage insuffisant de la cloueuse Rupture du ressort du capuchon de cylindre Orifice d'échappement du capuchon obstrué	Graisser la cloueuse Remplacer le ressort Remplacer les pièces internes endommagées
Blocage des clous	Guide du chasoir usé Clous de mauvaise taille Clous courbés Vis du chargeur ou nez dégagés Chasoir endommagé	Remplacer le guide Utiliser les clous de taille recommandée Remplacer les clous Serrer les vis Remplacer le chasoir

Garantie Limitée

1. DURÉE : De la date d'achat par l'acheteur original comme suit : Campbell Hausfeld - trois (3) ans.
2. GARANTIE ACCORDÉE PAR (GARANT): Campbell Hausfeld/Scott Fetzer Company, 100 Production Drive, Harrison, Ohio, 45030, Téléphone: (800) 543-6400
3. BÉNÉFICIAIRE DE CETTE GARANTIE (ACHETEUR): L'acheteur original (sauf en cas de revente) du produit Campbell Hausfeld.
4. PRODUITS COUVERTS PAR CETTE GARANTIE: Tous les outils de fixation (cloueuses et agrafeuses), outils pneumatiques, pistolets vaporisateurs, gonfleurs ou accessoires pneumatiques Campbell Hausfeld qui sont fournis par ou fabriqués par le Garant.
5. COUVERTURE DE LA PRÉSENTE GARANTIE: Défauts de matière et de fabrication considérables qui se révèlent pendant la période de validité de la garantie.
6. LA PRÉSENTE GARANTIE NE COUVRE PAS:
 - A. Les garanties implicites, y compris celles de commercialisabilité et D'ADAPTION À UNE FONCTION PARTICULIÈRE SONT LIMITÉES À PARTIR DE LA DATE D'ACHAT INITIALE TELLE QU'INDIQUÉE DANS LA SECTION DURÉE. Si ce produit est utilisé pour une fonction commerciale, industrielle ou pour la location, la durée de la garantie sera quatre-vingt-dix (90) jours à compter de la date d'achat. Quelques Provinces (États) n'autorisent pas de limitations de durée pour les garanties implicites. Les limitations précédentes peuvent donc ne pas s'appliquer.
 - B. TOUT DOMMAGE, PERTE OU DÉPENSE FORTUIT OU INDIRECT POUVANT RÉSULTER DE TOUT DÉFAUT, PANNE OU MAUVAIS FONCTIONNEMENT DU PRODUIT CAMPBELL HAUSFELD. Quelques Provinces (États) n'autorisent pas l'exclusion ni la limitation des dommages fortuits ou indirects. La limitation ou exclusion précédente peut donc ne pas s'appliquer.
 - C. Toute panne résultant d'un accident, d'une utilisation abusive, de la négligence ou d'une utilisation ne respectant pas les instructions données dans le(s) manuel(s) accompagnant le produit. Un accident, l'utilisation abusive par l'acheteur, la négligence ou le manque de faire fonctionner les produits selon les instructions comprend aussi l'enlèvement ou la modification de n'importe quel appareil de sûreté. Si ces appareils de sûreté sont enlevés ou modifiés, la garantie sera annulée.
 - D. Réglages normaux qui sont expliqués dans le(s) manuel(s) d'utilisation accompagnant le produit.
 - E. Articles ou services qui sont exigés pour l'entretien du produit; Joints torique, ressorts, amortisseurs, écrans de débris, lames d'entraînement, fusibles, batteries, joints d'étanchéité, garnitures ou joints, buses de fluide, aiguilles, buses de sablage, graisses, tuyaux de matériaux, cartouches filtrantes, pales de moteur, abrasifs, lames, meules de coupage, burins, fixe-burins, coupeuses, douilles de serrage, mandrins. mâchoires de rivet, lames de tournevis, tampons de sablage, tampons de sauvegarde, mécanisme de percussion ou toute pièce qui n'est pas indispensable et qui n'est pas indiquée. Ces articles seront couverts pour quatre-vingt-dix (90) jours à partir de la date d'achat original. Les articles soulignés sont garanties pour défauts de matière et de fabrication seulement.
 - F. Les défauts cosmétiques qui n'ont pas d'effet sur le fonctionnement de l'appareil.
7. RESPONSABILITÉS DU GARANT AUX TERMES DE CETTE GARANTIE: Réparation ou remplacement, au choix du Garant, des produits ou pièces qui se sont révélés défectueux pendant la durée de validité de la garantie.
8. RESPONSABILITÉS DE L'ACHETEUR AUX TERMES DE CETTE GARANTIE:
 - A. Fournir une preuve d'achat datée et un état d'entretien.
 - B. Appelez Campbell Hausfeld (800-424-8936) pour obtenir vos options de service sous garantie. Les frais de transport sont la responsabilité de l'acheteur.
 - C. Utilisation et entretien du produit avec un soin raisonnable, ainsi que le décrit le(s) manuel(s) d'utilisation.
9. RÉPARATION OU REMPLACEMENT EFFECTUÉ PAR LE GARANT AUX TERMES DE LA PRÉSENTE GARANTIE: La réparation ou le remplacement sera prévu et exécuté en fonction de la charge de travail dans le centre de service et dépendra de la disponibilité des pièces de rechange.

Cette Garantie Limitée s'applique aux É.-U., au Canada et au Mexique seulement et vous donne des droits juridiques précis. L'acheteur peut également jouir d'autres droits qui varient d'une Province, d'un État ou d'un Pays à l'autre.

Sírvase leer y guardar estas instrucciones. Lea con cuidado antes de tratar de armar, instalar, manejar o darle servicio al producto descrito en este manual. Protéjase Ud. y a los demás observando todas las reglas de seguridad. El no seguir las instrucciones podría resultar en heridas y/o daños a su propiedad. Guarde este manual como referencia.



Clavadora para Acabado

Índice

Información General de Seguridad	1-3
Especificaciones	2
Cómo usar la Clavadora	3-6
Modo de Operación	4
Diagnóstico de averías	7
Garantía	8

Descripción

Esta clavadora está diseñada para trabajos de acabado, moldes interiores, bases, paneles, ensamblaje e instalación de gabinetes. Entre las características se incluyen: práctico cargador superior que puede contener hasta 100 clavos, punta que no se estropea, escape ajustable, gatillo de un solo ciclo, boca de despeje rápido, y mecanismo clavador con profundidad ajustable.

Informaciones Generales de Seguridad

PROPOSICIÓN DE CALIFORNIA 65

PELIGRO



Cuando corta lija, taladra o pule materiales como por ejemplo madera, pintura, metal, hormigón, cemento, u otro tipo de mampostería se puede producir polvo. Con frecuencia este polvo contiene productos químicos que se conocen como causantes de cáncer, defectos congénitos u otros daños reproductivos. Use equipo de protección.

Este manual contiene información sobre seguridad, funcionamiento y mantenimiento. Póngase en contacto con su representante Campbell Hausfeld si tiene alguna pregunta.

RESPONSABILIDAD DEL OPERADOR:

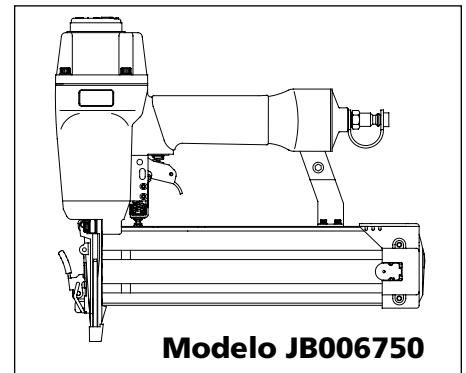
El operador de la herramienta es responsable de:

- Leer y comprender las etiquetas y el manual de la herramienta.
- Seleccionar un sistema de activación de la herramienta adecuado, tomando en cuenta la aplicación de trabajo para la cual se usa la herramienta.
- El uso seguro de la herramienta.
- Asegurarse de que la herramienta se use únicamente cuando el operador y todo el resto del personal en el área de trabajo estén usando equipo de protección ocular ANSI Z87 y demás equipo de protección de cabeza, oídos y pies. Pueden ocasionarse lesiones graves o permanentes de ojos y oídos.
- Asegurarse de que la herramienta se mantenga en un orden de trabajo seguro según se describe en este manual.



RESPONSABILIDAD DEL EMPLEADOR:

- Seleccionar un sistema de activación de la herramienta adecuado, tomando en cuenta la aplicación de trabajo para la cual se usa la herramienta.
- Asegurarse de que este manual esté disponible para los operadores y el personal que esté realizando el mantenimiento.
- El uso seguro de la herramienta.
- Exigir que la herramienta se use únicamente cuando el operador y todo el resto del personal en el área de trabajo estén usando equipo de protección ocular ANSI Z87 y demás equipo de



Modelo JB006750

Localice el número del modelo y el cód. fecha en la herramienta, el depósito y la tapa, y regístrelo a continuación:

Modelo No _____

Cód. fecha _____

Conserve estos números para referencia .

- protección de cabeza, oídos y pies. Pueden ocasionarse lesiones graves o permanentes de ojos y oídos.
- Asegurarse de que la herramienta se mantenga en un orden de trabajo seguro según se describe en este manual.
- Asegurar el mantenimiento adecuado de todas las herramientas en posesión del empleador.
- Asegurarse de que las herramientas que requieran reparación no se usen antes de ser reparadas. Se recomiendan el uso de etiquetas y el retiro físico de la herramienta como medidas de control.

RECORDATORIO: ¡Guarde su comprobante de compra con fecha para fines de la garantía! Adjúntela a este manual o archívela en lugar seguro.

Informaciones Generales de Seguridad (Continuación)

⚠ PELIGRO

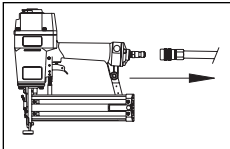
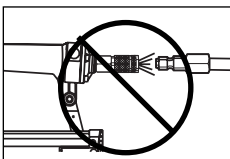
Esto le indica que hay una situación inmediata que LE OCASIONARIA la muerte o heridas de gravedad.

- Lea y comprenda las etiquetas y el manual de la herramienta. Si no respeta las advertencias, los riesgos y las recomendaciones, eso podría resultar en la MUERTE o en LESIONES GRAVES. 
- No use ningún tipo de gas reactivo, incluyendo, pero no limitado a, oxígeno y gases combustibles, como fuente de energía. Use sólo aire comprimido filtrado, lubricado y regulado. El uso de un gas reactivo en vez de aire comprimido puede provocar que la clavadora explote, lo cual puede ocasionar la muerte o graves lesiones personales. 
- Use solamente una fuente de aire comprimido de presión regulada para limitar la presión de aire suministrada a la herramienta. La presión regulada no debe exceder los 7,58 bar. Si el regulador falla, la presión transmitida a la herramienta no debe exceder los 13,79 bar. La clavadora puede 

explotar, lo cual puede ocasionar la muerte o graves lesiones personales.

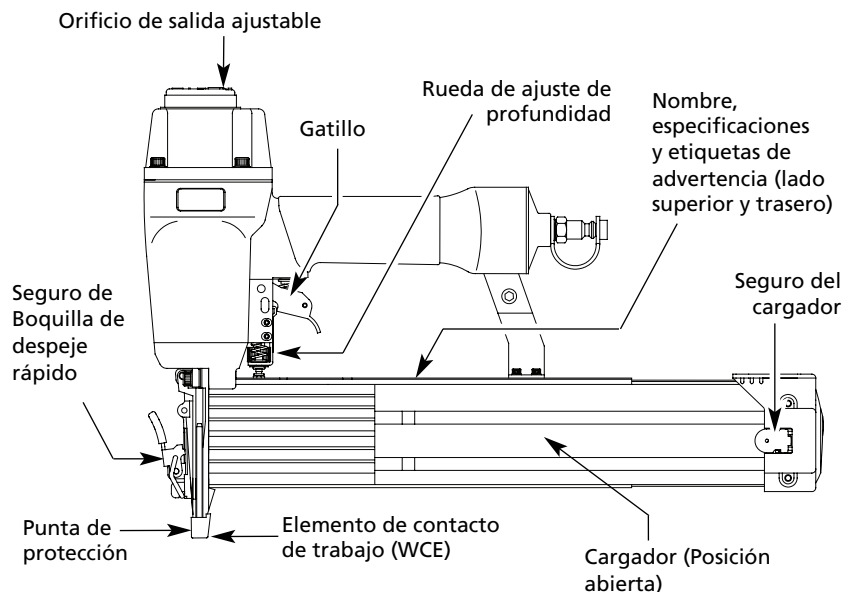
- Nunca limpie la clavadora con gasolina o ningún otro líquido inflamable. Nunca use la clavadora en la cercanías de líquidos o gases inflamables. Una chispa podría encender los vapores y ocasionar una explosión que podría ocasionarle la muerte o heridas graves. 
- Siempre colóquese en una posición firme y balanceada para usar o manipular la clavadora. 
- No quite, modifique ni haga de otro modo que el WCE (elemento de contacto de trabajo) o el gatillo dejen de funcionar. No haga funcionar ninguna herramienta que haya sido modificada de manera similar. Eso puede resultar en muerte o graves lesiones personales. 
- No toque el gatillo a menos que se estén clavando clavos. Nunca haga arrancar la línea de aire con una clavadora ni mueva la clavadora cuando esté tocando el gatillo. La herramienta podría expulsar un clavo y producir la muerte o lesiones personales graves. 

⚠ ADVERTENCIA Esto le indica que hay una situación que PODRIA ocasionarle la muerte o heridas graves.

- Desconecte siempre la herramienta de la fuente de energía cuando no la esté atendiendo, cuando le esté realizando mantenimiento o reparaciones, desobstruyéndola o moviéndola a un nuevo sitio. Siempre vuelva a conectar la tubería de aire ANTES de cargar los clavos. No cargue la herramienta con sujetadores cuando el gatillo esté oprimido o el WCE (elemento de contacto de trabajo) esté conectado. La clavadora puede expulsar un sujetador y producir la muerte o lesiones personales graves. 
- Siempre ajuste la herramienta con un conector o acoplador de mangueras colocado en o cerca de la herramienta de un modo tal que se descargue todo el aire comprimido en la herramienta en el momento en que se desconecte el conector o acoplador. No use una válvula de chequeo o ninguna conexión que permita que el aire permanezca en la clavadora. Se puede producir la muerte o lesiones personales graves. 

Componentes y Especificaciones de la Clavadora

- **REQUIRE:** 0,02 m³/min para clavar 10 clavos por minuto a 6,21 bar
- **ENTRADA DE AIRE:** 6,4mm (1/4") NPT
- **RANGO DE LOS CLAVOS:** 2,54 cm a 6,35 cm (1" a 2-1/2")
- **CAPACIDAD DEL CARGADOR:** 100 clavos por carga, calibre 16
- **PESO:** 2,24 kg
- **LONGITUD:** 31,75 cm (12-1/2")
- **ALTURA:** 30,16 cm (11-7/8")
- **PRESION MAXIMA:** 7,58 bar
- **RANGO DE LA PRESION:** 4,83 bar - 7,58 bar

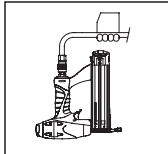


Informaciones Generales de Seguridad (Continuación)

- **Nunca ponga las manos ni ninguna otra parte del cuerpo en el área de descarga de la clavadora. Ésta puede expulsar un clavo y producir la muerte o lesiones personales graves.**



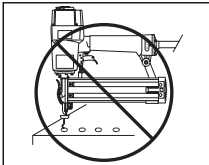
- **Nunca cargue la clavadora por la manguera de aire ni hale la manguera para mover la clavadora o el compresor de aire.**



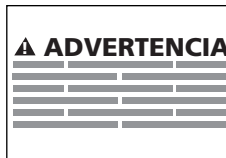
Mantenga las mangueras alejadas del calor, aceite y objetos puntiagudos. Reemplace cualquier manguera que esté dañada, débil o desgastada. Ésto podría ocasionar heridas o daños a la herramienta

- **Siempre asuma que la clavadora tiene clavos. Respete la herramienta como un implemento de trabajo; no juegue con ella. Siempre mantenga a los demás a una distancia segura del área de trabajo, en caso de una descarga accidental de clavos. No apunte con la herramienta hacia usted o hacia otra persona, ya sea que contenga o no clavos. El disparo accidental de la clavadora podría resultar en la muerte o en graves lesiones personales.**

- **No clave un clavo encima de otro. El clavo podría saltar y ocasionarle la muerte o heridas graves.**



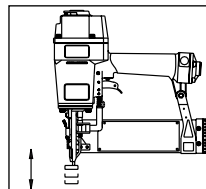
- **No opere la clavadora ni permita que otros la operen si las etiquetas de advertencia están ilegibles. Éstas se encuentran en el cargador o el cuerpo de la clavadora.**



- **No deje que la herramienta se caiga ni la tire. Ésto podría dañarla o convertirla en algo peligroso de usar. En caso de que la herramienta se haya caído o la hayan tirado, revísela con cuidado a ver si está doblada o rota, si tiene alguna pieza dañada o tiene fugas de aire. DEJE de trabajar y repárela antes de usarla o podría ocasionarle heridas graves.**

PRECAUCION Ésto le indica que hay una situación que PODRÍA ocasionarle heridas no muy graves.

- **No haga ninguna modificación a la herramienta sin obtener primero la aprobación por escrito de Campbell Hausfeld. No use la clavadora si le faltan alguna de las tapas protectoras o si éstas han sido modificadas. No use la clavadora como un martillo. Se pueden producir lesiones personales o daños a la herramienta.**
- **Evite trabajar con esta clavadora por largos periodos. Deje de usar la clavadora si siente dolor en las manos o en los brazos.**
- **Siempre revise que el Elemento de Trabajo esté funcionando correctamente. Puede que se clave un clavo por accidente si el Elemento de Trabajo no está funcionando correctamente. Se pueden producir**



lesiones personales (vea la sección "Cómo Revisar el Elemento de Contacto de Trabajo").

- **Desconecte la fuente de suministro de aire y elimine la tensión del disparador antes de tratar de sacar cualquier clavo atascado, ya que la clavadora podría disparar un clavo por el frente. Ésto podría ocasionarle heridas.**

AVISO Ésto le indica una información importante, que de no seguirla, le PODRÍA ocasionar daños al equipo.

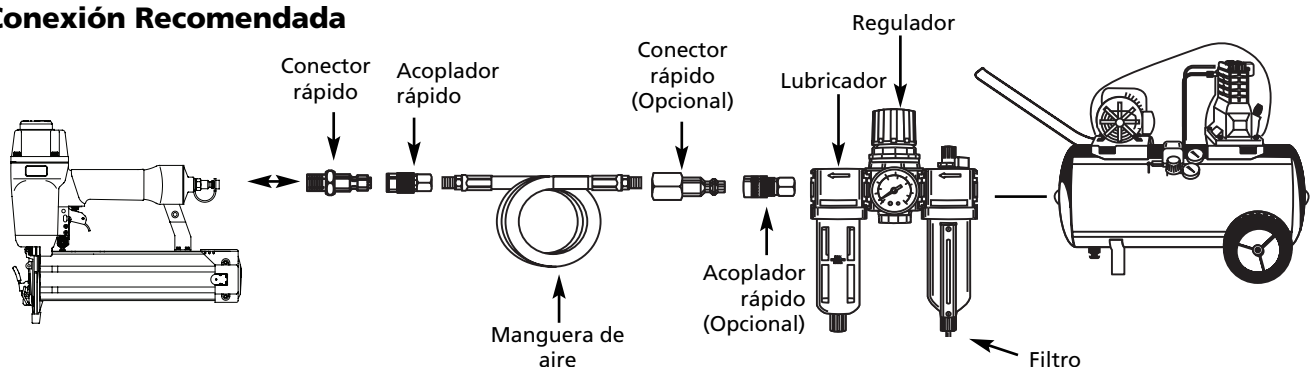
- **Evite usar la clavadora cuando el depósito está vacío. Ésto podría acelerar su desgaste.**
- **Limpie y cheque todas las mangueras de suministro de aire y conexiones antes de conectar la clavadora al compresor. Reemplace las mangueras y conexiones que estén dañadas o desgastadas. El rendimiento de la herramienta o su durabilidad podrían reducirse.**
- **Los compresores de aire usados para suministrarle aire a la clavadora deben cumplir los requerimientos establecidos por la organización norteamericana ANSI en el código B19.3-1981; sobre seguridad y estándares para compresores de aire industriales. Contacte al fabricante de su compresor de aire para mayor información.**

Cómo usar la Clavadora

LUBRICACION

Esta clavadora requiere lubricación antes de usarse por primera vez y antes de cada uso. Si utiliza un lubricador incorporado a la línea, **no tendrá** que lubricarla manualmente a diario.

Conexión Recomendada

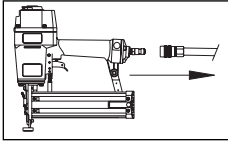


Cómo usar la Clavadora (Continuación)

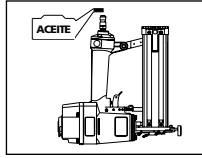
AVISO

La superficie de trabajo se podría dañar debido a la lubricación excesiva. La lubricación adecuada es la responsabilidad del propietario. Si no lubrica la clavadora adecuadamente, ésta se dañará rápidamente y la garantía se cancelaría.

1. Desconecte la clavadora de la fuente de suministro de aire para lubricarla.

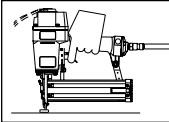


2. Gire la clavadora de modo que la entrada de aire quede mirando hacia arriba.



- Agregue de 4 a 5 gotas de aceite sin detergente 30W en la entrada de aire. No use aceites con detergentes, aditivos de aceite, ni aceites para herramientas neumáticas. Los aceites para herramientas neumáticas contienen solventes que pueden averiar los componentes internos de la clavadora.

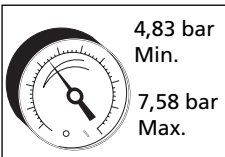
3. Después de agregar aceite, haga funcionar la clavadora brevemente. Limpie todo exceso de aceite que salga del escape de la tapa.



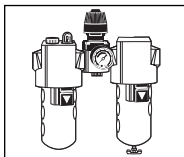
CONEXION RECOMENDADA

La ilustración de abajo le muestra la conexión recomendada para la clavadora.

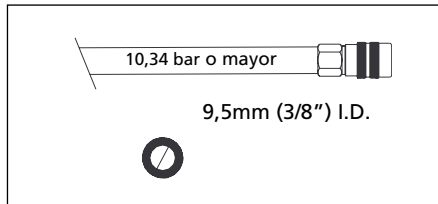
1. El compresor de aire debe tener la capacidad de suministrar un mínimo de 4,83 bar cuando la clavadora esté en uso. Si el suministro de aire es inadecuado podría haber pérdida de potencia y falta de consistencia en el funcionamiento.



2. Puede utilizar un lubricador para lubricar la clavadora. Igualmente, puede utilizar un filtro para remover las impurezas líquidas y sólidas que podrían oxidar u obstruir las partes internas de la clavadora.



3. Use siempre mangueras de suministro de aire, con una presión mínima de funcionamiento con clasificación igual o mayor que la presión de la fuente de energía si falla un regulador, o 10,34 bar, lo que sea mayor. Use mangueras de aire de 9,5 mm (3/8") para distancias de hasta 15 m (50') ó más. Para un mejor rendimiento, instalele a la clavadora un conector rápido de 9,5mm (3/8") (con roscas de 6,4mm (1/4") NPT) cuyo diámetro interno sea de 8mm (0,315") y un acoplador rápido de 9,5mm (3/8") a la manguera de aire.



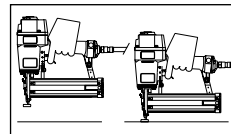
4. Use un regulador de presión (de 0 bar - 8,62 bar) en el compresor. Se necesita un regulador de presión para controlar la presión de operación de la clavadora entre 4,83 bar y 7,58 bar.

MODO DE OPERACIÓN

ADVERTENCIA Siempre cerciórese de saber en que modo va a operar la clavadora antes de comenzar a usarla. De lo contrario, le podría ocasionar la muerte o heridas graves.

CICLO SENCILLO

Este sistema requiere que oprima el gatillo cada vez que vaya a clavar un clavo.



Para clavar el elemento de contacto debe tocar la superficie de trabajo y el operador debe oprimir el gatillo.

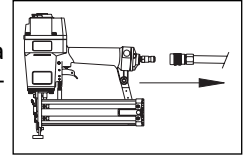
Debe soltar el gatillo antes de clavar otro clavo.

ELEMENTO DE CONTACTO

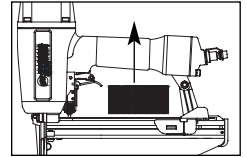
PRECAUCION Cheque el

funcionamiento del mecanismo del elemento de contacto antes de cada uso. El elemento de contacto se debe desplazar libremente, sin pegarse, a lo largo del área de desplazamiento. El resorte del elemento de contacto debe regresar el elemento de contacto a su posición original totalmente extendido. No use la clavadora si el mecanismo del elemento de contacto no está funcionando adecuadamente. Podría ocasionarle heridas.

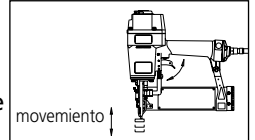
1. Desconecte la clavadora de la fuente de suministro de aire.



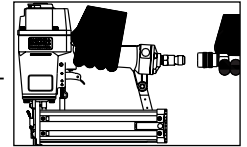
2. Saque todos los clavos del cargador (Vea la Sección Carga-Descarga).



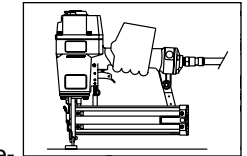
3. Cerciórese de que el gatillo y el elemento de contacto se muevan libremente en ambos sentidos sin atascarse o pegarse.



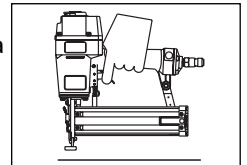
4. Reconecte la clavadora a la fuente de suministro de aire.



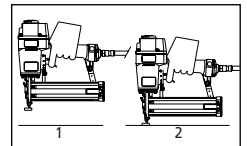
5. Presione el Elemento de Contacto de Trabajo contra la superficie de trabajo sin apretar el gatillo. La clavadora **NO DEBE OPERAR**. No use la herramienta si opera sin apretar el gatillo. Se pueden producir lesiones personales.



6. Remueva la clavadora de la superficie de trabajo. El Elemento de Contacto de Trabajo tiene que volver a su posición original. La clavadora **NO DEBE OPERAR**. No use la herramienta si opera mientras está levantada de la superficie de trabajo.

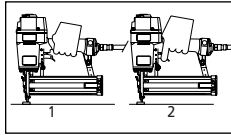


7. Apriete el gatillo y presione el Elemento de Contacto de Trabajo contra la superficie de trabajo. La clavadora **NO DEBE** hacerse funcionar.



Cómo usar la Clavadora (Continuación)

8. Presione el Elemento de Contacto de Trabajo contra la superficie de trabajo. Apriete el gatillo. La clavadora **DEBE OPERAR**.



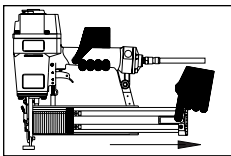
⚠ ADVERTENCIA Una

herramienta que funciona de manera inadecuada no debe usarse. No active la herramienta a menos que esté colocada firmemente contra la pieza de trabajo.

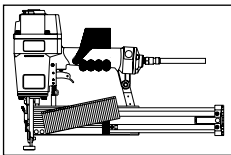
PARA CARGAR Y DESCARGAR LA CLAVADORA

1. Siempre **conecte** la herramienta a la fuente de suministro de aire antes de colocarle los **clavos**.

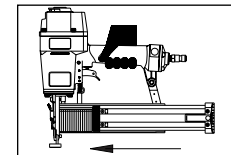
2. Presione el pestillo de alivio hacia abajo. Tire la tapa del cargador hacia atrás.



3. Coloque una serie de clavos Campbell Hausfeld o equivalentes (Vea la sección de clavos) en el cargador. Cerciérese de que los extremos puntiagudos de los clavos estén hacia la parte inferior del cargador. Cerciérese de que los clavos no estén sucios ni dañados.



4. Tire la tapa del cargador hacia adelante hasta que calce el pestillo.

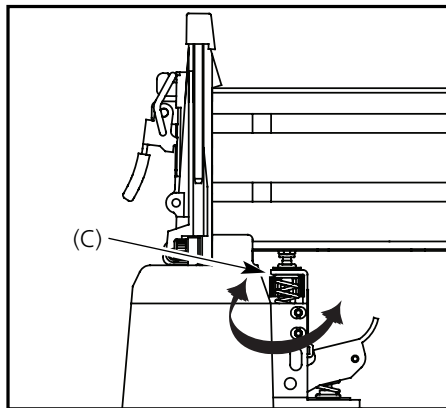


5. Siempre descargue el sujetador antes de remover la herramienta de servicio. **La descarga se hace siguiendo** el proceso inverso de la carga; sin embargo, siempre se tiene que **desconectar** la manguera de aire antes de descargarla.

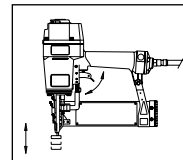
CÓMO AJUSTAR LA PENETRACIÓN DEL CLAVO

La herramienta viene equipada con un mecanismo clavador de profundidad ajustable. Esto le permite al usuario determinar a qué profundidad se va a clavar en la superficie de trabajo.

1. Ajuste la presión de operación a aquélla que usará con regularidad para clavar los clavos. No exceda la presión de operación máxima de la clavadora modelo JB006750 de 7,58 bar.
2. Para dirigir el calador de clavos, gire la rueda (C) hacia la izquierda hasta el punto deseado.

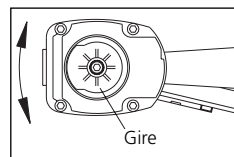


3. Para clavar el clavo más profundo, gire la rueda (C) hacia la derecha hasta el punto deseado.
4. Asegúrese que el gatillo y el Elemento de Contacto de Trabajo se mueven libremente hacia arriba y hacia abajo sin atascarse o pegarse después de cada ajuste.

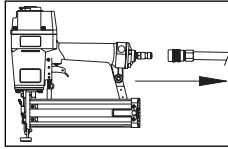
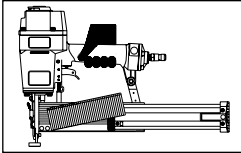
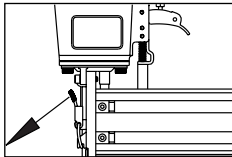
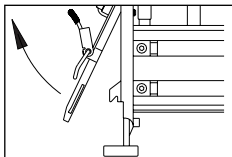
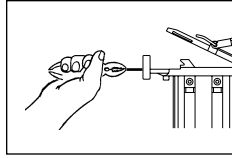
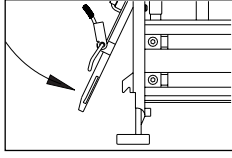
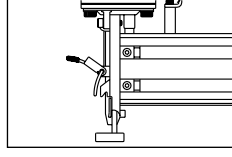
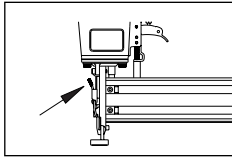


PARA AJUSTAR LA DIRECCION DEL TUBO DE ESCAPE

La herramienta está equipada con un deflector ajustable de la dirección del tubo de escape. Éste le permite al usuario cambiar la dirección del tubo de escape. Simplemente mueva el deflector hacia la dirección deseada.

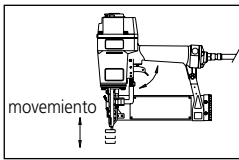


QUE HACER CUANDO LA CLAVADORA TENGA UN CLAVO ATASCADO

1. Desconecte la clavadora de la fuente de suministro de aire. 
2. Remueva todos los clavos del depósito (vea Carga / Descarga). De lo contrario, los clavos serán expulsados de la parte delantera de la herramienta. 
3. Abra el pestillo tirándolo hacia afuera y abajo. El pestillo de alambre se saldrá de los ganchos en la boquilla. 
4. Ahora se puede rotar la puerta, dejando el sujetador atascado expuesto. 
5. Saque el clavo atascado con un alicate o destornillador, si es necesario. 
6. Rote la puerta hacia atrás a la posición cerrada. 
7. Extienda el pestillo de alambre y colóquelo sobre los ganchos de la boquilla. 
8. Cierre el pestillo empujándolo hacia adentro hasta que ajuste en su posición. 

Cómo usar la Clavadora (Continuación)

9. Asegúrese que el gatillo y el Elemento de Contacto de Trabajo se mueven libremente, hacia arriba y hacia abajo sin pegarse o atascarse.



Servicio Técnico

Si desea hacer alguna pregunta referente a la reparación u operación de las clavadoras, o para solicitar copias adicionales de este manual, sírvase llamar a nuestro número especial, 1-800-543-6400.

Clavos y Refacciones

⚠ ADVERTENCIA

Use solamente clavos Campbell Hausfeld originales calibre 16 (o su equivalente) - (vea la información sobre intercambio de clavos). El desempeño de las herramientas, la seguridad y la duración pueden disminuir si no se utilizan los clavos adecuados. Cuando ordene partes de repuesto o clavos, especifique el número de la parte.

Para reparar la clavadora

La herramienta deberá ser reparada únicamente por personal calificado, y deberán usar piezas de repuesto y accesorios originales Campbell Hausfeld, o piezas y accesorios que funcionen de manera equivalente.

Para colocarle los sellos

Cada vez que repare una clavadora deberá limpiarle y lubricarle las partes internas. Le recomendamos que use Parker O-lube o un lubricante equivalente en todos los anillos en O. A cada anillo en O se le debe dar un baño de lubricante para anillos antes de instalarlos. Igualmente, deberá ponerle un poco de aceite a todas las piezas que se mueven y muñones. Finalmente, después de haberla ensamblado y antes de probar la herramienta deberá ponerle unas cuantas gotas de aceite sin detergente 30W u otro aceite similar, en las líneas de aire.

Clavos

Estos clavos para acabado de Campbell Hausfeld los puede comprar en su tienda más cercana. Si necesita ayuda para encontrar un artículo, comuníquese al 1-800-543-6400. Los clavos de Campbell Hausfeld cumplen o exceden el estándar ASTM F1667

Modelo #	Longitud	Calibre del cuerpo	Acabado	Cabeza	Unión	Clavos por línea	Clavos por Caja
FB003060	3,18cm (1 ¹ / ₄ "	16	Galvanizado	De puntilla	Adhesivo	50	2500
FB004060	3,81cm (1 ¹ / ₂ "	16	Galvanizado	De puntilla	Adhesivo	50	2500
FB004560	4,45cm (1 ³ / ₄ "	16	Galvanizado	De puntilla	Adhesivo	50	2500
FB005060	5,08cm (2"	16	Galvanizado	De puntilla	Adhesivo	50	2500
FB006560	6,35 cm (2-1/2"	16	Galvanizado	De puntilla	Adhesivo	50	2500
FB160025	2,54cm (1"	16	Galvanizado	De puntilla	Adhesivo	50	1000
FB160040	3,81cm (1 ¹ / ₂ "	16	Galvanizado	De puntilla	Adhesivo	50	1000
FB160050	5,08cm (2"	16	Galvanizado	De puntilla	Adhesivo	50	1000
FB160065	6,35 cm (2-1/2"	16	Galvanizado	De puntilla	Adhesivo	50	1000

Información de intercambio

Los clavos usados con la clavadora para acabado JB006750 de Campbell Hausfeld también se pueden usar con las clavadoras Hitachi NT65A, Paslode 3250-F16, IM250F, Duo Fast LFN-764, Sears 18321, Porter Cable FN200, FN250 y Campbell Hausfeld NB0064.

Guía de Diagnóstico de Averías

⚠️ ADVERTENCIA

Deje de usar la clavadora inmediatamente si alguno de los siguientes problemas ocurre. Podría resultar en heridas graves. Cualquier reparación o reemplazo de piezas los debe hacer un técnico calificado personal de un centro autorizado de servicio.

Problema	Causa	Solución
Hay una fuga de aire en el área de la válvula del gatillo	Los anillos en O de la cubierta de la válvula del gatillo están dañados	Debe reemplazar los anillos en O & chequear el funcionamiento del elemento de funcionamiento al contacto
Hay una fuga de aire entre la cubierta y la boquilla	Los tornillos de la cubierta están flojos	Debe apretar los tornillos
	Los anillos en O están dañados La cubierta está dañada	Debe reemplazar los anillos en O Debe reemplazar la defensa
Hay una fuga de aire entre la cubierta y la tapa	Los tornillos están flojos	Debe apretar los tornillos
	El empaque está dañado	Debe reemplazar el empaque
La clavadora deja de clavar un clavo	La cubierta está desgastada	Debe reemplazar la cubierta
	La boquilla está sucia	Debe limpiar el canal del sistema de impulso
	La suciedad o daños evitan el desplazamiento libre de los clavos o el mecanismo de impulso en el cargador	Debe limpiar el cargador
	El resorte del mecanismo de impulso está dañado	Debe reemplazar el resorte
	El flujo de aire hacia la clavadora es inadecuado	Cheque las conexiones, la manguera o el compresor
	El anillo en O del pistón está desgastado o le falta lubricación	Debe reemplazar los anillos en O. Lubríquelos.
	Los anillos en O de la válvula del gatillo están dañados	Debe reemplazar los anillos en O
	Hay fugas de aire Hay una fuga en el empaque de la tapa	Debe apretar los tornillos y las conexiones Debe reemplazar el empaque
La clavadora funciona lentamente o pierde su potencia	La clavadora no está bien lubricada	Necesita lubricar la clavadora
	El resorte de la tapa del cilindro está roto	Debe reemplazar el resorte
	El orificio de salida de la tapa está obstruido	Debe reemplazar las partes internas dañadas
Hay clavos atascados en la clavadora	La guía del mecanismo de impulso está desgastada	Debe reemplazar la guía
	Los clavos no son del tamaño adecuado.	Debe usar los clavos recomendados para esta clavadora
	Los clavos están doblados	Reemplácelos con clavos en buenas condiciones
	Los tornillos del cargador o de la boquilla están flojos	Debe apretar los tornillos
	El mecanismo de impulso está dañado	Debe reemplazar el mecanismo de impulso de clavos

Garantía Limitada

1. DURACIÓN: Desde la fecha de compra por parte del comprador original, según se detalla: Campbell Hausfeld – 3 (tres) años.
2. QUIEN OTORGA ESTA GARANTIA (EL GARANTE: Campbell Hausfeld / The Scott Fetzer Company 100 Production Drive, Harrison, Ohio 45030 Teléfono: (800) 543-6400
3. QUIEN RECIBE ESTA GARANTIA (EL COMPRADOR): El comprador original (que no sea un revendedor) del producto Campbell Hausfeld.
4. PRODUCTOS CUBIERTOS POR ESTA GARANTIA: Cualquier clavadora, grapadora, herramienta neumática, pistola pulverizadora, inflador o accesorio neumático suministrado o fabricado por el Garante.
5. COBERTURA DE LA GARANTIA: Los defectos substanciales de material y fabricación que ocurran dentro del período de validez de la garantía.
6. LO QUE NO ESTA CUBIERTO POR ESTA GARANTIA:
 - A. Las garantías implícitas, incluyendo aquellas de comercialidad E IDONEIDAD PARA FINES PARTICULARES, ESTAN LIMITADOS A LO ESPECIFICADO EN EL PARRAFO DE DURACION. Si este producto es empleado para uso comercial, industrial o para renta, la garantía será aplicable por noventa (90) días a partir de la fecha de compra. En algunos estados no se permiten limitaciones a la duración de las garantías implícitas, por lo tanto, en tales casos esta limitación no es aplicable.
 - B. CUALQUIER PERDIDA DAÑO INCIDENTAL, INDIRECTO O CONSECUENTE QUE PUEDA RESULTAR DE UN DEFECTO, FALLA O MALFUNCIONAMIENTO DEL PRODUCTO CAMPBELL HAUSFELD. En algunos estados no se permite la exclusión o limitación de daños incidentales o consecuentes, por lo tanto, en tales casos esta limitación o exclusión no es aplicable
 - C. Cualquier falla que resulte de un accidente, abuso, negligencia o incumplimiento de las instrucciones de funcionamiento y uso indicadas en el (los) manual(es) que se adjunta(n) al producto. Dichos accidentes, abusos por parte del comprador, o falta de operar el producto siguiendo las instrucciones del manual de instrucciones suministrado también debe incluir la desconexión o modificación de los instrumentos de seguridad. Si dichos instrumentos de seguridad son desconectados, la garantía quedaría cancelada.
 - D. Los ajustes normales explicados en el(los) manual(es) suministrado(s) con el producto.
 - E. Artículos o servicios normalmente requeridos para el mantenimiento del producto, tales como: anillos en O, resortes, amortiguadores, defensas, hojas de impulsor, fusibles, baterías, empaques, almohadillas o sellos, boquillas de fluido, agujas, boquillas para rociar arena, lubricantes, mangueras de material, elementos filtrantes, álabes de motores, abrasivos, hojillas, discos para cortar, cinceles, retenes para cinceles, cortadores, collarines, mandriles, mordazas para remachadoras, brocas para desarmadores, almohadillas para lijar, soportes de almohadillas, mecanismo de impacto o cualquier otro artículo desgastable que no se haya enumerado específicamente. Estos artículos sólo estarán cubiertos bajo esta garantía por noventa (90) días a partir de la fecha de compra original. Los artículos subrayados sólo están garantizados por defectos de material o fabricación.
 - F. Defectos estéticos que no interfieran con la función del producto
7. RESPONSABILIDADES DEL GARANTE BAJO ESTA GARANTIA: Reparar o reemplazar, como lo decida el Garante, los productos o componentes que estén defectuosos, se hayan dañado o hayan dejado de funcionar adecuadamente, durante el período de validez de la garantía
8. RESPONSABILIDADES DEL COMPRADOR BAJO ESTA GARANTIA:
 - A. Suministrar prueba fechada de compra y la historia de mantenimiento del producto.
 - B. Llame a Campbell Hausfeld (800-424-8936) por sus opciones de servicio incluidas en la garantía. Los costos de flete correrán por cuenta del comprador.
 - C. Seguir las instrucciones sobre operación y mantenimiento del producto, tal como se indica(n) en el (los) manual(es) del propietario
9. CUANDO EFECTUARA EL GARANTE LA REPARACION O REEMPLAZO CUBIERTO BAJO ESTA GARANTIA: La reparación o reemplazo dependerá del flujo normal de trabajo del centro de servicio y de la disponibilidad de repuestos.

Esta garantía limitada es válida sólo en los EE.UU., Canadá y México y otorga derechos legales específicos. Usted también puede tener otros derechos que varían de un Estado a otro. o de un país a otro.