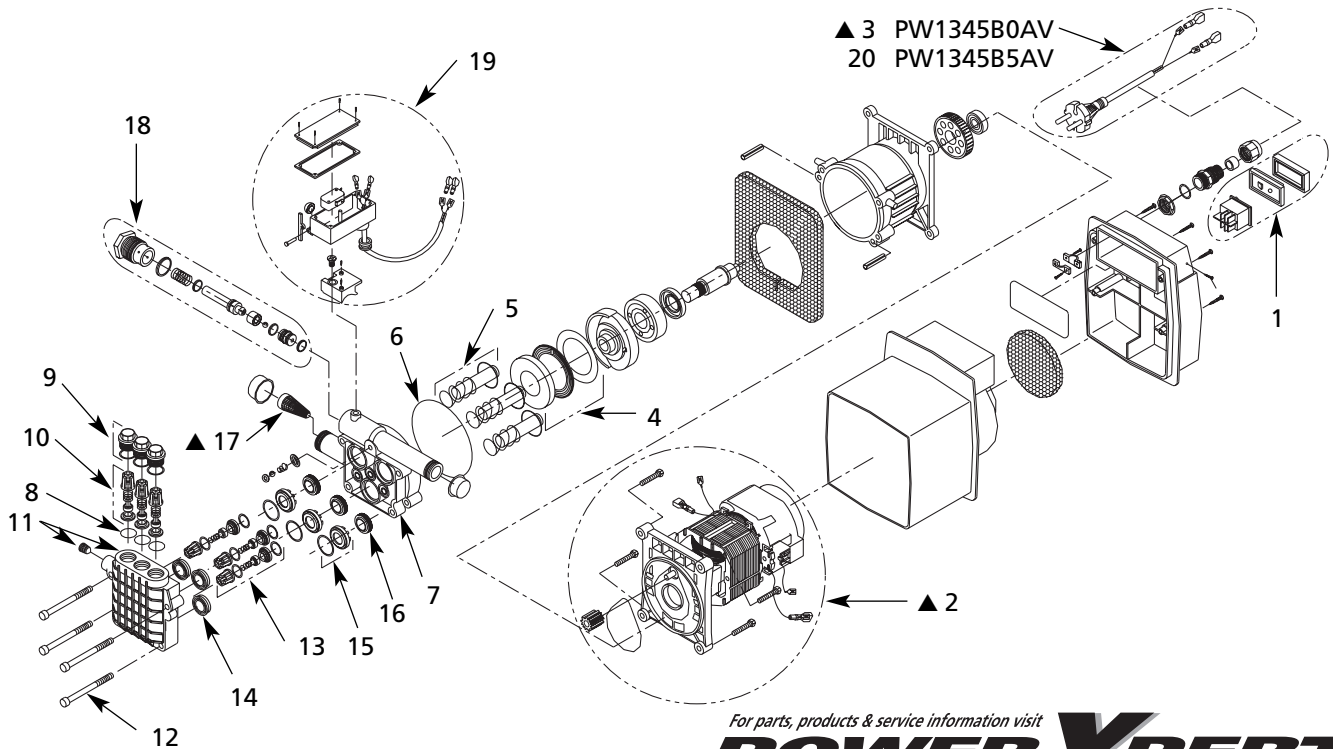


Replacement Parts List

Model PW1345B



For parts, products & service information visit
POWER XPERT
www.chpower.com

For Replacement Parts, Call 1-800-330-0712

Please provide following information:

- Model number
- Serial number (if any)
- Part description and number as shown in parts list

Address parts correspondence to:

Campbell Group/Parts Department
 100 Production Drive
 Harrison, OH 45030

Ref. No.	Description	Part No.	Qty.	Ref. No.	Description	Part No.	Qty.
1	On/off switch kit	PM228000SV	1	11	Manifold assembly head	PM229000SV	1
2	Motor assembly	PM228100SV	1	12	Head bolt (includes 4 bolts)	PM229100SV	1
		* ▲ PM222500SJ	1	13	Inlet valve assembly kit (includes 3 inlet valve assemblies)	PM229200SV	1
3	Power cord assembly	▲ PM228200SV	1	14	Water seal (includes 3 water seals)	PM229300SV	1
		▲ PM060100SV	1	15	Piston guide kit (includes 3 piston guides and 3 o-rings)	PM229400SV	1
4	Needle bearing kit	PM228300SV	1	16	Oil seal (includes 3 oil seals)	PM229500SV	1
5	Piston assembly (includes 3 piston assemblies)	PM228400SV	1	17	Inlet filter	PM229600SV	1
6	O-ring (includes 1 o-ring)	PM228500SV	1			▲ PM014800SV	1
7	Piston body	PM228600SV	1	18	Plunger assembly ISS	PM229700SV	1
8	High pressure head o-ring (includes 3 o-rings)	PM228700SV	1	19	Microswitch assembly ISS	PM229800SV	1
9	Valve cap (includes 3 caps and 3 o-rings)	PM228800SV	1	20	Power cord 16 AWG 2 wire GFCI	PM231800SV	1
10	Outlet valve (includes 3 outlet valve assemblies)	PM228900SV	1				

* Unit assembly may be shipped if replacement motor is not available.

▲ Alternate part