

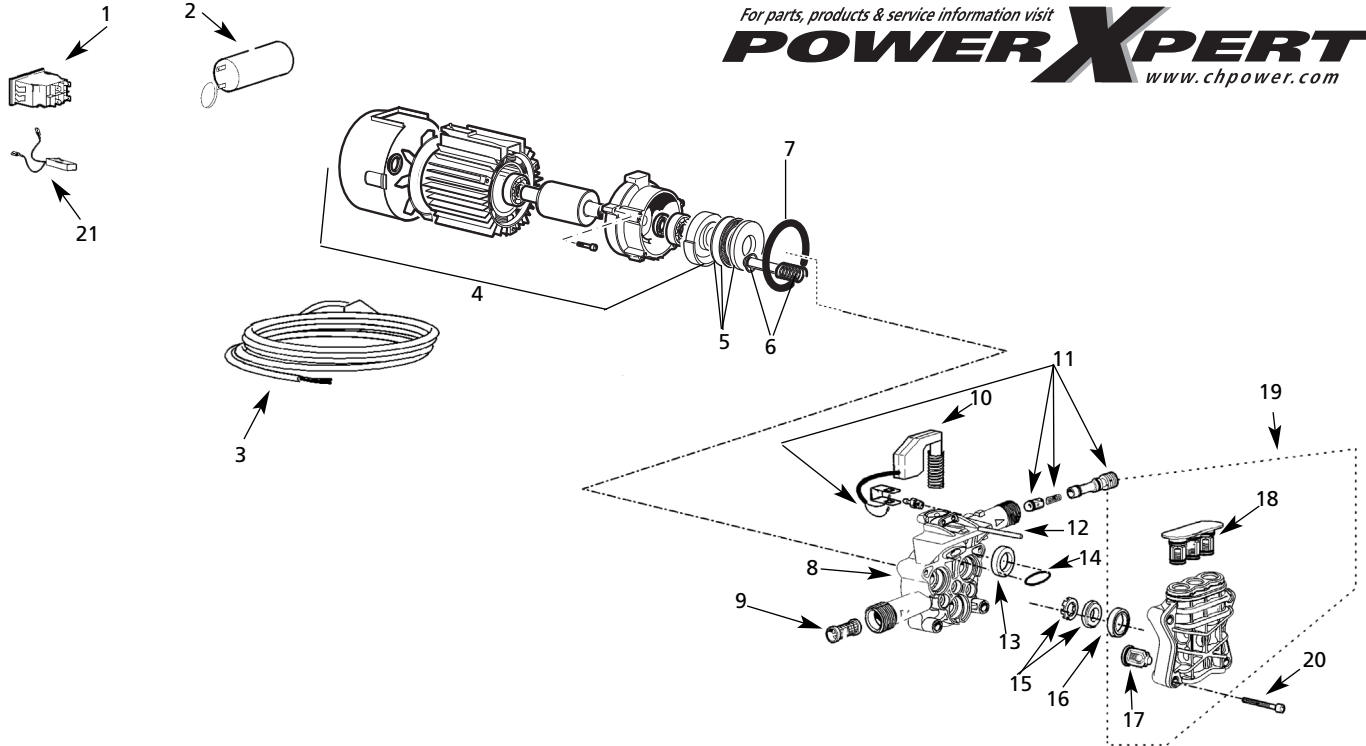


**CAMPBELL
HAUSFELD®**
BUILT TO LAST

Motor/Pump Serviceable Components

Replacement Parts List

PW168605AV



For parts, products & service information visit
POWER XPERT
www.chpower.com

For Replacement Parts or Technical Assistance, Call 1-800-330-0712

Please provide following information:

- Model number
- Serial number (if any)
- Part description and number as shown in parts list

Address any correspondence to:

Campbell Hausfeld / Attn. Customer Service
100 Millennium Parkway
Mt. Juliet, TN 37122 U.S.A.

Ref. No.	Description	Part No.	Qty.	Ref. No.	Description	Part No.	Qty.
1	On/off switch	PM041900SV	1	13	Oil seal kit (includes 3 oil seals)	PM256500SV	1
2	Capacitor, 70 μ F 250V	PM257200SV	1	14	O-ring - 17.32x2.62	PM270140SV	1
3	Power cord, 14AWG, 3 wire GFCI	PM020900SV	1	15	Piston guide kit (includes 3 sets)	PM256400SV	1
*4	Motor assembly	PM271090SV	1	16	Water seal kit	PM256300SV	1
5	Needle bearing kit	PM270110SV	1	17	Inlet valve kit (contains 3 valves)	PM270180SV	1
6	Piston kit (includes 3 pistons and springs)	PM270120SV	1	18	Outlet valves	PM270150SV	1
7	O-ring, 67x2.50	PM270130SV	1	19	Head assembly (includes 1 head, 1 item 18, 3 each items 16 & 17)	PM270160SV	1
8	Piston body	PM270200SV	1	20	Head bolt	PM270170SV	4
9	Inlet filter	PM014800SV	1	21	Thermal protector	PM271100SV	1
10	Microswitch assembly and valve for instant start/stop system	PM270220SV	1				
11	Detergent injector kit	PM270210SV	1		Oil Type: 20W, non-detergent		
12	Pin, 3.5 x 30	PM270190SV	1		Oil Capacity: 2.6 fl. oz.		

* Unit assembly may be shipped if replacement motor is not available.