

Cordless Framing Nailer

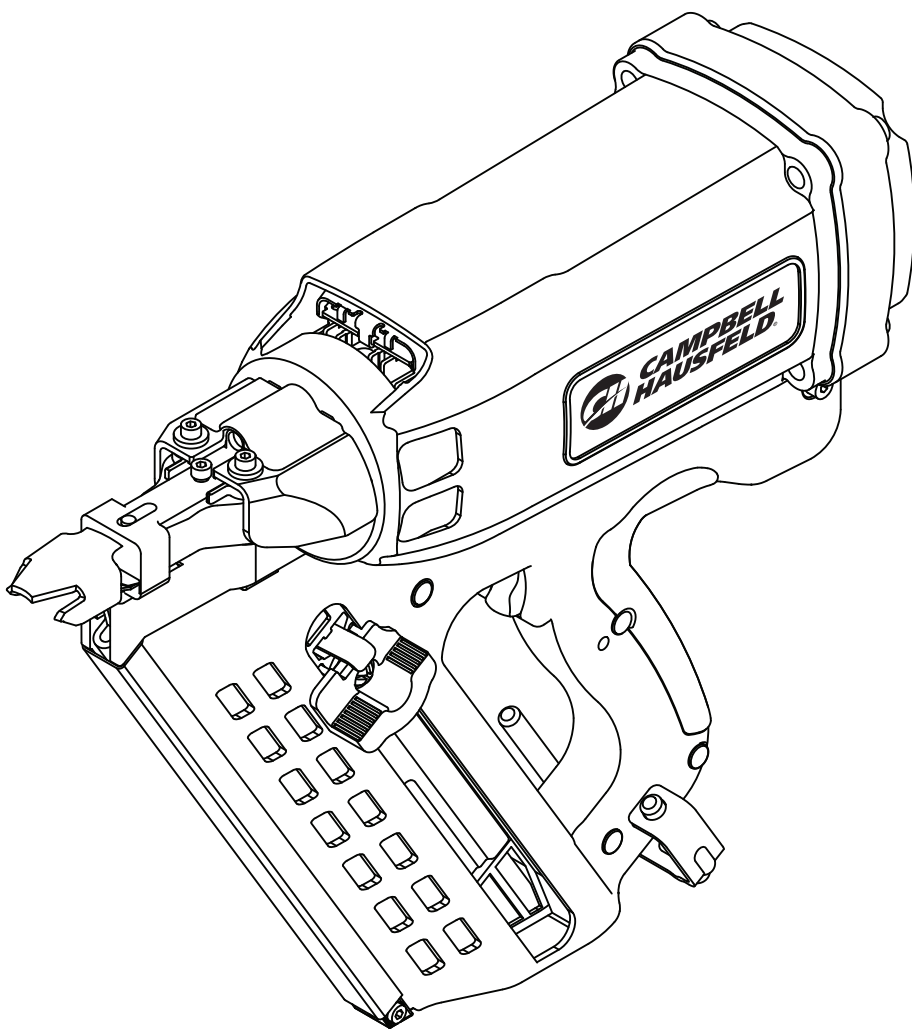


REGISTER YOUR PRODUCT ONLINE NOW! <http://www.chpower.net/reg>

Description

This gas powered nailer is designed for framing, trusses, sub-floors, sheathing, exterior decks, and pallet/crate assembly. Features include: convenient rear loading magazine which holds approximately 40 nails, an adjustable depth of drive mechanism, in-line magazine, anti-dry fire, adjustable utility hook, and battery indicator light. Requires: battery and fuel cell for operation.

This tool uses a mixture of fuel and air that is ignited by a spark to power the fastener driving process. It is a completely self-contained power tool which frees the user from the restrictions of power cords and air hoses.



Specifications

Model NF349099

Requires: Battery and Fuel Cell

Fastener Size Range:

- ◆ 2 inches to 3-1/2 inches long
- ◆ 0.113 inch to 0.131 inch shank diameter
- ◆ 30° to 34°

Magazine Capacity:

40 plus fasteners per load

Weight:

- 7 lbs. 7 oz. (tool alone)
- 7 lbs. 13 oz. (with battery and fuel cell)

Length: 11-1/2 inches

Height: 15-1/4 inches

Cycle Rate:

- Limited:* Approximately 1 nail per second
- Continuous:* 1000 nails per hour

Battery: Li-ion 7.4 VDC
1.2 Ah

Battery Weight: 0.15 lbs.

Battery Charger:

- Input:*
Single Phase AC 100 - 240 V
50 - 60 Hz
- Output:*
9.5 VDC
1200 mA

Estimated Charging Time:

- 5 minutes (200 nails)
- 120 minutes (3000 nails)

Fuel Cell:

Approximately 1200 - 1400 shots per fuel cell

Operating Environment:

- Operating Temperature:*
32° F (0° C) min. to
104° F (40° C) max.
- Operating Altitude:*
0 - 4000 feet above sea level

Locate model number and date code on magazine and/or tool body. Record below:

Model #: _____

Date Code: _____

Retain these numbers for future reference.

FRANÇAISE: Page 19
ESPAÑOL: Página 37

SAVE THESE INSTRUCTIONS
DO NOT DISCARD

Safety Guidelines

This manual contains information that is very important to know and understand. This information is provided for SAFETY and to PREVENT EQUIPMENT PROBLEMS. To help recognize this information, observe the following symbols.

⚠ DANGER *Danger indicates an imminently hazardous situation which, if not avoided, WILL result in death or serious injury.*

⚠ WARNING *Warning indicates a potentially hazardous situation which, if not avoided, COULD result in death or serious injury.*

⚠ CAUTION *Caution indicates a potentially hazardous situation which, if not avoided, MAY result in minor or moderate injury.*

NOTICE *Notice indicates important information, that if not followed, may cause damage to equipment.*

NOTE: Information that requires special attention.

Safety Symbols

The following Safety Symbols appear throughout this manual to alert you to important safety hazards and precautions.



Wear Eye and Mask Protection



Read Manual First



Risk of Personal Injury



Risk of Falling



Wear Eye Protection



Wear Hearing Protection



Risk of Fire



Risk of Explosion



Risk of Shock



Risk of Hot Parts



Risk of Fumes



No Smoking

Table of Contents

Safety Guidelines	2	Operation	10
Safety Symbols	2	Lubrication	10
Important Safety Information	2	Firing the Tool	10
Unpacking	5	Adjusting Fastener Depth	10
Glossary	5	Utility Hook	10
Getting To Know Your Cordless Framing Nailer	6	Maintenance	11
Set-Up	7	Clearing a Jam	11
Charging Battery	7	Tool Repair and Replacement Parts	11
Fuel Cell Preparation	7	Assembly Procedure for Seals and Moving Parts	11
Tool Preparation	8	Air Filter	11
Pre-Operation	8	Storage	11
Insert Battery	8	Technical Service	11
Insert Fuel Cell	8	Troubleshooting Guide	12
Pre-Use Test	9	Replacement Parts List	14
Loading / Unloading the Tool	9	Warranty	18

Important Safety Information

INSTRUCTIONS PERTAINING TO A RISK OF FIRE, ELECTRIC SHOCK, OR INJURY TO PERSONS

This manual contains important safety, operational and maintenance information. If you have any questions, please call 1-800-543-6400 for customer assistance.

⚠ WARNING *When using tools, basic precautions should always be followed, including the following:*

CALIFORNIA PROPOSITION 65

⚠ WARNING *This product or its power cord may contain chemicals known to the State of California to cause cancer and birth defects or other reproductive harm. Wash hands after handling.*

⚠ WARNING *You can create dust when you cut, sand, drill or grind materials such as wood, paint, metal, concrete, cement, or other masonry. This dust often contains chemicals known to cause cancer, birth defects, or other reproductive harm. Wear protective gear.*



GENERAL

- To reduce the risks of electric shock, fire, and injury to persons, read all the instructions before using the tool. Failure to follow warnings, dangers, and cautions could result in DEATH or SERIOUS INJURY.
- Be thoroughly familiar with the controls and the proper use of the equipment. Follow all instructions. Contact your Campbell Hausfeld representative if you have any questions.
- Only persons well acquainted with these rules of safe operation should be allowed to use the unit.



⚠ WARNING *Do not operate or allow anyone else to operate the nailer if any warnings or warning labels are not legible. Warnings or warning labels are located on the nailer magazine and body.*

⚠ WARNING *Always assume the nailer contains fasteners. Respect the tool as a working implement; no horseplay. Always keep others at a safe distance from the work area in case of accidental discharge of fasteners. Do not point the tool toward yourself or anyone else whether it contains fasteners or not. Accidental triggering of the nailer could result in death or serious personal injury.*

⚠ CAUTION *Do not make any modifications to the tool without first obtaining written approval from Campbell Hausfeld. Do not use the nailer if any shields or guards are removed or altered. Do not use the nailer as a hammer. Personal injury or tool damage may occur.*

Important Safety Information (Continued)

WORK AREA

- a. **Keep the work area clean and well lighted.** Cluttered benches and dark areas increase the risks of electric shock, fire, and injury to persons.
- b. **Do not operate the tool in explosive atmospheres, such as in the presence of flammable liquids, gases, or dust.** The tool is able to create sparks resulting in the ignition of the dust or fumes.
- c. **Keep bystanders, children, and visitors away while operating the tool.** Distractions are able to result in the loss of control of the tool.



PERSONAL SAFETY

- a. **Stay alert. Watch what you are doing and use common sense when operating the tool. Do not use the tool while tired or under the influence of drugs, alcohol, or medication.** A moment of inattention while operating the tool increases the risk of injury to persons.
- b. **Dress properly. Do not wear loose clothing or jewelry. Contain long hair. Keep hair, clothing, and gloves away from moving parts.** Loose clothes, jewelry, or long hair increases the risk of injury to persons as a result of being caught in moving parts.
- c. **Do not overreach. Keep proper footing and balance at all times.** Proper footing and balance enables better control of the tool in unexpected situations.
- d. **Use safety equipment.** A dust mask, non-skid safety shoes and a hard hat must be used for the applicable conditions.



▲ WARNING *Ensure that the tool is used only when the operator and all other personnel in the work area are wearing ANSI Z87 eye protection, and when required, other appropriate protection equipment such as head, hearing, and foot protection equipment. Serious eye or permanent hearing loss could result.*



e. **Always wear hearing protection when using the tool.** Prolonged exposure to high intensity noise is able to cause hearing loss.



f. **Do not attach the tool to your body.**

g. **Always assume that the tool contains fasteners.** Do not point the tool toward yourself or anyone else whether it contains fasteners or not.



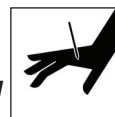
▲ WARNING *Do not drop or throw the tool. Dropping or throwing the tool can result in damage that will make the tool unusable or unsafe. If the tool has been dropped or thrown, examine the tool closely for bent, cracked, or broken parts. STOP and repair before using or serious injury could occur.*

▲ CAUTION *Avoid long extended periods of work with the nailer. Stop using the nailer if you feel pain in hands or arms.*

▲ CAUTION *Hold tool by insulated gripping surface when performing an operation where the tool or fastener may contact hidden wiring. Contacting a "live" wire will make exposed metal parts of the tool "live" and shock the operator.*



▲ WARNING *Never place hands or any other body parts in the fastener discharge area of the nailer. The nailer might eject a fastener and could result in death or serious personal injury.*



h. **Keep face, hands, and feet away from firing area of tool during use.** Never place your face, hands, and feet closer than eight (8) inches to the firing area of the tool. Serious injury can result if a fastener is deflected by the work piece back toward the tool.

▲ WARNING *Some parts become hot during use. DO NOT touch with bare hands. DO NOT touch tool exhaust port. The tool produces hot exhaust which may contain flammable gases. DO NOT touch Work Contact Element (WCE) and nose without removing battery and fuel cell; allow to cool. The Work Contact Element (WCE) and nose will become hot after prolonged or rapid use.*



ELECTRICAL SAFETY

▲ WARNING *Replace batteries only with same size batteries. Using wrong size batteries can create a risk of fire or injury.*



- a. **Never disassemble the battery.**
- b. **DO NOT insert objects into the battery contacts or vents on battery charger.** Electrical shock or damage to the battery and charger may result.

▲ WARNING *The front end of the tool may be made "live" if the tool comes into contact with live wiring in the wall. TO PREVENT ACCIDENTAL ELECTRICAL SHOCK, HOLD TOOL ONLY BY THE SOFT GRIP HANDLE. Inspect work area for live wires BEFORE beginning use of tool.*



TOOL USE AND CARE

▲ DANGER *Do not modify or disable the Work Contact Element (WCE). Do not tie or tape the WCE or trigger in a depressed position. Death or serious personal injury could result.*

▲ WARNING *Always check that the Work Contact Element (WCE) is operating properly. A fastener could accidentally be driven if the WCE is not working properly. Personal injury may occur.*

▲ DANGER *Do not touch the trigger unless driving fasteners. Never install battery or fuel cell or carry nailer while touching the trigger. The tool could eject a fastener which will result in death or serious personal injury.*

a. **Do not force the tool.** Use the correct tool for the application. The correct tool will do the job better and safer at the rate for which the tool is designed.

▲ WARNING *Disconnect the battery and fuel cell from the tool before making adjustments, doing tool maintenance, clearing jams, leaving work area, loading, or unloading the tool. Such precautionary measures reduce the risk of injury to persons.*

b. **Store the tool when it is idle out of reach of children and other untrained persons.** A tool is dangerous in the hands of untrained users.

c. **Maintain the tool with care.** A properly maintained tool reduces the risk of problems and is easier to control.

d. **Always work in a well-ventilated area. Wear OSHA-approved dust mask.**



Important Safety Information (Continued)

- e. **Use tool within safe and proper temperature range.** The operating environment for this tool is between 32°F (0°C) and 104°F (40°C). The tool may fail to operate correctly at temperatures above or below the temperature range.

▲ WARNING *Do not drive a fastener on top of other fasteners. The fastener could glance off and cause death or a serious puncture wound.*

NOTICE *Do not expose tool to extreme heat.*

- f. **Keep all screws, bolts, and covers tightly secured.** Check tool periodically for any loose screws or bolts. Make sure all covers do not slide out of place.
- g. **Do not drive fasteners into thin boards or near corners/edges of work piece.** Fasteners can unintentionally be driven completely through and cause damage. Check depth adjust before using tool.
- h. **Do not disassemble tool.**

▲ CAUTION *Do not make any modifications to the tool without first obtaining written approval from Campbell Hausfeld. Do not modify or alter the nailer or any nailer parts. Do not use the nailer if any shields or guards are removed or altered. Do not use the nailer as a hammer. Personal injury or tool damage may occur.*

▲ DANGER *Never use gasoline or other flammable liquids to clean the nailer. Never use the nailer in the presence of flammable liquids or gases. Vapors could ignite by a spark and cause an explosion which will result in death or serious personal injury.*



BATTERY / FUEL CELL SAFETY

▲ DANGER *The fuel cell of this tool is an aerosol dispenser that is flammable and combustible. Failure to follow instructions on tool use and/or safety warnings may result in explosion or fire. Keep the nailer, fuel cell(s), and battery away from continuous direct sunlight and temperatures exceeding 120°F (49°C), otherwise the fuel cell and/or battery may burst.*



▲ DANGER *No smoking while using this tool. The aerosol fuel cell and tool exhaust is flammable and will ignite if exposed to flame or burning substances. Smoking during use or shortly after use of this tool will create a potential safety hazard.*



▲ DANGER *Do not incinerate or refill the fuel cell or battery of this tool. Do not burn the fuel cell, even after fuel cell is completely depleted. Follow proper disposal instructions and local regulations for the fuel cell and battery.*

NOTE: Battery temperature will increase during and shortly after use.

Battery shelf life - The included battery may be in a slightly depleted state or dead depending on how long the product has awaited purchase. Charge battery. If it does not charge, please call Campbell Hausfeld at 1-800-543-6400 for assistance. DO NOT RETURN TO THE STORE.

Take the fuel cell and battery out of the tool for the following:

- ◆ Doing any maintenance or inspections
- ◆ Clearing a jam
- ◆ The tool is not in use
- ◆ The user is leaving the work area
- ◆ Moving or transporting tool to another location/work site
- ◆ Leaving the tool unattended

STORAGE / END OF USE

▲ WARNING *When battery pack is not in use, keep it away from other metal objects like paper clips, coins, keys, nails, screws, other small metal objects that can make a connection from one terminal to another. Shorting the battery terminals together may cause sparks, burns, or fire.*

- a. Remove battery when storing tool for an extended time.
- b. Do not store in locations where the temperature may reach or exceed 120°F (49°C), such as a metal tool shed, or a car in the summer. This can lead to deterioration of the battery.
- c. When not in use, the tool, fuel cell, and battery should be stored in a cool, dry place. Remove battery and fuel cell and store in case.

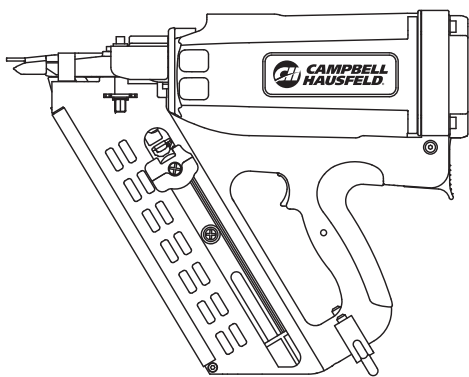
SERVICE

- a. Tool service must be performed only by qualified repair personnel.
- b. When servicing a tool, use only identical replacement parts. Use only authorized parts.

▲ CAUTION *Disconnect fuel cell and battery and release tension from the pusher before attempting to clear jams. Personal injury and/or tool damage may occur.*

The **DANGER**, **WARNING**, **CAUTION**, and **NOTICE** notifications and instructions in this manual cannot cover all possible conditions and situations that may occur. It must be understood by the operator that common sense and caution are factors which cannot be built into this product, but must be supplied by the operator.

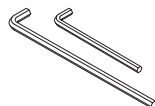
Unpacking



Framing Nailer



ANSI Z87 Eye Protection



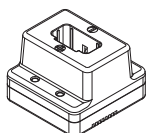
Allen Wrenches



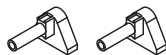
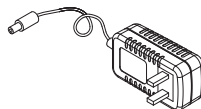
Oil



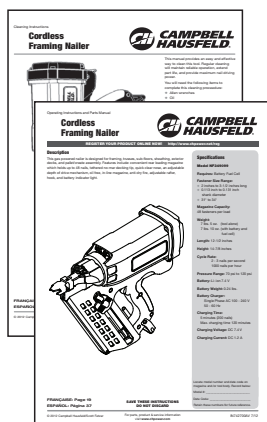
Battery



Battery Charger Base and Adaptor



Gas Valves



Operating Instructions and Cleaning Instructions



Carry Case

After unpacking the unit, inspect carefully for any damage that may have occurred during transit. Check for loose, missing, or damaged parts. Make sure to tighten fittings, bolts, etc., before putting unit into service. Check to be sure all supplied accessories are enclosed with the unit. In case of questions, damaged or missing parts, please call 1-800-543-6400 for customer assistance.

CONTENTS

- ◆ Framing Nailer
- ◆ Battery
- ◆ Battery Charger Base and Adaptor
- ◆ Allen Wrenches
- ◆ Operating Instructions
- ◆ Cleaning Instructions
- ◆ ANSI Z87 eye protection
- ◆ Oil
- ◆ Two (2) Replacement Gas Valves
- ◆ Carry Case

ADDITIONAL ITEMS NOT INCLUDED

- ◆ Fuel cells
- ◆ Fasteners
- ◆ Small tool for clearing jams
- ◆ Hearing protection and other personal protective equipment as required

Glossary

Become familiar with these terms before operating the unit.

ACTUATE (TOOL) — To cause movement to the tool's component(s) intended to drive the fastener.

ACTUATION SYSTEM — The use of a trigger, work contact element (WCE) and/or other operating control, separately or in combination or sequence, to actuate the tool.

FASTENERS — The nailer uses fasteners ranging from 2 inches to 3-1/2 inches long, from 0.113 inch to 0.131 inch shank diameter, and from 30° to 34°.

MAGAZINE — The part of the nailer that holds the Fasteners.

FUEL CELL — A compressed aerosol gas used to power the fastener delivery system of the tool.

BATTERY — The electrical component of the tool that powers the nailer ignition system, fan, and indicating LED light.

BATTERY CHARGER — Supplies charge to the battery for use of the tool.

Getting To Know Your Cordless Framing Nailer

ANTI-DRY FIRE

This tool is equipped with an Anti-Dry Fire feature. This prevents the Work Contact Element (WCE) from being pushed in when only a few nails remain. Simply load new nail clip behind remaining nails to continue shooting.

BATTERY INDICATOR LIGHT

The tool is equipped with an LED light to indicate operation condition of the battery of the tool. The LED has the following functions:

Flashing GREEN light: Power remaining for use.

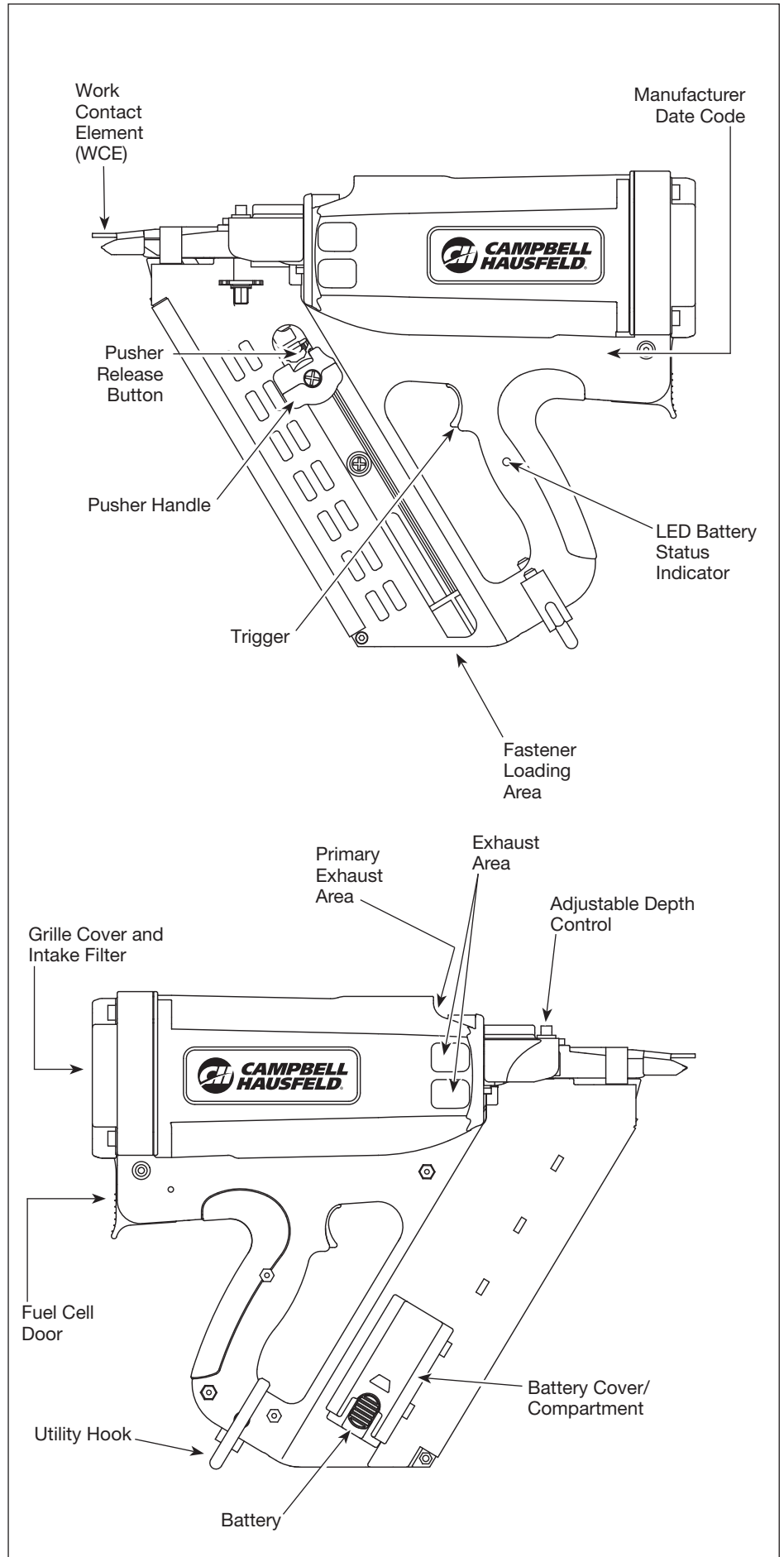
Steady GREEN light: Remains on during operation of the tool.

Flashing RED light: Insufficient power remaining; charge battery.

Fast Flashing RED light: DO NOT operate tool - possible malfunction; see Troubleshooting section.

ADJUSTABLE DEPTH CONTROL

This allows the tool to adjust the depth in which the fastener is placed into the workpiece. For some applications, the depth control will need to be adjusted so that the fastener is flush or above the work surface.



Setup

Read all instructions for tool setup *BEFORE* putting the tool into use.

CHARGING BATTERY

Before using the tool, make sure battery is fully charged.

CAUTION You must charge the battery before using the tool. Only use the battery meant for this tool. Do not use or attempt to use other battery types with this tool.

Setup the charger and charge the battery fully before first use of the tool.

Before plugging the charger into the outlet receptacle:

- ◆ Make sure the voltage on the charger base and adaptor is compatible with the outlet receptacle
- ◆ Make sure the power cord of the charger system is not damaged

WARNING Do not charge the battery at a voltage higher than indicated on the charger. This may cause damage to the battery or the charger.

To charge the battery, do the following:

1. Place the battery into the charger (see Figure 1). Make sure the battery is securely in the charger.
2. Plug the adaptor into the outlet receptacle.
3. Insert the power cord of the adaptor into the charger base (see Figure 2).
4. Charging will begin as soon as the charger and adaptor are connected (see Figure 3). The green LED light on the charger will turn on continuous to indicate charging has begun. If the LED light does not turn on, remove battery and reinsert battery back into charger base. The battery is fully charged when the green LED on the charger base is flashing. Once the battery is fully charged, remove the battery from charger. DO NOT leave it on continuous charge to avoid possible damage to the battery.
5. The red LED light will turn on if a problem exists.

NOTE: The battery charging time can be affected by the temperature of the area where the charger is being used.

6. Once charged, unplug the battery charger adaptor from the outlet receptacle.

CAUTION Do not pull the adaptor out of the outlet receptacle by pulling on the adaptor cord. This could cause the cord to break and may cause electrical shock or property damage. If the cord is yanked and damaged, DO NOT use for charging. Exposed wires can cause an electrical shock.



7. Remove the battery from the battery charger.

Hints to extend battery life:

- ◆ Recharge the battery before it is completely exhausted.
- ◆ Avoid recharging the battery at high temperatures.
- ◆ After charging, wait for the battery to cool to room temperature before use.

WARNING Do not immerse battery or charger in water for any reason. Serious shock and damage to unit may occur.



FUEL CELL PREPARATION

See fuel cell manufacturer instructions for instructions, warnings, and disposal information.

DANGER The fuel cell is flammable. Keep away from open flame or any source which may ignite the fuel cell.

CAUTION If the gas of the fuel cell leaks from the metering valve or the fuel cell itself after attaching the metering valve, replace with a new metering valve. Do not attempt to reuse the metering valve.

To attach the metering valve to a fuel cell, do the following:

1. Remove shipping cap/metering valve from the fuel cell, if applicable. See Figure 4.
2. Remove the metering valve from the protective cap, if applicable. See Figure 5.

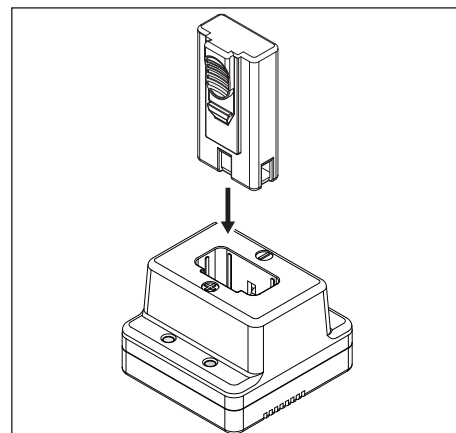


Figure 1

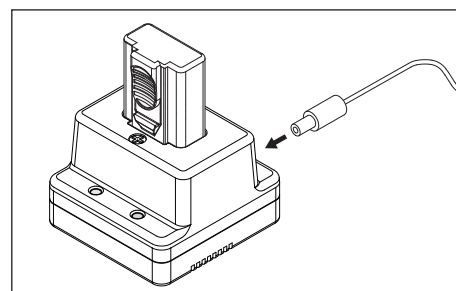


Figure 2

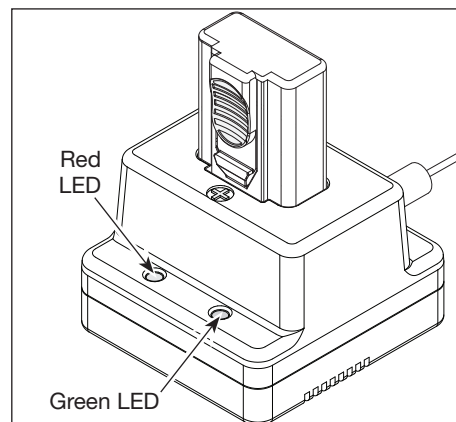


Figure 3

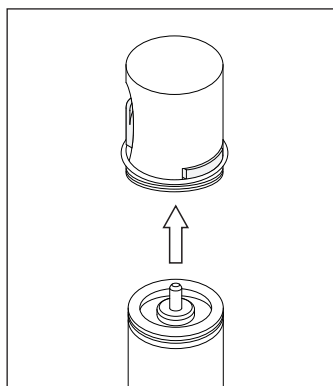


Figure 4

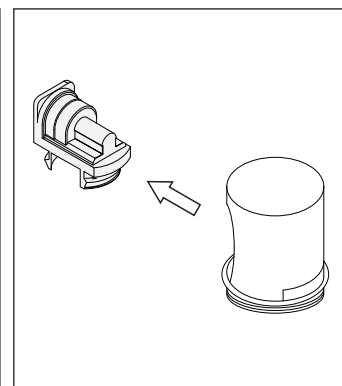


Figure 5

Setup (Continued)

3. Attach the metering valve to the top of the fuel cell with the stem pointing away from your face and body (see Figure 6).
4. Insert the front ridge of the metering valve into the lip of the fuel cell (see Figure 6).
5. Push down firmly on the rear of the metering valve. You will hear a “click” sound (see Figure 7). Push down again on the rear of the metering valve. You will hear a second “click” sound (see Figure 7). The second “click” sound indicates that the metering valve is seated correctly on the fuel cell.
6. In a well-ventilated area, test the fuel cell by pressing the valve ejection tip against a test surface. Do NOT aim or direct toward face or other people. Keep away from sparks and flame. Allow a small amount of the aerosol fuel to dispense. If the fuel does not dispense, the metering valve is not installed correctly or the fuel cell is damaged/empty. Properly discard the fuel cell and restart this procedure with a new fuel cell.

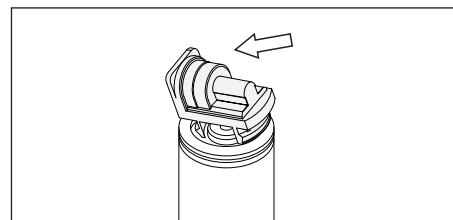


Figure 6

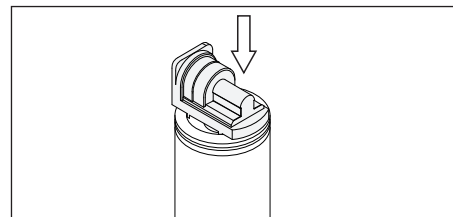


Figure 7

TOOL PREPARATION

At this point, the tool should not be loaded with fasteners. The battery and fuel cell should not be inserted either.

⚠ WARNING NEVER use this tool if the Work Contact Element (WCE) is not operating properly.

Pull pusher handle back to the bottom of the magazine until it locks into position.

Test the WCE by placing against a solid surface and depressing the nose as you would for normal use. **DO NOT** pull the trigger. Remove the tool from the work surface. The WCE should move smoothly up and down as it is placed against and removed from the work surface (see Figure 8).

If the WCE does not move smoothly, **DO NOT** use the tool; call customer service for assistance (1-800-543-6400).

Using the proper allen wrench and a small Phillips screwdriver, make sure all screws and/or socket head cap bolts are securely in place. **DO NOT** overtighten.

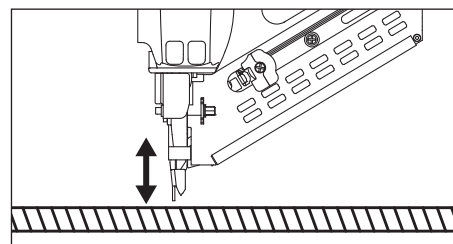


Figure 8

Pre-Operation

INSERT BATTERY

1. Load the battery, contacts first, into the tool (see Figure 9).
2. Push battery forward into the locked position.
3. To remove the battery, push on locking tab; slide battery out.

NOTE: If battery remains in tool, unused, for an extended period of time, the battery will fully deplete its charge. Check the battery first for charge status before returning tool to use.

NOTE: If battery contact terminals become corroded or dirty, it may cause the tool to malfunction. Clean the contact terminals using a fine emery cloth. Do not submerge the battery in water or use any type of cleaning solution on contact terminals.

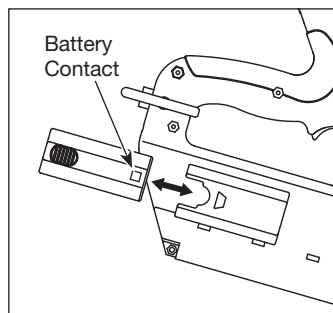


Figure 9

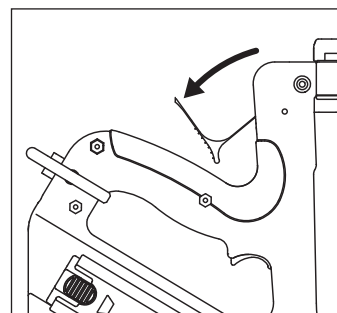


Figure 10

INSERT FUEL CELL

Metering valve must already be attached to fuel cell as explained in Fuel Cell Preparation section.

NOTICE Do not install fuel cell without the metering valve properly attached. This may damage the fuel cell and/or tool.

1. Pull fuel cell door upward and tilt door outward to open. The fuel cell door will swing toward the tool handle (see Figure 10).
2. Insert fuel cell, base first, into tool with metering valve pointed toward the tool's red gas valve (see Figure 11).
3. Insert the stem of the metering valve into the small hole of the red gas valve. (See Figure 12).
4. Close the fuel cell door. Push down until door “clicks” into position.

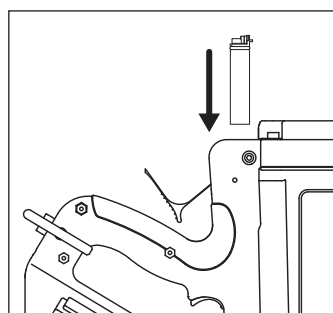


Figure 11

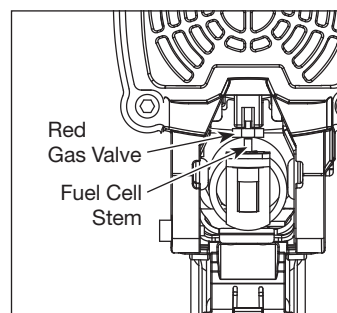


Figure 12

⚠ WARNING Refer to safety instructions and warnings provided by fuel cell manufacturer.

Do NOT expose fuel cell to temperatures above manufacturer's recommended limit.

Pre-Operation (Continued)

PRE-USE TEST

Before loading the tool, test the nailer to ensure proper operation. Pull pusher handle back to the end of the magazine until it locks into position.

1. Keep finger **OFF** the trigger. Depress the WCE by placing nose of tool against a solid surface and depressing the nose as you would for normal use. The tool **MUST NOT** actuate (see Figure 13). At this point, the tool should eject a small, metered quantity of fuel into the combustion chamber. The tool fan should start, dispersing any gaseous exhaust.
2. Remove tool from work surface. Pull the trigger and hold trigger for five seconds. The tool **MUST NOT** actuate and the trigger **SHOULD NOT** fully depress (see Figure 14).
3. **REMOVE** finger from the trigger. Depress the WCE by placing nose of tool against a solid surface and depressing the nose as you would for normal use. Pull the trigger. The tool **MUST** actuate (see Figure 15).

If the tool performs as expected in the three steps above, the tool is ready to be loaded with fasteners.

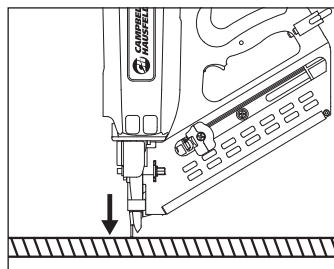


Figure 13

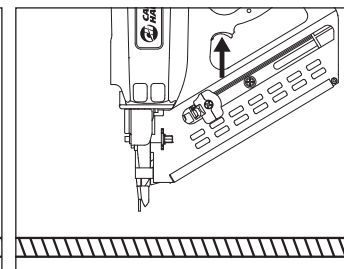


Figure 14

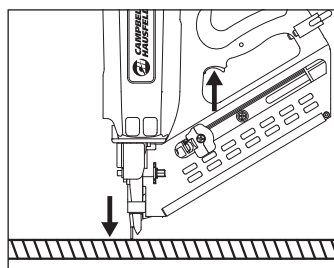


Figure 15

LOADING AND UNLOADING

▲ WARNING *Disconnect the battery and fuel cell from the tool before loading or unloading the tool. Such precautionary measures reduce the risk of injury to persons.*

Loading the Tool

▲ WARNING *When loading fasteners into the tool, DO NOT depress the trigger, DO NOT depress the work contact element, and keep the tool pointed in a safe direction.*

To load the tool, do the following:

1. Pull the fastener pusher to the bottom of the magazine until the fastener pusher is locked in place (see Figure 16).
2. Insert nail strip into the back of the magazine (see Figure 17).
3. Press down on the fastener pusher button and guide the fastener pusher up to meet the bottom of the clip of nails placed in the magazine (see Figure 18).

NOTE: DO NOT release the fastener pusher knob to spring back towards the clip of nails loaded into the magazine. This can damage the nail clip and could cause the tool to jam.

The tool is now ready for use. See Operation section of this manual for tool use instructions.

Unloading the Tool

1. Pull the fastener pusher to the bottom of the magazine until the fastener pusher is locked in place (see Figure 16).
2. Turn tool to the upright position. All remaining nails in magazine will slide out the bottom of the magazine (see Figure 19).

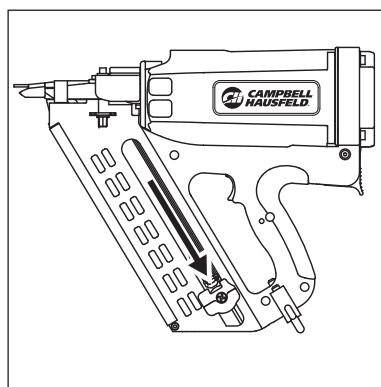


Figure 16

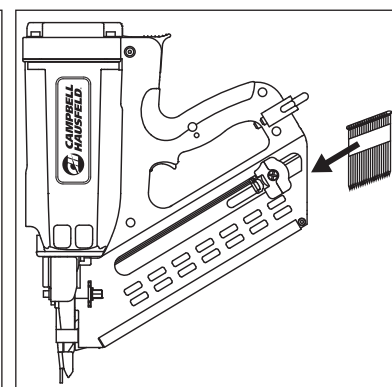


Figure 17

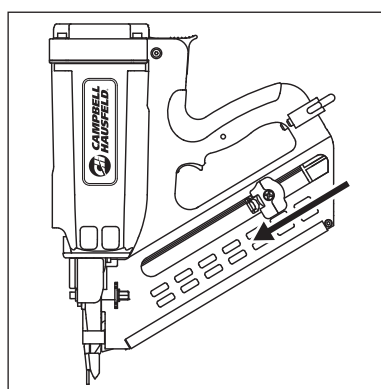


Figure 18

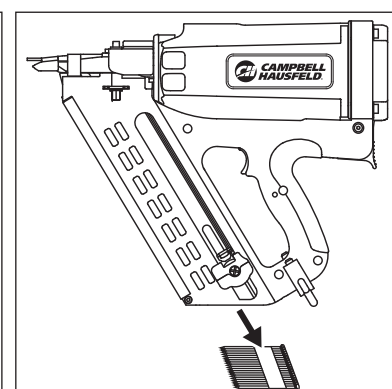


Figure 19

Operation

LUBRICATION

This nailer requires **NO** regular lubrication for normal operation. Lubrication is done during service periods.

NOTICE

The work surface can become damaged by excessive lubrication.

FIRING THE TOOL

With the fuel cell, battery, and fasteners loaded, the tool is ready for use.

WARNING

NEVER use this tool if the Work Contact Element (WCE) is not operating properly.

1. Position tool where fastener is to be driven. DO NOT pull trigger or even hold tool with finger on trigger until position is set on the workpiece (see Figure 20).
2. Press the WCE against the surface of the workpiece until it is in the fully depressed position (see Figure 21).
3. Briefly pull trigger and release. The tool will cycle and drive a fastener into the workpiece.
4. Lift tool from surface of workpiece and the WCE will return to original position. The trigger must be released after each fastener is driven to allow the tool to reset; the WCE will not return to original position until trigger is released.

Repeat this process at the next position where a fastener is needed.

CAUTION

This tool has an Anti Dry Fire (ADF) lockout feature that will not allow the tool to operate when the nail supply in the magazine has reached a low fastener count. The count ranges from 5 to 8 fasteners depending on the type gauge, coating, shank deformity, etc.

NOTICE

DO NOT further attempt to forcefully depress WCE when ADF has engaged. Tool damage MAY occur.

ADJUSTING FASTENER DEPTH

WARNING

NEVER make adjustments to the tool with fasteners in the magazine. Remove fasteners from magazine to prevent accidental discharge of fastener. Remove fuel cell and battery before making adjustments.

1. With the fuel cell, battery, and fasteners removed, loosen the adjustable depth control (ADC) socket head cap screw with 4mm allen wrench (see Figure 22).
2. If nails are driven too deep into work surface, move the work contact element down (or away) from tool body (see Figure 23).
3. If nails are driven too shallow into work surface, move the work contact element up (or toward) to tool body (see Figure 24).
4. Once adjustments are made, tighten the ADC screw. Reload the tool magazine, insert the fuel cell and battery. Drive another fastener. If the fastener depth is still not correct, repeat steps above.

UTILITY HOOK

CAUTION

If the tool falls, there is a risk of mechanical malfunction. There is also a risk of physical injury if the tool discharges a fastener as a result of being dropped.

Use the hook at the base of the tool handle to secure the tool to a solid support. When using the hook, pull the hook away from the tool fully. If not using the hook, keep it closed to prevent it from catching at the work site (see Figure 25). Do not use the hook to attach the tool to your body.

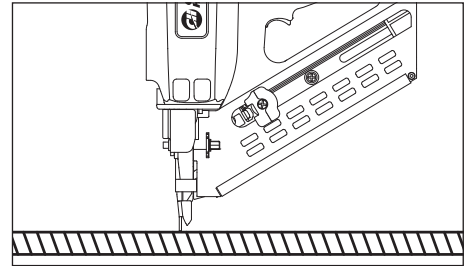


Figure 20

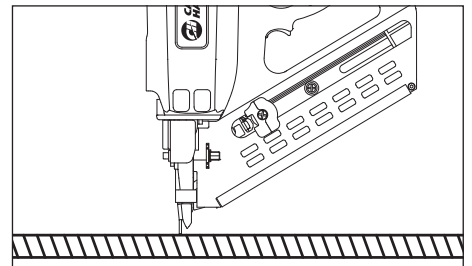


Figure 21

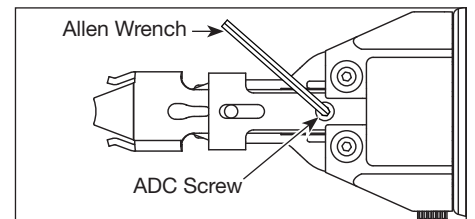


Figure 22

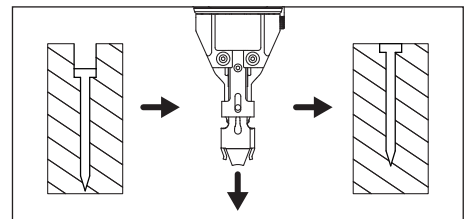


Figure 23

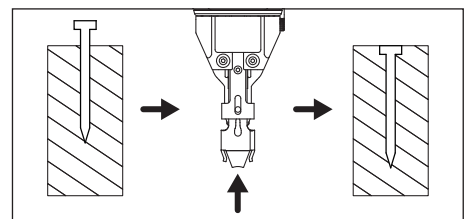


Figure 24

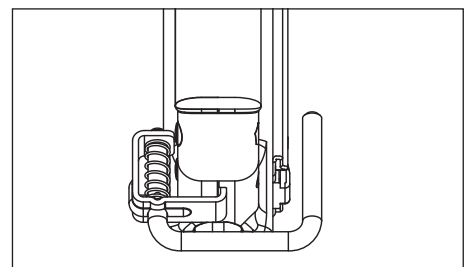


Figure 25

Maintenance

CLEARING A JAM

▲ WARNING *ALWAYS wear ANSI Z87 compliant safety glasses when using tool or making any adjustments or repairs.*

If the tool becomes jammed, do the following to clear the jam:

1. Remove the fuel cell and battery from the tool (see Figure 26).
2. Pull the fastener pusher to the bottom of the magazine and remove all remaining fasteners from the magazine (see Figure 27).
3. Remove the socket head cap bolts with allen wrench (see Figure 28).
4. Pull magazine away from head assembly (see Figure 28). Remove the jammed fasteners.
5. Return head assembly and magazine to original position. Insert and tighten socket head cap bolts.

TOOL REPAIR AND REPLACEMENT PARTS

Only qualified personnel should repair the tool and they should use genuine Campbell Hausfeld replacement parts and accessories, or parts and accessories which perform equivalently.

▲ WARNING *Use only genuine Campbell Hausfeld service parts. Tool performance, safety, and durability could be reduced if improper parts are used. When ordering replacement parts, specify by part number.*

ASSEMBLY PROCEDURE FOR SEALS AND MOVING PARTS

When repairing or servicing a nailer, the internal parts must be cleaned and lubricated. A compatible lubricant must be used on all o-rings. Each o-ring must be coated with the lubricant before assembling. A small amount of oil must be used on all moving surfaces and pivots. After reassembling, a few drops of 30W non-detergent oil or equivalent, must be added one time before normal operational use.

AIR FILTER

Open fuel cell door. Remove air exhaust cover (grille) by pressing on grille and turning grille slightly out toward the top of the tool. The filter is held in place by the grille; filter should lift out of place easily (see Figure 29). Remove all large particulates from the grille and wash with a mild soap and water. Check and clean the filter on a regular basis before and after regular use. We recommend cleaning the filter every other day and before and after tool is placed in storage for any long period of time.

STORAGE

▲ WARNING *Store tool properly with fuel cell and battery removed. Remove all fasteners from the tool.*

- ◆ Store nailer in a cool, dry location. Do not store in a warm location or a location that will possibly increase to temperatures above 120°F (49°C).
- ◆ Make sure stored tool is out of the reach of children; use storage case to help secure the tool. Use storage case to store components of tool separately.

TECHNICAL SERVICE

For information regarding the operation or repair of this product, please call 1-800-543-6400.

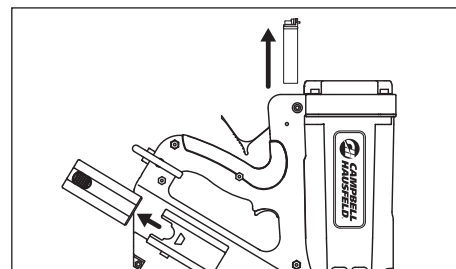


Figure 26

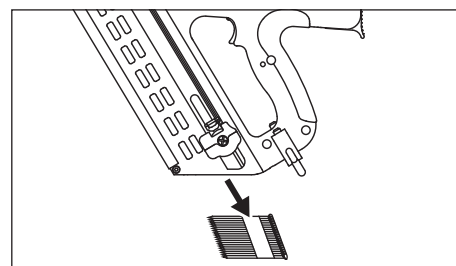


Figure 27

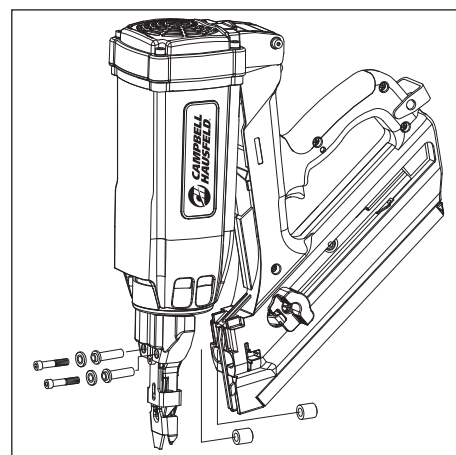


Figure 28

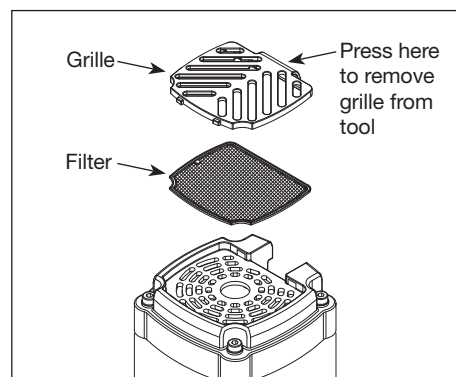


Figure 29

Troubleshooting Guide

⚠ WARNING

Stop using nailer immediately if any of the following problems occur. Serious personal injury could result. Any repairs or replacements must be done by a Qualified Service Person or Authorized Service Center.

Problems with Battery and/or Battery Charger

SYMPTOM	CAUSE	SOLUTION
Battery will not charge when placed in battery charger.	1. Defective or malfunctioning charger	1. Replace the charger. Call 1-800-543-6400 for assistance.
	2. LED lights on battery charger or tool not working	2. Insert the battery into the tool and attempt normal operation. If tool does not work, replace charger. Power supply or charging base not plugged in. Call 1-800-543-6400 for assistance.
	3. Battery damaged or battery life cycle expired	3. Replace the battery. Call 1-800-543-6400 for assistance.
Tool's fan operates slowly, does not function and/or tool LED on tool handle is flashing or solid red.	1. Battery is not charged	1. Charge the battery.
	2. Battery contact terminals are dirty or obstructed	2. Clean the battery contact terminals with a fine emery cloth.
Charger becomes hot, makes loud noises, or creates smoke during charging process.	Damaged charger	Remove charger from use. Unplug charger. Replace charger.

Problems with Fuel Cell

SYMPTOM	CAUSE	SOLUTION
Tool will not drive fastener, but fan runs and LED on tool handle is green.	1. Fuel cell is empty	1. Replace fuel cell.
	2. Fuel cell is damaged or leaking	2. Replace fuel cell.
	3. Metering valve popped off fuel cell head	3. Allow tool and fuel cell to cool down. Reinstall meter valve to fuel cell and reinstall fuel cell into tool.
	4. Damaged gas valve	4. Allow tool and fuel cell to cool down. Replace gas valve.

General Problems

SYMPTOM	CAUSE	SOLUTION
Work Contact Element (WCE) does not depress or does not depress fully. Tool's fan will not operate when WCE is depressed.	1. WCE is bent or damaged	1. Check for an obstruction or jammed fastener. DO NOT put tool into use until WCE operates correctly.
	2. Fastener pusher is not seated behind the loaded fasteners	2. Unload magazine and reload per the loading instructions.
	3. Screws loose	3. Check connections and tighten if necessary.
	4. Magazine empty or low	4. Load fasteners.
	5. Problem with the battery	5. Check tool LED color. If the LED is red, charge battery. If the LED is green, call 1-800-543-6400 for assistance.
Tool operates, but no fastener is driven.	1. Fastener jam	1. Clear jam as instructed in Maintenance section.
	2. Fastener pusher malfunction	2. Unload fasteners, check fastener pusher operation, and/or clean magazine.
	3. Magazine spring weak or damaged	3. Replace spring in magazine. Call 1-800-543-6400 for assistance.
	4. Wrong type fasteners loaded	4. Remove fasteners and check compatibility. Only use compatible fasteners.
	5. WCE is stuck or wedged	5. Check WCE for proper operation.
	6. Tool skipped and/or driver did not retract due to a difficulty during operation	6. Remove fasteners, battery, and fuel cell. Manually press driver back into tool with a long, thin screwdriver.
Fasteners jam. Fastener driver is bent.	1. Wrong type fasteners loaded	1. Remove fasteners and check compatibility. Only use compatible fasteners.
	2. Driver blade worn or damaged	2. Call 1-800-543-6400 for assistance and replacement part.
Tool cycles in a weak, errant, or erratic way between driving fasteners.	Dirty exhaust valve and/or muffler	Clean with degreaser cleaner (see Cleaning Instructions manual). Repair or replace deformed valve.

Troubleshooting Guide



WARNING Stop using nailer immediately if any of the following problems occur. Serious personal injury could result. Any repairs or replacements must be done by a Qualified Service Person or Authorized Service Center.

General Problems (Continued)

SYMPTOM	CAUSE	SOLUTION
Driver blade of tool does not operate smoothly or return to pre-fire position.	<ol style="list-style-type: none"> 1. Driver blade is dirty or debris is in pathway 2. Driver blade is bent 3. Exhaust valve dirty or deformed due to excessive usage and heat 4. Filter is blocked or dirty; tool is overheating 5. Screws loose 	<ol style="list-style-type: none"> 1. Remove battery and fuel cell, then clean driver blade pathway or remove debris. 2. Do not use tool. Call 1-800-543-6400 for assistance. 3. Remove battery, fasteners, and fuel cell. Clean if dirty and replace if deformed. 4. Remove and clean filter. 5. Check connections and tighten if necessary.
Tool operates properly, but fastener does not drive completely into work surface.	<ol style="list-style-type: none"> 1. Fastener depth adjust not set correctly 2. Fuel cell is low 3. Leak in fuel system 	<ol style="list-style-type: none"> 1. Follow instruction in Operation section for Adjusting Fastener Depth. 2. Check fuel cell, metering valve connection, and/or replace with new fuel cell if necessary. 3. Depress WCE against the work surface and hold in place for a few seconds. Pull the trigger to actuate tool. Fastener should drive into work surface. If no fastener is driven, there may be a leak in the fuel delivery system. Discontinue use and call 1-800-543-6400 for assistance.
Tool operates erratically. Tool LED is green.	<ol style="list-style-type: none"> 1. Fuel cell is low 2. Malfunction in electrical components 3. Filter is blocked or dirty; tool is overheating 4. Tool is dirty 5. Filter is blocked or dirty; tool is overheating 6. Screws loose 	<ol style="list-style-type: none"> 1. Check fuel cell. Replace fuel cell if necessary. 2. Call 1-800-543-6400 for assistance. 3. Remove filter element and clean; inspect exhaust and remove any debris or blockage. Allow tool to cool down if exhaust port is warmer to the touch than when in normal use. 4. Clean tool. 5. Remove and clean filter. 6. Check connections and tighten if necessary.
Tool does not fire fastener every time trigger is pulled.	<ol style="list-style-type: none"> 1. Check fasteners 2. Fastener pusher malfunction 3. Magazine spring weak or damaged 4. Driver blade worn or damaged 5. Check driver blade of tool has returned to pre-fire position 6. Driver blade is dirty or debris is in pathway 7. Filter is blocked or dirty; tool is overheating 8. Screws loose 	<ol style="list-style-type: none"> 1. Remove fasteners and check compatibility. Only use compatible fasteners. 2. Unload fasteners, check fastener pusher operation, and/or clean magazine. 3. Replace spring in magazine. Call 1-800-543-6400 for assistance. 4. Call 1-800-543-6400 for assistance and replacement part. 5. If driver blade is not in pre-fire position, the trigger was not pulled all the way. Depress WCE against scrap piece work surface and pull trigger. This should return driver blade to pre-fire position. If it does not, remove fasteners, battery, and fuel cell. Call 1-800-543-6400 for assistance. 6. Remove battery and fuel cell, then clean driver blade pathway or remove debris. 7. Remove and clean filter. 8. Check connections and tighten if necessary.
Tool does not drive fastener. Fan comes on, fuel cell is confirmed to have fuel, and WCE moves freely.	<ol style="list-style-type: none"> 1. Dirty or worn spark plug 2. Check wiring for breaks or disconnected plugs 	<ol style="list-style-type: none"> 1. Remove and clean spark plug. Reinsert spark plug and attempt to operate. If still not working, replace spark plug. 2. Replace plug and/or wiring harness and/or e-module (in that order).

Replacement Parts Illustration

**For Replacement Parts or Technical Assistance,
Call 1-800-543-6400**

Please provide following information:

- Model number
- Serial number (if any)
- Part description and number as shown in parts list

Address any correspondence to:

Campbell Hausfeld
Attn: Customer Service
100 Production Drive
Harrison, OH 45030 U.S.A.

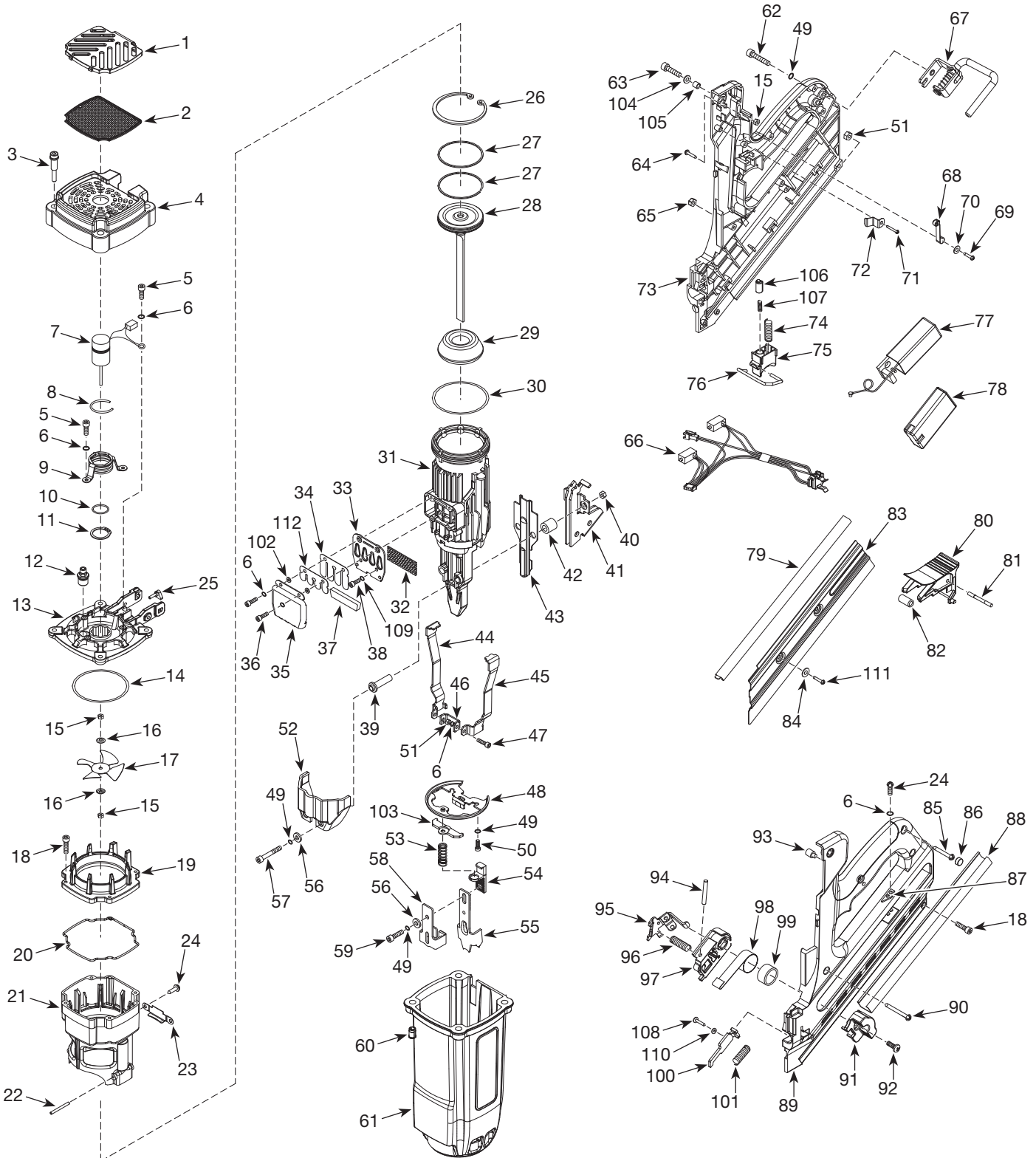


Figure 30

Replacement Parts List

Ref. No.	Description	Part Number	Qty.	Ref. No.	Description	Part Number	Qty.
1	Grille	▲	1	41	Rear drive guide	▶	1
2	Filter	▲ ■	1	42	Rear bushing	▶	2
3	Socket head cap screw	▲	4	43	Front drive guide	▶	1
4	Top cover	▲	1	44	Right WCE bracket	✱	1
5	Ground screw, M4 x 10	●	4	45	Left WCE bracket	✱	1
6	Spring washer	● ✱ ✱ D	10	46	WCE bracket connector	✱	1
7	Motor	●	1	47	Screw, 34 x 8	✱	2
8	Wire ring	●	1	48	Cylinder mounting plate	✱	1
9	Motor mount bracket	●	1	49	Spring washer	▶ ✱ D	7
10	O-ring, 22 x 2	●	1	50	Screw, 10 - 24 x 14	✱	2
11	Retaining ring	●	1	51	Nut, M4	✱ D	3
12	Spark plug	NF000100AV ■	1	52	WCE spring cover	▶	1
13	Cylinder head	NF000200AV	1	53	WCE spring cover	✱	1
14	O-ring, 66.3 X 3.5	■	1	54	ADC tie plate	✱	1
15	Motor shaft nut	●	3	55	Work Contact Element (WCE)	✱	1
16	Washer	●	2	56	Washer	▶ ✱	3
17	Fan blade	●	1	57	ADC socket screw, M5 x 55	▶	2
18	Screw, M4 x 16	◆ D	2	58	ADC adjustment bracket	✱	1
19	Combustion chamber ring	◆	1	59	Screw, M5 x 12	✱	1
20	Combustion chamber seal	■	1	60	Threaded insert	△	4
21	Combustion chamber	◆	1	61	Head housing	△	1
22	Pin	◆	1	62	Screw, M5 x 16	D	1
23	Combustion chamber plate	■ ◆	1	63	Screw	D	2
24	Screw, M4 x 6	■ ◆ D	4	64	Screw	✱ D	1
25	Nozzle	■ ⊕	1	65	Rubber screw cap (right side), M4	D	4
26	Retaining ring	■ ▼ ★	1	66	Wiring harness and switch assembly	○	1
27	Piston ring	▼	2	67	Utility hook	D	1
28	Driver assembly	▼	1	68	Roller arm lever assembly	○	1
29	Bumper	■	1	69	Screw	○	1
30	Steel seal ring	■ ★	1	70	Washer	○	1
31	Cylinder	★	1	71	Screw	D	1
32	Sieve	✱	1	72	Clamp	D	1
33	Exhaust baffle	✱	1	73	Housing (right side)	□	1
34	Reed valve	■ ✱	1	74	Trigger spring	◇	1
35	Cover	✱	1	75	Trigger	◇	1
36	Screw	✱	2	76	Trigger lock rod	◇	1
37	Muffler	■ ✱	1	77	Electronic module with LED	NF000300AV	1
38	Screw	✱	2	78	Lithium ion rechargeable battery	NF000400AV	1
39	Front bushing	▶	2	79	Nail head guide	✱	1
40	Nut	▶	2	80	Fuel cell door	▽	1

Replacement Parts Illustration

**For Replacement Parts or Technical Assistance,
Call 1-800-543-6400**

Please provide following information:

- Model number
- Serial number (if any)
- Part description and number as shown in parts list

Address any correspondence to:

Campbell Hausfeld
Attn: Customer Service
100 Production Drive
Harrison, OH 45030 U.S.A.

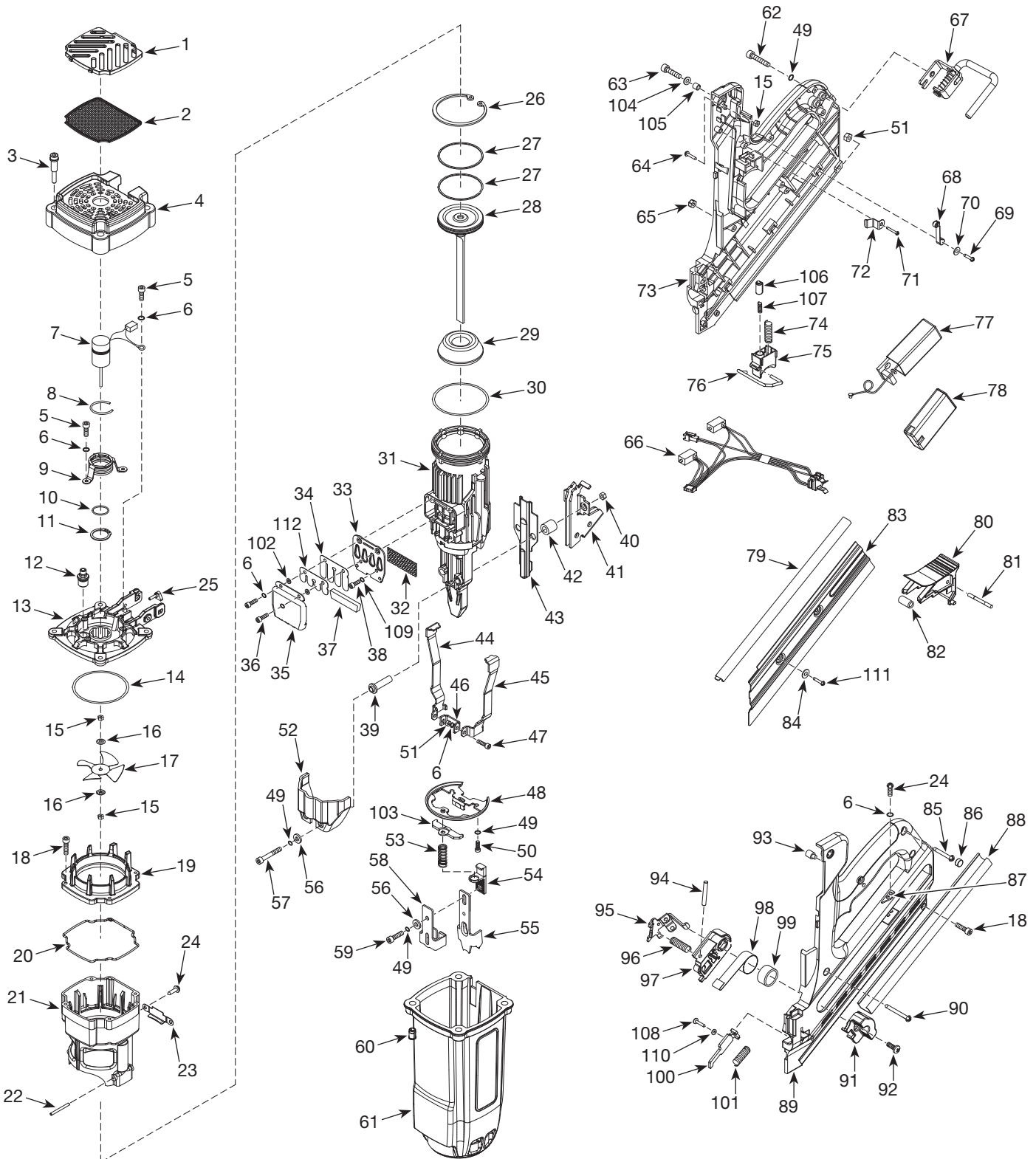


Figure 31

Replacement Parts List (Continued)

Ref. No.	Description	Part Number	Qty.	Ref. No.	Description	Part Number	Qty.
81	Fuel cell door pin	▽	1	111	Screw	☆	1
82	Rubber sleeve	▽	1	112	Reed valve supporter	■ ✕	1
83	Magazine cover plate	⊗	1	113	Charging base (not shown)	NF000500AV	
84	Washer	⊗	2	114	Charging base adaptor (not shown)	NF000600AV	
85	Screw	D	3	115	Replacement latch for case (not shown)	NF002400AV	
86	Rubber screw cap (left side)	D	4	REPLACEMENT PARTS KITS			
87	Pusher catch plate	D	1	▲	Top cover kit	NF000700AV	
88	Magazine channel clamp	□	1	■	Rebuild kit	NF000800AV	
89	Housing (left side)	□D	1	●	Fan motor kit	NF000900AV	
90	Screw	D	1	◆	Combustion chamber assembly	NF001000AV	
91	Pusher handle	☆	1	▼	Piston assembly	NF001100AV	
92	Screw	☆	1	★	Cylinder kit	NF001200AV	
93	LED light pipe	□	1	✕	Exhaust kit	NF001300AV	
94	Pusher pin	☆	1	⦿	Drive guide kit (includes extra nuts)	NF001400AV	
95	Pusher	☆	1	♣	WCE kit	NF001500AV	
96	Pusher spring	☆	1	△	Head housing kit	NF001600AV	
97	Pusher housing	☆	1	□	Housing kit	NF001700AV	
98	Coil spring	☆	1	○	Wiring harness & switch kit	NF001800AV	
99	Bushing	☆	1	◇	Trigger assembly	NF001900AV	
100	ADF engagement plate	☆	1	▽	Fuel cell door kit	NF002000AV	
101	ADF spring	☆	1	☆	Pusher assembly kit	NF002100AV	
102	Washer	✕	2	⊗	Nail guide kit	NF002200AV	
103	Spacer block	♣	1	D	Housing hardware kit	NF002300AV	
104	Washer	D	2	⊕	Nozzle kit (set of 2)	NF002500AV	
105	Bushing	D	2	--	Not Available		
106	Trigger cylinder	◇	1				
107	Trigger cylinder spring	◇	1				
108	Screw	☆	1				
109	Washer	✕	2				
110	Clamp washer	☆	1				

Reminder: *Keep your dated proof of purchase for warranty purposes! Attach it to this manual or file it for safekeeping.*

Limited Warranty

1. DURATION: From the date of purchase by the original purchaser as follows: One (1) Year.
2. WHO GIVES THIS WARRANTY (WARRANTOR): Campbell Hausfeld / Scott Fetzer Company, 100 Production Drive, Harrison, Ohio, 45030, Telephone: (800) 543-6400
3. WHO RECEIVES THIS WARRANTY (PURCHASER): The original purchaser (other than for purposes of resale) of the Campbell Hausfeld product.
4. WHAT PRODUCTS ARE COVERED BY THIS WARRANTY: This Campbell Hausfeld cordless nailer.
5. WHAT IS COVERED UNDER THIS WARRANTY: Substantial defects in material and workmanship which occur within the duration of the warranty period with the exceptions below.
6. WHAT IS NOT COVERED UNDER THIS WARRANTY:
 - A. Implied warranties, including those of merchantability and FITNESS FOR A PARTICULAR PURPOSE ARE LIMITED FROM THE DATE OF ORIGINAL PURCHASE AS STATED IN THE DURATION. If this product is used for commercial, industrial or rental purposes, the warranty will apply for ninety (90) days from the date of purchase. Some States do not allow limitation on how long an implied warranty lasts, so the above limitations may not apply to you.
 - B. ANY INCIDENTAL, INDIRECT, OR CONSEQUENTIAL LOSS, DAMAGE, OR EXPENSE THAT MAY RESULT FROM ANY DEFECT, FAILURE, OR MALFUNCTION OF THE CAMPBELL HAUSFELD PRODUCT. Some States do not allow the exclusion or limitation of incidental or consequential damages, so the above limitation or exclusion may not apply to you.
 - C. Any failure that results from an accident, purchaser's abuse, neglect or failure to operate products in accordance with instructions provided in the owner's manual(s) supplied with product. Accident, purchaser's abuse, neglect or failure to operate and clean products in accordance with instructions shall also include the removal or alteration of any safety devices. If such safety devices are removed or altered, this warranty is void.
 - D. Normal adjustments and cleaning which are explained in the owner's manual(s) provided with the product.
 - E. Items or service that are normally required to maintain the product, e.g. o-rings, springs, bumpers, driver blades, batteries, gaskets, packings or seals, lubricants, reed valve, or any other expendable part not specifically listed. These items will only be covered for ninety (90) days from date of original purchase. Underlined items are warranted for defects in material and workmanship only.
7. RESPONSIBILITIES OF WARRANTOR UNDER THIS WARRANTY: Repair or replace, at Warrantor's option, products or components which are defective, have malfunctioned and/or failed to conform within the duration of the specific warranty period.
8. RESPONSIBILITIES OF PURCHASER UNDER THIS WARRANTY:
 - A. Provide dated proof of purchase and maintenance records.
 - B. Deliver or ship the Campbell Hausfeld product or component to the nearest Campbell Hausfeld Authorized Service Center. Freight costs, if any, must be borne by the purchaser.
 - C. Use reasonable care in the operation and maintenance of the products as described in the owner's manual(s).
9. WHEN WARRANTOR WILL PERFORM REPAIR OR REPLACEMENT UNDER THIS WARRANTY: Repair or replacement will be scheduled and serviced according to the normal work flow at the servicing location, and depending on the availability of replacement parts.

This Limited Warranty applies in the United States, Canada and Mexico only and gives you specific legal rights. You may also have other rights which vary from state to state or country to country.

Cloueuse d'Encadrement sans Fil



CAMPBELL HAUSFELD®

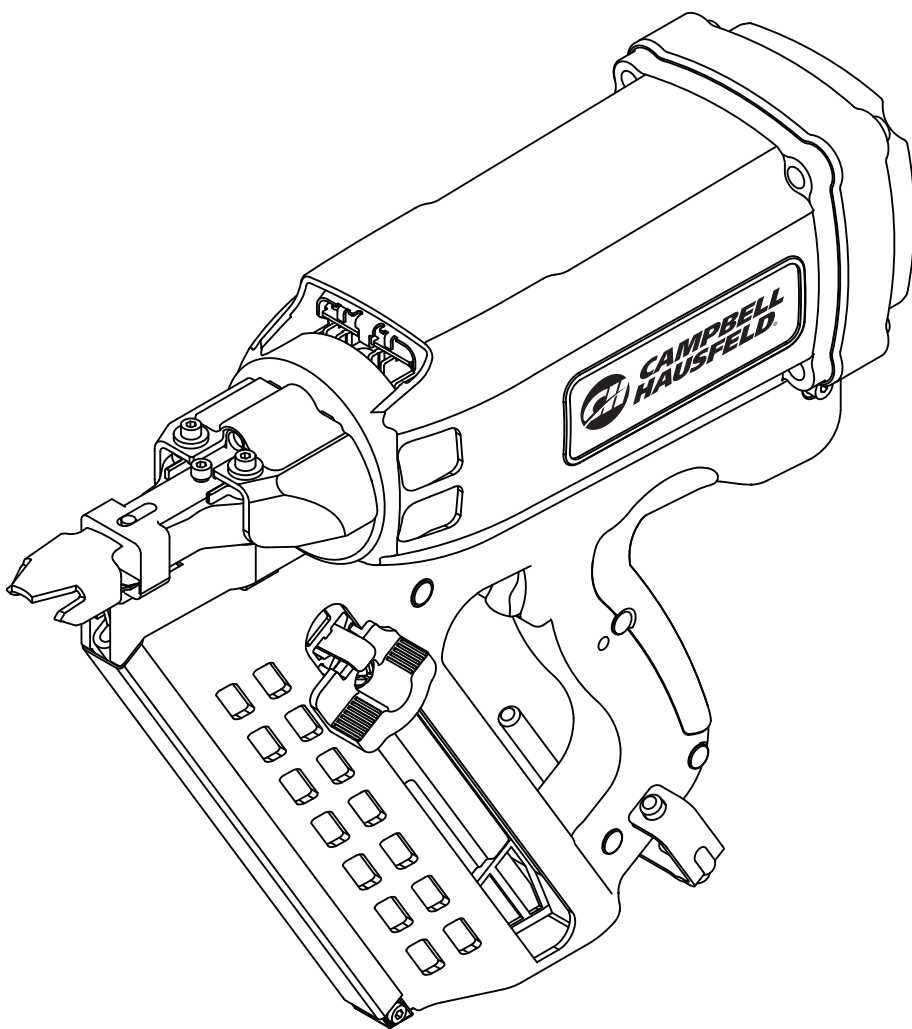
ENREGISTREZ VOTRE PRODUIT EN LIGNE MAINTENANT !

<http://www.chpower.net/reg>

Description

Cette cloueuse à essence est conçue pour l'encadrement, les fermes de toit, les sous-planchers, le revêtement, les terrasses extérieures et l'assemblage de palettes/caisses. Les caractéristiques incluent : magasin pratique à chargement arrière contenant environ 40 clous, un réglage de pénétration des clous, un chargeur en ligne, une anti-décharge à sec, un crochet utilitaire réglable et un voyant de batterie. Nécessite : Batterie et pile à combustible pour le fonctionnement.

Cet outil utilise un mélange d'essence et d'air enflammé par une étincelle lui permettant d'activer le processus d'entraînement des attaches. C'est un outil électrique entièrement autonome qui libère l'utilisateur des restrictions associées aux cordons d'alimentation et aux boyaux d'air.



Spécifications

Modèle NF349099

Exigences : Batterie et pile à combustible

Plage de tailles d'attaches :

- ◆ 2 à 3-1/2 po (5,08 à 8,89 cm) de longueur.
- ◆ 0,28 à 0,33 cm (0,113 à 0,131 po) de diamètre de tige
- ◆ 30° à 34°

Capacité du chargeur :

40 attaches et plus par chargement

Poids :

- 3,37 kg (7 lb, 7 oz) [outil seul]
- 3,54 kg (7 lb, 13 oz) [avec batterie et pile à combustible]

Longueur : 11-1/2 po (29,21 cm)

Hauteur : 15-1/4 po (38,74 cm)

Capacité de cycles :

- Limité :* Environ un clou à la seconde
- Continu :* 1 000 clous par heure

Batterie : Li-ion 7,4 V c.c.
1,2 Ah

Poids de la batterie : 68,04 g
(0,15 lb)

Chargeur de batterie :

- Entrée :*
Monophasé de c.a. 100 – 240 V
50 - 60 Hz
- Sortie :*
9,5 V c.c.
1 200 mA

Temps de charge estimé :

- 5 minutes (200 clous)
- 120 minutes (3 000 clous)

Pile à combustible :

- Environ 1 200 à 1 400 coups par pile à combustible

Environnement de fonctionnement :

- Température de fonctionnement :*
Minimum 0 °C (32 °F) à un maximum de 40 °C (104 °F)
- Altitude de fonctionnement :*
0 à 1 219 m (0 à 4 000 pi)
au-dessus du niveau de la mer

Trouver le numéro de modèle et le code de date sur le chargeur et/ou le corps de l'outil.

Inscrire plus bas:

N° du Modèle : _____

Code Date : _____

Conserver ces numéros comme référence.

ENGLISH: Page 1
ESPAÑOL: Página 37

CONSERVER CES INSTRUCTIONS
NE LES JETEZ PAS

Directives de Sécurité

Ce manuel contient de l'information très importante qui est fournie pour la SÉCURITÉ et pour ÉVITER LES PROBLÈMES D'ÉQUIPEMENT. Rechercher les symboles suivants pour cette information.

▲ DANGER *Danger indique une situation dangereuse imminente qui MÈNERA à la mort ou à des blessures graves si elle n'est pas évitée.*

▲ AVERTISSEMENT *Avertissement indique une situation potentiellement dangereuse qui, si elle n'est pas évitée, POURRAIT mener à la mort ou à de graves blessures.*

▲ ATTENTION *Attention indique une situation potentiellement dangereuse qui, si elle n'est pas évitée, PEUT mener à des blessures mineures ou modérées.*

AVIS *Avis indique de l'information importante qui pourrait endommager l'équipement si elle n'est pas respectée.*

IMPORTANT : Information qui exige une attention spéciale.

Symboles de sécurité

Les symboles de sécurité suivants apparaissent dans l'ensemble de ce manuel pour vous aviser des dangers et précautions importants de sécurité.



Porter une protection oculaire et un masque.



Lire le manuel d'abord



Risque de blessure



Risque de tomber



Porter une protection oculaire.



Porter une protection auditive



Risque d'incendie



Risque d'explosion



Risque de choc



Présence possible de composants chauds



Présence possible de vapeurs



Interdiction de fumer

Table des Matières

Directives de sécurité.	F-20	Fonctionnement	F-28
Symboles de sécurité.	F-20	Lubrification.	F-28
Information importante sur la sécurité.	F-20	Déclenchement de l'outil.	F-28
Déballage	F-23	Ajuster la profondeur des attaches	F-28
Glossaire	F-23	Crochet utilitaire	F-28
Apprendre à connaître votre cloueuse d'encadrement sans fil	F-24	Entretien	F-29
Montage	F-25	Dégager un blocage	F-29
Charger la batterie.	F-25	Réparation de l'outil et pièces de rechange.	F-29
Préparation de la pile à combustible.	F-25	Méthode d'assemblage des joints d'étanchéité et des pièces mobiles	F-29
Préparation de l'outil.	F-26	Filtre d'air.	F-29
Pré-opération	F-26	Entreposage	F-29
Insérer la batterie.	F-26	Service Technique.	F-29
Insérer la pile à combustible.	F-26	Guide de dépannage	F-30
Vérification avant utilisation	F-27	Liste de pièces de rechange	F-34
Chargement / déchargement de l'outil.	F-27	Garantie	F-38

Information Importante sur la Sécurité

INSTRUCTIONS PORTANT SUR UN RISQUE D'INCENDIE, UN CHOC ÉLECTRIQUE OU DES BLESSURES AUX PERSONNES

Ce manuel contient des informations concernant la sécurité, le fonctionnement et l'entretien. Si vous avez des questions, appeler le 1-800-543-6400 pour le service à la clientèle.

▲ AVERTISSEMENT *En utilisant les outils, il faut suivre les précautions de base, y compris ce qui suit :*

PROPOSITION 65 DE CALIFORNIE

▲ AVERTISSEMENT *Ce produit ou son cordon peuvent contenir des produits chimiques qui, de l'avis de l'État de Californie, causent le cancer et des anomalies congénitales ou autres problèmes de reproduction. Lavez-vous les mains après la manipulation.*

▲ AVERTISSEMENT *Vous pouvez créer de la poussière en coupant, ponçant, perçant ou meulant les matériaux tels que le bois, la peinture, le métal, le béton, le ciment ou autre maçonnerie. Cette poussière contient souvent des produits chimiques reconnus pour causer le cancer, les déformations congénitales.*



GÉNÉRALITÉ :

- Pour réduire les risques de chocs électriques, d'incendie ou de blessures aux personnes, lire toutes les instructions avant d'utiliser l'outil. Ne pas suivre les avertissements, les dangers et les mises en garde pourrait causer la MORT ou de GRAVES BLESSURES.
- Se familiariser avec ce produit, ses commandes et son utilisation. Suivez toutes les instructions. Contacter votre représentant Campbell Hausfeld si vous avez des questions.
- Seules les personnes familières avec ces règles d'utilisation sans danger devraient utiliser cette unité.



▲ AVERTISSEMENT *Ne pas utiliser la cloueuse ni permettre qu'une autre personne l'utilise si les avertissements ou les étiquettes d'avertissement situés sur le chargeur et corps de la cloueuse ne sont pas lisibles.*

▲ AVERTISSEMENT *Toujours prendre pour acquis que la cloueuse contient des clous. Respecter l'outil comme accessoire de travail non pas un jouet. Donc aucun jeu brutal. Toujours garder les autres personnes à une distance de sécurité de l'aire de travail en cas de décharge accidentelle des clous. Ne pas pointer l'outil vers vous ou vers quelqu'un d'autre qu'il y ait ou non des attaches dans la cloueuse. Le déclenchement accidentel de la cloueuse pourrait causer la mort ou de graves blessures.*

▲ ATTENTION *Ne pas apporter de modifications à l'outil sans d'abord obtenir une approbation écrite de Campbell Hausfeld. N'utilisez pas une cloueuse si les écrans ou protecteurs ont été enlevés ou altérés. Ne pas utiliser la cloueuse comme un marteau. Cela peut entraîner des blessures ou endommager l'appareil.*

Information Importante sur la Sécurité (Suite)

AIRE DE TRAVAIL

- Garder l'aire de travail propre et bien éclairée. Les établis encombrés et les coins sombres augmentent les risques de chocs électriques, d'incendie et de blessures aux personnes.
- Ne pas faire fonctionner l'outil dans une atmosphère explosive comme en présence de liquides, gaz ou poussières inflammables. L'outil peut produire des étincelles menant à une inflammation de poussières ou de fumées.
- Garder les spectateurs, les enfants et les visiteurs loin en utilisant l'outil. Les distractions peuvent faire perdre le contrôle de l'outil.



SÉCURITÉ PERSONNELLE

- Rester vigilant. Il faut regarder ce que vous faites et utiliser son sens commun en faisant fonctionner un outil. Ne pas faire fonctionner l'appareil si vous êtes fatigué ou sous l'influence de drogues, d'alcool ou de médicaments. Un moment d'inattention en faisant fonctionner l'outil augmente le risque de blessures.
- Il faut s'habiller correctement. Ne pas porter de bijoux ou de vêtements amples. Attacher les cheveux longs. Garder les cheveux, les vêtements et les gants loin des pièces mobiles. Les vêtements amples, les bijoux ou les cheveux longs augmentent le risque de blessures si quelque chose se prend dans les pièces mobiles.
- Ne pas trop se pencher. Garder bon pied et bon équilibre en tout temps. Ceci permet d'avoir un meilleur contrôle de l'outil dans les situations imprévues.
- Utiliser l'équipement de sécurité. Il faut utiliser un masque antipoussières, des souliers de sécurité antidérapants et un casque de protection appropriés pour les conditions en cours.



⚠ AVERTISSEMENT

S'assurer que l'outil est utilisé seulement lorsque l'opérateur et tout autre personnel dans l'aire de travail portent un équipement de protection oculaire ANSI Z87 et, s'il y a lieu, d'autre équipement de protection approprié tel que de l'équipement de protection pour la tête, les oreilles et les pieds. Il pourrait y avoir de graves lésions oculaires ou perte auditive.

- Toujours porter une protection auditive en utilisant l'outil. Toute exposition prolongée à des bruits de forte intensité pourrait provoquer une perte auditive.
- Ne pas attacher l'outil sur vous.
- Toujours assumer que l'outil contient des attaches. Ne pas pointer l'outil vers soi ou vers quelqu'un d'autre qu'il y ait des attaches ou non.

⚠ AVERTISSEMENT

Ne pas échapper ni jeter l'outil. Le fait de faire tomber ou de jeter l'outil risque de causer des dommages qui rendent l'outil inutilisable ou dangereux. Si l'outil est tombé ou a été jeté, l'examiner soigneusement afin de déterminer s'il est coudé, fendu ou si certaines pièces détachées sont endommagées. ARRÊTER et réparer l'outil avant utilisation sous peine de blessures graves.

⚠ ATTENTION

Éviter d'utiliser la cloueuse pour une période de temps prolongée. Cesser d'utiliser la cloueuse si l'on ressent des douleurs dans les mains ou dans les bras.

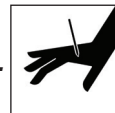
⚠ ATTENTION

Tenir l'outil par des surfaces de prise isolée en effectuant le travail lorsque l'outil ou l'attache pourrait entrer en contact avec un câblage caché. Un contact avec un fil « sous tension » rendra les pièces de métal exposées de l'outil « sous tension » et produira un choc pour l'opérateur.



⚠ AVERTISSEMENT

Ne jamais placer les mains ou toute autre partie du corps dans la section de décharge des clous de la cloueuse. L'outil pourrait décharger une attache menant à la mort ou à de graves blessures.



- Éloigner le visage, les mains et les pieds de la zone de déclenchement de l'outil en cours d'utilisation. Ne jamais approcher le visage, les mains et les pieds à une distance inférieure à 20,32 cm (8 po) de la zone de déclenchement de l'outil. Des blessures graves peuvent survenir si une attache est déviée par la pièce de travail et revient vers l'outil.

⚠ AVERTISSEMENT

Certaines pièces deviennent chaudes en cours d'utilisation. NE PAS toucher à mains nues. NE PAS toucher l'orifice d'échappement de l'outil. L'outil produit un échappement chaud pouvant contenir des gaz inflammables. NE PAS toucher la pointe de contact (PC) et la buse sans retirer la batterie et la pile à combustible; laisser refroidir. La Pointe de contact (PC) et la buse deviendront chaudes après une utilisation rapide ou prolongée.



SÉCURITÉ ÉLECTRIQUE

⚠ AVERTISSEMENT

Remplacer les piles seulement avec des piles de même taille. Utiliser la mauvaise taille de pile peut créer un risque d'incendie ou de blessure.



- Ne jamais démonter la batterie.
- NE PAS insérer d'objets dans les contacts de la batterie ou les événements du chargeur de batterie. Il pourrait en résulter une décharge électrique ou des dommages au niveau de la batterie.

⚠ AVERTISSEMENT

La partie avant de l'outil peut devenir conductrice si l'outil entre en contact avec des fils conducteurs se trouvant dans le mur. POUR ÉVITER TOUTE DÉCHARGE ÉLECTRIQUE ACCIDENTELLE, TOUJOURS TENIR L'OUTIL PAR LA POIGNÉE À PRISE SOUPLE. Inspecter l'espace de travail pour tout fil conducteur AVANT de commencer à utiliser l'outil.



UTILISATION ET ENTRETIEN DE L'OUTIL

⚠ DANGER

Ne pas modifier ou altérer la pointe de contact (PC). Ne pas attacher ou mettre de ruban sur la PC ou sur la gâchette en position enfoncée. Ceci pourrait mener à des blessures graves ou à la mort.

⚠ AVERTISSEMENT

Toujours vérifier que la pointe de contact (PC) fonctionne correctement. Un clou pourrait être entraîné accidentellement si la PC ne fonctionne pas correctement. Des blessures graves pourraient en résulter.

⚠ DANGER

Ne toucher à la gâchette qu'au moment de poser des clous. Ne jamais actionner la gâchette durant le transport ou durant l'installation de la batterie ou de la pile à combustible. L'éjection accidentelle d'un clou peut causer des blessures graves ou mortelles.

- Ne pas forcer l'outil. Utiliser le bon outil pour l'application. Le bon outil effectuera le meilleur travail sécuritaire au rythme pour lequel il a été conçu.

⚠ AVERTISSEMENT

Déconnecter la batterie et la pile à combustible de l'outil avant d'effectuer un réglage, l'entretien, un déblocage, ou avant de quitter l'aire de travail ou de procéder au chargement ou au déchargement de l'outil. Les mesures de précaution de ce type réduisent le risque de blessures.

Information Importante sur la Sécurité (Suite)

- b. Ranger l'outil lorsqu'il n'est pas utilisé hors de portée des enfants et autres personnes non formées. Un outil est dangereux dans les mains d'utilisateurs non formés.
- c. Il faut entretenir l'outil avec soin. Un outil bien entretenu réduit le risque de problèmes et est plus facile à contrôler.
- d. Toujours travailler dans un endroit bien ventilé. Porter un masque anti-poussières homologué OSHA.
- e. Utiliser l'outil à une plage de température sûre et adéquate. L'environnement de fonctionnement de cet outil se situe entre 0 °C (32 °F) et 40 °C (104 °F). L'outil peut ne pas fonctionner correctement à des températures inférieures ou supérieures à la plage de température indiquée.



AVERTISSEMENT Ne pas enfoncer de clou sur d'autres clous. Le clou pourrait dévier et provoquer la mort ou de graves piqûres.

AVIS Ne pas exposer l'outil à une chaleur extrême.

- f. Maintenir tous les types de vis, boulons et couvercles solidement fixés. Vérifier l'outil régulièrement pour toute vis ou tout boulon desserré. S'assurer que les couvercles ne se déplacent pas.
- g. Ne pas enfoncer les attaches dans des planches minces ou près des coins/bords de la pièce de travail. Les attaches peuvent transpercer accidentellement et causer des dommages. Vérifier l'ajustement de profondeur avant d'utiliser l'outil.
- h. Ne pas démonter l'outil.

ATTENTION Ne pas apporter de modifications à l'outil sans d'abord obtenir une

approbation écrite de Campbell Hausfeld. Ne pas modifier ou altérer la cloueuse ou les pièces de la cloueuse. Ne pas utiliser la cloueuse si des écrans ou des protecteurs ont été retirés ou modifiés. Ne pas utiliser la cloueuse comme marteau. Sinon il pourrait y avoir des blessures personnelles ou des dommages à l'outil.

DANGER Ne jamais utiliser d'essence ou d'autres liquides inflammables pour nettoyer la cloueuse. Ne jamais utiliser la cloueuse en présence de liquides ou gaz inflammables. Les vapeurs pourraient créer une étincelle et une explosion qui mènerait à la mort ou à de graves blessures.



SÉCURITÉ DE LA BATTERIE / PILE À COMBUSTIBLE

DANGER La pile à combustible de cet outil est un générateur d'aérosol inflammable et combustible. Le non-respect de ces instructions relatives à l'utilisation et/ou aux avertissements de sécurité peut entraîner un incendie ou une explosion. Éloigner la cloueuse, la(les) pile(s) à combustible et la batterie d'une exposition continue à la lumière solaire directe et des températures dépassant 49 °C (120 °F). La pile à combustible et la batterie pourraient exploser.



DANGER Ne pas fumer en utilisant cet outil. La pile à combustible aérosol et l'échappement de l'outil sont inflammables et prendront feu s'ils sont exposés à une flamme ou à des substances combustibles. Le fait de fumer durant ou suite à l'utilisation de cet outil peut présenter un danger.



DANGER Ne pas incinérer ou remplir la pile à combustible ou la batterie de cet outil. Ne pas incinérer la pile à combustible, même lorsqu'elle est entièrement déchargée. Suivre les instructions ainsi que la réglementation locale pour une élimination adéquate de la pile à combustible et de la batterie.

REMARQUE : La température de pile augmente pendant et un peu après l'utilisation.

Durée de vie de la batterie - la batterie incluse peut être faible ou entièrement déchargée selon le temps qui s'est écoulé entre sa fabrication et l'achat. Charger la batterie. Si elle ne charge pas, veuillez appeler Campbell Hausfeld au 1-800-543-6400 pour assistance. NE PAS RETOURNER L'APPAREIL AU MAGASIN.

Sortir la pile à combustible et la batterie de l'outil pour les raisons suivantes :

- ◆ Lors d'un entretien ou d'une inspection
- ◆ Pour dégager un blocage
- ◆ Lorsque l'appareil n'est pas utilisé
- ◆ Lorsque l'utilisateur quitte l'aire de travail
- ◆ Pour déplacer ou transporter l'outil à un autre endroit / sur un autre site de travail
- ◆ Lorsque l'outil est sans surveillance

ENTREPOSAGE / FIN D'UTILISATION

AVERTISSEMENT Lorsque le bloc-batteries n'est pas utilisé, l'éloigner de tous les objets métalliques comme les trombones, les pièces de monnaie, clés, clous, vis ou autres petits objets métalliques capables d'établir une connexion d'une borne à l'autre. La mise en court-circuit des bornes de batterie peut provoquer des étincelles, des brûlures ou un incendie.

- a. Retirer la batterie lors de l'entreposage de l'outil pendant une longue période de temps.
- b. Ne pas ranger dans des endroits où la température pourrait atteindre ou dépasser 49 °C (120 °F), comme une remise à outils métallique ou une voiture en été. Ceci peut mener à une détérioration de la batterie.
- c. Quand ils ne sont utilisés, l'outil, la pile à combustible et la batterie doivent être entreposés dans un endroit frais et sec. Retirer la batterie et la pile à combustible et les ranger dans l'étui.

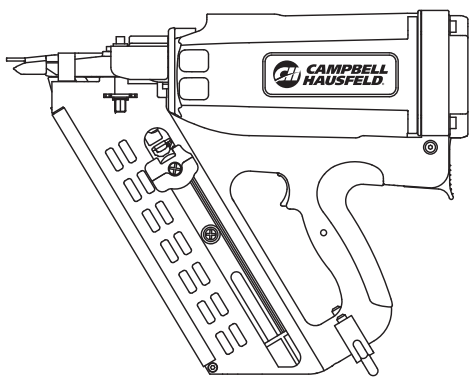
SERVICE

- a. Tout le travail d'entretien et de réparation doit être effectué seulement par un personnel de réparation qualifié.
- b. En réparant ou faisant l'entretien d'un outil, utiliser seulement des pièces de rechange identiques. Utiliser seulement des pièces autorisées.

ATTENTION Débrancher la pile à combustible et la batterie et relâcher la tension du poussoir avant de procéder au déblocage. Dans le cas contraire, des blessures et/ou des dommages à l'outil pourraient se produire.

Les symboles **DANGER**, **AVERTISSEMENT**, **ATTENTION** ET **AVIS** ainsi que les instructions de ce manuel ne peuvent pas couvrir toutes les conditions et situations qui pourraient se produire. L'opérateur doit comprendre que le bon sens et des précautions sont des facteurs qui ne peuvent pas être inclus dans ces produits, mais doivent être fournis par l'opérateur.

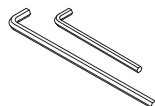
Déballage



Cloueuse d'encadrement



ANSI Z87 Protection Oculaire



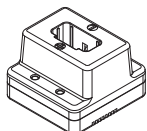
Clé Allen



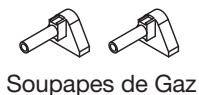
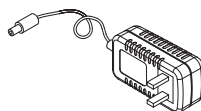
Huile



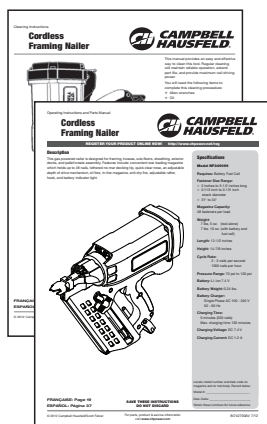
Batterie



Base et Adaptateur du Chargeur de Batterie



Soupapes de Gaz

Instructions d'Utilisation
et
Instructions de Nettoyage

Étui

Dès que l'appareil est déballé, l'inspecter attentivement pour tout signe de dommages en transit. Vérifier s'il y a des pièces desserrées, manquantes ou endommagées. S'assurer de resserrer tous les raccords, boulons, etc. avant de le mettre en service. Vérifier pour s'assurer que tous les accessoires fournis sont inclus avec l'appareil. Pour toutes questions, pièces endommagées ou manquantes, appeler le 1-800-543-6400 pour le service à la clientèle.

CONTENU

- ◆ Cloueuse d'Encadrement
- ◆ Batterie
- ◆ Base et Adaptateur du Chargeur de Batterie
- ◆ Clé Allen
- ◆ Instructions d'Utilisation
- ◆ Instructions de Nettoyage
- ◆ ANSI Z87 Protection Oculaire
- ◆ Huile
- ◆ Deux (2) soupapes de gaz de rechange
- ◆ Étui

AUTRES ARTICLES NON INCLUS

- ◆ Piles à combustible
- ◆ Attaches
- ◆ Petit outil pour débloquer
- ◆ Protection auditive et autre équipement de protection personnelle, si nécessaire

Glossaire

Familiarisez-vous avec ces termes avant d'utiliser l'appareil.

ACTIVER (OUTIL) — Provoquer le déplacement du(des) composant(s) de l'outil pour enfoncer l'attache.

SYSTÈME D'ACTIVATION — L'utilisation d'une gâchette, pointe de contact et/ou autre contrôle d'utilisation, séparément ou en combinaison ou séquence, pour activer l'outil.

ARRIVÉE D'AIR — L'ouverture de branchement d'alimentation d'air comprimé, normalement par un raccord fileté.

ATTACHES — Cette cloueuse utilise des attaches de 51 à 88,9 mm (2 à 3 1/2 po) de longueur, de .028 à 0,33 cm (0,113 à 0,131 po) de diamètre de tige et de 30° à 34°.

CHARGEUR — La partie de la cloueuse qui contient les attaches.

PILE À COMBUSTIBLE — Il s'agit d'un gaz comprimé aérosol utilisé pour activer le système de distribution d'attaches de l'outil.

BATTERIE — C'est la composante électrique de l'outil qui active le système d'allumage de la cloueuse, le ventilateur et le voyant indicateur DEL.

CHARGEUR DE BATTERIE — Il fournit une charge de courant à la batterie permettant l'utilisation de l'outil.

Apprendre à Connaître Votre Cloueuse d'Encadrement sans Fil

ANTI-DRY FIRE

This tool is equipped with an Anti-Dry Fire feature. This prevents the Work Contact Element (WCE) from being pushed in when only a few nails remain. Simply load new nail clip behind remaining nails to continue shooting.

VOYANT INDICATEUR DE BATTERIE

L'outil est doté d'un voyant DEL qui indique l'état de fonctionnement de la batterie de l'outil. La DEL possède les fonctions suivantes :

Voyant VERT clignotant : Puissance restante utilisable.

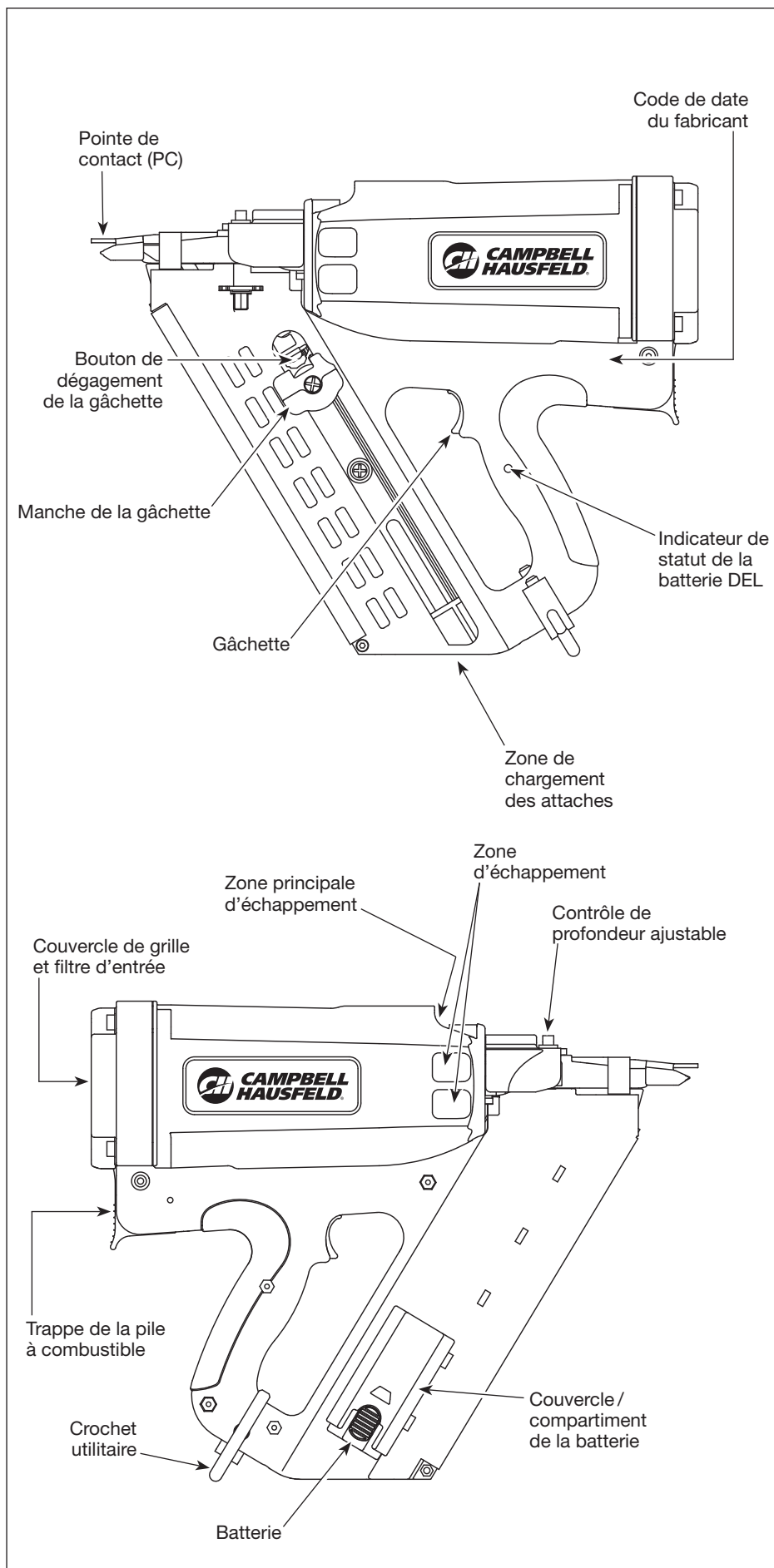
Voyant VERT continu : Reste allumé pendant l'utilisation de l'outil.

Voyant ROUGE clignotant : Puissance restante insuffisante ; charger la batterie.

Voyant ROUGE clignotant rapidement : NE PAS faire fonctionner l'outil – dysfonctionnement possible; voir le chapitre Dépannage.

CONTRÔLE DE PROFONDEUR AJUSTABLE

Ceci permet à l'outil d'ajuster la profondeur à laquelle l'attache sera insérée dans la pièce de travail. Selon certaines applications, le contrôle de la profondeur devra être ajusté pour que l'attache se retrouve au niveau ou au-dessus de la surface de travail.



Montage

Lire toutes les instructions relatives à l'installation de l'outil AVANT de l'utiliser.

CHARGER LA BATTERIE

Avant d'utiliser l'outil, assurez-vous que la batterie est entièrement chargée.

⚠ ATTENTION Vous devez charger la batterie avant d'utiliser l'outil. N'utiliser que la batterie conçue pour cet outil. Ne pas utiliser ou essayer d'utiliser d'autres types de batteries avec cet outil.

Installer le chargeur et charger la batterie entièrement avant d'utiliser l'outil pour la première fois.

Avant de brancher le chargeur dans la prise de courant :

- ◆ Assurez-vous que la tension à la base du chargeur et au niveau de l'adaptateur est compatible avec la prise de courant.
- ◆ Assurez-vous que le cordon d'alimentation du système du chargeur n'est pas endommagé

⚠ AVERTISSEMENT Ne pas charger la batterie à une tension supérieure à celle figurant sur le chargeur. Ceci pourrait endommager la batterie ou le chargeur.

Pour charger la batterie, suivre les étapes suivantes :

1. Placer la batterie sur le chargeur (voir la figure 1). S'assurer que la batterie est bien installée dans le chargeur.
2. Brancher l'adaptateur dans la prise de courant.
3. Insérer le cordon d'alimentation de l'adaptateur dans la base du chargeur (voir la figure 2).
4. Le chargement commence dès que le chargeur et l'adaptateur sont branchés (voir la figure 3). Le voyant DEL vert devient continu pour indiquer que le chargement a commencé. Si le voyant DEL ne s'allume pas, retirer la batterie avant de l'insérer de nouveau sur la base du chargeur. La batterie est entièrement chargée quand le voyant DEL vert sur la base du chargeur clignote. Lorsque la batterie est entièrement chargée, la retirer immédiatement du chargeur. Pour éviter d'endommager la batterie, NE PAS la laisser en charge continue.
5. Le voyant DEL rouge s'allume en cas de problème.

REMARQUE : Le temps de charge de la batterie peut varier selon la température de l'emplacement où le chargeur est utilisé.

6. Une fois la batterie chargée, débrancher l'adaptateur du chargeur de batterie de la prise de courant.

⚠ ATTENTION Ne pas retirer l'adaptateur de la prise de courant en tirant sur le cordon de l'adaptateur. Ceci pourrait faire casser le cordon et risquerait de provoquer une décharge électrique ou des dommages matériels. Si le cordon est arraché et endommagé, NE PAS l'utiliser pour charger. Des fils dénudés peuvent provoquer une décharge électrique.



7. Retirer la batterie du chargeur de batterie

Conseils pour prolonger la durée de vie de la batterie :

- ◆ Recharger la batterie avant qu'elle soit entièrement déchargée.
- ◆ Éviter de charger la batterie à des températures élevées.
- ◆ Après le chargement, attendre que la batterie ait refroidi à température ambiante avant de l'utiliser.

⚠ AVERTISSEMENT Ne pas plonger la batterie ou le chargeur dans l'eau pour quelque raison que ce soit. De graves décharges ou dommages à l'appareil pourraient en résulter.



PRÉPARATION DE LA PILE À COMBUSTIBLE

Voir les instructions du fabricant de la pile à combustible pour les directives, avertissements et informations relatifs à son élimination.

⚠ DANGER La pile à combustible est inflammable. Éloigner de toute flamme nue ou de toute source qui pourrait faire prendre feu à la pile à combustible.

⚠ ATTENTION Si la pile à combustible fuit au niveau de la valve doseuse ou si la pile à combustible elle-même fuit après avoir fixé la valve doseuse, remplacer cette dernière. Ne pas essayer de réutiliser la valve doseuse.

Pour fixer une valve doseuse à une pile à combustible, suivre les étapes suivantes :

1. Retirer le cache d'expédition/la valve doseuse de la pile à combustible, le cas échéant. Voir la figure 4.
2. Retirer la valve doseuse du bouchon protecteur, le cas échéant. Voir la figure 5.

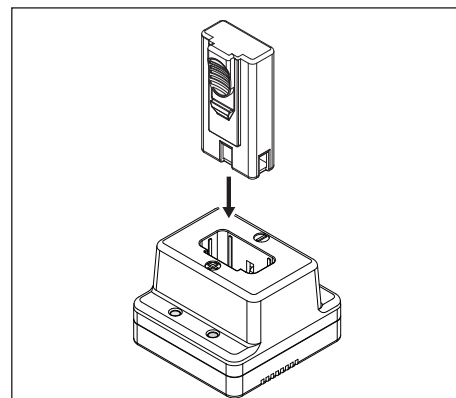


Figure 1

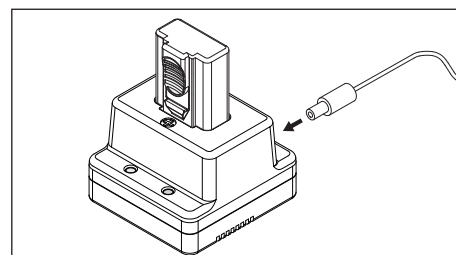


Figure 2

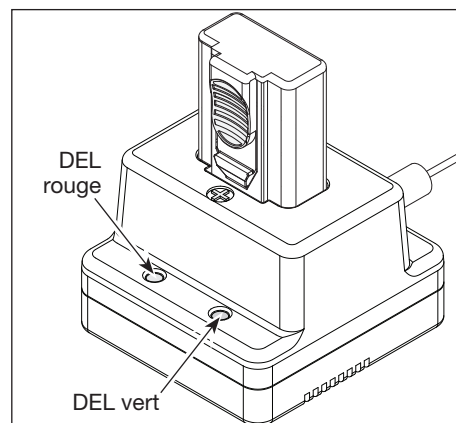


Figure 3

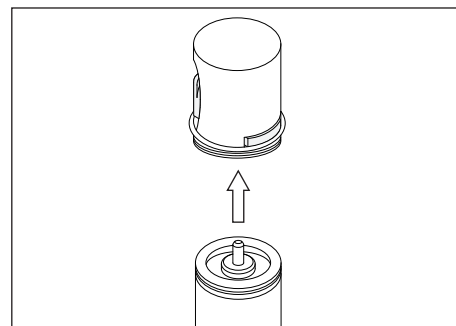


Figure 4

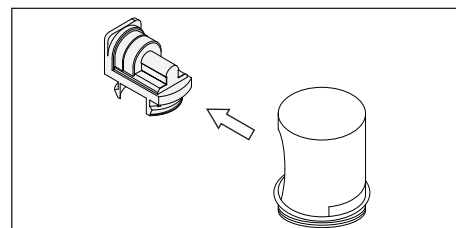


Figure 5

Montage (Suite)

3. Fixer la valve doseuse au-dessus de la pile à combustible en dirigeant la tige dans la direction opposée du visage et du corps (voir la figure 6).
4. Insérer l'arête avant de la valve doseuse dans la lèvre de la pile à combustible (voir la figure 6).
5. Pousser de nouveau fermement sur l'arrière de la valve doseuse. Un « dé clic » se fera entendre (voir la figure 7). Pousser de nouveau sur l'arrière de la valve doseuse. Un second « dé clic » se fera entendre (voir la figure 7). Le second « dé clic » indique que la valve doseuse est installée correctement sur la pile à combustible.
6. Dans un endroit bien ventilé, vérifier la pile à combustible en appuyant sur la pointe d'éjection de la valve contre une surface de test. **NE PAS** pointer ou diriger vers le visage ou vers d'autres personnes. Éloigner des étincelles et des flammes. Laisser sortir une petite quantité de combustible. Si le combustible ne sort pas, la valve doseuse n'est pas installée correctement ou la pile à combustible est endommagée ou vide. Jeter la pile à combustible de manière adéquate et recommencer la procédure avec une nouvelle pile à combustible.

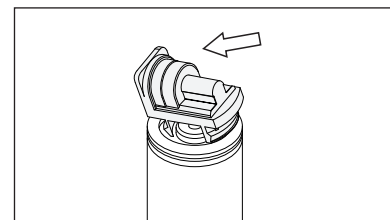


Figure 6

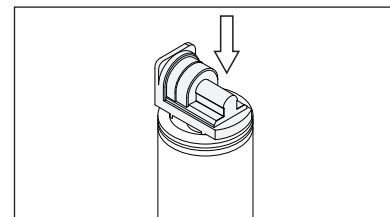


Figure 7

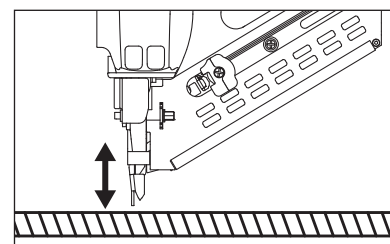


Figure 8

PRÉPARATION DE L'OUTIL

À ce stade, l'outil ne doit pas contenir d'attaches. La batterie et la pile à combustible ne doivent pas non plus être insérées.

⚠ AVERTISSEMENT

NE JAMAIS utiliser cet outil si la pointe de contact (PC) ne fonctionne pas correctement.

Tirer la manche de la gâchette vers le bas du chargeur jusqu'à ce qu'il se fixe en position. Vérifier la pointe PC en la plaçant contre une surface solide et en enfonçant la buse comme vous le feriez en usage normal. **NE PAS** tirer sur la gâchette. Retirer l'outil de la surface de travail. La pointe PC devrait se déplacer facilement de haut en bas lorsqu'on la place contre la surface de travail et qu'on la retire de cette dernière (voir la figure 8).

Si la pointe PC ne bouge pas facilement, **NE PAS** utiliser l'outil, appeler le service à la clientèle pour assistance (1 800-543-6400).

À l'aide d'une clé à six pans adéquate et d'un petit tournevis cruciforme, s'assurer que toutes les vis et/ou tous les boulons d'assemblage à tête creuse sont bien fixés. **NE PAS** trop serrer.

Pré-opération

INSÉRER LA BATTERIE

1. Installer la batterie, en commençant par les contacts, à l'intérieur de l'outil (voir la figure 9).
2. Pousser la batterie vers l'avant en position bloquée.
3. Pour retirer la batterie, pousser sur l'onglet de verrouillage puis glisser la batterie hors de l'outil.

REMARQUE : Si la batterie reste dans l'outil pendant une période de temps prolongée, elle se retrouvera entièrement déchargée. Vérifier le statut de charge de la batterie avant d'utiliser l'outil de nouveau.

REMARQUE : Des bornes de contact de la batterie corrodées ou sales peuvent empêcher l'outil de fonctionner correctement. Nettoyer les bornes de contact en utilisant de la toile d'émeri fine. Ne pas plonger la batterie dans l'eau et ne pas utiliser de solution nettoyante sur les bornes de contact.

INSÉRER LA PILE À COMBUSTIBLE

La valve doseuse doit déjà être fixée à la pile à combustible selon l'explication fournie au chapitre de préparation de la pile à combustible.

AVIS

Ne pas installer la pile à combustible sans que la valve doseuse ne soit fixée correctement. Ceci pourrait endommager la pile à combustible et/ou l'outil.

1. Tirer la trappe de la pile à combustible vers le haut et l'incliner vers l'extérieur pour l'ouvrir. La trappe de la pile à combustible bascule vers le manche de l'outil (voir la figure 10).
2. Insérer la pile à combustible dans l'outil par la base, en dirigeant la valve doseuse vers la soupape à essence rouge de l'outil (voir la figure 11).
3. Insérer la tige de la valve doseuse dans le petit orifice se trouvant sur la soupape à essence rouge. (Voir la figure 12.)
4. Fermer la trappe de la pile à combustible. Pousser vers le bas jusqu'à ce que la trappe émette un « dé clic ».

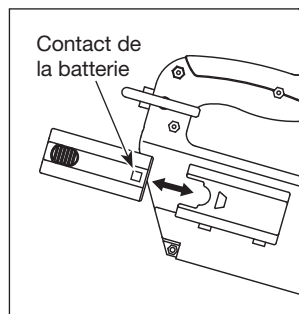


Figure 9

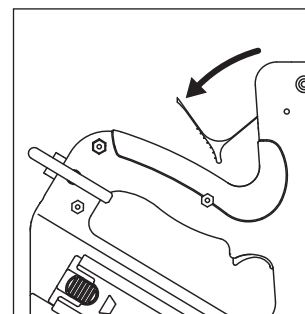


Figure 10

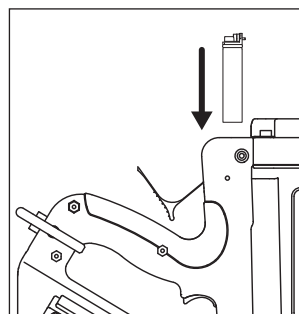


Figure 11

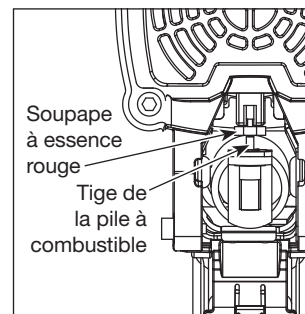


Figure 12

⚠ AVERTISSEMENT

Consulter les instructions de sécurité et les avertissements fournis par le fabricant de la pile à combustible. Ne PAS exposer la pile à combustible à des températures supérieures à la limite recommandée par le fabricant.

Pré-opération (Suite)

VÉRIFICATION AVANT UTILISATION

Avant de charger l'outil, vérifier la cloueuse pour s'assurer qu'elle fonctionne bien.

Tirer le manche de la gâchette jusqu'à l'extrémité du chargeur jusqu'à ce qu'il soit fixé en place.

1. Garder les doigts **HORS** de la gâchette. Vérifier la pointe PC en plaçant la buse de l'outil contre une surface solide et en enfonçant la buse comme vous le feriez en usage normal. L'outil **NE DOIT PAS** s'activer (voir la figure 13). À ce stade, l'outil devrait éjecter une petite quantité mesurée de combustible dans la chambre de combustion. Le ventilateur de l'outil devrait démarrer, dispersant tout échappement gazeux.
2. Retirer l'outil de la surface de travail. Tirer sur la gâchette et maintenir enfoncé pendant cinq secondes. L'outil **NE DOIT PAS** s'activer tandis que la gâchette **NE DOIT PAS** s'enfoncer complètement (voir la figure 14).
3. **RETIRER** le doigt de la gâchette. Vérifier la pointe PC en plaçant la buse de l'outil contre une surface solide et en enfonçant la buse comme vous le feriez en usage normal. Tirer sur la gâchette. L'outil **DOIT** s'activer (voir la figure 15).

Si l'outil effectue les trois étapes ci-dessus comme prévu, il est prêt à être chargé d'attaches.

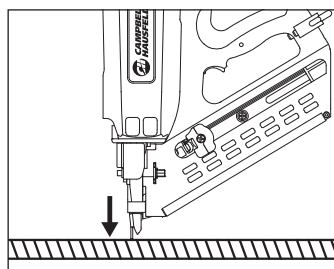


Figure 13

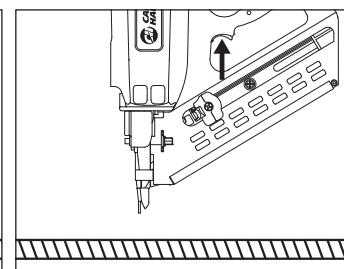


Figure 14

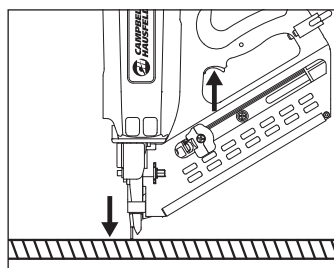


Figure 15

CHARGEMENT ET DÉCHARGEMENT

⚠ AVERTISSEMENT *Débrancher la batterie et la pile à combustible de l'outil avant de charger ou de décharger l'outil. Les mesures de précaution de ce type réduisent le risque de blessures.*

Charger l'outil

⚠ AVERTISSEMENT *Lors du chargement des attaches dans l'outil, NE PAS enfoncer la gâchette, NE PAS enfoncer la pointe de contact et conserver l'outil dans une direction sûre.*

Pour charger l'outil, suivre les étapes suivantes :

1. Tirer le poussoir à attaches jusqu'au fond du chargeur jusqu'à ce que le poussoir à attaches soit fixé en place (voir la figure 16).
2. Insérer une bande de clous à l'arrière du chargeur (voir la figure 17).
3. Pousser le bas le bouton du poussoir à attaches et diriger le poussoir à attaches vers le haut jusqu'à ce qu'il atteigne le bas de la pince de clous se trouvant dans le chargeur (voir la figure 18).

REMARQUE : NE PAS relâcher le bouton du poussoir à attaches pour ne pas le laisser rebondir vers la pince de clous chargée dans le chargeur. Ceci pourrait endommager la pince de clous et provoquer un blocage de l'outil.

L'outil est maintenant prêt à être utilisé. Voir le chapitre Fonctionnement de ce manuel pour les instructions d'utilisation de l'outil.

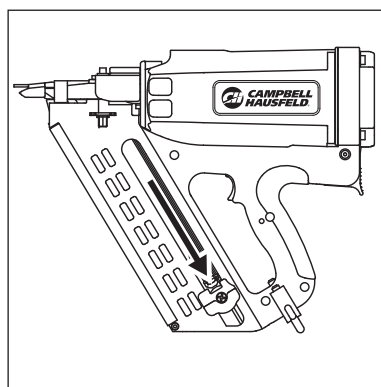


Figure 16

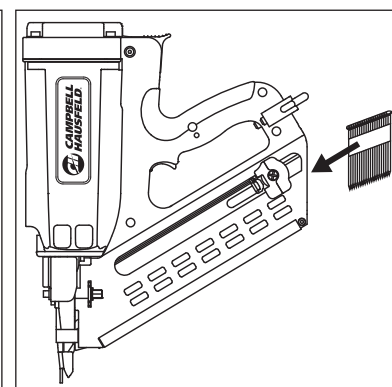


Figure 17

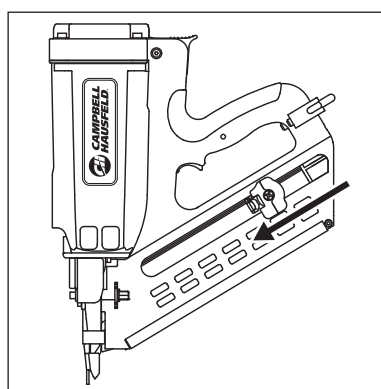


Figure 18

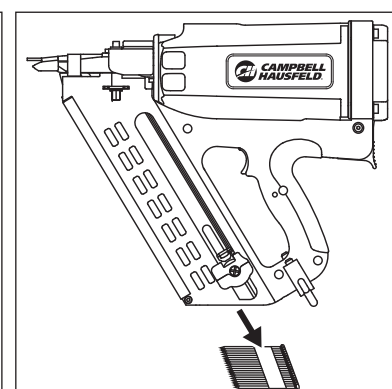


Figure 19

Déchargement de l'outil

1. Tirer le poussoir à attaches jusqu'au fond du chargeur jusqu'à ce que le poussoir à attaches soit fixé en place (voir la figure 16).
2. Tourner l'outil jusqu'à ce qu'il se trouve en position verticale. Tous les clous restants dans le chargeur glisseront par le bas du chargeur (voir la figure 19).

Fonctionnement

LUBRIFICATION

Cette cloueuse **NE** nécessite **PAS** de lubrification régulière pour un fonctionnement normal. La lubrification s'effectue durant les périodes d'entretien.

AVIS

La surface de travail pourrait être endommagée par une lubrification excessive.

DÉCLENCHEMENT DE L'OUTIL

Une fois la pile à combustible, la batterie et les attaches chargées, l'outil est maintenant prêt à être utilisé.

⚠ AVERTISSEMENT

NE JAMAIS utiliser cet outil si la pointe de contact (PC) ne fonctionne pas correctement.

1. Placer l'outil où les attaches doivent être enfoncées. **NE PAS** tirer sur la gâchette ni tenir l'outil en plaçant les doigts sur la gâchette avant d'être en position de déclenchement intégral (voir la figure 20).
2. Appuyer la pointe PC contre la surface de la pièce de travail jusqu'à ce qu'elle soit en position de déclenchement intégral (voir la figure 21).
3. Tirer brièvement sur la gâchette et relâcher. L'outil tourne et enfonce une attache dans la pièce de travail.
4. Soulever l'outil de la surface de la pièce de travail, la pointe PC retourne à sa position initiale. La gâchette doit être relâchée après avoir enfoncé chaque attache afin de permettre à l'outil de se réinitialiser; la pointe PC retourne à sa position initiale jusqu'à ce que la gâchette soit relâchée.

Répéter ce processus au prochain emplacement nécessitant une attache.

⚠ ATTENTION

Cet outil possède une caractéristique d'anti-décharge à sec qui ne lui permet pas de fonctionner quand l'approvisionnement en clous dans le chargeur a atteint un nombre insuffisant d'attaches. Le compte varie entre 5 à 8 attaches selon le type de calibre, de revêtement, de déformation de la tige, etc.

AVIS

NE PAS tenter de déclencher de force la pointe PC quand l'anti-décharge à sec est engagé. Des dommages à l'outil POURRAIENT survenir.

AJUSTER LA PROFONDEUR DES ATTACHES

⚠ AVERTISSEMENT

NE JAMAIS effectuer de réglages de l'outil lorsque des attaches sont présentes dans le chargeur. Retirer les attaches du chargeur pour prévenir la décharge accidentelle d'une attache. Retirer la pile à combustible et la batterie avant de procéder à des réglages.

1. Lorsque la pile à combustible, la batterie et les attaches sont retirées, desserrer la vis d'assemblage à tête creuse du contrôle de profondeur avec une clé à six pans de 4 mm (voir la figure 22).
2. Si les clous sont enfoncés trop profondément dans la surface de travail, déplacer la pointe de contact vers le bas (ou l'éloigner) du corps de l'outil (voir la figure 23).
3. Si les clous ne sont pas enfoncés assez profondément dans la surface de travail, déplacer la pointe de contact vers le haut (ou plus près) du corps de l'outil (voir la figure 24).
4. Lorsque les réglages sont effectués, resserrer la vis de contrôle de profondeur réglable. Recharger le chargeur de l'outil, insérer la pile à combustible et la batterie. Enfoncer une autre attache. Si la profondeur de l'attache est toujours incorrecte, répéter les étapes ci-dessus.

CROCHET UTILITAIRE

⚠ ATTENTION

En cas de chute de l'outil, un dysfonctionnement mécanique est possible. Il existe aussi un risque de blessures si l'outil déclenche une attache en tombant.

Utiliser le crochet situé à la base du manche de l'outil pour fixer l'outil à un support solide. Si un crochet est utilisé, le tenir à l'écart de l'outil en tirant. Si le crochet n'est pas utilisé, le maintenir fermé pour empêcher qu'il s'accroche sur le site de travail (voir la figure 25). Ne pas utiliser le crochet pour attacher l'outil sur vous.

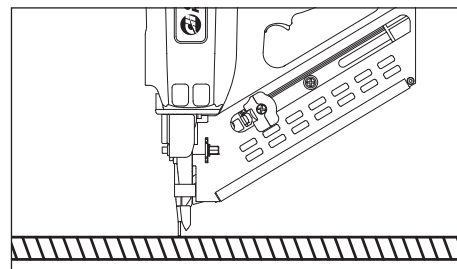


Figure 20

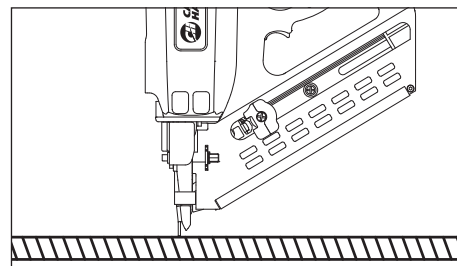


Figure 21

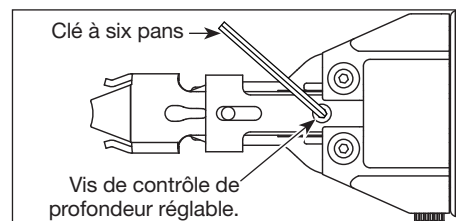


Figure 22

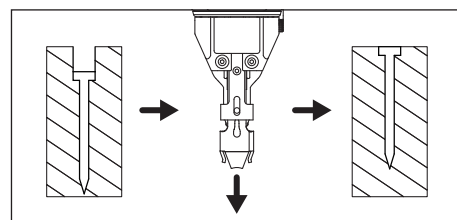


Figure 23

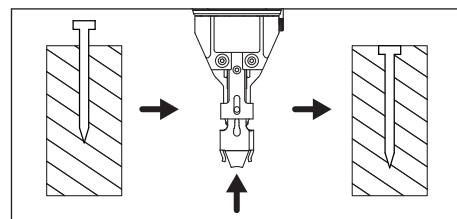


Figure 24

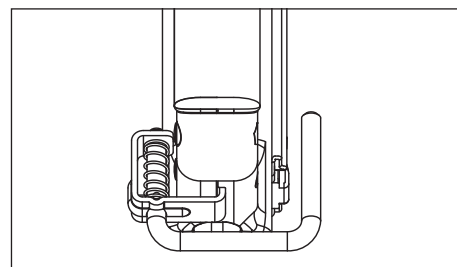


Figure 25

Entretien

DÉGAGER UN BLOCAGE

⚠ AVERTISSEMENT

TOUJOURS porter des lunettes de sécurité conforme à la norme ANSI Z87 lorsque vous utilisez l'outil ou effectuez des réglages ou réparations.

Si l'outil se bloque, suivez les étapes suivantes pour régler le problème :

1. Retirer la pile à combustible et la batterie de l'outil (voir la figure 26).
2. Tirer le poussoir à attaches jusqu'au fond du chargeur et retirer toutes les attaches restantes du chargeur (voir la figure 27).
3. Retirer le boulon d'assemblage à tête creuse avec une clé à six pans (voir la figure 28).
4. Tirer le chargeur loin de l'assemblage de tête (voir la figure 28). Retirer les attaches bloquées.
5. Remettre l'assemblage de tête et le chargeur dans leur positions initiale. Insérer et serrer les boulons d'assemblage à tête creuse.

RÉPARATION DE L'OUTIL ET PIÈCES DE RECHANGE

Seul un personnel qualité doit réparer l'outil et il doit utiliser des pièces de rechange et des accessoires authentiques de Campbell Hausfeld, ou des pièces et accessoires d'une performance équivalente.

⚠ AVERTISSEMENT

N'utiliser que des pièces de rechange Campbell Hausfeld. La performance de l'outil, sa sécurité et sa durabilité pourraient être réduites par l'utilisation de pièces non compatibles. Lors d'une commande de pièces de rechange, préciser les numéros de pièce.

MÉTHODE D'ASSEMBLAGE DES JOINTS D'ÉTANCHÉITÉ ET DES PIÈCES MOBILES

Les pièces internes doivent être nettoyées et lubrifiées pendant la réparation ou l'entretien de la cloueuse. Un lubrifiant compatible doit être utilisé sur tous les joints toriques. Chaque joint torique doit être recouvert de lubrifiant avant l'assemblage. Utiliser une petite quantité d'huile sur toutes les surfaces mobiles et les pivots. Après le remontage, quelques gouttes d'huile non-détergente 30W ou d'un type équivalent doivent être ajoutées une unique fois avant l'usage fonctionnel normal de l'appareil.

FILTRE D'AIR

Ouvrir la trappe de la pile à combustible. Retirer le couvercle de l'échappement d'air (grille) en pressant sur la grille et en la tournant légèrement vers le dessus de l'outil. Le filtre est maintenu en place par la grille; le filtre devrait se retirer facilement (voir la figure 29). Retirer toutes les grosses particules de la grille et nettoyer au savon doux et à l'eau. Vérifier et nettoyer le filtre régulièrement avant et après l'utilisation régulière. Nous recommandons de nettoyer le filtre tous les deux jours ainsi qu'avant et après que l'outil ait été entreposé pendant une longue période de temps.

ENTREPOSAGE

⚠ AVERTISSEMENT

Entreposer l'outil correctement en retirant la pile à combustible et la batterie. Retirer toutes les attaches de l'outil.

- ◆ Entreposer la cloueuse dans un endroit frais et sec. Ne pas entreposer dans un endroit chaud ou un endroit où la température risque d'augmenter et d'atteindre plus de 49 °C (120 °F).
- ◆ S'assurer de ranger l'outil hors de la portée des enfants; utiliser l'étui de rangement pour aider à sécuriser l'outil. Utiliser l'étui de rangement pour entreposer les composants de l'outil séparément.

SERVICE TECHNIQUE

Pour obtenir de l'information sur le fonctionnement ou la réparation de ce produit, appeler le 1-800-543-6400.

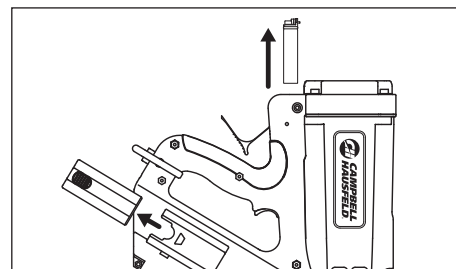


Figure 26

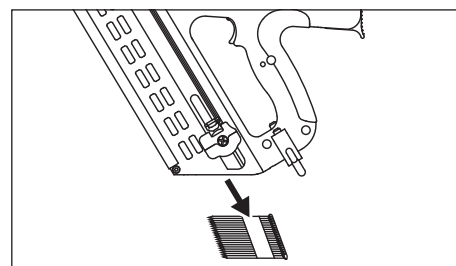


Figure 27

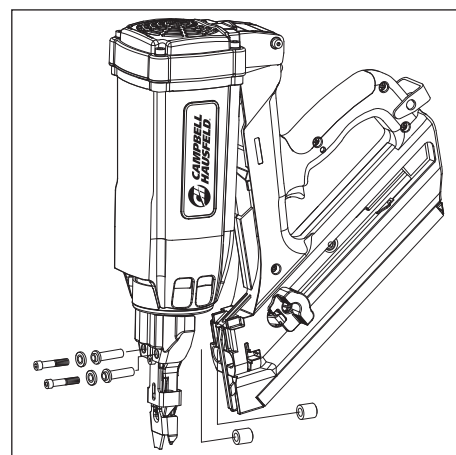


Figure 28

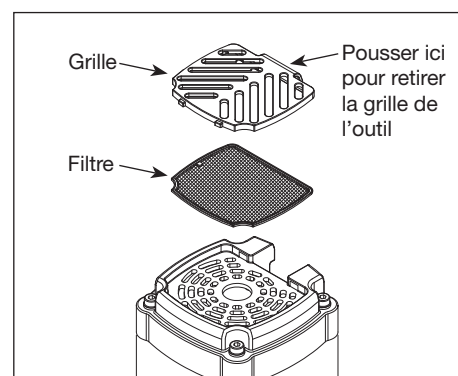


Figure 29

Guide de dépannage

⚠ AVERTISSEMENT

Cessez l'utilisation de la cloueuse immédiatement en cas des problèmes suivants, car il résulte un risque de blessures graves. Toutes réparations doivent être effectuées par un Technicien Qualifié ou par un Centre De Service Autorisé.

Problèmes de batterie et/ou de chargeur de batterie

SYMPTÔME	CAUSE(S) POSSIBLE(S)	ACTION CORRECTIVE
La batterie ne recharge pas lorsqu'on la place sur le chargeur de batterie.	<ol style="list-style-type: none"> 1. Chargeur défectueux ou qui ne fonctionne pas correctement 2. Les voyants DEL du chargeur de batterie ou de l'outil ne fonctionnent pas 3. La batterie est endommagée ou a atteint la fin de son cycle de vie 	<ol style="list-style-type: none"> 1. Remplacer le chargeur. Appeler le 1-800-543-6400 pour assistance. 2. Insérer la batterie dans l'outil et essayer de le faire fonctionner normalement. Si l'outil ne fonctionne pas, remplacer le chargeur. L'alimentation électrique ou la base de chargement n'est pas branchée. Appeler le 1 800-543-6400 pour assistance. 3. Remplacer le chargeur. Appeler le 1-800-543-6400 pour assistance.
Le ventilateur de l'outil fonctionne lentement, ne fonctionne pas et/ou le voyant DEL de l'outil se trouvant sur le manche clignote ou est rouge continu.	<ol style="list-style-type: none"> 1. La batterie n'est pas chargée 2. Les bornes de contact de la batterie sont sales ou obstruées 	<ol style="list-style-type: none"> 1. Recharger la batterie. 2. Nettoyer les bornes de contact en utilisant de la toile d'émeri fine.
Le chargeur devient chaud, émet des bruits importants ou produit de la fumée au cours du processus de recharge.	Chargeur endommagé	Retirer le chargeur de l'utilisation. Débrancher le chargeur. Remplacer le chargeur.

Problèmes de pile à combustible

SYMPTÔME	CAUSE(S) POSSIBLE(S)	ACTION CORRECTIVE
L'outil n'enfoncé pas d'attache, mais le ventilateur tourne et le voyant DEL se trouvant sur le manche de l'outil est vert.	<ol style="list-style-type: none"> 1. La pile à combustible est déchargée. 2. La pile à combustible est endommagée ou fuit 3. La valve doseuse a fait sauter la tête de la pile à combustible 4. Soupape d'essence endommagée 	<ol style="list-style-type: none"> 1. Remplacer la pile à combustible. 2. Remplacer la pile à combustible. 3. Permettre à l'outil et à la pile à combustible de refroidir. Réinstaller la valve doseuse sur la pile à combustible et réinstaller la pile à combustible dans l'outil. 4. Permettre à l'outil et à la pile à combustible de refroidir. Remettre la soupape d'essence en place.

Problèmes généraux

SYMPTÔME	CAUSE(S) POSSIBLE(S)	ACTION CORRECTIVE
La pointe de contact (PC) ne se déclenche pas ou ne se déclenche pas intégralement. Le ventilateur de l'outil ne fonctionne pas quand la pointe PC est déclenchée.	<ol style="list-style-type: none"> 1. La pointe PC est coudée ou endommagée 2. Le poussoir d'attache n'est pas installé à l'arrière des attaches chargées 3. Vis desserrées 4. Le chargeur est vide ou insuffisamment chargé 5. Problème de batterie 	<ol style="list-style-type: none"> 1. Vérifier s'il y a une obstruction ou si une attache est bloquée NE PAS faire fonctionner l'outil jusqu'à ce que la pointe PC fonctionne correctement. 2. Décharger le chargeur et recharger en suivant les instructions de chargement. 3. Vérifier les connexions et resserrer si nécessaire. 4. Charger les attaches. 5. Vérifier la couleur du voyant DEL de l'outil. Si le voyant DEL est rouge, recharger la batterie. Si le voyant DEL est vert, appeler le 1 800-543-6400 pour assistance.

Guide de dépannage

⚠ AVERTISSEMENT

Cessez l'utilisation de la cloueuse immédiatement en cas des problèmes suivants, car il résulte risque de blessures graves. Toutes réparations doivent être effectuées par un Technicien Qualifié ou par un Centre De

Service Autorisé.

Problèmes généraux (Suite)

SYMPTÔME	CAUSE(S) POSSIBLE(S)	ACTION CORRECTIVE
L'outil fonctionne, mais aucune attache ne s'enfonce.	<ol style="list-style-type: none"> 1. Blocage d'attache 2. Dysfonctionnement du poussoir d'attache 3. Le ressort du chargeur est faible ou endommagé 4. Mauvais type d'attaches chargé 5. La pointe PC est bloquée ou coincée 6. L'outil a sauté et/ou le mécanisme d'entraînement n'a pas réagi à cause d'une difficulté durant le fonctionnement 	<ol style="list-style-type: none"> 1. Dégager le blocage selon la description fournie au chapitre Entretien. 2. Décharger les attaches, vérifier le fonctionnement du poussoir d'attaches et/ou nettoyer le chargeur. 3. Remplacer le ressort du chargeur. Appeler le 1-800-543-6400 pour assistance. 4. Retirer les attaches et vérifier la compatibilité. N'utiliser que des attaches compatibles. 5. Vérifier le bon fonctionnement de la pointe PC. 6. Retirer les attaches, la batterie et la pile à combustible. Repousser manuellement le chargeur dans l'outil avec un long tournevis mince.
Blocage d'attaches l'entraînement d'attaches est coudé.	<ol style="list-style-type: none"> 1. Mauvais type d'attaches chargé 2. Lame d'entraînement usée ou endommagée 	<ol style="list-style-type: none"> 1. Retirer les attaches et vérifier la compatibilité. N'utiliser que des attaches compatibles. 2. Appeler le 1-800-543-6400 pour assistance et pour obtenir une pièce de rechange.
L'outil tourne faiblement, et fait preuve d'instabilité ou d'irrégularité entre chaque d'attache.	Soupape d'échappement et/ou silencieux sale	Nettoyer avec un nettoyant dégraissant (voir le manuel d'instructions de nettoyage). Réparer ou remplacer la valve déformée.
La lame d'entraînement de l'outil ne fonctionne pas facilement ou se replace en position de prédéclenchement.	<ol style="list-style-type: none"> 1. Lame d'entraînement sale ou débris dans le conduit 2. La lame d'entraînement est coudée 3. La soupape d'échappement est sale ou déformée à cause d'une utilisation trop intensive et de la chaleur 4. Le filtre est obstrué ou sale, l'outil surchauffe 5. Vis desserrées 	<ol style="list-style-type: none"> 1. Retirer la batterie et la pile à combustible, puis nettoyer le conduit de la lame d'entraînement et retirer les débris. 2. Ne pas forcer l'outil. Appeler le 1-800-543-6400 pour assistance. 3. Retirer les attaches, la batterie et la pile à combustible. Nettoyer et remplacer les pièces si elles sont sales ou déformées. 4. Retirer et nettoyer le filtre. 5. Vérifier les connexions et resserrer si nécessaire.
L'outil fonctionne bien mais l'attache ne s'enfonce pas entièrement dans la surface de travail.	<ol style="list-style-type: none"> 1. L'ajustement de la profondeur de l'attache n'est pas correctement réglé 2. La pile à combustible est faible 3. Fuite au niveau du système de carburant 	<ol style="list-style-type: none"> 1. Suivre les instructions du chapitre Fonctionnement pour ajuster la profondeur des attaches. 2. Vérifier la pile à combustible, la connexion de la valve doseuse et/ou remplacer par une nouvelle pile à combustible si nécessaire. 3. Déclencher la pointe PC contre la surface de travail et tenir en place pendant quelques secondes. Tirer sur la gâchette pour activer l'outil. L'attache devrait s'enfoncer dans la surface de travail. Si aucune attache ne s'enfonce, il peut s'agir d'une fuite au niveau du système de distribution de carburant. Cesser d'utiliser et appeler le 1-800-543-6400 pour assistance.

Guide de dépannage

▲ AVERTISSEMENT

Cessez l'utilisation de la cloueuse immédiatement en cas des problèmes suivants, car il résulte un risque de blessures graves. Toutes réparations doivent être effectuées par un Technicien Qualifié ou par un Centre De

Service Autorisé.

Problèmes généraux (Suite)

SYMPTÔME	CAUSE(S) POSSIBLE(S)	ACTION CORRECTIVE
Le fonctionnement de l'outil est irrégulier. Le voyant DEL de l'outil est vert.	1. La pile à combustible est faible	1. Vérifier la pile à combustible. Remplacer la pile à combustible si nécessaire.
	2. Dysfonctionnement des composants électriques	2. Appeler le 1-800-543-6400 pour assistance.
	3. Le filtre est obstrué ou sale, l'outil surchauffe	3. Retirer l'élément du filtre et nettoyer; inspecter l'échappement et retirer tout débris ou blocage. Permettre à l'outil de refroidir si l'échappement est plus chaud au toucher que lors de l'utilisation normale.
	4. L'outil est sale	4. Nettoyer l'outil.
	5. Le filtre est obstrué ou sale, l'outil surchauffe	5. Retirer et nettoyer le filtre.
	6. Vis desserrées	6. Vérifier les connexions et resserrer si nécessaire.
L'outil n'enfonce pas d'attache à chaque fois que l'on tire sur la gâchette.	1. Vérifier les attaches	1. Retirer les attaches et vérifier la compatibilité. N'utiliser que des attaches compatibles.
	2. Dysfonctionnement du poussoir d'attache	2. Décharger les attaches, vérifier le fonctionnement du poussoir d'attaches et/ou nettoyer le chargeur.
	3. Le ressort du chargeur est faible ou endommagé	3. Remplacer le ressort du chargeur. Appeler le 1-800-543-6400 pour assistance.
	4. Lame d'entraînement usée ou endommagée	4. Appeler le 1-800-543-6400 pour assistance et pour obtenir une pièce de rechange.
	5. S'assurer que la lame d'entraînement de l'outil se replace en position de prédéclenchement	5. Si la lame d'entraînement n'est pas en position de prédéclenchement, c'est que la gâchette n'a pas été tirée intégralement. Enfoncer la pointe PC contre une pièce de travail test et tirer sur la gâchette. Ceci devrait faire revenir la lame d'entraînement en position de prédéclenchement. Si ceci ne fonctionne pas, retirer les attaches, la batterie et la pile à combustible. Appeler le 1-800-543-6400 pour assistance.
	6. Lame d'entraînement sale ou débris dans le conduit	6. Retirer la batterie et la pile à combustible, puis nettoyer le conduit de la lame d'entraînement et retirer les débris.
	7. Le filtre est obstrué ou sale, l'outil surchauffe	7. Retirer et nettoyer le filtre.
	8. Vis desserrées	8. Vérifier les connexions et resserrer si nécessaire.
L'outil n'enfonce pas d'attache. Le ventilateur s'allume, la pile à combustible contient bien du combustible et la pointe PC se déplace librement.	1. Bougie sale ou usée	1. Retirer et nettoyer la bougie. Réinsérer la bougie et essayer de faire fonctionner l'appareil. Si ceci ne fonctionne toujours pas, remplacer la bougie.
	2. Vérifier le câblage pour toute fiche brisée ou déconnectée	2. Remplacer la prise et/ou le faisceau de fils et/ou le module e (dans cet ordre).

Illustration des Pièces de Rechange

Pour pièces de rechange ou assistance technique, appeler 1-800-543-6400

S'il vous plaît fournir l'information suivante :

- Numéro de modèle
- Code imprimé sur l'outil
- Description de la pièce et son numéro

Adresser toute correspondance à :

Campbell Hausfeld
 Attn: Customer Service
 100 Production Drive
 Harrison, OH 45030 U.S.A.

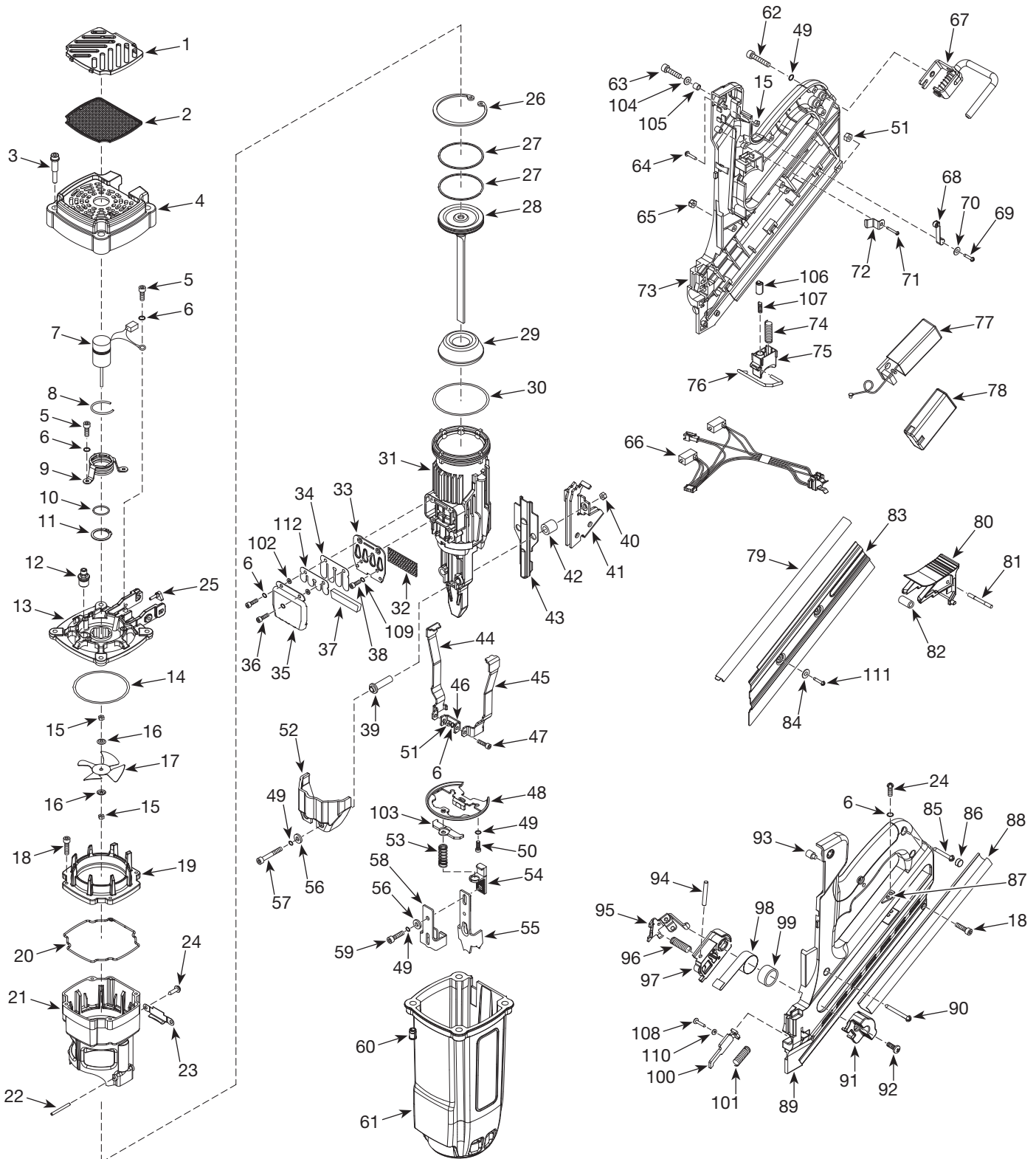


Figure 30

Liste de Pièces de Rechange

No. de Réf.	Description	Numéro de Pièce	Qté.	No. de Réf.	Description	Numéro de Pièce	Qté.
1	Grille	▲	1	41	Guide d'entraînement arrière	▶	1
2	Filtre	▲ ■	1	42	Douille arrière	▶	2
3	Vis d'assemblage à tête creuse	▲	4	43	Guide d'entraînement avant	▶	1
4	Couvercle supérieur	▲	1	44	Support droit de la pointe PC	✱	1
5	Vis de borne de terre, M4 x 10	●	4	45	Support gauche de la pointe PC	✱	1
6	Rondelle à ressort	● ✱ ✱ D	10	46	Raccord de support de la pointe PC	✱	1
7	Moteur	●	1	47	Vis, 34 x 8	✱	2
8	Tringle	●	1	48	Plaque de montage de cylindre	✱	1
9	Fixation de montage du moteur	●	1	49	Rondelle à ressort	▶ ✱ D	7
10	Joint torique, 22 x 2	●	1	50	Vis, 10 - 24 x 14	✱	2
11	Bague de retenue	●	1	51	Écrou, M4	✱ D	3
12	Bougie	NF000100AV ■	1	52	Couvercle de ressort de la pointe PC	▶	1
13	Tête du cylindre	NF000200AV	1	53	Couvercle de ressort de la pointe PC	✱	1
14	Joint torique, 66.3 X 3.5	■	1	54	Plaque de serrage CPA	✱	1
15	Écrou de l'arbre du moteur	●	3	55	Pointe de contacte (PC)	✱	1
16	Rondelle	●	2	56	Rondelle	▶ ✱	3
17	Pale de ventilateur	●	1	57	Vis à douille CPA, M5 x 55	▶	2
18	Vis, M4 x 16	◆ D	2	58	Support de réglage CPA	✱	1
19	Anneau de la chambre de combustion	◆	1	59	Vis, M5 x 12	✱	1
20	Joint d'étanchéité de la chambre de combustion	■	1	60	Garniture filetée	△	4
21	Chambre de combustion	◆	1	61	Boîtier de tête	△	1
22	Goupille	◆	1	62	Vis, M5 x 16	D	1
23	Plaque de la chambre de combustion	■ ◆	1	63	Vis	D	2
24	Vis, M4 x 6	■ ◆ D	4	64	Vis	✱ D	1
25	Buse	■ ✱	1	65	Cache de vis de caoutchouc (côté droit), M4	D	4
26	Bague de retenue	■ ▼ ★	1	66	Faisceau de fils et assemblage de l'interrupteur	○	1
27	Anneau de piston	▼	2	67	Crochet utilitaire	D	1
28	Ensamble moteur	▼	1	68	Assemblage de levier à rouleaux	○	1
29	Pare-chocs	■	1	69	Vis	○	1
30	Bague d'étanchéité en acier	■ ★	1	70	Rondelle	○	1
31	Cylindre	★	1	71	Vis	D	1
32	Crépine	✱	1	72	Bride	D	1
33	Défecteur d'échappement	✱	1	73	Carter (côté droit)	□	1
34	Soupape flexible	■ ✱	1	74	Ressort de gâchette	◇	1
35	Couvercle	✱	1	75	Gâchette	◇	1
36	Vis	✱	2	76	Tige du verrou de gâchette	◇	1
37	Silencieux	■ ✱	1	77	Module électronique avec DEL	NF000300AV	1
38	Vis	✱	2	78	Batterie rechargeable au lithium-ion	NF000400AV	1
39	Douille avant	▶	2	79	Guide de tête de clou	✱	1
40	Écrou	▶	2	80	Trappe de la pile à combustible	▽	1

Illustration des Pièces de Rechange

**Pour pièces de rechange ou assistance technique,
appeler 1-800-543-6400**

S'il vous plaît fournir l'information suivante :

- Numéro de modèle
- Code imprimé sur l'outil
- Description de la pièce et son numéro

Adresser toute correspondance à :

Campbell Hausfeld
Attn: Customer Service
100 Production Drive
Harrison, OH 45030 U.S.A.

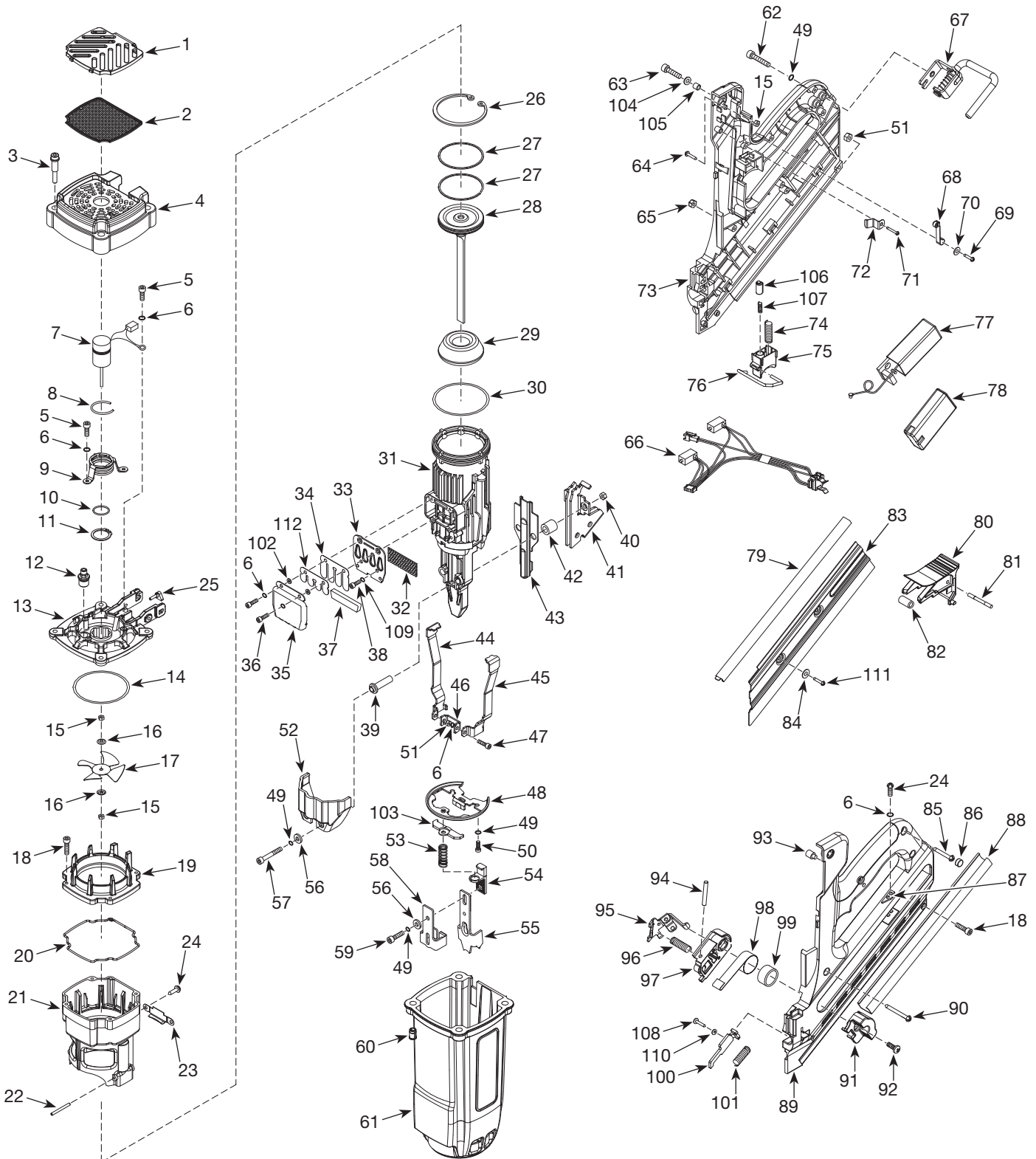


Figure 31

Liste de Pièces de Rechange (Suite)

No. de Réf.	Description	Numéro de Pièce	Qté.	No. de Réf.	Description	Numéro de Pièce	Qté.
81	Goupille de la trappe de la pile à combustible	▽	1	111	Vis	☆	1
82	Manchon en caoutchouc	▽	1	112	Support à soupape flexible	■ ✕	1
83	Plaque de couverture du chargeur	⊗	1	113	Base de chargement (non illustrée)	NF000500AV	
84	Rondelle	⊗	2	114	Adaptateur de la base de chargement (non illustré)	NF000600AV	
85	Vis	D	3	115	Verrou de remplacement pour étui (non illustré)	NF002400AV	
86	Cache de vis en caoutchouc (côté gauche)	D	4	NÉCESSAIRES DE PIÈCES DE RECHANGE			
87	Auberonnère du poussoir	D	1	▲	Trousse du couvercle supérieur	NF000700AV	
88	Pince de garniture du chargeur	□	1	■	Nécessaires de remise en état	NF000800AV	
89	Carter (côté gauche)	□D	1	●	Trousse du moteur du ventilateur	NF000900AV	
90	Vis	D	1	◆	Assemblage de la chambre de combustion	NF001000AV	
91	Manche du poussoir	☆	1	▼	Piston équipé	NF001100AV	
92	Screw	☆	1	★	Trousse de cylindre	NF001200AV	
93	Tube pour voyant DEL	□	1	✕	Trousse d'échappement	NF001300AV	
94	Broche du Poussoir	☆	1	◐	Trousse du guide d'entraînement (inclue des écrous supplémentaires)	NF001400AV	
95	Poussoir	☆	1	♣	Trousse de pointes de contact (PC)	NF001500AV	
96	Ressort de poussoir	☆	1	△	Trousse du boîtier de tête	NF001600AV	
97	Boîtier de poussoir	☆	1	□	Trousse du boîtier	NF001700AV	
98	Ressort de serpent	☆	1	○	Faisceau de fils et trousse de l'interrupteur	NF001800AV	
99	Douille	☆	1	◇	Gâchette équipée	NF001900AV	
100	Plaque d'engagement de l'anti-décharge à sec	☆	1	▽	Trousse de la trappe de la pile à combustible	NF002000AV	
101	Ressort de l'anti-décharge à sec	☆	1	☆	Trousse d'ensemble de poussoir	NF002100AV	
102	Rondelle	✕	2	⊗	Trousse du guide de clou	NF002200AV	
103	Bloc d'espacement	♣	1	D	Trousse de quincaillerie du boîtier	NF002300AV	
104	Rondelle	D	2	⊕	Trousse de buse (jeu de 2)	NF002500AV	
105	Douille	D	2	--	Pas disponible		
106	Cylindre de la gâchette	◇	1				
107	Ressort du cylindre de la gâchette	◇	1				
108	Vis	☆	1				
109	Rondelle	✕	2				
110	Rondelle de pince	☆	1				

Reminder: *Keep your dated proof of purchase for warranty purposes! Attach it to this manual or file it for safekeeping.*

Garantie Limitée

1. DURÉE: À partir de la date d'achat par l'acheteur original comme suit - Un An.
2. GARANTIE ACCORDÉE PAR (GARANT): Campbell Hausfeld/Scott Fetzer Company, 100 Production Drive, Harrison, Ohio, 45030, Téléphone: (800) 543-6400
3. BÉNÉFICIAIRE DE CETTE GARANTIE (ACHETEUR): L'acheteur original (sauf en cas de revente) du produit Campbell Hausfeld.
4. PRODUITS COUVERTS PAR CETTE GARANTIE: Cette cloueuse sans fil Campbell Hausfeld.
5. COUVERTURE DE LA PRÉSENTE GARANTIE: Défauts importants des matériaux et de main d'oeuvre qui se produisent durant la période de garantie à l'exception de ce qui est noté plus bas.
6. LA PRÉSENTE GARANTIE NE COUVRE PAS:
 - A. Les garanties implicites, y compris celles de commercialisabilité et D'ADAPTION À UNE FONCTION PARTICULIÈRE SONT LIMITÉES À PARTIR DE LA DATE D'ACHAT INITIALE TELLE QU'INDIQUÉE DANS LA SECTION DURÉE. Si ce produit est utilisé pour une fonction commerciale, industrielle ou pour la location, la durée de la garantie sera quatre-vingt-dix (90) jours à compter de la date d'achat. Quelques Provinces (États) n'autorisent pas de limitations de durée pour les garanties implicites. Les limitations précédentes peuvent donc ne pas s'appliquer.
 - B. TOUT DOMMAGE, PERTE OU DÉPENSE FORTUIT OU INDIRECT POUVANT RÉSULTER DE TOUT DÉFAUT, PANNE OU MAUVAIS FONCTIONNEMENT DU PRODUIT CAMPBELL HAUSFELD. Quelques Provinces (États) n'autorisent pas l'exclusion ni la limitation des dommages fortuits ou indirects. La limitation ou exclusion précédente peut donc ne pas s'appliquer.
 - C. Toute panne résultant d'un accident, d'une utilisation abusive, de la négligence ou d'une utilisation ne respectant pas les instructions données dans le(s) manuel(s) accompagnant le produit. Un accident, une utilisation abusive par l'acheteur, la négligence ou une utilisation ne respectant pas les instructions ou les consignes de nettoyage des produits selon les instructions comprend également le fait de retirer ou de modifier un quelconque appareil de sécurité. En cas de retrait ou de modifications apportés aux appareils de sécurité, la garantie sera annulée.
 - D. Le nettoyage et les réglages normaux expliqués dans le(s) manuel(s) du propriétaire fourni(s) avec le produit.
 - E. Les articles ou services nécessaires à l'entretien normal du produit; par ex. joints toriques, ressorts, butées, lames d'entraînement, batteries, joints d'étanchéité, emballages ou sceaux, lubrifiants, soupape flexible ou toute autre pièce consommable non spécifiquement indiquée. Ces articles ne seront couverts que pendant quatre-vingt-dix (90) jours à partir de la date d'achat d'origine. Les articles soulignés sont garantis uniquement contre les vices de matériaux et de fabrication.
7. RESPONSABILITÉS DU GARANT AUX TERMES DE CETTE GARANTIE: Réparation ou remplacement, au choix du Garant, de produits ou composants défectueux, ont connu une défaillance ou qui ne sont pas conformes pendant la durée précise de validité de la garantie.
8. RESPONSABILITÉS DE L'ACHETEUR AUX TERMES DE CETTE GARANTIE:
 - A. Fournir une preuve d'achat datée et un état d'entretien.
 - B. Livraison ou expédition du produit ou de la pièce Campbell Hausfeld au Centre De Service Autorisé Campbell Hausfeld. Taux de frais, si applicables, sont la responsabilité de l'acheteur.
 - C. Utilisation et entretien du produit avec un soin raisonnable, ainsi que le décrit le(s) manuel(s) d'utilisation.
9. RÉPARATION OU REMPLACEMENT EFFECTUÉ PAR LE GARANT AUX TERMES DE LA PRÉSENTE GARANTIE: La réparation ou le remplacement sera prévu et exécuté en fonction de la charge de travail dans le centre de service et dépendra de la disponibilité des pièces de rechange.

Cette Garantie Limitée s'applique aux É.-U., au Canada et au Mexique seulement et vous donne des droits juridiques précis. L'acheteur peut également jouir d'autres droits qui varient d'une Province, d'un État ou d'un Pays à l'autre.

Clavadora Inalámbrica para Estructuras

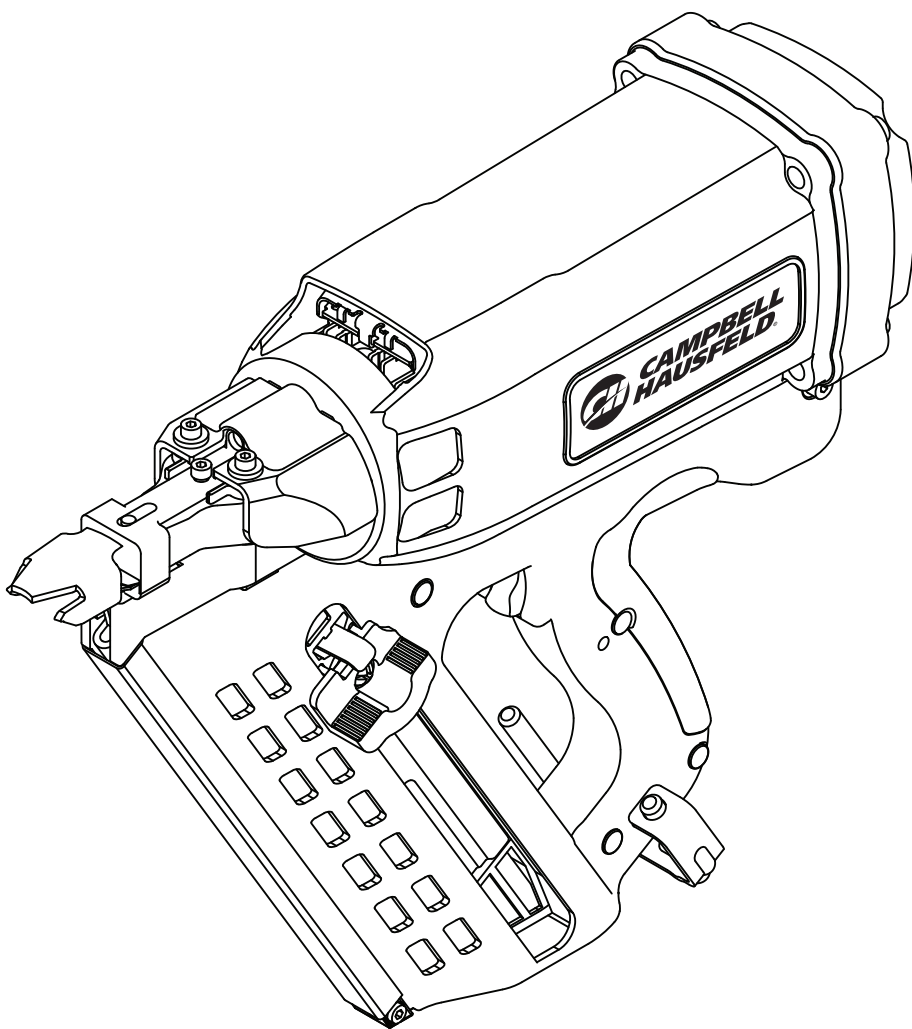


¡REGISTRE SU PRODUCTO EN LÍNEA AHORA MISMO! <http://www.chpower.net/reg>

Description

Esta clavadora a combustible está diseñada para el armado de estructuras, armaduras de cubierta, contrapisos, forro exterior, plataformas exteriores, y pálets/cajones de madera. Las características incluyen: práctico cargador de carga trasera con una capacidad de aproximadamente 40 clavos, un mecanismo clavador con profundidad ajustable, cargador en línea, mecanismo contra disparos vacíos, gancho ajustable de uso general, y luz indicadora de batería. Requiere: batería y célula de combustible para su funcionamiento.

Esta herramienta utiliza una mezcla de combustible y aire que se enciende mediante una chispa para accionar el proceso de clavado de los sujetadores. Es una herramienta mecánica totalmente autocontenida que libera al usuario de las restricciones de los cables de corriente y las mangueras de aire.



Especificaciones

Modelo NF349099

Requiere: Batería y Célula de Combustible

Tamaños de los Sujetadores:

- ◆ 5 a 9 cm (2 pulg. a 3-1/2 pulg de largo)
- ◆ 0,28 a 0,33 cm (0,113 pulg. a 0,131 pulg.) de diámetro de espiga
- ◆ 30° - 34°

Capacidad del Cargador:

más de 40 sujetadores por carga

Peso:

3,37 kg (7 lbs., 7 oz.)

[solo la herramienta]

3,54 kg (7 lbs., 13 oz.)

[con la batería y la célula de combustible]

Longitud: 29,21 cm (11-1/2 pulg.)

Altura: 38,74 cm (15-1/4 pulg.)

Velocidad del Ciclo:

Limitado: aproximadamente

1 clavo por segundo

Continuo: 1000 clavos por hora

Batería: Ión de Litio 7,4 V CC
1,2 Ah

Peso de la batería:

68,04 g (0,15 lbs.)

Cargador de batería:

Entrada:

CA monofásica 100 – 240 V

50 - 60 Hz

Salida:

9,5 V CC

1200 mA

Tiempo de carga estimado:

5 minutos (200 clavos)

120 minutos (3000 clavos)

Célula de combustible:

Aproximadamente 1200 - 1400 tiros por célula de combustible

Ambiente de funcionamiento:

Temperatura de

funcionamiento:

0 °C (32 °F) mín. a

40 °C (104 °F) máx.

Altitud de funcionamiento:

0 – 1219 m (0 – 4000 pies) por encima del nivel del mar

Localice el número de modelo y el código de fecha en el cargador y/o cuerpo de la herramienta. Regístrelo a continuación:

No. de modelo: _____

Código de fecha: _____

Guarde estos números para referencia futura.

ENGLISH: Page 1
FRANÇAISE: Page 19

GUARDE ESTAS INSTRUCCIONES
NO LAS DESECHE

Medidas de Seguridad

Este manual contiene información que es muy importante que se conozca y comprenda. Esta información se proporciona con fines de SEGURIDAD y para EVITAR PROBLEMAS CON EL EQUIPO. Para ayudar a reconocer esta información, observe los siguientes símbolos.

▲ PELIGRO Peligro indica una situación inminentemente peligrosa, que si no se evita, dará como resultado la muerte o lesiones graves.

▲ ADVERTENCIA Advertencia indica una situación potencialmente peligrosa, que si no se evita, PODRÍA ocasionar la muerte o lesiones graves.

▲ PRECAUCION Precaución indica una situación potencialmente peligrosa, que si no se evita, PUEDE dar como resultado lesiones leves o moderadas.

AVISO Aviso indica una información importante, que de no seguirla, le podría ocasionar daños al equipo.

NOTA: Información que requiere atención especial.

Símbolos de seguridad

Los siguientes símbolos de seguridad aparecen a lo largo de este manual para advertirle de importantes peligros y precauciones de seguridad.



Use protección para los ojos y máscara



Lea primero el manual



Riesgo de lesiones personales



Riesgo de caída



Use protección para los ojos



Use protección para los oídos



Riesgo de incendio



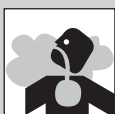
Riesgo de explosión



Riesgo de choque eléctrico



Riesgo de piezas calientes



Riesgo de vapores



Prohibido fumar

Índice

Medidas de Seguridad	S-40	Funcionamiento	S-48
Símbolos de Seguridad	S-40	Lubricación	S-48
Importantes instrucciones de seguridad	S-40	Disparo de la herramienta	S-48
Desempaque	S-43	Ajuste de la profundidad del sujetador	S-48
Glosario	S-43	Gancho de uso general	S-48
Conozca su clavadora para estructuras inalámbrica	S-44	Mantenimiento	S-49
Configuración	S-45	Cómo solucionar una obstrucción	S-49
Cómo cargar la batería	S-45	Reparación de la herramienta y piezas de repuesto	S-49
Preparación de la célula de combustible	S-45	Procedimiento de ensamblaje para sellos y piezas móviles	S-49
Preparación de la herramienta	S-46	Filtro de aire	S-49
Previo al funcionamiento	S-46	Almacenamiento	S-49
Introduzca la batería	S-46	Servicio Técnico	S-49
Introduzca la célula de combustible	S-46	Guía de resolución de problemas	S-50
Prueba anterior al uso	S-47	Lista de piezas de repuesto	S-54
Carga y descarga de la herramienta	S-47	Garantía	S-58

Importantes instrucciones de seguridad

INSTRUCCIONES EN REFERENCIA AL PELIGRO DE INCENDIOS, CHOQUE ELÉCTRICO O LESIONES PERSONALES

Este manual contiene información sobre seguridad, funcionamiento y mantenimiento. Si tiene preguntas, llame al 1-800-543-6400 para obtener asistencia al cliente.

▲ ADVERTENCIA Cuando se usen herramientas, siempre se deberán seguir precauciones básicas, incluyendo las siguientes:

PROPOSICIÓN 65 DE CALIFORNIA

▲ ADVERTENCIA Este producto, o su cordón eléctrico, puede contener productos químicos conocidos por el estado de California como causantes de cáncer y defectos de nacimiento u otros daños reproductivos. Lave sus manos después de usar.

▲ ADVERTENCIA Cuando corta lija, taladra o pule materiales como por ejemplo madera, pintura, metal, hormigón, cemento, u otro tipo de mampostería se puede producir polvo. Con frecuencia este polvo contiene productos químicos que se conocen como causantes de cáncer, defectos congénitos u otros daños reproductivos. Use equipo de protección.



GENERAL

- Para reducir el riesgo de choque eléctrico, incendio y lesiones personales, lea todas las instrucciones antes de usar la herramienta. Si no respeta las advertencias, los riesgos y las recomendaciones, eso podría resultar en la MUERTE o en LESIONES GRAVES.
- Familiarícese con los controles y el uso adecuado del equipo. Siga todas las instrucciones. Póngase en contacto con su representante Campbell Hausfeld si tiene alguna pregunta.
- Sólo se le debe permitir usar esta unidad a aquellas personas bien familiarizadas con estas reglas de manejo seguro.




▲ ADVERTENCIA No opere la clavadora ni permita que otros la operen si las etiquetas de advertencia están ilegibles. Éstas se encuentran en el cargador o el cuerpo de la clavadora.

▲ ADVERTENCIA Siempre asuma que la clavadora tiene clavos. Respete la herramienta como un implemento de trabajo; no juegue con ella. Siempre mantenga a los demás a una distancia segura del área de trabajo, en caso de una descarga accidental de clavos. No apunte con la herramienta hacia usted o hacia otra persona, ya sea que contenga o no clavos. El disparo accidental de la clavadora podría resultar en la muerte o en graves lesiones personales.


▲ PRECAUCION No haga ninguna modificación a la herramienta sin obtener primero la aprobación por escrito de Campbell Hausfeld. No use la clavadora si le faltan alguna de las tapas protectoras o si éstas han sido modificadas. No use la clavadora como un martillo. Se pueden producir lesiones personales o daños a la herramienta.


Importantes instrucciones de seguridad (Continuación)


ÁREA DE TRABAJO

- Mantenga el área de trabajo limpia y bien iluminada. Los bancos desordenados y las áreas oscuras aumentan el riesgo de choque eléctrico, incendio y lesiones personales.
- No haga funcionar la herramienta en entornos explosivos, como por ejemplo cuando haya polvo, líquidos o gases inflamables. La herramienta puede crear chispas y provocar la ignición de polvo o vapores. 
- Mantenga alejados a los observadores, niños y visitantes mientras hace funcionar la herramienta. Las distracciones pueden dar como resultado la pérdida del control de la herramienta.


SEGURIDAD PERSONAL

- Manténgase alerta. Mire lo que está haciendo y use el sentido común cuando haga funcionar la herramienta. No use la herramienta si está cansado o bajo la influencia de drogas, alcohol o medicamentos. Un momento de desatención mientras hace funcionar la herramienta aumenta el riesgo de lesiones personales.
- Vístase adecuadamente. No use alhajas ni vestimenta suelta. Sujétese el cabello largo. Mantenga el cabello, vestimenta y guantes alejados de las piezas móviles. La vestimenta suelta, las alhajas o el cabello largo aumentan el riesgo de lesiones personales como resultado de quedar atrapados en las piezas móviles.
- No intente alcanzar lugares alejados. Mantenga un buen soporte y equilibrio en todo momento. Un soporte y equilibrio adecuados permiten un mejor control de la herramienta en situaciones inesperadas. 
- Use equipo de seguridad. Se debe usar una máscara para polvo, calzado de seguridad antideslizante y casco para las condiciones que se apliquen.

⚠ ADVERTENCIA Asegurarse de que la herramienta se use únicamente cuando el operador y todo el resto del personal en el área de trabajo estén usando equipo de protección ocular ANSI Z87 y demás equipo de protección de cabeza, oídos y pies. Pueden ocasionarse lesiones graves o permanentes de ojos y oídos. 

e. Use siempre una protección para el oído cuando use la herramienta. La exposición prolongada a ruido de alta intensidad puede causar pérdida de audición. 

f. No ate la herramienta a su cuerpo.


g. Siempre asuma que la herramienta contiene clavos. No apunte con la herramienta hacia usted o hacia otra persona, ya sea que contenga clavos o no. 

⚠ ADVERTENCIA No deje que la herramienta se caiga ni la tire. Esto podría dañarla o convertirla en algo peligroso de usar. En caso de que la herramienta se haya caído o la hayan tirado, revísela con cuidado a ver si está doblada o rota, o si tiene alguna pieza dañada. DEJE de trabajar y repárela antes de usarla o podría ocasionarle heridas graves.


⚠ PRECAUCION Evite trabajar con esta clavadora por largos períodos. Deje de usar la clavadora si siente dolor en las manos o en los brazos.

⚠ PRECAUCION Sostenga la herramienta por la superficie de sujeción aislada cuando realice una operación en la que la herramienta o el sujetador puedan entrar en


contacto con un cableado oculto. Al entrar en contacto con un cable con corriente las piezas metálicas expuestas de la herramienta conducirán la electricidad y el usuario recibirá un choque eléctrico.

⚠ ADVERTENCIA Nunca coloque las manos ni ninguna otra parte del cuerpo en el área de descarga de la clavadora. La clavadora podría disparar un sujetador y podría causar la muerte o una lesión personal grave. 


h. Mantenga el rostro, las manos y los pies fuera del área de disparo de la herramienta mientras se está usando. Nunca ponga su rostro, manos o pies a una distancia menor de 20,32 cm (8 pulg.) del área de disparo de la herramienta. Esto podría provocar lesiones graves si la pieza de trabajo desvía un sujetador de regreso hacia la herramienta.

⚠ ADVERTENCIA Algunas piezas se calientan durante el uso. NO las toque con las manos descubiertas. NO toque el puerto de escape. La herramienta produce escapes calientes que podrían contener gases inflamables. NO toque el elemento de contacto de trabajo (WCE por sus siglas en inglés) y la boquilla sin quitar la batería y la célula de combustible; deje que se enfríe. El elemento de contacto de trabajo (WCE) y la boquilla se calientan después de un uso prolongado o rápido. 

SEGURIDAD ELÉCTRICA

⚠ ADVERTENCIA Cambie las pilas únicamente por pilas del mismo tamaño. El uso de pilas de otro tamaño puede ocasionar un riesgo de incendio o de lesiones. 

- Nunca desarme la batería.
- NO introduzca objetos dentro de los contactos de la batería u orificios de ventilación del cargador de la batería. Esto podría provocar una descarga eléctrica o daño a la batería y el cargador.

⚠ ADVERTENCIA El extremo delantero de la herramienta puede conducir corriente si la herramienta entra en contacto con cables con corriente dentro de la pared. PARA EVITAR DESCARGAS ELÉCTRICAS ACCIDENTALES, SOSTENGA LA HERRAMIENTA ÚNICAMENTE POR EL MANGO DE SUJECIÓN SUAVE. Inspeccione el área de trabajo para verificar si hay cables con corriente ANTES de comenzar a usar la herramienta. 

USO Y CUIDADO DE LA HERRAMIENTA

⚠ PELIGRO No modifique ni desactive el Elemento de contacto de trabajo (WCE, por sus siglas en inglés). No ate ni pegue con cinta el WCE ni apriete el gatillo en una posición en que esté oprimido. Eso puede resultar en muerte o graves lesiones personales.

⚠ ADVERTENCIA Evite trabajar con esta herramienta. Siempre controle que el elemento de contacto de trabajo (WCE) esté funcionando correctamente. Si el WCE no estuviera funcionando de forma adecuada un clavo podría clavarse accidentalmente. Pueden ocurrir lesiones personales.

⚠ PELIGRO No toque el gatillo a menos que esté clavando. Nunca instale la batería o célula de combustible ni lleve la clavadora mientras toca el gatillo. La herramienta podría expulsar un clavo y producir la muerte o lesiones personales graves.

a. No fuerce la herramienta. Use la herramienta correcta para la aplicación. La herramienta correcta hará el trabajo mejor y en forma más segura a la velocidad para la cual fue diseñada.

⚠ ADVERTENCIA Desconecte la batería y la célula de combustible de la herramienta antes de hacer cualquier ajuste, realizar el mantenimiento de la herramienta, eliminar obstrucciones, dejar el área de trabajo, cargar o descargar la herramienta. Estas medidas de precaución reducen el riesgo de lesiones personales.

Importantes instrucciones de seguridad (Continuación)

- b. Cuando no esté en uso, guarde la herramienta fuera del alcance de los niños y otras personas no capacitadas. Una herramienta es peligrosa cuando está en manos de usuarios inexpertos.
- c. Cuide su herramienta. Una herramienta mantenida adecuadamente reduce el riesgo de problemas y es más fácil de controlar.
- d. Trabaje siempre en un área bien ventilada. Use una máscara para polvo aprobada por OSHA.
- e. Use la herramienta dentro de un rango de temperatura seguro y adecuado. El ambiente de funcionamiento para esta herramienta es de entre 0 °C (32 °F) y 40 °C (104 °F). La herramienta podría no funcionar correctamente a temperaturas por encima o por debajo del rango de temperatura.



⚠ ADVERTENCIA No clave un clavo encima de otros clavos. El clavo podría rebotar y causar la muerte o una grave herida punzante.

AVISO

No exponga la herramienta a calor extremo.

- f. Mantenga todos los tornillos, pernos y cubiertas bien ajustados. Revise la herramienta periódicamente para verificar si hay algún tornillo o perno flojo. Asegúrese de que ninguna tapa se deslice fuera de su lugar.
- g. No clave sujetadores en tabloncillos finos o cerca de las esquinas o bordes de la pieza de trabajo. Los sujetadores podrían accidentalmente atravesar al otro lado y provocar daños. Revise el ajuste de profundidad antes de usar la herramienta.
- h. No desarme la herramienta.

⚠ PRECAUCIÓN No haga ninguna modificación a la herramienta sin obtener primero la aprobación por escrito de Campbell Hausfeld. No modifique ni altere la clavadora ni ninguna de sus piezas. No use la clavadora si se ha quitado o alterado alguna protección. No use la clavadora como martillo. Podrían provocarse daños a la herramienta o lesiones personales.

⚠ PELIGRO Nunca use gasolina ni ningún otro líquido inflamable para limpiar la clavadora. Nunca use la clavadora cuando haya líquidos o gases inflamables. Los vapores podrían ser encendidos por una chispa y provocar una explosión, la cual dará como resultado la muerte o lesiones personales graves.



SEGURIDAD DE LA BATERÍA / CÉLULA DE COMBUSTIBLE

⚠ PELIGRO La célula de combustible de esta herramienta es un dispensador en aerosol que es inflamable y combustible. El no seguir las instrucciones sobre el uso de la herramienta y/o las advertencias de seguridad podría provocar una explosión o incendio. Mantenga la clavadora, la(s) célula(s) de combustible y la batería fuera de la luz solar directa continua y de temperaturas que superen los 49 °C (120 °F), de lo contrario la célula de combustible y/o la batería podrían explotar.



⚠ PELIGRO No fume mientras usa esta herramienta. La célula de combustible en aerosol y el escape de la herramienta son inflamables y se encenderán si se exponen a llamas o sustancias que estén encendidas. Fumar mientras se usa esta herramienta o poco después de usarla creará un riesgo de seguridad potencial.



⚠ PELIGRO No incinere ni rellene la célula de combustible ni la batería de esta herramienta. No quemar la célula de combustible, ni siquiera después de que la misma se haya agotado por completo. Siga las instrucciones de desecho adecuadas y las reglamentaciones locales con respecto a la célula de combustible y la batería.

NOTA: la temperatura de la batería aumentará durante el uso y enseguida después de usarla.

Vida útil de almacenamiento de la batería - la batería incluida puede estar levemente gastada o agotada dependiendo de cuánto tiempo haya pasado hasta la compra del producto. Cargue la batería. Si no se carga, llame a Campbell Hausfeld al 1-800-543-6400 para obtener asistencia. NO LA DEVUELVA A LA TIENDA.

Retire la célula de combustible y la batería de la herramienta para lo siguiente:

- ◆ Realizar cualquier tipo de mantenimiento o inspecciones
- ◆ Eliminar una obstrucción
- ◆ La herramienta no está en uso
- ◆ El usuario está abandonando el área de trabajo
- ◆ Al mover o transportar la herramienta a otra ubicación o lugar de trabajo
- ◆ Al dejar la herramienta sin atención

ALMACENAMIENTO / FINAL DE USO

⚠ ADVERTENCIA Cuando la batería no está en uso, manténgala alejada de otros objetos de metal como sujetadores de papel, monedas, llaves, clavos, tornillos u otros objetos metálicos pequeños que puedan hacer una conexión entre los terminales. Hacer un puente entre los terminales de la batería podría provocar chispas, quemaduras o incendios.

- a. Retire la batería si va a guardar la herramienta durante un largo tiempo.
- b. No la guarde en lugares donde la temperatura pueda alcanzar o exceder los 49 °C (120 °F), como un cobertizo de metal para herramientas o un auto en verano. Esto puede provocar que la batería se deteriore.
- c. Cuando no esté en uso debe almacenar la herramienta, la célula de combustible y la batería en un sitio seco y fresco. Quite la batería y la célula de combustible y guárdelas en la caja.

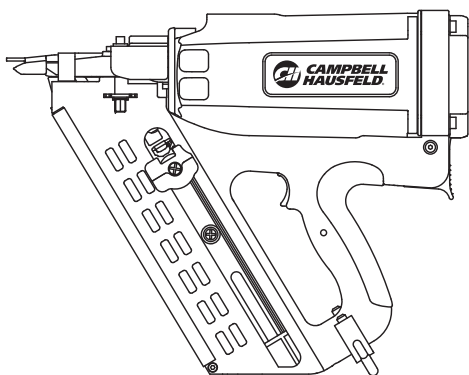
SERVICIO

- a. El servicio de la herramienta debe ser realizado sólo por personal de reparaciones calificado.
- b. Al realizarle un servicio a la herramienta, utilice únicamente piezas de repuesto idénticas. Use sólo piezas autorizadas.

⚠ PRECAUCIÓN Desconecte la célula de combustible y la batería y libere la tensión del disparador antes de tratar de eliminar cualquier obstrucción. Se pueden producir lesiones personales y/o daños a la herramienta.

Los símbolos de **PELIGRO**, **ADVERTENCIA**, **PRECAUCIÓN**, y **AVISO** y las instrucciones en este manual no pueden posiblemente cubrir todas las condiciones y situaciones posibles que puedan presentarse. El usuario debe entender que las precauciones y el sentido común son factores que no pueden incorporarse en este producto: es el usuario mismo quien debe contribuirlos.

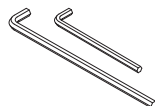
Desempaque



Clavadora para entramados



Protección para los ojos ANSI Z87



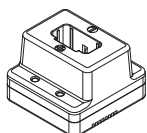
Llave Allen



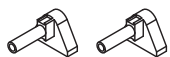
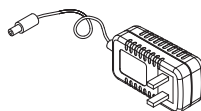
Aceite



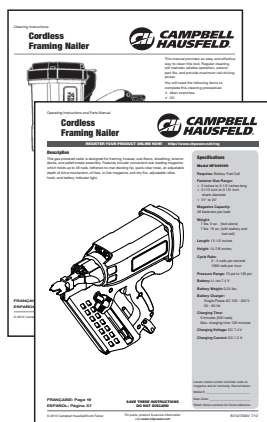
Batería



Base y transformador del cargador de la batería



Válvulas de Gas

Manual de Instrucciones
y
Instrucciones de limpieza

Estuche

Después de desempacar la unidad, inspecciónela cuidadosamente para detectar cualquier daño que pueda haber ocurrido durante el envío. Verifique que no haya piezas sueltas, faltantes ni dañadas. Asegúrese de ajustar cualquier accesorio, tornillos, etc., antes de hacer funcionar la unidad. Asegúrese de que todos los accesorios proporcionados vengan con la unidad. En caso de que tenga preguntas, o de que haya piezas dañadas o faltantes, llame a 1-800-543-6400 para obtener asistencia al cliente.

CONTENIDOS

- ◆ Clavadora para entramados
- ◆ Batería
- ◆ Base y transformador del cargador de la batería
- ◆ Llave Allen
- ◆ Manual de Instrucciones
- ◆ Instrucciones de limpieza
- ◆ Protección para los ojos ANSI Z87
- ◆ Aceite
- ◆ 2 (dos) válvulas de gas de repuesto
- ◆ Estuche

ARTÍCULOS ADICIONALES NO INCLUIDOS

- ◆ Células de combustible
- ◆ Sujetadores
- ◆ Herramienta pequeña para eliminar obstrucciones
- ◆ Debe usarse protección auditiva y otros dispositivos de protección personal

Glosario

Familiarícese con estos términos antes de poner la unidad en funcionamiento.

ACTIVAR (HERRAMIENTA) — Producir el movimiento del (de los) componente(s) de la herramienta diseñado(s) para impulsar el sujetador.

SISTEMA DE ACTIVACIÓN -- El uso de un gatillo, elemento de contacto de trabajo (WCE) y/o otro control de funcionamiento, de modo independiente, en combinación o en secuencia, para activar la herramienta.

SUJETADORES — La clavadora utiliza sujetadores que van de 5 cm a 8 cm (2 pulg. a 3-1/2 pulg.) de largo, de 0,28 a 0,33 cm (0,113 pulg. a 0,131 pulg.) de diámetro de espiga, y de 30° a 34°.

CARGADOR — La parte de la clavadora en que se mantienen los sujetadores.

CÉLULA DE COMBUSTIBLE — Un gas en aerosol comprimido usado para accionar el sistema de clavado de sujetadores de la herramienta.

BATERÍA — El componente eléctrico de la herramienta que acciona el sistema de encendido, el ventilador y la luz LED indicadora de la clavadora.

CARGADOR DE LA BATERÍA — Proporciona carga a la batería para usar la herramienta.

Conozca su Clavadora para Estructuras Inalámbrica

ANTI DISPARO SIN CARGA

Esta herramienta está equipada con una característica de anti disparo sin carga. Esto evita que se presione el elemento de contacto de trabajo (WCE) cuando sólo queden pocos clavos. Simplemente cargue nuevos clavos a continuación de los que quedan, para continuar disparando.

LUZ INDICADORA DE LA BATERÍA

La herramienta está equipada con una luz LED para indicar la condición de funcionamiento de la batería de la herramienta. El LED tiene las siguientes funciones:

Luz VERDE parpadeando: energía restante para usar.

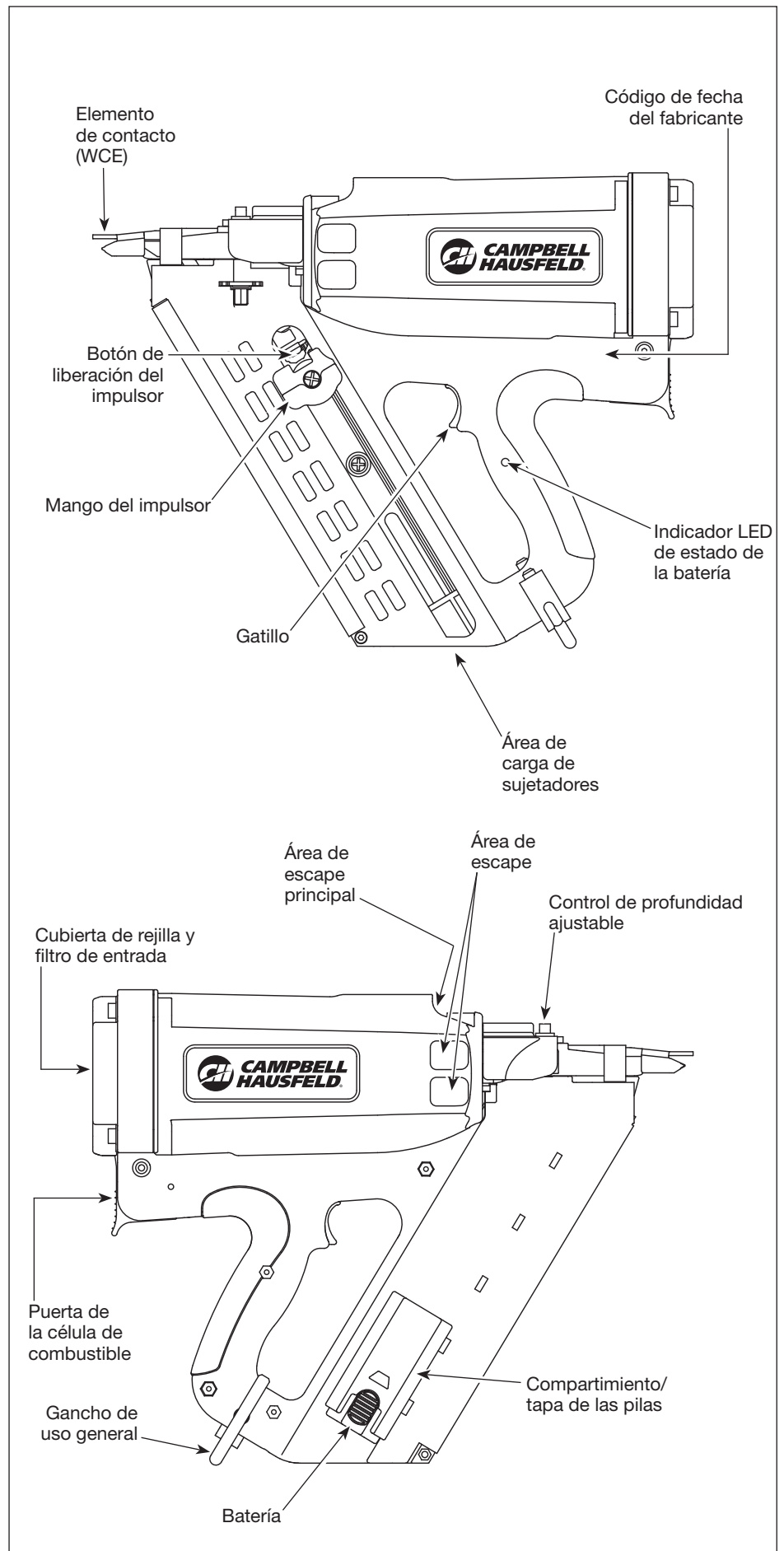
Luz VERDE fija: permanece encendida durante el funcionamiento de la herramienta.

Luz ROJA parpadeando: energía restante insuficiente; cargue la batería.

Luz ROJA parpadeando rápidamente: NO haga funcionar la herramienta - posible malfuncionamiento; consulte la sección de Resolución de problemas

CONTROL DE PROFUNDIDAD AJUSTABLE

Esto permite que la herramienta ajuste la profundidad a la que se clavarán los sujetadores en la pieza de trabajo. Para algunas aplicaciones, el control de profundidad deberá ajustarse para que el sujetador quede al ras o que sobresalga de la superficie de trabajo.



Configuración

Lea todas las instrucciones de configuración de la herramienta ANTES de poner en funcionamiento la herramienta.

CÓMO CARGAR LA BATERÍA

Antes de usar la herramienta, asegúrese de que la batería esté totalmente cargada.

⚠ PRECAUCION Debe cargar la batería antes de usar la herramienta. Use únicamente la batería diseñada para esta herramienta. No use ni intente usar otros tipos de batería con esta herramienta.

Configure el cargador y cargue la batería totalmente antes de usar la herramienta por primera vez.

Antes de enchufar el cargador en el receptáculo del tomacorriente:

- ◆ Asegúrese de que el voltaje en la base del cargador y el transformador sean compatibles con el receptáculo del tomacorriente
- ◆ Asegúrese de que el cable de corriente del sistema cargador no esté dañado

⚠ ADVERTENCIA No cargue la batería a un voltaje mayor que el indicado en el cargador. Esto podría causar daños a la batería o al cargador.

Para cargar la batería, haga lo siguiente:

1. Coloque la batería en el cargador (vea la Figura 1). Asegúrese de que la batería esté firme en el cargador.
2. Enchufe el transformador en el receptáculo del tomacorriente.
3. Introduzca el cable de corriente del transformador en la base del cargador (vea la Figura 2).
4. La carga comenzará en cuanto el cargador y el transformador estén conectados (vea la Figura 3). La luz LED verde en el cargador se encenderá en forma continua para indicar que la carga ha comenzado. Si la luz LED no se enciende, retire la batería y vuelva a colocarla en la base del cargador. La batería estará totalmente cargada cuando parpadee el LED verde en la base del cargador. Una vez que la batería está totalmente cargada, retire de inmediato la batería del cargador. NO la deje cargando en forma continua para evitar un posible daño a la batería.
5. La luz LED roja se encenderá si hay un problema.

NOTA: El tiempo de carga de la batería puede verse afectado por la temperatura del área donde se esté usando el cargador.

6. Una vez cargada, desenchufe del receptáculo del tomacorriente el transformador del cargador de la batería.

⚠ PRECAUCION No tire del cable del transformador para retirarlo del receptáculo del tomacorriente. Esto podría hacer que el cable se rompa y podría causar una descarga eléctrica o daño a la propiedad. Si se tira del cable y se daña, NO lo use para cargar. Los cables expuestos pueden causar una descarga eléctrica.



7. Retire la batería del cargador de la batería.

Consejos para prolongar la vida de la batería:

- ◆ Recargue la batería antes de que se agote por completo.
- ◆ Evite recargar la batería a altas temperaturas.
- ◆ Después de cargarla, espere a que la batería se enfríe hasta la temperatura ambiente antes de usarla.

⚠ ADVERTENCIA No sumerja la batería ni el cargador en agua por ningún motivo. Podría ocurrir una descarga grave y daño a la unidad.



PREPARACIÓN DE LA CÉLULA DE COMBUSTIBLE

Consulte las instrucciones del fabricante de la célula de combustible para obtener instrucciones, advertencias e información para el desecho adecuado.

⚠ DANGER La célula de combustible es inflamable. Manténgala lejos de llamas abiertas o cualquier fuente que pueda encender la célula de combustible.

⚠ ATTENTION Si el gas de la célula de combustible se fuga por la válvula de medición o por la célula de combustible misma después de conectar la válvula de medición, cámbiela por una nueva válvula de medición. No intente reutilizar la válvula de medición.

Para conectar la válvula de medición a una célula de combustible, haga lo siguiente:

1. Retire la tapa de envío/válvula de medición de la célula de combustible, si corresponde. Vea la Figura 4.
2. Retire la válvula de medición de tapa de protección, si corresponde. Vea la Figura 5.

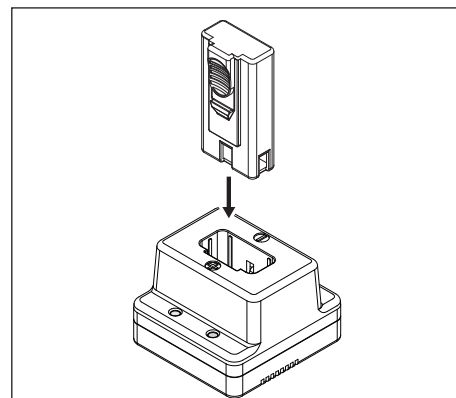


Figura 1

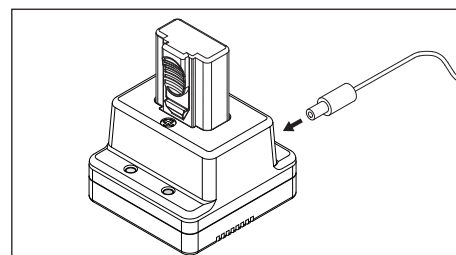


Figura 2

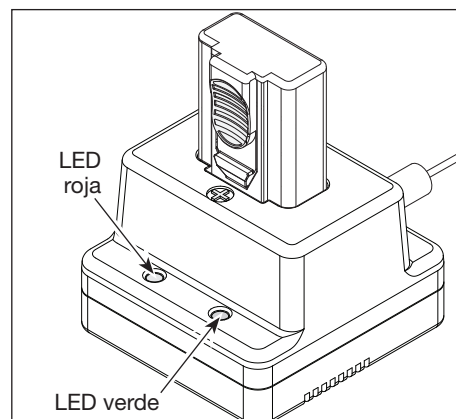


Figura 3

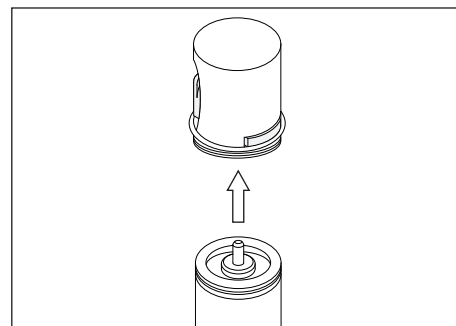


Figura 4

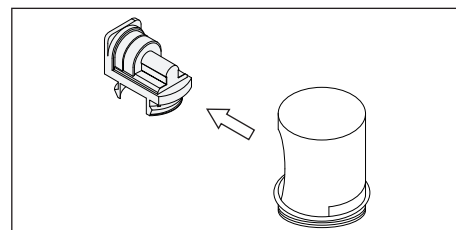


Figura 5

Configuración (Continuación)

3. Conecte la válvula de medición a la parte superior de la célula de combustible con el vástago apuntando en dirección opuesta a su rostro y cuerpo (vea la Figura 6).
4. Introduzca el reborde frontal de la válvula de medición en el borde de la célula de combustible (vea la Figura 6).
5. Presione firmemente hacia abajo sobre la parte trasera de la válvula de medición. Oirá un "clic" (vea la Figura 7). Presione nuevamente hacia abajo sobre la parte trasera de la válvula de medición. Oirá un segundo "clic" (vea la Figura 7). El segundo "clic" indica que la válvula de medición está correctamente apoyada sobre la célula de combustible.
6. En un área bien ventilada, pruebe la célula de combustible presionando el extremo de eyección de la válvula contra una superficie de prueba. **NO** apunte ni la dirija en dirección a su rostro o a otras personas. Manténgala lejos de chispas y llamas. Dispense una pequeña cantidad de combustible en aerosol. Si el combustible no se dispensa, la válvula de medición no está instalada correctamente o la célula de combustible está dañada o vacía. Deseche adecuadamente la célula de combustible y reinicie este procedimiento con una nueva célula de combustible.

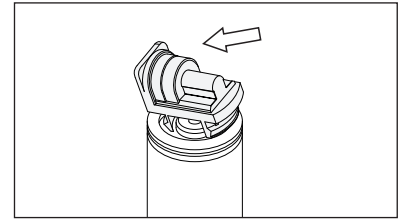


Figure 6

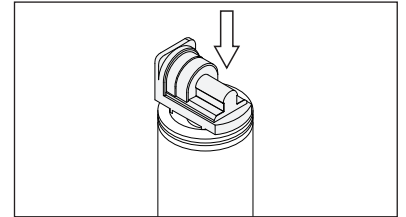


Figure 7

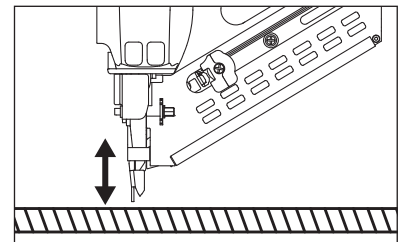


Figure 8

PREPARACIÓN DE LA HERRAMIENTA

En este punto, no se debe cargar la herramienta con sujetadores. La batería y la célula de combustible tampoco deben insertarse.

ADVERTENCIA **NUNCA use esta herramienta si el elemento de contacto de trabajo (WCE) no está funcionando adecuadamente.**

Empuje el mango del impulsor a la parte inferior del cargador hasta que se bloquee en posición. Pruebe el WCE colocándolo contra una superficie sólida y presionando la boquilla como lo haría para el uso normal. **NO** tire del gatillo. Retire la herramienta de la superficie de trabajo. El WCE debería moverse suavemente hacia arriba y hacia abajo cuando se coloca contra la superficie de trabajo y se retira de la misma (vea la Figura 8).

Si el WCE no se mueve suavemente, **NO** use la herramienta; llame al servicio de atención al cliente para obtener asistencia (1-800-543-6400).

Use la llave allen adecuada y un destornillador Phillips pequeño, cerciórese de que todos los tornillos y/o tornillos de sombrerete de cabeza hueca estén asegurados en su lugar. **NO** apriete en exceso.

Previo al funcionamiento

INTRODUZCA LA BATERÍA

1. Instale la batería, primero los contactos, en la herramienta (Figura 9).
2. Empuje la batería hacia adelante a la posición de bloqueo.
3. Para retirar la batería, presiónela contra la lengüeta de bloqueo; deslice la batería hacia afuera.

NOTA: Si la batería permanece en la herramienta, sin usar, durante un período prolongado, la batería agotará totalmente su carga. Revise primero la batería para ver el estado de su carga antes de volver a usar la herramienta.

NOTA: Si los terminales de contacto de la batería se corroen o están sucios, podrían provocar el malfuncionamiento de la herramienta. Limpie los terminales de contacto usando una tela de esmeril fina. No sumerja la batería en agua ni use ningún tipo de solución de limpieza en los terminales de contacto.

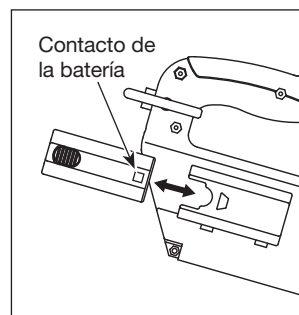


Figure 9

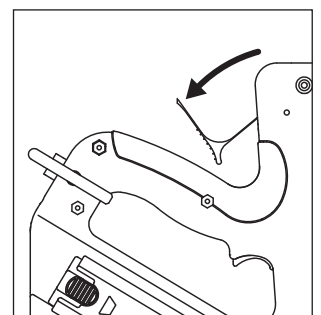


Figure 10

INTRODUZCA LA CÉLULA DE COMBUSTIBLE

La válvula de medición ya debe estar conectada a la célula de combustible como se explicó en la sección de Preparación de la célula de combustible.

AVISO **No instale la célula de combustible sin la válvula de medición correctamente conectada. Esto podría dañar la célula de combustible y/o la herramienta.**

1. Tire hacia arriba la puerta de la célula de combustible e inclínela hacia afuera para abrirla. La puerta de la célula de combustible se abrirá hacia el mango de la herramienta (vea la Figura 10).
2. Introduzca la célula de combustible, primero la base, dentro de la herramienta con la válvula de medición apuntando hacia la válvula de gas roja de la herramienta (vea la Figura 11).
3. Introduzca el vástago de la válvula de medición dentro del orificio pequeño de la válvula de gas roja. (Vea la Figura 12).
4. Cierre la puerta de la célula de combustible. Empuje la puerta hacia abajo hasta que haga "clic" en su posición.

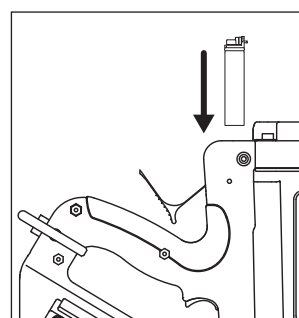


Figure 11

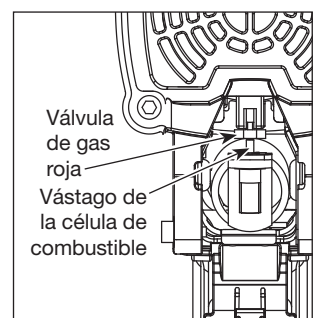


Figure 12

ADVERTENCIA **Consulte las instrucciones y advertencias de seguridad proporcionadas por el fabricante de la célula de combustible. NO exponga la célula de combustible a temperaturas por encima del límite recomendado por el fabricante.**

Previo al funcionamiento (Continuación)

PRUEBA ANTERIOR AL USO

Antes de cargar la herramienta, pruebe la clavadora para asegurar que funcione adecuadamente.

Empuje el mango del impulsor hasta el extremo del cargador hasta que se bloquee en posición.

1. Mantenga el dedo **FUERA** del gatillo. Presione el WCE colocando la boquilla de la herramienta contra una superficie sólida y presionando la boquilla como lo haría para el uso normal. La herramienta **NO DEBE** accionarse (vea la Figura 13). En este punto, la herramienta debería eyectar una pequeña cantidad medida de combustible dentro de la cámara de combustión. El ventilador de la herramienta debería comenzar a dispersar cualquier escape gaseoso.
2. Quite la herramienta de la superficie de trabajo. Apriete el gatillo y sosténgalo por cinco segundos. La herramienta **NO DEBE** accionarse y el gatillo **NO DEBERÍA** bajar por completo (vea la Figura 14).
3. **RETIRE** el dedo del gatillo. Presione el WCE colocando la boquilla de la herramienta contra una superficie sólida y presionando la boquilla como lo haría para el uso normal. Apriete el gatillo. La herramienta **DEBE** accionarse (vea la Figura 15).

Si la herramienta funciona como se espera en los tres pasos anteriores, entonces está lista para ser cargada con sujetadores.

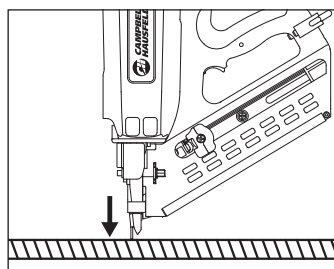


Figura 13

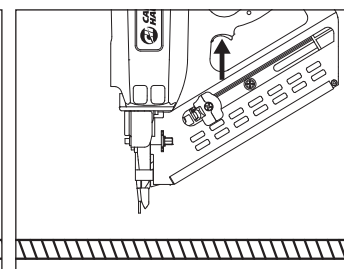


Figura 14

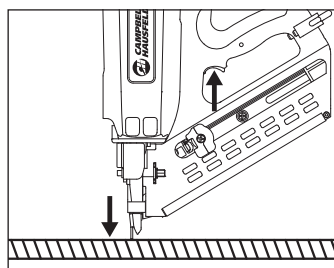


Figura 15

CARGA Y DESCARGA

ADVERTENCIA *Desconecte la batería y la célula de combustible de la herramienta antes de cargar o descargar la herramienta. Estas medidas de precaución reducen el riesgo de lesiones personales.*

Cómo cargar la herramienta

ADVERTENCIA *Cuando cargue sujetadores en la herramienta, NO presione el gatillo, NO presione el elemento de contacto de trabajo y mantenga la herramienta apuntando en una dirección segura.*

Para cargar la herramienta, haga lo siguiente:

1. Tire del impulsor de sujetadores hasta la parte inferior del cargador hasta que el impulsor de sujetadores se bloquee en su lugar (vea la Figura 16).
2. Introduzca la tira de clavos por la parte trasera del cargador (vea la Figura 17).
3. Presione el botón del impulsor de sujetadores y lleve el impulsor hasta que entre en contacto con la parte inferior de la plancha de clavos colocada en el cargador (vea la Figura 18).

NOTA: NO suelte la perilla del impulsor de sujetadores para que no golpee la plancha de clavos cargada en el cargador. Esto podría dañar la plancha de clavos y provocar una obstrucción en la herramienta.

Ahora la herramienta está lista para ser usada. Vea la sección de Funcionamiento de este manual para ver las instrucciones de uso de la herramienta.

Para descargar la herramienta

1. Tire del impulsor de sujetadores hasta la parte inferior del cargador hasta que el impulsor de sujetadores se bloquee en su lugar (vea la Figura 16).
2. Gire la herramienta a la posición vertical. Todos los clavos restantes en el cargador se deslizarán hasta la parte inferior del cargador (vea la Figura 19).

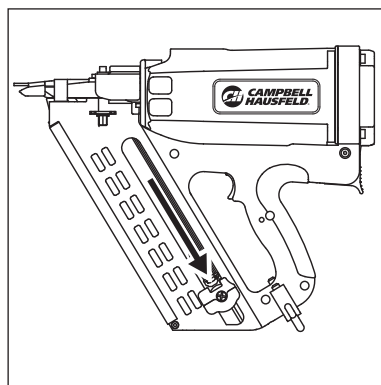


Figura 16

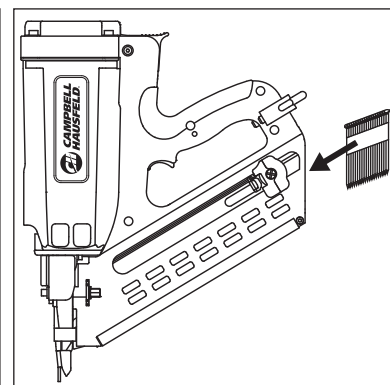


Figura 17

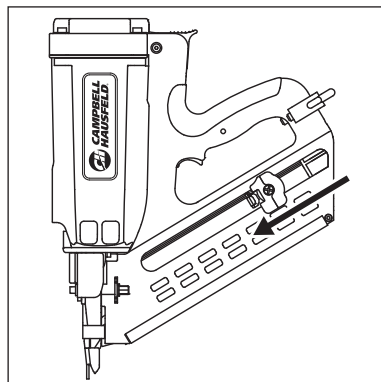


Figura 18

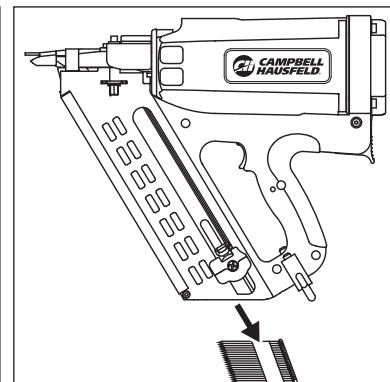


Figura 19

Funcionamiento

LUBRICACIÓN

Esta clavadora **NO** requiere lubricación regular para su funcionamiento normal. La lubricación se realiza durante períodos de servicio.

AVISO

La superficie de trabajo se podría dañar debido a la lubricación excesiva.

DISPARO DE LA HERRAMIENTA

Con la célula de combustible, la batería y los sujetadores cargados, la herramienta está lista para usar.

⚠ ADVERTENCIA *NUNCA use esta herramienta si el elemento de contacto de trabajo (WCE) no está funcionando adecuadamente.*

1. Coloque la herramienta donde se deba clavar el sujetador. NO tire del gatillo, ni siquiera sostenga la herramienta con el dedo en el gatillo hasta que se fije la posición sobre la pieza de trabajo (vea la Figura 20).
2. Presione el WCE contra la superficie de la pieza de trabajo hasta que esté en la posición totalmente presionada (vea la Figura 21).
3. Tire brevemente del gatillo y suéltelo. La herramienta completará un ciclo y clavará un sujetador en la pieza de trabajo.
4. Levante la herramienta de la superficie de la pieza de trabajo y el WCE volverá a la posición original. Se debe soltar el gatillo después de clavar cada sujetador para permitir que la herramienta se reajuste; el WCE no regresará a la posición original hasta que se suelte el gatillo.

Repita este proceso en la siguiente posición donde se necesite un sujetador.

⚠ PRECAUCION *Esta herramienta tiene una función de bloqueo contra los disparos sin carga (ADF por sus siglas en inglés) que no permitirá que la herramienta funcione cuando el suministro de clavos en el cargador haya alcanzado un conteo bajo de sujetadores. El conteo varía de 5 a 8 sujetadores dependiendo del tipo de calibre, recubrimiento, deformación de la espiga, etc.*

AVISO

NO intente presionar de modo forzado el WCE cuando se haya activado el ADF. PODRÍA ocurrir daño a la herramienta.

AJUSTE DE LA PROFUNDIDAD DEL SUJETADOR

⚠ ADVERTENCIA *NUNCA haga ajustes a la herramienta con sujetadores en el cargador. Retire los sujetadores del cargador para evitar descargas accidentales de sujetadores. Retire la célula de combustible y la batería antes de hacer los ajustes.*

1. Una vez retirados la célula de combustible, la batería y los sujetadores, afloje el tornillo de sombrerete de cabeza hueca de control de profundidad ajustable (ADC por sus siglas en inglés) con una llave allen de 4 mm (vea la Figura 22).
2. Si los clavos se clavan demasiado profundo en la superficie de trabajo, mueva el elemento de contacto de trabajo hacia abajo (o hacia afuera) del cuerpo de la herramienta (vea la Figura 23).
3. Si los clavos se clavan demasiado poco en la superficie de trabajo, mueva el elemento de contacto de trabajo hacia arriba (o hacia adentro) del cuerpo de la herramienta (vea la Figura 24).
4. Una vez realizados los ajustes, apriete el tornillo ADC. Vuelva a cargar el cargador de la herramienta, introduzca la célula de combustible y la batería. Clave otro sujetador. Si la profundidad del sujetador aún no es la correcta, repita los pasos anteriores.

GANCHO DE USO GENERAL

⚠ PRECAUCION *Si la herramienta se cae, existe un riesgo de malfuncionamiento mecánico. También existe un riesgo de lesión física si la herramienta descarga un sujetador como resultado de la caída.*

Use el gancho en la base del mango de la herramienta para asegurar la herramienta a un soporte sólido. Cuando use el gancho, tire el gancho totalmente hacia afuera de la herramienta. Si no usa el gancho, manténgalo cerrado para evitar que se enganche en el lugar de trabajo (vea la Figura 25). No use el gancho para atar la herramienta a su cuerpo.

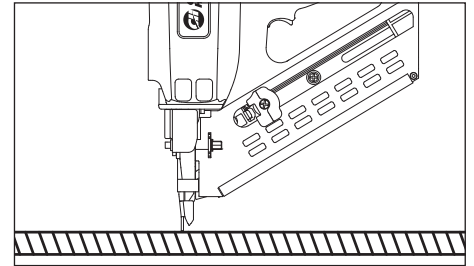


Figura 20

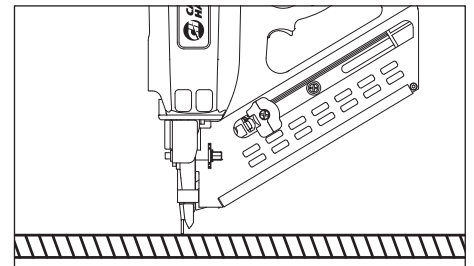


Figura 21

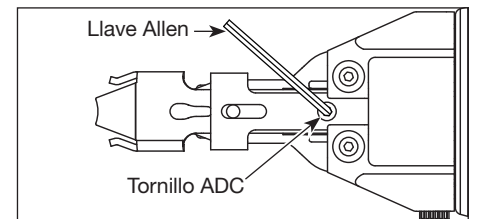


Figura 22

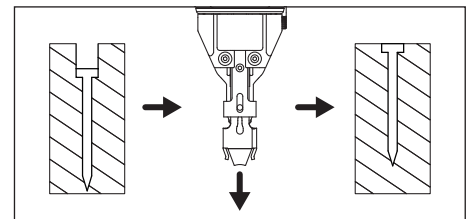


Figura 23

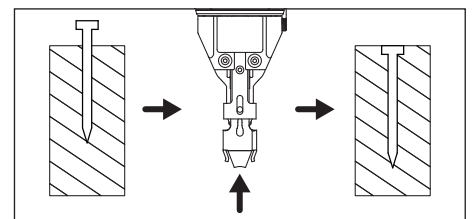


Figura 24

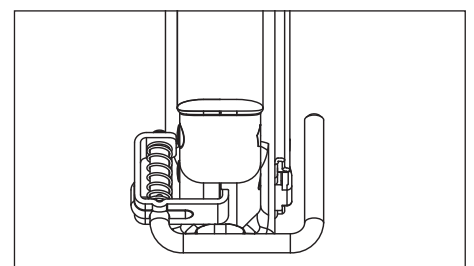


Figura 25

Mantenimiento

ELIMINAR UNA OBSTRUCCIÓN

⚠ ADVERTENCIA *SIEMPRE use gafas de seguridad que cumplan con ANSI Z87 cuando use la herramienta o haga cualquier ajuste o reparación.*

Si la herramienta se obstruye, haga lo siguiente para eliminar la obstrucción:

1. Retire la célula de combustible y la batería de la herramienta (vea la Figura 26).
2. Tire del impulsor de sujetadores hasta la parte inferior del cargador y quite todos los sujetadores restantes del cargador (vea la Figura 27).
3. Quite los tornillos de sombrerete de cabeza hueca con una llave allen (vea la Figura 28).
4. Tire del cargador y retírelo del ensamble del cabezal (vea la Figura 28). Quite los sujetadores atascados.
5. Vuelva a colocar el ensamble del cabezal y el cargador en la posición original. Introduzca y apriete los tornillos de sombrerete de cabeza hueca.

REPARACIÓN DE LA HERRAMIENTA Y PIEZAS DE REPUESTO

La herramienta deberá ser reparada únicamente por personal calificado, y deberán usar piezas de repuesto y accesorios originales Campbell Hausfeld, o piezas y accesorios que funcionen de manera equivalente.

⚠ ADVERTENCIA *Use solo repuestos originales Campbell Hausfeld. El desempeño de las herramientas, la seguridad y la duración pueden disminuir si no se utilizan los repuestos adecuados. Cuando ordene repuestos, especifique el número del repuesto.*

PROCEDIMIENTO DE ENSAMBLAJE PARA SELLOS Y PIEZAS MÓVILES

Cada vez que repare o le realice el mantenimiento a una clavadora deberá limpiarle y lubricarle las partes internas. Se debe usar un lubricante compatible en todos los anillos en O. A cada anillo en O se le debe dar un baño con el lubricante antes de instalarlo. Igualmente, deberá ponerles un poco de aceite a todas las superficies y pivotes que se mueven. Después del reensamblado se deben agregar unas pocas gotas de aceite no detergente 30W o uno equivalente una vez antes de usar para un funcionamiento normal.

FILTRO DE AIRE

Abra la puerta de la célula de combustible. Quite la tapa (rejilla) del escape de aire presionando sobre la rejilla y girándola levemente hacia afuera en dirección a la parte superior de la herramienta. La rejilla es lo que mantiene el filtro en su lugar; el filtro debería poder levantarse y quitarse fácilmente (vea la Figura 29). Retire todas las partículas grandes de la rejilla y lave con agua y jabón suave. Revise y limpie el filtro regularmente antes y después del uso regular. Recomendamos limpiar el filtro día por medio y antes y después de guardar la herramienta durante un período prolongado.

ALMACENAMIENTO

⚠ ADVERTENCIA *Guarde la herramienta adecuadamente con la célula de combustible y la batería quitadas. Retire todos los sujetadores de la herramienta.*

- ◆ Guarde la clavadora en un lugar fresco y seco. No la guarde en un lugar cálido ni en un lugar donde la temperatura posiblemente aumente a más de 49 °C (120 °F).
- ◆ Asegúrese de guardar la herramienta fuera del alcance de los niños; use el estuche para ayudar a asegurar la herramienta. Use el estuche para guardar los componentes de la herramienta por separado.

SERVICIO TÉCNICO

Para obtener información con relación al funcionamiento o reparación de este producto, sírvase llamar al 1-800-543-6400.

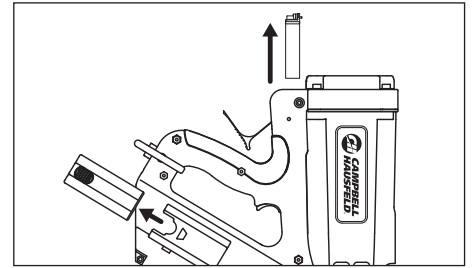


Figura 26

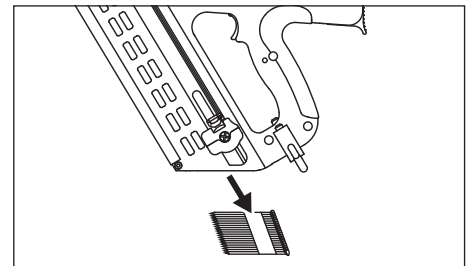


Figura 27

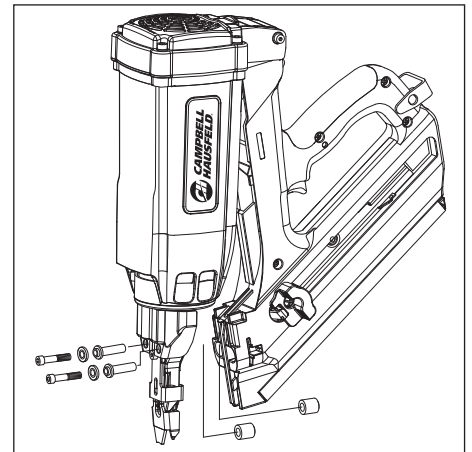


Figura 28

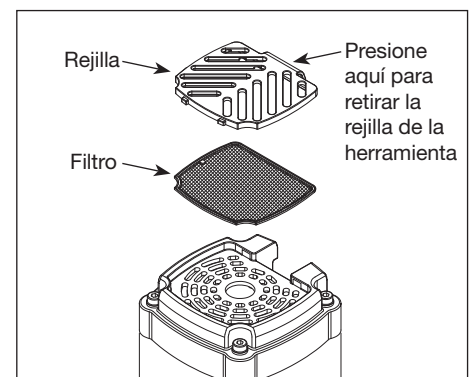


Figura 29

Guía de resolución de problemas

⚠ ADVERTENCIA Deje de usar la clavadora inmediatamente si alguno de los siguientes problemas ocurre. Podría resultar en heridas graves. Cualquier reparación o reemplazo de piezas los debe hacer un técnico calificado personal de un centro autorizado de servicio.

Problemas con la batería y/o el cargador de la batería

PROBLEMA	CAUSA	SOLUCIÓN
La batería no se carga cuando se coloca en el cargador de batería.	<ol style="list-style-type: none"> 1. Cargador defectuoso o en mal funcionamiento 2. Las luces LED del cargador de la batería o de la herramienta no están funcionando 3. La batería está dañada o el ciclo de vida de la batería ha vencido 	<ol style="list-style-type: none"> 1. Cambie el cargador. Llame al 1-800-543-6400 para obtener asistencia. 2. Introduzca la batería en la herramienta e intente hacerla funcionar normalmente. Si la herramienta no funciona, cambie el cargador. El suministro de energía o la base de carga no están enchufados. Llame al 1-800-543-6400 para obtener asistencia. 3. Cambie la batería. Llame al 1-800-543-6400 para obtener asistencia.
El ventilador de la herramienta funciona muy lentamente, no funciona y/o el LED de la herramienta en el mango de la herramienta está en rojo, parpadeando o fijo.	<ol style="list-style-type: none"> 1. La batería no está cargada 2. Los terminales de contacto de la batería están sucios u obstruidos 	<ol style="list-style-type: none"> 1. Cargue la batería. 2. Limpie los terminales de contacto de la batería con una tela de esmeril fina.
El cargador se calienta, hace ruidos fuertes, o genera humo durante el proceso de carga.	Cargador dañado	Deje de usar el cargador. Desenchufe el cargador. Cambie el cargador.

Problemas con la célula de combustible

PROBLEMA	CAUSA	SOLUCIÓN
La herramienta no clava sujetadores, pero el ventilador funciona y el LED en la herramienta está verde.	<ol style="list-style-type: none"> 1. La célula de combustible está vacía 2. La célula de combustible está dañada o tiene fugas 3. La válvula de medición expulsó el cabezal de la célula de combustible 4. La válvula de gas está dañada 	<ol style="list-style-type: none"> 1. Cambie la célula de combustible. 2. Cambie la célula de combustible. 3. Deje que la herramienta y la célula de combustible se enfríen. Vuelva a instalar la válvula de medición en la célula de combustible y reinstale la célula de combustible en la herramienta. 4. Deje que la herramienta y la célula de combustible se enfríen. Cambie la válvula de gas.

Problemas generales

PROBLEMA	CAUSA	SOLUCIÓN
El elemento de contacto de trabajo (WCE) no baja o no baja totalmente. El ventilador de la herramienta no funciona cuando se presiona el WCE.	<ol style="list-style-type: none"> 1. El WCE está doblado o dañado 2. El impulsor de sujetadores no está apoyado detrás de los sujetadores cargados 3. Tornillos flojos 4. El cargador está vacío o tiene poca carga 5. Problema con la batería 	<ol style="list-style-type: none"> 1. Revise si hay una obstrucción o sujetador atorado. NO ponga la herramienta en uso hasta que el WCE funcione correctamente. 2. Descargue el cargador y vuelva a cargarlo de acuerdo a las instrucciones de carga. 3. Revise las conexiones y apriete si fuera necesario. 4. Cargue los sujetadores. 5. Revise el color del LED de la herramienta. Si el LED está rojo, cargue la batería. Si el LED está verde, sírvase llame al distribuidor más cercano a su domicilio para obtener asistencia.

Guía de resolución de problemas

⚠ ADVERTENCIA Deje de usar la clavadora inmediatamente si alguno de los siguientes problemas ocurre. Podría resultar en heridas graves. Cualquier reparación o reemplazo de piezas los debe hacer un técnico calificado personal de un centro autorizado de servicio.

Problemas generales (Continuación)

SYMPTÔME	CAUSE(S) POSSIBLE(S)	ACTION CORRECTIVE
La herramienta funciona, pero no se clava ningún sujetador.	<ol style="list-style-type: none"> 1. Obstrucción de sujetadores 2. Malfuncionamiento del impulsor de sujetadores 3. El resorte del cargador está debilitado o dañado 4. Se cargó el tipo equivocado de sujetadores 5. El WCE está atorado o calzado 6. La herramienta saltó y/o el impulsor no se retrajo debido a una dificultad durante el funcionamiento 	<ol style="list-style-type: none"> 1. Elimine la obstrucción como se indica en la sección de Mantenimiento. 2. Descargue los sujetadores, revise el funcionamiento del impulsor de sujetadores y/o limpie el cargador. 3. Cambie el resorte en el cargador. Sírvase llame al distribuidor más cercano a su domicilio para obtener asistencia. 4. Quite los sujetadores y revise si son compatibles. Use únicamente sujetadores compatibles. 5. Revise que el WCE esté funcionando correctamente. 6. Quite los sujetadores, la batería y la célula de combustible. Presione manualmente el impulsor hacia atrás de la herramienta con un destornillador largo y fino.
Obstrucción de sujetadores. El impulsor de sujetadores está doblado.	<ol style="list-style-type: none"> 1. Se cargó el tipo equivocado de sujetadores 2. La paleta de impulsión está desgastada o dañada 	<ol style="list-style-type: none"> 1. Quite los sujetadores y revise si son compatibles. Use únicamente sujetadores compatibles. 2. Sírvase llame al distribuidor más cercano a su domicilio para obtener asistencia y por piezas de repuesto.
Los ciclos de la herramienta son débiles, inexactos o erráticos entre los diferentes disparos de sujetadores. La paleta de impulsión de la herramienta no funciona fácilmente ni regresa a la posición previa al disparo.	Válvula de escape y/o silenciador sucios <ol style="list-style-type: none"> 1. La paleta de impulsión está sucia o hay desechos en el pasaje 2. La paleta de impulsión está doblada 3. La válvula de escape está sucia o deformada debido al exceso de uso y el calor 4. El filtro está bloqueado o sucio; la herramienta está sobrecalentando 5. Tornillos flojos 	<p>Limpie con limpiador desengrasante (vea el manual de Instrucciones de limpieza). Repare o cambie la válvula deformada.</p> <ol style="list-style-type: none"> 1. Quite la batería y la célula de combustible, luego limpie el pasaje de la paleta de impulsión o quite los desechos. 2. No use la herramienta. Sírvase llamar al distribuidor más cercano a su domicilio para obtener asistencia. 3. Quite la batería, los sujetadores y la célula de combustible. Limpie si está sucia y cambie si está deformada. 4. Retire y limpie el filtro. 5. Revise las conexiones y apriete si fuera necesario.
La herramienta funciona correctamente, pero el sujetador no se clava completamente en la superficie de trabajo.	<ol style="list-style-type: none"> 1. El ajuste de profundidad de los sujetadores no se fijó correctamente 2. La célula de combustible tiene poca carga 3. Fuga en el sistema de combustible 	<ol style="list-style-type: none"> 1. Siga las instrucciones en la sección Funcionamiento para ver el Ajuste de profundidad del sujetador. 2. Revise la célula de combustible, la conexión de la válvula de medición y/o cámbiela por una nueva célula de combustible si fuera necesario. 3. Presione el WCE contra la superficie de trabajo y sosténgalo en su lugar durante unos segundos. Tire del gatillo para accionar la herramienta. El sujetador debería clavarse en la superficie de trabajo. Si no se clava ningún sujetador, es posible que haya una fuga en el sistema de entrega de combustible. Deje de usar y llame al distribuidor más cercano a su domicilio para obtener asistencia.

Guía de resolución de problemas

⚠ ADVERTENCIA *Deje de usar la clavadora inmediatamente si alguno de los siguientes problemas ocurre. Podría resultar en heridas graves. Cualquier reparación o reemplazo de piezas los debe hacer un técnico calificado personal de un centro autorizado de servicio.*

Problemas generales (Continuación)

SYMPTÔME	CAUSE(S) POSSIBLE(S)	ACTION CORRECTIVE
La herramienta funciona en forma errática. El LED de la herramienta está verde.	<ol style="list-style-type: none"> 1. La célula de combustible tiene poca carga 2. Malfuncionamiento de los componentes eléctricos 3. El filtro está bloqueado o sucio; la herramienta está sobrecalentando 4. La herramienta está sucia 5. El filtro está bloqueado o sucio; la herramienta está sobrecalentando 6. Tornillos flojos 	<ol style="list-style-type: none"> 1. Revise la célula de combustible. Cambie la célula de combustible si fuera necesario. 2. Sírvase llame al distribuidor más cercano a su domicilio para obtener asistencia. 3. Quite el elemento del filtro y límpielo; inspeccione el escape y quite cualquier desecho o bloqueo. Deje que la herramienta se enfríe si el puerto de escape está más tibio al tacto que durante el uso normal. 4. Limpie la herramienta. 5. Retire y limpie el filtro. 6. Revise las conexiones y apriete si fuera necesario.
La herramienta no dispara un sujetador cada vez que se tira del gatillo.	<ol style="list-style-type: none"> 1. Revise los sujetadores 2. Malfuncionamiento del impulsor de sujetadores 3. El resorte del cargador está debilitado o dañado 4. La paleta de impulsión está desgastada o dañada 5. Revise si la paleta de impulsión de la herramienta ha regresado a la posición previa al disparo 6. La paleta de impulsión está sucia o hay desechos en el pasaje 7. El filtro está bloqueado o sucio; la herramienta está sobrecalentando 8. Tornillos flojos 	<ol style="list-style-type: none"> 1. Quite los sujetadores y revise si son compatibles. Use únicamente sujetadores compatibles. 2. Descargue los sujetadores, revise el funcionamiento del impulsor de sujetadores y/o limpie el cargador. 3. Cambie el resorte en el cargador. Sírvase llame al distribuidor más cercano a su domicilio para obtener asistencia. 4. Sírvase llame al distribuidor más cercano a su domicilio para obtener asistencia y por piezas de repuesto. 5. Si la paleta de impulsión no está en la posición previa al disparo, no se tiró del gatillo en su totalidad. Presione el WCE contra un trozo de desecho de la superficie de trabajo y tire del gatillo. Esto debería hacer regresar la paleta de impulsión a la posición previa al disparo. Si no lo hace, quite los sujetadores, la batería y la célula de combustible. Sírvase llame al distribuidor más cercano a su domicilio para obtener asistencia. 6. Quite la batería y la célula de combustible, luego limpie el pasaje de la paleta de impulsión o quite los desechos. 7. Retire y limpie el filtro. 8. Revise las conexiones y apriete si fuera necesario.
La herramienta no clava sujetadores. El ventilador se enciende, está confirmado que la célula de combustible tiene combustible, y el WCE se mueve libremente.	<ol style="list-style-type: none"> 1. Bujía sucia o gastada 2. Revise el cableado para ver si hay roturas o enchufes desconectados 	<ol style="list-style-type: none"> 1. Reitere y limpie la bujía. Vuelva a introducir la bujía e intente poner en funcionamiento. Si aún no funciona, cambie la bujía. 2. Cambie la bujía y/o el arnés de cableado y/o el módulo eléctrico (en ese orden).

Ilustración de piezas de repuesto

Para Ordenar Repuestos o Asistencia Técnica, Sírvase Llamar al Distribuidor Más Cercano a Su Domicilio

Sírvase proporcionar la siguiente información:

- Número de modelo
- Número de serie (si tiene)
- Descripción y número de la pieza como se muestra en la lista de repuestos

Dirija toda la correspondencia a:

Campbell Hausfeld
Attn: Customer Service
100 Production Drive
Harrison, OH 45030 U.S.A.

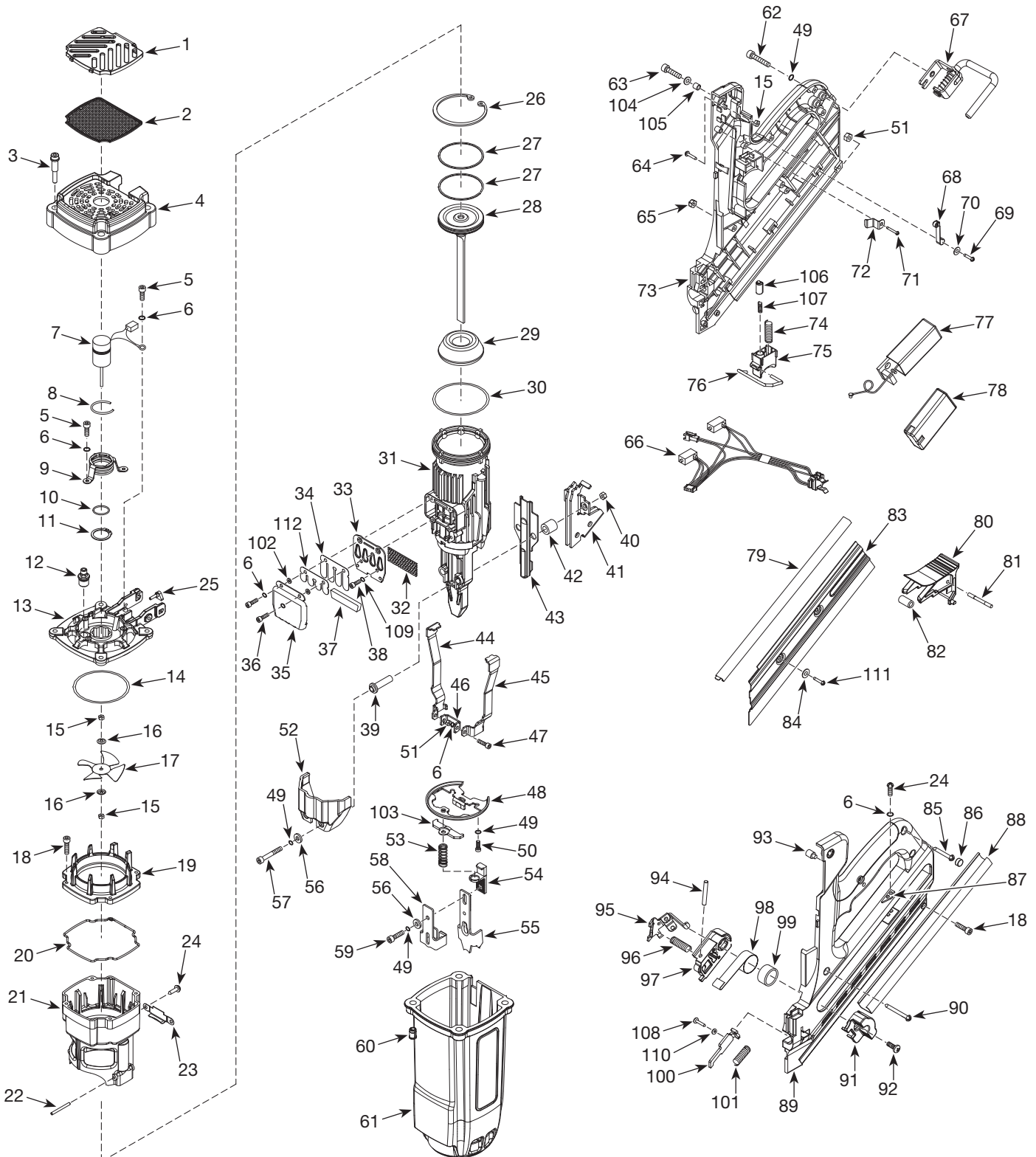


Figura 30

Lista de piezas de repuesto

No. de Ref.	Descripción	Número de Repuesto	Ctd.	No. de Ref.	Descripción	Número de Repuesto	Ctd.
1	Rejilla	▲	1	41	Guía de impulsión trasera	▶	1
2	Filtro	▲ ■	1	42	Buje posterior	▶	2
3	Tornillo de sombrerete de cabeza hueca	▲	4	43	Guía de impulsión delantera	▶	1
4	Cubierta superior	▲	1	44	Soporte del WCE derecho	✱	1
5	Tornillo de descarga a tierra, M4 x 10	●	4	45	Soporte del WCE izquierdo	✱	1
6	Arandela de resorte	● ✱ ✱ D	10	46	Conector del soporte del WCE	✱	1
7	Motor	●	1	47	Tornillo, 34 x 8	✱	2
8	Aro de cable	●	1	48	Placa de montaje del cilindro	✱	1
9	Soporte de montaje del motor	●	1	49	Arandela de resorte	▶ ✱ D	7
10	Anillo en O, 22 x 2	●	1	50	Tornillo, 10 - 24 x 14	✱	2
11	Anillo de retención	●	1	51	Tuerca, M4	✱ D	3
12	Bujía	NF000100AV ■	1	52	Cubierta del resorte del WCE	▶	1
13	Cabeza de cilindro	NF000200AV	1	53	Cubierta del resorte del WCE	✱	1
14	Anillo en O, 66.3 X 3.5	■	1	54	Placa de amarre del ADC	✱	1
15	Tuerca del eje del motor	●	3	55	Elemento de contacto (EC)	✱	1
16	Arandela	●	2	56	Arandela	▶ ✱	3
17	Paleta del ventilador	●	1	57	Tornillo de cabeza hueca del ADC, M5 x 55	▶	2
18	Tornillo, M4 x 16	◆ D	2	58	Soporte de ajuste del ADC	✱	1
19	Anillo de la cámara de combustión	◆	1	59	Tornillo, M5 x 12	✱	1
20	Sello de la cámara de combustión	■	1	60	Engaste roscado	△	4
21	Cámara de combustión	◆	1	61	Caja del cabezal	△	1
22	Pasador	◆	1	62	Tornillo, M5 x 16	D	1
23	Paleta de la cámara de combustión	■ ◆	1	63	Tornillo	D	2
24	Tornillo, M4 x 6	■ ◆ D	4	64	Tornillo	✱ D	1
25	Boquilla	■ ⊕	1	65	Tapa de tornillo de caucho (lado derecho), M4	D	4
26	Anillo de retención	■ ▼ ★	1	66	Ensamble del arnés de cableado e interruptor	○	1
27	Aro del pistón	▼	2	67	Gancho de uso general	D	1
28	Conjunto de arrastre	▼	1	68	Ensamble de la palanca de brazo de rodillo	○	1
29	Defensa	■	1	69	Tornillo	○	1
30	Anillo de sellado de acero	■ ★	1	70	Arandela	○	1
31	Cilindro	★	1	71	Tornillo	D	1
32	Tamiz	✱	1	72	Abrazadera	D	1
33	Deflector del escape	✱	1	73	Cubierta (lado derecho)	□	1
34	Válvula de membrana	■ ✱	1	74	Resorte del gatillo	◇	1
35	Protección	✱	1	75	Gatillo	◇	1
36	Tornillo	✱	2	76	Varilla de seguro del gatillo	◇	1
37	Silenciador	■ ✱	1	77	Módulo electrónico con LED	NF000300AV	1
38	Tornillo	✱	2	78	Batería recargable de ión de litio	NF000400AV	1
39	Buje delantero	▶	2	79	Guía de la cabeza del clavo	✱	1
40	Tuerca	▶	2	80	Puerta de la célula de combustible	▽	1

Ilustración de piezas de repuesto

**Para Ordenar Repuestos o Asistencia Técnica,
Sírvase Llamar al Distribuidor Más Cercano a Su Domicilio**

Sírvase proporcionar la siguiente información:

- Número de modelo
- Número de serie (si tiene)
- Descripción y número de la pieza como se muestra en la lista de repuestos

Dirija toda la correspondencia a:

Campbell Hausfeld
Attn: Customer Service
100 Production Drive
Harrison, OH 45030 U.S.A.

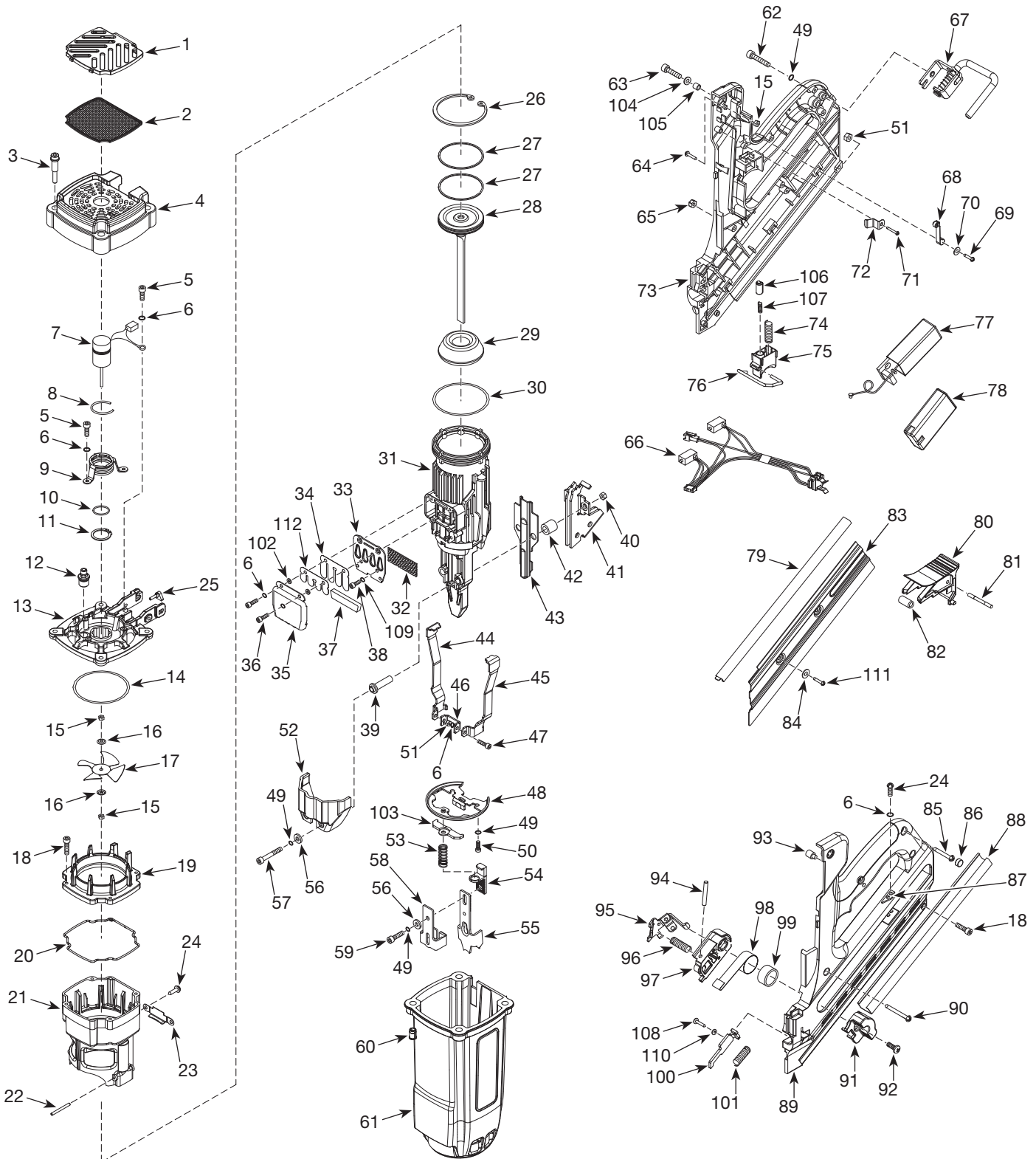


Figura 31

Lista de piezas de repuesto (Continuación)

No. de Ref.	Descripción	Número de Repuesto	Ctd.	No. de Ref.	Descripción	Número de Repuesto	Ctd.
81	Pasador de la puerta de la célula de combustible	▽	1	111	Tornillo	☆	1
82	Manga de caucho	▽	1	112	Soporte de la válvula de membrana	■ ✕	1
83	Placa de cubierta del cargador	⊗	1	113	Base de carga (no se muestra)	NF000500AV	
84	Arandela	⊗	2	114	Transformador de la base de carga (no se muestra)	NF000600AV	
85	Tornillo	D	3	115	Seguro de reemplazo para la caja (no se muestra)	NF002400AV	
86	Tapa de tornillo de caucho (lado izquierdo)	D	4	JUEGOS DE REPUESTOS			
87	Plato de retención del impulsor	D	1	▲	Juego de cubierta superior	NF000700AV	
88	Abrazadera del canal del cargador	□	1	■	Para el reacondicionamiento	NF000800AV	
89	Cubierta (lado izquierdo)	□D	1	●	Juego de motor del ventilador	NF000900AV	
90	Tornillo	D	1	◆	Ensamble de la cámara de combustión	NF001000AV	
91	Mango del impulsor	☆	1	▼	Ensamblaje del pistón	NF001100AV	
92	Tornillo	☆	1	★	Juego del cilindro	NF001200AV	
93	Tubo de luz LED	□	1	✕	Juego del escape	NF001300AV	
94	Pasador de presión	☆	1	◐	Juego de la guía de impulsión (incluye tuercas adicionales)	NF001400AV	
95	Impulsor	☆	1	♣	Elemento de contacto de trabajo	NF001500AV	
96	Resorte de empuje	☆	1	△	Juego de la caja del cabezal	NF001600AV	
97	Cubierta de impulsor	☆	1	□	Juego de la caja	NF001700AV	
98	Resorte espiral	☆	1	○	Juego del arnés de cableado e interruptor	NF001800AV	
99	Buje	☆	1	◇	Ensamblaje del gatillo	NF001900AV	
100	Placa de engranaje de ADF	☆	1	▽	Juego de la puerta de la célula de combustible	NF002000AV	
101	Resorte de ADF	☆	1	☆	Juego del ensamble del impulsor	NF002100AV	
102	Arandela	✕	2	⊗	Juego de guía de clavos	NF002200AV	
103	Bloque espaciador	♣	1	D	Juego de ferretería de la caja	NF002300AV	
104	Arandela	D	2	⊕	Juego de boquillas (juego de 2)	NF002500AV	
105	Buje	D	2	--	No disponible		
106	Cilindro del gatillo	◇	1				
107	Resorte del cilindro del gatillo	◇	1				
108	Tornillo	☆	1				
109	Arandela	✕	2				
110	Arandela de la abrazadera	☆	1				

Reminder: *Keep your dated proof of purchase for warranty purposes! Attach it to this manual or file it for safekeeping.*

Garantía Limitada

1. DURACION: A partir de la fecha de compra por el comprador original tal como se especifica a continuación: Un (1) año.
2. QUIEN OTORGA ESTA GARANTIA (EL GARANTE: Campbell Hausfeld / The Scott Fetzer Company 100 Production Drive, Harrison, Ohio 45030 Teléfono: (800) 543-6400
3. QUIEN RECIBE ESTA GARANTIA (EL COMPRADOR): El comprador original (que no sea un revendedor) del producto Campbell Hausfeld.
4. PRODUCTOS CUBIERTOS POR ESTA GARANTIA: Esta clavadora inalámbrica Campbell Hausfeld.
5. COBERTURA DE LA GARANTIA: Defectos importantes en los materiales y la mano de obra que ocurran durante la duración del período de garantía con las excepciones que se mencionan a continuación.
6. LO QUE NO ESTA CUBIERTO POR ESTA GARANTIA:
 - A. Las garantías implícitas, incluyendo aquellas de comercialidad E IDONEIDAD PARA FINES PARTICULARES, ESTAN LIMITADOS A LO ESPECIFICADO EN EL PARRAFO DE DURACION. Si este producto es empleado para uso comercial, industrial o para renta, la garantía será aplicable por noventa (90) días a partir de la fecha de compra. En algunos estados no se permiten limitaciones a la duración de las garantías implícitas, por lo tanto, en tales casos esta limitación no es aplicable.
 - B. CUALQUIER PERDIDA DAÑO INCIDENTAL, INDIRECTO O CONSECUENTE QUE PUEDA RESULTAR DE UN DEFECTO, FALLA O MALFUNCIONAMIENTO DEL PRODUCTO CAMPBELL HAUSFELD. En algunos estados no se permite la exclusión o limitación de daños incidentales o consecuentes, por lo tanto, en tales casos esta limitación o exclusión no es aplicable.
 - C. Cualquier fallo que sea el resultado de accidente, abuso o negligencia por parte del comprador o si no opera los productos según las instrucciones proporcionadas en el/los manual(es) del propietario que se entrega(n) con el producto. Dichos accidentes, abusos por parte del comprador, negligencia o falta de operar y limpiar los productos siguiendo las instrucciones también debe incluir la desconexión o modificación de los instrumentos de seguridad. Si dichos instrumentos de seguridad son desconectados o modificados, la garantía quedaría cancelada.
 - D. Ajuste y limpieza normales que se explican en el o los manuales del propietario incluidos con el producto.
 - E. Los artículos o servicios que son necesarios normalmente para mantener el producto, p. ej. anillos en O, resortes, paragolpes, paletas del impulsor, baterías, juntas, empaquetaduras o sellos, lubricantes, válvula de membrana, o cualquier otra pieza fungible o no mencionada específicamente. Estos artículos solamente estarán cubiertos durante noventa (90) días a partir de la fecha de compra original. Los artículos subrayados están garantizados por defectos en el material y la mano de obra únicamente.
7. RESPONSABILIDADES DEL GARANTE BAJO ESTA GARANTIA:

Según elija el Garante, la reparación o el reemplazo del producto o los componentes que estén defectuosos, que hayan funcionado en forma inadecuada y/o que no hayan cumplido con su función dentro de la duración del período específico de la garantía.
8. RESPONSABILIDADES DEL COMPRADOR BAJO ESTA GARANTIA:
 - A. Suministrar prueba fechada de compra y la historia de mantenimiento del producto.
 - B. Entregar o enviar el producto o componente Campbell Hausfeld al Centro de Servicio autorizado Campbell Hausfeld más cercano. Los gastos de flete, de haberlos, deben ser pagados por el comprador.
 - C. Seguir las instrucciones sobre operación y mantenimiento del producto, tal como se indica(n) en el (los) manual(es) del propietario.
9. CUANDO EFECTUARA EL GARANTE LA REPARACION O REEMPLAZO CUBIERTO BAJO ESTA GARANTIA: La reparación o reemplazo dependerá del flujo normal de trabajo del centro de servicio y de la disponibilidad de repuestos.

Esta garantía limitada es válida sólo en los EE.UU., Canadá y México y otorga derechos legales específicos. Usted también puede tener otros derechos que varían de un Estado a otro. o de un país a otro.

