

Exhaust Tube Kit for 80 Gallon Vertical Compressors

TF069000AJ

Description

This kit will replace the exhaust tube on an 80 gallon vertical air compressor. Use this instruction guide for proper assembly. This guide is designed to supplement the other instruction manuals included with this unit.

⚠WARNING

Carefully read all manuals and safety information before operating or servicing the compressor.

Parts Included

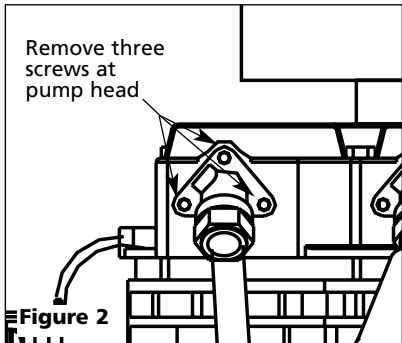
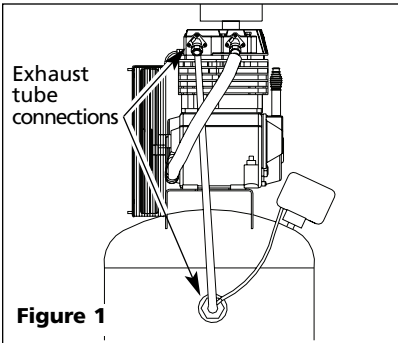
This kit comes with the following parts: Exhaust tube (part #TF069000AV), Compression fitting (part #ST072318AV), Ferrule (part #TF064400AV), Compression nut (part #ST072321AV)

Installation

TOOLS NEEDED: Adjustable wrench, T-30 Torx® bit, torque wrench, ruler, tubing cutter or hacksaw.

Before beginning, disconnect power cord from socket and release air from tank by pulling and holding ASME safety valve.

1. With wrench, loosen connections at top and bottom of old tube (Figure 1).
2. Using T-30 Torx® bit, remove three screws holding exhaust tube to pump head (Figure 2).



Installation (Continued)

3. With ruler, measure length of old tube, including any broken pieces. With tubing cutter or hacksaw, cut new tube to same length as old tube. **When cutting, make cut at bottom of tube as shown in Figure 3.**
4. Insert new compression nut over bottom of new tube. Insert new compression fitting and new ferrule over top of new tube.

NOTICE

Do not attempt to use old compression fitting, old ferrule, or old compression nut on new tube. Use only new parts provided with kit.

5. Insert new exhaust tube into top and bottom connections.
6. Reattach plate to pump head. With torque wrench, tighten plate screws to 80 in-lbs.
7. With wrench, tighten compression nut and compression fitting.

