

Please read and save these instructions. Read carefully before attempting to assemble, install, operate or maintain the product described. Protect yourself and others by observing all safety information. Failure to comply with instructions could result in personal injury and/or property damage! Retain instructions for future reference.



# Wire Feed Arc Welder



## Description

This line of Campbell Hausfeld wire feed welders is designed to be used on standard 115V household current. The welders are equipped with infinite wire speed control to accurately select the proper wire feed rate needed for various welding conditions. Internal components are thermostatically protected.

These welders are designed for use with Flux Core Arc Welding (Gasless) or Gas Metal Arc Welding (Mig) process. As delivered from the factory, this welder can weld with .024" (.6 mm) to .035" (.9 mm) diameter wire. A starter spool of .035" (.9 mm) flux-cored wire and a .040 tip are included.

## Unpacking

**Some welder components may be found in the wire feed compartment.**

When unpacking, inspect carefully for any damage that may have occurred during transit. Report any damaged or missing items by calling (800) 746-5641.

## Circuit Requirements

**CAUTION** This equipment requires a dedicated 115 volt circuit. Refer to the following chart for the correct circuit breaker or fuse rating. Do not run other appliances, lights, or tools on this circuit while operating this equipment. Extension cords are not recommended. Blown fuses and tripped circuit breakers can result from failure to comply with this recommendation.

Heat Selector	Circuit Breaker or Slow Blow Fuse	
Low (1-2)	15 amp	
High (3-4)	20 amp	

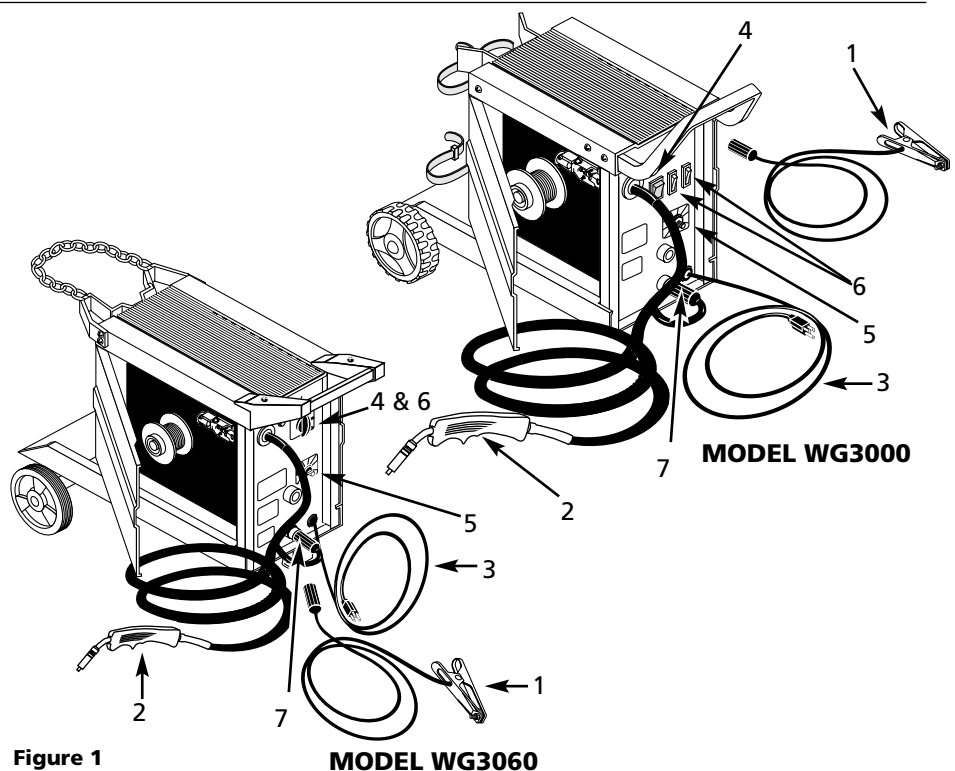


Figure 1 MODEL WG3060

## Components and Controls

- Work Clamp** - connect to work piece.
- Wire Feed Gun with .040 tip**
- Power Cord** - plug into 115 volt outlet.
- On/Off Switch**
- Infinite Wire Speed Control** - turns clockwise to increase wire speed and counterclockwise to decrease wire speed.
- Heat Selector** - Selects welding power. Four selections are possible
- Polarity Hook-up** - Attach torch cable to (+) for MIG and (-) for flux core wire.

## General Safety

**DANGER** Danger means a hazard that will cause death or serious injury if the warning is ignored.

**WARNING** Warning means a hazard that could cause death or serious injury if the warning is ignored.

**CAUTION** Caution means a hazard that may cause minor or moderate injury if the warning is ignored. It also may mean a hazard that will only cause damage to property.

**NOTE:** Note means any additional information pertaining to the product or its proper usage.

# Wire Feed Arc Welder

## General Safety

(Continued)

**⚠ WARNING** *Torch is "live" (has current potential) at all times when machine is turned on (WG3000 only).*

**⚠ WARNING**

*Always keep a fire extinguisher accessible while performing arc welding operations.*



- Before starting or servicing any electric arc welder, read and understand all instructions. Failure to follow safety precautions or instructions can cause equipment damage and/or serious personal injury or death.
- All installation, maintenance, repair and operation of this equipment should be performed by qualified persons only in accordance with national, state, and local codes.

**⚠ WARNING**

*Improper use of electric arc welders can cause electric shock, injury, and death!*



*Take all precautions described in this manual to reduce the possibility of electric shock.*

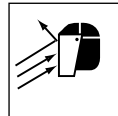
- Verify that all components of the arc welder are clean and in good condition prior to operating the welder. Be sure that the insulation on all cables, wire feed gun, and power cords is not damaged. Always repair or replace damaged components before operating the welder. Always keep welder panels, shields, etc. in place when operating the welder.
- Always wear dry, protective clothing and welding gloves, and insulated footwear.
- Always operate the welder in a clean, dry, well ventilated area. Do not operate the welder in humid, wet, rainy, or poorly ventilated areas.
- Be sure that the work piece is properly supported and grounded prior to beginning any electric arc welding operation.
- Coiled welding cable should be spread out before use to avoid overheating and damage to insulation.

**⚠ DANGER** *Never immerse the wire or wire feed gun in water. If the welder becomes*

*wet for any reason, be absolutely certain that it is completely clean and dry prior to attempting use!*

- Always shut the equipment off and unplug the power prior to moving the unit.
- Always attach the work lead first.
- Verify that the work piece is securely grounded.
- Always shut off electric arc welding equipment when not in use and, and cut off any excess wire from the wire feed gun.
- Never allow any part of the body to touch the flux core wire and ground or grounded work piece at the same time.
- Awkward welding conditions and positions can be electrically hazardous. When crouching, kneeling or at elevations, be sure to insulate all conductive parts, wear appropriate protective clothing, and take precautions to prevent injury from falls.
- Never attempt to use this equipment at current settings or duty cycles higher than those specified on the equipment labels.
- Never use an electric arc welder to thaw frozen pipes.

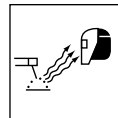
**⚠ WARNING**



*Flying sparks and hot metal can cause injury. As welds cool, slag can be thrown off. Take all precautions described in this manual to reduce the possibility of injury from flying sparks and hot metal.*

- Wear ANSI approved face shield or safety glasses with side shield protection when chipping or grinding metal parts.
- Wear ear plugs when welding overhead to prevent spatter or slag from falling into ears.

**⚠ WARNING**



*Electric arc welding operations produce intense light and heat and ultraviolet (UV) rays. This intense light and UV rays can cause injury to eyes and skin. Take all precautions described in this manual to reduce the possibility of injury to eyes and skin.*

- All persons operating this equipment or in the area while equipment is in use must wear protective welding gear including: welding helmet or shield with at least shade 10, flame resistant clothing, leather welding gloves, and full foot protection.

**⚠ WARNING**

*Never look at arc welding operations without eye protection as described above. Never use a shade filter lens that is cracked, broken, or rated below number 10. Warn others in the area not to look at the arc.*

**⚠ WARNING**

*Electric arc welding operations cause sparks and heat metal to temperatures that can cause severe burns! Use protective gloves and clothing when performing any metal working operation. Take all precautions described in this manual to reduce the possibility of skin and clothing burns.*



- Make sure that all persons in the welding area are protected from heat, sparks, and ultraviolet rays. Use additional face shields and flame resistant barriers as needed.
- Never touch work pieces until completely cooled.

**⚠ WARNING**



*Heat and sparks produced during electric arc welding and other metal working operations can ignite flammable and explosive materials! Take all precautions described in this manual to reduce the possibility of flames and explosions.*

- Remove all flammable materials within 35 feet (10.7 m) of welding arc. If removal is not possible, tightly cover flammable materials with fire proof covers.
- Do not operate any electric arc welder in areas where flammable or explosive vapors may be present.
- Take precautions to be sure that flying sparks and heat do not cause flames in hidden areas, cracks, behind bulkheads, etc.

**⚠ WARNING**



*Fire hazard! Do not weld on containers or pipes that contain or have contained flammable materials or gaseous or liquid combustibles.*

**⚠ WARNING**



*Arc welding closed cylinders or containers such as tanks or drums can cause explosion if not properly vented! Verify that any cylinder or container to be welded has an adequate ventilation hole, so that expanding gases can be released.*

## General Safety

(Continued)

### ⚠ WARNING

*Do not breathe fumes that are produced by the arc welding operation. These fumes are dangerous. If the welding area cannot be adequately ventilated, be sure to use an air supplied respirator.*



- Keep the head and face out of the welding fumes.
- Do not perform electric arc welding operations on metals that are galvanized or cadmium plated, or contain zinc, mercury, or beryllium without completing the following precautions:
  - a. Remove the coating from the base metal.
  - b. Make sure that the welding area is well ventilated.
  - c. Use an air-supplied respirator.
 Extremely toxic fumes are created when these metals are heated.

### ⚠ WARNING

*The electromagnetic field that is generated during arc welding may interfere with the operation of various electrical and electronic devices such as cardiac pacemakers. Persons using such devices should consult with their physician prior to performing any electric arc welding operations.*



- Route the wire gun and work cables together and secure with tape when possible.
- Never wrap arc welder cables around the body.
- Always position the wire gun and work leads so that they are on the same side of the body.
- Exposure to electromagnetic fields during welding may have other health effects which are not known.

### ⚠ WARNING

*Always be sure that the welding area is secure and free of hazards (sparks, flames, glowing metal or slag) prior to leaving. Be sure that equipment is turned off and excess wire is cut off. Be sure that cables are loosely coiled and out of the way. Be sure that all metal and slag has cooled.*

### ⚠ DANGER

*Cylinders can explode if damaged. Shielding gas*



*cylinders contain gas under high pressure. If damaged, a cylinder can explode. Since gas cylinders are normally part of the welding process, be sure to treat them carefully.*

- Protect compressed gas cylinders from excessive heat, mechanical shocks, and arcs.
- Install and secure cylinders in an upright position by chaining them to stationary support or equipment cylinder rack to prevent falling or tipping.
- Keep cylinders away from any welding or other electrical circuits.
- Never allow a welding electrode to touch any cylinder.
- Use only correct shielding gas cylinders, regulators, hoses, and fittings designed for the specific application; maintain them and associated parts in good condition.
- Turn face away from valve outlet when opening cylinder valve.
- Keep protective cap in place over valve except when cylinder is in use or connected for use.
- Read and follow instructions on compressed gas cylinders, associated equipment, and CGA publication P-1 listed in Safety Standards.

### ⚠ DANGER

*Never use flammable gases with MIG welders. Only inert or non-flammable gases such as carbon dioxide, argon, helium, or mixtures of one or more of these gases are suitable for MIG welding.*

### ⚠ WARNING

*Never lift cylinders off the ground by their valves, caps, or with chains or slings.*

#### ADDITIONAL SAFETY STANDARDS

**ANSI Standard Z49.1** from American Welding Society, 550 N.W. LeJune Rd. Miami, FL 33126

#### Safety and Health Standards

OSHA 29 CFR 1910, from Superintendent of Documents, U.S. Government Printing Office, Washington, D.C. 20402

#### National Electrical Code

NFPA Standard 70, from National Fire Protection Association, Batterymarch Park, Quincy, MA 02269

#### Safe Handling of Compressed Gases in Cylinders

CGA Pamphlet P-1, from Compressed Gas Association, 1235 Jefferson Davis Highway, Suite 501, Arlington, VA 22202

#### Code for Safety in Welding and Cutting

CSA Standard W117.2, from Canadian Standards Association, Standards Sales, 178 Rexdale Boulevard, Rexdale, Ontario, Canada M9W 1R3

#### Cutting And Welding Processes

NFPA Standard 51B, from National Fire Protection Association, Batterymarch Park, Quincy, MA 02269

#### Safe Practices For Occupational And Educational Eye And Face Protection

ANSI Standard Z87.1, from American National Standards Institute, 1430 Broadway, New York, NY 10018

Refer to the Material Safety Data Sheets and the manufacturers instructions for metals, wire, coatings and cleaners.

## Installation

Selecting the proper location can significantly increase performance, reliability and life of the arc welder.

- For best results locate the welder in an environment that is clean and dry. Dust and dirt in the welder retain moisture and increase wear of moving parts.
- Place the welder in an area that provides at least 12" (30,48 cm) of ventilation space at both the front and rear of the unit. Keep all obstructions away from this ventilation space.
- Store wire in a clean, dry location with low humidity to preserve the wire coating.
- The receptacle used for the welder must be properly grounded and the welder must be the only load on the power supply circuit. Refer to the Circuit Amps chart on page 1 for correct circuit capacity.
- The use of an extension cord is not recommended for electric arc welding machines. The voltage drop in the extension cord may significantly degrade the performance of the welder.

## Assembly

### Model WG3000

**Welder components listed below are in the wire feed compartment. Open and remove.**

#### HANDLE ASSEMBLY

1. Remove screws from handle. Slide handle between welder front panel



# Wire Feed Arc Welder

## Assembly (Continued)

and top cover aligning the holes in handle with holes in top cover.

2. Fasten screws through top cover and into handle.

### WHEEL AND AXLE ASSEMBLY

1. Insert axle supports into slots in the welder housing.
2. Insert axle through the axle supports and firmly push wheels onto axle.
3. Secure wheel with e-clips and wheel caps.

### GAS CYLINDER BRACKET ASSEMBLY

1. Place bracket on welder aligning the holes in welder housing.
2. Fasten screws through bracket and into cabinet.

### FOOT ASSEMBLY

1. Place foot on welder and align holes in the welder housing.
2. Fasten screws through foot into cabinet.

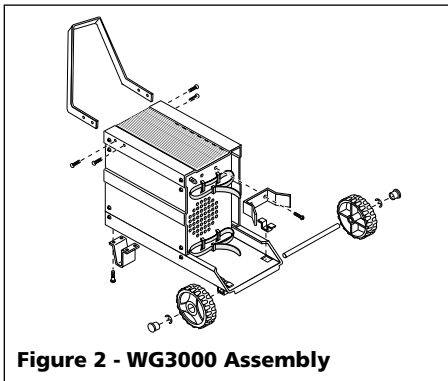


Figure 2 - WG3000 Assembly

## Model WG3060

### HANDLE ASSEMBLY

1. Place handle assembly on welder aligning the holes in welder front panel.
2. Fasten screws through handle ends and into cabinet.

### WHEEL AND AXLE ASSEMBLY

1. Attach axle on welder housing with attaching hardware.
2. Insert wheels onto axle and **lightly tap** in wheel caps.

### GAS CYLINDER BRACKET ASSEMBLY

1. Place bracket on welder aligning the holes in welder housing.
2. Fasten screws through bracket into cabinet.

### FOOT ASSEMBLY

1. Place foot on welder and align holes in the welder housing.

2. Fasten screws through foot into cabinet.

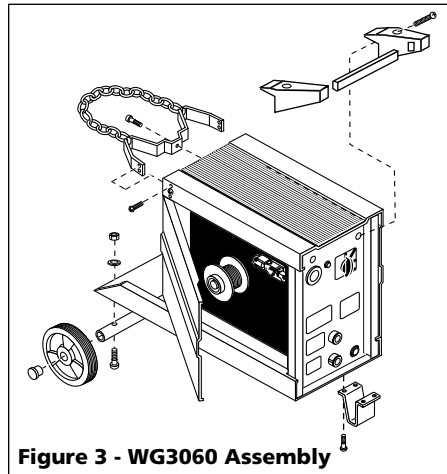


Figure 3 - WG3060 Assembly

### Work Clamp (All Models)

1. Loosen hex nut on work clamp.
2. Insert cord through clamp handle and slide bare wire under the clamp block. Tighten hex nut making sure bare wire is clamped securely (Figure 4).

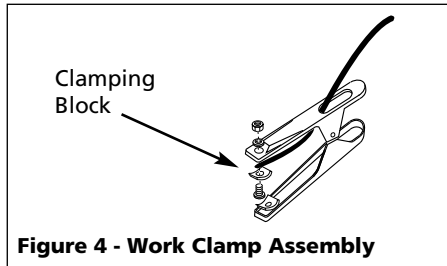


Figure 4 - Work Clamp Assembly

### Wire Installation

**⚠ WARNING** *Welding power may be applied to the output terminals, feed roll, work clamp, gun cable connection and welding wire even when the the gun switch is not activated. Do not touch these parts when the welding machine is on.*

**NOTE:** Before installing welding wire, be sure that the diameter of the welding wire matches the groove in the drive roller on the wire feed mechanism and the wire matches the contact tip in the end of the gun. A mismatch on any item could cause the wire to slip or bind.

1. Verify the unit is off and open the panel on the welder to expose the wire feed mechanism.
2. Remove the spool quick lock, by pushing in and rotating 1/4 turn counterclockwise. The knob, spring, and spool spacer can now be removed.

**NOTE:** Spool spacer and spindle spacer act as an 8" spool spindle adapter. Purchase of an adapter is not necessary.

\* See Figure 5 for assembly.

3. Loosen the wire feed tensioning screw on the drive mechanism. This allows initial feeding of the wire into the gun liner by hand.

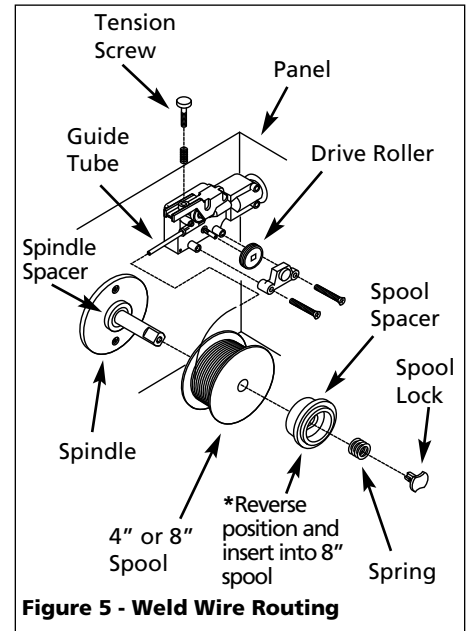


Figure 5 - Weld Wire Routing

4. Install the wire spool onto the spindle so that the wire can come off the spool on the end closest to the wire feed guide tube. **Do not cut the wire loose yet.** Install the spool spacer, spring, and quick lock knob by pushing in and turning the knob 1/4 rotation clockwise.
5. Hold the wire and cut the wire end from the spool. Do not allow the wire to unravel. Be sure that the end of the wire is straight and free of burrs.
6. Feed the wire through the wire feed guide tube, over the groove in the drive roll and into the gun liner. Tighten the wire feed tensioning screw so that it is snug. Do not over tighten.
7. Remove the nozzle by turning **counterclockwise**. Then unscrew the contact tip from the end of the welding torch (See Figure 6). Plug the welder into the proper power supply receptacle.

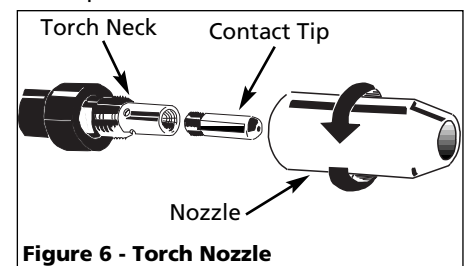


Figure 6 - Torch Nozzle

**HINT:** Keep torch cable straight when feeding wire.

8. Turn on the welder and set the wire speed rate to 5. Activate the gun

## Assembly (Continued)

switch until the wire feeds out past the torch end. Turn welder off.

- Carefully slip the contact tip over the wire and screw it into the torch neck. Install the nozzle by turning **clockwise** (See Figure 6). Cut the wire off approximately 1/4" from the end of the nozzle.

Contact Tip Markings		
Wire Size		mm
.024"	or	.6
.030"	or	.8
.035"	or	.9
.040"	or	1.0

### POLARITY

For gas shielded welding, connect the cable coming out of the torch to the (+) socket and the work clamp cable to the (-) socket on the front panel. For flux-core (no-gas) welding, connect torch to (-) and work clamp to (+).

### DUTY CYCLE / THERMOSTATIC PROTECTION

Welder duty cycle is the percentage of actual weld time that can occur in a ten minute interval. For example, at a 10% duty cycle, actual welding can occur for one minute, then the welder must cool for nine minutes.

Internal components of this welder are protected from overheating with an automatic thermal switch. A yellow lamp is illuminated on the front panel if the duty cycle is exceeded. Welding operations may continue when the yellow lamp is no longer illuminated.

## Welding Helmet Assembly

### MODEL WT1000

- Remove the lens retainer from the face shield with a regular screwdriver by prying against the shield and post of the lens retainer.
- Remove the protective film covering from both sides of each lens cover. Put one clear lens cover on each side of the shaded lens. Place these three lenses together into the face shield and secure with the lens retainer. The lens retainer should snap into the second notch in the face shield.

- Position one of the holes in the adjustment arm over the pins which are located in the ear area of the face shield. These adjustment arms control the closeness of fit and can be easily repositioned if necessary.
- Position the headgear inside the face shield. Assemble the helmet by inserting the stud screw through the headgear and shield into the tension nut as shown. Do not tighten tension nut completely.
- Trial fit the welding helmet. Adjust headgear ratchet band to a comfortable position and lower the face shield. If the shield is too far or too close to the face, use a different hole in the adjustment arm. Adjust the tension nuts so that helmet can be easily lowered over the face by nodding the head.

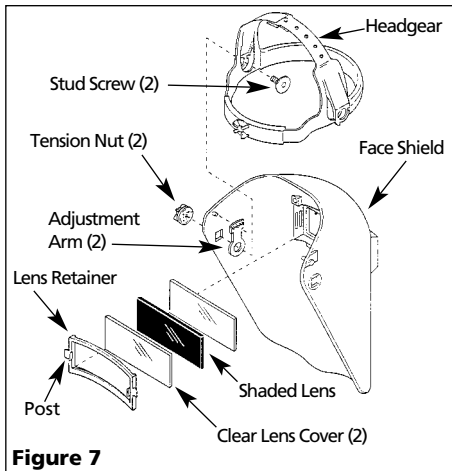


Figure 7

## Shielding Gas Installation

**⚠ DANGER** *Improper handling and maintenance of compressed gas cylinders and regulators can result in serious injury or death! Always secure gas cylinders to the tank bracket kit, a wall or other fixed support to prevent the cylinder from falling over. Read, understand, and follow all the compressed gases and equipment hazards in the safety instructions.*

**NOTE:** Shielding gas is not required if flux-cored welding wire is used.

### GAS TYPES

There are 3 types of gas generally used for gas metal arc welding; 100% argon, a mixture of 75% argon and 25% carbon dioxide (C25) or 100% carbon dioxide. However, 100% carbon

dioxide is not recommended due to unsatisfactory weld beads. This welder does not perform well with 100% carbon dioxide. The 75/25 mixture is recommended for general steel welding. For aluminum welding, use 100% argon. Cylinders of either type gas may be obtained at your local welding supply outlet. Secure cylinder in place on your welding machine or other support to prevent the cylinder from falling over.

**NOTE:** Use of incorrect gas may lead to little or no penetration of welding electrode (wire).

### REGULATOR

The regulator provides a constant shielding gas pressure and flow rate during the welding process. Each regulator is designed to be used with a specific gas or mixture of gases. The argon and argon mixture use the same thread type. The 100% carbon dioxide uses a different thread type. An adapter is available at your local welding gas supplier to change between the two.

### HOOKUP PROCEDURE

**⚠ WARNING** *Cylinder gas is under high pressure. Point cylinder outlet away from yourself and any bystanders before opening.*

- These units fit a 20 cubic ft bottle.
- With the cylinder securely installed, remove the cylinder cap, stand to the side of the cylinder opposite the outlet, and open the valve slightly, turning counterclockwise. When gas is emitted from the cylinder, close the valve by turning clockwise. This will blow out dust or dirt that may have accumulated around the valve seat.
- Install the regulator onto the cylinder valve, keeping the face of the gauges in the vertical position and tighten the stem nut securely to the gas valve.
- Install one end of the gas hose to the fitting on the rear of the welder and the other end to the fitting on the regulator using hose clamps on each connection. Make sure the gas hose is not kinked or twisted.
- Once again, stand opposite the cylinder outlet and slowly open the cylinder valve. Inspect for leaks in the connections.
- Pull the trigger on the gun to allow the gas to flow. While the trigger is pulled and gas is flowing, adjust the gas regulator to 30-35 cfh (cubic feet per hour)\*. Release the trigger.

# Wire Feed Arc Welder

## Shielding Gas Installation (Continued)

**\*NOTE:** Campbell Hausfeld regulator WT600100AV is factory preset at 30 cfh. No adjustment is necessary. Also, a pop-out indicator in the end of the regulator shows the amount of gas left in the cylinder. When not extended, there is approximately 10 minutes of welding left before the cylinder is empty.

- Remember to close the gas valve when finished welding.

## Operation

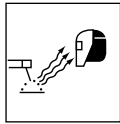
- Be sure to read, understand, and comply with all precautions in the General Safety Information section. Be sure to read the entire section entitled Welding Guidelines prior to using this equipment.



- Verify welder is off.
- Verify that the surfaces of metals to be joined are free from dirt, rust, paint, oil, scale or other contaminants. These contaminants make welding difficult and cause poor welds.

### ⚠ DANGER

All persons operating this equipment or in the area while equipment is in use must wear protective welding gear including: eye protection with proper shade, flame resistant clothing, leather welding gloves, and full foot protection.



### ⚠ CAUTION **WHETHER OR NOT THE TRIGGER IS PULLED, the WG3000 welding wire is LIVE whenever the welder is turned ON.**

### ⚠ WARNING

If heating, welding, or cutting materials that are galvanized, zinc plated, lead, or cadmium plated refer to the General Safety Information Section for instructions. Extremely toxic fumes are created when these metals are heated.



- Connect the work clamp to the work piece or workbench (if metal). Make sure the contact is secure. Avoid surfaces with paint, varnish, corrosion, or non-metallic materials.
- Position the Heat Selector on the front panel to the desired setting. See application decal inside door of

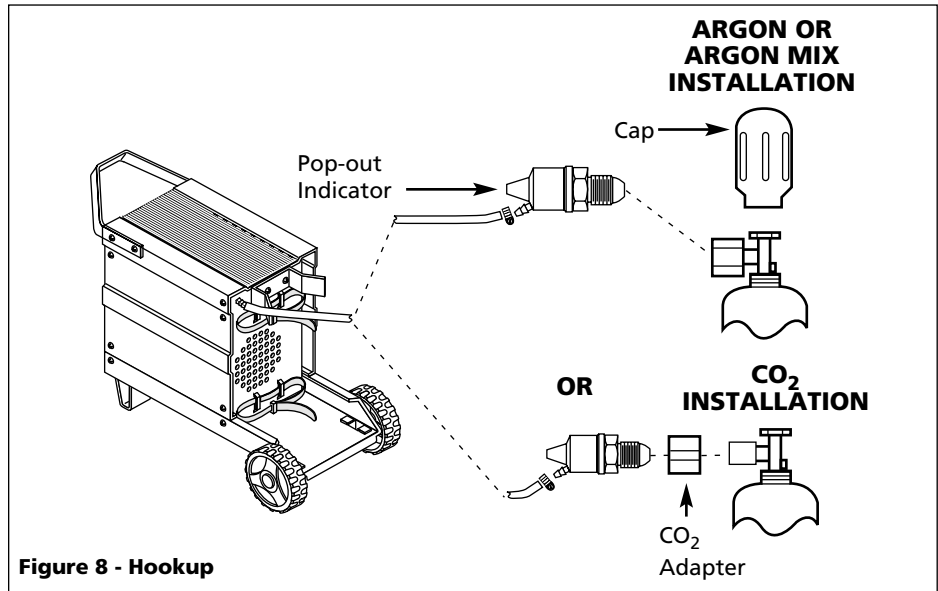


Figure 8 - Hookup

wire feed compartment for proper heat settings.

**NOTE:** These settings are general guidelines only. Heat setting may vary according to welding conditions and materials.

- Rotate the Wire Speed Control to setting number 5 to start with, then adjust as needed after test weld.
- Plug the input cord into a proper voltage receptacle with proper circuit capacity (See Chart under circuit requirements on page 1).
- Switch the welder ON.
- Verify that the wire is extended 1/4" from the contact tip. If not, squeeze the trigger to feed additional wire, release the trigger, and cut wire to proper length.
- Position the wire feed gun near the work piece, lower the welding helmet by nodding the head, or position the hand shield, and squeeze the gun trigger. Adjust heat setting and wire speed as needed.
- When finished welding, turn welder off and store properly.

## Maintenance

**⚠ WARNING** Disconnect power supply and turn machine off before inspecting or servicing any components. Keep the wire compartment cover closed at all times unless the wire needs replacement.

Before every use:

- Check condition of weld cables and immediately repair or replace any cables with damaged insulation.

- Check condition of power cord and immediately repair or replace any cord if damaged.
- Inspect the condition of the gun tip and nozzle. Remove any weld slag. Replace gun tip or nozzle if damaged.

### ⚠ WARNING Do not operate this welding machine

with cracked or missing insulation on welding cables, wire feed gun, or power cord.

Every 3 months:

- Replace any unreadable safety labels on the welder.
- Use compressed air to blow all dust and lint from the ventilation openings.
- Clean the wire groove on the drive roll. Remove wire from the feed mechanism, remove screws from the drive roll housing. Use a small wire brush to clean the drive roll. Replace if worn or damaged.

### Consumer and Wear Parts

The following parts require routine maintenance:

- Wire feed drive roller
- Gun liner - replace if worn
- Nozzle/contact tips
- Wire - this welder will accept either 4" or 8" diameter spools. Welding wire is susceptible to moisture and oxidizes over time, so it is important to select a spool size that will be used within approximately 6 months. For mild steel welding, AWS ER70S6 solid wire or AWS E71T-GS flux-core wire is recommended.
- Contact tips - use Campbell Hausfeld, Tweco®, and other compatible tips.

## Maintenance (Continued)

- Nozzle - use Tweco® style or compatible nozzle. Use Campbell Hausfeld nozzle model WT5021 found at place of purchase of welder, or use Tweco® style nozzle (or compatible nozzle) found at local welding supply store.

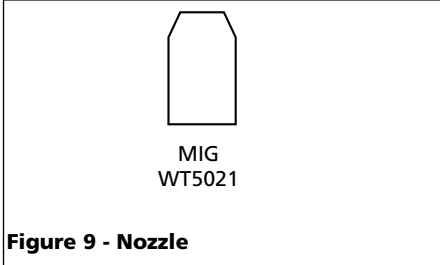


Figure 9 - Nozzle

## Changing Wire Sizes

### DRIVE ROLLER

There are two grooves in the Drive Roller. The small groove is for .024 (.6 mm) wire and the other is for .030 - .035 (.8 - .9 mm) wire. Remove the roller cover and flip the drive roll to choose the correct groove (see Parts Breakdown).

### FLUX CORE WIRE

Due to small inconsistencies in wire diameter, using one size larger tip is recommended. For example:

- If wire diameter is .030, use .035 tip.
- If wire diameter is .035, use .040 tip.

This welder is setup for .035 (.9 mm) wire and has a .040 tip. Since this welder uses .030 and .035 Flux Core Wire, the drive roller should be in its factory pre-set condition.

### MIG WIRE

Since MIG wire maintains fair wire diameter consistency, the contact tip used should match the wire size used. When using .024 (.6 mm) wire, use the small groove on the drive roller. When using .030 - .035 (.8 - .9 mm) MIG or Aluminum wire, use the factory set large groove.

### ALUMINUM WIRE

When using Aluminum wire, it is best to use a larger size tip than the wire size being used. For example:

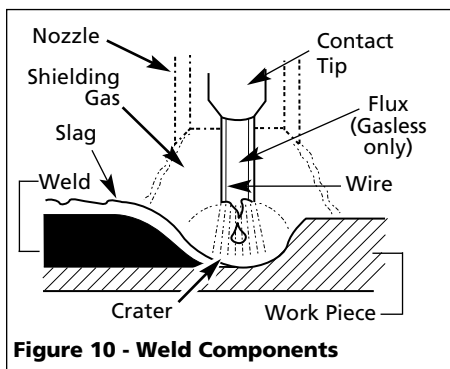
- If wire diameter is .030, use .035 tip.

When using .030 - .035 (.8 - .9 mm) MIG or Aluminum wire, use the factory set large groove. Aluminum wire is very weak and should not have the same tension on the drive roller as Flux Core or MIG wire should. When tensioning Aluminum wire down to the Drive Roller, turn the tension screw three full turns or until the Drive Roller begins to grip the wire and feed it through the torch cable.

**Call (800) 746-5641  
for replacement parts.**

## Welding Guidelines

### General



This line of welding machines can utilize the Flux Cored Arc Welding

(Gasless) process or the Gas Metal Arc Welding (MIG) process. The weld must be protected (shielded) from contaminates in the air while it is molten. The gasless process uses a tubular wire with a flux material inside. The flux creates a shielding gas when melted. The MIG process uses inert gas to shield the weld while molten. When current is produced by a transformer (welding machine) and flows through the circuit to the weld wire, an arc is formed between the end of the weld wire and the work piece. This arc melts the wire and the work piece. The melted metal of the weld

wire flows into the molten crater and forms a bond with the work piece as shown (Figure 10).

### Arc Welding Basics

Five basic techniques affect weld quality. These are: wire selection, heat setting, weld angle, wire speed, and travel speed. An understanding of these techniques is necessary for effective welds.

### HEAT SETTING

The correct heat involves the adjustment of the welding machine to the required setting. Heat or voltage is regulated by a switch on the welder.



# Wire Feed Arc Welder

## Welding Guidelines (Continued)

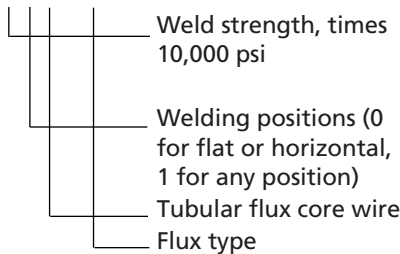
The heat setting used depends on the size (diameter) and type of wire, position of the weld, and the thickness of the work piece. Consult specifications listed on the welder. It is suggested that the welder practice with scrap metal to adjust settings and compare welds with Figure 12.

### WIRE TYPE AND SIZE

The correct choice of wire type involves a variety of factors, such as welding position, work piece material type, thickness and condition of surface to be welded. The American Welding Society, AWS, has set up certain requirements for each type of wire.

#### FLUX-CORE WIRE

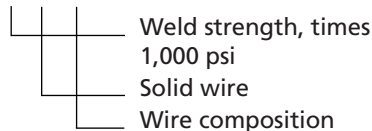
##### E - 70 T - GS



AWS E71T-GS or E71T-11 is recommended for this welder.

#### SOLID WIRE

##### ER - 70 S - 6



ER-70S6 is recommended for this welder.

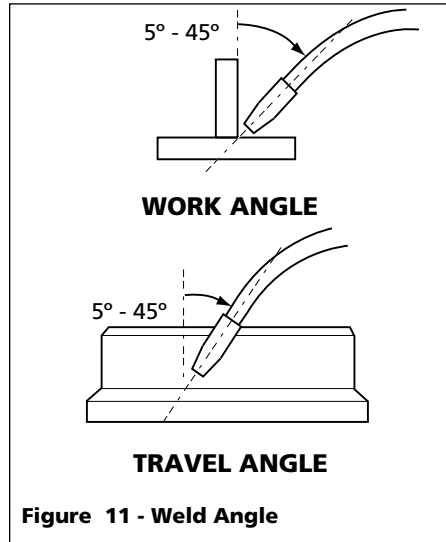
### WELD ANGLE

Weld angle is the angle at which the nozzle is held during the welding process. Using the correct angle ensures proper penetration and bead formation. As different welding positions and weld joints become necessary, nozzle angle becomes an increasingly important factor in obtaining a satisfactory weld. Weld angle involves two positions - travel angle and work angle.

Travel angle is the angle in the line of welding and may vary from 5° to 45°

from the vertical, depending on welding conditions.

Work angle is the angle from horizontal, measured at right angles to the line of welding. For most applications, a 45° travel angle and 45° work angle is sufficient. For specific applications, consult an arc welding handbook.



### WIRE SPEED

The wire speed is controlled by the knob on the front panel. The speed needs to be "tuned" to the rate at which the wire is being melted in the arc. Tuning is one of the most critical functions in wire feed welding. Tuning should be performed on a scrap piece of metal the same type and thickness as that to be welded. Begin welding with one hand "dragging" the gun nozzle across the scrap piece while adjusting the wire speed with the other hand. Too slow of speed will cause sputtering and the wire will burn up into the contact tip. Too fast a speed will also cause a sputtering sound and the wire will push into the plate before melting. A smooth buzzing sound indicates the wire speed is properly tuned. For **aluminum**, wire speed is typically set higher (7 - 9 speed range).

**NOTE:** Repeat the tuning procedure each time there is a change in heat setting, wire diameter or type, or work piece material type or thickness.

### TRAVEL SPEED

The travel speed is the rate at which the torch is moved across the weld area. Factors such as diameter and type

of weld wire, amperage, position, and work piece material thickness all affect the speed of travel necessary for completing a good weld (See Fig. 12). When the speed is too fast, the bead is narrow and bead ripples are pointed as shown. When the speed is too slow, the weld metal piles up and the bead is high and wide. For **aluminum**, travel speed is typically faster.

### SLAG REMOVAL (FLUX-CORE WIRE ONLY)

**WARNING** Wear ANSI approved safety glasses (ANSI Standard Z87.1) and protective clothing when removing slag. Hot, flying debris can cause personal injury to anyone in the area.

After completing the weld, wait for the welded sections to cool. A protective coating called slag now covers the weld bead which prevents contaminants in the air from reacting with the molten metal. Once the weld cools to the point that it is no longer glowing red, the slag can be removed. Removal is done with a chipping hammer. Lightly tap the slag with the hammer and break it loose from the weld bead. The final clean-up is done with a wire brush.

**NOTE:** When making multiple weld passes, remove the slag before each pass.

### WELDING POSITIONS

Four basic welding positions can be used; flat, horizontal, vertical, and overhead. Welding in the flat position is easier than any of the others because welding speed can be increased, the molten metal has less tendency to run, better penetration can be achieved, and the work is less fatiguing. Welding is performed with the wire at a 45° travel angle and 45° work angle.

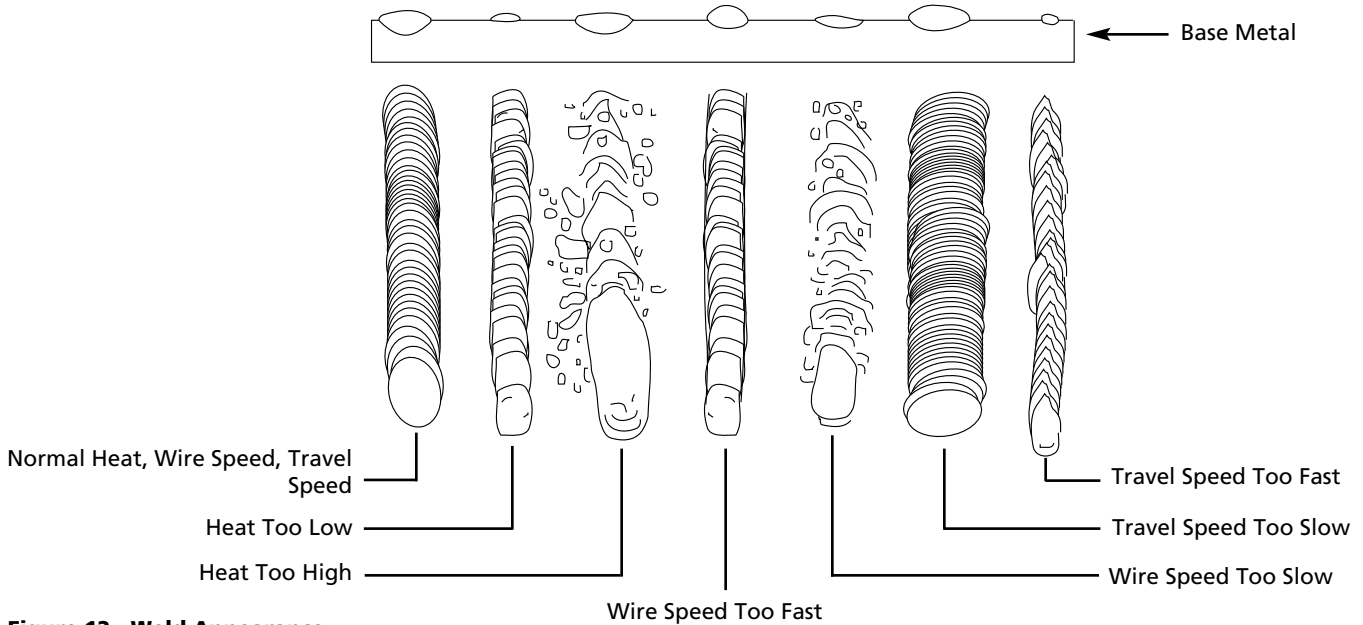
Other positions require different techniques such as a weaving pass, circular pass, and jogging. A higher skill level is required to complete these welds.

Overhead welding is the least desirable position as it is the most difficult and dangerous. Heat setting and wire selection will vary depending upon the position.

All work should be performed in the flat position if possible. For specific applications, consult an arc welding technical manual.



**Welding Guidelines (Continued)**

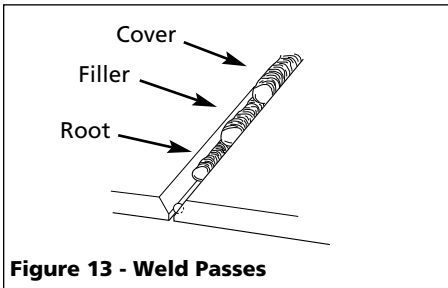


**Figure 12 - Weld Appearance**

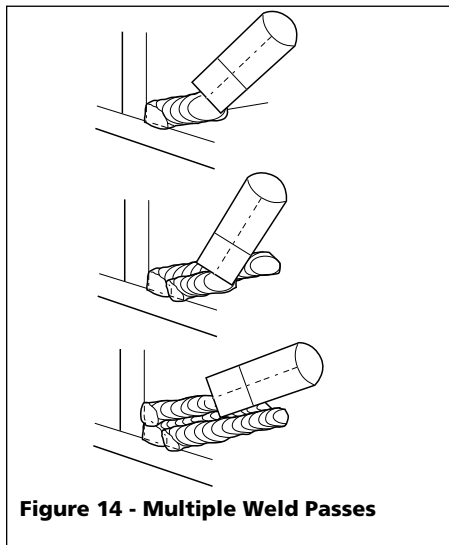
**WELD PASSES**

Sometimes more than one pass is necessary to fill the joint. The root pass is first, followed by filler passes and the cover pass. If the pieces are thick, it may be necessary to bevel the edges that are joined at a 60° angle.

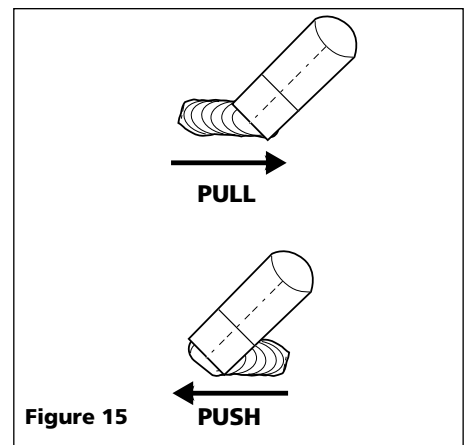
**NOTE:** Remember to remove the slag before each pass for gasless process.



**Figure 13 - Weld Passes**



**Figure 14 - Multiple Weld Passes**



**Figure 15**

**PUSH VS PULL TECHNIQUE**

The type and thickness of the work piece dictates which way to point the gun nozzle. For thin materials (18 gauge and up) and all aluminum, the nozzle should point out in front of the weld puddle and **push** the puddle across the workpiece. For thicker steel, the nozzle should point into the puddle to increase weld penetration. This is called backhand or **pull** technique (See Figure 15).

**ALUMINUM WELDING**

Any aluminum surface to be welded, must be cleaned thoroughly with a

stainless steel brush to eliminate any oxides on the **weld** and **grounding** surface. 100% Argon **must** be used when welding aluminum. If Argon is not used, metal penetration is unlikely.

**Supply Cable Replacement**

1. Verify that welder is OFF and power cord disconnected.
2. Remove welder cover to expose the ON/OFF switch.

3. Disconnect the black and white power cord wires connected to the ON/OFF switch.
4. Disconnect the green power cord wire connected to welder frame.
5. Loosen the cord strain screw(s) and pull cord out of strain relief.
6. Install new cord in reverse order.

## For Information About This Product, Call 1-800-746-5641

### Troubleshooting Chart - Welder

Symptom	Possible Cause(s)	Corrective Action
No output	<ol style="list-style-type: none"> <li>1. Duty cycle exceeded</li> <li>2. Poor work clamp connection</li> <li>3. Defective power switch</li> <li>4. Blown breaker or fuse</li> </ol>	<ol style="list-style-type: none"> <li>1. Allow welder to cool until ON/OFF Switch lamp goes out</li> <li>2. Be sure all connections are secure, and attaching surface is clean</li> <li>3. Replace switch</li> <li>4. Reduce circuit load, reset breaker or replace fuse</li> </ol>
Wire tangles at drive roller	<ol style="list-style-type: none"> <li>1. Wrong size gun tip</li> <li>2. Gun liner clogged or damaged</li> <li>3. Gun tip clogged or damaged</li> <li>4. Feed roller worn</li> <li>5. Not enough tension</li> </ol>	<ol style="list-style-type: none"> <li>1. Use proper size gun tip</li> <li>2. Clean or replace gun liner</li> <li>3. Clean or replace gun tip</li> <li>4. Replace</li> <li>5. Tighten tensioning screw</li> </ol>
Gun nozzle arcs to work surface	Slag inside gun nozzle	Clean slag from gun nozzle
Work clamp and/or cable gets hot	<ol style="list-style-type: none"> <li>1. Poor contact</li> <li>2. Using an extension cord with excessive length</li> </ol>	<ol style="list-style-type: none"> <li>1. Be sure all connections are secure, and attaching surface is clean</li> <li>2. Never use an extension cord longer than 20 ft</li> </ol>
Wire does not feed	<ol style="list-style-type: none"> <li>1. Wire jammed</li> <li>2. Out of wire</li> <li>3. Not enough tension</li> <li>4. Wire liner worn</li> <li>5. Fuse blown</li> <li>6. Wire disconnected internally</li> <li>7. Contact tip clogged</li> </ol>	<ol style="list-style-type: none"> <li>1. Reload wire</li> <li>2. Replace wire spool</li> <li>3. Tighten tensioning screws if wire is slipping</li> <li>4. Replace liner</li> <li>5. Replace fuse on wire feed control board inside welder, (1.6 amp time delay)</li> <li>6. Call 1-800-746-5641 for assistance</li> <li>7. Replace contact tip</li> </ol>
(Aluminum) Wire burns back into tip or (Aluminum) Metal bubbles or burns through	<ol style="list-style-type: none"> <li>1. Wire speed too slow</li> <li>2. Travel speed too slow or heat is too high</li> </ol>	<ol style="list-style-type: none"> <li>1. Run speed in 7 - 10 range</li> <li>2. Increase the travel speed or reduce heat settings</li> </ol>

### Troubleshooting Chart - Welds

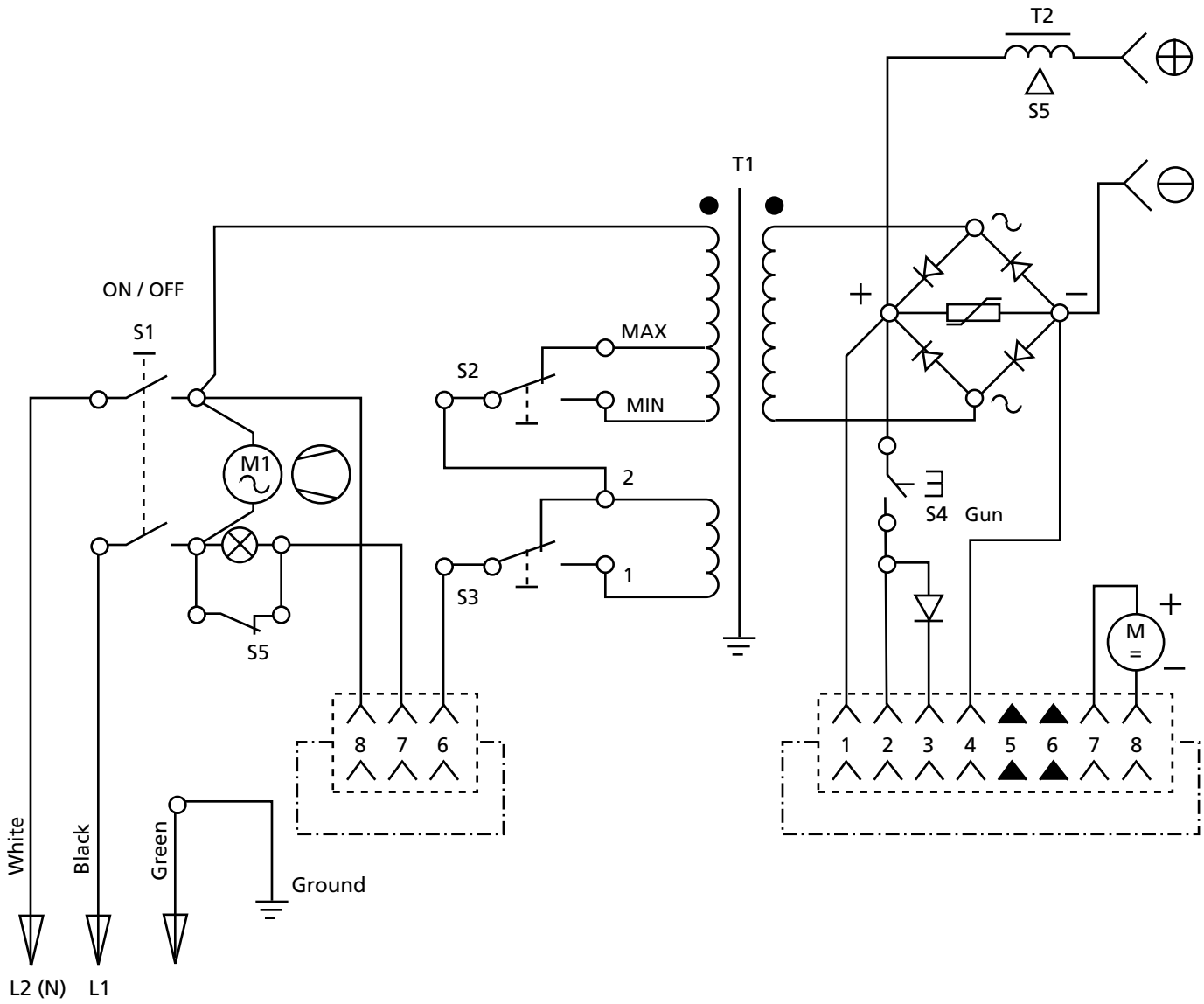
Symptom	Possible Cause(s)	Corrective Action
Bead is intermittently too thin	<ol style="list-style-type: none"> <li>1. Inconsistent travel speed</li> <li>2. Output heat setting too low</li> </ol>	<ol style="list-style-type: none"> <li>1. Decrease and maintain constant travel speed</li> <li>2. Increase output heat setting</li> </ol>
Bead is intermittently too thick	<ol style="list-style-type: none"> <li>1. Slow and/or inconsistent travel speed</li> <li>2. Output heat setting too high</li> </ol>	<ol style="list-style-type: none"> <li>1. Increase and maintain travel speed</li> <li>2. Reduce output heat setting</li> </ol>
Ragged depressions at edge of weld	<ol style="list-style-type: none"> <li>1. Travel speed too fast</li> <li>2. Wire speed too fast</li> <li>3. Output heat setting too high</li> </ol>	<ol style="list-style-type: none"> <li>1. Decrease travel speed</li> <li>2. Decrease wire speed</li> <li>3. Reduce output heat setting</li> </ol>
Weld bead does not penetrate base metal	<ol style="list-style-type: none"> <li>1. Inconsistent travel speed</li> <li>2. Output heat setting too low</li> <li>3. No or low shielding gas</li> <li>4. Wrong shielding gas (aluminum)</li> <li>5. Extension cord is too long</li> <li>6. (Aluminum) Possible oxide build-up on surface</li> </ol>	<ol style="list-style-type: none"> <li>1. Decrease and maintain constant travel speed</li> <li>2. Increase output heat setting</li> <li>3. Use gas for MIG process or refill bottle</li> <li>4. Use only 100% Argon gas</li> <li>5. Never use an extension cord longer than 20 ft</li> <li>6. Clean surface thoroughly with a stainless steel brush only</li> </ol>
Wire sputters and sticks	<ol style="list-style-type: none"> <li>1. Damp wire</li> <li>2. Wire speed too fast</li> <li>3. Wrong type of wire</li> <li>4. No or low shielding gas</li> </ol>	<ol style="list-style-type: none"> <li>1. Use dry wire and store in dry location</li> <li>2. Reduce wire speed</li> <li>3. Use flux core wire when not using gas</li> <li>4. Use gas for MIG process or refill bottle</li> </ol>

## Limited 5-3-1 Warranty

1. **Duration:** The manufacturer warrants that it will repair, at no charge for parts or labor, the Welder, Welding Gun, or Cables, proven defective in material or workmanship, during the following time period(s) after date of original retail purchase:
  - For 5 Years: The Welder Transformer and Rectifier
  - For 3 Years: The Entire Welder (excluding clamps, welding gun, electrode holder, cables, or accessories packed with welder)
  - For 1 Year: The Welding Clamps, MIG Gun, Electrode Holder, Accessories, and Welding Cables (as applicable)
2. **Who Gives This Warranty (Warrantor):**  
 The Campbell Group / A Scott Fetzer Company  
 100 Production Drive  
 Harrison, OH 45030  
 Telephone: (513)-367-4811
3. **Who Receives This Warranty (Purchaser):** The original purchaser of the Campbell Hausfeld product.
4. **What is covered under this warranty:** Defects in material and workmanship which occur within the duration of the warranty period. This warranty extends to the Welder, the Welders Transformer and Rectifier, Welding Gun or Electrode Holder, and cables only.
5. **What is not covered under this warranty:**
  - A. Implied warranties, including those of merchantability and FITNESS FOR A PARTICULAR PURPOSE ARE LIMITED IN DURATION TO THIS EXPRESS WARRANTY. After this period, all risks of loss, from whatever reason, shall be on the purchaser. Some states do not allow limitations on how long an implied warranty lasts, so above limitations may not apply to you.
  - B. ANY INCIDENTAL, INDIRECT, OR CONSEQUENTIAL LOSS, DAMAGE, OR EXPENSE THAT MAY RESULT FROM ANY DEFECT FAILURE OR MALFUNCTION OF THE CAMPBELL HAUSFELD PRODUCT. Some states do not allow limitations on how long an implied warranty lasts, so above limitations may not apply to you.
  - C. This warranty does not apply to any accessory items included with the product which are subject to wear from usage; the repair or replacement of these items shall be at the expense of the owner. These MIG items include but are not limited to; Contact Tips, Nozzles, Gun Liners, Drive Rollers, Felt Wire Cleaner. In addition, this warranty does not extend to any damage caused by the untimely replacement or maintenance of any of the previously listed CONSUMABLE parts.
  - D. Any failure that results from accident, purchaser's abuse, neglect or failure to operate products in accordance with instructions provided in the owner's manual(s) supplied with the product.
  - E. Pre-delivery service, i.e. assembly and adjustment.
7. **Responsibilities of Warrantor under this warranty:** Repair or replace, at Warrantor's option, products or components which have failed within duration of the warranty period.
8. **Responsibilities of purchaser under this warranty:**
  - A. Deliver or ship the Campbell Hausfeld product or component to Campbell Hausfeld. Freight costs, if any, must be borne by the purchaser.
  - B. Use reasonable care in the operation and maintenance of the products as described in the owner's manual(s).
9. **When Warrantor will perform repair or replacement under this warranty:** Repair or replacement will be scheduled and serviced according to the normal work flow at the servicing location, and depending on the availability of replacement parts.

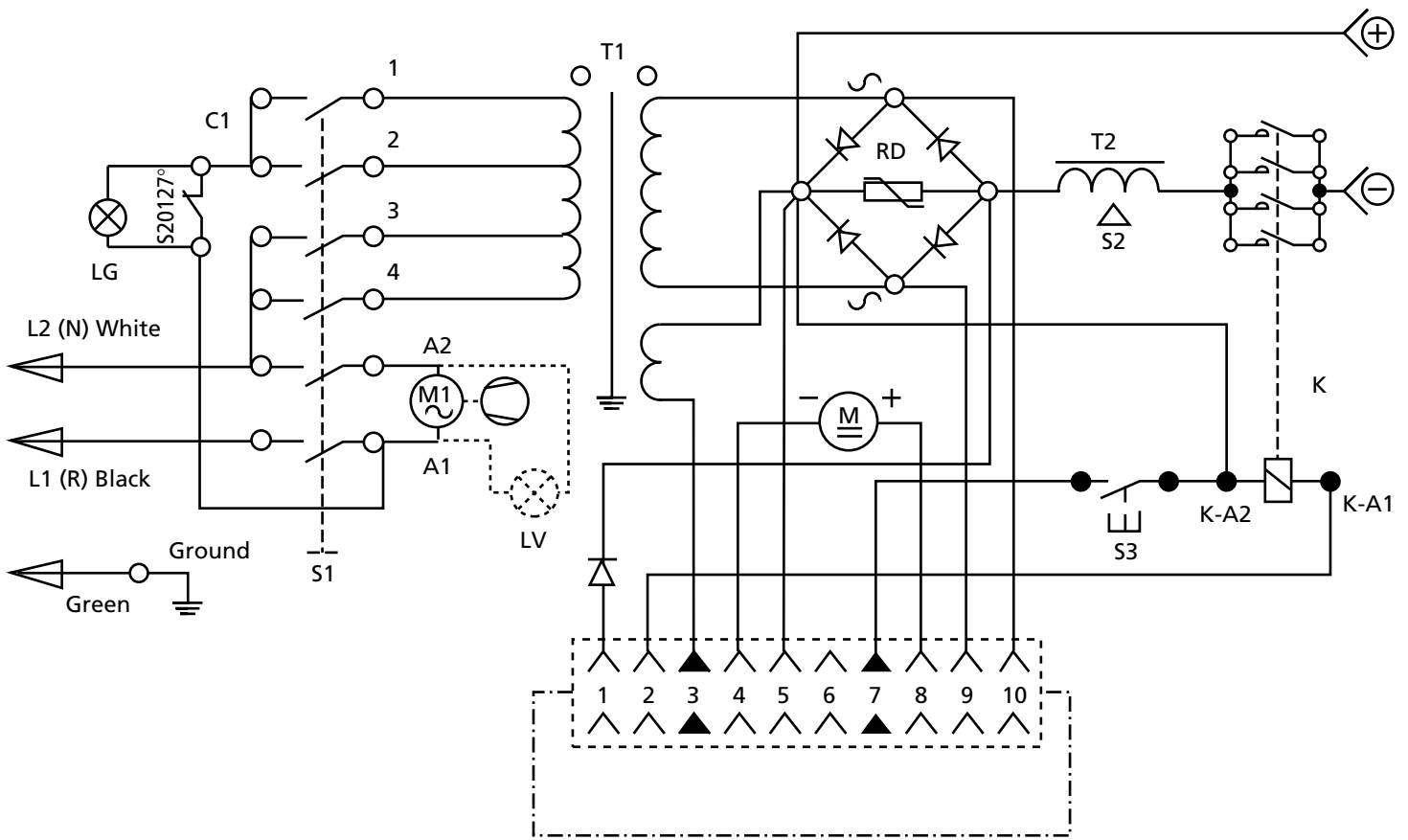
This Limited Warranty gives you specific legal rights and you may also have other rights which vary from state to state.

**WG3000 Wiring Diagram**

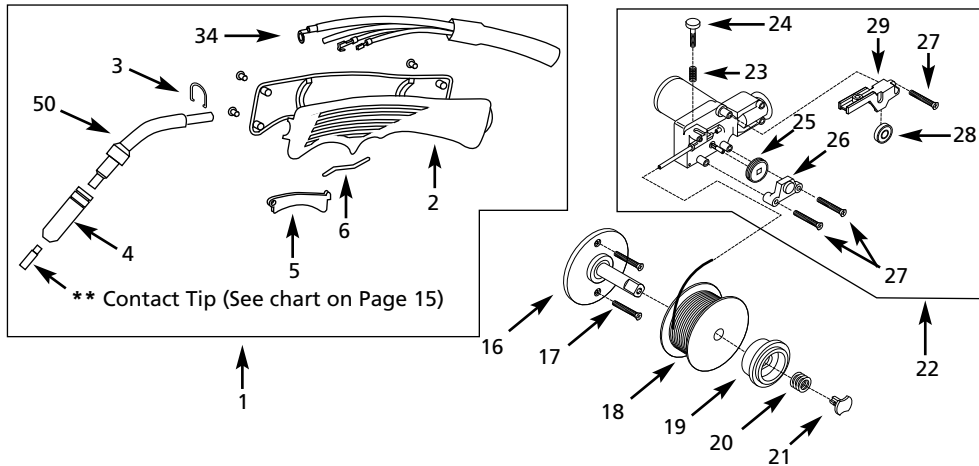




**WG3060 Wiring Diagram**



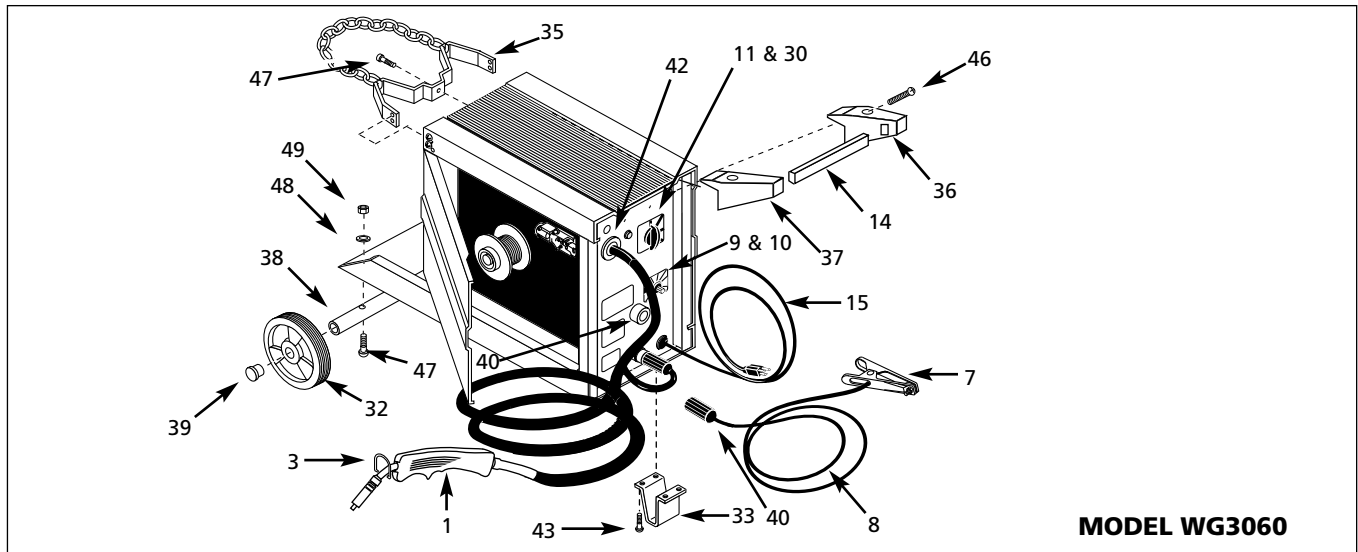
**For Replacement Parts, call 1-800-746-5641**



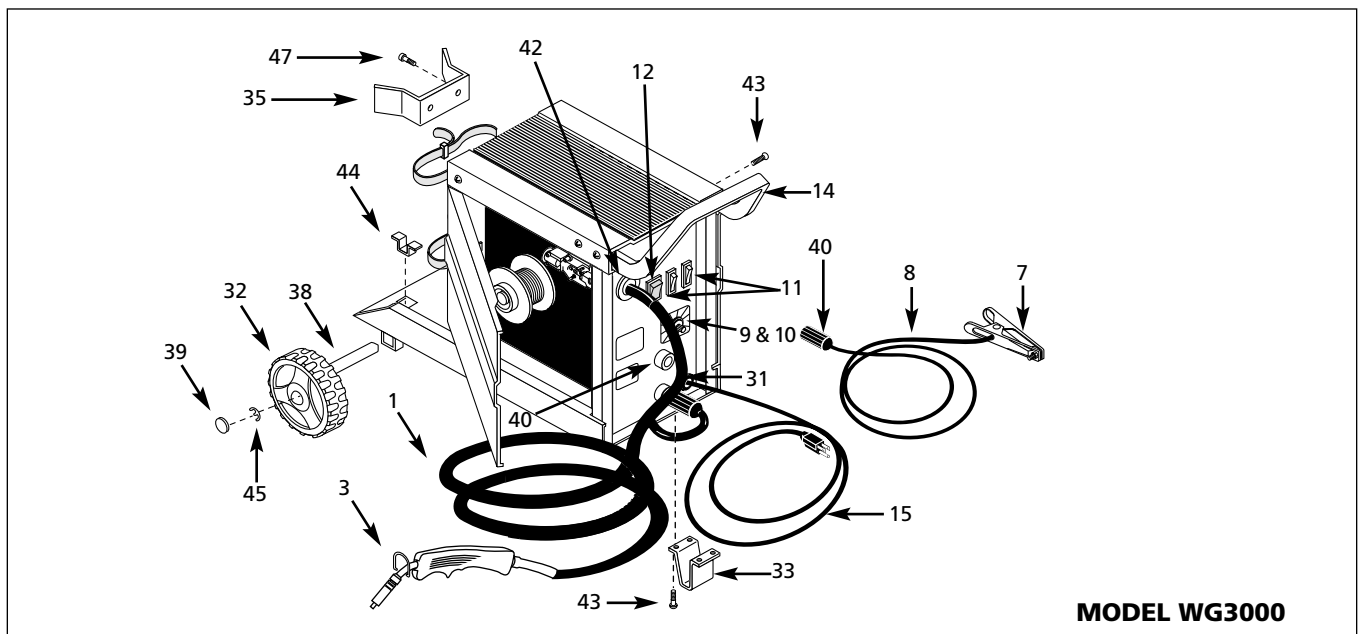
Please provide following information:

- Model number
- Serial number (if any)
- Part description and number as shown in parts list

Address parts correspondence to:  
 The Campbell Group  
 Attn: Parts Department  
 100 Production Drive  
 Harrison, Ohio 45030 U.S.A.



**MODEL WG3060**



**MODEL WG3000**

## Replacement Parts List - Models WG3000 and WG3060

Ref No.	Description	Part Number for Models:		Qty
		WG3000	WG3060	
1	Torch assembly and hose (Includes Nos. 2-6, 34 and 50)	WC600700AV	WC600700AV	1
2	Torch body, front and back	WC600201AV	WC600201AV	1
3	Hanger clip	WC600003AV	WC600003AV	1
4	Nozzle, Tweco® Style	WT502100AJ	WT502100AJ	1
5	Trigger knob	WC600202AV	WC600202AV	1
6	Torch contact spring	WC600203AV	WC600203AV	1
7	Work clamp (Cord not included)	WC100100AV	WC100100AV	1
8	Welding cable 8 AWG (6 ft)	*	*	1
9	Wire speed knob	WC400201AV	WC400201AV	1
10	Wire speed control board	WC400200AV	WC400600AV	1
11	Heat selector switch	WC400300AV	—	2
	Heath selector switch	—	WC400500AV	1
12	On/off switch	WC400000AV	—	1
13	Safety decal	DK670100AV	DK670100AV	1
14	Handle	WC300600AV	WC300700AV	1
15	Power cord 14-3 AWG (6 ft) Type SJT	WC000100AV	WC000100AV	1
16	Spool spindle	WC500300AV	WC500300AV	1
17	#10-32 x .5" Pan head sheet metal screw	*	*	2
18	Wire-flux core .035" (.9mm) diameter	WE200500AJ	WE200500AJ	1
19	Spool adapter	WC500200AV	WC500200AV	1
20	Spool spring	WC500101AV	WC500101AV	1
21	Spool locking hub	WC500100AV	WC500100AV	1
22	Drive deck assembly (Includes Nos. 23-29)	WC500000AV	WC500400AV	1
23	Tension spring	WC500003AV	WC500003AV	1
24	Tension screw	WC500002AV	WC500002AV	1
25	Roller .6-.9mm (.024-.035 in.)	WC500001AV	WC500001AV	1
26	Roller cover	WC500004AV	WC500004AV	1
27	#8-36 x 1.5" Pan head screw	*	*	3
28	Swing arm	WC500005AV	WC500005AV	1
29	Swing arm roller	WC500007AV	WC500007AV	1
30	Heat selector knob	—	WC400401AV	1
31	Strain relief	WC102000AV	WC102000AV	2
32	Wheel	WC701200AV	WC701300AV	2
33	Front foot	WC702100AV	WC702300AV	1
34	Liner, metal	WC600007AV	WC600007AV	1
35	Gas cylinder bracket	WC702200AV	WC702400AV	1
36	Handle support (Right)	—	WC300800AV	1
37	Handle support (Left)	—	WC300900AV	1
38	Axle	WC703100AV	WC703200AV	1
39	Wheel hub	WC703500AV	WC703400AV	1
40	Dinse connector	WC000200AV	WC000200AV	2
41	Dinse socket	WC000300AV	WC000300AV	2
42	Torch ring	WC600009AV	WC600009AV	1
43	#10-24 x 1/2" Screw	*	*	9
44	Axle support	WC703600AV	—	2
45	5mm I.D. e-ring	*	—	2
46	#10-24 x 2" Screw	—	*	2
47	#8-36 x 1" Screw	—	*	2
48	#8 Flatwasher	—	*	2
49	#8-36 Nut	—	*	2
50	Swan neck with Diffuser	WC600701AV	WC600701AV	1

\* Standard hardware item, available at local hardware or welder supply store

OPTIONAL WIRE		
Type	Description	Part Number
Mig	ER70S6 .024"	WE300000AJ
Mig	ER70S6 .030"	WE300500AJ
Mig	ER70S6 .035"	WE301000AJ
Flux	E71T-GS .030"	WE200000AJ
Flux	E71T-GS .035"	WE200500AJ

** OPTIONAL CONTACT TIPS			
mm	Size		Part Number
	in.		
0.6	0.024		WT501200AV
0.8	0.030		WT501300AV
0.9	0.035		WT501400AV

## Glossary of Welding Terms

**AC or Alternating Current** - electric current that reverses direction periodically. Sixty cycle current travels in both directions sixty times per second.

**Arc Length** - the distance from the end of the electrode to the point where the arc makes contact with the work surface.

**Base Metal** - the material to be welded.

**Butt Joint** - a joint between two members aligned approximately in the same plane.

**Crater** - a pool, or pocket, that is formed as the arc comes in contact with the base metal.

**DC or Direct Current** - electric current which flows only in one direction. The polarity (+ or -) determines which direction the current is flowing.

**DC Reverse Polarity** - occurs when the electrode holder is connected to the positive pole of the welding machine. Reverse Polarity directs more heat into melting the electrode rather than the work piece. It is used on thinner material.

**DC Straight Polarity** - occurs when the electrode holder is connected to the negative pole of the welding machine. With straight polarity more heat is directed to the work piece for better penetration on thicker material.

**Electrode** - a coated metal wire having approximately the same composition as the material being welded.

**Fillet Weld** - approximately a triangle in cross-section, joining two surfaces at right angles to each other in a lap, T or corner joint.

**Flux** - a coating, when heated, that produces a shielding gas around the welding area. This gas protects the parent and filler metals from impurities in the air.

**Flux Cored Arc Welding (FCAW)** - also called Gasless, is a welding process used with a wire-feed welding machine. The weld wire is tubular with flux material contained inside for shielding.

**Gas Metal Arc Welding (GMAW)** - also called MIG, is a welding process used with a wire feed welding machine. The wire is solid and an inert gas is used for shielding.

**Gas Tungsten Arc Welding (GTAW)** - also called TIG, is a welding process used with welding equipment with a high frequency generator. The arc is created between a non-consumable tungsten electrode and the work piece. Filler metal may or may not be used.

**Lap Joint** - a joint between two overlapping members in parallel planes.

**Open Circuit Voltage (OCV)** - the voltage between the electrode and the work clamp of the welding machine when no current is flowing (not welding). The OCV determines how quickly the arc is struck.

**Overlap** - occurs when the amperage is set too low. In this instance, the molten metal falls from the electrode without actually fusing into the base metal.

**Porosity** - gas pockets, or cavities, formed during weld solidification. They weaken the weld.

**Penetration** - the depth into the work piece that has been heat effected by the arc during the welding process. A good weld achieves 100% penetration meaning that the entire thickness of the work piece has been heated and resolidified. The heat effected area should be easily seen on the opposite side of the weld.

**Shielded Metal Arc Welding (SMAW)** - also called Stick, is a welding process with uses a consumable electrode to support the arc. Shielding is achieved by the melting of the flux coating on the electrode.

**Slag** - a layer of flux soot that protects the weld from oxides and other contaminants while the weld is solidifying (cooling). Slag should be removed after weld has cooled.

**Spatter** - metal particles thrown from the weld which cool and harden on the work surface. Spatter can be minimized by using a spatter resistant spray on the work piece before welding.

**Tack Weld** - weld made to hold parts in proper alignment until final welds are made.

**Travel Angle** - the angle of the electrode in the line of welding. It varies from 5° to 45° depending on welding conditions.

**T Joint** - made by placing the edge of one piece of metal on the surface of the other piece at approximately a 90° angle.

**Undercut** - a condition that results when welding amperage is too high. The excessive amperage leaves a groove in the base metal along both sides of the bead which reduces the strength of the weld.

**Weld Pool or Puddle** - a volume of molten metal in a weld prior to its solidification as weld metal.

**Weld Bead** - a narrow layer or layers of metal deposited on the base metal as the electrode melts. Weld bead width is typically twice the diameter of the electrode.

**Work Angle** - the angle of the electrode from horizontal, measured at right angles to the line of welding.



S'il vous plaît lire et conserver ces instructions. Lire attentivement avant de monter, installer, utiliser ou de procéder à l'entretien du produit décrit. Se protéger ainsi que les autres en observant toutes les instructions de sécurité, sinon, il y a risque de blessure et/ou dégâts matériels! Conserver ces instructions comme référence.



# Soudeur À L'Arc Alimenté En Fil



## Description

Cette série de soudeurs à l'arc alimentés en fil Campbell Hausfeld sont conçus pour l'utilisation sur le courant domestique de 115V. Ces soudeurs sont équipés d'un réglage de vitesse de fil infini pour la sélection précise de taux d'alimentation en fil convenable à une variété de conditions de soudage. Les pièces internes sont protégées d'un thermostat.

Ces soudeurs sont conçus pour l'utilisation avec les méthodes de Soudage À L'Arc Fourré De Flux (sans gaz) ou le Soudage Au Chalumeau (Mig). Ce soudeur, livré de l'usine peut souder avec un fil de 0,6 mm à 0,9 mm de diamètre. Une bobine de fil fourré de flux et une buse de 0,040 sont compris.

## Déballage

**Quelques pièces détachées du soudeur peuvent être situées dans le compartiment d'alimentation en fil.** Lors du déballage, l'examiner soigneusement pour rechercher toute trace de dommage susceptible de s'être produit en cours de transport. S'il y a des pièces endommagées ou manquantes, composer le (800) 746-5641.

## Exigences De Circuit

### ⚠ ATTENTION

Cet équipement requiert un circuit unique de 115 V. Se référer au tableau suivant pour le disjoncteur ou la classification de fusible correcte. Ne pas faire fonctionner les appareils électroménagers, les lampes ou les outils sur ce circuit pendant l'utilisation de cet équipement. Les cordons prolongateurs ne sont pas recommandés. Manque de suivre ces directives peut causer des fusibles sautés et des disjoncteurs déclenchés.

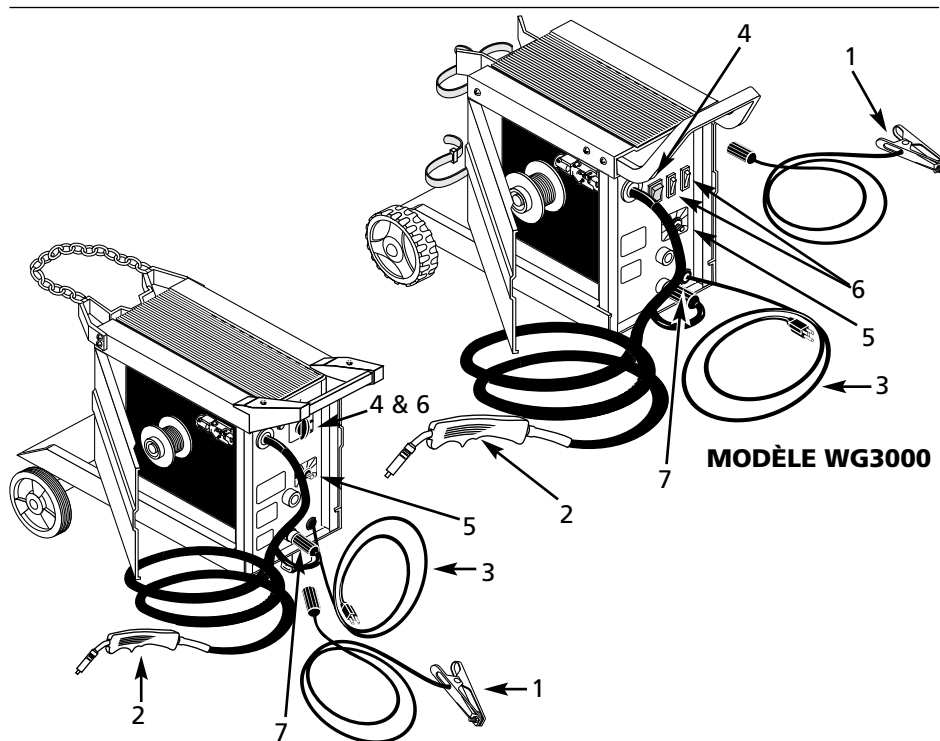


Figure 1

MODÈLE WG3060

Sélecteur de Chaleur	Disjoncteur ou Fusée à Retardement	
Bas (1-2)	15 A	
Haut (3-4)	20 A	

## Commandes et Pièces Détachées

- Pince de Soudeur** - fixer à l'objet de travail.
- Pistolet d'alimentation en fil avec buse de 0,040.**
- Cordon d'alimentation** - brancher dans une prise de courant 115 V.
- Interrupteur Marche/Arrêt (On/Off).**
- Commande de réglage de vitesse de fil infini** - tourner au sens des aiguilles d'une montre

pour augmenter la vitesse de fil et tourner au sens inverse des aiguilles d'une montre pour réduire la vitesse du fil.

- Sélecteur de chaleur** - Pour choisir la puissance du soudeur. Choix de quatre sélections.
- Branchement de polarité** - Fixer le câble du chalumeau à (+) pour MIG et (-) fil fourré de flux.

## Généralités Sur La Sécurité

### ⚠ DANGER

Danger indique:

Manque de suivre cet avertissement causera la perte de vie ou blessures graves.

### ⚠ AVERTISSEMENT

Avertissement

indique: Manque de suivre cet avertis-

## Généralités Sur La Sécurité (suite)

*sement peut causer la perte de vie ou blessures graves.*

### ⚠ ATTENTION

*Attention indique:*

*Manque de suivre cet avertissement peut causer des blessures (petites ou moyennes) ou dommage matériel.*

**REMARQUE:** Remarque indique: Information additionnel concernant le produit ou son utilisation.

### ⚠ AVERTISSEMENT

*Le chalumeau*

*est toujours "électrisé" (potentiel de courant électrique) quand le modèle est en marche (le modèle WG3000 seulement).*

### ⚠ AVERTISSEMENT

*Toujours avoir un extincteur d'incendie disponible pendant le soudage à l'arc.*



- Lire et comprendre toutes instructions avant de démarrer un soudeur à l'arc ou de procéder à son entretien. Manque de suivre les précautions et instructions de sécurité peut avoir comme résultat, dommage à l'équipement et/ou blessures graves, perte de vie.
- Tous installation, entretien, réparation et utilisation de cet équipement doit être effectué par des personnes qualifiées conformément aux codes nationaux, provinciaux et locales.

### ⚠ AVERTISSEMENT

*L'utilisation incorrecte des soudeurs à l'arc électriques peuvent causer des secousses électriques, blessures et perte de vie. Suivre toutes les précautions indiquées dans ce manuel afin de réduire le risque de secousse électrique.*



- S'assurer que toutes les pièces détachées du soudeur à l'arc soient propres et en bon état avant d'utiliser le soudeur. S'assurer que l'isolation sur tous câbles, pistolets d'alimentation en fil et cordons d'alimentation ne soit pas endommagé. Toujours réparer ou remplacer les pièces détachées endommagées avant d'utiliser le soudeur. Toujours garder les panneaux, écrans de soudage, etc. en place pendant l'utilisation du soudeur.
- Toujours porter des vêtements protecteurs et gants de soudage secs ainsi que des chaussures isolantes.

- Toujours faire fonctionner le soudeur dans un endroit propre, sec et bien ventilé. Ne jamais utiliser un soudeur dans un endroit humide, trempé, pluvieux ou mal-ventilé.
- S'assurer que l'objet sur lequel vous travaillez soit bien fixé et mis à la terre correctement avant de commencer le soudage électrique à l'arc.
- Le câble de soudage roulé devrait être étendu avant l'utilisation afin d'éviter le surchauffage et le dommage à l'isolation.

### ⚠ DANGER

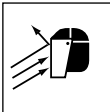
*Ne jamais immerger*

*le fil ni le pistolet dans l'eau. Si le soudeur devient trempé, il est nécessaire qu'il soit complètement sec et propre avant l'utilisation!*

- Toujours mettre l'équipement hors circuit et le débrancher avant de le déplacer.
- Toujours brancher le conducteur de travail en premier lieu.
- Vérifier que l'objet de travail soit mis à la terre correctement.
- Toujours mettre l'équipement de soudage électrique à l'arc hors circuit s'il n'est pas en usage et couper l'excès de fil du pistolet.
- Ne jamais permettre que votre corps touche le fil fourré de flux et la terre ni l'objet de travail mis à la terre simultanément.
- Les conditions et positions de soudage difficiles peuvent poser des dangers électriques. Si vous êtes accroupis, à genoux ou aux élévations, s'assurer que toutes les pièces conductrices soient isolées. Porter des vêtements protecteurs convenables et prenez précaution contre les chutes afin d'éviter des blessures.
- Ne jamais essayer d'utiliser cet équipement au delà des réglages de courant ou des facteurs d'utilisation indiqués sur les étiquettes.
- Ne jamais utiliser un soudeur électrique à l'arc pour dégeler les tuyaux congelés.

### ⚠ AVERTISSEMENT

*Les étincelles volantes et le métal chaud peuvent causer des blessures. La scorie peut s'échapper pendant le refroidissement des soudures. Suivre toutes les directives et précautions indiquées dans ce manuel pour réduire la possibilité de blessures causées par les étincelles volantes et le métal chaud.*



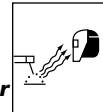
- Porter un masque de soudeur approuvé par ANSI ou des lunettes

protectrices avec écrans protecteurs de bords pendant le burinage ou l'ébarbage des pièces en métal.

- Utiliser des protège-tympons pour le soudage aérien afin d'éviter que la scorie ou la bavure tombe dans les oreilles.

### ⚠ AVERTISSEMENT

*Le soudage électrique à l'arc produit la lumière et la chaleur intense et les rayons ultraviolets (UV) rays. Cette lumière intense et ces rayons UV peuvent causer des blessures aux yeux et à la peau. Prenez toutes précautions indiquées dans ce manuel afin de réduire la possibilité de blessures aux yeux et à la peau.*



- Toutes personnes qui utilisent cet équipement ou qui sont présentes là où l'équipement est utilisé doivent porter des vêtements de soudage protecteurs y compris: masque ou casque de soudeur ou écran avec une lentille filtrante de classification d'au moins 10, vêtements incombustibles, gants de soudeur en cuir et la protection complète pour les pieds.

### ⚠ AVERTISSEMENT

*Ne jamais observer*

*le soudage sans la protection pour les yeux indiquée ci-dessus. Ne jamais utiliser une lentille filtrante qui est fendue, cassée, ou classifiée moins que le numéro 10. Avertir les autres personnes dans l'endroit de ne pas observer l'arc.*

### ⚠ AVERTISSEMENT

*Le soudage électrique à l'arc produit des étincelles et chauffe le métal aux températures qui peuvent causer des brûlures sévères! Utiliser des gants et vêtements protecteurs pendant n'importe quel travail de métal. Prenez toutes les précautions indiquées dans ce manuel afin de réduire la possibilité de brûlures de peau ou de vêtements.*



- S'assurer que toutes personnes dans l'endroit de soudage soient protégées contre la chaleur, les étincelles et les rayons ultraviolets. Utiliser des écrans de visage additionnels et écrans coupe-feu là où nécessaire.
- Ne jamais toucher les objets de travail avant qu'ils se refroidissent complètement.

### ⚠ AVERTISSEMENT

*La chaleur et les étincelles qui sont produits pendant le soudage électrique à l'arc et autres travaux de métal peuvent allumer les matériaux inflammables et explosifs! Prenez toutes précautions*



## Généralités Sur La Sécurité (suite)

indiquées dans ce manuel afin de réduire la possibilité de flammes et d'explosions.

- Enlever tous matériaux inflammables à moins de 10,7 mètres (35 pieds) de l'arc de soudage. Si ceci n'est pas possible, couvrir les matériaux inflammables avec des couvertures incombustibles.
- Ne pas utiliser un soudeur électrique à l'arc dans les endroits qui contiennent des vapeurs inflammables ou explosives.
- Prenez toutes précautions pour s'assurer que les étincelles volantes et la chaleur ne produisent pas de flammes dans des endroits cachés, fentes, à l'arrière des cloisons, etc.

### ⚠ AVERTISSEMENT

**Risque d'incendie! Ne pas souder les récipients ni les tuyaux qui contiennent ou ont contenu des matériaux inflammables ou combustibles gazeux ou liquides.**



### ⚠ AVERTISSEMENT

**Le soudage à l'arc des cylindres ou récipients fermés tels que les réservoirs ou bidons peuvent causer une explosion s'ils ne sont pas bien ventilés! Vérifier qu'il y ait un trou de ventilation suffisant dans n'importe quel cylindre ou récipient pour permettre la ventilation des gaz en expansion.**



### ⚠ AVERTISSEMENT

**Ne pas inspirer les vapeurs qui sont produits par le soudage à l'arc. Ces vapeurs sont dangereuses. Utiliser un respirateur si l'endroit de soudage n'est pas bien ventilé.**

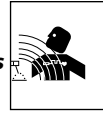


- Garder la tête et le visage hors des vapeurs de soudage.
- Ne pas exécuter le soudage électrique à l'arc sur les métaux qui sont galvanisés ou plaqués en cadmium, ou qui contiennent le zinc, le mercure, ou le beryllium sans suivre les précautions suivantes:
  - a. Enlever l'enduit du métal commun.
  - b. S'assurer que l'endroit de soudage soit bien ventilé.
  - c. Utiliser un respirateur à air fourni.
 Des vapeurs extrêmement toxiques sont produites pendant le chauffage de ces métaux.

### ⚠ AVERTISSEMENT

**Le champ électromagnétique qui est produit pendant le soudage à l'arc peut**

**causer de l'interférence avec le fonctionnement de plusieurs appareils électriques tels que les pacemakers cardiaques. Toutes personnes qui utilisent ces appareils doivent consulter leur médecin avant d'exécuter le soudage électrique à l'arc.**



- Router l'électrode et les câbles ensemble et les fixer avec du ruban adhésif là où possible.
- Ne jamais envelopper les câbles de soudage à l'arc autour de votre corps.
- Toujours situer l'électrode et les conducteurs de terre afin qu'ils soient sur le même bord du corps.
- L'exposition aux champs électromagnétiques peut avoir autres réactions inconnues concernant la santé.

### ⚠ AVERTISSEMENT *Toujours s'assurer*

**que l'endroit de soudage soit en état sûr et sans risques (étincelles, flammes, métal chauffé au rouge ou scorie) avant de partir. S'assurer que l'équipement soit hors circuit et que l'excès de fil soient coupés. S'assurer que les câbles soient roulés (sans serrer) et hors du chemin. S'assurer que tout métal et scorie soient refroidis.**

### ⚠ DANGER

**Les bouteilles peuvent exploser si endommagées. Ils contiennent du gaz sous haute pression. Si endommagés, les bouteilles peuvent exploser. Puisque les bouteilles de gaz font partie du processus de soudage, s'assurer de bien les respecter.**



- Protéger les bouteilles de gaz comprimé contre la chaleur excessive, les chocs mécaniques, et les arcs.
- Installer et fixer les bouteilles dans une position verticale en utilisant une chaîne sur un support stationnaire ou un support de bouteille pour éviter le renversement ou le basculement.
- Garder les bouteilles à l'écart du soudage ou autres circuits électriques.
- Ne jamais permettre que l'électrode de soudage touche une bouteille.
- Utiliser seulement les bouteilles de gaz corrects; régulateurs, tuyaux et raccords conçus pour votre application et les tenir en bon état de marche.
- Tourner le visage à l'écart de la soupape d'échappement en ouvrant la soupape de la bouteille.
- Garder le chapeau protecteur en place sur la soupape sauf si la bouteille est en service ou branchée pour le service.

- Lire et suivre les instructions pour les bouteilles de gaz et autre équipement et la publication P-1 de CGA indiquée dans les Normes de Sécurité.

### ⚠ DANGER

**Ne jamais utiliser**

**les gaz inflammables avec les soudeurs MIG. Seuls les gaz inertes ou ininflammables tels que le gaz carbonique, l'argon, le hélium ou un mélange d'un ou plus de ceux-ci conviennent au soudage MIG.**

### ⚠ AVERTISSEMENT

**Ne jamais soulever**

**les bouteilles par leurs soupapes, chapeaux ni avec les chaînes ou élingues.**

### NORMES DE SÉCURITÉ ADDITIONNELLES

**Norme ANSI Z49.1** de l' American Welding Society, 550 N.W. LeJune Rd. Miami, FL 33126

### Safety and Health Standards (Normes de Sécurité et de Santé)

OSHA 29 CFR 1910, du Superintendent of Documents, U.S. Government Printing Office, Washington, D.C. 20402

### National Electrical Code (Code Électrique National)

Norme NFPA 70, du National Fire Protection Association, Batterymarch Park, Quincy, MA 02269

### Safe Handling of Compressed Gases in Cylinders (Manipulation Sûre des Gaz Comprimés en Cylindres)

CGA Pamphlet P-1, du Compressed Gas Association, 1235 Jefferson Davis Highway, Suite 501, Arlington, VA 22202

### Code for Safety in Welding and Cutting (Code de Sécurité pour le Soudage et le Coupage)

Norme CSA W117.2, du Canadian Standards Association, Standards Sales, 178 Rexdale Boulevard, Rexdale, Ontario, Canada M9W 1R3

### Cutting And Welding Processes (Procédés de Coupage et de Soudage)

Norme NFPA 51B, du National Fire Protection Association, Batterymarch Park, Quincy, MA 02269

### Safe Practices For Occupational And Educational Eye And Face Protection (Règlements Professionnels et D'Éducation de Sécurité pour la Protection des Yeux et du Visage)

Norme ANSI Z87.1, de l'American National Standards Institute, 1430 Broadway, New York, NY 10018  
Se référer aux Material Safety Data Sheets (Données De Sécurité) et les instructions du fabricant pour métaux, électrodes, enduits et produits pour le nettoyage.

## Installation

La sélection d'un bon endroit peut augmenter le rendement, sûreté de fonctionnement et la vie du soudeur à l'arc.

- Pour un meilleur résultat, situer le soudeur dans un endroit propre et sec. La poussière et la saleté absorbent l'humidité dans le soudeur et augmentent l'usure des pièces mouvantes.
- Situer le soudeur dans un endroit qui fournit au moins 12 po (305 mm) d'espace de ventilation devant et derrière du modèle. Garder l'espace de ventilation libre d'obstructions.
- Entreposer les fils dans un endroit propre et sec avec humidité basse afin de conserver la fini du fil.
- Le récipient utilisé pour le soudeur doit être mis à la terre correctement et le soudeur doit être le seul appareil de charge sur le circuit. Se référer au tableau d'Ampérages de Circuit à la page 1 pour la capacité correcte du circuit.
- L'usage d'un cordon prolongateur n'est pas recommandé pour les soudeurs électriques à l'arc. La perte de tension dans le cordon prolongateur peut réduire le rendement du soudeur.

## Montage

### Modèle WG3000

Les pièces détachées du soudeur indiquées ci-dessous se trouvent dans le compartiment d'entraînement de fils. Ouvrir et enlever.

#### MONTAGE DU MANCHE

1. Enlever les vis du manche. Glisser le manche entre le panneau d'avant du soudeur et le couvercle supérieur tout en alignant les trous dans le manche et les trous dans le couvercle supérieur.
2. Fixer les vis à travers le couvercle supérieur et dans le manche.

#### MONTAGE DE ROUE ET D'ARBRE

1. Introduire les supports d'arbre dans les encoches du carter de soudeur.
2. Introduire l'arbre à travers des supports et pousser les roues sur l'arbre.
3. Fixer les roues avec les attaches en E et les chapeaux de roues.

#### MONTAGE DE SUPPORT POUR LA BOUTEILLE DE GAZ

1. Placer le support sur le soudeur en alignant les trous dans le carter du soudeur.
2. Fixer les vis à travers du support et dans la boîte.

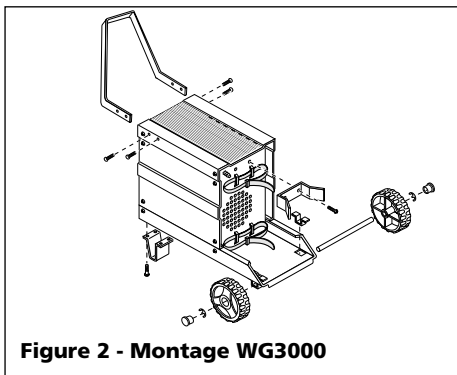


Figure 2 - Montage WG3000

#### MONTAGE DU PIED

1. Placer le pied sur le soudeur et aligner les trous dans le carter du soudeur.
2. Fixer les vis à travers du pied et dans la boîte.

#### Modèle WG3060

#### MONTAGE DU MANCHE

1. Placer le montage du manche sur le soudeur en alignant les trous dans le panneau d'avant du soudeur.
2. Fixer les vis à travers des bouts du manche et dans la boîte.

#### MONTAGE DE ROUES ET D'ARBRE

1. Fixer l'arbre sur le carter du soudeur avec la quincaillerie de fixation.
2. Introduire les roues sur l'arbre et les taper légèrement dans les chapeaux des roues.

#### MONTAGE DU SUPPORT DE LA BOUTEILLE DE GAZ

1. Placer le support sur le soudeur en alignant les trous dans le carter du soudeur.
2. Fixer les vis à travers du support et dans la boîte.

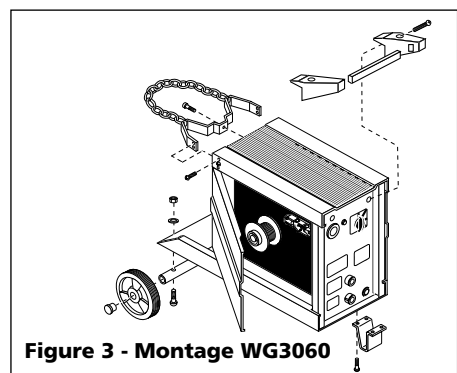


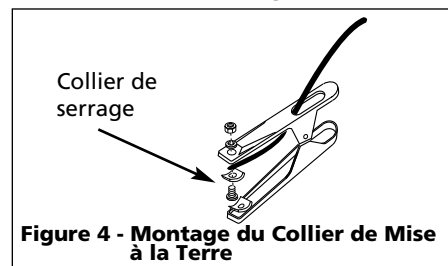
Figure 3 - Montage WG3060

#### MONTAGE DU PIED

1. Placer le pied sur le soudeur et aligner les trous dans le carter du soudeur.
2. Fixer les vis à travers du pied et dans la boîte.

#### Collier De Mise A La Terre (Tous Les Modèles)

1. Desserrer le boulon hexagonal ou l'écrou sur le collier de mise à la terre.
2. Introduire le cordon à travers le manche du collier et glisser le fil nu sous le bloc du collier. Serrer le boulon hexagonal en s'assurant que le fil nu soit bien fixé (Figure 4).



#### Installation de Fils

**⚠ AVERTISSEMENT** La puissance de soudage peut être appliquée aux bornes de sortie, rouleau entraîneur, collier de mise à la terre, raccordeur du câble de pistolet et le fil de soudage même si l'interrupteur du pistolet n'est pas activé. Ne pas toucher ces pièces quand le soudeur soit en marche.

**REMARQUE:** Avant d'installer le fil à soudage, s'assurer que le diamètre du fil à soudage correspond à l'encoche dans le rouleau d'entraînement du dispositif d'alimentation et que le fil correspond au bout de contact du pistolet. Une mauvaise correspondance sur n'importe quelle pièce peut causer le glissement et le grippage du fil.

1. Vérifier que le modèle soit hors circuit (OFF). Ouvrir le panneau sur le soudeur afin d'exposer le dispositif d'alimentation du fil.
2. Enlever la serrure rapide de la bobine en appuyant et tournant 1/4 de tour au sens inverse des aiguilles d'une montre. Le bouton, ressort et bague d'espacement de la bobine peuvent être enlevés.

**REMARQUE:** Les entretoises de bobine et de broche fonctionnent comme adaptateurs de 8 po (20,32 cm). L'achat d'un adaptateur n'est pas nécessaire.

**\*Voir Figure 5 pour le montage.**

3. Desserrer la vis de tension sur le dispositif d'alimentation afin de permettre l'avancement initial à la main du fil dans la chemise du pistolet.



## Montage (suite)

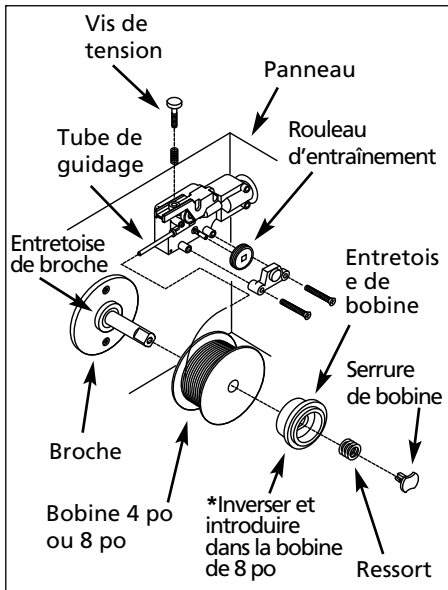


Figure 5 - L'Enfillement du Fil à Soudage

4. Installer la bobine sur la broche afin que le fil puisse sortir de la bobine au bout le plus près du tube de guidage d'avance. **Ne pas couper le fil tout de suite.** Installer la bague d'espacement, le ressort et le bouton de serrage rapide en appuyant et tournant le bouton 1/4 de tour au sens des aiguilles d'une montre.
5. Tenir et couper le fil du bout de la bobine. Ne pas permettre que le fil se démêle. S'assurer que le bout du fil soit droit et sans ébarbures.
6. Avancer le fil à travers du tube de guidage du dispositif d'alimentation, par dessus de l'encoche dans le rouleau d'entraînement et dans la chemise du pistolet. Serrer la vis de tension du dispositif d'alimentation de fil. Ne pas trop serrer.
7. Enlever la buse en tournant **au sens contraire des aiguilles d'une montre**. Ensuite dévisser la pointe de contact du bout du chalumeau (Voir Figure 6). Brancher le soudeur dans la prise de courant correcte.

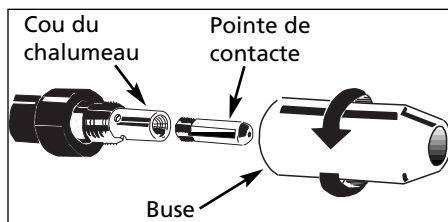


Figure 6 - Buse du Chalumeau

**SUGGESTION:** Garder le câble du chalumeau droit pendant l'enfilage du fil.

8. Mettre le soudeur en marche et régler la vitesse du fil à 5. Régler l'interrupteur du pistolet jusqu'à ce que le fil s'avance et dépasse le bout du chalumeau. Mettre le soudeur hors circuit.
9. Glisser la pointe de contact soigneusement par dessus le fil et la visser dans le cou du chalumeau. Installer la buse en tournant **au sens des aiguilles d'une montre** (Voir Figure 6). Tailler le fil environ 1/4 po du bout de la buse.

### Marques Sur La Pointe De Contact Taille de fil mm

,024 po	ou	0,6
,030 po	ou	0,8
,035 po	ou	0,9
,040 po	ou	1,0

### POLARITÉ

Pour le soudage au chalumeau, brancher le câble sortant du chalumeau à la douille (+) et le câble du collier de mise à la terre à la douille (-) sur la face du panneau. Pour la soudure au fil fourré de flux (sans gas), brancher le chalumeau à (-) et le collier de mise à la terre à (+).

### FACTEUR D'UTILISATION/ PROTECTION THERMOSTATIQUE

Le facteur d'utilisation de soudage est le pourcentage du temps de soudage actuel qui peut se faire dans un interval de dix minutes. Par exemple, le soudage actuel peut se produire pour une minute à un facteur d'utilisation de 10%, et ensuite, le soudeur doit se refroidir pour neuf minutes.

Les pièces détachées internes de ce soudeur sont protégées contre le surchauffage avec un interrupteur automatique thermique. Une lampe jaune sur le panneau d'avant (interrupteur on/off) est allumée si vous dépassez le facteur d'utilisation. Continuer avec le soudage quand la lampe n'est pas allumée.

## Montage du Casque de Soudeur

### MODÈLE WT1000

1. Enlever le dispositif de retenue de la lentille de la visière avec un tournevis ordinaire en appuyant contre l'écran et le poteau du dispositif de retenue de la lentille.
2. Enlever la couche protectrice des deux bords de chacun des couvercles de lentille. Mettre un couvercle clair sur

chaque bord de la lentille teinte. Placer les trois lentilles ensemble dans la visière et fixer avec le dispositif de retenue de lentille. Le dispositif de retenue de lentille devrait s'insérer dans la deuxième encoche de la visière.

3. Situer un des trous dans le bras de réglage par dessus des goupilles qui sont situées dans l'endroit de l'oreille de la visière. Ces bras de réglage déterminent l'ajustement et peuvent être repositionnés facilement si nécessaire.
4. Situer le serre-tête dans la visière. Introduire la vis de goujon à travers du serre-tête, de la visière et dans l'écrou de traction comme indiqué. Ne pas serrer l'écrou de traction complètement.
5. Faire l'essai du casque de soudeur. Ajuster le ressort du récepteur serre-tête à une position confortable et baisser la visière. Si la visière est trop proche ou trop loin, utiliser un nouveau trou dans le bras de retenue. Ajuster les écrous de traction pour assurer que le casque peut se baisser en inclinant la tête.

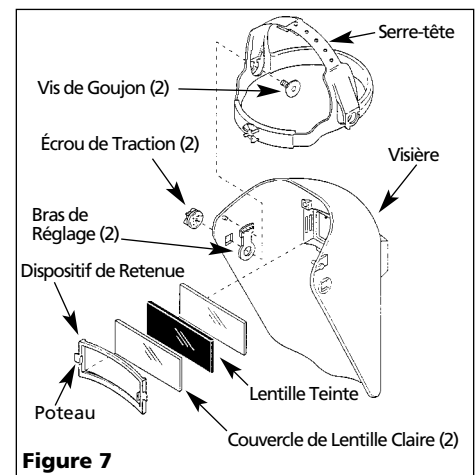


Figure 7

## Installation de Gaz Protecteur

### ⚠ DANGER

*La manipulation et l'entretien incorrect des bouteilles et régulateurs de gaz comprimé peut résulter en blessures graves et la mort! Toujours fixer les bouteilles de gaz comprimé avec sûreté au nécessaire de support du réservoir, au mur ou à un autre système de support afin d'empêcher le renversement des*

## Installation de Gaz Protecteur (Suite)

**bouteilles.** Il est nécessaire de lire, comprendre, et de suivre toutes les risques indiqués dans les instructions de sécurité concernant les gaz comprimés et l'équipement

**REMARQUE:** Le gaz n'est pas nécessaire si le fil fourré de flux est utilisé.

### TYPES DE GAZ

Il y a trois types de gaz populaires pour le soudage à l'arc avec gaz; 100% argon, un mélange de 75% argon et 25% gaz carbonique (C25) ou 100% gaz carbonique. Le gaz carbonique 100% n'est pas recommandé à cause de cordons de soudage de qualité insuffisante. Ce modèle de soudeur ne fonctionne pas bien avec le gaz carbonique 100%. Le mélange 75/25 est recommandé pour le soudage général de l'acier. Pour le soudage d'aluminium, utiliser 100% argon. Chaque type de bouteille et disponible chez votre fournisseur de matériaux de soudage. Fixer la bouteille en place sur votre soudeur ou sur un autre support pour éviter le basculement de la bouteille.

**REMARQUE:** L'usage du type de gaz incorrect pourrait causer le manque ou peu de pénétration de l'électrode (fil) de soudage.

### RÉGULATEUR

Le régulateur fournit une pression et débit constante de gaz pendant le soudage. Chaque régulateur est conçu pour l'utilisation avec un type ou mélange de gaz particulier. L'argon et les mélanges d'argon utilisent le même type de filets. 100% gaz carbonique utilise un différent type de filets. Un adaptateur est disponible chez votre fournisseur de gaz de soudeur pour pouvoir utiliser les deux types.

### MÉTHODE DE BRANCHEMENT

**AVERTISSEMENT** Les cylindres de gaz sont sous haute pression. Diriger l'orifice d'échappement à l'écart de soi-même ou d'autres personnes avant de l'ouvrir.

1. Ces modèles conviennent aux bouteilles de 20 pi<sup>3</sup>.
2. Avec la bouteille bien installée, enlever le chapeau de la bouteille, se tenir au bord opposé de l'orifice d'échappement et ouvrir la soupape un peu en tournant au sens contraire des aiguilles d'une montre. Quand le gaz sort de la bouteille, fermer la soupape en tournant au sens des aiguilles d'une montre. Ceci sert à purger la poussière qui peut s'accumuler autour du siège de la soupape.
3. Installer le régulateur sur la soupape de la bouteille de gaz en gardant la face

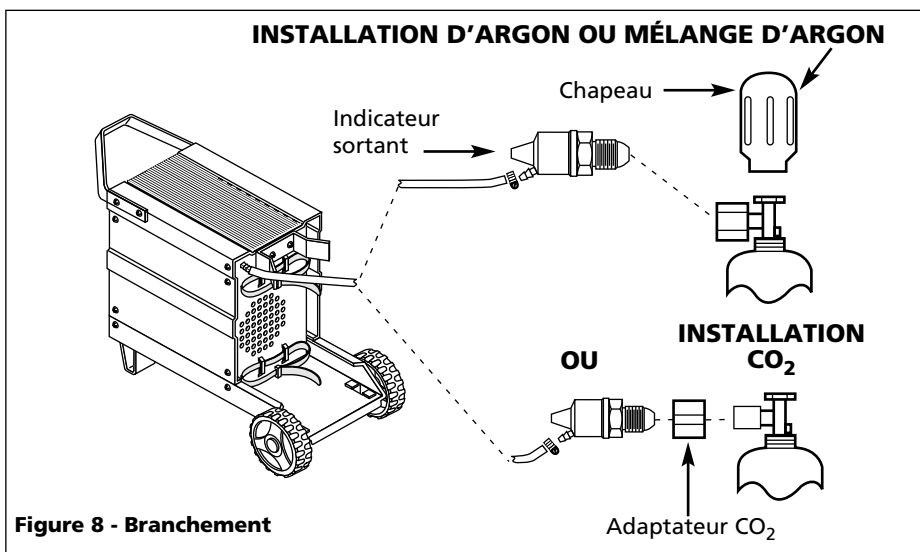


Figure 8 - Branchement

- des jauges dans la position verticale et serrer l'écrou à la soupape de gaz.
4. Installer un bout du tuyau de gaz au raccord situé en arrière du soudeur et l'autre bout du tuyau au raccord du régulateur en utilisant des colliers de serrage sur chaque raccordement. S'assurer que le tuyau ne soit pas tortillé.
5. Se positionner encore au bord opposé de l'orifice d'échappement de la bouteille et ouvrir la soupape lentement. Inspecter pour des fuites dans l'endroit des raccordements.
6. Tirer la gâchette sur le pistolet afin de permettre que le gaz s'écoule et ajuster le régulateur du gaz à 0,85 cmh (pieds cubiques par heure)\*. Relâcher la gâchette.

**\*REMARQUE:** Le régulateur Campbell Hausfeld WT600100AV est réglé d'avance à l'usine à 0,85 cmh. Aucun ajustement est nécessaire. Un indicateur sortant au bout du régulateur indique la quantité de gaz restant dans le cylindre. Si l'indicateur n'est plus étendu, il reste environ 10 minutes dans le cylindre.

7. Fermer la soupape de gaz lorsque vous avez fini de souder.

## Fonctionnement

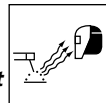
1. Lire, comprendre et suivre toutes les précautions dans la section Généralités Sur La Sécurité. Lire la section entière de Directives De Soudage avant d'utiliser l'équipement.
2. Vérifier que le soudeur soit hors circuit (OFF).



3. Vérifier que les surfaces du métal soient libres de saleté, rouille, peinture, huile, écailles ou autres polluants avant de les souder ensemble. Ces polluants rendent la soudure difficile et peuvent causer de mauvaises soudures.

### ⚠ DANGER

Toutes personnes utilisant cet équipement ou qui sont dans l'endroit pendant l'utilisation de l'équipement doivent porter des vêtements de soudage protecteurs y compris: protection oculaire avec lentille correcte, vêtements incombustibles, gants de soudeur en cuir, et protection complète pour les pieds.



### ⚠ ATTENTION

Lorsque le souder est EN MARCHÉ, la baguette à souder (fil) WG3000 est CHARGÉE MEME SI LA GÂCHETTE N'EST PAS ACTIONNÉE.

### ⚠ AVERTISSEMENT

Pour le chauffage, soudage ou coupage des matériaux galvanisés, plaqué en zinc, plomb, ou en cadmium, se référer à la section Généralités Sur La Sécurité pour plus d'informations. Des vapeurs extrêmement toxiques sont produites pendant le chauffage de ces métaux.



4. Raccorder le collier de mise à la terre à l'objet de travail ou à l'établi (si en métal). S'assurer que le contact soit sûr et non-pollué par la peinture, le vernis, la corrosion, ou autres matériaux non-métalliques.
5. Régler le Régulateur de Chaleur situé sur le panneau d'avant. Se référer à la décalcomanie située à

## Fonctionnement (suite)

l'intérieur de la porte du compartiment d'entraînement de fil pour le réglage de chaleur correct.

**REMARQUE:** Ces réglages sont établis comme guides généraux. Les réglages de chaleur sont variables selon les conditions de soudage et le matériel utilisé.

- Commencer avec un réglage de commande de vitesse numéro 5, et l'ajuster si nécessaire après la première soudure d'essai.
- Brancher le cordon d'admission dans une prise de courant convenable avec capacité en circuits correcte (Voir le tableau dans la section spécifications à la page 1).
- Mettre le soudeur en marche (ON).
- Vérifier que le fil dépasse la pointe de contact par 1/4 po, sinon, appuyer sur la gâchette pour avancer le fil, relâcher la gâchette et tailler le fil.
- Mettre le pistolet près de l'objet de travail, baisser le casque de soudeur en inclinant la tête ou mettre l'écran à main en position, et appuyer sur la gâchette. Ajuster le réglage de chaleur et la vitesse du fil si nécessaire.
- Une fois fini, mettre le soudeur hors circuit (off) et l'entreposer correctement.

## Entretien

**⚠ AVERTISSEMENT** *Débrancher et mettre la machine hors circuit (Off) avant de vérifier ou de procéder à l'entretien de n'importe quelle pièce détachée. Toujours garder le couvercle du compartiment de fil fermé sauf pendant le changement du fil.*

Avant chaque usage:

- Vérifier la condition des câbles de soudage et réparer ou remplacer immédiatement, les câbles dont l'isolation est endommagée.
- Vérifier la condition du cordon d'alimentation et le réparer ou le remplacer immédiatement si endommagé.
- Inspecter la condition du bout du pistolet et de la buse. Enlever la scorie, si présente. Remplacer le bout du pistolet ou la buse si endommagés.

**⚠ AVERTISSEMENT** *Ne pas utiliser ce soudeur si l'isolation sur les câbles de soudage, le pistolet, ou le cordon*

### **d'alimentation est fendu ou manquant.**

Chaque 3 mois:

- Remplacer toutes étiquettes de sécurité sur le soudeur qui ne sont pas lisibles.
- Utiliser de l'air comprimé pour souffler toute la poussière des ouvertures de ventilation.
- Nettoyer l'encoche de fil sur le rouleau d'entraînement. Enlever le fil du dispositif d'alimentation, enlever les vis du carter du rouleau d'entraînement. Utiliser une petite brosse métallique pour nettoyer le rouleau d'entraînement. Remplacer si usé ou endommagé.

### Pièces Consommables Et Qui Peuvent S'user

Les pièces suivantes exigent de l'entretien ordinaire:

- Rouleau d'entraînement d'alimentation de fil
- Chemise du pistolet - remplacer si usé
- Buse/buses de contact
- Fil - Ce soudeur acceptera les bobines de diamètre 10,16 cm ou 20,32 cm. Le fil de soudure est sensible à l'humidité et s'oxyde après quelques temps. Il est important de choisir une taille de bobine qui sera utilisée dans une période de 6 mois. Pour l'acier doux, il est recommandé d'utiliser le fil solide AWS ER70S6 ou le fil fourré de flux AWS E71T-GS.
- Pointes de contact - utiliser Campbell Hausfeld, Tweco®, et autres pointes convenables.
- Buse - utiliser le style Tweco® ou un style compatible. Utiliser la buse Campbell Hausfeld WT5021 disponible chez votre marchand, ou utiliser le style de buse Tweco® (ou compatible) chez votre succursale locale d'équipement de soudage.



MIG  
WT5021

Figure 9 - Buse

### Changement de Tailles de Fils

#### ROULEAU D'ENTRAÎNEMENT

Il y a deux rainures dans le Rouleau d'Entraînement. La petite rainure est pour le fil de .024 (0,6 mm) et la deuxième est pour le fil de .030 - .035

(0,8 - 0,9 mm). Enlever le couvercle du rouleau et inverser le rouleau d'entraînement pour choisir la rainure convenable (Voir l'illustration de Pièces).

#### FIL FOURRÉ DE FLUX

Il est recommandé d'utiliser une taille de pointe plus large à cause de petites différences dans le diamètre du fil. Par exemple:

- Diamètre de fil .030, utiliser une pointe de .035.
- Diamètre de fil .035, utiliser une pointe de .040.

Ce soudeur est monté pour le fil de .035 (0,9 mm) et a une pointe de .040. Puisque ce soudeur accepte le Fil Fourré de Flux de .030 et .035, le rouleau d'entraînement devrait être dans la condition réglée d'avance à l'usine.

#### FIL MIG

Puisque le fil MIG maintient un diamètre constant, utiliser une pointe qui correspond au fil utilisé. Utiliser la petite rainure sur le rouleau d'entraînement avec le fil de .024 (0,6 mm). Utiliser la large rainure réglée d'avance à l'usine pour le fil MIG ou Aluminium .030 - .035 (0,8 - 0,9 mm).

#### FIL ALUMINIUM

L'utilisation d'une pointe plus large est recommandé avec le fil Aluminium. Par exemple:

- Diamètre de fil .030, utiliser une pointe de .035.

Utiliser la rainure large réglée d'avance à l'usine avec le fil MIG ou Aluminium de .030 - .035 (0,8 - 0,9 mm). Le fil Aluminium est très faible et ne devrait avoir la même tension sur le rouleau d'entraînement que les fils Fourré de Flux ou MIG. En serrant le fil Aluminium au rouleau d'entraînement, tourner la vis de tension trois tours complet ou jusqu'à ce que le rouleau d'entraînement commence à gripper le fil et à l'enfiler à travers le câble du chalumeau.

**Composez le (800) 746-564 pour pièces de rechange.**

## Directives De Soudage

### Généralités

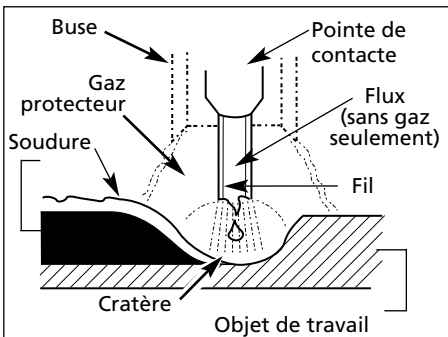


Figure 10 - Pièces détachées de soudage

Cette série de soudeurs peut utiliser les procédés de soudage à l'Arc Fourré en Flux (Sans Gaz) ou de Soudage à l'Arc au Métal à Gaz (MIG). Le cordon de soudage doit être protégé contre la contamination dans l'air pendant qu'il est fondu. Le procédé Sans Gaz utilise un fil tubulaire avec un matériel flux à l'intérieur. Le flux fondu produit un gaz protecteur. Le procédé MIG utilise un gaz inerte pour protéger la soudure fondue.

Quand le courant est produit par un transformateur (machine à souder) et passe à travers du circuit à un fil de soudage, un arc est produit entre le bout du fil à soudage et l'objet de travail. Cet arc fond le fil et l'objet. Le métal fondu du fil à soudage s'écoule dans le cratère fondu et produit un adhérence avec l'objet de travail tel qu'indiqué (Figure 10).

### Principes Du Soudage a l'Arc

Les cinq techniques qui ont un effet sur la qualité de la soudure sont: la sélection du fil, le réglage de chaleur, l'angle de soudure, la vitesse du fil et la vitesse de déplacement. La compréhension de ces méthodes est nécessaire afin d'atteindre une soudure efficace.

### REGLAGE DE CHALEUR

La chaleur correcte nécessite un ajustement du soudeur au réglage exigé. La chaleur ou la tension est réglée par un interrupteur sur le soudeur. Le réglage de la chaleur utilisé dépend sur la taille (diamètre) et du type de fil, la position de la soudure et l'épaisseur de l'objet. Se référer aux spécifications indiquées sur le soudeur. Il est recommandé que le soudeur se pratique sur des morceaux de métal

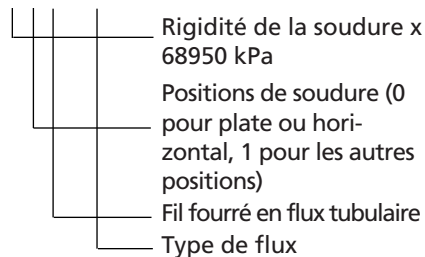
afin d'ajuster les réglages, et comparer les soudures avec la Figure 12.

### TYPE ET TAILLE DE FILS

Le choix correct du fil comprend une variété de facteurs telles que la position de soudage, le matériel de l'objet de travail, l'épaisseur et la condition de la surface. L'American Welding Society, AWS, a organisé certaines exigences pour chaque type de fil.

### FIL FOURRÉ DE FLUX

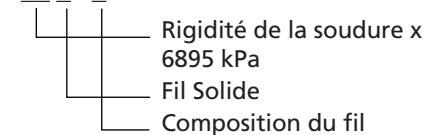
#### E - 7 0 T - GS



AWS E71T-GS ou E71T-11 sont recommandés pour ce soudeur.

### FIL SOLIDE

#### ER - 70 S - 6



ER-70S6 est recommandé pour ce soudeur.

### ANGLE DE SOUDURE

L'angle de soudure est l'angle de la buse pendant le soudage. L'utilisation de l'angle correct assure la pénétration et la formation du cordon de soudure exigé. L'angle de soudure est très important pour les positions de soudure différentes afin de produire une bonne soudure. L'angle de soudure comprend deux positions - l'angle de déplacement et l'angle de travail. L'angle de déplacement est l'angle situé dans la ligne de la soudure et peut varier entre 5° et 45° du vertical selon les conditions de soudage.

L'angle de travail est l'angle horizontal, mesuré aux angles droits à la ligne de soudage. Pour la plupart des applications, un angle de déplacement de 45° et un angle de travail de 45° sont suffisants. Pour les usages spécifiques, consulter un manuel de soudage à l'arc.

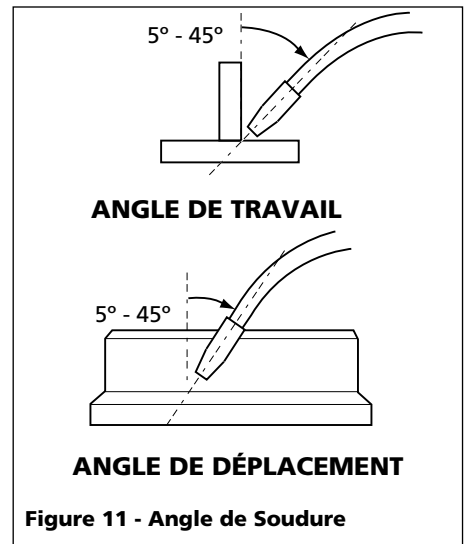


Figure 11 - Angle de Soudure

### VITESSE DE FIL

La vitesse de fil est réglée par le bouton sur le panneau d'avant. La vitesse doit être "réglée" selon le taux auquel le fil est fondu dans l'arc. Le réglage est une des fonctions critiques du soudage alimenté en fil. Le réglage devrait être effectué sur un morceau de métal d'essai qui est de même type et d'épaisseur que celui qui doit être soudé. Procéder avec la soudure avec une main en "trainant" la buse du pistolet à travers de la pièce d'essai en réglant la vitesse avec l'autre main. Une vitesse trop lente causera un crachement et le fil se brûlera dans la pointe de contact. Une vitesse trop rapide peut aussi causer un bruit de crachement et le fil s'enfoncera dans la plaque avant de se fondre. Un bruit constant de bourdonnement indique que la vitesse de fil est réglée correctement. Pour l'aluminium, la vitesse du fil est typiquement réglée à un réglage plus élevé (vitesse 7 - 9).

**NOTE:** Répéter le procédé de réglage chaque fois qu'il y ait un changement de réglage de chaleur, diamètre ou type de fil, type de matériel ou épaisseur de l'objet de travail.

### VITESSE DE DEPLACEMENT

La vitesse de déplacement est la vitesse auquel le fil est dirigé le long de la surface de soudage. Le diamètre et le type de fil à soudage, l'ampérage, la position et l'épaisseur de l'objet de travail ont tous un effet sur la vitesse de déplacement et peuvent avoir un



## Directives De Soudage

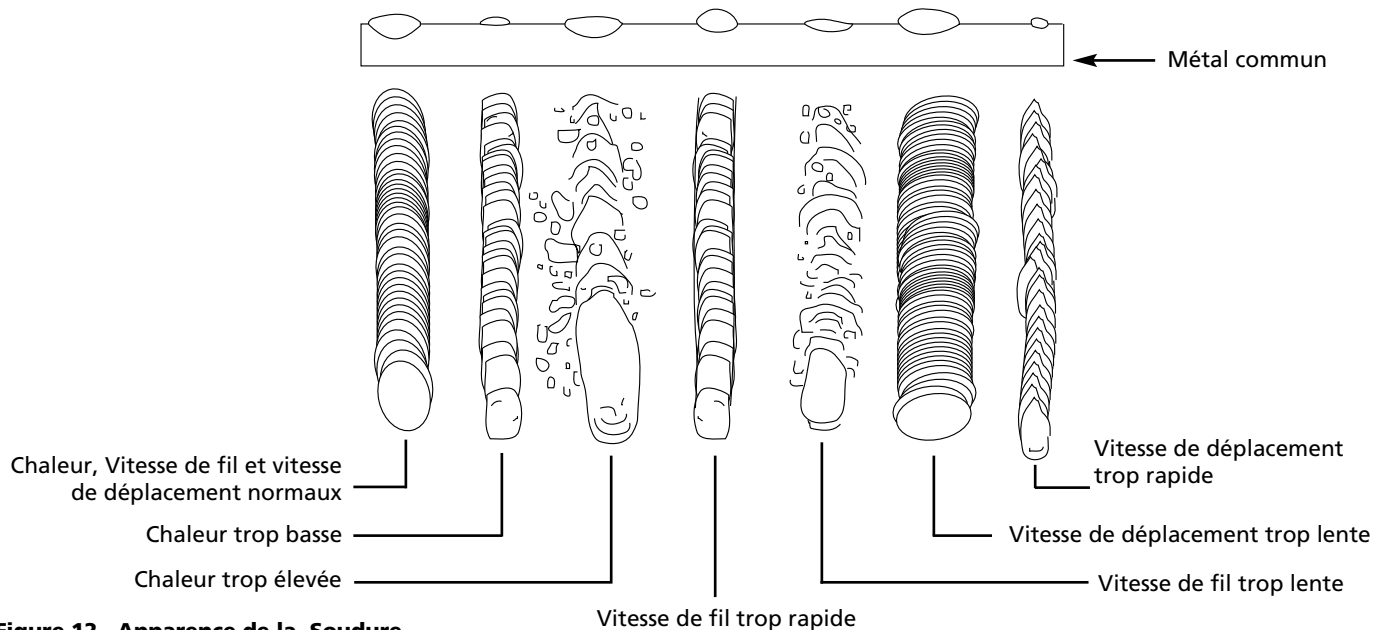


Figure 12 - Apparence de la Soudure

effet sur la qualité de la soudure (Voir Figure 12). Lorsque la vitesse est trop rapide, le cordon est étroit et les ondulations du cordon sont pointues comme indiqué. Lorsque la vitesse est trop lente, la soudure se tasse et le cordon est haut et large. Pour **l'aluminium**, la vitesse de déplacement est typiquement plus rapide.

### ENLEVAGE DE SCORIE (FIL FOURRÉ DE FLUX SUELEMENT)

**AVERTISSEMENT** Porter des lunettes protectrices approuvées ANSI (ANSI Standard Z87.1) et des vêtements protecteurs pendant l'enlèvement de la scorie chaude. Le débris chaud et volant peut causer des blessures aux personnes dans l'endroit.

Après avoir complété la soudure, attendre que les sections de soudure se refroidissent. Une couche protectrice appelée scorie couvre le cordon de soudure et empêche la réaction du métal fondu avec les polluants dans l'air. La scorie peut être enlevée une fois que la soudure s'est refroidie et n'est plus rouge. Enlever la scorie avec un marteau à buriner. Frapper la scorie légèrement avec le marteau et la dégager du cordon de soudure. Finir avec une brosse métallique.

### REMARQUE

Enlever la scorie avant chacune des passes multiples.

### POSITIONS DE SOUDAGE

Il y a quatre positions générales de soudage; plate, horizontale, verticale et aérienne. Le soudage dans une position plate est la plus facile. La vitesse peut être augmentée, le métal fondu coule moins, une meilleure pénétration est possible et le travail est moins fatiguant. Le soudage est effectué avec le fil à un angle de déplacement de 45° et un angle de travail de 45°.

Autres positions exigent autres techniques telles que le tissage, passe circulaire et le jogging. Un niveau de plus grande compétence est exigé pour ces soudures.

La soudure aérienne est la position plus difficile et dangereuse. Le réglage de la chaleur et la sélection du fil varient selon la position.

Tout le travail devrait être effectué dans la position plate si possible. Pour les applications spécifiques, consulter un manuel technique de soudage.

### PASSES DE SOUDAGE

Quelques fois il est nécessaire d'utiliser plus d'une passe pour remplir le joint. La première passe est la passe de base, suivie par la passe de remplissage et la passe de finition. Si les pièces sont épaisses, il peut être nécessaire de bisauter les bords qui sont unis à un

angle de 60°. Enlever la scorie avant chaque passe pour le procédé Sans Gaz.

### TECHNIQUE POUSSER VS TIRER

Le type et l'épaisseur de la pièce de travail agissent sur la direction de la buse du pistolet. Pour des matériaux minces, (calibre 18 et plus) et tout l'aluminium, la buse devrait être dirigée en avant de la flaque de soudure et devrait **pousser** la flaque à travers de l'objet de travail. Pour de l'acier épais, la buse devrait être dirigée dans la flaque de soudure pour augmenter la pénétration de la soudure. Ceci est la technique main-arrière ou **tirer** (Voir Figure 15).

### SOUDAGE ALUMINIUM

Toute surface aluminium doit être bien nettoyée avec une brosse en acier inoxydable pour éliminer les oxydes sur la surface de **soudure** et **meulage**. Le gaz Argon 100% **doit** être utilisé pour le soudage d'aluminium. Sinon, il n'y aura pas de pénétration.

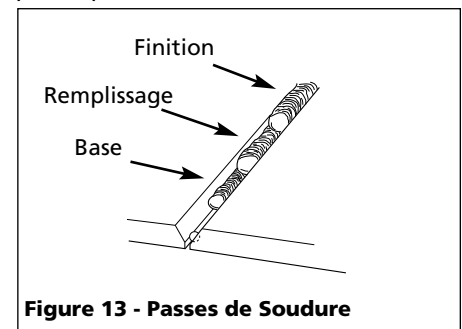


Figure 13 - Passes de Soudure



## Directives De Soudage (suite)

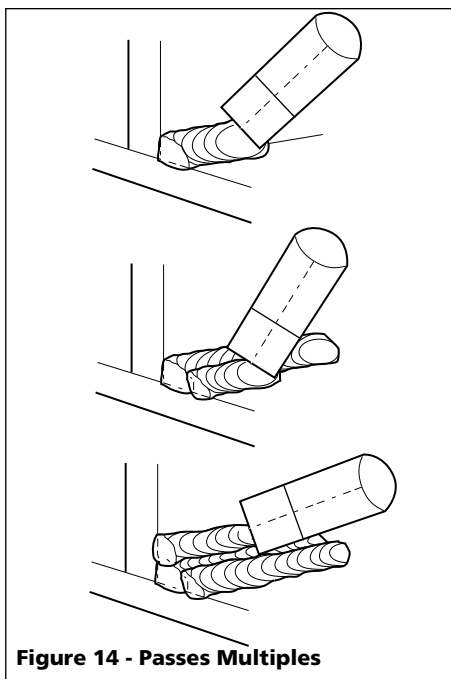


Figure 14 - Passes Multiples

### Remplacement du Cordon d'Alimentation

1. Vérifier que le soudeur soit HORS CIRCUIT (OFF) et que le cordon d'alimentation soit débranché.
2. Enlever le couvercle du soudeur afin d'exposer l'interrupteur ON/OFF.
3. Déconnecter les fils noir et blanc du cordon d'alimentation qui sont branchés à l'interrupteur ON/OFF.
4. Déconnecter le fil vert du cordon d'alimentation qui est branché au bâti du soudeur.
5. Desserrer la(les) vis de tension du cordon et tirer le cordon de l'appareil de soulagement de tension.

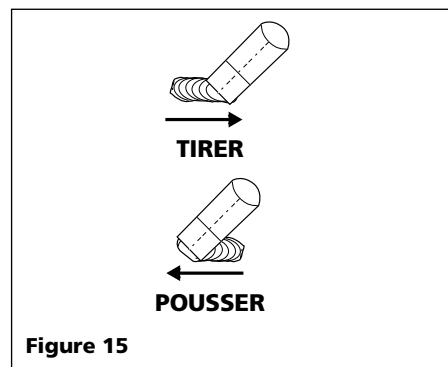


Figure 15

6. Installer le nouveau cordon en suivant les étapes à l'envers.

Pour des informations concernant ce produit, composer le 1-800-746-5641

## Guide de dépannage - Soudeur

Symptôme	Cause(s) Possible(s)	Mesure Corrective
Manque de puissance	<ol style="list-style-type: none"> <li>1. Facteur d'utilisation dépassé</li> <li>2. Raccord au collier de mise à la terre insuffisant</li> <li>3. Interrupteur défectueux</li> <li>4. Disjoncteur ou fusible sauté</li> </ol>	<ol style="list-style-type: none"> <li>1. Permettre que le soudeur se refroidisse jusqu'à ce que la lampe de l'indicateur ON/OFF s'éteint</li> <li>2. S'assurer que tous les raccords soient sûrs et que la surface d'attache soit propre</li> <li>3. Remplacer l'interrupteur</li> <li>4. Réduire la charge sur le circuit, rajuster le disjoncteur ou remplacer le fusible</li> </ol>
Le fil s'emmêle au rouleau d'entraînement	<ol style="list-style-type: none"> <li>1. Bout du pistolet de taille incorrecte</li> <li>2. Chemise du pistolet obstruée ou endommagée</li> <li>3. Bout du pistolet obstrué ou endommagé</li> <li>4. Rouleau d'entraînement usé</li> <li>5. Tension insuffisante</li> </ol>	<ol style="list-style-type: none"> <li>1. Utiliser un bout de taille correcte</li> <li>2. Nettoyer ou remplacer la chemise du pistolet</li> <li>3. Nettoyer ou remplacer le bout du pistolet</li> <li>4. Remplacer</li> <li>5. Serrer la vis de tension</li> </ol>
La buse du pistolet arc à la surface de travail	Scorie dans la buse du pistolet	Nettoyer la scorie de la buse du pistolet
Collier de mise à la terre et/ou le câble deviennent chauds	<ol style="list-style-type: none"> <li>1. Raccordement insuffisant</li> <li>2. Utilisation d'un cordon prolongateur trop long</li> </ol>	<ol style="list-style-type: none"> <li>1. S'assurer que tous les raccords soient sûrs et que la surface d'attache soit propre</li> <li>2. N'utilisez pas un cordon prolongateur plus que 20 pi de longueur</li> </ol>
Le fil ne s'avance pas	<ol style="list-style-type: none"> <li>1. Fil étranglé</li> <li>2. Plus de fil</li> <li>3. Tension insuffisante</li> <li>4. Chemise de fil usée</li> <li>5. Fusible sauté</li> <li>6. Fil débranché à l'intérieur</li> <li>7. Pointe de contact obstruée</li> </ol>	<ol style="list-style-type: none"> <li>1. Recharger le fil</li> <li>2. Remplacer la bobine de fil</li> <li>3. Serrer la vis de tension si le fil patine</li> <li>4. Remplacer la chemise</li> <li>5. Remplacer la fusible sur la plaque de contrôle d'entraînement de fil dans le soudeur (1,6 A à retardement)</li> <li>6. Appeler 1-800-746-5641 pour l'assistance</li> <li>7. Remplacer la pointe de contact</li> </ol>
Le fil (Aluminium) brûle dans la pointe ou le métal (Aluminium) produit des bulles ou brûle à travers	<ol style="list-style-type: none"> <li>1. Vitesse de fil trop lente</li> <li>2. Vitesse de déplacement trop lente ou chaleur trop élevée</li> </ol>	<ol style="list-style-type: none"> <li>1. Vitesse de fonctionnement entre 7 - 10</li> <li>2. Augmenter la vitesse de déplacement ou diminuer le réglage de chaleur</li> </ol>

## Guide de dépannage - Soudures

Symptôme	Cause(s) Possible(s)	Mesure Corrective
Cordon de soudure trop mince par intervalles	<ol style="list-style-type: none"> <li>1. Vitesse de déplacement irrégulière</li> <li>2. Réglage de chaleur de sortie trop bas</li> </ol>	<ol style="list-style-type: none"> <li>1. Diminuer et maintenir une vitesse de déplacement constante</li> <li>2. Augmenter le réglage de chaleur de sortie</li> </ol>
Cordon de soudure trop épais par intervalles	<ol style="list-style-type: none"> <li>1. Vitesse de déplacement lente et/ou irrégulière</li> <li>2. Réglage de chaleur de sortie trop élevé</li> </ol>	<ol style="list-style-type: none"> <li>1. Augmenter et maintenir une vitesse de déplacement constante</li> <li>2. Diminuer le réglage de chaleur de sortie</li> </ol>
Enfoncements en lambeaux au bord de la soudure	<ol style="list-style-type: none"> <li>1. Vitesse de déplacement trop rapide</li> <li>2. Vitesse de fil trop rapide</li> <li>3. Réglage de chaleur de sortie trop élevé</li> </ol>	<ol style="list-style-type: none"> <li>1. Diminuer la vitesse de déplacement</li> <li>2. Diminuer la vitesse de fil</li> <li>3. Diminuer le réglage de chaleur de sortie</li> </ol>
Le cordon de soudure ne pénètre pas le métal commun	<ol style="list-style-type: none"> <li>1. Vitesse de déplacement irrégulière</li> <li>2. Réglage de chaleur de sortie trop bas</li> <li>3. Manque de niveau bas de gaz protecteur</li> <li>4. Type de gaz incorrect (Aluminium)</li> <li>5. Cordon prolongateur trop long</li> <li>6. Accumulation possible d'oxydes sur la surface (Aluminium)</li> </ol>	<ol style="list-style-type: none"> <li>1. Diminuer et maintenir une vitesse de déplacement constante</li> <li>2. Augmenter le réglage de chaleur de sortie</li> <li>3. Utiliser le gaz pour la méthode MIG ou remplir la bouteille</li> <li>4. Utiliser le gaz Argon 100% seulement</li> <li>5. N'utilisez pas un cordon prolongateur plus que 20 pi de long</li> <li>6. Bien nettoyer la surface avec une brosse métallique seulement</li> </ol>
Le fil crache et se colle	<ol style="list-style-type: none"> <li>1. Fil humide</li> <li>2. Vitesse de fil trop rapide</li> <li>3. Type de fil incorrect</li> <li>4. Manque de niveau bas de gaz protecteur</li> </ol>	<ol style="list-style-type: none"> <li>1. Utiliser un fil sec et l'entreposer dans un endroit sec</li> <li>2. Diminuer la vitesse de fil</li> <li>3. Utilisez le fil fourré de flux si vous n'utilisez pas de gaz</li> <li>4. Utiliser le gaz pour la méthode MIG ou remplir la bouteille</li> </ol>

## Garantie Limitée 5-3-1

**1. Durée:** Le fabricant garantit la réparation, sans frais pour les pièces et main-d'oeuvre, le Soudeur, le Pistolet Soudeur, Câbles, qui se sont révélés défectueux en matière ou fabrication, pendant les durées suivantes après la date d'achat initial:

Pour 5 Ans: Le Transformateur de Soudeur et Redresseur

Pour 3 Ans: Le Soudeur En Entier (à l'exclusion des colliers, pistolet, câbles, ou accessoires emballés avec le soudeur)

Pour 1 An: Colliers De Mise À La Terre, Pistolet MIG, Porte-électrodes, Accessoires, et Câbles de Soudage (si applicable)

**2. Garantie Accordée Par (Garant):**

Campbell Hausfeld/ A Scott Fetzer Company

100 Production Drive

Harrison, OH 45030

Telephone: (513)-367-4811

**3. Bénéficiaire De Cette Garantie (Acheteur):** L'acheteur initial du produit Campbell Hausfeld .

**4. Couverture De La Présente Garantie:** Défauts de matière et de fabrication qui se révèlent pendant la période de validité de la garantie. Cette garantie comprend le Soudeur, le Transformateur du Soudeur et Redresseur, Pistolet du Soudeur ou le Porte-Électrode, et câbles seulement.

**5. La Présente Garantie Ne Couvre Pas:**

- Les garanties implicites, y compris celles de commercialisabilité et D'ADAPTION À UNE FONCTION PARTICULIÈRE SONT LIMITÉES EN DURÉE À CETTE GARANTIE. Après cette durée, tout risques de perte, quoi que ce soit, devient la responsabilité de l'acheteur. Certaines Provinces n'autorisant pas de limitations de durée pour les garanties implicites. Les limitations précédentes peuvent donc ne pas s'appliquer.
- TOUT DOMMAGE, PERTE OU DÉPENSE FORTUIT OU INDIRECT POUVANT RÉSULTER DE TOUT DÉFAUT, PANNE OU MAUVAIS FONCTIONNEMENT DU PRODUIT CAMPBELL HAUSFELD. Certaines Provinces n'autorisent pas l'exclusion ni la limitation des dommages fortuits ou indirects. La limitation ou exclusion précédente peut donc ne pas s'appliquer.
- Les accessoires qui sont compris avec le produit et qui sont soumis à l'usure par l'usage normal; la réparation ou le remplacement de ces objets sont la responsabilité de l'acheteur. Ces pièces MIG comprennent, mais ne sont pas limités à; Pointes De Contact, Buses, Doublures de Pistolet, Rouleaux D'Entraînement, Nettoyant pour Fil en Feutre. Additionnellement, cette garantie ne comprend pas le dommage causé par le remplacement ou entretien prématuré des pièces USABLES précédentes.
- Toute panne résultant d'un accident, d'une utilisation abusive, de la négligence ou d'une utilisation ne respectant pas les instructions données dans le(s) manuel(s) accompagnant le produit.
- Service avant livraison, i.e. montage et ajustement.

**7. Responsabilités Du Garant Aux Termes De Cette Garantie:** Réparation ou remplacement, au choix du Garant, des produits ou pièces qui se sont révélés défectueux pendant la durée de validité de la garantie.

**8. Responsabilités De L'Acheteur Aux Termes De Cette Garantie:**

- Livraison ou expédition du produit ou pièce Campbell Hausfeld à Campbell Hausfeld. Taux de frais , si applicable, sont la responsabilité de l'acheteur.
- Utilisation et entretien du produit avec un soin raisonnable, ainsi que le décri(vent)t le(s) muel(s) d'utilisation.

**9. Réparation ou Remplacement Effectué Par Le Garant Aux Termes De La Présente Garantie:** La réparation ou le remplacement sera prévu et exécuté en fonction de la charge de travail dans le centre d'entretien et dépendra de la disponibilité des pièces de rechange.

Cette garantie limitée confère des droits précis. L'acheteur peut également jouir d'autres droits qui varient d'une Province à l'autre.

**Schéma d'installation de fils WG3000**

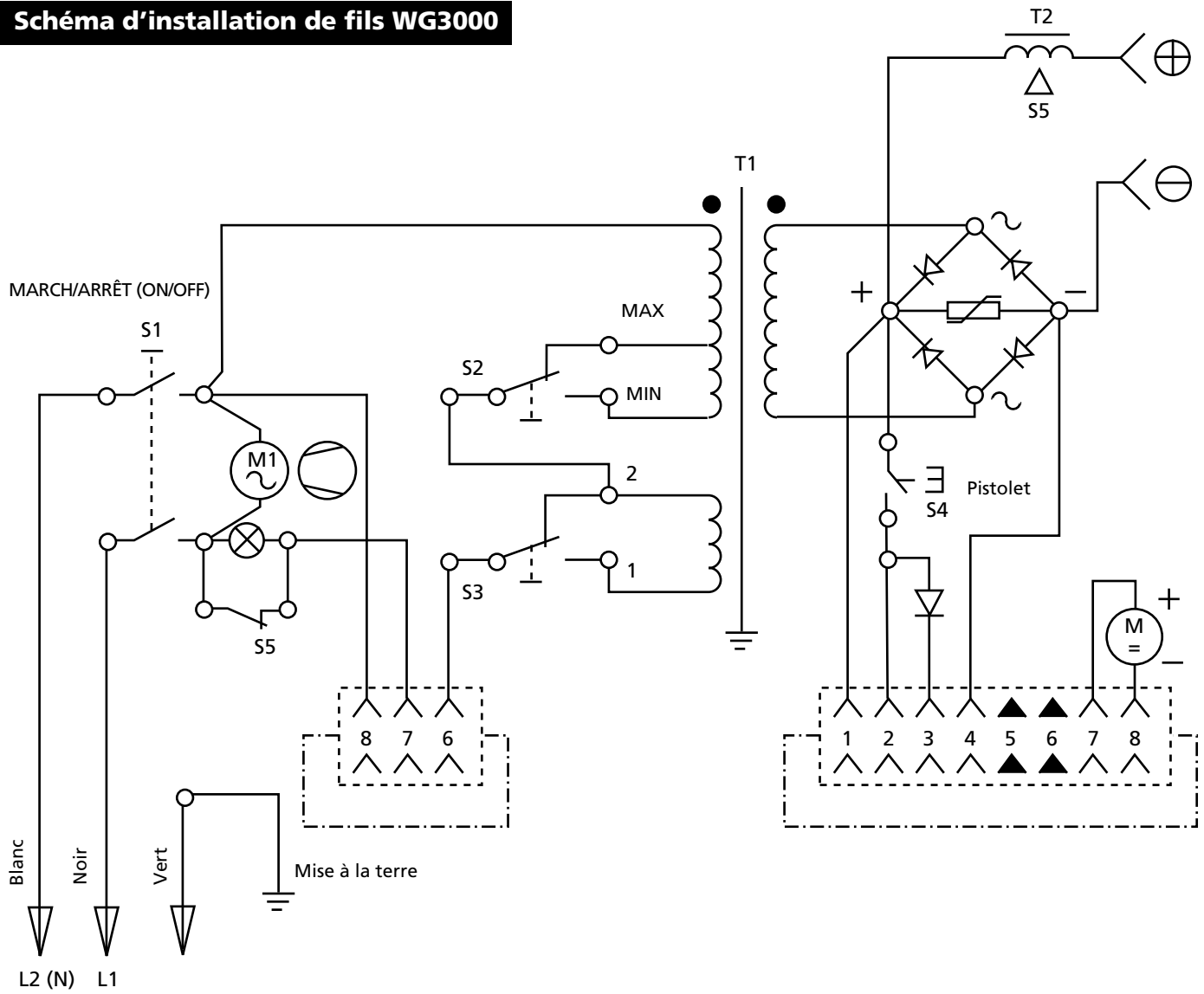
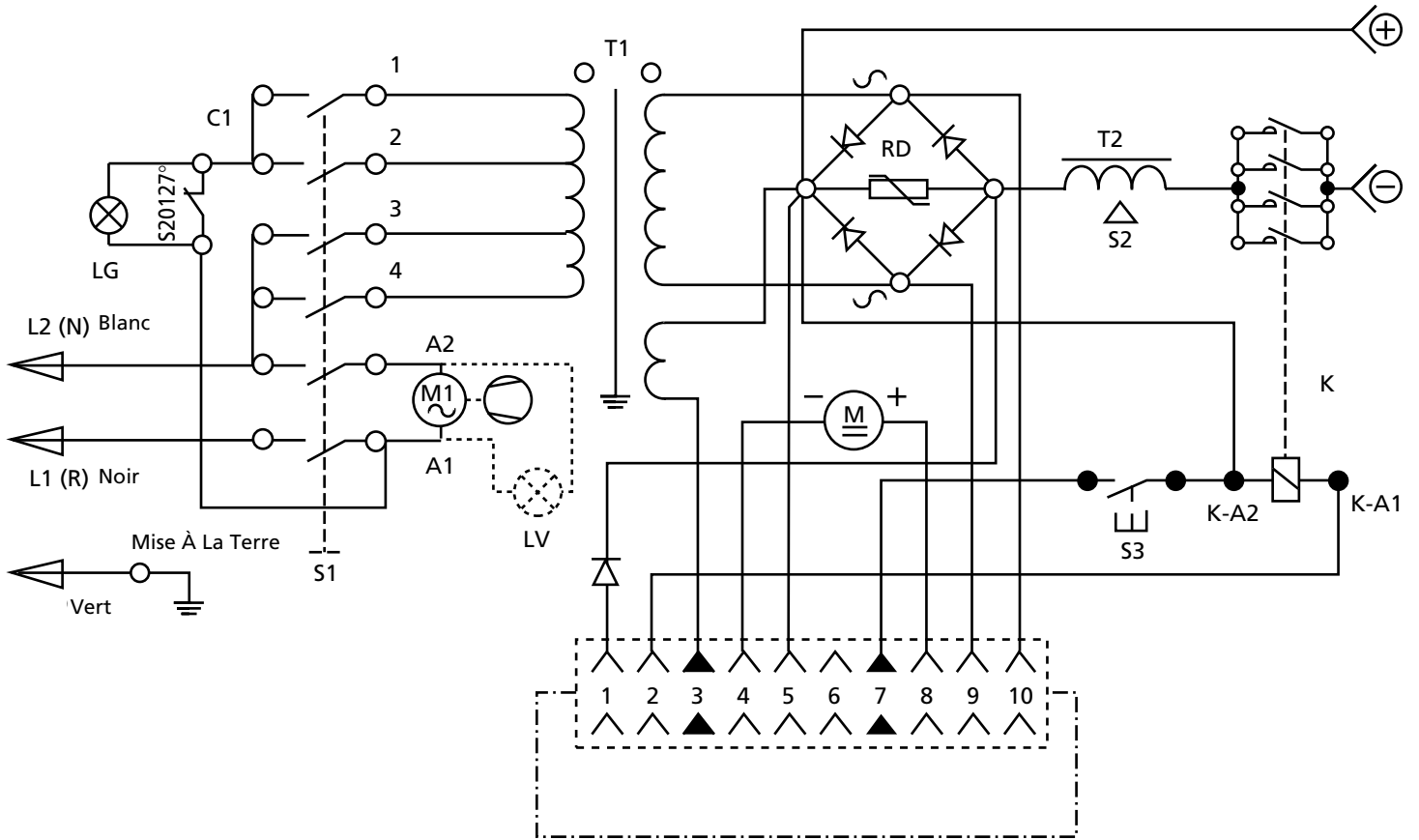
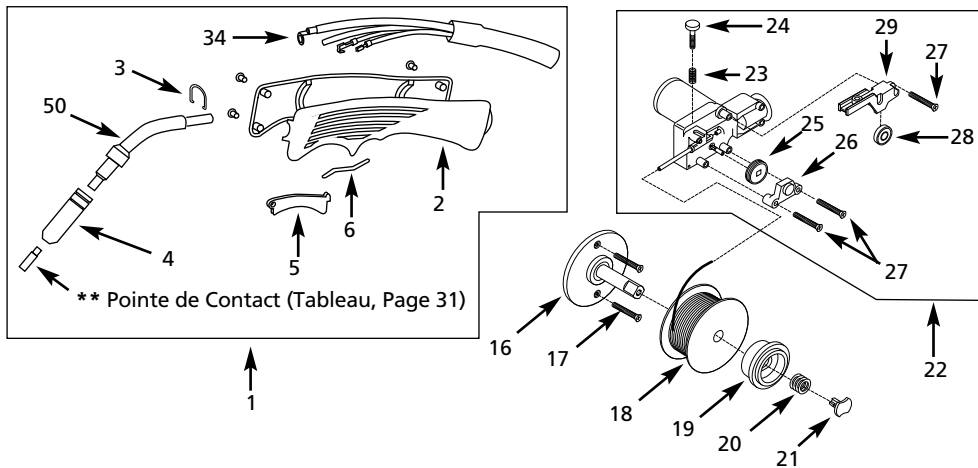


Schéma d'installation de fils WG3060



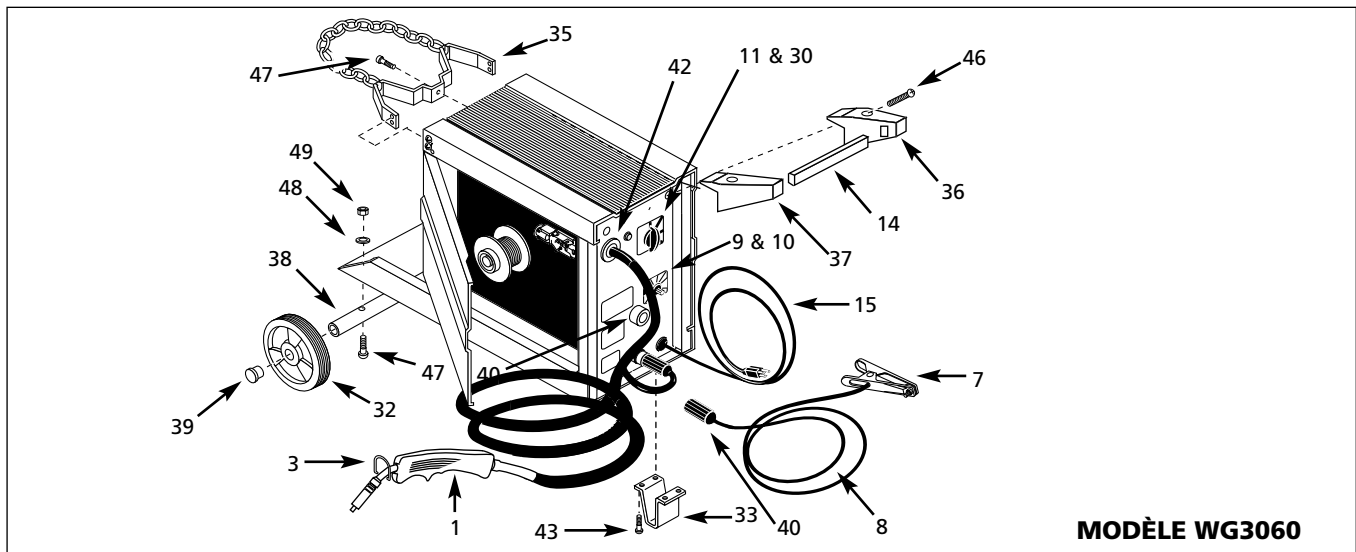
**Pour pièces de rechange, composer 1-800-746-5641**



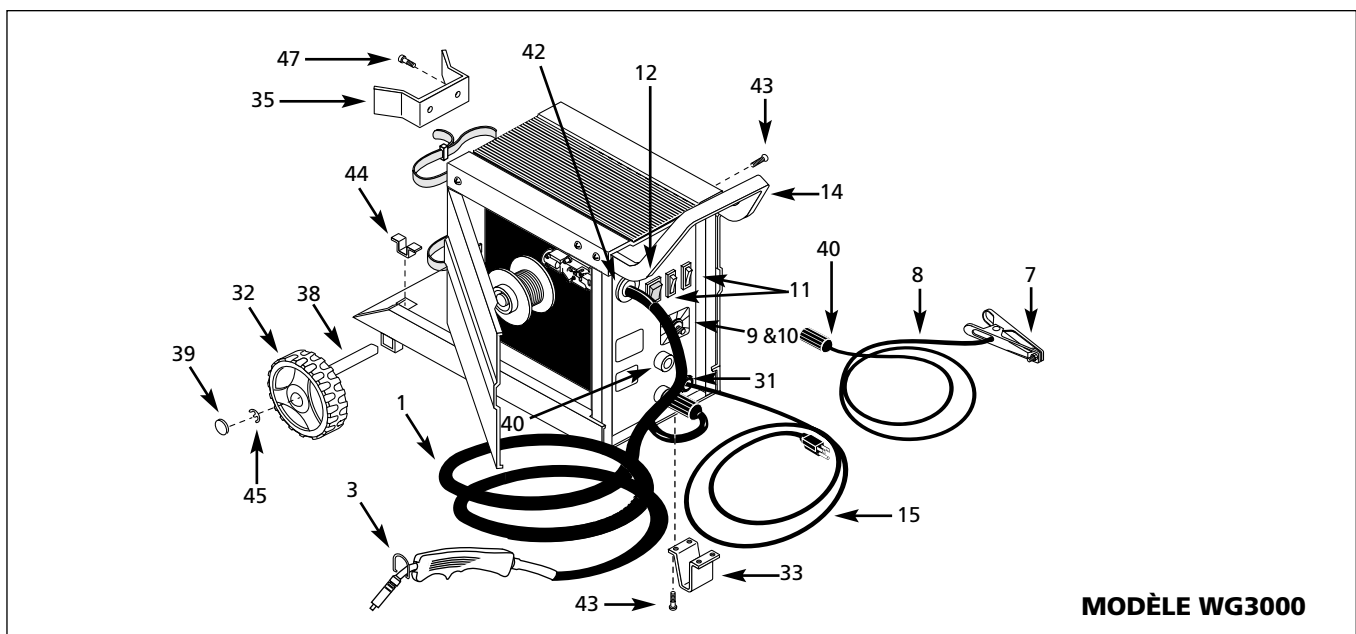
*S'il vous plaît fournir l'information suivante:*

- Numéro de modèle
- Numéro de série (si applicable)
- Numéro et description de la pièce

*Correspondance:*  
 The Campbell Group  
 Attn: Parts Department  
 100 Production Drive  
 Harrison, Ohio 45030 U.S.A.



**MODÈLE WG3060**



**MODÈLE WG3000**



**Liste De Pièces De Rechange - Modèles WG3000 et WG3060**

N° de Réf.	Description	Numéro de pièces pour modèles:		Qté.
		WG3000	WG3060	
1	Assemblage de chalumeau et tuyau (Nos. 2-6, 34 et 50 compris)	WC600700AV	WC600700AV	1
2	Corps du chalumeau, avant et arrière	WC600201AV	WC600201AV	1
3	Attache du crochet	WC600003AV	WC600003AV	1
4	Buse, type Tweco®	WT502100AJ	WT502100AJ	1
5	Bouton de gâchette	WC600202AV	WC600202AV	1
6	Ressort de contact de chalumeau	WC600203AV	WC600203AV	1
7	Collier de mise à la terre (Cordon non-compris)	WC100100AV	WC100100AV	1
8	Câble de soudage 8 AWG (1,83 m)	*	*	1
9	Bouton de vitesse de fil	WC400201AV	WC400201AV	1
10	Panneau de contrôle pour vitesse de fil	WC400200AV	WC400600AV	1
11	Interrupteur de sélection de chaleur	WC400300AV	—	2
	Interrupteur de sélection de chaleur	—	WC400500AV	1
12	Interrupteur on/off	WC400000AV	—	1
13	Décalcomanie de sécurité	DK670100AV	DK670100AV	1
14	Poignée	WC300600AV	WC300700AV	1
15	Cordon d'alimentation 14-3 AWG (1,83 m) Type SJT	WC000100AV	WC000100AV	1
16	Broche de bobine	WC500300AV	WC500300AV	1
17	Vis à métaux #10 - 32 x 0,5 po	*	*	2
18	Fil fourré de flux diamètre 0,035 po (0,9 mm)	WE200500AJ	WE200500AJ	1
19	Adaptateur de bobine	WC500200AV	WC500200AV	1
20	Ressort de bobine	WC500101AV	WC500101AV	1
21	Moyeu de serrage de bobine	WC500100AV	WC500100AV	1
22	Assemblage d'entraînement (Nos. 23-29 compris)	WC500000AV	WC500400AV	1
23	Ressort de tension	WC500003AV	WC500003AV	1
24	Vis de tension	WC500002AV	WC500002AV	1
25	Rouleau 0,6 -0,9 mm ( 0,024 - 0,035 po)	WC500001AV	WC500001AV	1
26	Couvercle de rouleau	WC500004AV	WC500004AV	1
27	Vis #8 - 36 x 1,5 po	*	*	3
28	Bras articulé	WC500005AV	WC500005AV	1
29	Galet pivoté	WC500007AV	WC500007AV	1
30	Bouton de sélection de chaleur	—	WC400401AV	1
31	Soulagement de tension	WC102000AV	WC102000AV	2
32	Roue	WC701200AV	WC701300AV	2
33	Pied, avant	WC702100AV	WC702300AV	1
34	Chemise, métal	WC600007AV	WC600007AV	1
35	Support de bouteille de gaz	WC702200AV	WC702400AV	1
36	Support de manche (Droit)	—	WC300800AV	1
37	Support de manche (Gauche)	—	WC300900AV	1
38	Arbre	WC703100AV	WC703200AV	1
39	Moyeu de roue	WC703500AV	WC703400AV	1
40	Raccord dinse	WC000200AV	WC000200AV	2
41	Prise dinse	WC000300AV	WC000300AV	2
42	Bague de chalumeau	WC600009AV	WC600009AV	1
43	Vis #10 - 24 x 1/2 po	*	*	9
44	Support d'arbre	WC703600AV	—	2
45	Bague en E, 5 mm D.I.	*	—	2
46	Vis #10 - 24 x 2 po	—	*	2
47	Vis #8 - 36 x 1 po	—	*	2
48	Rondelle plate #8	—	*	2
49	Écrou #8 - 36	—	*	2
50	Col de Cygne avec Diffuseur	WC600701AV	WC600701AV	1

\* Quincaillerie ordinaire, disponible dans votre quartier ou de votre fournisseur de matériaux de soudage

FIL EN OPTION		
Type	Description	Numéro de pièce
Mig	ER70S6 ,024 po	WE300000AJ
Mig	ER70S6 ,030 po	WE300500AJ
Mig	ER70S6 ,035 po	WE301000AJ
Flux	E71T-GS ,030 po	WE200000AJ
Flux	E71T-GS ,035 po	WE200500AJ

** POINTES DE CONTACT EN OPTION			
Taille		Numéro de Pièce	
mm	po		
0,6	0,024	WT501200AV	
0,8	0,030	WT501300AV	
0,9	0,035	WT501400AV	

## Lexique de Termes de Soudage

**CA ou Courant Alternatif** - courant électrique qui change de direction périodiquement. Le courant à soixante cycles voyage dans les deux directions soixante fois par seconde.

**Longueur de L'Arc** - La distance du bout de l'électrode jusqu'au point où l'arc contacte la surface de travail.

**Métal Commun** - le matériel qui doit être soudé.

**Joint en Bout** - un joint entre deux pièces qui sont alignées approximativement dans le même plan.

**Cratère** - une flaque ou poche qui est produite quand l'arc contacte le métal commun.

**CC ou Courant Continu** - courant électrique d'une direction seulement. La polarité (+ ou -) détermine la direction du courant.

**CC Polarité Inversée** - quand le porte-électrode est branché au pôle positif du soudeur. La Polarité Inversée dirige plus de chaleur dans l'électrode plutôt que sur l'objet de travail pour l'utilisation sur les matériaux plus minces.

**CC Polarité Ordinaire** - quand le porte-électrode est branché au pôle négatif du soudeur. Plus de chaleur est dirigé vers l'objet de travail pour meilleur pénétration des matériaux épais.

**Électrode** - un fil en métal enrobé ayant approximativement la même composition du matériel qui doit être soudé.

**Soudure en Cordon** - dimension approx. d'un triangle, profil en travers, qui uni les deux surfaces à angles droits en soudure à recouvrement, en T ou en coin.

**Flux** - un enduit qui produit un gaz protecteur autour de l'endroit de soudage lors du chauffage. Ce gaz protège les métaux de base et d'apport contre les impuretés de l'air.

**Soudure À L'Arc Fourré de Flux (FCAW)** - ou Sans Gaz est une méthode de soudage utilisée avec un soudeur à alimentation en fil. Le fil de

soudage est tubulaire avec du flux à l'intérieur pour la protection.

**Soudure À L'arc Au Chalumeau (GMAW)** - la soudure MIG est une méthode utilisée avec un soudeur à alimentation en fil. Le fil est solide et un gaz inerte est utilisé pour la protection.

**Soudure À L'Arc Tungstène Au Chalumeau (GTAW)** - la soudure TIG est une méthode de soudage utilisée avec de l'équipement de soudage qui a une génératrice à haute fréquence. L'arc est crée entre un électrode tungstène non-usable et l'objet de travail. Un bouche-pores peut être utilisé.

**Soudure à Recouvrement** - un joint entre deux pièces en chevauchement.

**Tension au Repos (OCV)** - la tension entre l'électrode et le collier de mise à la terre quand il n'y a pas de flux de courant (pas de soudage). Ceci détermine la vitesse auquelle l'arc est amorcé.

**Chevauchement** - se produit quand le réglage d'ampérage est trop bas. En ce cas, le métal fondu tombe de l'électrode sans se fondre dans le métal commun.

**Porosité** - des soufflures, ou creux formés pendant la solidification de la soudure qui affaiblissent la soudure.

**Pénétration** - la profondeur que la chaleur affecte l'objet pendant la soudure. Une soudure de haute qualité est celle qui atteint 100% de pénétration. C'est à dire que l'objet de travail en entier a été chauffé et solidifié à nouveau. Les endroits affectés par la chaleur devraient être visibles sur l'inverse de la soudure.

**Soudure À L'Arc Au Métal Enrobé (SMAW)** - est une méthode de soudage qui utilise une électrode usable pour soutenir un arc. L'enduit de flux fondu sur l'électrode fournit la protection.

**Scorie** - une couche d'encrassement de flux qui protège la soudure des oxydes et autres polluants pendant le refroidissement de la soudure. Enlever

la scorie après que la soudure s'est refroidie.

**Bavure** - particules métalliques volantes qui se refroidissent sur la surface de travail. La bavure peut être diminuée si vous utilisez un agent vaporisateur qui résiste la bavure sur l'objet de travail avant de souder.

**Point de Soudure** - une soudure utilisée pour tenir les pièces en alignement jusqu'à ce que les soudures actuelles soient complétées.

**L'Angle de Déplacement** - l'angle de l'électrode dans la ligne de soudure. Ceci varie entre 5° et 45° selon les conditions.

**Joint en T** - placer le bord d'un morceau de métal sur l'autre à un angle de 90°. **Caniveau** - une condition résultant d'un ampérage trop haut qui produit une rainure dans le métal commun le long des deux côtés du cordon de soudure et sert à affaiblir la soudure.

**Flaque de Soudure** - un volume de métal fondu dans une soudure avant sa solidification.

**Cordon de Soudage** - une(des) couche(s) étroite(s) de métal placé(s) sur le métal commun pendant que l'électrode fonde. Le cordon de soudage est typiquement deux fois le diamètre de l'électrode.

**Angle de Travail** - l'angle de l'électrode du horizontal mesuré à angle droit de la ligne de soudure.

Sírvase leer y guardar estas instrucciones. Lea con cuidado antes de tratar de armar, instalar, manejar o darle servicio al producto descrito en este manual. Protéjase Ud. y a los demás observando todas las reglas de seguridad. El no seguir las instrucciones podría resultar en heridas y/o daños a su propiedad. Guarde este manual como referencia.



# Soldadora Con Arco Con Alambre Continuo



## Descripción

Esta línea de soldadoras con arcos de Campbell Hausfeld está diseñada para usarse con corriente estándar de 115 voltios. Estas soldadoras le ofrecen una perilla para controlar la velocidad del alambre que le permite seleccionar con exactitud la velocidad necesaria para diferentes tipos de soldaduras. Los componentes internos tienen un sistema de protección termostática.

Estas soldadoras están diseñadas para soldar con arcos eléctricos (sin gas) o con gases inertes (Mig). La unidad incluye una bobina pequeña de alambre de fundente revestido de 0,9 mm y una boquilla de 0,040.

### Para desempacar

**Algunas piezas de la soldadora se encuentran en el compartimiento para almacenar el alambre.**

Al desempacar este producto, revíselo con cuidado para cerciorarse de que esté en perfecto estado. Si la soldadora está dañada o le faltan piezas comuníquese con el distribuidor de Campbell Hausfeld más cercano a su domicilio.

### Requerimientos eléctricos

#### ⚠ PRECAUCION

*Este equipo debe conectarse a un circuito de 115 voltios. En la tabla a continuación se le explica el tipo de cortacircuitos o fusibles necesarios. Nunca conecte otros artefactos, lámparas o herramientas al mismo circuito donde está conectada la soldadora. No le recomendamos el uso de cordones de extensión. Si no sigue esta recomendación podría activarse el cortacircuitos o quemarse los fusibles.*

Díam. del Electrodo	Cortacircuito o Fusible de acción retardada	
1-2	15 amp	
3-4	20 amp	

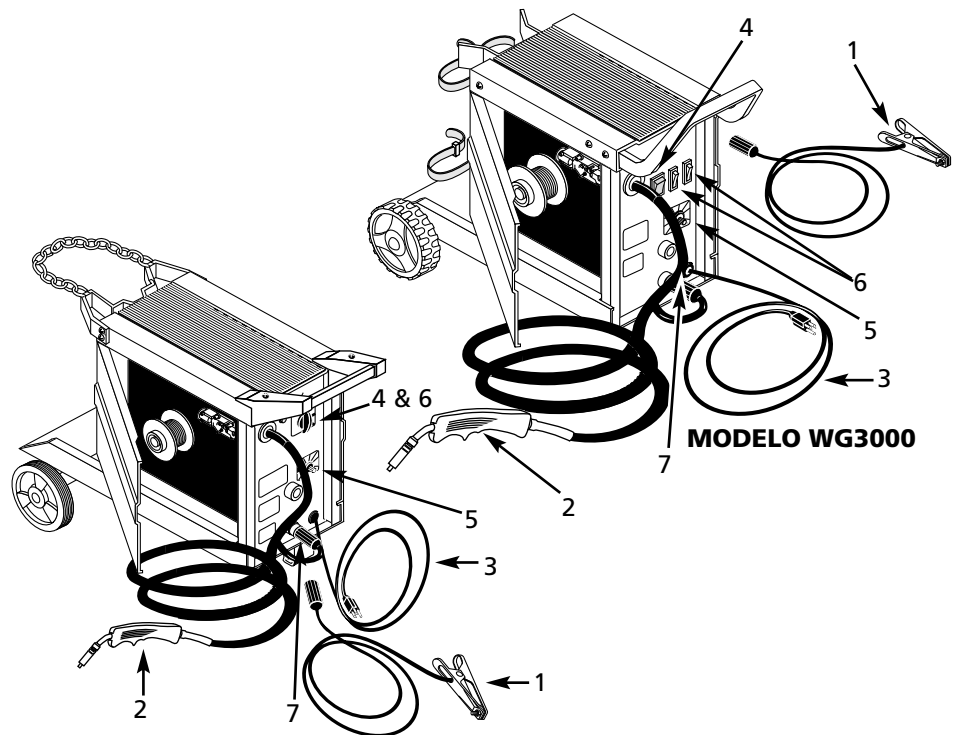


Figura 1

MODELO WG3060

### Componentes y Controles

- Pinza** - conéctela a la pieza de trabajo.
- Pistola para alimentar el alambre con boquilla de 0,040.**
- Cordón eléctrico** - conéctelo a un tomacorrientes de 115 voltios.
- Interruptor**
- Perilla para controlar la velocidad** - Gírela en el mismo sentido de las agujas del reloj para aumentar la velocidad de alimentación del alambre y en el sentido contrario para disminuirla.
- Perilla para controlar el amperaje** - Para seleccionar la energía eléctrica para soldar. Le permite seleccionar 4 niveles.

- Conexión de la polaridad** - Para soldar con gases inertes (MIG), conecte el cable del soplete al (+) y conéctelo al (-) para soldar con alambres con fundente revestido.

### Medidas de Seguridad

#### ⚠ PELIGRO

Ésto le indica

que hay una situación que le ocasionará la muerte o heridas de gravedad si ignora la advertencia.

#### ⚠ ADVERTENCIA

Ésto le indica

que hay una situación que podría ocasionarle la muerte o heridas de gravedad si ignora la advertencia.

#### ⚠ PRECAUCION

Ésto le indica

que hay una situación que podría

## Medidas de Seguridad (Continuación)

ocasionarle heridas leves o moderadas si ignora la advertencia. Igualmente, le puede indicar una situación que podría ocasionarle daños a su propiedad.

**NOTA:** Ésto le indica cualquier información adicional sobre el producto o el uso adecuado del mismo.

**⚠ ADVERTENCIA** El soplete siempre tiene "corriente eléctrica" (o podría tenerla) cuando la unidad está encendida (Sólo en el modelo WG3000).

### ⚠ ADVERTENCIA

Siempre mantenga un extinguidor de incendio accesible cuando esté soldando con arcos eléctricos.



- Antes de encender o darle servicio a las soldadoras eléctricas de arco, debe leer y comprender todas las instrucciones. Si no sigue las medidas de seguridad e instrucciones suministradas en el manual, podría ocasionarle daños al equipo, y/o sufrir heridas graves o la muerte.
- Todos los trabajos de instalación, mantenimiento, reparación y operación de esta soldadora deben ser hechos por una persona calificada siguiendo los códigos nacionales, estatales y locales.



### ⚠ ADVERTENCIA

¡El uso inadecuado de soldadoras de arcos eléctricos de arco podría ocasionarle choques eléctricos, heridas y la muerte! Siga todas las instrucciones suministradas en este manual para reducir las posibilidades de electrocutamiento.

- Cerciórese de que todos los componentes de la soldadora de arcos eléctricos estén limpios y en buen estado antes de utilizarla. Cerciórese de que los forros aislantes de todos los cables, pinzas porta-electrodos y cordones eléctricos no estén dañados. Siempre repare o reemplace las piezas dañadas antes de utilizar la soldadora. Siempre mantenga todas las tapas de la soldadora en su lugar mientras la esté utilizando.
- Siempre use vestimenta adecuada para soldar que esté seca, al igual que guantes y zapatos aislantes para soldadores.
- Use la soldadora sólo en áreas limpias, secas y bien ventiladas. No

la use en áreas húmedas, mojadas o que no estén bien ventiladas.

- Antes de comenzar a soldar con esta soldadora, cerciórese de que la pieza esté bien fija y conectada a tierra.
- Debe desenrollar los cables de la soldadora para evitar que se sobrecalienten y se les dañe el forro aislante.

### ⚠ PELIGRO

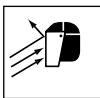
¡Nunca sumerja el alambre ni la pistola en agua! Si la soldadora se moja por cualquier motivo, cerciórese de que esté completamente seca antes de tratar de usarla.

- Siempre apague la unidad y desconéctela antes de moverla a otro sitio.
- Siempre conecte el cable de conexión a tierra primero.
- Cerciórese de que la pieza esté conectada a tierra adecuadamente.
- Siempre apague la soldadora de arcos eléctricos y córtela el resto de alambre a la pistola cuando no la esté usando.
- Nunca toque el alambre de fundente y la tierra o pieza conectada a tierra al mismo tiempo.
- Al soldar en ciertas posiciones o condiciones puede tener peligro de electrocutamiento. Al estar en cuclillas, arrodillado o en alturas, cerciórese de aislar todas las piezas que puedan conducir electricidad, use ropa adecuada para soldar y tome precauciones para no caerse.
- Nunca trate de usar este equipo con corrientes eléctricas o ciclajes diferentes a los especificados en las etiquetas.
- Nunca use una soldadora eléctrica para descongelar tuberías que se hayan congelado.

### ⚠ ADVERTENCIA

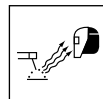
Las chispas y el metal caliente le pueden ocasionar heridas. Cuando la pieza que soldó se enfríe, la escoria podría desprenderse. Tome todas las precauciones descritas en este manual para reducir las posibilidades de que sufra heridas por estas razones.

- Sólo use máscaras aprobadas por la organización norteamericana ANSI o anteojos de seguridad con protección lateral al tratar de cortar o esmerilar piezas de metal.
- Si va a soldar piezas que estén por encima de usted debe protegerse los oídos para evitar que le caigan residuos adentro.



### ⚠ ADVERTENCIA

Al soldar con arcos eléctricos se producen luces intensas, calor y rayos ultravioletas. Éstos le podrían ocasionar heridas en la vista y la piel. Tome todas las medidas de precaución descritas en este manual para reducir las posibilidades de heridas en la vista o la piel.



- Todos los operadores o personas que se encuentren en el área de trabajo mientras estén usando el equipo deben usar la vestimenta adecuada incluyendo: máscara de soldador con los niveles de oscuridad especificados en la tabla a continuación, ropa resistente al fuego, guantes de cuero para soldar y zapatos de protección.

### ⚠ ADVERTENCIA

Nunca mire hacia el área donde está soldando sin protegerse la vista tal como se ha descrito anteriormente. Nunca use lentes oscuros que estén partidos, rotos o de un número menor de 10. Advértale a las otras personas en el área que no deben mirar el arco.

### ⚠ ADVERTENCIA

¡Al soldar con arcos eléctricos puede crear chispas y calentar el metal a temperaturas que le podrían ocasionar quemaduras graves! Use guantes y ropa de protección para hacer este tipo de trabajo. Tome todas las medidas de precaución descritas en este manual para reducir las posibilidades de quemarse la piel o la ropa.



- Cerciórese de que todas las personas que se encuentren en el área de trabajo estén protegidas contra el calor, las chispas, y los rayos ultravioletas. Utilice máscaras y barreras antillamas cuando sea necesario.
- Nunca toque las piezas que ha soldado hasta que éstas se hayan enfriado por completo.

### ⚠ ADVERTENCIA

¡El calor y las chispas producidas al soldar con arcos eléctricos y otros trabajos con metales podrían encender materiales inflamables o explosivos! Tome todas las medidas de precaución descritas en este manual para reducir las posibilidades de llamas o explosiones.



- Mueva todos los materiales inflamables que se encuentren en un perímetro de 10,7 m (35 pies) del área. Si no lo puede hacer, deberá

## Medidas de Seguridad (Continuación)

cubrirlos con algún material que los aisle del fuego.

- No use una soldadora de arcos eléctricos en áreas donde pueda haber vapores inflamables o explosivos.
- Tome todas las precauciones necesarias para evitar que las chispas y el calor ocasionen llamas en áreas poco accesibles, ranuras, detrás de divisiones, etc.

### ⚠ ADVERTENCIA



**¡Peligro de incendio! No suelde envases o tuberías que contengan o hayan contenido materiales inflamables o combustibles gaseosos o líquidos.**

### ⚠ ADVERTENCIA



**Si suelda cilindros cerrados o tambores con soldadoras de arcos eléctricos podría ocasionar explosiones si éstos no están bien ventilados! Cerciórese de que cualquier cilindro o envase que vaya a soldar tenga un orificio de ventilación para liberar los gases.**

### ⚠ ADVERTENCIA



**No respire los gases emitidos al soldar con arcos eléctricos. Éstos son peligrosos. Si no puede ventilar adecuadamente el área de trabajo, cerciórese de usar una máscara para respirar.**

- Mantenga la cabeza y la cara alejada de los humos emitidos al soldar.
- Para soldar metales galvanizados o con baños de cadmio, metales que contengan zinc, mercurio o berilio con arcos eléctricos debe tomar las siguientes precauciones:
  - a. Quítele la capa al metal.
  - b. Cerciórese de que el área de trabajo esté bien ventilada.
  - c. Use un máscara para respirar. Estos metales emiten humos sumamente tóxicos al calentarse.

### ⚠ ADVERTENCIA



**El campo electro-magnético generado al soldar con arcos eléctricos podría interferir con el funcionamiento de varios artefactos eléctricos y electrónicos tales como marcapasos. Aquellas personas que usen estos artefactos le**

**deben consultar a su médico antes de soldar con arcos eléctricos.**

- Coloque los cables de la pistola y de trabajo juntos y únalos con cinta pegante si es posible.
- Nunca se enrolle los cables de la soldadora en el cuerpo.
- Siempre coloque todos los cables de modo que estén del mismo lado del cuerpo.
- El contacto con los campos electromagnéticos producidos al soldar pueden ocasionar problemas de salud desconocidos hasta ahora.

### ⚠ ADVERTENCIA

**Cerciórese de que**

**el área de trabajo esté libre de peligros (chispas, llamas, metales al rojo vivo o escorias) antes de irse. Cerciórese de que ha apagado la soldadora y le ha quitado el electrodo. Cerciórese de que los cables estén enrollados y almacenados. Cerciórese de que tanto el metal como la escoria se hayan enfriado.**

### ⚠ PELIGRO

**Los cilindros pueden explotar si están dañados. Estos cilindros contienen gases a presiones muy altas. Si están dañados, los cilindros pueden explotar. Como generalmente se utilizan cilindros de gases para soldar, cerciórese de manipularlos con mucho cuidado.**



- Proteja los cilindros de gases comprimidos contra temperaturas excesivas, golpes, caídas y arcos eléctricos.
- Instale los cilindros en posición vertical y asegúrelos con una cadena a una base fija o a la base de la unidad para evitar que se caigan o se viren.
- Mantenga los cilindros alejados del área donde esté soldando o de otros circuitos eléctricos.
- Nunca permita el contacto entre el electrodo y los cilindros.
- Use sólo cilindros, reguladores, mangueras y conectores adecuados para el tipo de gases utilizados para soldar; manténgalos en buenas condiciones de trabajo.
- Voltée la cara, en dirección opuesta a la salida de la válvula, cuando la esté abriendo.
- Siempre mantenga la válvula tapada excepto cuando esté usando el cilindro o lo tenga conectado para trabajar.
- Lea las instrucciones sobre cilindros para almacenar gases disponibles en

su país. En EUA le recomendamos que lea la publicación P-1 de la CGA.

### ⚠ PELIGRO

**Nunca use gases**

**inflamables con soldadoras de gases inertes (MIG). Sólo use gases inertes o gases no inflamables tales como dióxido de carbono, argón, helio o mezclas de uno ó más de estos gases apropiados para usarse para soldar con gases inertes.**

### ⚠ ADVERTENCIA

**Nunca alce los**

**cilindros por las válvulas o tapas ni utilice cadenas o eslingas para hacerlo.**

### MEDIDAS DE SEGURIDAD ADICIONALES

Aquellas personas que vivan y trabajen en los Estados Unidos deben percatarse de que según las leyes de este país los siguientes códigos aplican para el trabajo con soldadoras :

ANSI Standard Z49.1, OSHA 29 CFR 1910, NFPA Standard 70, CGA Pamphlet P-1, CSA Standard W117.2, NFPA Standard 51B ANSI Standard Z87.1. Aquellas personas que residan en países latinoamericanos deben consultar los códigos y regulaciones que se apliquen en sus respectivos países. Igualmente, todos los usuarios deben consultar las medidas de seguridad suministradas por los fabricantes de los productos que vayan a utilizar.

## Instalación

Al ubicar la soldadora en un sitio adecuado puede aumentar el rendimiento, la fiabilidad y la duración de la soldadora de arcos eléctricos.

- Para obtener mejores resultados ubique la soldadora en un área que esté limpia y seca. El polvo y las impurezas en la soldadora acumulan la humedad y aumenta el desgaste de las piezas móviles.
- Coloque la soldadora en un área donde tenga por lo menos 30,48 cm (12") de espacio para ventilación al frente y detrás de la unidad. Mantenga despejada el área de ventilación.
- Almacene los alambres en un sitio limpio, seco y con poca humedad para conservar la capa de fundente.
- El tomacorrientes que use para conectar la soldadora debe estar conectado a tierra adecuadamente y la soldadora debe ser el único artefacto conectado a este circuito. Vea la tabla de Circuitos y Amperios en la página 1 donde se le dan instrucciones al respecto.



## Instalación (Continuación)

- No es recomendable que use un cordón de extensión con este tipo de soldadoras. La baja de voltaje en el cordón de extensión podría reducir el rendimiento de la soldadora.

## Ensamblaje

### Modelo WG3000

Los componentes de la soldadora enumerados a continuación vienen en el compartimiento para almacenar el alambre. Ábralo y sáquelos.

#### PARA ENSAMBLAR EL MANGO

1. Sáquele los tornillos al mango. Deslice el mango entre la tapas delantera y superior de la soldadora y alinee los orificios del mango con los ubicados en la tapa superior.
2. Introduzca los tornillos en los orificios de la tapa superior y el mango.

#### PARA ENSAMBLAR LA RUEDA Y EL EJE

1. Coloque las bases dentro de las ranuras de la soldadora.
2. Introduzca el eje en las bases y empuje con fuerza las ruedas hasta que calcen en su sitio.
3. Asegure las ruedas con los ganchos en e suministrados y colóqueles las tapas.

#### PARA ENSAMBLAR LA ABRAZADERA DEL CILINDRO DE GAS

1. Coloque la abrazadera en la soldadora y alinee los orificios.
2. Enrosque los tornillos en la abrazadera y la soldadora.

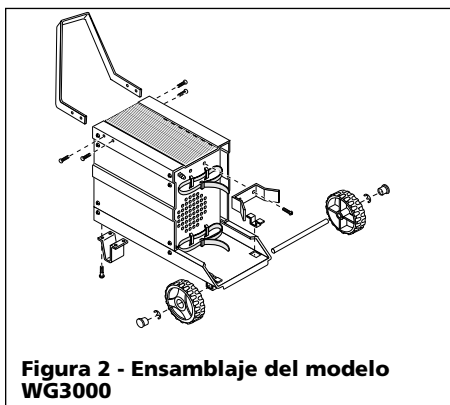


Figura 2 - Ensamblaje del modelo WG3000

#### PARA ENSAMBLAR LA PATA

1. Colóquele la pata a la soldadora y alinee los orificios con los de la unidad.

2. Enrosque los tornillos en la pata y la soldadora.

### Modelo WG3060

#### PARA ENSAMBLAR EL MANGO

1. Coloque el ensamblaje del mango en la tapa delantera de la soldadora soldadora.
2. Enrosque los tornillos en los extremos del mango y la soldadora.

#### PARA ENSAMBLAR LA RUEDA Y EL EJE

1. Conecte el eje a la soldadora con los tornillos suministrados.
2. Introduzca las ruedas en el eje y golpee ligeramente las tapas de las ruedas.

#### PARA ENSAMBLAR LA ABRAZADERA DEL CILINDRO DE GAS

1. Coloque la abrazadera en la soldadora y alinee los orificios.
2. Enrosque los tornillos en la abrazadera y la soldadora.

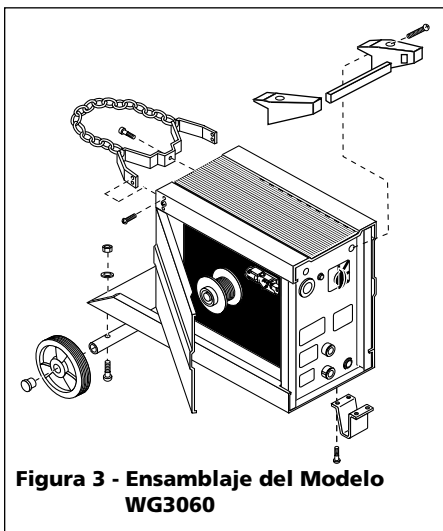


Figura 3 - Ensamblaje del Modelo WG3060

#### PARA ENSAMBLAR LA PATA

1. Colóquele la pata a la soldadora y alinee los orificios con los de la unidad.
2. Enrosque los tornillos en la pata y la soldadora.

### Pinza (Todas Los Modelos)

1. Aflójele la tuerca hex a la pinza.
2. Introduzca el cordón a través del mango de la pinza y deslice el extremo pelado (sin forro) dentro de la pinza. Apriete la tuerca hex y cerciórese de que el alambre esté asegurado (Figura 4).

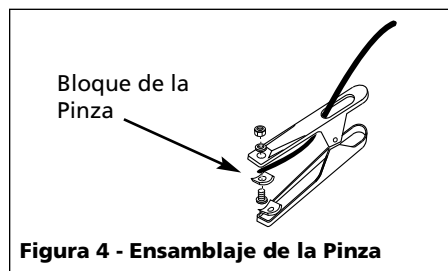


Figura 4 - Ensamblaje de la Pinza

### Instalacion del alambre

#### ⚠ ADVERTENCIA Los terminales,

el rollo de alambre, las pinzas, la conexión del cable de la pistola y el alambre para soldar podrían tener tensión inclusive cuando el interruptor de la pistola esté desactivado. No los toque cuando la soldadora esté encendida.

**NOTA:** Antes de instalar el alambre para soldar, cerciórese de que su diámetro sea similar al de la ranura de la bobina en el mecanismo de alimentación y el de la punta de contacto de la pistola. De lo contrario el alambre podría salirse o enrollarse.

1. Cerciórese de que la soldadora esté apagada y levántele la tapa para tener acceso al mecanismo de alimentación.
2. Para desactivarle el seguro al carrete, oprímalo y gírelo en sentido contrario a las agujas del reloj 1/4. Ahora puede sacarle la perilla, el resorte y el separador.

**NOTA:** Los separadores de la bobina y el carrete actúan como un adaptador para el carrete de 20,32 cm. No es necesario que compre un adaptador.

**\*Vea las instrucciones de ensamblaje en la Figura 5.**

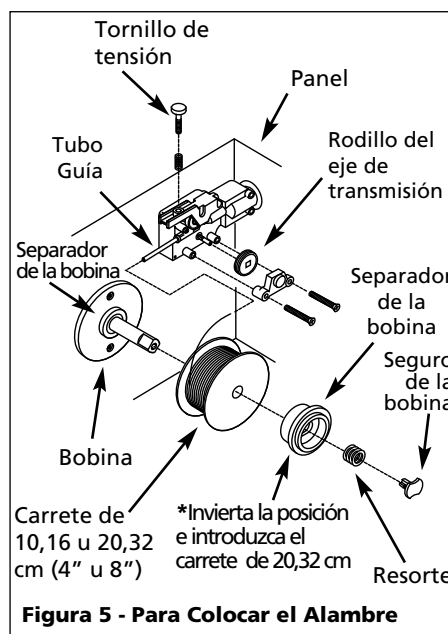


Figura 5 - Para Colocar el Alambre

## Ensamblaje (Continuación)

- Afloje el tornillo que le suministra tensión al alambre en el mecanismo. Esto le permite meter con la mano el alambre en la pistola.
- Coloque el carrete de alambre en el eje de modo que salga por el extremo más cercano al tubo de alimentación. No corte el alambre todavía. Instale el separador, el resorte y la manilla girándolo 1/4 en el mismo sentido de las agujas del reloj.
- Sostenga el alambre y córtelo el extremo. No permita que el alambre se desenrolle. Cerciórese de que éste esté derecho y sin rebabas.
- Coloque el alambre a través del tubo de alimentación, la ranura de la bobina y la pistola. Apriete bien el tornillo de tensión. No la apriete en exceso.
- Para desconectar la boquilla, gírela en sentido contrario a las agujas del reloj. Después, desconecte la boquilla de contacto del extremo del soplete (Vea la Figura 6). Conecte la soldadora a un tomacorrientes adecuado.

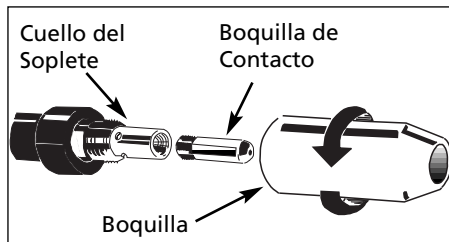


Figura 6 - Boquilla del Soplete

**IDEA:** Para alimentar el alambre, mantenga el cable del soplete derecho.

- Encienda la soldadora y fije la velocidad a 5. Active el interruptor de la pistola hasta que el alambre haya salido por el extremo del soplete. Apague la soldadora.
- Cuidadosamente coloque el sistema de contacto y atorníllelo al extremo del soplete. Para instalar la boquilla, gírela en **el mismo sentido de las agujas del reloj** (Vea la Figura 6). Corte el alambre a aproximadamente 6,4 mm (1/4") de la boquilla.

Especificaciones de la boquillas de Contacto  
Diám. del alambre mm

0,024"	ó	0,6
0,030"	ó	0,8
0,035"	ó	0,9
0,040"	ó	1,0

## POLARIDAD

Para soldar con gases revestidos, conecte el cable del soplete al (+) y el cable de la mordaza al (-) en el panel delantero. Para soldar con alambres con fundente revestido (sin gas), conecte el soplete al (-) y la pinza al (+).

## CICLO DE TRABAJO / PROTECCION TERMICA

El ciclo de trabajo de la soldadora es el porcentaje de tiempo que está soldando durante un período de 10 minutos. Por ejemplo, si el ciclo de trabajo es de 10%, sólo podrá soldar durante un minuto, y la soldadora se debe enfriar por 9 minutos.

Las piezas internas de esta soldadora están protegidas con un interruptor térmico automático. Una luz amarilla, ubicada al frente, se enciende cuando excede el ciclo de trabajo. Podrá continuar soldando una vez que la luz amarilla se haya apagado.

## Ensamblaje del Casco

### MODELO WT1000

- Haga fuerza en las pestañas con un desarmador para sacar el soporte de los lentes de la máscara.
- Quítele la capa protectora que se encuentra a ambos lados de la cubierta de los lentes. Coloque una cubierta clara a cada lado de los lentes oscuros. Coloque los tres lentes juntos en la máscara y sosténgalos con el retenedor. Éste debe calzar en la segunda apertura de la máscara.
- Coloque uno de los orificios del brazo de ajuste en los pasadores ubicados a los lados de la máscara (por donde estarían las orejassuyas al ponerse). Este brazo le permite ajustar la cercanía y lo puede ajustar fácilmente.
- Coloque la armazón dentro de la máscara. Luego coloque los tornillos de cabeza redonda y apriete la tuerca de tensión tal como se muestra. No apriete la tuerca completamente.
- Pruébesela, ajústela hasta que le quede bien y cúbrase la cara. Si la máscara le queda muy lejos o muy cerca de la cara, use otro de los orificios del brazo de ajuste. Ajuste la tuerca de tensión de modo que pueda cubrirse la cara con la máscara con sólo mover la cabeza.

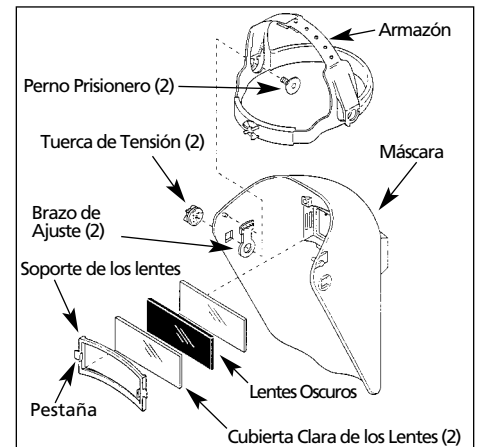


Figure 7

## Instalación de la Botella de Gas

### ⚠ PELIGRO

**¡El manejo o mantenimiento inadecuado de los cilindros de gas y reguladores podría ocasionarle heridas graves o la muerte! Siempre use las abrazaderas para fijar los cilindros a una pared u otra superficie estable, para evitar que los cilindros se caigan. Lea, comprenda y siga todas las instrucciones sobre el uso adecuado y peligro al usar este tipo de equipos que le suministramos en las instrucciones de seguridad.**

**NOTA:** No necesitará usar gas cuando use alambre de fundente revestido para soldar.

### TIPO DE GASES

Hay 3 tipos de gases que generalmente se usan para soldar con arco; 100% argón, una mezcla de 75% argón y 25% dióxido de carbono (C<sub>25</sub>) o 100% dióxido de carbono. Sin embargo, no es recomendable que utilice 100% dióxido de carbono, ya que los resultados no son óptimos. Esta soldadora no suelda muy bien al utilizar 100% dióxido de carbono. Todos se pueden usar, pero la mezcla 75/25 es la recomendada para todo tipo de soldaduras. En cualquier tienda especializada en artículos para soldar puede comparar los cilindros de estos gases. Cerciórese de que el cilindro esté bien sujeto para evitar que se caiga.

**NOTA:** El uso de un gas inadecuado podría ocasionar poca o ninguna penetración del electrodo para soldar (alambre).

### REGULADOR

El regulador le permite el suministro de gas a una presión constante al igual que un flujo al soldar. Cada regulador está diseñado para usarse con gases o mezclas de gases específicos. Argón y las mezclas de argón usan roscas similares. El dióxido carbónico puro (100%) usa una rosca diferente. Puede comprar un adaptador en una tienda para soldadores para cambiar de uno a otro.

## Soldadora Con Arco Con Alambre Continuo

### Instalación de la Botella de Gas (Continuación)

#### COMO HACER LAS CONEXIONES

**⚠ ADVERTENCIA** El cilindro de gas está bajo una presión muy alta. Dirija la salida del cilindro en dirección opuesta a Ud. y otras personas antes de abrirlo.

1. Estas unidades pueden utilizar botellas de 0,56 m<sup>3</sup>.
2. Después que el cilindro esté bien instalado, destápelo, párese en el lado opuesto de la salida del cilindro y comience a abrir la válvula lentamente, girándola en sentido contrario al de las agujas del reloj. Cuando el cilindro comience a emitir gas, cierre la válvula girándola en el mismo sentido de las agujas del reloj. Así eliminará las impurezas que se hayan acumulado en el asiento de la válvula.
3. Instálele el regulador a la válvula del cilindro manteniendo las esferas del manómetro en posición vertical y enrosque la tuerca del vástago en la válvula de gas.
4. Conecte uno de los extremos de la manguera de gas al conector ubicado en la parte posterior de la soldadora y el otro extremo al regulador usando las abrazaderas para hacer estas conexiones. Cerciérese de que la manguera de gas no esté enrollada o doblada.
5. Una vez más, párese en el lado opuesto a la salida del cilindro y abra la válvula lentamente. Cerciérese de que las conexiones no tengan fugas.
6. Oprima el gatillo de la pistola para permitir el flujo de gas. Mantenga el gatillo oprimido mientras ajusta el regulador de gas a 0,85 cmh\*. Suelte el gatillo.

\***NOTA:** El regulador WT600100AV de Campbell Hausfeld viene fijado de fábrica a 0,85 cmh. No necesita ajustarlo. Igualmente, el regulador tiene un indicador que le permite ver la cantidad de gas que hay en el cilindro. Cuando el indicador no esté extendido, el cilindro estará totalmente vacío en aproximadamente 10 minutos.

7. Recuerde de cerrar la válvula de gas cuando termine de soldar.

### Funcionamiento

1. Cerciérese de leer, comprender y cumplir con todas las medidas de precaución enumeradas en la sección de Informaciones Generales de Seguridad de este

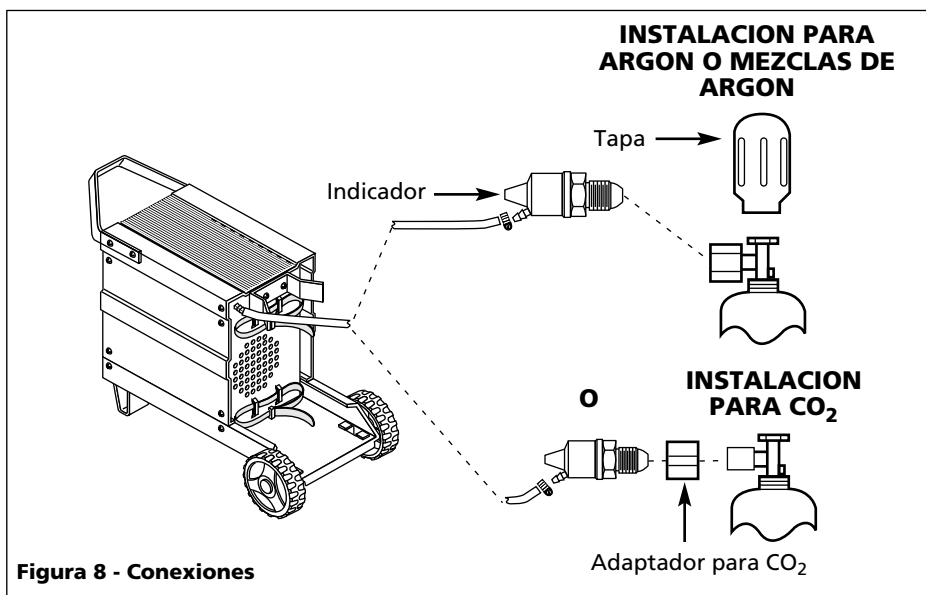
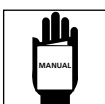
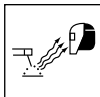


Figura 8 - Conexiones

- manual. Igualmente, debe leer la sección Instrucciones para soldar en este manual antes de usar la soldadora.
2. Cerciérese de que la soldadora esté apagada (en OFF).
3. Cerciérese de que las superficies de los metales que va a soldar no estén sucias, oxidadas, pintadas, llenas de aceite o contaminadas. Esto podría dificultarle el trabajo y perjudicar la calidad de la soldadura.

### ⚠ PELIGRO

**Todas las personas que usen esta soldadora o que se encuentren en el área de trabajo cuando se esté usando la soldadora deben usar la vestimenta adecuada de un soldador incluyendo: lentes para soldadores de la oscuridad adecuada según las especificaciones dadas a continuación, ropa resistente al fuego, guantes de cuero para soldar y protección para los pies.**



### ⚠ PRECAUCION

**SI EL GATILLO**

**ESTA OPRIMIDO O NO, el alambre de la soldadora WG3000 tiene TENSIONELECTRICA cuando está ENCENDIDA.**

### ⚠ ADVERTENCIA

**Si piensa calentar soldar o cortar materiales galvanizados, cubiertos de zinc, plomo o cadmio vea las instrucciones al respecto en la sección Informaciones Generales de Seguridad. Al calentar estos metales se emiten gases muy tóxicos.**



4. Conecte la pinza de conexión a tierra a la pieza que va a soldar o a la banca (si es de metal). Cerciérese de

que el contacto sea con el metal y que no éste no tenga pintura, barniz, óxido o materiales no metálicos.

5. Coloque la perilla de control de amperaje, ubicada en la parte delantera, en el valor deseado. Vea las instrucciones al respecto en la tabla ubicada detrás de la puerta del compartimiento para almacenar el alambre.

**NOTA:** Estas instrucciones son sólo sugerencias. El amperaje necesario podría variar según las condiciones de trabajo y los materiales.

6. Gire la perilla que controla la velocidad del alambre hasta el número 5 para comenzar a soldar, haga una prueba y ajuste la velocidad si es necesario.
7. Conecte el cordón eléctrico a un tomacorrientes con el voltaje necesario que esté conectado a un circuito adecuado (Vea las instrucciones al respecto en la tabla de la página 1).
8. Encienda la soldadora (Coloque el interruptor en ON).
9. Cerciérese de que haya aproximadamente 6,4 mm (1/4") de alambre fuera de la boquilla de contacto. De lo contrario, oprima el gatillo de modo que salga más alambre y córtelo a la longitud adecuada.
10. Coloque la pistola soldadora cerca de la pieza que va a soldar y mueva la cabeza hacia abajo de modo que la máscara del casco le cubra la cara o cúbrase la cara con la máscara de mano y oprima el gatillo de la pistola. Ajuste el amperaje cuando sea necesario.

## Funcionamiento (Continuación)

11. Cuando termine de soldar, apague la soldadora y guárdela en un sitio adecuado.

## Mantenimiento

### ⚠ ADVERTENCIA *Desconecte y*

**apague la soldadora antes de inspeccionar o darle servicio a cualquier componente. Mantenga el compartimiento para almacenar alambres cerrado a menos que necesite cambiar el alambre.**

Antes de cada uso:

1. Chequee los cables y repare o reemplace inmediatamente cualquier cable cuyo forro aislante esté dañado.
2. Chequee el cordón eléctrico y repárelo o reemplácelo inmediatamente si está dañado.
3. Chequee la boquilla de la pistola. Quítele cualquier residuo de escoria. Reemplace la boquilla si está dañada.

### ⚠ ADVERTENCIA *Nunca use esta*

**soldadora si los forros aislantes de alguno de los cables, la pistola o el cordón eléctrico están dañados o no están colocados.**

Cada 3 meses:

1. Reemplace cualquier etiqueta que esté ilegible.
2. Use aire comprimido para limpiar las aperturas de ventilación.
3. Limpie la ranura donde se coloca el alambre en la bobina. Saque el alambre del mecanismo de alimentación, sáquele los tornillos a la cubierta de la bobina. Use un cepillo de alambres pequeño para limpiar la bobina. Reemplácela si está desgastada o dañada.

## Piezas Consumibles o Que se Desagstan

Las siguientes piezas requieren mantenimiento rutinario:

- Bobina
- Forro de la pistola - reemplácelo cuando se desgaste
- Boquilla/boquillas de contacto
- Alambre - Esta soldadora le permite usar carretes de 10,16 cm (4") u 20,32 cm (8") de diámetro. El alambre para soldar es susceptible a la humedad y se oxida con el tiempo, por lo tanto es muy importante que

seleccione un carrete que lo vaya a usar en un plazo de aprox. 6 meses. Para soldar aceros dulce le recomendamos que use alambres sólidos AWS ER70S6 o alambre de fundente AWS E71T-GS.

- Boquillas de contacto - use las boquillas Campbell Hausfeld, Tweco®, u otras boquillas compatibles.
- Boquillas - use boquillas tipo Tweco® style u otras boquillas compatibles. Use las boquillas Campbell Hausfeld, modelo WT5021, disponible en la tienda donde compró la soldadora, o use boquillas tipo Tweco® (u otras boquillas compatibles) disponibles en tiendas locales para soldadores.

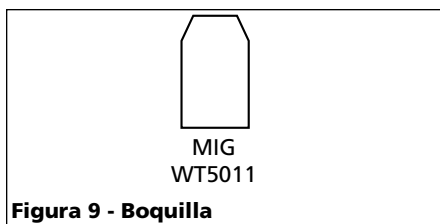


Figura 9 - Boquilla

## Como cambiar de alambres PORTABOBINAS

Hay dos ranuras en el portabobinas. La pequeña es para los carretes de 0,6mm (0,024 ) y al otra para carretes de 0,8 - 0,9 mm (0,030 - 0,035). Destape el portabobinas y voltéelo para seleccionar la ranura correcta(vea la lista de piezas).

## ALAMBRE DE DUNDENTE REVESTIDO

Debido a las inconsistencias del diámetro del alambre, es recomendable que utilice una boquilla más grande. Por ejemplo:

- Si el diámetro es 0,8 mm use una boquilla de 0,9mm.
- Si el diámetro es 0,9 mm, use una boquilla de 1,0 mm.

Esta soldadora viene de fábrica lista para utilizar alambres de 0,9 mm y con una boquilla de 1,0 mm. Como esta soldadora utiliza alambres de fundente revestido de 0,8 y 0,9 mm, debe utilizarse como viene de fábrica.

## ALAMBRES DE GASES INERTES (MIG)

Como este tipo de alambres son de un diámetro bastante consistente, la boquilla de contacto debe ser del mismo diámetro del alambre utilizado. Cuando utilice un alambre de 0,6 mm , use la ranura pequeña del portabobinas. Cuando utilice alambres MIG de 0,8-0,9mm o alambres de aluminio utilice la ranura grande, tal como viene de fábrica.

## ALAMBRE DE ALUMINIO

Cuando utilice alambres de aluminio es recomendable que utilice una boquilla más grande. Por ejemplo:

- Si el diámetro es 0,8 mm use una boquilla de 0,9mm.

Cuando utilice alambres MIG de 0,8-0,9mm o alambres de aluminio utilice la ranura grande, tal como viene de fábrica. Los alambres de aluminio son muy débiles y no debe usarse la misma tensión en el portabobina que cuando utilice alambres de fundente revestido o MIG. Para fojarle la tensión a los alambres de aluminio apriete el tornillo de tensión dándole 3 vueltas, o hasta que el portabobinas comience a ejercer tensión y el alambre comience a entrar.

**Comuníquese con el distribuidor de Campbell Hausfeld más cercano a su domicilio para ordenar repuestos.**



## Instrucciones para Soldar

### General

Estas soldadoras se pueden utilizar para soldar con alambres de fundente revestido o para soldar metales con arcos de gases inertes. La soldadura se debe proteger contra contaminantes en el aire mientras se esté derritiendo. Para soldar con un alambre con fundente revestido se utiliza un alambre cilindrico lleno de fundente. El fundente crea un gas protector al derretirse. El segundo proceso utiliza un gas inerte para proteger la soldadura mientras se derrite.

Cuando la corriente proviene de un transformador (soldadora) y circula por el circuito hasta llegar al alambre, se forma un arco entre el extremo del alambre y la pieza de trabajo. Este arco derrite el alambre y la pieza de trabajo. El metal derretido del alambre cae dentro de la ranura en la pieza y se forma la unión con la pieza de trabajo tal como se muestra (Figura 10).

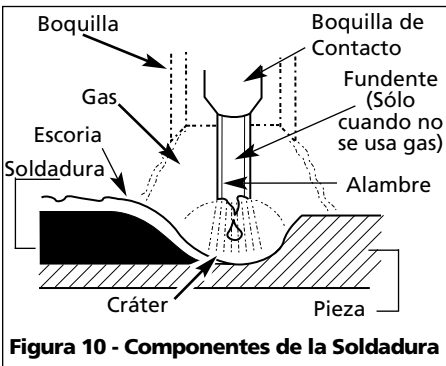


Figura 10 - Componentes de la Soldadura

### Tecnicas Basicas Para Soldar Con Arcos

Hay cuatro aspectos que debe considerar para lograr una soldadura de alta calidad. Éstos son: el tipo de alambre usado, el amperaje usado, el ángulo para soldar, la longitud del arco y la velocidad de desplazamiento. Es imprescindible que siga las recomendaciones al respecto para lograr un acabado de alta calidad.

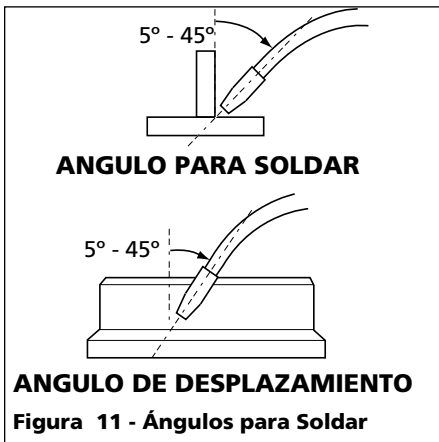
#### CORRIENTE

El nivel adecuado de corriente se logra al ajustar la soldadora al amperaje requerido.

La corriente representa la cantidad de electricidad que en realidad circula y ésta se regula con un interruptor en la soldadora. la cantidad de corriente

usada depende del tamaño (diámetro) y tipo del alambre usado, la posición de la soldadura y el grosor de la pieza de trabajo.

Vea las especificaciones enumeradas en la soldadora o en la tabla generalizada en la sección de funcionamiento. Le sugerimos que antes de soldar practique en un pedazo de metal que vaya a descartar para que ajuste los niveles y compare la calidad de la soldadura con las de la Fig. 11.



ANGULO DE DESPLAZAMIENTO  
Figura 11 - Ángulos para Soldar

#### TIPO Y TAMANO DEL ALAMBRE

La selección del tipo correcto de alambre depende de varios factores tales como la posición en que va a soldar, el tipo de material que va a soldar, el grosor y las condiciones de la superficie. La sociedad norteamericana de soldadores, AWS, ha seleccionado ciertos requerimientos para cada tipo de alambres.

#### Alambre de fundente revestido

##### E - 7 0 T - GS

Resistencia, multiplicada por 10.000 libras por pulgadas al cuadrado
Posiciones (0 por plana u horizontal, 1 por cualquier posición)
Tipo tubular con fundente
Tipo de fundente

Con esta soldadora le recomendamos que use los alambres E71T-GS o E71T-11.

#### Alambre sólido

##### ER - 70 S - 6

Resistencia, multiplicada por 10.000 libras por pulgadas al cuadrado
Alambre sólido
Componentes

Con esta soldadora le recomendamos que use el alambre ER-70S6.

#### ANGULA PARA SOLDAR

Éste es el ángulo en el que mantiene el electrodo para soldar. Si usa el ángulo adecuado logrará la penetración y acabado perfecto de la unión. Este ángulo tiene dos aspectos - ángulo de desplazamiento y ángulo de trabajo (Vea la Figura 10).

El ángulo de desplazamiento es el ángulo en la línea donde se está soldando y puede variar entre 5° y 45° de la línea vertical, según sean las condiciones de trabajo.

El ángulo de trabajo es el ángulo desde la línea horizontal, medido en ángulos rectos en relación a la línea de soldar.

Para la mayoría de las aplicaciones se puede usar ángulos de desplazamiento y de trabajo de 45°. Para aplicaciones específicas, debe consultar un libro de referencias para soldadores.

#### VELOCIDAD DE ALIMENTACION DEL ALAMBRE

Esta velocidad se controla con la perilla ubicada en el frente de la soldadora. debe coordinar la velocidad con la rapidez con que se esta derritiendo el alambre en el arco. Esta coordinación es el factor más importante en este tipo de soldadura. Antes de comenzar a soldar haga una prueba en un pedazo de metal del mismo tipo y grosor que la pieza de trabajo. Comience a soldar moviendo con una mano la boquilla de la pistola por el pedazo de metal y ajustando la velocidad con la otra mano. Si la velocidad es muy lenta ocasionaría chisporroteo y el alambre se quemaría dentro de la punta de contacto (Vea la Figura 12). Si la velocidad es muy rápida ocasionaría un sonido de chisporroteo y el alambre penetraría la placa antes de derretirse. Un sonido parejo le indicará que la velocidad está coordinada. Para soldar **aluminio**, la velocidad del alambre es típicamente más alta (de 7 - 9).



## Instrucciones para Soldar (Continuación)

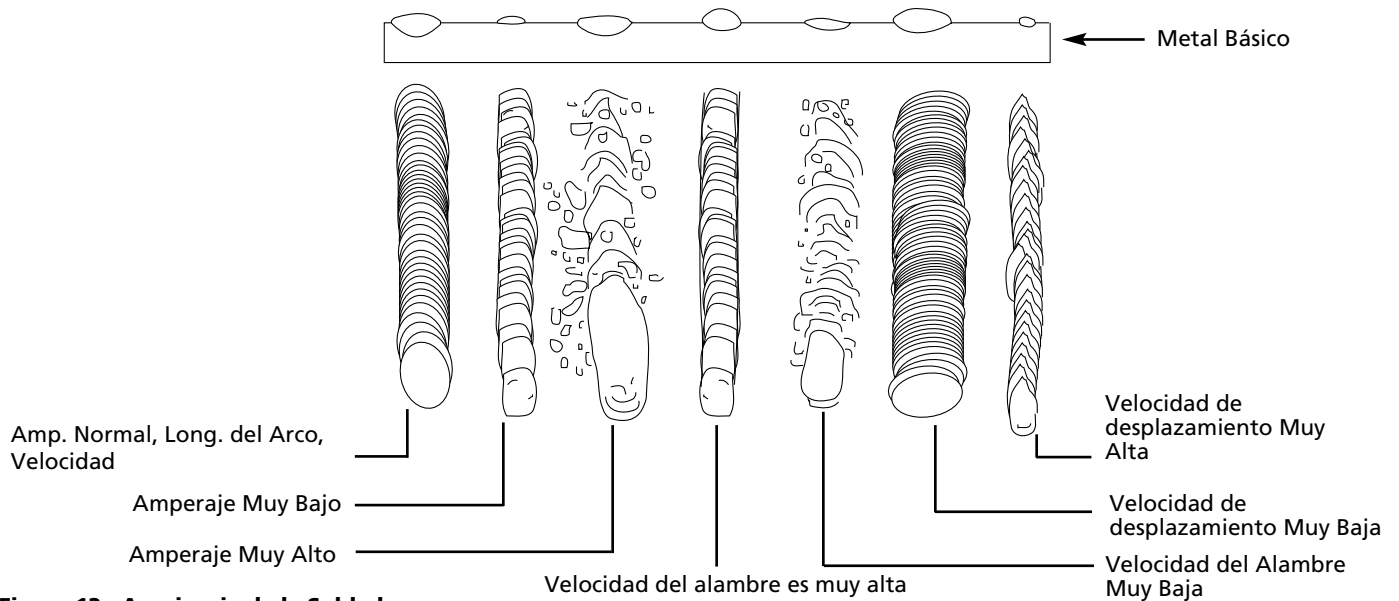


Figura 12 - Apariencia de la Soldadura

**NOTA:** Repita este proceso cada vez que cambie el amperaje, el diámetro o tipo de alambre o el tipo o grosor de la pieza de trabajo.

### VELOCIDAD DE DESPLAZAMIENTO

Es la velocidad con que se desplaza el electrodo por el área a soldar. El diámetro y tipo de electrodo, amperaje, posición y el grosor de la pieza de trabajo son algunos de los factores que afectan la velocidad de desplazamiento necesaria para lograr una soldadura de primera (Vea la Fig. 12). Si la velocidad es demasiado rápida, el reborde es angosto y las ondas puntiagudas como se muestra en la figura. Si la velocidad es muy lenta, el metal soldado se acumula y el reborde es alto y ancho. Para soldar **aluminio**, la velocidad del alambre es típicamente más alta.

### LIMPIEZA DE ESCORIAS (SOLO CUANDO HAYA SOLDADO CON ALAMBRES DE FUNDENTE)

**⚠ ADVERTENCIA** Use anteojos de seguridad aprobados por la asociación norteamericana ANSI (ANSI Standard Z87.1) (o alguna organización similar en sus respectivos países) y ropa de protección para sacar la escoria. Los residuos calientes le podrían ocasionar heridas a las personas que se encuentren en el área de trabajo.

Una vez que haya terminado de soldar, espere a que las piezas soldadas se enfríen. Una capa protectora que llamaremos escoria cubre el reborde para evitar que los contaminantes en el aire reaccionen con el metal derretido. Cuando el metal se haya enfriado un poco y no esté al rojo vivo, podrá limpiar la escoria. Esto lo puede

hacer con un martillo. Golpee suavemente la escoria con el martillo hasta que logre despegarla. Finalmente, use un cepillo de alambre para terminar de limpiar.

**NOTA:** Si suelda la misma área varias veces, límpiela las escorias cada vez que termine de soldar.

### POSICIONES PARA SOLDAR

Básicamente hay 4 posiciones para soldar: plana, horizontal, vertical y por encima de la cabeza. Soldar en la posición plana es lo más fácil ya que la velocidad es mayor, el metal derretido se chorrea menos, se puede lograr una mayor penetración y el trabajador se cansa menos. Para soldar en esta posición el ángulo de desplazamiento del alambre debe ser 45° al igual que el ángulo de trabajo.

Otras posiciones requieren técnicas diferentes tales como paso entretrejado, circular o cruzado. Para completar este tipo de soldadura se requiere más experiencia en la materia.

Soldar por encima de la cabeza es la posición más difícil y peligrosa. El amperaje y el alambre usados varían según la posición en que vaya a soldar.

Siempre debe tratar de soldar en una posición plana. Para obtener instrucciones específicas para algún tipo de soldadura consulte un libro de referencias para soldadores.

### PASOS

Algunas veces deberá usar más de un paso para soldar. Primero deberá hacer un paso primordial, éste será seguido por pasos adicionales de relleno (Vea la Fig. 13). Si las piezas son gruesas, tal vez sea necesario biselar los bordes que están unidos en un ángulo de 60°.

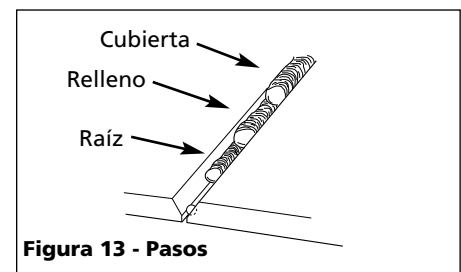


Figura 13 - Pasos

**NOTA:** Recuerde que debe limpiar las escorias antes de cada paso cuando esté soldando sin gas.

### TECNICA USADA PARA SOLDAR

El tipo de material y el grosor de la pieza que va a soldar determinan la dirección en que debe colocar la boquilla de la pistola. Para soldar materiales delgados (de calibre 18 o mayores) o cualquier tipo de aluminio debe colocar la boquilla en frente del sedimento para **empujarlo** a lo largo de la pieza. Para soldar aceros gruesos, la boquilla se debe dirigir directamente al sedimento para aumentar la penetración. Esta técnica se conoce como soldar al revés (Vea la Figura 14).

### PARA SOLDAR ALUMINIO

Cualquier pieza de aluminio que vaya a soldar debe limpiarse bien con un cepillo de acero inoxidable para eliminar residuos de óxido en las superficies **donde soldará y las de conexión a tierra**. Para soldar aluminio **debe** utilizar 100% Argón. Si no utiliza Argón, será muy difícil que logre penetrar el metal.

## Soldadora Con Arco Con Alambre Continuo

### Instrucciones para Soldar (Continuación)

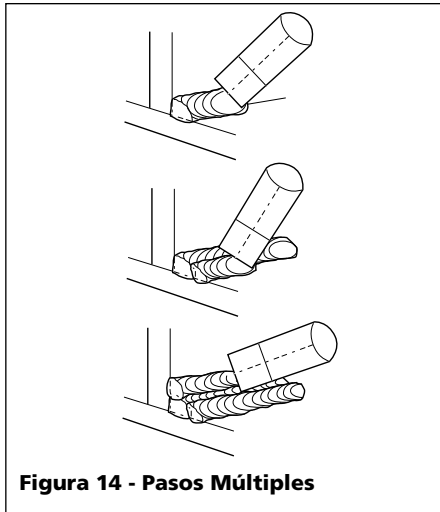


Figura 14 - Pasos Múltiples

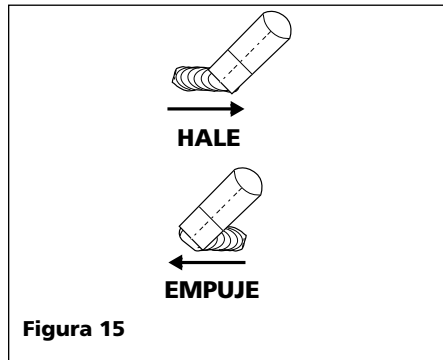


Figura 15

### Para Reemplazar el Cable

1. Cerciórese de que la soldadora esté APAGADA (OFF) y el cordón

eléctrico esté desconectado del tomacorrientes.

2. Destape la soldadora de modo que tenga acceso a las piezas internas del interruptor.
3. Desconecte los cables negro y blanco que están conectados al interruptor.
4. Desconecte el cable verde que está conectado a la armazón de la soldadora.
5. Afloje los tornillos del relevo de tensión y desconecte el relevo de tensión.
6. Para instalar el nuevo cordón siga los pasos arriba enumerados en orden contrario.

Para mayor Información Sobre Este Producto, Comuníquese con el Distribuidor más Cercano

### Diagóstico de Averías-Soldadora

Problema	Posible(s) Causa(s)	Acción a Tomar
No funciona	<ol style="list-style-type: none"> <li>1. Excedio el ciclo de trabajo</li> <li>2. La pinza está mal conectada</li> <li>3. El interruptor está dañado</li> <li>4. El cortacircuito se activó o el fusible está quemado</li> </ol>	<ol style="list-style-type: none"> <li>1. Espere que la soldadora se enfríe, cuando el bombillo se apague</li> <li>2. Cerciórese de que las conexiones estén bien hechas y de que la superficie esté limpia</li> <li>3. Reemplace el interruptor</li> <li>4. Reduzca la carga del circuito, active el cortacircuito o reemplace el fusible</li> </ol>
El alambre se enrolla en la bobina	<ol style="list-style-type: none"> <li>1. La boquilla de la pistola es de un tamaño incorrecto</li> <li>2. El forro de la pistola está obstruido o dañado</li> <li>3. La boquilla de la pistola está obstruida o dañada</li> <li>4. El rodillo está desgastado</li> <li>5. No hay suficiente tensión</li> </ol>	<ol style="list-style-type: none"> <li>1. Use una boquilla adecuada</li> <li>2. Límpielo o reemplácelo</li> <li>3. Límpiela o reemplácela</li> <li>4. Reemplácelo</li> <li>5. Apriete el tornillo</li> </ol>
Ocurre un arco entre la boquilla de la pistola y la superficie de trabajo	Hay escoria dentro de la boquilla pistola	Cerciórese de que todas las conexiones esten bien aseguradas, y de que la superficie este limpia.
La pinza de trabajo y/o el cable se calientan	<ol style="list-style-type: none"> <li>1. Hay mal contacto</li> <li>2. Está usando un cordón de extensión demasiado largo</li> </ol>	<ol style="list-style-type: none"> <li>1. Cercórese de que todas las conexiones estén bien aseguradas y que la superficie de contacto esté limpia</li> <li>2. Nunca use cordones de extensión de más de 6,10 m (20 pies)</li> </ol>
El alambre no circula	<ol style="list-style-type: none"> <li>1. El alambre está atascado</li> <li>2. Se terminó el alambre</li> <li>3. No hay suficiente tensión</li> <li>4. El forro del alambre está dañado</li> <li>5. El fusible está quemado</li> <li>6. El alambre está desconectado internamente</li> <li>7. La boquilla de contacto está obstruida</li> </ol>	<ol style="list-style-type: none"> <li>1. Recargue el alambre</li> <li>2. Reemplace el carrete</li> <li>3. Apriete los tornillos si el cable se desliza</li> <li>4. Reemplace el forro</li> <li>5. Reemplace el fusible en el tablero de control, dentro de la soldadora (1,6 amp de acción retardada)</li> <li>6. Llame al 1-800-746-5641 (en EUA) para recibir asistencia</li> <li>7. Reemplace la boquilla de contacto</li> </ol>
(Aluminio) el alambre se quema en el extremo de la boquilla o (Aluminio) se forman burbujas en el metal o se funde completamente	<ol style="list-style-type: none"> <li>1. La velocidad de alimentación es muy lenta</li> <li>2. La velocidad de desplazamiento es muy baja o la energía es muy alta</li> </ol>	<ol style="list-style-type: none"> <li>1. Use velocidades entre 7 - 10</li> <li>2. Aumente la velocidad de desplazamiento o disminuya la energía</li> </ol>

## Diagóstico de Averías-Soldadura

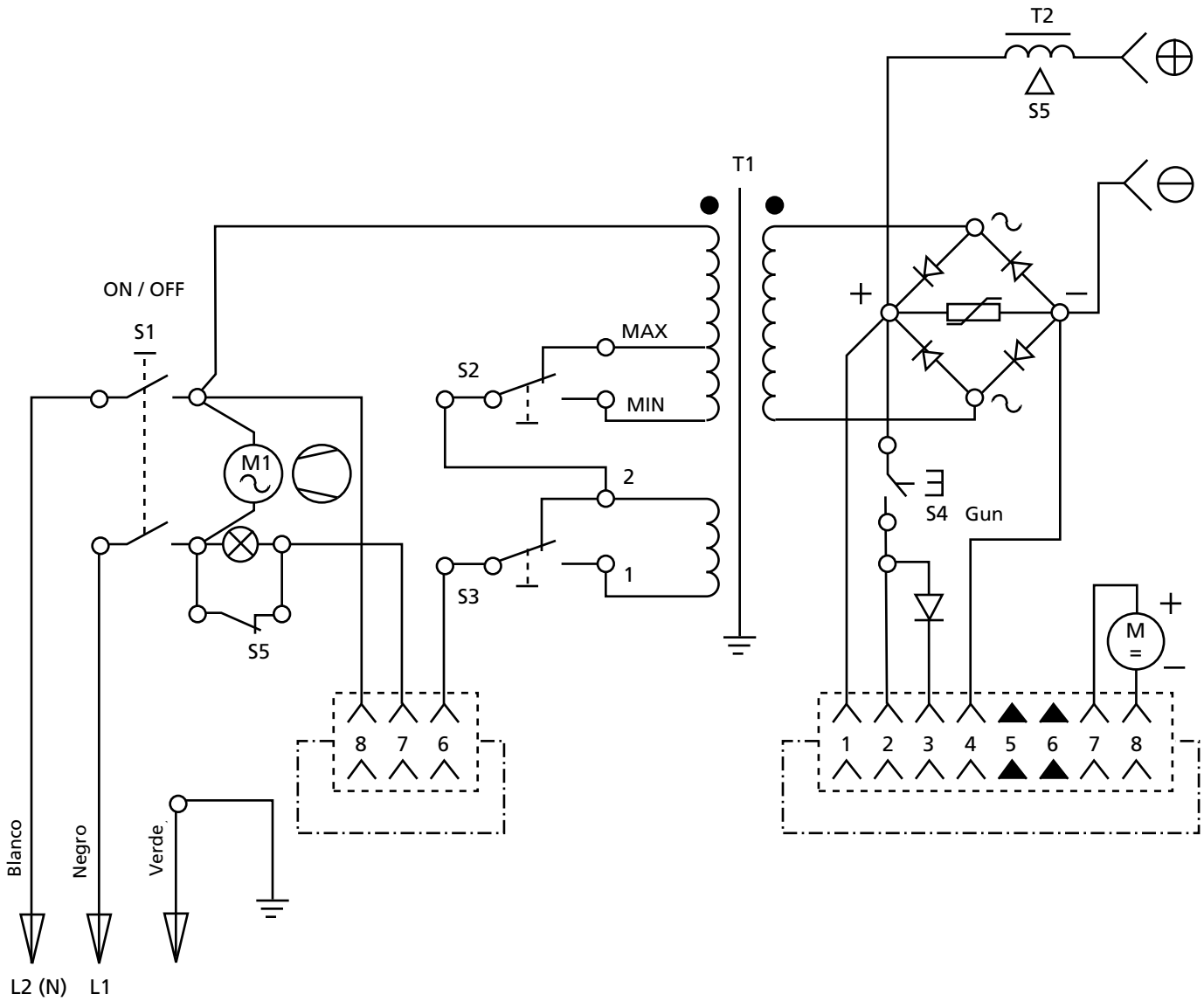
Problema	Posible(s) Causa(s)	Acción a Tomar
Reborde es muy delgado en algunos sitios	1. La velocidad de desplazamiento varia 2. El nivel del amperaje es muy bajo	1. Debe reducirla y mantenerla constante 2. Debe aumentarlo
Reborde es muy grueso en algunos sitios	1. La velocidad de desplazamiento varia o es muy lenta 2. El nivel del amperaje es muy alto	1. Debe aumentarla y mantenerla constante 2. Debe bajarlo
Los bordes de la soldadura están disparejos	1. La velocidad de desplazamiento es muy rápida 2. La velocidad de alimentación es muy rápida 3. El nivel del amperaje es muy alto	1. Debe reducirla 2. Debe aumentarla 3. Debe bajarlo
La soldadura no penetra el metal que desea soldar	1. La velocidad de desplazamiento no es consistente 2. El nivel de energía es muy bajo 3. Se terminó el gas o el nivel de gas es muy bajo 4. Está usando el gas incorrecto (aluminio) 5. El cordón de extensión es muy largo 6. (Aluminio) Posiblemente se están formando residuos de óxido en la superficie	1. Disminuya la velocidad y manténgala constante 2. Aumente el nivel de energía de suministro 3. Use gas, para soldar con gases inertes (MIG) o llene la boqtella 4. Use sólo 100% Argón 5. Nunca use cordones de extensión de más de 6,10 m (20 pies) 6. Limpie bien la superficie con un cepillo de acero inoxidable solamente
El electrodo salpica y se pega	1. El alambre está húmedo 2. La velocidad del alambre está muy rápida 3. Está utilizando el alambre inadecuado 4. Se terminó el gas o el nivel de gas es muy bajo	1. Use un alambre seco y siempre debe almacenarlo en un sitio seco 2. Reduzca la velocidad del alambre 3. Use alambre de fundente revestido cuando no esté utilizando gases 4. Use gas, para soldar con gases inertes (MIG) o llene la boqtella

## Garantía Limitada 5-3-1

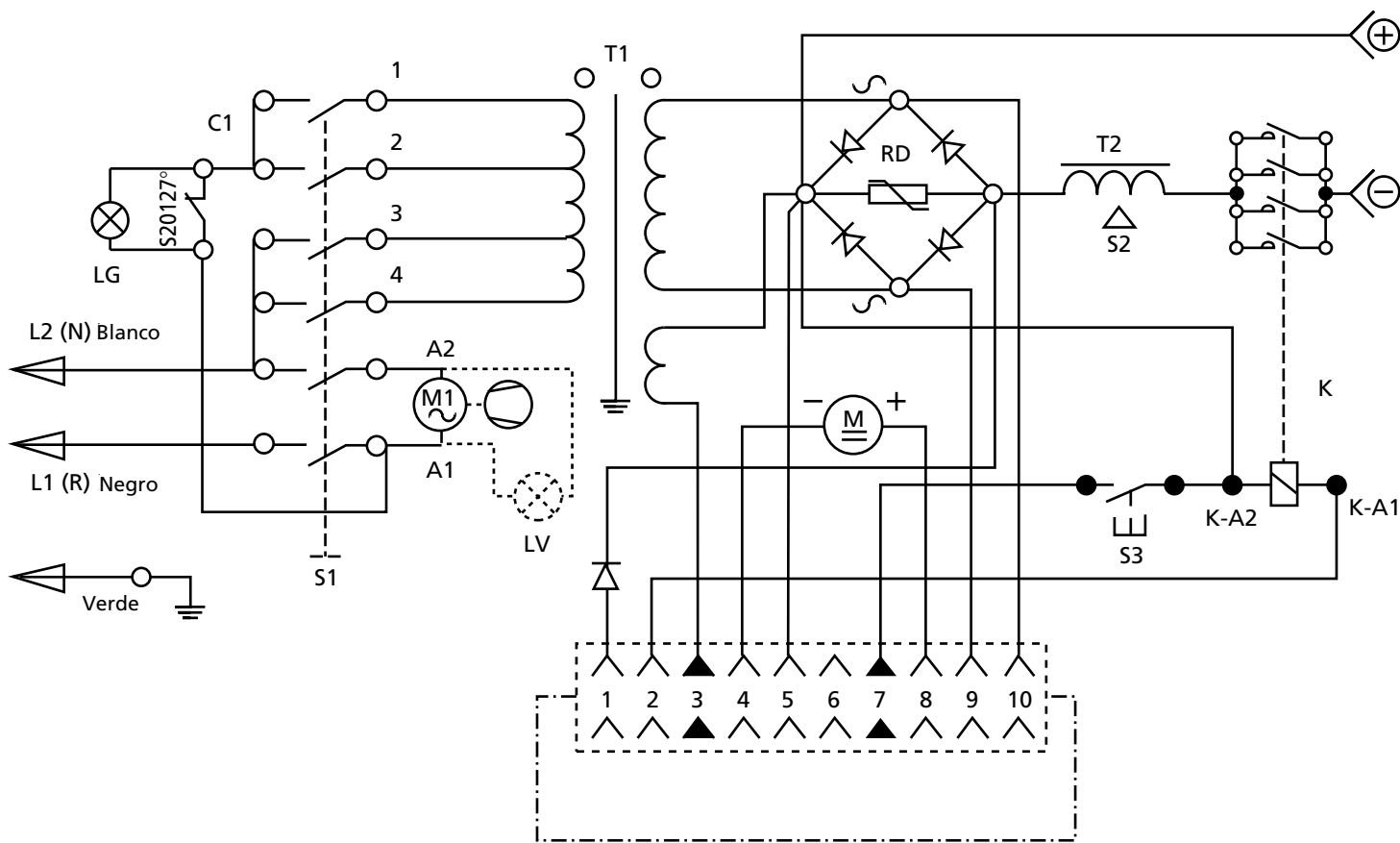
- Duración:** El fabricante garantiza que reparará, sin costo alguno por repuestos o mano de obra la soldadora o la pistola o los cables que estén dañados bien en material o mano de obra, durante los siguientes periodos después de la compra original:  
Por 5 años: El transformador y rectificador de la soldadora  
Por 3 años: Toda la soldadora (se excluyen: pinzas, pistola, cables, o accesorios que vienen con la soldadora)  
Por 1 año: Pinzas, Pistola, Accesorios y Cable para Soldar (de haberlos)
- QUIEN OTORGA ESTA GARANTIA (EL GARANTE):**  
The Campbell Group  
A Scott Fetzer Company  
100 Production Drive  
Harrison, OH 45030  
Teléfono: (513)-367-4811
- BENEFICIARIO DE ESTA GARANTIA (EL COMPRADOR):** El comprador original del producto Campbell Hausfeld.
- Cobertura de la garantía:** Defectos en material y fabricación que ocurran dentro del periodo de validez de la garantía. La garantía cubre la soldadora, el transformador y rectificador, la pistola o el portaelectrodo y los cables solamente.
- Lo que no está cubierto por esta garantía:**
  - Las garantías implícitas, incluyendo las garantías de comercialidad y conveniencia para un fin particular SON LIMITADAS A LA DURACION EXPRESA DE ESTA GARANTIA. Después de este periodo, todos los riegos de pérdida, por cualquier razón, serán la responsabilidad del propietario del producto. En algunos estados no se permiten limitaciones a la duración de las garantías implícitas, por lo tanto, en tal caso esta limitación o exclusión no es aplicable.
  - CUALQUIER PERDIDA, DAÑO INCIDENTAL, INDIRECTO O CONSECUENTE O GASTO QUE PUEDA RESULTAR DE UN DEFECTO, FALLA O MAL FUNCIONAMIENTO DEL PRODUCTO CAMPBELL HAUSFELD. En algunos estados no se permite la exclusión o limitación de daños incidentales o consecuentes, por lo tanto, en tal caso esta limitación o exclusión no es aplicable.
  - Esta garantía no cubre aquellos accesorios que se desgastarán con el uso normal del producto; la reparación o reemplazo de los mismos será la responsabilidad del propietario. Ejemplos de los productos de desgaste por el uso son (lista parcial): Bouillas de contacto, boquillas, forros internos de la pistola, bobinas, felpa para limpiar el alambre. Además, esta garantía no cubre daños que ocurran al reemplazar o darle servicio a las piezas arriba enumeradas.
  - Cualquier falla que resulte de un accidente, abuso, negligencia o incumplimiento de las instrucciones de funcionamiento y uso indicadas en el(los) manual(es) que se adjuntan al producto.
  - Servicio antes de entrega, por ejemplo ensamblaje y ajustes.
- Responsabilidades del Garante bajo esta Garantía:** Reparar o reemplazar, como lo decida el garante, los productos o componentes defectuosos durante el periodo de validez de la garantía.
- Responsabilidades del Comprador bajo esta Garantía:**
  - Entregar o enviar el producto o componente a Campbell Hausfeld. Los gastos de flete, si los hubiere, deben ser pagados por el comprador.
  - Ser cuidadoso con el funcionamiento del producto, como se indica en el(los) manual(es) del propietario.
- Cuando efectuará el garante la reparación o reemplazo cubierto bajo esta garantía:** La reparación o reemplazo dependerá del flujo normal de trabajo del centro de servicio y de la disponibilidad de repuestos.

Esta garantía limitada le otorga derechos legales específicos y usted también puede tener derechos que varían de un estado a otro.

**Alambrado Modelo WG3000**



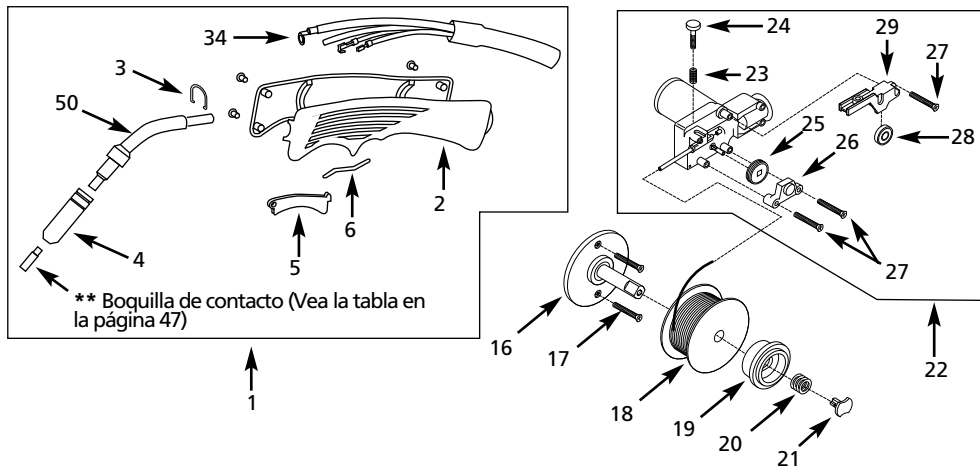
Alambrado Modelo WG3060





**Soldadora Con Arco Con Alambre Continuo**

**Para ordenar repuestos, comuníquese con el distribuidor más cercano a su domicilio**

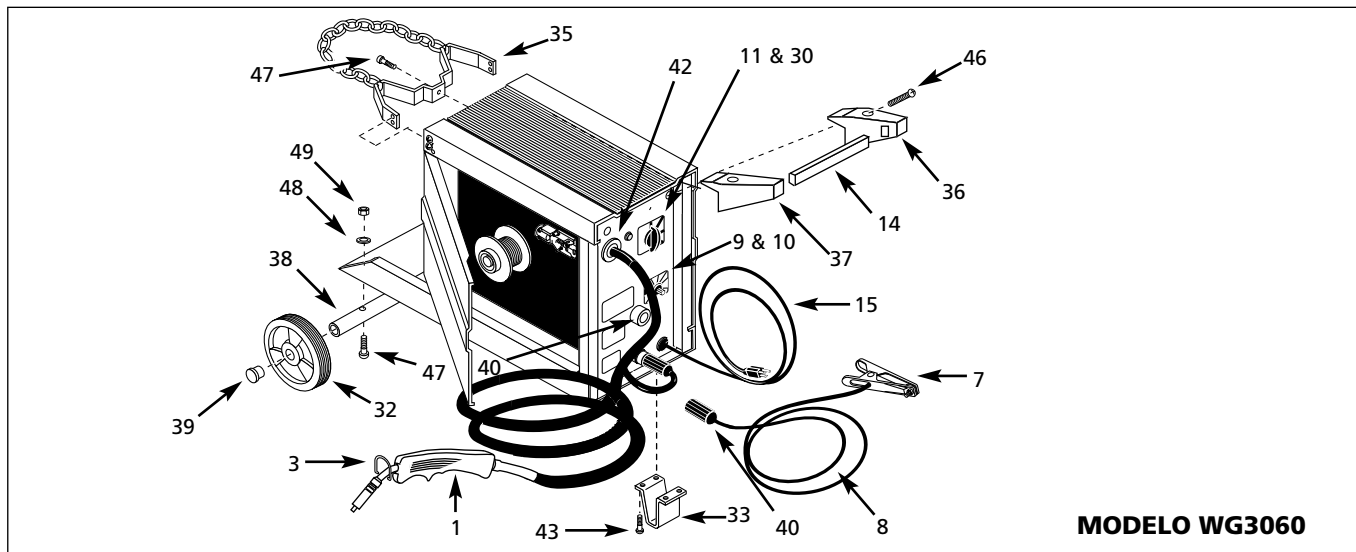


*Sírvase suministrarnos la siguiente información:*

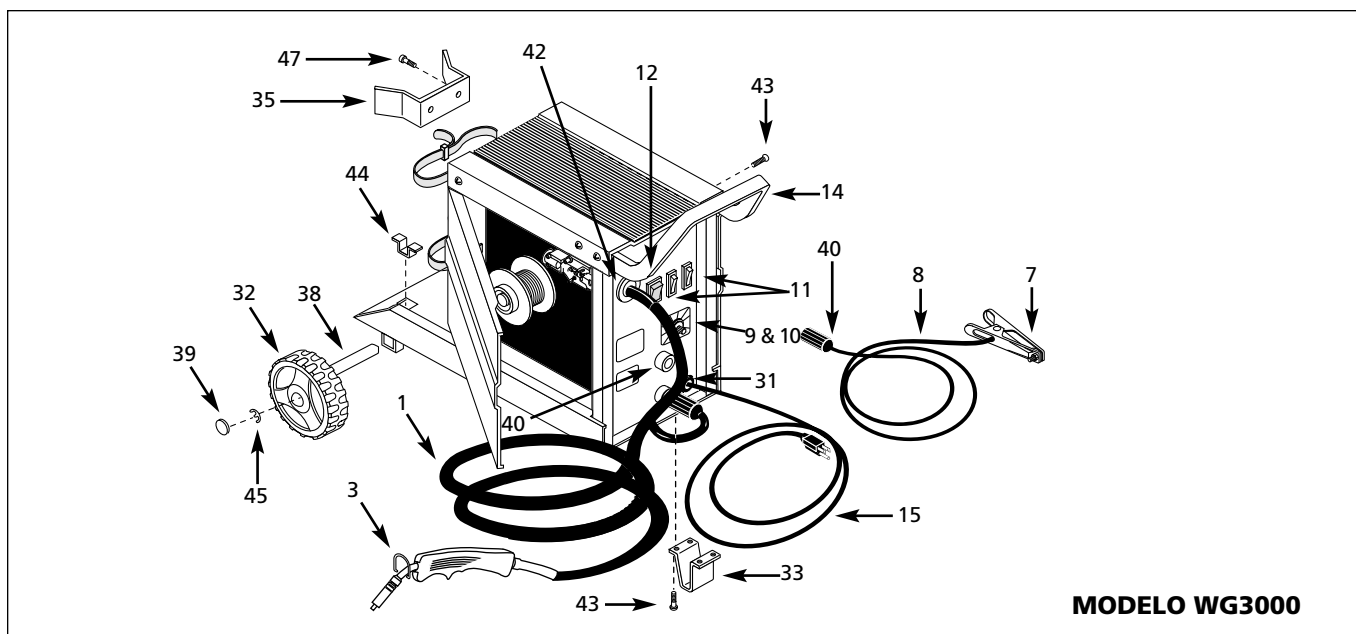
- Número del modelo
- Número de Serie (de haberlo)
- Descripción y número del repuesto según la lista de repuestos

*Puede escribirnos a:*

The Campbell Group  
 Attn: Parts Department  
 100 Production Drive  
 Harrison, Ohio 45030 U.S.A.



**MODELO WG3060**



**MODELO WG3000**

**Lista de Repuestos - Modelos WG3000 y WG3060**

No. de Ref.	Descripción	Para los Modelos:		Ctd
		WG3000	WG3060	
1	Ensamblaje del soplete y manguera (Incluye Nos. 2-6, 34 y 50)	WC600700AV	WC600700AV	1
2	Cuerpo del soplete (Piezas posterior y delantera)	WC600201AV	WC600201AV	1
3	Colagadero	WC600003AV	WC600003AV	1
4	Boquilla, tipo Tweco®	WT502100AJ	WT502100AJ	1
5	Gatillo	WC600202AV	WC600202AV	1
6	Resorte de contacto del soplete	WC600203AV	WC600203AV	1
7	Pinza (No incluye el cordón)	WC100100AV	WC100100AV	1
8	Cable para soldar 8 AWG (1,83 m)	*	*	1
9	Perilla de control de velocidad	WC400201AV	WC400201AV	1
10	Tablero de control de velocidad	WC400200AV	WC400600AV	1
11	Interruptor para controlar el amperaje	WC400300AV	—	2
	Interruptor para controlar el amperaje	—	WC400500AV	1
12	Interruptor	WC400000AV	—	1
13	Etiqueta de seguridad	DK670100AV	DK670100AV	1
14	Mango	WC300600AV	WC300700AV	1
15	Cordón eléctrico 14-3 AWG (1,83 m) Type SJT	WC000100AV	WC000100AV	1
16	Bobina	WC500300AV	WC500300AV	1
17	Tornillo metálico #10-32 x 12,7 mm (0,5")	*	*	2
18	Alambre de fundente revestido de 0,9 mm (0,035") diámetro	WE200500AJ	WE200500AJ	1
19	Adaptador de la bobina	WC500200AV	WC500200AV	1
20	Resorte de la bobina	WC500101AV	WC500101AV	1
21	Seguro de la bobina	WC500100AV	WC500100AV	1
22	Ensamblaje (Incluye Nos.23-29)	WC500000AV	WC500400AV	1
23	Resorte de tensión	WC500003AV	WC500003AV	1
24	Tornillo de tensión	WC500002AV	WC500002AV	1
25	Rodillo 0,6 - 0,9 mm (0,024 - 0,035")	WC500001AV	WC500001AV	1
26	Forro del rodillo	WC500004AV	WC500004AV	1
27	Tornillo #8-36 x 3,81 cm (1,5")	*	*	3
28	Brazo giratorio	WC500005AV	WC500005AV	1
29	Rodillo del brazo giratorio	WC500007AV	WC500007AV	1
30	Perilla para seleccionar el amperaje	—	WC400401AV	1
31	Relieve de tensión	WC102000AV	WC102000AV	2
32	Rueda	WC701200AV	WC701300AV	2
33	Pata delantera	WC702100AV	WC702300AV	1
34	Forro, metal	WC600007AV	WC600007AV	1
35	Abrazadera para el cilindro de gas	WC702200AV	WC702400AV	1
36	Soporte del mango (derecho)	—	WC300800AV	1
37	Soporte del mango (izquierdo)	—	WC300900AV	1
38	Eje	WC703100AV	WC703200AV	1
39	Cubo de la rueda	WC703500AV	WC703400AV	1
40	Conector	WC000200AV	WC000200AV	2
41	Tomacorrientes	WC000300AV	WC000300AV	2
42	Anillo del soplete	WC600009AV	WC600009AV	1
43	Tornillo #10-24 x 12,7 mm (1/2")	*	*	9
44	Soporte del eje	WC703600AV	—	2
45	Anillo en E de 5 mm D.I.	*	—	2
46	Tornillo #10-24 x 5,08 cm (2")	—	*	2
47	Tornillo #8-36 x 2,54 cm (1")	—	*	2
48	Arandela plana #8	—	*	2
49	Tuerca #8-36	—	*	2
50	Extensión con difusor	WC600701AV	WC600701AV	1

\* Disponible en cualquier ferretería o tienda para soldadores

**ALAMBRE OPCIONAL**

Tipo	Descripción	Número de la pieza
Gas Inerte (Mig)	ER70S6 0,61 mm (,024")	WE300000AJ
Gas Inerte (Mig)	ER70S6 0,76 mm (,030")	WE300500AJ
Gas Inerte (Mig)	ER70S6 0,89 mm (,035")	WE301000AJ
Fundente	E71T-GS 0,76 mm (,030")	WE200000AJ
Fundente	E71T-GS 0,89 mm (,035")	WE200500AJ

**\*\*BOQUILLAS DE CONTACTO OPCIONALES**

Tamaño		Número de la pieza
mm	in.	
0,6	0,024	WT501200AV
0,8	0,030	WT501300AV
0,9	0,035	WT501400AV

## Glosario de terminología usada por soldadores

**CA o Corriente Alterna** - corriente eléctrica que cambia de dirección periódicamente. Corriente de 60 ciclos se desplaza en ambas direcciones 60 veces por segundo.

**Longitud del Arco** - la distancia entre el extremo del electrodo y el punto de contacto con la superficie de trabajo.

**Metal Básico** - el material que se va a soldar.

**Unión a tope** - la unión de dos miembros alineados aproximadamente en el mismo plano.

**Cráter** - el vacío que se forma cuando el arco hace contacto con el metal básico.

**CD o Corriente Directa** - corriente eléctrica que se desplaza en un sólo sentido. La polaridad (+ o -) determina el sentido del desplazamiento.

**CD Polaridad Reversa** - ocurre cuando el portaelectrodo está conectado al polo positivo de la soldadora. Esta técnica dirige más calor para derretir el electrodo en vez de la pieza de trabajo. Generalmente esta técnica se usa con piezas delgadas.

**CD Polaridad Directa** - ocurre cuando el portaelectrodo está conectado al polo negativo de la soldadora. Con esta técnica la mayoría del calor se dirige a la pieza de trabajo para lograr una mayor penetración en piezas gruesas.

**Electrodo** - un alambre de metal con una capa que tiene aproximadamente la misma composición del material que se va a soldar.

**Soldadura de Filete** - soldadura triangular, para unir dos superficies en ángulo recto, en T o en las esquinas.

**Fundente** - un material, que al calentarse, produce una capa protectora de gas alrededor del área de soldadura. Esta capa protege los metales, base y de relleno, contra las impurezas en el aire.

**Soldar con Arcos de Fundente** - también se conoce como soldar sin gas, esta técnica para soldar usa una

soldadora con alambre. El alambre es tubular y lleno de fundente.

**Soldar con Arcos de Metal Gaseoso** - es un proceso para soldar usado con una soldadora con alambre. El alambre es sólido y se usa un gas inerte.

**Soldar con Arcos de Tungsteno** - es un proceso para soldar usado con soldadoras con generadores de alta frecuencia. El arco se crea entre un electrodo no-consumible de tungsteno y la pieza de trabajo. No es indispensable usar un metal de relleno.

**Unión de superposición** - la unión de dos miembros superpuestos en planos paralelos.

**Voltaje de circuito abierto** - el voltaje entre el electrodo y la pinza de conexión a tierra de la soldadora cuando no hay flujo de corriente (no se está soldando). Esto determina la rapidez con que se enciende el arco.

**Sobremonta** - ocurre si el amperaje es demasiado bajo. En este caso, el metal derretido se cae del electrodo sin haberse unido al metal básico.

**Porosidad** - cavidad que se forma durante la solidificación del área soldada. Las porosidades debilitan la unión.

**Penetración** - la profundidad que el arco se penetra dentro de la pieza de trabajo durante el proceso de soldar. Para soldar bien se debe lograr 100% de penetración, es decir todo el grosor de la pieza de trabajo se debe derretir y solidificar. El área afectada por el calor se debe ver fácilmente desde el otro lado.

**Soldar con arcos protegidos** - es un proceso de soldar que usa un electrodo consumible para sostener el arco. La protección se logra al derretir el fundente del electrodo.

**Escoria** - una capa de residuo de fundente que protege la unión de óxidos y otros contaminantes mientras los metales se solidifican (enfrian). Este se debe limpiar una vez que el metal se haya enfriado.

**Salpiqueo** - las partículas de metal que salpican durante el proceso de soldar y que se solidifican en la superficie de trabajo. Esto se puede minimizar al rociar un repelente adecuado antes de comenzar a soldar.

**Soldadura de puntos** - una unión hecha para mantener las piezas alineadas hasta que se haya completado el proceso de soldar.

**Angulo de desplazamiento** - el ángulo del electrodo con respecto a la línea a soldar. Este varía entre los 5° y 45° según sean las condiciones.

**Unión en T** - es la unión del borde de una pieza de metal con la superficie de otra en un ángulo de 90°.

**Socavación** - el resultado de soldar con un amperaje demasiado alto. Esto ocasiona ranuras en ambos lados de la reborde que reduce la resistencia de la unión.

**Sedimento** - el volumen de metal derretido al soldar antes de que se solidifique como metal soldado.

**Reborde** - una capa delgada o capas de metal depositado en el metal básico cuando el electrodo se derrite. Generalmente su grosor es el doble del diámetro del electrodo.

**Angulo de trabajo** - el ángulo del electrodo con respecto a la línea horizontal, medido en ángulos rectos a la línea de soldar.