

Please read and save these instructions. Read carefully before attempting to assemble, install, operate or maintain the product described. Protect yourself and others by observing all safety information. Failure to comply with instructions could result in personal injury and/or property damage! Retain instructions for future reference.

# Speedaire® Portable Air Compressors

**For Warranty & Service call 1-888-606-5587  
Do Not Return To Branch**

## Description

Air compressor units are intended to provide compressed air to power pneumatic tools and to operate spray guns. The pumps supplied are oil lubricated. A small amount of oil carryover is present in the compressed air stream. Applications requiring air free of oil or water should have the appropriate filter installed. The air compressor unit must be mounted on a solid floor or solid ground. Any other use of these units will void the warranty and the manufacturer will not be responsible for problems or damages resulting from such misuse.

## Safety Guidelines

This manual contains information that is very important to know and understand. This information is provided for SAFETY and to PREVENT EQUIPMENT PROBLEMS. To help recognize this information, observe the following symbols.

**▲ DANGER** Danger indicates an imminently hazardous situation which, if not avoided, WILL result in death or serious injury.

**▲ WARNING** Warning indicates a potentially hazardous situation which, if not avoided, COULD result in death or serious injury.

**▲ CAUTION** Caution indicates a potentially hazardous situation which, if not avoided, MAY result in minor or moderate injury.

**NOTICE** Notice indicates important information, that if not followed, may cause damage to equipment.

**NOTE:** Information that requires special attention.

## Unpacking

After unpacking the unit, inspect carefully for any damage that may have occurred during transit. Make sure to tighten fittings, bolts, etc., before putting unit into service.

**▲ WARNING** Do not operate tool if damaged during shipping, handling or use. Damage could result in bursting and cause injury or property damage.

## General Safety Information

### CALIFORNIA PROPOSITION 65

**▲ WARNING** This product or its power cord may contain chemicals known to the State of California to cause cancer and birth defects or other reproductive harm. Wash hands after handling.

**▲ WARNING** You can create dust when you cut, sand, drill or grind materials such as wood, paint, metal, concrete, cement, or other masonry. This dust often contains chemicals known to cause cancer, birth defects, or other reproductive harm. Wear protective gear.



## ▲ DANGER

### Breathable Air Warning

This compressor/pump is NOT equipped and should NOT be used "as is" to supply breathing quality air. For any application of air for human consumption, you must fit the air compressor/pump with suitable in-line safety and alarm equipment. This additional equipment is necessary to properly filter and purify the air to meet minimal specifications for Grade D breathing as described in Compressed Gas Association Commodity Specification G 7.1 - 1966, OSHA 29 CFR 1910. 134, and/or Canadian Standards Associations (CSA).

**DISCLAIMER OF WARRANTIES**  
IN THE EVENT THE COMPRESSOR IS USED FOR THE PURPOSE OF BREATHING AIR APPLICATION AND PROPER IN-LINE SAFETY AND ALARM EQUIPMENT IS NOT SIMULTANEOUSLY USED, EXISTING WARRANTIES ARE VOID, AND DAYTON ELECTRIC MFG. CO. DISCLAIMS ANY LIABILITY WHATSOEVER FOR ANY LOSS, PERSONAL INJURY OR DAMAGE.

## GENERAL SAFETY

Since the air compressor and other components (material pump, spray guns, filters, lubricators, hoses, etc.) used, make up a high pressure pumping system, the following safety precautions must be observed at all times:

# Speedaire® Portable Air Compressors

ENGLISH

## General Safety Information (Continued)

1. Read all manuals included with this product carefully. Be thoroughly familiar with the controls and the proper use of the equipment.



2. Follow all local electrical and safety codes as well as the United States National Electrical Codes (NEC) and Occupational Safety and Health Act (OSHA).

3. Only persons well acquainted with these rules of safe operation should be allowed to use the compressor.

4. Keep visitors away and NEVER allow children in the work area.

5. Wear safety glasses and use hearing protection when operating the pump or unit.



6. Do not stand on or use the pump or unit as a handhold.

7. Before each use, inspect compressed air system and electrical components for signs of damage, deterioration, weakness or leakage. Repair or replace defective items before using.

8. Check all fasteners at frequent intervals for proper tightness.

**⚠ WARNING** Motors, electrical equipment and controls can cause electrical arcs that will ignite a flammable gas or vapor. Never operate or repair in or near a flammable gas or vapor. Never store flammable liquids or gases in the vicinity of the compressor.



**⚠ WARNING** Never operate compressor without a beltguard. Compressors can start automatically without



*warning. Personal injury or property damage could occur from contact with moving parts.*

9. Do not wear loose clothing or jewelry that will get caught in the moving parts of the unit.

**⚠ CAUTION**

*Compressor parts may be hot even if the unit is stopped.*



10. Keep fingers away from a running compressor; fast moving and hot parts will cause injury and/or burns.

11. If the equipment should start to abnormally vibrate, STOP the engine/motor and check immediately for the cause. Vibration is generally a warning of trouble.

12. To reduce fire hazard, keep engine/motor exterior free of oil, solvent, or excessive grease.

**⚠ WARNING** An ASME code safety relief valve with a setting no higher than 150 psi MUST be installed in the tank for this compressor. The ASME safety valve must have sufficient flow and pressure ratings to protect the pressurized components from bursting.

**⚠ CAUTION** See compressor specification decal for maximum operating pressure. Do not operate with pressure switch or pilot valves set higher than the maximum operating pressure.

13. Never attempt to adjust safety valve. Keep safety valve free from paint and other accumulations.

**⚠ DANGER** Never attempt to repair or modify a tank! Welding, drilling or any other modification will weaken the tank resulting in damage from rupture or explosion. Always replace worn or damaged tanks.



**⚠ WARNING** Drain liquid from tank daily.

14. Tanks rust from moisture build-up, which weakens the tank. Make sure to drain tank regularly and inspect periodically for unsafe conditions such as rust formation and corrosion.
15. Fast moving air will stir up dust and debris which may be harmful. Release air slowly when draining moisture or depressurizing the compressor system.

### SPRAYING PRECAUTIONS

**⚠ WARNING** Do not spray flammable materials in vicinity of open flame or near ignition sources including the compressor unit.



16. Do not smoke when spraying paint, insecticides, or other flammable substances.

17. Use a face mask / respirator when spraying and spray in a well ventilated area to prevent health and fire hazards.



18. Do not direct paint or other sprayed material at the compressor. Locate compressor as far away from the spraying area as possible to minimize overspray accumulation on the compressor.

19. When spraying or cleaning with solvents or toxic chemicals, follow the instructions provided by the chemical manufacturer.

**⚠ WARNING** Disconnect, tag and lock out power source, then release all pressure from the system before attempting to install, service, relocate or perform any maintenance.



# 1NNF4, 1NNF6, 1NNF7, 2MLW2

## Introduction

Refer to Figure 1a and Figure 1b to locate the following items.

**Pressure Switch - Auto/Off Switch.** On some models there is no manual switch. The switch is permanently in the auto mode. In the AUTO position, the compressor shuts off automatically when tank pressure reaches the maximum preset pressure. In the OFF position, the compressor will not operate. This switch should be in the OFF position when connecting or disconnecting the power cord from the electrical outlet or when changing air tools.

When the pressure switch turns the motor off you will hear air leaking out of the pressure switch unloader valve for a short time. This releases the air pressure from the discharge tube and allows the compressor to restart easier.

**Regulator -** The regulator controls the amount of air pressure in the air hose. The air hose is attached at the outlet of the regulator.

**ASME Safety Valve -** This valve automatically releases air if the tank pressure exceeds the preset maximum.

**Discharge Tube -** This tube carries compressed air from the pump to the check valve. This tube becomes very hot during use.

**⚠ WARNING** *To avoid the risk of severe burns, never touch the discharge tube.*

**Check Valve -** One-way valve that allows air to enter the tank, but prevents air in the tank from flowing back into the compressor pump.

**Handle -** Designed to move the compressor.

**⚠ WARNING** *Never use the handle to lift the unit completely off the ground.*

**Belt Guard -** Covers the belt, motor pulley and flywheel.

**⚠ WARNING** *Never operate compressor without a beltguard. This unit can start automatically without warning. Personal injury or property damage could occur from contact with moving parts.*



**Tank Drain Valve -** This valve is located on the bottom of the tank. Use this valve to drain moisture from the tank daily to reduce the risk of corrosion.

Reduce tank pressure below 10 psi, then drain moisture from tank daily to avoid tank corrosion. Drain moisture from tank(s) by opening the drain valve located underneath the tank.

**Tank Pressure Gauge -** Indicates amount of air pressure stored in tank.

**Hose Pressure Gauge -** Indicates amount of air pressure in hose used to operate tools. This pressure is increased or decreased by the regulator.

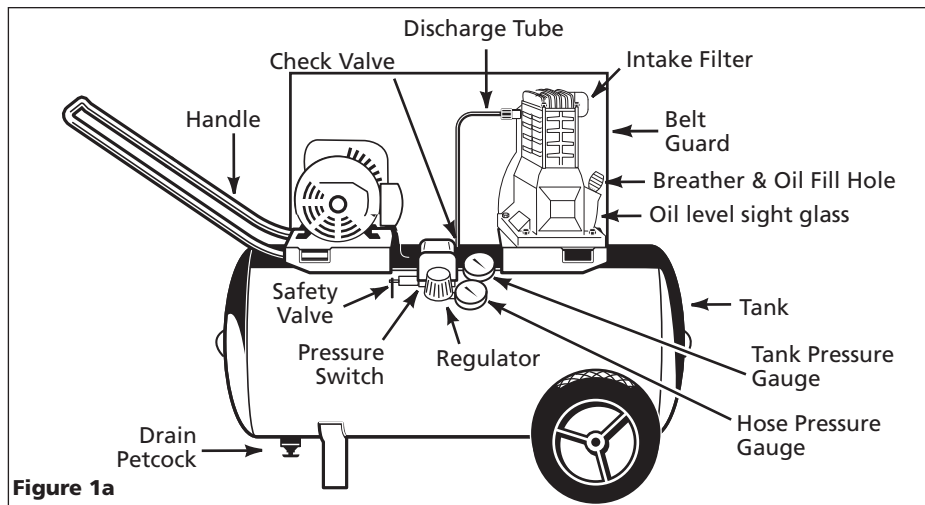


Figure 1a

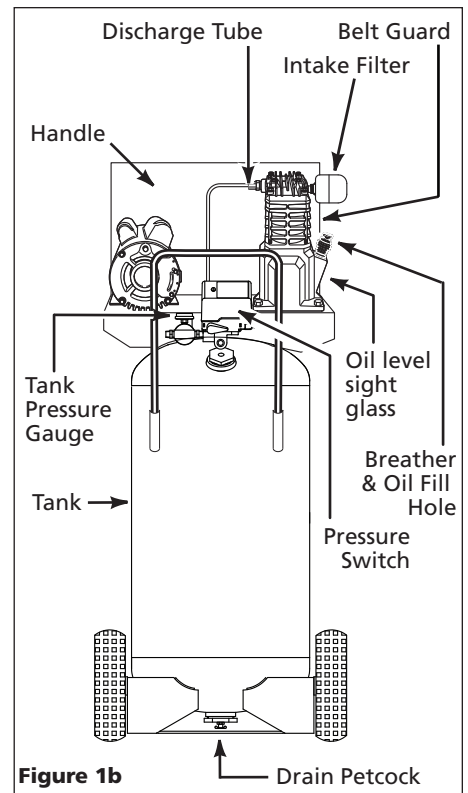


Figure 1b

ENGLISH

# Speedaire® Portable Air Compressors

ENGLISH

## Assembly

### REGULATOR

1. Remove plug(s) from plastic bag. Apply thread sealant tape to threads.
2. The assembly is designed to be attached only to the pressure switch outlet (see Figure 1) by inserting the pipe nipple (see Figure 2) and turning the assembly clockwise. Tighten until snug or 75 in.-lb. Gauge should be oriented the same as the gauge already on the pressure switch (see Figure 1). Attach hose and tire chuck. Check for leaks with soapy water.

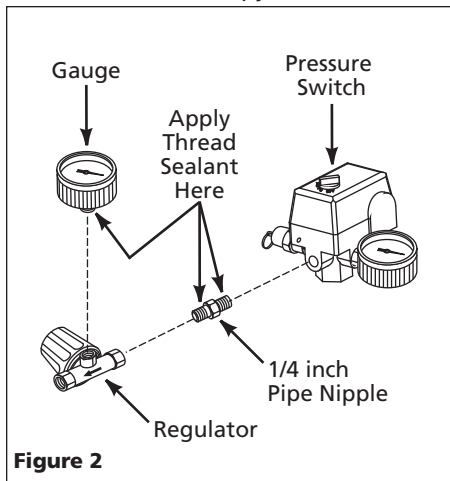


Figure 2

### HORIZONTAL TANK UNITS ONLY

#### HANDLE

1. Remove the handle screw from the tank baseplate, if preinstalled.
2. Insert handle into both sides of tank baseplate. Squeeze handle to fit into special openings in baseplate (See Figure 3).

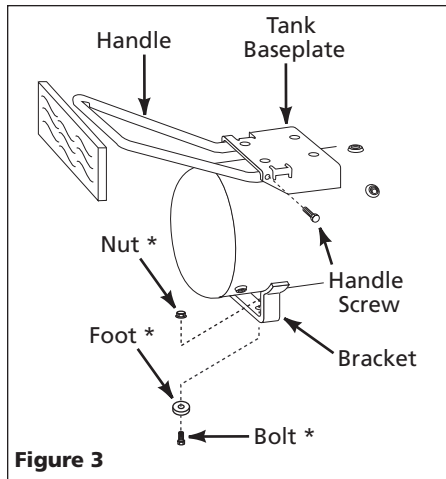


Figure 3

3. Place a short piece of wood against end of handle and tap with a mallet or hammer until the hole in the handle lines up with the hole in the baseplate.
4. Insert and tighten the handle screw into the hole in the baseplate and through the handle. Make sure the screw goes through the handle.

#### WHEEL ASSEMBLY

The items marked with an asterisk (\*) in Figure 4 were shipped loose with the unit. Assemble as follows:

1. Insert shoulder bolt through wheel hub with the bolt head on the opposite side of the protruding hub section.

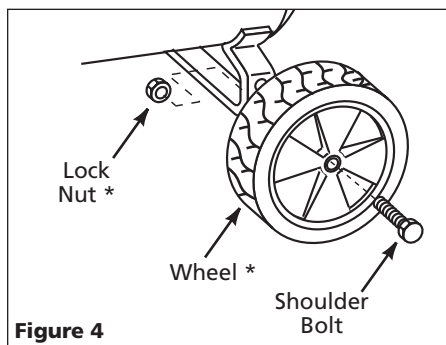


Figure 4

2. For the 8 inch diameter wheels, insert the shoulder bolt in the lowest hole of the tank axle iron and tightly secure with locknut.
3. For the 10 inch diameter wheels, insert the shoulder bolt in the upper hole in the tank axle iron and tightly secure with the locknut. Repeat this step on the opposite side.

When assembled, the tank must sit level or slope slightly towards the tank drain valve to allow tank to drain properly.

### VERTICAL TANK UNITS ONLY

#### HANDLE ASSEMBLY

Insert handle through brackets on tank (See Figure 5).

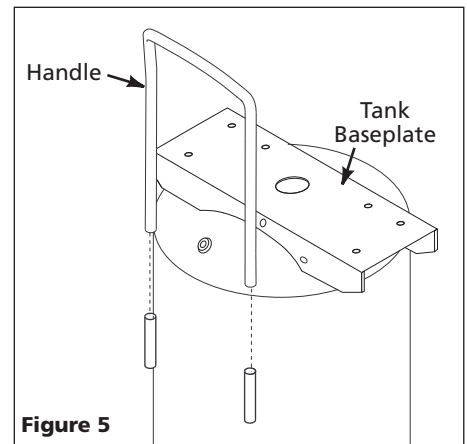


Figure 5

#### FOOT ASSEMBLY

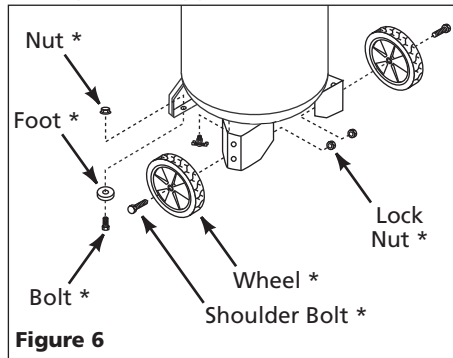
The items marked with an asterisk (\*) were shipped loose with the unit (See Figure 6).

1. Tilt unit to allow access to front foot and secure properly to ensure unit does not tip over.
2. Insert bolt through foot and bracket. The foot should be on the lower side of bracket.

# 1NNF4, 1NNF6, 1NNF7, 2MLW2

## Assembly (Continued)

3. Tightly secure with the lock nut.  
Repeat on opposite side.



### WHEEL ASSEMBLY

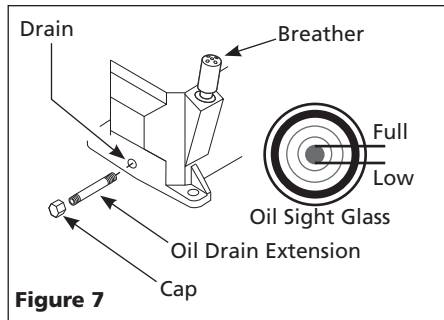
The items marked with an asterisk (\*) were shipped loose with the unit (See Figure 6).

1. Insert shoulder bolt through wheel hub. The bolt hex head should be on the opposite side of protruding hub center.
2. Feed the shoulder bolt through the hole on the tank axle iron and tightly secure with the locknut. Repeat on the opposite side.

### OIL DRAIN EXTENSION

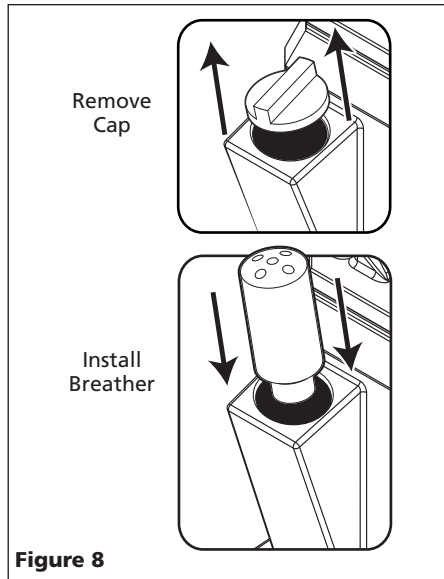
Some models include an oil drain extension and cap (found with the owner's manual). Install the oil drain extension and cap before adding oil to the pump. To avoid oil leaks, it is highly recommended to apply PTFE thread sealant tape or plumber's putty to the threads on each end of the oil drain extension. Screw the cap onto one end of the extension. Remove the oil drain plug from the base of the pump and install the oil drain extension (See Figure 7).

**NOTE:** If your model is equipped with an oil sight glass, add oil to the fill line (See Figure 7).



**Figure 7**  
**BREATHER INSTALLATION**

Remove cap from oil fill opening. Install breather (found in parts bag with this manual. See Figure 8).



**Figure 8**

### LUBRICATION

**CAUTION** THIS UNIT CONTAINS NO OIL! Follow lubrication instructions before operating compressor.

Synthetic oil has proven to provide superior lubrication and is recommended for Speedaire air compressors. Use 10W30 100% synthetic oil such as Mobil 1 (Stock No. 4F743). Single viscosity, ISO100 (SAE 30) non-detergent compressor oil such as

Mobil Rarus® (Stock No. 4ZF21), can also be used. Both are available at your local Grainger branch.

Model	Oil Capacity (approx.)
1NNF4, 1NNF6, 1NNF7, 2MLW2	8.5 oz.

**NOTICE** Do not use petroleum based automotive oil which has shown to increase carbon deposits on the valves, resulting in more frequent service and reduced life.

### WIRING

Local electrical wiring codes differ from area to area. Source wiring, plug and protector must be rated for at least the amperage and voltage indicated on your motor nameplate, and meet all electrical codes for this minimum. Use a slow blow fuse type T or a circuit breaker.

**CAUTION** Overheating, short-circuiting and fire damage will result from inadequate wiring.



**NOTE:** 120 volt, 15 amp units can be operated on a 120 volt 15 amp circuit under the following conditions:

1. No other electrical appliances or lights are connected to the same branch circuit.
2. Voltage supply is normal.
3. Circuit is equipped with a 15 amp circuit breaker or a 15 amp slow blow fuse type T (For Canada use Type D).

If the above conditions cannot be met or if nuisance tripping of the current protection device occurs, it may be necessary to operate the compressor from a 120 volt 20 amp circuit. Some models convert to 240 volt operation, see DUAL VOLTAGE MOTOR.

ENGLISH

# Speedaire® Portable Air Compressors

ENGLISH

## Assembly (Continued)

### GROUNDING INSTRUCTIONS

1. This product must be grounded. In the event of an electric short circuit, grounding reduces the risk of electrical shock by providing an escape wire for the electric current. Unit is equipped with a cord that has a grounding prong. It will fit one of the common outlet types shown in Figure 9. If plug will not fit in the desired outlet, have the outlet replaced by a qualified electrician.

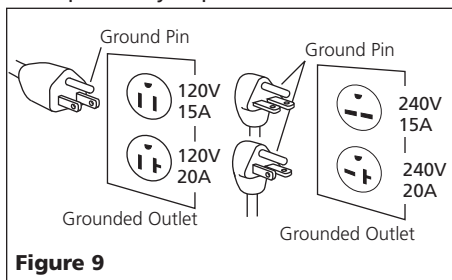


Figure 9

**⚠ DANGER** Improper use of grounding plug can result in a risk of electrical shock.



**NOTE:** Do not use grounding adapter.

2. If repair or replacement of the cord or plug is necessary, do not connect the grounding wire to either flat blade terminal. The wire with insulation having an outer surface that is green with or without yellow stripes is the grounding wire.
3. Check with a qualified electrician or serviceman if the grounding instructions are not completely understood, or if in doubt as to whether the product is properly grounded. Do not modify the plug provided; if it will not fit the outlet, have the proper outlet installed by a qualified electrician.

### PLUGS AND RECEPTACLES

1. If the plug on the electrical cord of the unit is unfamiliar to you or will not fit your particular receptacle, Figure 9 will help you understand why by illustrating the different plugs and the voltages they are to be used with.
2. Make sure that the product is connected to an outlet having the same configuration as the plug.
3. The receptacles must be connected to circuits rated to carry at least the voltage and amperages shown.
4. NEVER have a receptacle replaced with one of a higher amperage before determining the change can be made according to all electrical codes affecting your particular area. The installation should be made by a qualified electrician. If the products must be reconnected for use on different types of circuits, the re-connection should be made by qualified personnel.

### DUAL VOLTAGE MOTORS (SOME MODELS)

Check motor decal to change from low voltage to high voltage.

**⚠ WARNING** All wiring must be performed by a qualified electrician.

To change connections for alternate voltage:

1. Disconnect cord from power source
2. Remove motor terminal cover.
3. Find connection diagram on back side of the cover or on motor nameplate and reconnect to desired voltage as indicated on diagram.

**⚠ WARNING** If you do not understand this wiring diagram you must find a qualified electrician that does understand wiring diagrams.

4. Change plug to match voltage and current requirements.

**⚠ WARNING** When converting to an alternate voltage, be sure the green ground wire of the cord connects to the ground pin of the plug and to the metal body of the pressure switch.

## Operation

### START-UP

**NOTICE** This compressor pump must be filled with oil before startup. See Lubrication section.

**⚠ CAUTION** Do not attach air tools to open end of the hose until start-up is completed and the unit checks OK.

1. Remove the dipstick breather and fill pump to the proper oil level. See Lubrication Section.
2. Turn regulator knob clockwise to open air flow.
3. Turn pressure switch lever or knob to OFF position and plug in power cord.
4. Turn pressure switch lever or knob to AUTO position and run unit for 30 minutes to break in the pump parts (See Figure 10).

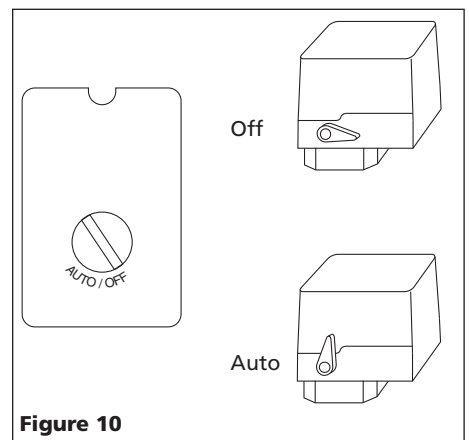


Figure 10

# 1NNF4, 1NNF6, 1NNF7, 2MLW2

## Operation (Continued)

5. Turn regulator knob fully counterclockwise. Compressor will build to maximum preset pressure and shut off.
6. Turn regulator knob clockwise to cause air to bleed off. Compressor will restart at preset pressure.
7. Turn pressure switch lever or knob to OFF position and unplug power cord. Slowly turn regulator knob clockwise to allow all air pressure to be released. Do not proceed to the next step until the tank pressure reaches zero (0).
8. Attach hose, then add chuck or other tool to open end of hose. Plug in power cord. Turn pressure switch lever to AUTO position. When full pressure is reached turn regulator knob clockwise until desired outlet pressure is achieved.
9. After use, turn pressure switch lever or knob to the OFF position.
10. If compressor is not used for a long time period, bleed air from line and use drain valve to drain water from the tank. Then, follow the maintenance schedule.

**NOTE:** Electric models are equipped with a pressure switch that automatically turns the motor OFF when the tank pressure reaches a preset level. After air is used from the tank and drops to a preset low level, the pressure switch automatically turns the motor back on.

## Maintenance

**⚠ WARNING** *Disconnect, tag and lock out power source then release all pressure from the system before attempting to install, service, relocate or perform any maintenance.*

All repairs should be performed by an authorized service representative.

### FOR EFFICIENT OPERATION:

Perform the following test to verify free operation of the safety valve weekly and follow maintenance schedule.



1. Pull ring on safety valve and allow the ring to snap back to normal position (See Figure 11). This valve automatically releases air if the tank pressure exceeds the preset maximum.

**⚠ CAUTION** *A large amount of fast moving air will be released if the safety valve is actuated with air pressure in the tank.*

**⚠ DANGER** *Do not attempt to tamper with this*

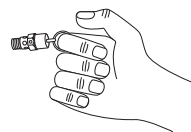


Figure 11

*valve. This valve should be checked occasionally. If air leaks after the ring has been released, or the valve is stuck and cannot be actuated by the ring, the safety valve must be replaced.*

2. With motor OFF and unplugged or locked out, clean debris from motor, flywheel, tank, air lines and pump cooling fins.

### DRIVE BELTS

Belts will stretch in normal use. Properly adjusted, a 5-pound force applied to the belt between the motor pulley and the pump will deflect the belt about 1/2 inch (See Figure 12).

TO ADJUST A SECTION DRIVE BELT:

1. Remove belt guard.

2. Loosen the four fasteners holding the motor to the baseplate.
3. Shift the motor in the proper direction. The belt must be properly aligned when adjustment is made.

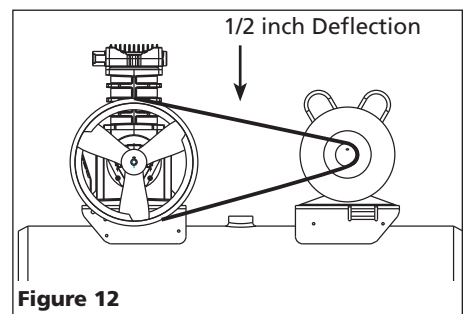


Figure 12

4. Adjust flywheel or motor pulley so that the belt runs straight.
5. If necessary, use a gear puller to move the pulley on the motor shaft. Tighten setscrew after pulley is positioned.
6. Attach belt guard.

### STORAGE

1. When not in use, store hose and compressor in a cool dry place.
2. Drain tanks of moisture and disconnect hose. Hang hose with open ends down to allow any moisture to drain.
3. Protect the electrical cord from possible damage by winding the cord loosely around the handle of the unit or coiling the cord up.

ENGLISH

# Speedaire® Portable Air Compressors

ENGLISH

### MOISTURE IN COMPRESSED AIR

Moisture in compressed air will form into droplets as it comes from an air compressor pump. When humidity is high or when a compressor is in continuous use for an extended period of time, this moisture will collect in the tank. When using a paint spray or sandblast gun, this water will be carried from the tank through the hose, and out of the gun as droplets mixed with the spray material.

**IMPORTANT:** This condensation will cause water spots in a paint job, especially when spraying other than water based paints. If sandblasting, it will cause the sand to cake and clog the gun, rendering it ineffective. A filter or air dryer in the air line, located as near to the gun as possible, will help eliminate moisture.

### MAINTENANCE SCHEDULE

Operation	Daily	Weekly	Monthly	3 Months
Check Oil Level	●			
Drain Tank	●			
Check Air Filter		●		
Check Safety Valve		●		
Blow Dirt From Inside Motor			●	
Check Belt Tightness			●	
Change Oil				●

### TORQUE REQUIREMENTS

Compressor Head Bolts	Bearing Cap Bolts
250 in-lbs	50-120 in-lbs

### Troubleshooting Chart

Symptom	Possible Cause(s)	Corrective Action
Low discharge pressure	1. Air demand exceeds pump capacity	1. Reduce air demand or use a compressor with more capacity
	2. Air leaks	2. Listen for escaping air. Apply soap solution to all fittings and connections. Bubbles will appear at points of leakage. Tighten or replace leaking fittings or connections
	3. Restricted air intake	3. Clean the air filter element
	4. Blown gaskets	4. Replace any gaskets proven faulty on inspection
	5. Leaking or damaged valves	5. Remove head and inspect for valve breakage, misaligned valves, damaged valve seats, etc. Replace defective parts and reassemble

**CAUTION**

*Install a new head gasket each time head is removed*



# 1NNF4, 1NNF6, 1NNF7, 2MLW2

E  
N  
G  
L  
I  
S  
H

## Troubleshooting Chart (Continued)

Symptom	Possible Cause(s)	Corrective Action
Pump overheating causes air filter to melt	<ol style="list-style-type: none"> <li>1. Insulating gasket between filter and head is missing</li> <li>2. Broken valves/blown gasket</li> </ol>	<ol style="list-style-type: none"> <li>1. Install gasket.</li> <li>2. Replace valves or install new gasket.</li> </ol>
Excessive noise (knocking)	<ol style="list-style-type: none"> <li>1. Loose motor or compressor pulley</li> <li>2. Lack of oil in crankcase</li> <li>3. Worn connecting rod</li> <li>4. Worn piston pin bores</li> <li>5. Piston hitting the valve plate</li> <li>6. Noisy check valve in compressor system</li> </ol>	<ol style="list-style-type: none"> <li>1. Loose motor or compressor pulleys are a very common cause of compressors knocking. Tighten pulley clamp bolts and set-screws.</li> <li>2. Check for proper oil level; if low, check for possible damage to bearings. Dirty oil can cause excessive wear</li> <li>3. Replace connecting rod. Maintain oil level and change oil more frequently.</li> <li>4. Remove piston assemblies from the compressor and inspect for excess wear. Replace excessively worn piston pin or pistons, as required. Maintain oil level and change oil more frequently.</li> <li>5. Remove the compressor head and valve plate and inspect for carbon deposits or other foreign matter on top of piston. Replace head and valve plate using new gasket. See Lubrication section for recommended oil.</li> <li>6. Replace.                     <div style="background-color: black; color: white; padding: 2px; display: inline-block;"><b>⚠ DANGER</b></div> <b><i>Do not disassemble check valve with air pressure in tank.</i></b> </li> </ol>
Large quantity of oil in the discharge air <b>NOTE:</b> In an oil lubricated compressor there will always be a small amount of oil in the air stream.	<ol style="list-style-type: none"> <li>1. Worn piston rings</li> <li>2. Compressor air intake restricted</li> <li>3. Excessive oil in compressor</li> <li>4. Wrong oil viscosity</li> </ol>	<ol style="list-style-type: none"> <li>1. Replace with new rings. Maintain oil level and change oil more frequently.</li> <li>2. Clean filter. Check for other restrictions in the intake system.</li> <li>3. Drain down to full level.</li> <li>4. Use Mobil 1® 10W-30.</li> </ol>
Water in discharge air/tank	Normal operation. The amount of water increases with humid weather	<ol style="list-style-type: none"> <li>1. Drain tank more often. At least daily.</li> <li>2. Add a filter to reduce the amount of water in the air line.</li> </ol>
Motor hums and runs slowly or not at all	<ol style="list-style-type: none"> <li>1. Use of extension cord</li> <li>2. Malfunctioning check valve or unloader valve</li> </ol>	<ol style="list-style-type: none"> <li>1. Do not use an extension cord. Use longer air hose with larger diameter.</li> <li>2. Replace check valve, unloader valve or pressure switch.                     <div style="background-color: black; color: white; padding: 2px; display: inline-block;"><b>⚠ DANGER</b></div> <b><i>Do not disassemble check valve with air pressure in tank.</i></b> </li> </ol>

(Continued on next page)

# Speedaire® Portable Air Compressors

## Troubleshooting Chart (Continued)

Symptom	Possible Cause(s)	Corrective Action
Motor hums and runs slowly or not at all (Continued)	<ol style="list-style-type: none"> <li>3. Low voltage</li> <li>4. Malfunctioning pressure switch - contacts will not close</li> </ol>	<ol style="list-style-type: none"> <li>3. Check with voltmeter, check reset switch on motor. If reset switch trips repeatedly, find and correct the cause. See next item.</li> <li>4. Repair or replace pressure switch.</li> </ol>
Reset mechanism cuts out repeatedly or fuses blow repeatedly	<ol style="list-style-type: none"> <li>1. Too many devices on same circuit</li> <li>2. Incorrect fuse size or circuit breaker</li> <li>3. Malfunctioning check valve</li> <li>4. Pressure switch set too high</li> <li>5. Loose wiring</li> <li>6. Malfunctioning motor</li> </ol>	<ol style="list-style-type: none"> <li>1. Limit the circuit to the use of only the air compressor.</li> <li>2. Be sure that fuses or circuit breakers are rated properly.</li> <li>3. Replace check valve. <b>⚠ DANGER</b> <i>Do not disassemble check valve with air pressure in tank.</i></li> <li>4. Adjust or replace.</li> <li>5. Check all electrical connections.</li> <li>6. Replace motor.</li> </ol>
Tank does not hold pressure when compressors off and the shut off valve is closed	<ol style="list-style-type: none"> <li>1. Worn check valve</li> <li>2. Check all connections and fittings for leaks</li> <li>3. Check tank for cracks or pin holes</li> </ol>	<ol style="list-style-type: none"> <li>1. Replace check valve. <b>⚠ DANGER</b> <i>Do not disassemble check valve with air pressure in tank.</i></li> <li>2. Tighten.</li> <li>3. Replace tank. Never repair a damaged tank.</li> </ol>
Pressure switch continuously blows air out the unloader valve	Malfunctioning check valve	Replace the check valve if the unloader valve bleeds off constantly. <b>⚠ DANGER</b> <i>Do not disassemble check valve with air pressure in tank.</i>
Pressure switch does not release air when the unit shuts off	Malfunctioning unloader valve on pressure switch	Replace the pressure switch if it does not release the pressure for a short period of time when the unit shuts off. <b>⚠ DANGER</b> <i>Do not disassemble pressure switch with air pressure in tank.</i>
Excessive vibration	<ol style="list-style-type: none"> <li>1. Loose fasteners</li> <li>2. Belt needs replaced</li> <li>3. Belt alignment</li> </ol>	<ol style="list-style-type: none"> <li>1. Tighten.</li> <li>2. Replace with correct size.</li> <li>3. Align flywheel and pulley.</li> </ol>

Por favor lea y guarde estas instrucciones. Léalas cuidadosamente antes de tratar de montar, instalar, operar o dar mantenimiento al producto aquí descrito. Protéjase usted mismo y a los demás observando toda la información de seguridad. ¡El no cumplir con las instrucciones puede ocasionar daños, tanto personales como a la propiedad! Guarde estas instrucciones para referencia en el futuro.

# Compresores de Aire Portátiles de Speedaire®

Por garantía y servicio 1-888-606-5587  
No devolver a la sucursal

## Descripción

Los compresores de aire están diseñados para suministrarle aire comprimido a herramientas neumáticas y pistolas pulverizadoras. Los cabezales de dichos compresores se lubrican con aceite. Por lo tanto, el aire comprimido suministrado por estos compresores contiene residuos de aceite. Si necesita suministro de aire purificado, sin residuos de aceite o agua, deberá instalarle un filtro adecuado. El compresor de aire se debe instalar sobre un piso o terreno sólido. Cualquier otro uso de estas unidades cancelaría las garantías y el fabricante no sería responsable por los problemas o daños consecuentes.

## Medidas de seguridad

Este manual contiene información que es muy importante que sepa y comprenda. Esta información se la suministramos como medida de SEGURIDAD y para EVITAR PROBLEMAS CON EL EQUIPO. Debe reconocer los siguientes símbolos.

**▲ PELIGRO** Esto le indica que hay una situación inmediata que LE OCASIONARIA la muerte o heridas de gravedad.

**▲ ADVERTENCIA** Esto le indica que hay una situación que PODRIA ocasionarle la muerte o heridas de gravedad.

**▲ PRECAUCION** Esto le indica que hay una situación que PODRIA ocasionarle heridas no muy graves.

**AVISO** Esto le indica una información importante, que de no seguirla, le podría ocasionar daños al equipo.

**NOTA:** Información que requiere atención especial.

## Para desempacar

Al desempacar este producto, revíselo con cuidado para cerciorarse de que esté en perfecto estado. Igualmente, cerciórese de apretar todos los pernos, tuercas y conexiones, antes de usarlo.

**▲ ADVERTENCIA** Esto le indica No debe utilizar la unidad si se ha dañado durante el envío, manejo o uso. Los daños podrían ocasionar una explosión y ocasionarle heridas o daños a su propiedad.

## Informaciones Generales de Seguridad

### PROPOSICIÓN DE CALIFORNIA 65

**▲ ADVERTENCIA** Este producto, o su cordón eléctrico, puede contener productos químicos conocidos por el estado de California como causantes de cáncer y defectos de nacimiento u otros daños reproductivos. Lave sus manos después de usar.

**▲ ADVERTENCIA** Cuando corta lija, taladra o pule materiales como por ejemplo madera, pintura, metal, hormigón, cemento, u otro tipo de mampostería se puede producir polvo. Con frecuencia este polvo contiene productos químicos que se conocen como causantes de cáncer, defectos congénitos u otros daños reproductivos. Use equipo de protección.



### GENERALES DE SEGURIDAD

Como el compresor de aire y otros componentes usados (cabezales, pistolas pulverizadoras, filtros,

## ▲ PELIGRO

### Advertencia sobre el aire respirable

Este compresor/cabezal NO VIENE listo de fábrica para suministrarle aire respirable y NO SE DEBE usar con este fin. Antes de utilizarlos con este fin, deberá instalarle un sistema de seguridad y alarma incorporado a la línea. Este sistema adicional es necesario para filtrar y purificar el aire adecuadamente, para cumplir con las especificaciones mínimas sobre aire respirable de Grado D descritas en la Especificación de Productos G.7.1.1966 de la Asociación de Gases Comprimidos. Igualmente, deberá cumplir los requisitos establecidos por el Artículo 29 CFR 1910.134 de la Organización norteamericana OSHA y/o la Canadian Standards Associations (CSA).



### RENUNCIA A LAS GARANTIAS


SI EL COMPRESOR SE UTILIZA PARA PRODUCIR AIRE RESPIRABLE SIN HABERLE INSTALADO EL SISTEMA DE SEGURIDAD Y ALARMA, TODAS LA GARANTÍAS SE ANULARÁN Y LA COMPAÑÍA DAYTON ELECTRIC MFG. NO ASUMIRÁ NINGUNA RESPONSABILIDAD POR PÉRDIDAS, HERIDAS PERSONALES O DAÑOS.

lubricadores, mangueras, etc.), forman parte de un sistema de bombeo de alta presión, deberá seguir las siguientes medidas de seguridad todo el tiempo:

# Compresores de Aire Portátiles de Speedaire®

## Informaciones Generales de Seguridad (Continuación)


1. Lea con cuidado todos los manuales incluidos con este producto. Familiarícese con los controles y el uso adecuado del equipo. 
2. Siga todos los códigos de seguridad laboral y electricidad establecidos en su país, por ejemplo, los de la NEC y OSHA en EUA.
3. El compresor sólo debe ser usado por personas que estén bien familiarizadas con las reglas de seguridad de manejo.
4. Mantenga a los visitantes alejados y NUNCA permita la presencia de niños en el área de trabajo.
5. Siempre use anteojos de seguridad y protéjase los oídos para operar el cabezal o el compresor. 
6. No se encarama sobre el cabezal, ni lo use para sostenerse.
7. Antes de cada uso, inspeccione el sistema de aire comprimido y los componentes eléctricos para ver si están dañados, deteriorados, desgastados o tienen fugas. Repare o reemplace las piezas dañadas antes de usar el equipo.
8. Chequee todas las conexiones frecuentemente para cerciorarse de que estén bien apretadas.

**ADVERTENCIA** Los motores, equipos eléctricos y controles, pueden ocasionar arcos eléctricos que se encenderían con gases o vapores inflamables. Nunca utilice o repare el compresor cerca de gases o vapores inflamables. Nunca almacene líquidos o gases inflamables cerca del compresor. 

**ADVERTENCIA** Nunca utilice el compresor sin la tapa de las bandas. Los compresores se 

pueden encender automáticamente sin previo aviso. Las piezas en movimiento podrían ocasionarle heridas o daños a su propiedad.

9. No se ponga ropa muy holgada o joyas, ya que éstas se le podrían enredar en las piezas en movimiento.


**PRECAUCION** Las piezas del compresor podrían estar calientes, inclusive cuando la unidad esté apagada. 

10. Mantenga los dedos alejados del compresor cuando éste esté funcionando; las piezas en movimiento o calientes, le ocasionarían heridas y/o quemaduras.
11. Si el equipo comienza a vibrar excesivamente, APAGUE el motor y chequéelo inmediatamente para determinar la razón. Generalmente, la vibración excesiva se debe a una falla.
12. Para reducir el peligro de incendio, mantenga el exterior del motor libre de aceite, solventes o exceso de grasa.

**ADVERTENCIA** DEBE instalarle una válvula de seguridad ASME que esté diseñada para presiones máximas de 10,34 bar, en el tanque de este compresor. Esta válvula debe estar diseñada para los valores máximos de flujo y presión para proteger los componentes contra el peligro de explosión.

**PRECAUCION** Vea la presión máxima de trabajo en la etiqueta de especificaciones del compresor. No lo utilice con el presostato o las válvulas piloto fijados a presiones que excedan las especificaciones.


13. Nunca trate de ajustar la válvula de seguridad ASME. Evite que se le acumule pintura u otro residuos.


**PELIGRO** ¡Nunca trate de reparar o modificar el tanque! Si lo suelda, taladra o modifica de cualquier otra manera, el tanque se debilitará y podría romperse o explotar. Siempre reemplace los tanques desgastados o dañados. 


**ADVERTENCIA** Drene el tanque diariamente.

14. Los tanques se oxidan debido a la acumulación de humedad y esto debilita el tanque. Cerciórese de drenar el tanque con regularidad e inspeccionarlo periódicamente, para ver si está en malas condiciones, por ejemplo, si está oxidado.
15. La circulación rápida de aire podría levantar polvo y desperdicios dañinos. Siempre libere el aire lentamente para drenar el tanque o liberar la presión del sistema.

## PRECAUCIONES PARA ROCIAR

**ADVERTENCIA** Nunca rocíe materiales inflamables cerca de llamas al descubierto o fuentes de ignición, incluyendo el compresor. 

16. No fume mientras esté rociando pintura, insecticidas u otras sustancias inflamables.
17. Use una máscara / respirador cuando vaya a rociar y siempre rocíe en un área bien ventilada, para evitar peligros de salud e incendios. 
18. Nunca rocíe la pintura y otros materiales, directamente hacia el compresor. Coloque el compresor lo más lejos posible del área de trabajo, para minimizar la acumulación de residuos en el compresor.
19. Al rociar o limpiar con solventes o químicos tóxicos, siga las instrucciones del fabricante de dichos químicos.

**ADVERTENCIA** Disconnect, tag and lock out power source, then release all pressure from the system before attempting to install, service, relocate or perform any maintenance. 

# Serie De Hierro Colado

## Introducción

SUbique las siguientes piezas en las Figuras 1a y 1b.

**Presostato** - Encendido automático. Algunos modelos no tienen un interruptor manual. El interruptor está permanentemente en encendido automático. En la posición AUTO, el compresor se apaga automáticamente cuando la presión del tanque alcanza el nivel máximo fijado de fábrica. En la posición OFF (apagado), el compresor no funcionará. El presostato debe estar en la posición OFF cuando vaya a conectar o desconectar el cordón eléctrico del tomacorrientes o cuando vaya a cambiar las herramientas neumáticas.

Cuando el interruptor de presión apaga el motor usted escuchará aire saliendo de la válvula de descarga del interruptor de presión durante un breve lapso de tiempo. Esto libera la presión de aire del tubo de descarga y permite que el compresor se vuelva a encender más fácilmente.

**Regulador** - El regulador controla la cantidad de presión de aire en la manguera de aire. La manguera de aire está unida a la salida del regulador.

**Válvula de Seguridad ASME** - Esta válvula automáticamente libera el aire si la presión del tanque excede el nivel máximo fijado.

**Tubo de Descarga** - Este tubo transporta el aire comprimido del cabezal a la válvula de chequeo. Este tubo se calienta bastante durante el uso.

**⚠ ADVERTENCIA** *Para evitar el riesgo de quemaduras severas, nunca toque el tubo de descarga.*

**Válvula de Chequeo** - Esta válvula de un sólo sentido permite la entrada de aire al tanque y previene el flujo de aire del tanque hacia el cabezal del compresor.

**Mango** - Diseñado para mover el compresor.

**⚠ ADVERTENCIA** *Nunca use el mango para levantar completamente la unidad.*

**Tapa Protectora de Bandas** - Cubre la banda, la polea del motor y el volante.

**⚠ ADVERTENCIA** *Nunca opere el compresor sin las tapas de protección. Esta unidad se puede encender automáticamente sin previo aviso. El contacto con las piezas en movimiento le podría ocasionar heridas o daños a su propiedad.*



**Válvula de drenaje del tanque** - Esta válvula está ubicada en la parte inferior del tanque. Úsela para drenar el agua del tanque diariamente, ésto reduce el riesgo de que el tanque se oxide. Diariamente, reduzca la presión del tanque a menos de 0,69 bar y después drene el tanque para evitar que se oxide. Drene la humedad del tanque o tanques abriendo la válvula de drenaje ubicada debajo del tanque.

**Medidor de presión del tanque** - Indica la cantidad de presión de aire almacenada en el tanque.

**Medidor de presión de la manguera** - Indica la cantidad de presión de aire en la manguera utilizada para hacer funcionar las herramientas. Esta presión se aumenta o disminuye con el regulador.

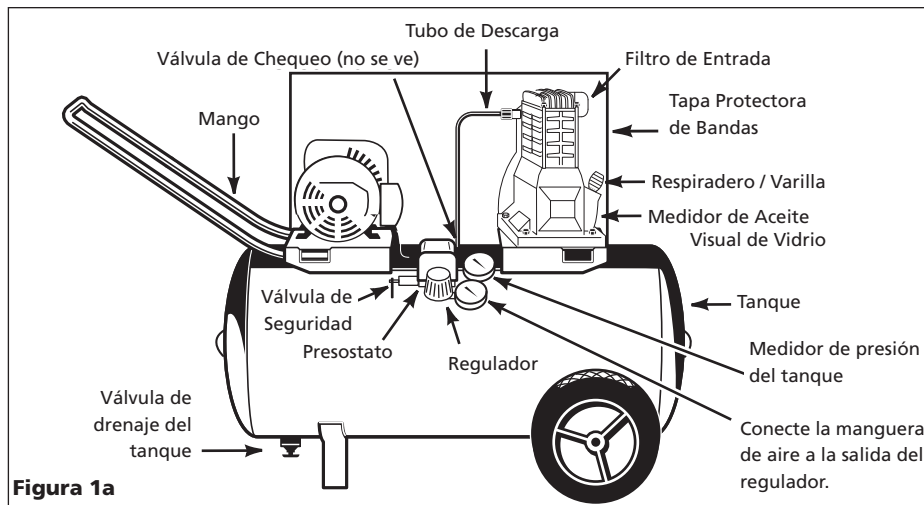


Figura 1a

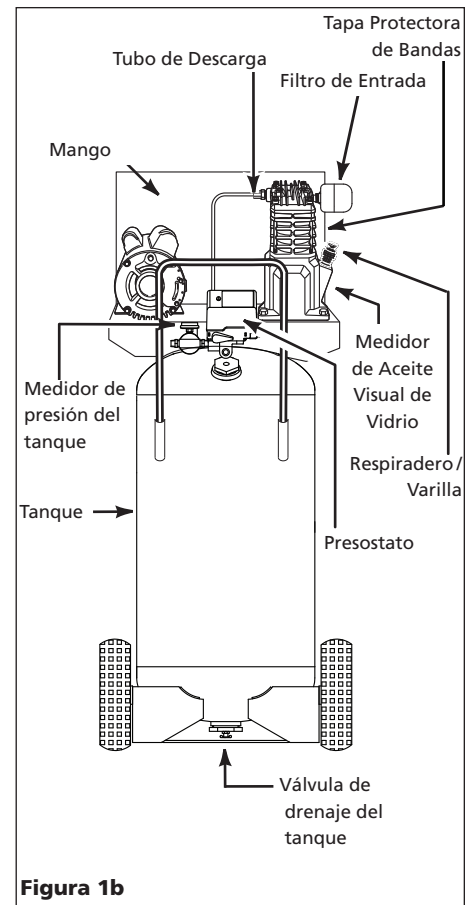


Figura 1b

E  
S  
P  
A  
Ñ  
O  
L

# Compresores de Aire Portátiles de Speedaire®

## Ensamblaje

### REGULADOR

1. Retirer le(s) bouchon(s) du sac de plastique. Aplique a las roscas cinta selladora para roscas.
2. El ensamble está diseñado para ser colocado únicamente en la salida del distribuidor (vea la Figura 1), introduciendo el niple para tuberías (vea la Figura 2) y girando el ensamble hacia la derecha. Apriete hasta que quede ajustado o a 75 pulg.-lb. El manómetro se debe orientar en la misma dirección que el manómetro que ya está incorporado al compresor (vea la Figura 1). Conecte la manguera y la boquilla para neumáticos. Usando agua jabonosa compruebe que no haya pérdidas.

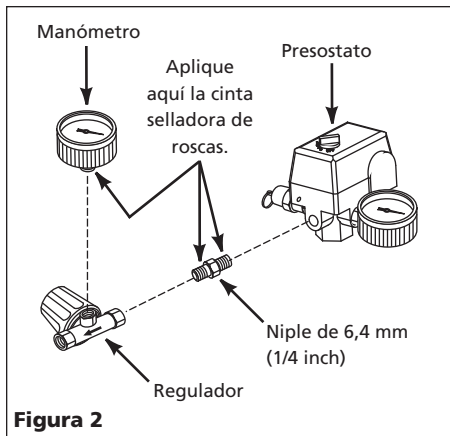


Figura 2

### SÓLO UNIDADES CON TANQUE HORIZONTAL

#### MANGO

1. Saque el tornillo del mango de la base del tanque, si estaba colocado.
2. Conecte el mango a ambos lados de la base del tanque. Empújelo de modo que calce bien dentro de los orificios de la base (Vea la Figura 3).
3. Coloque un trozo de madera en el extremo del mango y golpéelo con un mazo o martillo hasta que el orificio del mango esté alineado con el de la base.

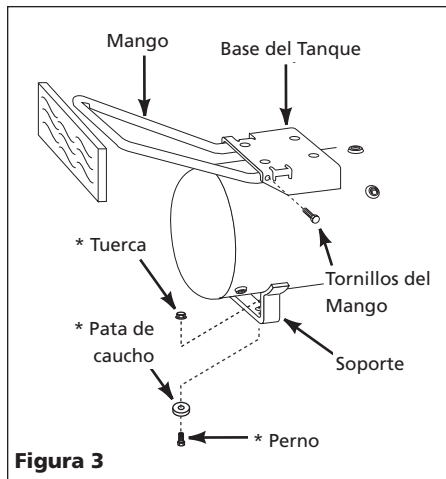


Figura 3

4. Introduzca el tornillo a través de los orificios de la base y el mango, y apriételo bien. Cerciérese de que el tornillo esté sosteniendo el mango.

#### PARA ENSAMBLAR LAS RUEDAS

Los artículos marcados con un asterisco (\*) en la Figura 4 se envían de fábrica desconectados de la unidad. Para ensamblarlos siga los pasos a continuación:

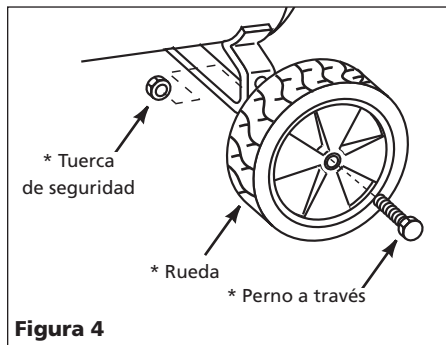


Figura 4

1. Introduzca el perno a través del cubo de la rueda. La cabeza del perno debe estar en el lado opuesto a la pieza sobresaliente del cubo.
2. En las ruedas de 20,3 cm de diámetro, introduzca el perno en el orificio ubicado en la parte inferior del eje del tanque y asegúrelo bien con una tuerca de seguridad.
3. En las ruedas de 25,4 cm de diámetro, introduzca el perno en el orificio ubicado en la parte superior

del eje del tanque y asegúrelo bien con una tuerca de seguridad. Repita este paso en el otro lado.

Cuando está armado, el tanque debe estar apoyado en forma nivelada o inclinado levemente hacia la válvula de drenaje del tanque para permitir que drene adecuadamente.

### SÓLO UNIDADES DE TANQUE VERTICAL

#### ENSAMBLADO DEL MANGO

Introduzca el mango a través de los orificios que se encuentran en el tanque (Vea la Figura 5).

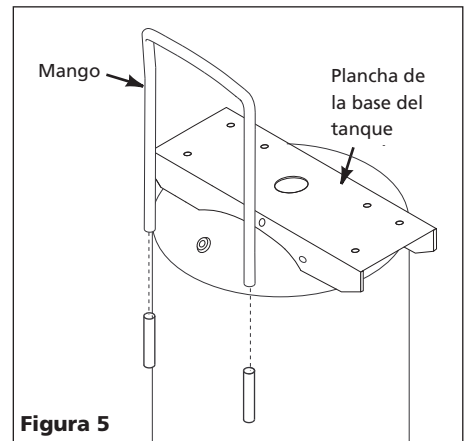


Figura 5

#### ENSAMBLADO DEL PIE

Los artículos marcados con un asterisco (\*) se envían de fábrica desconectados de la unidad. (Vea la Figura 6).

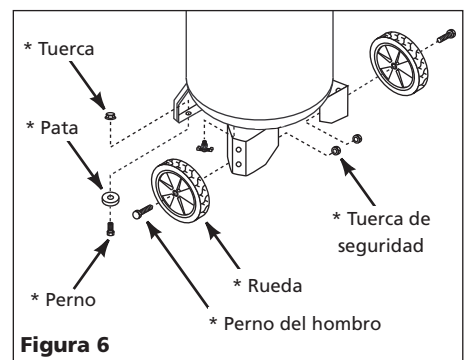


Figura 6

1. Incline la unidad para permitir el acceso al pie frontal y asegurarlo adecuadamente para que la unidad no se vuelque.

# Serie De Hierro Colado

## Ensamblaje (Continuación)

2. Introduzca el perno a través del pie y de la escuadra. El pie debe estar en el lado más bajo de la escuadra.
3. Asegúrelo firmemente con la tuerca de seguridad. Repita el procedimiento en el lado opuesto.

## ENSAMBLADO DE LA RUEDA

Los artículos marcados con un asterisco (\*) se se envían de fábrica desconectados de la unidad. (Vea la Figura 6).

1. Introduzca el perno a través del cubo de la rueda. La cabeza del perno debe estar en el lado opuesto del centro del cubo sobresaliente.
2. Introduzca el perno en el orificio ubicado en la pieza de hierro de eje del tanque y asegúrelo bien con una tuerca de seguridad. Repita el procedimiento en el lado opuesto.

## EXTENSION PARA DRENAR EL ACEITE

Algunos modelos incluyen una extensión para drenar el aceite con una tapa (anexos al manual de instrucciones). Conecte esta extensión y tapa **antes de añadirle aceite al cabezal**. PPara evitar pérdidas de aceite, se recomienda aplicar cinta selladora de roscas de PTFE, o masilla para plomería, a las roscas a cada extremidad de la extensión de drenaje de aceite. Coloque la tapa en uno de los extremos de la extensión. Qúitele el tapón al orificio de drenaje en la base del cabezal y conecte la extensión (Vea la Figura 7).

**NOTA:** Si su unidad está equipada con un medidor de aceite visual de vidrio, añádale aceite hasta la línea indicadora.

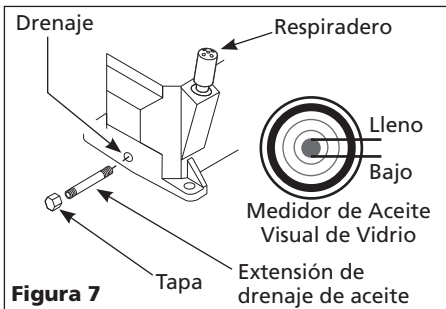


Figura 7

## INSTALACIÓN DEL RESPIRADERO

Retire el tapón del orificio para llenar el aceite. Instale el respiradero (se encuentra en la bolsa de las piezas con este manual). Vea la figura 8.

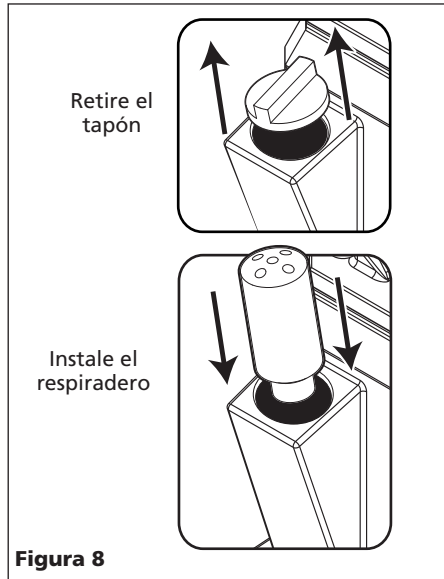


Figura 8

## LUBRICACION

**PRECAUCION** ¡ESTA UNIDAD NO TIENE ACEITE! Antes de utilizar el compresor, llénelo de aceite según las instrucciones de lubricación.

El aceite sintético ha probado proporcionar una lubricación superior y es el recomendado para los compresores de aire Speedaire by Dayton. Use aceite 10W30 100% sintético como por ejemplo Mobil 1 (Nº de inv. 4F743). También se puede usar aceite para compresor no detergente de viscosidad única, ISO100 (SAE 30) como por ejemplo Mobil Rarus® (Nº de inv. 4ZF21). Ambos están disponibles en su sucursal local Grainger.

**AVISO** No utilice aceite automotriz a base de petróleo, el cual ha mostrado que aumenta los depósitos de carbón en las válvulas, y da como resultado la necesidad de servicio más frecuente y una vida menor.

Modelo	Cap. de Aceite (Aprox.)
1NNF4, 1NNF6, 1NNF7, 2MLW2	0,25 L

## ALAMBRADO

Los códigos locales de electricidad varían de un área a otra. Los alambrados de la fuente de suministro eléctrico, los enchufes y protectores deben estar diseñados por lo menos para los amperajes y voltajes indicados en la placa del motor, y cumplir con todos los códigos de electricidad de éstos. Use un fusible de acción retardada Tipo T, o un cortacircuito.

**PRECAUCION** El alambrado inadecuado podría ocasionar sobrecalentamiento, cortocircuitos o incendios.



**NOTA:** Las unidades de 120 voltios, 15 amperios se pueden usar con circuitos de 120 voltios 15 amperios bajo las siguientes condiciones:

1. No haya ningún otro artefacto eléctrico o luces conectados al mismo circuito.
2. El voltaje suministrado sea normal.
3. El circuito esté equipado con un cortacircuito de 15 amperios o un fusible de acción retardada tipo T de 15 amperios (En el Canadá use Tipo D).

Si no puede satisfacer las condiciones arriba enumeradas o si el cortacircuito se activa frecuentemente, quizás tenga que utilizar un circuito de 120 voltios 20 amperios. Algunos modelos se pueden utilizar con 240 voltios, vea las instrucciones de MOTOR DE VOLTAJE DOBLE.

E  
S  
P  
A  
Ñ  
O  
L

# Compresores de Aire Portátiles de Speedaire®

## Ensamblaje (Continuación)

### INSTRUCCIONES PARA CONECTAR A TIERRA.

- Este producto debe tener una conexión a tierra. En el caso de que ocurra un cortocircuito, la conexión a tierra reduce el riesgo de un choque eléctrico proporcionándole un cable de escape para la corriente. La unidad está equipada con un cable con una terminal para la conexión a tierra. La misma calzará en uno de los tipos de tomacorrientes mostrados en la Figura 9. Si el enchufe no calza en el tomacorriente deseado, haga que un electricista calificado reemplace el tomacorriente.

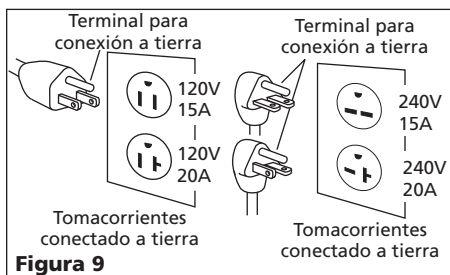


Figura 9

**⚠ PELIGRO** El uso inadecuado del enchufe podría ocasionar un riesgo de electrocutamiento.



**NOTA:** No use un adaptador para conectar a tierra.

- Si necesita reparar o reemplazar el cordón o el enchufe, no conecte el cable de conexión a tierra a ninguno de los terminales planos. Dicho cable es el que tiene un forro verde con o sin rayas amarillas.
- Consúltele a un electricista calificado si no comprende las instrucciones de conexión a tierra o si tiene dudas de que lo ha conectado correctamente. Nunca modifique el enchufe suministrado; si éste no entra en el tomacorrientes, un electricista calificado debe instalar el tomacorrientes adecuado.

### ENCHUFES Y TOMACORRIENTES

- Si el enchufe del cordón eléctrico no le parece familiar o si no entra en el tomacorrientes, la Figura 9 le permitirá familiarizarse con éstos y con los voltajes necesarios para los mismos.
- Cerciórese de que lo ha conectado a un tomacorrientes adecuado para el enchufe.
- Los tomacorrientes deben estar conectados a circuitos con voltajes y amperajes similares o mayores a los indicados.
- NUNCA reemplace un tomacorrientes con uno de un amperaje más alto sin antes determinar si se puede hacer según todos los códigos eléctricos del área. La instalación la debe hacer un electricista calificado. Si necesita reconectar el producto para el uso en circuitos diferentes, ésto lo deberá hacer un técnico calificado en la materia.

### MOTORES DE VOLTAJE DOBLE (ALGUNOS MODELOS)

Chequee la etiqueta del motor para cambiar del voltaje bajo al alto.

**⚠ ADVERTENCIA** Todo el alambrado debe ser realizado por un electricista cualificado.

Para modificar las conexiones para otro voltaje:

- Desconecte el cordón de la fuente de suministro eléctrico.
- Destape el terminal del motor.
- Vea el diagrama del alambrado en la parte posterior de la tapa o en la placa del motor y haga las conexiones para el voltaje deseado según las instrucciones del diagrama.

**⚠ ADVERTENCIA** Si no entiende este diagrama de alambrado deberá encontrar un electricista que comprenda este tipo de diagramas.

- Cámblele el enchufe por uno adecuado para el voltaje y corriente eléctrica.

**⚠ ADVERTENCIA** Siempre que cambie el alambrado para un voltaje diferente, cerciórese de conectar el cable verde, de conexión a tierra, al terminal para conexión a tierra y a la parte metálica del presostato.

## Funcionamiento

### PARA ENCENDERLO

**AVISO** El cabezal de este compresor se debe llenar de aceite antes de encenderlo. Vea la sección de lubricación.

**⚠ PRECAUCION** No conecte las herramientas al extremo de la manguera hasta que haya completado los pasos a continuación y verificado que la unidad esté lista para funcionar.

- Saque la varilla del respiradero y llene de aceite el cabezal hasta alcanzar el nivel adecuado. Vea la Sección de Lubricación.
- Gire la perilla del regulador en el mismo sentido de las agujas del reloj para permitir el flujo de aire.
- Gire la palanca del interruptor de presión o la perilla en la posición OFF y enchufe el cable de alimentación.
- Gire la palanca del interruptor de presión o la perilla en la posición AUTO y deje que la unidad opere por 30 minutos para darle un rodaje a las piezas del motor (vea Fig. 10).

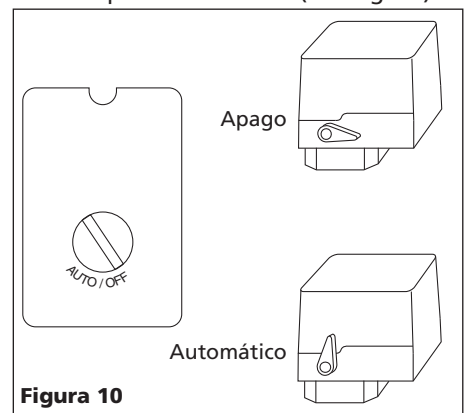


Figura 10



# Serie De Hierro Colado

## Funcionamiento (Continuación)

- Gire la perilla del regulador completamente en el sentido contrario a las agujas del reloj. El compresor alcanzará la presión máxima fijada y se apagará.
- Gire la perilla del regulador en el mismo sentido de las agujas del reloj para purgar el aire. El compresor se encenderá al alcanzar una presión fijada.
- Gire la palanca o perilla del presostato a la posición (OFF) apagado y desenchufe el cordón eléctrico. Gire lentamente la perilla del regulador en sentido horario para dejar que se libere toda la presión de aire. No continúe con el siguiente paso hasta que la presión del tanque llegue a cero (0).
- Conecte la manguera, luego agregue el portabroca u otra herramienta al extremo abierto de la manguera. Enchufe el cordón eléctrico. Gire la palanca del presostato a la posición AUTO. Cuando se alcance la presión total gire la perilla del regulador en sentido horario hasta alcanzar la presión de salida deseada.
- Después del uso, gire la palanca del interruptor de presión o la perilla en la posición OFF.
- Si el compresor no se utiliza durante un período de tiempo prolongado, purgue el aire de la línea y utilice la válvula de drenaje para drenar el agua del tanque. Luego siga el plan de mantenimiento.

**NOTA:** Los modelos eléctricos tienen un presostato que APAGA automáticamente el motor cuando la presión del tanque alcanza un nivel fijado. Igualmente, una vez que la presión del tanque haya bajado hasta otro nivel fijado, debido al consumo de aire, el presostato encenderá el motor automáticamente.

## Mantenimiento

### ⚠ ADVERTENCIA

**Desconecte el cordón eléctrico, amárrelo y aléjelo del tomacorrientes, después libere toda la presión del sistema antes de tratar de instalar el compresor, darle servicio, moverlo de sitio o darle cualquier tipo de mantenimiento.**



Todas las reparaciones las debe hacer un técnico de un centro de servicio autorizado.

### PARA UN FUNCIONAMIENTO EFICIENTE

Siempre debe darle el mantenimiento indicado en la tabla y semanalmente debe hacer la siguiente prueba para verificar que la válvula de seguridad esté funcionando adecuadamente.

- Hale el anillo de la válvula de seguridad y deje que calce en su posición normal (Vea la Figura 11).

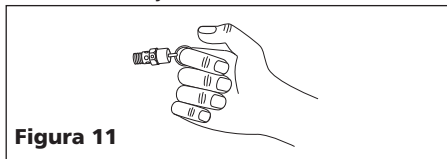


Figura 11

### ⚠ PRECAUCION

**Si la válvula de seguridad se hace funcionar con presión de aire en el tanque, se liberará una gran cantidad de aire que se encuentra en movimiento a gran velocidad.**

### ⚠ PELIGRO

**No trate de modificar esta válvula. Esta válvula se debe chequear periódicamente. Debe reemplazar la válvula de seguridad si hay fugas de aire, después de soltar el anillo, o si la válvula está atascada y no la puede activar con el anillo.**

- Con el motor en OFF (APAGADO) y desconectado, limpie el motor, y el volante, el tanque, las líneas de aire y las aletas del sistema de enfriamiento del cabezal.

## BANDAS

Las bandas se estiran como resultado del uso normal. Cuando están bien ajustadas la deflexión debe ser sólo una 12,7 mm (1/2 inch) al aplicarle una fuerza de 2,27 kg entre la polea del motor y el cabezal (Vea la Figura 12).

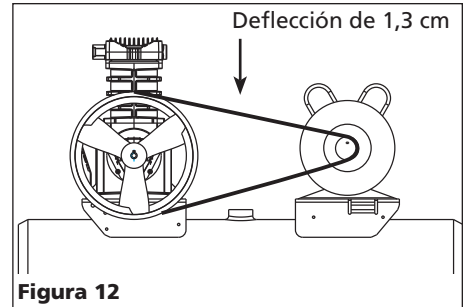


Figura 12

### PARA AJUSTAR LA BANDA:

- Quítele la tapa protectora de la banda.
- Afloje los cuatro pernos que unen el motor a la base.
- Mueva el motor en la dirección adecuada. Después de hacer los ajustes, debe alinear la banda.
- Ajuste el volante o la polea del motor para que la banda corra derecha.
- Si es necesario, use un sacaengranaje para mover la polea en el eje del motor. Apriete los pernos una vez que la polea esté en su sitio.
- Colóquese la tapa protectora de bandas.

## ALMACENAMIENTO

- Cuando no estén en uso, las mangueras y el compresor se deben almacenar en un sitio frío y seco.
- Debe drenar los tanques, desconectar la manguera y colgarla con los extremos hacia abajo para permitir el drenaje.
- Para evitar daños enrolle el cordón y amárrelo o enróllelo en el mango.

# Compresores de Aire Portátiles de Speedaire®

## HUMEDAD EN EL AIRE COMPRIMIDO

La humedad que se acumula en el aire comprimido se convierte en gotas a medida que sale del cabezal del compresor de aire. Cuando el nivel de humedad es muy alto o cuando el compresor ha estado en uso continuo por mucho tiempo, ésta se acumulará en el tanque. Al usar una pistola pulverizadora de pintura o una rociadora de arena, la misma saldrá a través de la manguera mezclada con el material que esté rociando.

**IMPORTANTE:** Esta condensación ocasionará manchas en la superficie pintada, especialmente cuando esté pulverizando pinturas que no sean a base de agua. Al rociar arena esta ocasionará que la arena se aglutine y obstruya la pistola, reduciendo su eficacia.

Para eliminar este problema, coloque un filtro en la línea de aire, lo más cerca posible de la pistola.

## MANTENIMIENTO

Servicio Necesario	Diaria-mente	Semana-mente	Mensual-mente	Trimestral-mente
Mida el nivel de aceite	●			
Drene el tanque	●			
Chequee el filtro de aire		●		
Chequee la válvula de seguridad		●		
Limpie los componentes			●	
Chequee la tensión de las bandas			●	
Cámbie el aceite				●

## TORQUE REQUERIDO

Pernos del Compresor	Pernos de los Cojinetes
288 kg cm	7-17 kg cm

## Guía de diagnóstico de averías

Problema	Posible(s) Causa(s)	Acción a tomar
Baja presión de descarga	<ol style="list-style-type: none"> <li>1. La demanda de aire excede la capacidad de la bomba</li> <li>2. Pérdidas de aire</li> <li>3. Entrada de aire restringida</li> <li>4. Juntas defectuosas</li> <li>5. Válvulas dañadas o con pérdidas.</li> </ol>	<ol style="list-style-type: none"> <li>1. Reduzca la demanda de aire o utilice un compresor de mayor capacidad</li> <li>2. Escuche para detectar pérdidas de aire. Aplique una solución jabonosa a todos los accesorios y conexiones. Aparecerán burbujas en los puntos donde existan pérdidas. Ajuste o reemplace los accesorios o conexiones con pérdidas</li> <li>3. Limpie el elemento del filtro de aire</li> <li>4. Reemplace cualquier junta que pruebe estar defectuosa al inspeccionarla</li> <li>5. Quite el cabezal e inspecciónelo para detectar posibles roturas de la válvula, válvulas desalineadas, asientos de válvulas dañados, etc. Reemplace las piezas defectuosas y vuelva a armar</li> </ol>

**▲ PRECAUCION**

*Instale una nueva junta para el cabezal cada vez que éste sea quitado*

# Serie De Hierro Colado

## Guía de diagnóstico de averías (Continuación)

Problema	Posible(s) Causa(s)	Acción a tomar
El sobrecalentamiento de la bomba derrite el filtro	<ol style="list-style-type: none"> <li>1. No está la junta de aislamiento entre el filtro y el cabezal</li> <li>2. Válvulas rotas/juntas defectuosas</li> </ol>	<ol style="list-style-type: none"> <li>1. Instale la junta</li> <li>2. Reemplace las válvulas o instale una junta nueva</li> </ol>
Ruido excesivo (golpeteo)	<ol style="list-style-type: none"> <li>1. Motor o polea del compresor floja</li> <li>2. Falta de aceite en el cárter</li> <li>3. Biela gastada</li> <li>4. Diámetros del eje del émbolo desgastados</li> <li>5. El émbolo pega contra la placa de la válvula</li> <li>6. Válvula de verificación ruidosa en el sistema del compresor</li> </ol>	<ol style="list-style-type: none"> <li>1. Es común que el motor o las poleas del compresor flojas causen golpeteo de los compresores. Ajuste los tornillos de los sujetadores de la polea y los tornillos de montaje</li> <li>2. Controle si el nivel de aceite es el adecuado; si está bajo, verifique la posibilidad de que los cojinetes estén dañados. El aceite sucio puede causar un desgaste excesivo</li> <li>3. Reemplace la biela. Mantenga el nivel de aceite y cambie el aceite con más frecuencia</li> <li>4. Quite los ensamblajes del émbolo del compresor e inspecciónelos para detectar un desgaste excesivo. Reemplace el eje del émbolo(s) si está excesivamente desgastado o según necesario. Mantenga el nivel de aceite y cambie el aceite con más frecuencia</li> <li>5. Quite el cabezal del compresor y la placa de la válvula e inspeccione para detectar depósitos de carbón u otros elementos extraños en la cabeza del émbolo. Vuelva a colocar el cabezal y la placa de la válvula utilizando una junta nueva. Consulte la sección de lubricación para el aceite recomendado</li> <li>6. Reemplácela</li> </ol> <p><b>⚠ PELIGRO</b> <i>No desarme la válvula de verificación con presión de aire en el tanque.</i></p>
<p>Aceite excesivo en el aire de descarga.</p> <p><b>NOTA:</b> En un compresor lubricado con aceite siempre hay una pequeña cantidad de aceite en el flujo de aire.</p>	<ol style="list-style-type: none"> <li>1. Aros del émbolo desgastados</li> <li>2. La entrada de aire del compresor está restringida</li> <li>3. Demasiado aceite en el compresor</li> <li>4. Viscosidad del aceite equivocada</li> </ol>	<ol style="list-style-type: none"> <li>1. Reemplácelos con aros nuevos. Mantenga el nivel de aceite y cambie el aceite con más frecuencia</li> <li>2. Limpie el filtro. Verifique otras restricciones en el sistema de entrada</li> <li>3. Escúrralo hasta que alcance el nivel de lleno</li> <li>4. Use Mobil 1® 10W-30</li> </ol>
Agua en el aire de salida o en el tanque	Operación normal. La cantidad de agua aumenta con el clima húmedo	<ol style="list-style-type: none"> <li>1. Drene el tanque con más frecuencia. Al menos diariamente</li> <li>2. Agregue un filtro</li> </ol>
El motor zumba y funciona lentamente o no funciona en lo absoluto	<ol style="list-style-type: none"> <li>1. Atiliza un cordón de extensión</li> <li>2. Malfuncionamiento de la válvula de verificación o de la válvula de descarga</li> </ol>	<ol style="list-style-type: none"> <li>1. No utilice un cordón de extensión. Utilice una manguera de aire más larga con un diámetro mayor</li> <li>2. Reemplace la válvula de verificación, la válvula de descarga o el interruptor de presión.</li> </ol> <p><b>⚠ PELIGRO</b> <i>No desarme la válvula con presión de aire en el tanque</i></p>

(Continúa en la página siguiente)

# Compresores de Aire Portátiles de Speedaire®

## Guía de diagnóstico de averías (Continuación)

Problema	Posible(s) Causa(s)	Acción a tomar
El motor zumba y funciona lentamente o no funciona en lo absoluto (Continuación)	3. Voltaje bajo  4. Malfuncionamiento del interruptor presión, los contactos no se cierran	3. Verifique con un voltímetro, revise el interruptor de reajuste del motor. Si este se dispara varias veces, busque la causa y corríjala. Consulte el siguiente punto 4. Repare o reemplace el interruptor de presión
El mecanismo de reajuste interrumpe el funcionamiento constantemente o los fusibles se funden con frecuencia	1. Demasiados aparatos en el mismo circuito 2. Tamaño incorrecto del fusible o del disyuntor 3. Malfuncionamiento de la válvula de verificación  4. Interruptor de presión fijado demasiado alto 5. Cableado flojo 6. Malfuncionamiento del motor	1. Use sólo el compresor de aire en el circuito  2. Asegúrese de que los fusibles o los disyuntores sean del tamaño adecuado 3. Reemplace la válvula de verificación <b>⚠ PELIGRO</b> <i>No desarme la válvula con presión de aire en el tanque</i> 4. Ajuste o reemplace el interruptor  5. Verifique todas las conexiones eléctricas 6. Reemplace el motor
El tanque no mantiene la presión cuando el compresor está apagado y la válvula de cierre está cerrada	1. Válvula desgastada  2. Verifique todas las conexiones y los accesorios para detectar fugas 3. Revise el tanque para detectar fisuras o perforaciones	1. Reemplace la válvula <b>⚠ PELIGRO</b> <i>No desarme la válvula con presión de aire en el tanque</i> 2. Apriete  3. Reemplace el tanque. Nunca repare un tanque dañado
El interruptor de presión tira continuamente aire por la válvula de descarga	Malfuncionamiento de la válvula	Reemplace la válvula de verificación si la válvula de descarga tiene pérdidas constantemente <b>⚠ PELIGRO</b> <i>No desarme la válvula con presión de aire en el tanque</i>
El interruptor de presión no libera el aire cuando la unidad de apaga	Malfuncionamiento de la válvula de descarga en el interruptor de presión	Reemplace el interruptor de presión si éste no libera la presión por un breve período de tiempo cuando se apaga la unidad <b>⚠ PELIGRO</b> <i>No desarme el interruptor de presión si hay presión en el tanque</i>
Vibración excesiva	1. Ajustadores flojos 2. La correa necesita ser reemplazada 3. Alineación de la correa	1. Ajústelos 2. Reemplace la correa con otra del tamaño adecuado  3. Alinee el volante y la polea

Veillez lire et conserver ces instructions. Lire attentivement avant de commencer à assembler, installer, faire fonctionner ou entretenir l'appareil décrit. Protégez-vous et les autres en observant toutes les informations sur la sécurité. Négliger d'appliquer ces instructions peut résulter en des blessures corporelles et/ou en des dommages matériels ! Conserver ces instructions pour références ultérieures.

# Speedaire® Compresseurs D'Air Portatifs

Pour garantie et service 1-888-606-5587  
Ne pas retourner à la succursale

## Description

Les compresseurs d'air sont conçus pour fournir l'air comprimé aux outils pneumatiques et pour opérer des pistolets vaporisateurs. Les pompes fournies sont des pompes lubrifiées à l'huile. Un petit surplus d'huile est présent dans le jet d'air comprimé. Installer les filtres appropriés pour les applications qui exigent de l'air libre d'huile ou l'eau. Les compresseurs d'air doivent être fixés sur un plancher ou une fondation solide. N'importe quel autre usage de ces modèles niera la garantie et le fabricant ne sera pas responsable pour les problèmes ou dommages résultant de l'usage inapproprié.

## Directives de Sécurité

Ce manuel contient de l'information très importante qui est fournie pour la SÉCURITÉ et pour ÉVITER LES PROBLÈMES D'ÉQUIPEMENT. Rechercher les symboles suivants pour cette information.

**⚠ DANGER** Danger indique une situation hasardeuse imminente qui RÉSULTERA en perte de vie ou blessures graves.

**⚠ AVERTISSEMENT** Avertissement indique une situation hasardeuse potentielle qui PEUT résulter en perte de vie ou blessures graves.

**⚠ ATTENTION** Attention indique une situation hasardeuse potentielle qui PEUT résulter en blessures.

**AVIS** Avis indique de l'information importante pour éviter le dommage de l'équipement.

**REMARQUE :** L'information qui exige une attention spéciale.

## Déballage

Lors du déballage, l'examiner soigneusement pour rechercher toute trace de dommage susceptible de s'être produit en cours de transport. Serrer tous raccords, boulons, etc., avant d'utiliser le modèle.

**⚠ AVERTISSEMENT** Ne pas utiliser un modèle qui a été endommagé pendant le transport, la manipulation ou l'utilisation. Le dommage peut résulter en explosion et peut causer des blessures ou dégâts matériels.

## Généralités sur la Sécurité PROPOSITION 65 CALIFORNIE

**⚠ AVERTISSEMENT** Ce produit ou son cordon peuvent contenir des produits chimiques qui, de l'avis de l'État de Californie, causent le cancer et des anomalies congénitales ou autres problèmes de reproduction. Lavez-vous les mains après la manipulation.

**⚠ AVERTISSEMENT** Vous pouvez créer de la poussière en coupant, ponçant, perçant ou meulant les matériaux tels que le bois, la peinture, le métal, le béton, le ciment ou autre maçonnerie. Cette poussière contient souvent des produits chimiques reconnus pour causer le cancer, les déformations congénitales ou autres problèmes de la reproduction. Porter de l'équipement de protection.



## ⚠ DANGER

### Avertissement D'Air Respirable

Ce compresseur/pompe N'EST PAS équipé pour et NE DEVRAIT PAS être utilisé "comme soi" pour fournir de l'air respirable. En cas d'applications d'air pour la consommation humaine, le compresseur d'air/pompe doit être équipé avec de l'équipement de sécurité en canalisation et d'alarme. Cet équipement additionnel est nécessaire pour filtrer et purifier l'air afin d'atteindre les spécifications minimales pour la respiration Grade D décrite dans le Compressed Gas Association Commodity Specification G 7.1 - 1966, OSHA 29 CFR 1910. 134, and/or Canadian Standards Associations (CSA).

### DÉNÉGATION DES GARANTIES

SI LE COMPRESSEUR EST UTILISÉ POUR LES APPLICATIONS D'AIR RESPIRABLE ET L'ÉQUIPEMENT DE SÉCURITÉ EN CANALISATION ET D'ALARME N'EST PAS UTILISÉ SIMULTANÉMENT, LES GARANTIES EN EXISTANCE SERONT ANNULÉES, ET DAYTON ELECTRIC MFG. CO. NIE TOUTE RESPONSABILITÉ POUR N'IMPORTE QUELLE PERTE, BLESSURE OU DOMMAGE.

### GÉNÉRALITÉS SUR LA SÉCURITÉ

Puisque le compresseur d'air et les autres pièces détachées (pompe, pistolets, filtres, graisseurs, tuyaux, etc.) font partie d'un système de haute pression, il est nécessaire de suivre les précautions suivantes:

# Speedaire® Compresseurs D'Air Portatifs

## Généralités sur la Sécurité (Suite)

1. Lire attentivement tous manuels compris avec ce produit. Se familiariser avec ce produit, ses commandes et son utilisation.

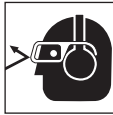


2. Suivre tous les codes de sécurité et d'électricité locaux ainsi que National Electrical Codes (NEC) et Occupational Safety and Health Act (OSHA) des É.-U.

3. Seules les personnes bien familiarisées avec ces règles d'utilisation doivent être autorisées à se servir du compresseur.

4. Garder les visiteurs à l'écart de/et NE JAMAIS permettre les enfants dans l'endroit de travail.

5. Utiliser des lunettes de sécurité et la protection auditive pendant l'utilisation du modèle.



6. Ne pas se tenir debout sur/ou utiliser le modèle comme une prise.

7. Inspecter le système d'air comprimé et pièces détachées électriques pour toute indication de dommage, détérioration, faiblesse ou fuites avant chaque utilisation. Réparer ou remplacer toutes pièces défectueuses avant l'utilisation.

8. Inspecter le degré de serrage de toutes attaches par intervalles régulières.

**AVERTISSEMENT** Les moteurs,



**l'équipement et les commandes électriques peuvent causer des arcs électriques qui peuvent allumer un gaz ou une vapeur inflammable. Ne jamais utiliser ou réparer le modèle près d'un gaz ou d'une vapeur inflammable. Ne jamais entreposer les liquides ou gaz inflammables près du compresseur.**

**AVERTISSEMENT** Ne jamais



**faire fonctionner un compresseur sans carter de**

*courroie. Les compresseurs peuvent se démarrer sans avis. Le contact avec les pièces mobiles peut causer des blessures personnelles ou dégâts matériels.*

9. Ne pas porter des vêtements flottants ou des bijoux qui peuvent se prendre dans les pièces mobiles du modèle.

**ATTENTION** Les pièces



**du compresseur peuvent être chaudes, même si le modèle est hors circuit.**

10. Garder les doigts à l'écart du compresseur; les pièces mobiles et chaudes peuvent causer des blessures et/ou des brûlures.

11. Si l'équipement vibre anormalement, ARRÊTER le moteur et l'inspecter immédiatement. La vibration est généralement une indication d'un problème.

12. Pour réduire le risque d'incendie, garder l'extérieur du moteur libre d'huile, de solvant ou de graisse excessive.

**AVERTISSEMENT** Une soupape de sûreté ASME avec

**une classification qui ne dépasse pas 1034 kPa doit être installée dans le réservoir de ce compresseur. La soupape de sûreté ASME doit avoir un débit d'air et une classification de pression suffisants pour protéger les pièces pressurisées contre l'éclatement.**

**ATTENTION** Voir la décalcomanie de spécifications

**sur le compresseur pour retrouver la pression de service maximum. Ne pas faire fonctionner avec un manostat ou soupapes pilotes réglés au delà de la pression de fonctionnement maximum.**

13. Ne jamais essayer d'ajuster la soupape de sûreté. Garder la soupape de sûreté libre de peinture et autres accumulations.

**DANGER** Ne jamais



**essayer de réparer ou de modifier un réservoir! Le soudage, perçage ou autre modifications peuvent affaiblir le réservoir et peut résulter en dommage de rupture ou d'explosion.**

**Toujours remplacer un réservoir usé, fendu ou endommagé.**

14. L'accumulation d'humidité cause la rouille qui peut affaiblir le réservoir. Purger le réservoir quotidiennement et l'inspecter périodiquement pour la rouille et la corrosion ou autre dommage.

15. L'air mouvante peut agiter la poussière et le débris qui peut être dangereux. Lâcher l'air lentement en purgeant l'humidité ou pendant la dépressurisation du système de compresseur.

## PRÉCAUTIONS DE PULVÉRISATION

**AVERTISSEMENT** Ne pas



**pulvériser les matériaux inflammables dans un endroit de flamme ouverte ni près d'une source d'ignition y compris le compresseur.**

16. Ne pas fumer pendant la pulvérisation de la peinture, d'insecticides ou autres matières inflammables.

17. Utiliser un masque / respirateur pendant la pulvérisation et pulvériser dans un endroit bien ventilé pour éviter le risque de blessures et d'incendie.



18. Ne pas diriger la peinture ou autre matériel pulvérisé vers le compresseur. Situer le compresseur aussi loin que possible de l'endroit de pulvérisation pour réduire l'accumulation de surpulvérisation sur le compresseur.

19. Suivre les instructions du fabricant pendant la pulvérisation ou le nettoyage avec des solvants ou produits chimiques toxiques.

**AVERTISSEMENT**



**Débrancher, étiquetter et verrouiller la source d'alimentation. Dissiper toute la pression du système avant d'installer, procéder à l'entretien, déplacer ou de réparer.**

# Série En Fonte

## Introduction

Se référer à la Figure 1a et Figure 1b pour retrouver les pièces suivantes.

**Manostat** - Interrupteur Auto/Off. Sur quelques modèles, il n'y a pas d'interrupteur manuel. L'interrupteur est dans le mode automatique en permanence. Dans la position AUTO, le compresseur se coupe automatiquement lorsque la pression du réservoir atteint la pression maximum réglée d'avance. Dans la position OFF, le compresseur ne fonctionnera pas. Cet interrupteur devrait être dans la position OFF lorsque vous branchez ou débranchez le cordon d'alimentation de la prise ou lorsque vous changez d'outils pneumatiques.

Lorsque l'interrupteur de pression éteint le moteur vous entendrez de l'air sortir de la soupape de décharge du manostat pendant un certain temps. Ceci dégage de la pression d'air du tuyau de décharge et permet au compresseur de se remettre en marche plus facilement.

**Régulateur** - Le régulateur contrôle la quantité de pression d'air dans le tuyau. Le tuyau d'air est branché à la sortie du régulateur.

**Soupape de Sûreté ASME** - Cette soupape relâche l'air automatiquement si la pression du réservoir dépasse le maximum réglé d'avance.

**Tuyau de Décharge** - Ce tuyau porte l'air comprimé de la pompe au clapet. Ce tuyau devient très chaud pendant l'usage

**⚠ AVERTISSEMENT** *Pour éviter le risque de brûlures sévères, ne jamais toucher le tuyau de décharge.*

**Clapet** - Une soupape à sens unique qui permet à l'air d'entrer le réservoir mais empêche que l'air du réservoir retourne dans la pompe du compresseur.

**Manche** - Conçue pour le déplacement du compresseur.

**⚠ AVERTISSEMENT** *Ne jamais utiliser la manche pour soulever le modèle du plancher.*

**Carter de Courroie** - Recouvre la courroie, la poulie du moteur et le volant.

**⚠ AVERTISSEMENT** *Ne jamais faire fonctionner un compresseur sans carter de courroie. Le modèle peut se démarrer sans avis. Le contact avec les pièces mouvantes peut causer les blessures ou le dommage.*



**Robinet de vidange du réservoir** - Cette soupape est située au fond du réservoir. Utiliser cette soupape pour purger l'humidité du réservoir quotidiennement afin de diminuer le risque de corrosion.

Réduire la pression du réservoir sous 69 kPa, ensuite purger l'humidité du réservoir quotidiennement pour empêcher la corrosion du réservoir. Vidangez l'humidité des réservoirs en ouvrant la soupape de vidange qui se trouve sous le réservoir.

**Manomètre de Réservoir** - Indique la pression d'air présente dans le réservoir.

**Manomètre de Tuyau d'Air** - Indique la quantité de pression d'air dans le tuyau utilisé pour actionner les outils. Cette pression est augmentée ou diminuée avec le régulateur.

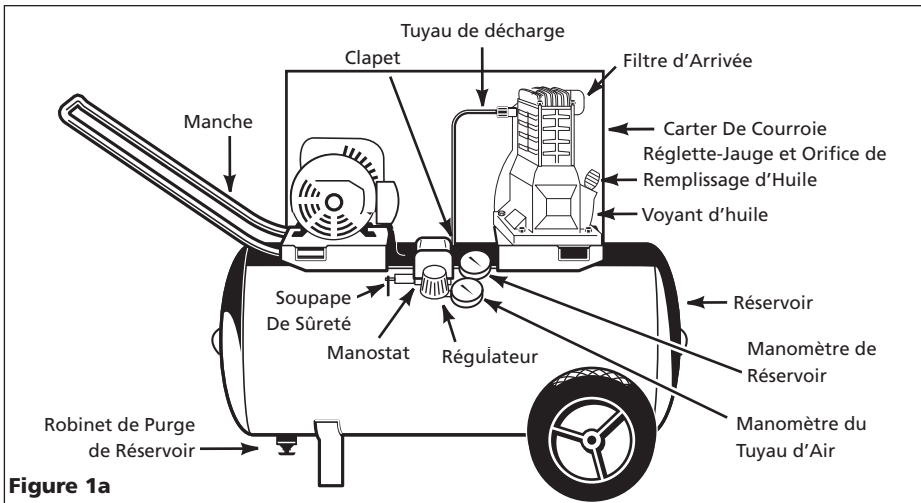


Figure 1a

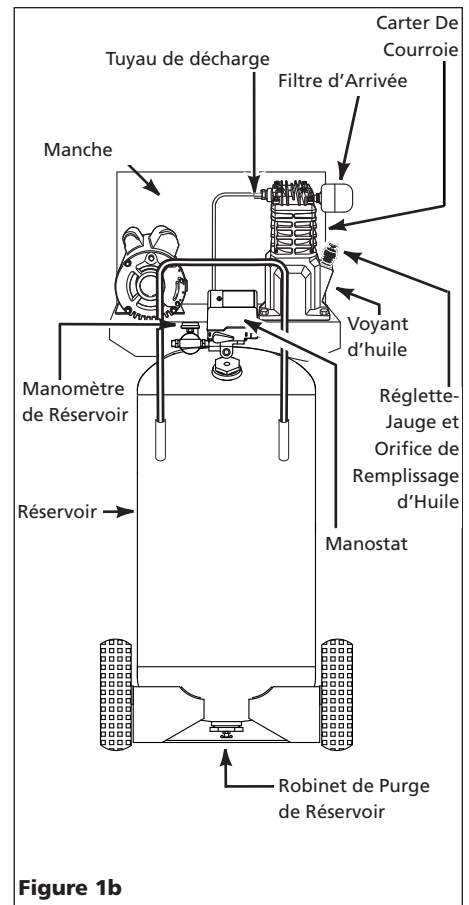


Figure 1b

FRANÇAIS

# Speedaire® Compresseurs D'Air Portatifs

## Montage

### RÉGULATEUR

1. Retire el(los) tapón(es) de la bolsa plástica. Appliquer le ruban d'étanchéité aux filets.
2. L'assemblage est conçu pour être fixé seulement à la sortie du collecteur (voir la figure 1) en insérant le mamelon du tuyau (voir la figure 2) et en tournant l'assemblage dans le sens horaire. Resserrez jusqu'à ce que ce soit bien ajusté ou à 75 po-lb. La jauge devrait être orientée de la même façon que celle déjà dans le compresseur (voir la figure 1). Fixer le boyau et le mandrin de pneu. Vérifier les fuites avec une solution d'eau savonneuse.

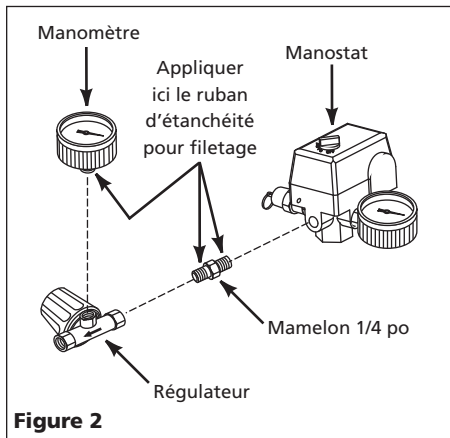


Figure 2

### MODÈLES AVEC RÉSERVOIRS HORIZONTAUX SEULEMENT

#### MANCHE

1. Enlever la vis du manche de la plaque de base du réservoir si installé d'avance.
2. Introduire le manche dans les deux bords de la plaque de base du réservoir. Serrer le manche afin qu'il s'ajuste dans les ouvertures spéciales dans la plaque de base (Voir Figure 3).

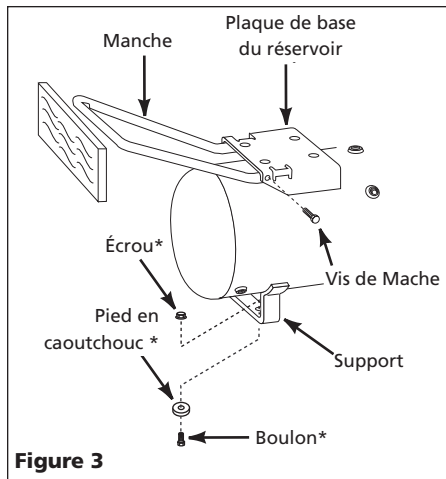


Figure 3

3. Placer un petit morceau de bois contre le bout du manche, frapper avec un maillet ou un marteau afin d'aligner le trou dans le manche avec le trou dans la plaque de base.
4. Introduire et serrer la vis de manche dans le trou de la plaque de base et à travers le manche. S'assurer que la vis passe à travers le manche.

#### MONTAGE DE ROUES

Les articles indiqués d'un astérisque (\*) dans la Figure 4 sont livrés dégagés, avec le modèle. Monter selon les instructions suivantes:

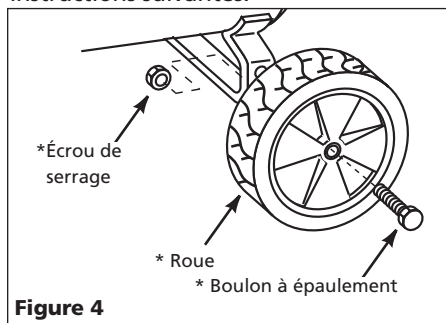


Figure 4

1. Introduire le boulon à épaulement à travers le moyeu de roue avec la tête du boulon au sens opposé de la section de moyeu en saillie.
2. Pour les roues de diamètre 20,32 cm, introduire le boulon d'épaulement dans le trou le plus bas dans l'arbre de roue du réservoir et bien le fixer avec un écrou de serrage.

3. Pour les roues de diamètre 25,40 cm, introduire le boulon d'épaulement dans le trou le plus haut de l'arbre de roue du réservoir et bien le fixer avec l'écrou de serrage. Répéter cette étape pour le sens opposé.

Une fois monté, le réservoir doit être situé au niveau ou incliné un peu vers le robinet de purge du réservoir afin que le réservoir se purge correctement.

### MODÈLES AVEC RÉSERVOIRS VERTICAUX SEULEMENT

#### MONTAGE DE MANCHE

Introduire le manche à travers les trous dans la base (Voir Figure 5).

#### MONTAGE DE PIED

Les articles indiqués d'un astérisque (\*) sont livrés dégagés, avec le modèle (Voir Figure 6).

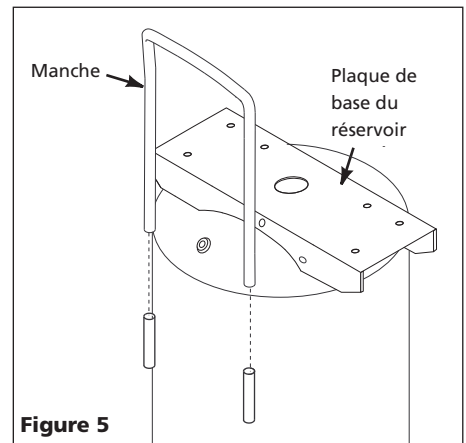


Figure 5

1. Incliner le modèle afin de permettre l'accès au pied avant et le stabiliser avec sûreté afin d'assurer que le modèle ne bascule pas.
2. Introduire le boulon à travers le pied et le support. Le pied devrait être situé sur le côté plus bas du support.
3. Fixer avec sûreté avec l'écrou de blocage. Répéter au sens opposé.



# Série En Fonte

## Montage (Suite)

### MONTAGE DE ROUES

Les articles indiqués d'un astérisque (\*) sont livrés dégagés, avec le modèle (Voir Figure 6).

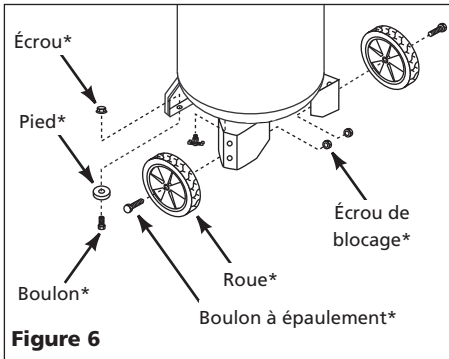


Figure 6

1. Introduire le boulon à épaulement à travers le moyeu de roue avec la tête du boulon au sens opposé de la section de moyeu en saillie.
2. Avancer le boulon d'épaulement à travers le trou sur le fer d'arbre de roue du réservoir et bien le fixer avec l'écrou de blocage. Répéter au sens opposé.

### RALLONGE DE VIDANGE D'HUILE

Quelques modèles sont compris d'un rallonge de vidange d'huile et d'un capuchon (Situé avec le manuel de l'utilisateur). Monter le rallonge de vidange d'huile et le capuchon **avant d'ajouter de l'huile à la pompe.**

Pour éviter des fuites d'huile, il est hautement recommandé d'appliquer le ruban d'étanchéité de filetage de PTFE, ou le mastic d'étanchéité, aux filets sur chaque extrémité de l'extension de drainage de l'huile. Visser le capuchon à un bout du rallonge. Enlever le bouchon de vidange d'huile de la pompe et poser le rallonge de vidange d'huile (Voir Figure 7).

**REMARQUE:** Si votre modèle est équipé d'un regard d'huile, ajoutez l'huile jusqu'à la ligne de remplissage (Voir Figure 7).

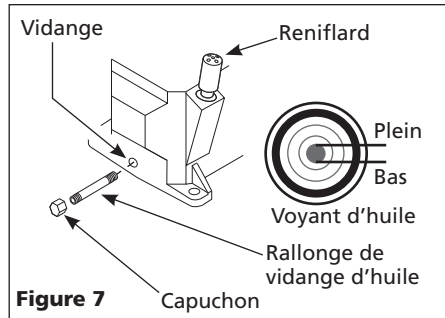


Figure 7

### INSTALLATION DU RENIFLARD

Retirer le bouchon de l'orifice de remplissage d'huile. Installer le reniflard (qui se trouve dans le sachet de pièces avec ce manuel). Voir la figure 8.

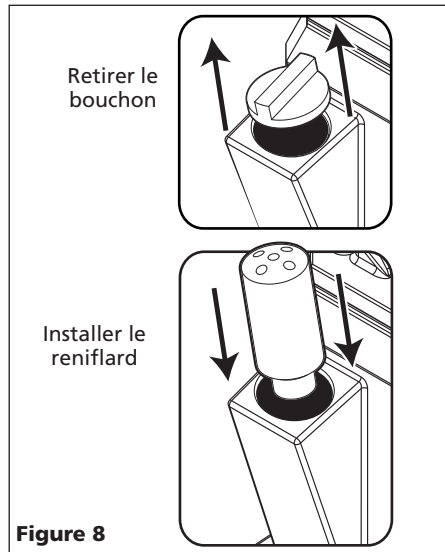


Figure 8

### GRAISSAGE

**ATTENTION** **CE MODÈLE NE CONTIENT PAS D'HUILE!** Suivre les directives de graissage avant de faire fonctionner le compresseur.

L'huile synthétique s'avère supérieure pour la lubrification et est recommandée pour les compresseurs d'air Speedaire by Dayton. Utiliser de l'huile 100 % synthétique 10W30 telle que Mobil 1 (No de stock 4F743). L'huile de compresseur à simple viscosité, ISO100 (SAE 30) sans détergent telle que Mobil

Rarus® (No de stock 4ZF21), peut aussi être utilisée. Les deux sont disponibles auprès de votre succursale locale Grainger.

Modèle	Capacité d'huile (Approx.)
1NNF4, 1NNF6, 1NNF7, 2MLW2	0,25 L

**AVIS** *N'utilisez pas d'huile automobile à base de pétrole qui a été prouvée comme augmentant les dépôts de carbone sur les soupapes ce qui cause des réparations plus fréquentes et réduit la durée de vie utile de l'appareil.*

### INSTALLATION DE FILS

Les codes d'installation de fils électriques varient selon la région. L'installation de fils à la source, fiche et fusible disjoncteur doivent correspondre au moins à l'ampérage et à la tension indiqués sur la plaque indicatrice du moteur et doivent satisfaire tous codes électriques pour ce minimum. Utiliser une fusée à retardement sauté de type T ou un disjoncteur.

**ATTENTION** *L'installation de fils insuffisante peut causer le surchauffage, court-circuit et dommage d'incendie.*



**REMARQUE:** Les modèles de 120 volts, 15 A peuvent fonctionner sur un circuit de 120 volts 15 A sous les conditions suivantes:

1. Aucun autre appareil électrique ou lumière soit connecté au même branchement.
2. L'alimentation en tension est normale.
3. Le circuit est équipé d'un disjoncteur de 15 A ou une fusée à retardement sauté en T (Pour le Canada utiliser Type D).

FRANÇAIS

# Speedaire® Compresseurs D'Air Portatifs

## Montage (Suite)

S'il n'est pas possible d'atteindre les conditions ci-dessus ou si le déclenchement de l'appareil protecteur de courant est fréquent, il peut être nécessaire d'opérer le compresseur sur un circuit de 120 volts 20 A. Quelques modèles peuvent se transformer à un fonctionnement de 240 volts, se référer à la section MOTEUR À TENSION DOUBLE.

### INSTRUCTIONS DE MISE À LA TERRE

1. Ce produit doit être mis à la terre. Lors d'un court-circuit, la mise à la terre diminue le risque de secousse électrique en fournissant un fil d'échappement pour le courant électrique. Le modèle est équipé d'un cordon avec une broche de terre qui correspond aux types de prises de courant indiquées sur la Figure 9. Si la fiche ne correspond pas dans la prise de courant désirée, la faire remplacer par un électricien qualifié terre correctement en respectant tous les codes et règlements locaux.

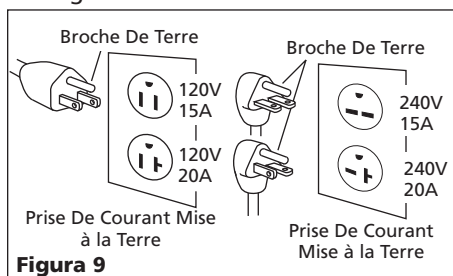


Figure 9

**⚠ DANGER** L'usage incorrect d'une fiche mise à la terre peut résulter en risque de secousse électrique.



**REMARQUE:** Ne pas utiliser un adaptateur de mise à la terre.

2. Si la réparation ou le remplacement du cordon ou de la fiche est nécessaire, ne pas connecter le fil de terre à ni une ni l'autre borne plate. Le fil avec l'isolation et une surface extérieure verte (avec ou sans rayures jaunes) est le fil de terre.

3. Si vous ne comprenez pas les instructions pour la mise à la terre ou si vous n'êtes pas certains si le produit est mis à la terre avec sûreté, vérifiez avec un électricien ou une personne qualifiée. Ne pas modifier la fiche fournie; si la fiche n'est pas la bonne taille pour la prise de courant, faire installer une nouvelle prise de courant par un électricien qualifié.

### FICHES ET PRISES DE COURANT

1. Si la fiche sur le cordon d'alimentation du modèle vous paraît étrange ou si la fiche ne correspond pas à votre prise de courant, se référer à la Figure 9 pour une explication des différentes fiches et des tensions que vous pouvez utiliser avec ces fiches.
2. S'assurer que le produit soit branché dans une prise de courant de même configuration que la fiche.
3. Les prises doivent être connectées aux circuits classifiés à porter au moins la tension et l'ampérage indiqués.
4. NE JAMAIS faire remplacer la prise de courant avec une autre qui a un ampérage plus élevé avant de s'informer si le changement respecte tous les codes électriques de votre quartier. L'installation doit être effectuée par un électricien qualifié. Si les produits doivent être rebranchés sur d'autres circuits, ce raccordement doit être effectué par une personne qualifiée.

### MOTEURS À TENSION DOUBLE (QUELQUES MODÈLES)

Se référer à la décalcomanie sur le moteur afin de changer de tension basse à tension haute.

**⚠ AVERTISSEMENT** Tout installation de fils doit être effectué par un électricien qualifié.

Changement des branchements pour la tension alternative:

1. Débrancher le cordon de la source d'alimentation
2. Enlever le couvercle de borne du moteur.
3. Rechercher le schéma de connexion sur le dos du couvercle ou sur la plaque indicatrice du moteur et brancher à nouveau afin d'atteindre la tension désirée telle qu'indiquée sur le schéma.

**⚠ AVERTISSEMENT** Si vous ne comprenez pas le schéma d'installation de fils, il est nécessaire de rechercher un électricien certifié qui comprend les schémas d'installation de fils.

4. Changer la fiche afin de correspondre aux exigences de tension et de courant.

**⚠ AVERTISSEMENT** Pendant la transformation à une tension alternative, s'assurer que le fil de mise à la terre vert du cordon soit branché à la broche de terre de la fiche et au corps métallique du manostat.

## Fonctionnement

### DÉMARRAGE

**AVIS** Cette pompe pour compresseur doit être remplie d'huile avant le démarrage. Se référer à la section de Graissage.

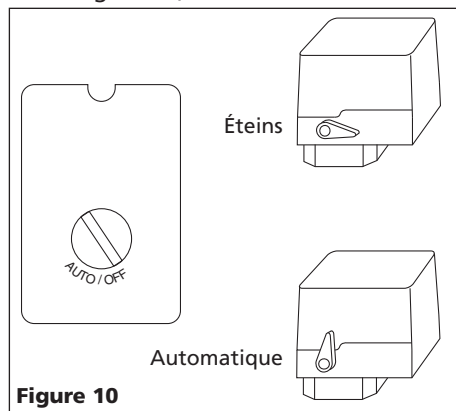
**⚠ ATTENTION** Ne pas brancher les outils pneumatiques au bout ouvert du tuyau avant que le démarrage soit complet et que le modèle fonctionne correctement.

1. Enlever la réglette-jauge du reniflard et remplir la pompe au niveau correct. Voir la section de Graissage.
2. Tourner le bouton du régulateur au sens des aiguilles d'une montre afin d'ouvrir la circulation d'air.
3. Tournez le levier ou le bouton du manostat à la position OFF (ARRÊT) et branchez le cordon d'alimentation.

# Série En Fonte

## Fonctionnement (Suite)

4. Tournez le levier ou le bouton du manostat à la position AUTO et faites fonctionner l'appareil pendant 30 minutes pour roder les pièces de la pompe (reportez-vous à la Figure 10).



5. Tourner le bouton du régulateur complètement au sens contraire des aiguilles d'une montre. Le compresseur fonctionnera jusqu'à la pression maximale réglée d'avance et s'arrêtera.
6. Tourner le bouton du régulateur au sens des aiguilles d'une montre pour purger l'air. Le compresseur se remettra en marche à la pression réglée d'avance.
7. Tourner le levier ou bouton du manostat à la position OFF et débrancher le cordon d'alimentation. Tourner le bouton du régulateur lentement dans le sens des aiguilles d'une montre afin de dissiper toute la pression d'air. Ne pas procéder à l'étape suivante jusqu'à ce que la pression du réservoir est à zéro (0).
8. Brancher le tuyau, et ensuite fixer un mandrin ou un autre outil au bout ouvert du tuyau. Brancher le cordon d'alimentation. Tourner le levier du manostat à la position AUTO. Une fois que le modèle soit pressurisé, tourner le bouton du

régulateur dans le sens des aiguilles d'une montre afin d'atteindre la pression de sortie désirée.

9. Après avoir utilisé l'appareil, tournez le levier ou le bouton du manostat à la position OFF (arrêt).
10. Si le compresseur sera hors usage pendant longtemps, purger l'air des canalisations et purger l'humidité du réservoir avec le robinet de purge. Ensuite suivre l'horaire d'entretien.

**REMARQUE:** Les modèles électriques sont équipé d'un manostat qui coupe le moteur (OFF) automatiquement quand la pression du réservoir atteint un niveau réglé d'avance. Une fois que l'air soit utilisé dans le réservoir et que la pression du réservoir atteint un niveau bas réglé d'avance, le manostat met le moteur en marche automatiquement.

## Entretien

### ⚠ AVERTISSEMENT

**Débrancher, étiquetter et verrouiller la source d'alimentation, et ensuite dissiper toute la pression du système avant d'essayer d'installer, déplacer ou de procéder au service ou à l'entretien.**



Toutes réparations doivent être effectuées par un représentant de service autorisé.

### POUR UN FONCTIONNEMENT EFFICACE:

Faire l'essai de la soupape de sûreté chaque semaine selon la méthode suivante et suivre l'horaire d'entretien ci-dessous.

1. Tirer l'anneau sur la soupape de sûreté et la laisser revenir à sa position normale (Voir Figure 11). Cette soupape laisse échapper l'air automatiquement si la pression dans le réservoir dépasse le maximum réglé d'avance.

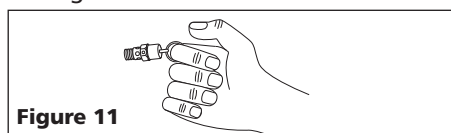


Figure 11

**⚠ ATTENTION** Une large quantité d'air sera relâchée rapidement si la soupape de sûreté est actionnée avec de la pression d'air présente dans le réservoir.

**⚠ DANGER** Ne jamais trifouiller avec cette soupape. L'inspecter de temps en temps.

Remplacer la soupape de sûreté s'il y a une fuite d'air une fois que la soupape soit lâchée ou si la soupape est grippée et ne fonctionne pas.

2. Avec le moteur hors circuit (OFF) et débranché, nettoyer le débris du moteur, volant, réservoir, canalisations d'air et des ailettes de refroidissement de la pompe.

### COURROIE D'ENTRAÎNEMENT

Les courroies s'étirent pendant l'usage normal. Bien ajusté, une pression de 2,26 kg appliquée à la courroie entre la poulie du moteur et la pompe peut dériver approx. 12,7 mm (Voir Figure 12).

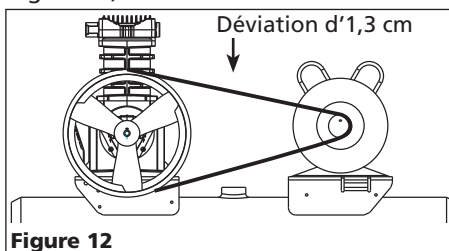


Figure 12

### AJUSTEMENT DE LA COURROIE D'ENTRAÎNEMENT:

1. Enlever le carter de courroie.
2. Desserrer les quatre attaches qui tiennent le moteur à la plaque de base.
3. Déplacer le moteur dans la bonne direction. La courroie doit être bien alignée lors de l'ajustement.
4. Ajuster le volant ou la poulie du moteur afin que la courroie fonctionne de manière droite.
5. Si nécessaire, utiliser un arrache-roie pour déplacer la poulie sur l'arbre du moteur. Serrer la vis de pression une fois que la poulie soit en position.
6. Fixer le carter de courroie.

FRANÇAIS

# Speedaire® Compresseurs D'Air Portatifs

## Entretien (Suite)

### ENTREPOSAGE

1. Le tuyau et le compresseur doivent être entreposés dans un endroit frais et sec si hors usage.
2. Les réservoirs devraient être purgés d'humidité et le tuyau débranché et suspendu avec les bouts ouverts face en bas afin de permettre que l'humidité s'écoule du tuyau.
3. Protéger le cordon d'alimentation en le roulant, sans serrer, autour de la manche du modèle ou en le bobinant.

### HUMIDITÉ DANS L'AIR COMPRIMÉ

L'humidité dans l'air comprimé forme des gouttelettes en arrivant de la pompe du compresseur. Si l'humidité est élevée, ou si le compresseur est utilisé continuellement, cette humidité s'accumulera dans le réservoir. Pendant l'utilisation d'un pistolet à peinture ou d'un pistolet pour le décapage au sable, cette eau sera transportée du réservoir par moyen du tuyau, et en forme de gouttelettes, mélangées avec le matériel utilisé.

**IMPORTANT:** Cette condensation peut causer des taches d'eau sur votre travail de peinture, surtout pendant la pulvérisation de peinture à l'huile. Pendant le décapage au sable, cette eau servira à tenir le sable ensemble et causera une obstruction dans le pistolet.

Un filtre ou une sécheuse dans la ligne d'air situé aussi près du pistolet que possible peut aider à éliminer cette humidité.

### HORAIRE D'ENTRETIEN

Fonctionnement	Quotidiennement	Semaine	Mensuellement	3 Mois
Vérifier le niveau d'huile	●			
Purger le réservoir	●			
Vérifier le filtre d'air		●		
Vérifier la soupape de sûreté		●		
Souffler la saleté du moteur			●	
Vérifier le serrage de la courroie			●	
Changer l'huile				●

### EXIGENCE DE COUPLE

Boulon de tête de Compresseur	Boulon de chapeau de palier
288 kg cm	7-17 kg cm

# Série En Fonte

## Guide De Dépannage

Symptôme	Cause(s) Possible(s)	Mesures Correctives
Pression de décharge basse	<ol style="list-style-type: none"> <li>1. Demande d'air dépasse la capacité de la pompe</li> <li>2. Fuites d'air</li> <li>3. Arrivée d'air limitée</li> <li>4. Joints éclatés</li> <li>5. Fuites ou dommage aux soupapes</li> </ol>	<ol style="list-style-type: none"> <li>1. SDiminuer la demande d'air ou utiliser un compresseur de plus haute capacité</li> <li>2. Écouter pour des fuites d'air. Appliquer une solution savonneuse à tous les raccords et branchements et vérifier pour des bulles qui indiquent des fuites. Serrer ou remplacer les raccords ou branchements qui ont des fuites</li> <li>3. Nettoyer la cartouche filtrante</li> <li>4. Remplacer tous joints défectueux</li> <li>5. Enlever la culasse et inspecter pour des soupapes cassées, soupapes mal dressées, sièges de soupapes endommagés, etc. Remplacer toutes les pièces défectueuses et remonter</li> </ol> <p><b>⚠ ATTENTION</b> <i>Installer un nouveau joint d'étanchéité de culasse chaque fois que la culasse est enlevée</i></p>
Le filtre à air fond à cause du surchauffage de la pompe	<ol style="list-style-type: none"> <li>1. Joint isolant entre le filtre et la culasse manquant</li> <li>2. Soupape cassée/joint éclaté</li> </ol>	<ol style="list-style-type: none"> <li>1. S'installer un joint d'étanchéité</li> <li>2. Remplacer les soupapes ou installer un nouveau joint d'étanchéité</li> </ol>
Bruit excessif (cognement)	<ol style="list-style-type: none"> <li>1. Moteur ou poulie de compresseur délogé</li> <li>2. Manque d'huile dans le carter</li> <li>3. Bielle usée</li> <li>4. Alésages d'axe de piston usés</li> <li>5. Piston frappe la plaque de soupape</li> <li>6. Clapet bruyant dans le système de compresseur</li> </ol>	<ol style="list-style-type: none"> <li>1. Poulies de moteur et de compresseur délogés sont causes communes de cognement. Serrer les boulons de serrage et vis de pression de poulie</li> <li>2. Vérifier le niveau d'huile; si bas, inspecter les paliers pour du dommage. L'huile sale peut causer du dommage</li> <li>3. Remplacer la bielle. Entretenir le niveau d'huile et changer l'huile plus souvent</li> <li>4. Enlever le piston équipé du compresseur et l'inspecter pour l'usure excessif. Remplacer les axes de piston ou pistons usés au besoin. Entretenir le niveau d'huile correct et changer l'huile plus souvent</li> <li>5. Enlever la tête du compresseur et la plaque de soupape et inspecter pour de l'encrassement carbonneux ou autre matières étrangères sur la partie supérieure du piston. Remplacer la culasse et la plaque de soupape et utiliser un nouveau joint d'étanchéité. Voir la section de Graissage pour l'huile recommandée</li> <li>6. Remplacer</li> </ol> <p><b>⚠ DANGER</b> <i>Ne pas démonter le clapet si le réservoir est pressurisé</i></p>
Large quantité d'huile dans l'air de décharge <b>REMARQUE:</b> Il y aura toujours un peu d'huile dans le jet d'air avec un compresseur graissé par l'huile.	<ol style="list-style-type: none"> <li>1. Segments de piston usés</li> <li>2. Arrivée d'air du compresseur limité</li> <li>3. Huile excessive dans le compresseur</li> <li>4. Viscosité d'huile incorrecte</li> </ol>	<ol style="list-style-type: none"> <li>1. Remplacer les segments de piston. Entretenir le niveau d'huile correct et changer l'huile plus souvent</li> <li>2. Nettoyer le filtre. Vérifier le système d'arrivée pour autres restrictions</li> <li>3. Vidanger jusqu'au niveau plein</li> <li>4. Utiliser l'huile Mobil 1® 10W-30</li> </ol>
Eau dans l'air de débit/réservoir	Fonctionnement normal. La quantité d'eau augmentera si le temps est humide	<ol style="list-style-type: none"> <li>1. Purger le réservoir plus souvent, au moins quotidiennement.</li> <li>2. Ajouter un filtre pour diminuer la quantité d'eau dans la canalisation d'air</li> </ol>

# Speedaire® Compresseurs D'Air Portatifs

## Guide De Dépannage (Suite)

Symptôme	Cause(s) Possible(s)	Mesures Correctives
Le moteur ronronne et fonctionne lentement ou pas du tout	<ol style="list-style-type: none"> <li>1. Cordon prolongateur utilisé</li> <li>2. Fonctionnement défectueux du clapet ou de la soupape de déchargement</li> <li>3. Basse tension</li> <li>4. Panne de manostat - contacts ne ferment pas</li> </ol>	<ol style="list-style-type: none"> <li>1. N'utilisez pas un cordon prolongateur. Utilisez un tuyau d'air plus long avec un diamètre plus large</li> <li>2. Remplacer le clapet, la soupape de déchargement ou le manostat</li> </ol> <p><b>⚠ DANGER</b> <i>Ne pas démonter le clapet si le réservoir est pressurisé</i></p> <ol style="list-style-type: none"> <li>3. Vérifier avec un voltmètre, inspecter le disjoncteur de réenclenchement du moteur. Si le disjoncteur de réenclenchement se déclenche à maintes reprises, rechercher et corriger la cause. Voir l'article suivant</li> <li>4. Réparer ou remplacer le manostat</li> </ol>
Le mécanisme de réenclenchement se déclenche à maintes reprises ou les fusibles sautent à maintes reprises	<ol style="list-style-type: none"> <li>1. Trop d'appareils sur le même circuit</li> <li>2. Taille de fusible ou de disjoncteur incorrecte</li> <li>3. Fonctionnement défectueux du clapet</li> <li>4. Manostat réglé trop haut</li> <li>5. Fils desserrés</li> <li>6. Fonctionnement défectueux du moteur</li> </ol>	<ol style="list-style-type: none"> <li>1. Limiter l'usage du circuit au compresseur d'air seulement</li> <li>2. Vérifier la classification des fusibles et des disjoncteurs</li> <li>3. Remplacer la clapet</li> </ol> <p><b>⚠ DANGER</b> <i>Ne pas démonter le clapet si le réservoir est pressurisé</i></p> <ol style="list-style-type: none"> <li>4. Régler ou remplacer</li> <li>5. Inspecter tous les branchements électriques</li> <li>6. Remplacer le moteur</li> </ol>
Le réservoir ne conserve pas la pression quand le compresseur est hors circuit et la soupape d'arrêt est fermée	<ol style="list-style-type: none"> <li>1. Clapet usé</li> <li>2. Inspecter tous branchements et raccords pour des fuites</li> <li>3. Inspecter le réservoir pour des fentes ou des trous d'épingles</li> </ol>	<ol style="list-style-type: none"> <li>1. Remplacer le clapet</li> </ol> <p><b>⚠ DANGER</b> <i>Ne pas démonter le clapet si le réservoir est pressurisé</i></p> <ol style="list-style-type: none"> <li>2. Serrer</li> <li>3. Remplacer le réservoir. Ne jamais réparer un réservoir endommagé</li> </ol>
Le manostat laisse souffler de l'air continuellement à travers de la soupape de déchargement	Fonctionnement défectueux du clapet	<p>Remplacer le clapet si la soupape de déchargement a une fuite d'air continue</p> <p><b>⚠ DANGER</b> <i>Ne pas démonter le clapet si le réservoir est pressurisé</i></p>
Le manostat ne relâche pas l'air lorsque le modèle se coupe (off)	Fonctionnement défectueux de la soupape de déchargement sur le manostat	<p>Remplacer le manostat si la pression n'est pas dissipée pendant une courte durée de temps quand le modèle se coupe</p> <p><b>⚠ DANGER</b> <i>Ne pas démonter le clapet si le réservoir est pressurisé</i></p>
Vibration excessive	<ol style="list-style-type: none"> <li>1. Attaches desserrés</li> <li>2. Changement de la courroie exigé</li> <li>3. Redressage de la courroie</li> </ol>	<ol style="list-style-type: none"> <li>1. Serrer</li> <li>2. Remplacer avec une courroie de taille correcte</li> <li>3. Aligner le volant et la poulie</li> </ol>

# **Notes / Notas / Notes**

---

---

---

---

---

---

---

---

---

---

---

---

---

---

---

---

---

---

---

---

---

---

---

---

---

---

---

---

---

---

**E  
N  
G  
L  
I  
S  
H**

**E  
S  
P  
A  
Ñ  
O  
L**

**F  
R  
A  
N  
Ç  
A  
I  
S**

## Service Record / Registro de Servicios / Enregistrement d'entretien

<b>Date Fecha Date</b>	<b>Maintenance performed Mantenimiento efectuado Entretien exécuté</b>	<b>Repair components required Componentes de reparación necesarios Éléments de remplacement requis</b>

E  
N  
G  
L  
I  
S  
H

E  
S  
P  
A  
Ñ  
O  
L

F  
R  
A  
N  
Ç  
A  
I  
S