



# 3/8 inch Stapler

Operating Instructions and Parts Manual

**CHN71600**



FRANÇAISE: Page 17  
ESPAÑOL: Página 33

IN729800AV 3/10  
© 2010 Campbell Hausfeld/Scott Fetzer

## Table of Contents

---

Description . . . . .	3	Loading / Unloading The Stapler . . .	10
Specifications . . . . .	3	Loading the Stapler . . . . .	10
Safety Guidelines . . . . .	4	Unloading the Stapler . . . . .	10
Safety Symbols . . . . .	4	Operation . . . . .	10
Important Safety Information . . . . .	4	Operational Mode . . . . .	10
Instructions Pertaining to a Risk of Fire, Electric Shock, or Injury to Persons. . . . .	4	Trigger Only Mode (with Trigger Lock) . . . . .	10
California Proposition 65 . . . . .	4	Storage . . . . .	11
General . . . . .	4	Maintenance . . . . .	11
Work Area . . . . .	4	Clearing a Jam from the Stapler . . . . .	11
Personal Safety . . . . .	5	Stapler Repair . . . . .	11
Electrical Safety . . . . .	5	Replacement Parts . . . . .	11
Tool Use and Care . . . . .	5	Assembly Procedure for Seals . . . . .	11
Service . . . . .	6	Technical Service . . . . .	11
Air Source . . . . .	6	Fastener Interchange Information . . . . .	11
Unpacking . . . . .	6	Troubleshooting Guide . . . . .	13
Contents . . . . .	6	Replacement Parts List for Brad Stapler . . . . .	14 - 15
Additional Items Not Included . . . . .	6	Warranty . . . . .	16
Assembly . . . . .	6		
Glossary . . . . .	7		
Getting To Know Your Upholstery Stapler Like A Pro . . . . .	8		
Features . . . . .	8		
Adjustable Exhaust Deflector . . . . .	8		
Set-Up . . . . .	9		
Lubrication . . . . .	9		
Minimum Components Required for Hook-up . . . . .	9		
Hook-up Instructions For Stapler to Air Supply . . . . .	9		
Air Hose Requirements . . . . .	9		

---

### For parts, product and service information

**Visit:** [www.chpower.com](http://www.chpower.com)

**Call :** Customer Service at 1-800-543-6400

**Address any correspondence to:** Campbell Hausfeld  
Attn: Customer Service  
100 Production Drive  
Harrison, OH 45030 U.S.A.



# 3/8 inch Stapler



## Description

This stapler is designed for upholstery, decorative trim, and picture frame assembly. Features include: convenient bottom loading magazine which holds up to 150 staples, oil free, in-line magazine, rubber comfort grip, swivel plug, trigger lock, and adjustable exhaust.

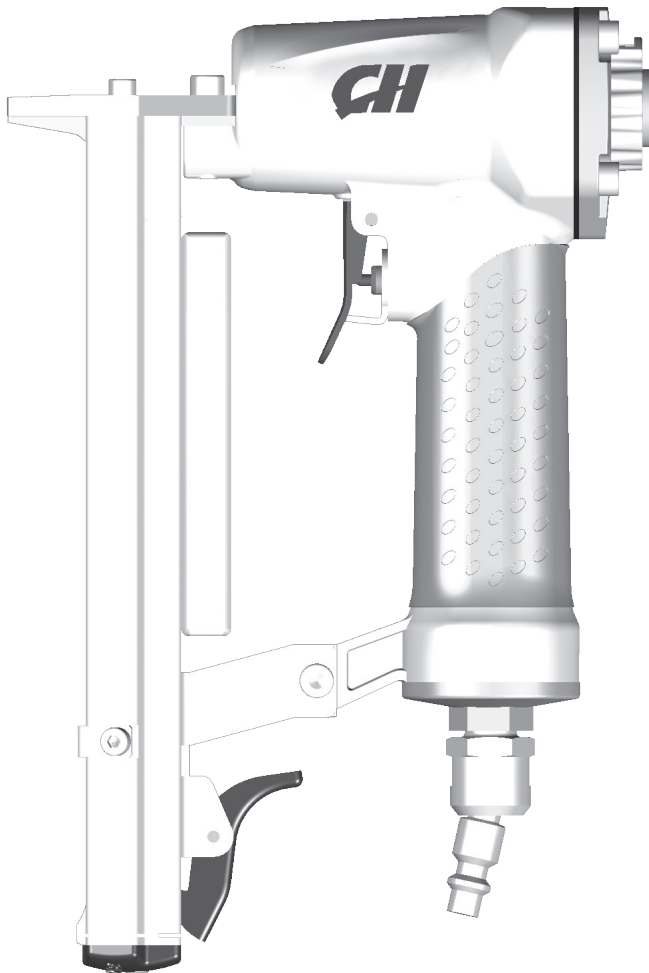


Figure 1 - CHN71600 Stapler

## Specifications

**Model CHN71600**

**Requires:** 0.2 Avg SCFM using 10 fasteners per minute at 90 psi

**Air Inlet:** 1/4 inch NPT

**Fastener Size Range:**

1/4 inch to 9/16 inch Arrow® T50® staples (See fastener interchange section on page 11 for more information)

**Magazine Capacity:** 150 fasteners per load

**Weight:** 2 lbs.

**Length:** 9-1/4 inches

**Height:** 6 inches

**Maximum Pressure:** 100 psi

**Pressure Range:** 60 psi to 100 psi

Locate model number and date code on magazine and / or tool body. Record below:

Model #: \_\_\_\_\_

Date Code: \_\_\_\_\_

Retain these numbers for future reference.

### Safety Guidelines

This manual contains information that is very important to know and understand. This information is provided for SAFETY and to PREVENT EQUIPMENT PROBLEMS. To help recognize this information, observe the following symbols.

**⚠ DANGER** *Danger indicates an imminently hazardous situation which, if not avoided, WILL result in death or serious injury.*

**⚠ WARNING** *Warning indicates a potentially hazardous situation which, if not avoided, COULD result in death or serious injury.*

**⚠ CAUTION** *Caution indicates a potentially hazardous situation which, if not avoided, MAY result in minor or moderate injury.*

**NOTICE** *Notice indicates important information, that if not followed, may cause damage to equipment.*

**NOTE:** Information that requires special attention.

### Safety Symbols

The following Safety Symbols appear throughout this manual to alert you to important safety hazards and precautions.



Wear Eye and Mask Protection



Read Manual First



Risk of Personal Injury



Risk of Falling



Wear Eye Protection



Wear Hearing Protection



Risk of Fire



Risk of Explosion



Risk of Shock

### Important Safety Information

#### INSTRUCTIONS PERTAINING TO A RISK OF FIRE, ELECTRIC SHOCK, OR INJURY TO PERSONS

This manual contains important safety, operational and maintenance information. If you have any questions, please call 1-800-543-6400 for customer assistance.

**⚠ WARNING** *When using tools, basic precautions should always be followed, including the following:*

#### CALIFORNIA PROPOSITION 65

**⚠ WARNING** *This product or its power cord may contain chemicals known to the State of California to cause cancer and birth defects or other reproductive harm. Wash hands after handling.*

**⚠ WARNING** *You can create dust when you cut, sand, drill or grind materials such as wood, paint, metal, concrete, cement, or other masonry. This dust often contains chemicals known to cause cancer, birth defects, or other reproductive harm. Wear protective gear.*



#### GENERAL

- To reduce the risks of electric shock, fire, and injury to persons, read all the instructions before using the tool. Failure to follow warnings, dangers, and cautions could result in DEATH or SERIOUS INJURY.
- Be thoroughly familiar with the controls and the proper use of the equipment. Follow all instructions. Contact your Campbell Hausfeld representative if you have any questions.
- Only persons well acquainted with these rules of safe operation should be allowed to use the unit.



**⚠ WARNING** *Do not operate or allow anyone else to operate the tool if any warnings or warning labels are not legible. Warnings or warning labels are located on the tool magazine and body.*

**⚠ WARNING** *Always assume the tool contains fasteners. Respect the tool as a working implement; no horseplay. Always keep others at a safe distance from the work area in case of accidental discharge of fasteners. Do not point the tool toward yourself or anyone whether it contains fasteners or not. Accidental triggering of the tool could result in death or serious personal injury.*

**⚠ CAUTION** *Do not make any modifications to the tool without first obtaining written approval from Campbell Hausfeld. Do not use the tool if any shields or guards are removed or altered. Do not use the tool as a hammer. Personal injury or tool damage may occur.*

**NOTICE** *Clean and check all air supply hoses and fittings before connecting the tool to an air supply. Replace any damaged or worn hoses or fittings. Tool performance or durability may be reduced.*

#### WORK AREA

- Keep the work area clean and well lighted. Cluttered benches and dark areas increase the risks of electric shock, fire, and injury to persons.
- Do not operate the tool in explosive atmospheres, such as in the presence of flammable liquids, gases, or dust. The tool is able to create sparks resulting in the ignition of the dust or fumes.
- Keep bystanders, children, and visitors away while operating the tool. Distractions are able to result in the loss of control of the tool.



**Important Safety Information (Continued)**

**PERSONAL SAFETY**

- a. **Stay alert. Watch what you are doing and use common sense when operating the tool. Do not use the tool while tired or under the influence of drugs, alcohol, or medication.** A moment of inattention while operating the tool increases the risk of injury to persons.
- b. **Dress properly. Do not wear loose clothing or jewelry. Contain long hair. Keep hair, clothing, and gloves away from moving parts.** Loose clothes, jewelry, or long hair increases the risk of injury to persons as a result of being caught in moving parts.
- c. **Do not overreach. Keep proper footing and balance at all times.** Proper footing and balance enables better control of the tool in unexpected situations.
- d. **Use safety equipment.** A dust mask, non-skid safety shoes and a hard hat must be used for the applicable conditions.



**WARNING** Ensuring that the tool is used only when the operator and all other personnel in the work area are wearing ANSI Z87 eye protection equipment, and when required, other appropriate protection equipment such as head, hearing and foot protection equipment. Serious eye or permanent hearing loss could result.



e. **Always wear hearing protection when using the tool.** Prolonged exposure to high intensity noise is able to cause hearing loss.



f. **Do not attach the hose or tool to your body.** Attach the hose to the structure to reduce the risk of loss of balance if the hose shifts.

g. **Always assume that the tool contains fasteners.** Do not point the tool toward yourself or anyone whether it contains fasteners or not.



**WARNING** Do not drop or throw the tool. Dropping or throwing the tool can result in damage that will make the tool unusable or unsafe. If the tool has been dropped or thrown, examine the tool closely for bent, cracked or broken parts and air leaks. STOP and repair before using or serious injury could occur.

**CAUTION** Avoid long extended periods of work with the tool. Stop using the tool if you feel pain in hands or arms.

**CAUTION** Hold tool by insulated gripping surface when performing an operation where the tool or fastener may contact hidden wiring. Contacting a "live" wire will make exposed metal parts of the tool "live" and shock the operator.

**WARNING** Never place hands or any other body part in the fastener discharge area of the tool. The tool might eject a fastener and could result in death or serious personal injury.



**ELECTRICAL SAFETY**

**WARNING** The front end of the tool may be made "live" if the tool comes into contact with live wiring in the wall. TO PREVENT ACCIDENTAL ELECTRICAL SHOCK, HOLD TOOL ONLY BY THE SOFT GRIP HANDLE.



**TOOL USE AND CARE**

a. **Do not force the tool.** Use the correct tool for the application. The correct tool will do the job better and safer at the rate for which the tool is designed.

**WARNING** Disconnect the tool from the air source before making adjustments, doing tool maintenance, clearing jams, leaving work area, loading, or unloading the tool. Such precautionary measures reduce the risk of injury to persons.

b. **Store the tool when it is idle out of reach of children and other untrained persons.** A tool is dangerous in the hands of untrained users.

c. **Maintain the tool with care.** A properly maintained tool reduces the risk of problems and is easier to control.

d. **Use only those fasteners listed in the "Fastener Interchange Information" section on page 12 of this manual.** Fasteners not identified for use with this tool by the tool manufacturer are able to result in a risk of injury to persons or tool damage when used in this tool.

e. **Always work in a well-ventilated area. Wear OSHA-approved dust mask.**

**WARNING** Always disconnect the tool from the power source when unattended, performing any maintenance or repair, clearing a jam, loading, unloading, or moving the tool to a new location.

**WARNING** Always fit tool with a fitting or hose coupling on or near the tool in such a manner that all compressed air in the tool is discharged at the time the fitting or hose coupling is disconnected. Do not use a check valve or any other fitting which allows air to remain in the tool. Death or serious personal injury could occur.

**WARNING** Never carry the tool by the air hose or pull the hose to move the tool or a compressor. Keep hoses away from heat, oil and sharp edges. Replace any hose that is damaged, weak or worn. Personal injury or tool damage could occur.

**WARNING** Do not drive a fastener on top of other fastener. The fastener could glance and cause death or a serious puncture wound.

f. **This tool must NOT be modified or used for any application other than that for which it was designed.**

g. **Do not remove any labels from the tool.**

h. **Do not modify or alter the tool or any tool parts. Do not use the tool if any shields or guards are removed or altered.** Do not use the tool as a hammer. Personal injury or tool damage may occur.

**DANGER** Do not use any type of flammable gases or oxygen as a power source for the tool. Use filtered, lubricated, regulated compressed air only. Use of a compressed gas instead of compressed air may cause the tool to explode which will cause death or serious personal injury.

**DANGER** Never use gasoline or other flammable liquids to clean the tool. Never use the tool in the presence of flammable liquids or gases. Vapors could ignite by a spark and cause an explosion which will result in death or serious personal injury.

## Important Safety Information (Continued)

- i. **Avoid using the tool when the magazine is empty.**  
Accelerated wear on the tool may occur.

**⚠ DANGER** *Do not touch the trigger unless driving fasteners. Never attach air line to tool or carry tool while touching the trigger. The tool could eject a fastener which will result in death or serious personal injury.*

### SERVICE

- a. **Tool service must be performed only by qualified repair personnel.**
- b. **When servicing a tool, use only identical replacement parts. Use only authorized parts.**
- c. **Use only the lubricants supplied with the tool or specified by the manufacturer.**

**⚠ CAUTION** *Disconnect air supply and release tension from the pusher before attempting to clear jams because fasteners can be ejected from the front of the tool. Personal injury may occur.*

### AIR SOURCE

- a. **Never connect to an air source that is capable of exceeding 200 psi.** Over pressurizing the tool is able to result in bursting, abnormal operation, breakage of the tool or serious injury to persons. Use only clean, dry, regulated compressed air at the rated pressure or within the rated pressure range as marked on the tool. Always verify prior to using the tool that the air source has been adjusted to the rated air pressure or within the rated air-pressure range.
- b. **Never use oxygen, carbon dioxide, combustible gases or any bottled gas as an air source for the tool.** Such gases are capable of explosion and serious injury to persons.

**NOTICE** *Air compressors providing air to the tool should follow the requirements established by the American National Standards Institute Standard B19.3-1991; Safety Standard for Compressors for Process Industries. Contact your air compressor manufacturer for information.*

**SAVE THESE INSTRUCTIONS  
DO NOT DISCARD**

The **DANGER**, **WARNING**, **CAUTION**, and **NOTICE** notifications and instructions in this manual cannot cover all possible conditions and situations that may occur. It must be understood by the operator that common sense and caution are factors which cannot be built into this product, but must be supplied by the operator.

## Unpacking

After unpacking the unit, inspect carefully for any damage that may have occurred during transit. Check for loose, missing or damaged parts. Make sure to tighten fittings, bolts, etc., before putting unit into service. Check to be sure all supplied accessories are enclosed with the unit. In case of questions, damaged or missing parts, please call 1-800-543-6400 for customer assistance.

### CONTENTS

- ◆ 3/8 inch Stapler
- ◆ Arrow® T50® staples
- ◆ Operating Instructions
- ◆ Warranty Card
- ◆ Carry Bag
- ◆ Wrenches

### ADDITIONAL ITEMS NOT INCLUDED

- ◆ Compressor (must be able to maintain a minimum of 60 psi when the tool is being used)
- ◆ Air hose
- ◆ Small tool for clearing jams
- ◆ Threadlock glue
- ◆ ANSI Z87 eye protection
- ◆ Hearing protection and other personal protective equipment as required

## Assembly

This tool comes fully assembled.

## Glossary

Become familiar with these terms before operating the unit.

**ACTUATE (TOOL)** — To cause movement to the tool's component(s) intended to drive the fastener.

**ACTUATION SYSTEM** — The use of a trigger, work contact element (WCE) and/or other operating control, separately or in combination or sequence, to actuate the tool.

**AIR INLET** — The opening in which the compressed air supply is connected, usually by means of a threaded fitting.

**FASTENERS** — This stapler uses Arrow T50 staples ranging in size from 1/4 inch to 9/16 inch.

**MAGAZINE** — The part of the tool that holds the Fasteners.

**MAXIMUM AIR PRESSURE** — The maximum allowable pressure of compressed air, as specified by the manufacture, for operating the tool.

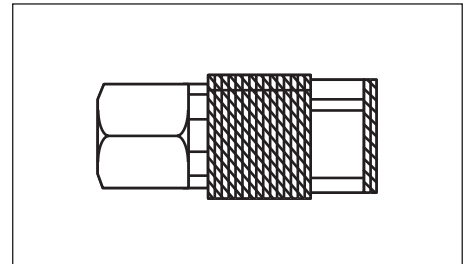
**psi (POUNDS PER SQUARE INCH)** — Measurement of the pressure exerted by the force of the air. The actual psi output is measured by a pressure gauge on the compressor.

**QUICK COUPLER** — A quick coupler is designed to work in combination with a quick plug to quickly and easily join a pneumatic tool to an air hose (see *Figure 2*).

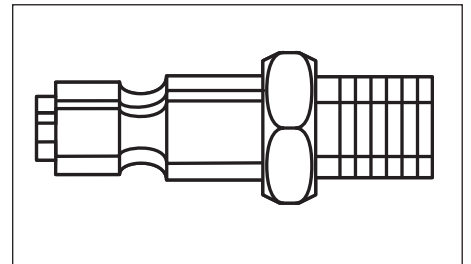
**QUICK PLUG** — A quick plug is designed to work in combination with a quick coupler to quickly and easily join a pneumatic tool to an air hose (see *Figure 3*).

**REGULATOR** — A device used to control air pressure to an air operated tool

**THREAD LOCK GLUE** — A locking glue that is applied to the screw threads before installing. Prevents the screws from working loose during tool operation.



**Figure 2 - Quick Coupler**



**Figure 3 - Quick Plug**

**Getting To Know Your Upholstery Stapler Like A Pro**

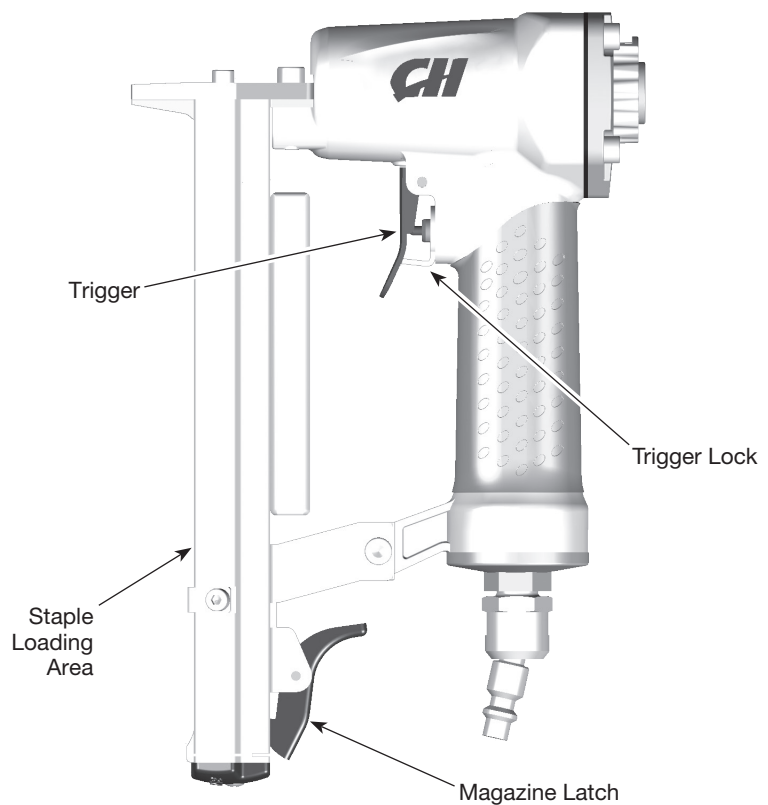
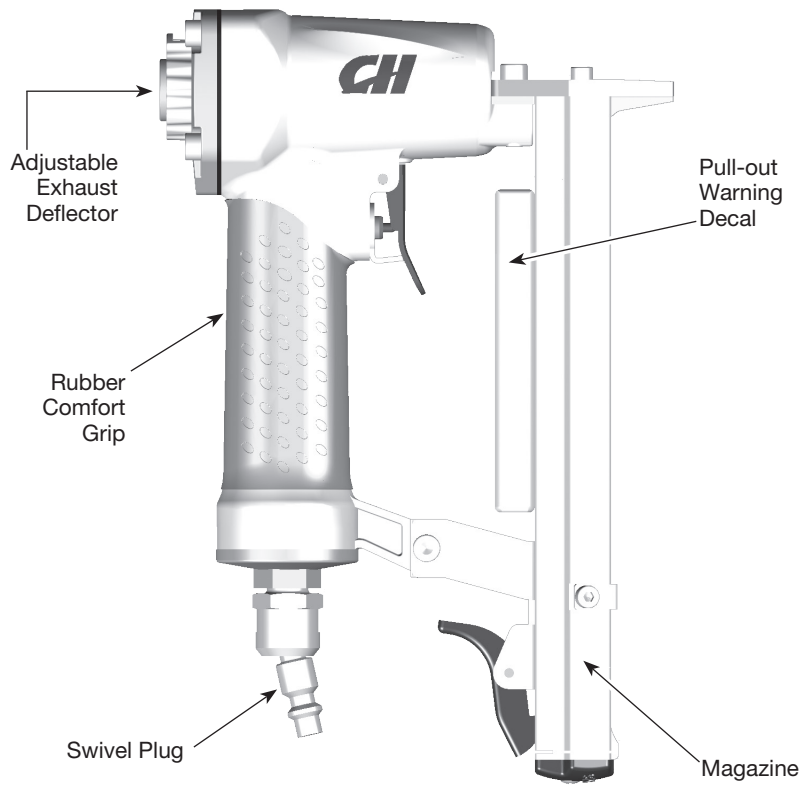
**Features**

**ADJUSTABLE EXHAUST DEFLECTOR**

This tool is equipped with an adjustable exhaust deflector feature. This allows for the tool exhaust to be redirected in any position that is convenient for the user. Turn the deflector to any direction desired.

**RUBBER COMFORT GRIP**

Helps to maintain a steady grip and prevents fatigue.



**Figure 4 - Components of the Stapler**



**Set-Up**

**LUBRICATION**

This tool requires **NO** lubrication for normal operation. However, lubrication will **NOT** harm the tool.

**NOTICE**

*The work surface can become damaged by excessive lubrication.*

**MINIMUM COMPONENTS REQUIRED FOR HOOK-UP**

**AIR COMPRESSOR:** The air compressor must be able to maintain a minimum of 60 psi when the tool is being used. An inadequate air supply can cause a loss of power and inconsistent driving (see Chart 1).

**PRESSURE REGULATOR:** A pressure regulator is required to control the operating pressure of the tool between 60 psi and 100 psi.

**AIR SUPPLY HOSE:** ALWAYS use air supply hoses with a minimum working pressure rating equal to or greater than the pressure from the power source, or 150 psi, whichever is greater. Use 1/4 inch air hose for runs up to 50 feet. Use 3/8 inch air hoses for 50 foot run or longer (see Figure 5 and Chart 2).

**HOOK-UP INSTRUCTIONS FOR STAPLER TO AIR SUPPLY**

Figure 6 shows the recommended hookup for the tool.

**NOTE:** For better performance, install a 3/8 inch quick plug (1/4 inch NPT threads) with an inside diameter of 0.315 inch (8 mm) on the tool and a 3/8 inch quick coupler on the air hose.

1. With ON/OFF switch in OFF position, plug compressor into electrical outlet.
2. Close pressure regulator by turning all the way to the left. Turn compressor ON and let it pump all the way up to automatic shut-off pressure.
3. Attach air hose to regulator outlet. Adjust pressure regulator by turning to the right so that outlet pressure is between 60 psi to 100 psi.
4. Load fasteners into tool (See Loading/Unloading the Stapler section on page 10).
5. Point the tool in a safe direction while attaching to air hose.
6. Tool is ready for use. You may need to adjust outlet pressure to achieve proper fastener depth.


	60 psi Minimum
	100 psi Maximum

Chart 1

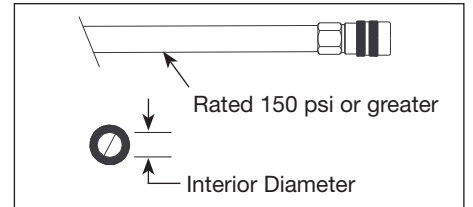


Figure 5 - Air Hose Requirements

AIR HOSE REQUIREMENTS	
DIAMETER	LENGTH OF RUN
1/4 inch	Less than 50 feet
3/8 inch	Greater than or equal to 50 feet

Chart 2

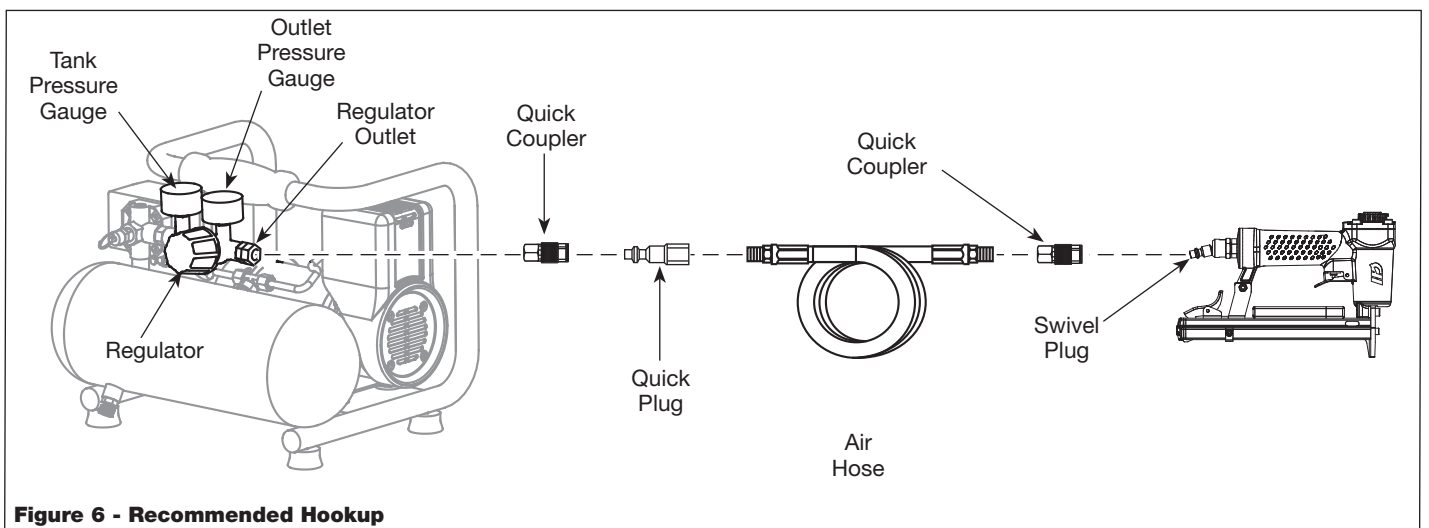


Figure 6 - Recommended Hookup

## Set-Up (Continued)

### LOADING / UNLOADING THE STAPLER

Choose which type of fastener you want to use for your project. Additional fasteners can be found at major home centers.

#### Loading the Stapler

Always **disconnect** the tool from the air supply **before** loading / unloading fasteners.

1. Press down on latch and pull back on the magazine cover.
2. Insert a stick of Campbell Hausfeld staples or equivalent (see "Fasteners" section) into the magazine. Make sure the staples are not dirty or damaged.
3. Push the magazine cover forward until the latch catches.

#### Unloading the Stapler

Always **disconnect** the tool from the air supply **before** loading / unloading fasteners.

1. Press down on latch and pull back on the magazine cover.
2. Remove fasteners.
3. Push the magazine cover forward until the latch catches.

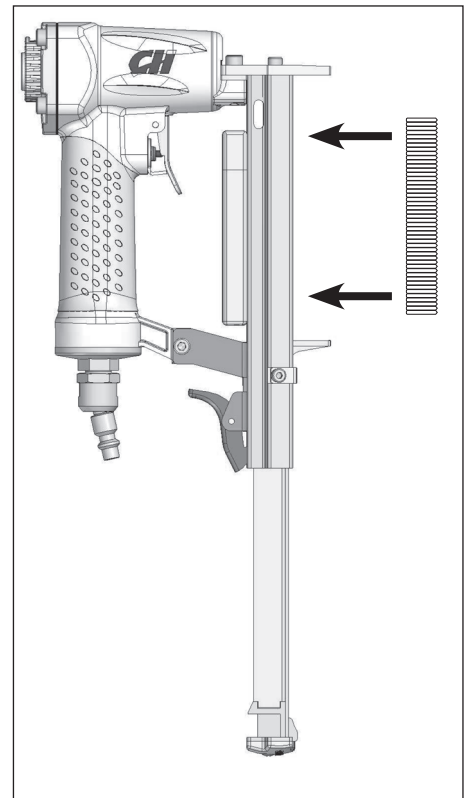


Figure 7 - Loading the stapler

## Operation

### OPERATIONAL MODE

**⚠ WARNING** *Always know the operational mode of the tool before using. Failure to know the operational mode could result in death or serious personal injury.*

#### TRIGGER ONLY MODE (WITH TRIGGER LOCK)

The tool is a single-actuator device. This mode requires that, with the trigger lock not positioned in the safe mode, only a pull of the trigger will fire a fastener.

After verifying there are no fasteners in the tool, safety check the operation of the activated trigger lock to prevent the tool from firing a fastener before storage. Always disconnect from compressed air when not in use.

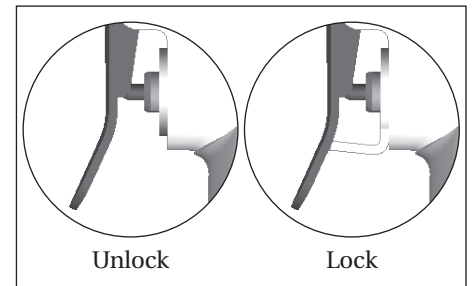


Figure 8

## Storage

The stapler should be stored in a cool dry location.

## Maintenance

### CLEARING A JAM FROM THE STAPLER

1. Disconnect stapler from air supply.
2. Remove all fasteners from the magazine (see Loading/ Unloading). Failure to do so may cause the fasteners to eject from the front of the stapler.
3. Press magazine latch (see Loading / Unloading the Stapler).
4. Open the magazine, exposing the jammed fastener.
5. Remove the jammed fastener, using pliers or a screwdriver if required.
6. Load with staples.
7. Make sure the trigger moves freely without sticking or binding.

### STAPLER REPAIR

Only qualified personnel should repair the tool and they should use genuine Campbell Hausfeld replacement parts and accessories, or parts and accessories which perform equivalently.

### REPLACEMENT PARTS

**⚠ WARNING** Use only genuine Campbell Hausfeld service parts. Tool performance, safety and durability could be reduced if improper parts are used. When ordering replacement parts, specify by part number.

### ASSEMBLY PROCEDURE FOR SEALS

When repairing a stapler, the internal parts must be cleaned and lubricated. Parker O-lube or equivalent must be used on all o-rings. Each o-ring must be coated with O-lube before assembling. A small amount of oil must be used on all moving surfaces and pivots.

### TECHNICAL SERVICE

For information regarding the operation or repair of this product, please call 1-800-543-6400.

### FASTENER INTERCHANGE INFORMATION

Fasteners used in the Campbell Hausfeld CHN71600 3/8 inch Stapler include:

- Arrow® T50® staples or any equivalent fastener with the approximate dimensions illustrated in Figure 10

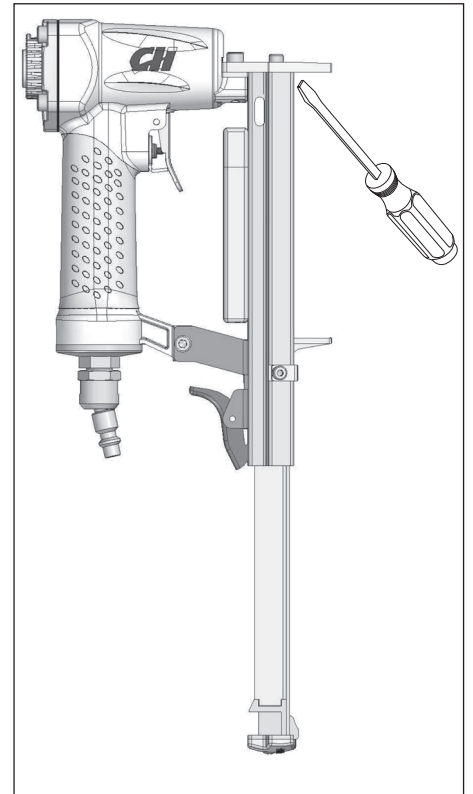


Figure 9

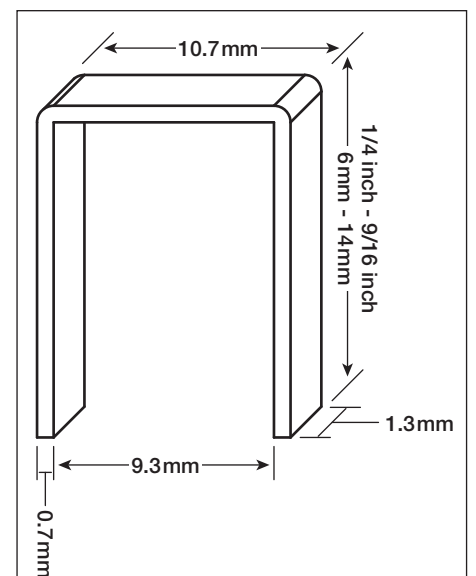


Figure 10



## Troubleshooting Guide

### **▲ WARNING**

*Stop using tool immediately if any of the following problems occur. Serious personal injury could result. Any repairs or replacements must be done by a Qualified Service Person or Authorized Service Center.*

SYMPTOM	CAUSE	SOLUTION
Air leaking at trigger valve	O-rings in trigger valve housing are damaged	Replace O-rings.
Air leaking between housing and nose	<ol style="list-style-type: none"> <li>Damaged O-rings and / or seals</li> <li>Damage to bumper</li> </ol>	<ol style="list-style-type: none"> <li>Replace o-rings and / or seals</li> <li>Replace bumper</li> </ol>
Air leaking between housing and cap	<ol style="list-style-type: none"> <li>Loose screws</li> <li>Damaged gasket</li> </ol>	<ol style="list-style-type: none"> <li>Tighten screws</li> <li>Replace gasket</li> </ol>
Stapler skips driving staples	<ol style="list-style-type: none"> <li>Worn bumper</li> <li>Dirt in nose piece</li> <li>Dirt or damage prevent staples or pusher from moving freely in magazine</li> <li>Damaged pusher spring</li> <li>Inadequate air flow to stapler</li> <li>Worn ring on piston or lack of lubrication</li> <li>Damaged o-ring on trigger valve</li> <li>Air leaks</li> </ol>	<ol style="list-style-type: none"> <li>Replace bumper</li> <li>Clean drive channel</li> <li>Clean magazine</li> <li>Replace spring</li> <li>Check fitting, hose, or compressor</li> <li>Replace piston seals</li> <li>Replace o-rings</li> <li>Tighten screws and fittings</li> </ol>
Stapler runs slow or has loss of power	<ol style="list-style-type: none"> <li>Stapler not lubricated sufficiently</li> <li>Broken spring in cylinder cap</li> <li>Exhaust port in cap is blocked</li> </ol>	<ol style="list-style-type: none"> <li>Lubricate stapler</li> <li>Replace spring</li> <li>Replace damaged internal parts</li> </ol>
Staples are jammed in stapler	<ol style="list-style-type: none"> <li>Guide on driver is worn</li> <li>Staples are not correct type</li> <li>Staples are bent</li> <li>Magazine or nose screws are loose</li> <li>Driver is damaged</li> <li>Staples loaded incorrectly</li> </ol>	<ol style="list-style-type: none"> <li>Replace guide</li> <li>Use only recommended staples</li> <li>Replace with undamaged staples</li> <li>Tighten screws</li> <li>Replace driver</li> <li>Review Loading / Unloading section of manual</li> </ol>

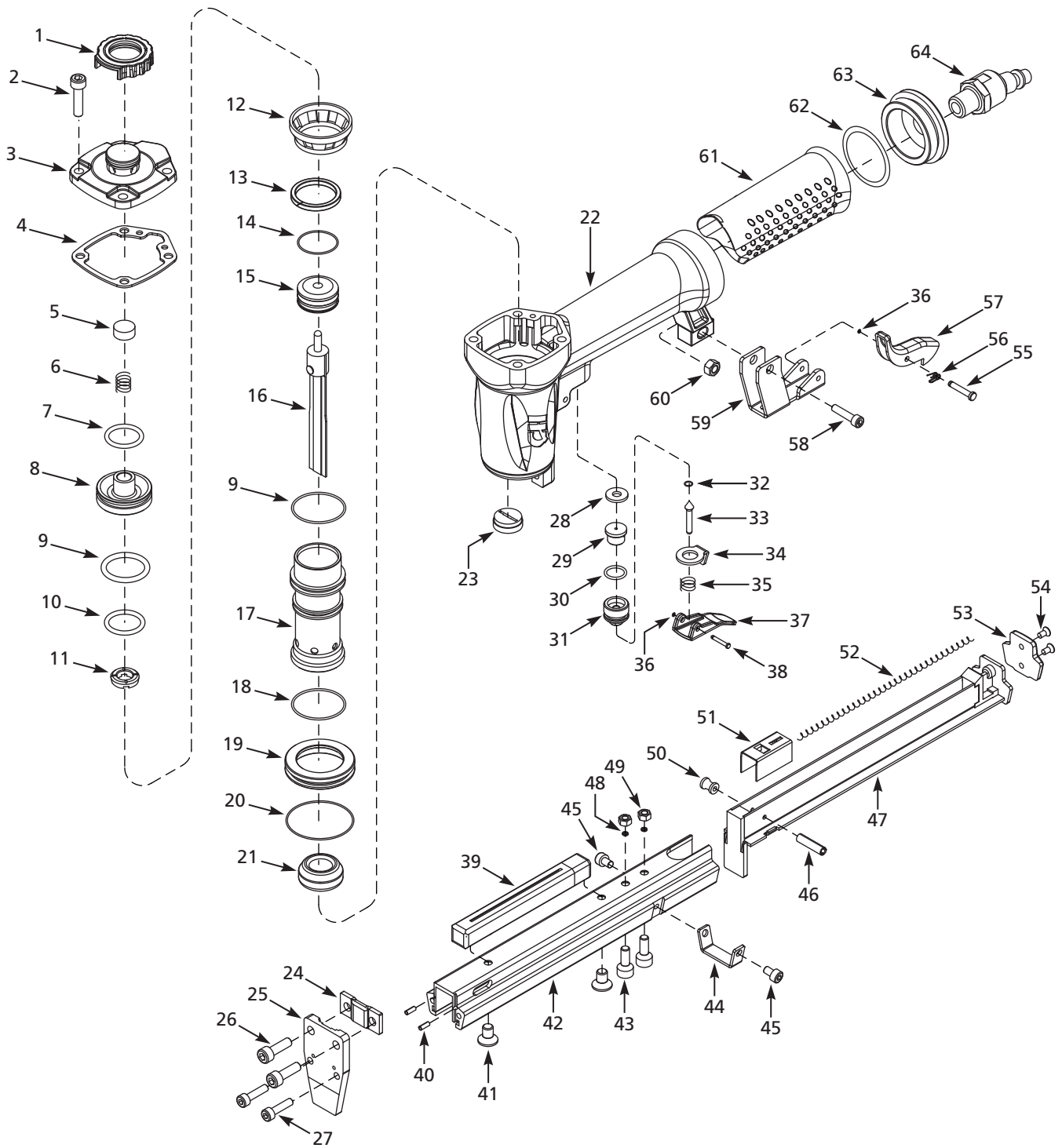
**For Replacement Parts or Technical Assistance, Call 1-800-543-6400**

Please provide following information:

- Model number
- Serial number (if any)
- Part description and number as shown in parts list

Address any correspondence to:

Campbell Hausfeld  
 Attn: Customer Service  
 100 Production Drive  
 Harrison, OH 45030 U.S.A.



**Figure 11 - Repair Parts Illustration for Air Powered Stapler, model CHN71600AV**

**Replacement Parts List**

Ref. No.	Description	Part No.	Qty.
1	Exhaust deflector	—	1
2	Socket head cap screw - M5 x 14	*	4
3	Cylinder head cap	—	1
4	Gasket	■	1
5	Exhaust seal	■	1
6	Valve spring	■	1
7	O-ring	■	1
8	Valve	—	1
9	O-ring	■	2
10	O-ring	■	1
11	Cushion	■	1
12	Collar	—	1
13	Piston ring	▲	1
14	O-ring	▲	1
15	Piston	▲	1
16	Driver blade	▲	1
17	Cylinder	—	1
18	O-ring	■	1
19	Restrictor plate	—	1
20	O-ring	■	1
21	Bumper	■	1
22	Body	—	1
23	Nozzle	■	1
24	Plate	—	1
25	Drive guide	—	1
26	Socket head cap screw - M5 x 18	*	2
27	Socket head cap screw - M4 x 16	*	2
28	Seal	■	1
29	Trigger valve head	—	1
30	O-ring	■	1
31	Trigger valve	—	1
32	O-ring	■	1
33	Trigger valve stem	—	1
34	Trigger safety	—	1
35	Trigger spring	■	1
36	Split washer	—	2
37	Trigger	—	1
38	Pin	—	1
39	Recoil decal housing	—	1
40	Spring pin	—	2

Ref. No.	Description	Part No.	Qty.
41	Screw - M4 x 10	*	2
42	Magazine	—	1
43	Socket head cap screw - M4 x 10	*	2
44	Stop piece	—	1
45	Socket head cap screw - M4 x 6	*	2
46	Spring pin	—	1
47	Magazine door	—	1
48	Washer	—	2
49	Washer - M4	*	2
50	Pulley	—	1
51	Pusher	—	1
52	Pusher spring	■	1
53	Protection plate	—	1
54	Screw - M3 x 6	*	2
55	Roll pin	—	1
56	Spring	■	1
57	Magazine thumb latch	—	1
58	Socket head cap screw - M5 x 20	*	1
59	Magazine bracket	—	1
60	Nut - M5	*	1
61	Hand grip	—	1
62	O-ring	■	1
63	Inlet end cap	—	1
64	1/4-18 i/m (m) swivel plug	SV567600AV	1

**REPLACEMENT PARTS KITS**

- ▲ Drive blade assembly SKN23500AV
- Complete rebuild kit SKN23800AV
- Not Available
- \* Standard hardware item - available at your local hardware store

---

**Reminder:** *Keep your dated proof of purchase for warranty purposes! Attach it to this manual or file it for safekeeping.*

---

## Warranty

1. DURATION: From the date of purchase by the original purchaser as follows: One (1) Year.
2. WHO GIVES THIS WARRANTY (WARRANTOR): Campbell Hausfeld / Scott Fetzer Company, 100 Production Drive, Harrison, Ohio, 45030, Telephone: (800) 543-6400
3. WHO RECEIVES THIS WARRANTY (PURCHASER): The original purchaser (other than for purposes of resale) of the Campbell Hausfeld product.
4. WHAT PRODUCTS ARE COVERED BY THIS WARRANTY: This Campbell Hausfeld nailer or stapler.
5. WHAT IS COVERED UNDER THIS WARRANTY: Substantial defects in material and workmanship which occur within the duration of the warranty period with the exceptions below.
6. WHAT IS NOT COVERED UNDER THIS WARRANTY:
  - A. Implied warranties, including those of merchantability and FITNESS FOR A PARTICULAR PURPOSE ARE LIMITED FROM THE DATE OF ORIGINAL PURCHASE AS STATED IN THE DURATION. If this product is used for commercial, industrial or rental purposes, the warranty will apply for ninety (90) days from the date of purchase. Some States do not allow limitation on how long an implied warranty lasts, so the above limitations may not apply to you.
  - B. ANY INCIDENTAL, INDIRECT, OR CONSEQUENTIAL LOSS, DAMAGE, OR EXPENSE THAT MAY RESULT FROM ANY DEFECT, FAILURE, OR MALFUNCTION OF THE CAMPBELL HAUSFELD PRODUCT. Some States do not allow the exclusion or limitation of incidental or consequential damages, so the above limitation or exclusion may not apply to you.
  - C. Any failure that results from an accident, purchaser's abuse, neglect or failure to operate products in accordance with instructions provided in the owner's manual(s) supplied with product. Accident, purchaser's abuse, neglect or failure to operate products in accordance with instructions shall also include the removal or alteration of any safety devices. If such safety devices are removed or altered, this warranty is void.
  - D. Normal adjustments which are explained in the owner's manual(s) provided with the product.
  - E. Items or service that are normally required to maintain the product, e.g. o-rings, springs, bumpers, debris shield, driver blades, gaskets, packings or seals, lubricants, or any other expendable part not specifically listed. These items will only be covered for ninety (90) days from date of original purchase. Underlined items are warranted for defects in material and workmanship only.
7. RESPONSIBILITIES OF WARRANTOR UNDER THIS WARRANTY: Repair or replace, at Warrantor's option, products or components which are defective, have malfunctioned and/or failed to conform within the duration of the specific warranty period.
8. RESPONSIBILITIES OF PURCHASER UNDER THIS WARRANTY:
  - A. Provide dated proof of purchase and maintenance records.
  - B. Call Campbell Hausfeld (800) 543-6400 to obtain your warranty service options. Freight costs must be borne by the purchaser.
  - C. Use reasonable care in the operation and maintenance of the products as described in the owner's manual(s).
9. WHEN WARRANTOR WILL PERFORM REPAIR OR REPLACEMENT UNDER THIS WARRANTY: Repair or replacement will be scheduled and serviced according to the normal work flow at the servicing location, and depending on the availability of replacement parts.

This Limited Warranty applies in the United States, Canada and Mexico only and gives you specific legal rights. You may also have other rights which vary from state to state or country to country.





# Agrafeuse de 3/8 po (9,5 mm)

Instructions d'Utilisation et Manual de Pièces

**CHN71600**



ENGLISH: Page 1  
ESPAÑOL: Página 33

IN729800AV 3/10  
© 2010 Campbell Hausfeld/Scott Fetzer



VOUS PERMET DE LE FAIRE COMME UN PROFESSIONNEL

[chpower.com](http://chpower.com)

## Table des Matières

---

Description . . . . .	F-19	Exigences du tuyau à air . . . . .	F-25
Spécifications . . . . .	F-19	Charger/décharger l'outil . . . . .	F-26
Directives de sécurité . . . . .	F-20	Charger l'outil . . . . .	F-26
Symboles de sécurité . . . . .	F-20	Décharger l'outil . . . . .	F-26
Information importante sur la sécurité . . . . .	F-20	Fonctionnement . . . . .	F-26
Instructions portant sur un risque d'incendie, un choc électrique ou des blessures aux personnes . . . . .	F-20	Mode d'Opération . . . . .	F-26
Proposition 65 de Californie . . . . .	F-20	Mode de Gâchette Seulement (avec Verrou de Gâchette) . . . . .	F-26
Généralités . . . . .	F-20	Rangement . . . . .	F-27
Aire de travail . . . . .	F-20	Entretien . . . . .	F-27
Sécurité personnelle . . . . .	F-21	Débloquer l'outil . . . . .	F-27
Sécurité électrique . . . . .	F-21	Réparation de l'outil . . . . .	F-27
Utilisation et entretien de l'outil . . . . .	F-21	Pièces de rechange . . . . .	F-27
Service . . . . .	F-22	Procédure d'assemblage pour les joints . . . . .	F-27
Source d'air . . . . .	F-22	Service technique . . . . .	F-27
Déballage . . . . .	F-22	Information sur les attaches interchangeables . . . . .	F-27
Contenu . . . . .	F-22	Guide de dépannage . . . . .	F-29
Autres articles non inclus . . . . .	F-22	Liste de pièces de rechange pour l'outil de pointes de vitrier . . . . .	F-30 - F-31
Assemblage . . . . .	F-22	Garantie . . . . .	F-32
Glossaire . . . . .	F-23		
Apprendre à connaître votre agrafeuse de rembourrage comme un professionnel . . . . .	F-24		
Caractéristiques . . . . .	F-24		
Déflecteur d'échappement ajustable . . . . .	F-24		
Installation . . . . .	F-25		
Lubrification . . . . .	F-25		
Composants minimaux requis pour le raccord . . . . .	F-25		
Instructions de branchement de l'outil à l'alimentation d'air . . . . .	F-25		

---

### Pour l'information sur les pièces, produits et services

**APPELER:** Service à la clientèle au 1-800-543-6400

**ADRESSER TOUTE CORRESPONDANCE À :** Campbell Hausfeld  
Attn: Customer Service  
100 Production Drive  
Harrison, OH 45030 U.S.A.



# Agrafeuse de 3/8 po (9,5 mm)



## Description

Cette agrafeuse est conçue pour le rembourrage, les garnitures décoratives et l'assemblage de cadres. Caractéristiques : pratique chargeur à chargement inférieur convenant pour 150 agrafes, sans huile, chargeur en ligne, prise confortable de caoutchouc, fiche pivotante, verrou à gâchette et échappement ajustable.

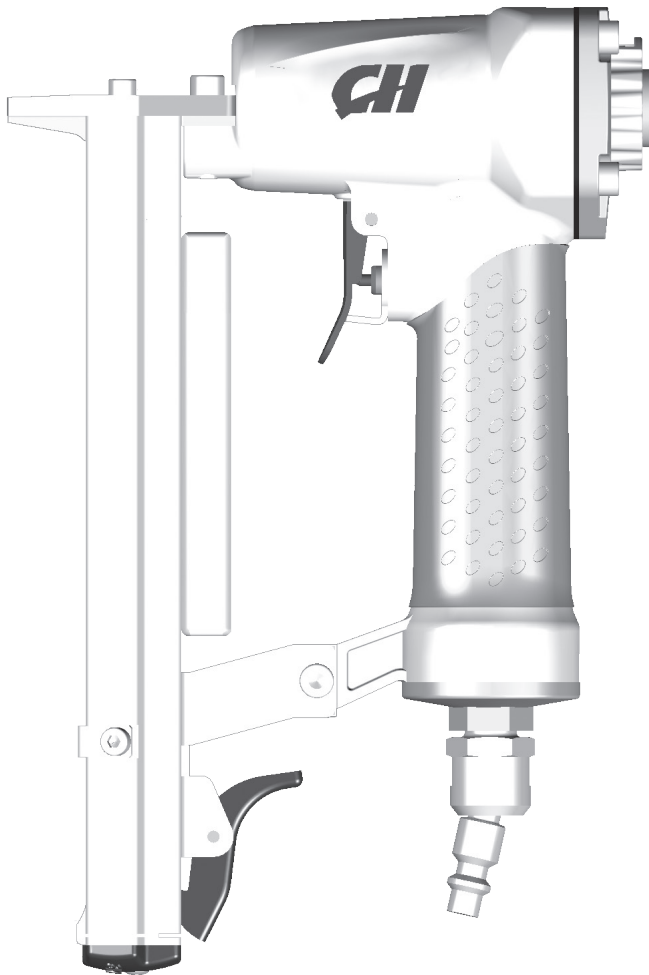


Figure 1 - CHN71600 Agrafeuse

## Spécifications

### Modèle CHN71600

**Exigences :** 0,006 m<sup>3</sup>/min (0,2 PCNM) utilisant 10 attaches à la minute à 621 kPa (90 lb/po<sup>2</sup>)

**Prise d'air :** 1/4 po NPT

### Plage de tailles d'attaches :

Agrafes Arrow® T50® 6,35 à 14,3 mm (1/4 à 9/16 po) (voir la section sur les attaches interchangeables de la page F-27 pour plus d'information)

**Capacité du chargeur :** 150 attaches par charge

**Poids :** 0,91 kg (2 lbs.)

**Longueur :** 23,50 cm (9-1/4 po)

**Hauteur :** 15,24 cm (6 po)

**Pression Maximale :** 690 kPa

**Gamme de Pression :** 414 kPa - 690 kPa

Trouver le numéro de modèle et le code de date sur le chargeur et/ou le corps de l'outil. Inscrire plus bas :

N° du Modèle : \_\_\_\_\_

Code Date : \_\_\_\_\_

Conserver ces numéros comme référence.

### Directives de Sécurité

Ce manuel contient de l'information très importante qui est fournie pour la SÉCURITÉ et pour ÉVITER LES PROBLÈMES D'ÉQUIPEMENT. Rechercher les symboles suivants pour cette information.

**▲ DANGER** Danger indique une situation dangereuse imminente qui MÈNERA à la mort ou à des blessures graves si elle n'est pas évitée.

**▲ AVERTISSEMENT** Avertissement indique une situation potentiellement dangereuse qui, si elle n'est pas évitée, POURRAIT mener à la mort ou à de graves blessures.

**▲ ATTENTION** Attention indique une situation potentiellement dangereuse qui, si elle n'est pas évitée, PEUT mener à des blessures mineures ou modérées.

**AVIS** Avis indique de l'information importante qui pourrait endommager l'équipement si elle n'est pas respectée.

**REMARQUE :** Information qui exige une attention spéciale.

### Symboles de sécurité

Les symboles de sécurité suivants apparaissent dans l'ensemble de ce manuel pour vous aviser des dangers et précautions importants de sécurité.



Porter une protection oculaire et un masque.



Lire le manuel d'abord



Risque de blessure



Risque de tomber



Porter une protection oculaire.



Porter une protection auditive



Risque d'incendie



Risque d'explosion



Risque de choc

### Importantes Instructions De Sécurité

#### Instructions Portant Sur Un Risque d'Incendie, Un Choc Électrique Ou Des Blessures Aux Personnes

Ce manuel contient des informations concernant la sécurité, le fonctionnement et l'entretien. Si vous avez des questions, appeler le 1-800-543-6400 pour le service à la clientèle.

**▲ AVERTISSEMENT**

En utilisant les outils, il faut suivre les précautions de base, y compris ce qui suit :

#### PROPOSITION 65 DE CALIFORNIE

**▲ AVERTISSEMENT**

Ce produit ou son cordon peuvent contenir des produits chimiques qui, de l'avis de l'État de Californie, causent le cancer et des anomalies congénitales ou autres problèmes de reproduction. Lavez-vous les mains après la manipulation.

**▲ AVERTISSEMENT**

Vous pouvez créer de la poussière en coupant, ponçant, perçant ou meulant les matériaux tels que le bois, la peinture, le métal, le béton, le ciment ou autre maçonnerie. Cette poussière contient souvent des produits chimiques reconnus pour causer le cancer, les déformations congénitales



#### GÉNÉRALITÉ :

- Pour réduire les risques de chocs électriques, d'incendie ou de blessures aux personnes, lire toutes les instructions avant d'utiliser l'outil. Ne pas suivre les avertissements, les dangers et les mises en garde pourrait causer la MORT ou de GRAVES BLESSURES.
- Se familiariser avec ce produit, ses commandes et son utilisation. Suivez toutes les instructions. Contacter votre représentant Campbell Hausfeld si vous avez des questions.
- Seules les personnes familières avec ces règles d'utilisation sans danger devraient utiliser cette unité.



**▲ AVERTISSEMENT**

Ne pas utiliser l'outil ni permettre qu'une autre personne l'utilise si les avertissements ou les étiquettes d'avertissement situés sur le chargeur et corps de l'outil ne sont pas lisibles.

**▲ AVERTISSEMENT**

Toujours prendre par acquis que l'outil contient des attaches. Respecter l'outil comme accessoire de travail non pas un jouet. Donc aucun jeu brutal. Toujours garder les autres personnes à une distance de sécurité de l'aire de travail en cas de décharge accidentelle des attaches. Ne pas pointer l'outil vers vous ou vers quelqu'un d'autre qu'il y ait ou non des attaches dans l'outil. Le déclenchement accidentel de l'outil pourrait causer la mort ou de graves blessures.

**▲ ATTENTION**

Ne pas apporter de modifications à l'outil sans d'abord obtenir une approbation écrite de Campbell Hausfeld. N'utilisez pas une cloueuse si les écrans ou protecteurs ont été enlevés ou altérés. Ne pas utiliser l'outil comme un marteau. Cela peut entraîner des blessures ou endommager l'appareil.

**AVIS**

Nettoyer et vérifier tous les tuyaux et raccords avant de brancher la cloueuse au compresseur d'air. Remplacer les tuyaux ou les raccords endommagés ou usés, sinon, le rendement et la durabilité de l'outil seront affectés.

#### AIRE DE TRAVAIL

- Garder l'aire de travail propre et bien éclairée. Les établis encombrés et les coins sombres augmentent les risques de chocs électriques, d'incendie et de blessures aux personnes.
- Ne pas faire fonctionner l'outil dans une atmosphère explosive comme en présence de liquides, gaz ou poussières inflammables. L'outil peut produire des étincelles menant à une inflammation de poussières ou de fumées.
- Garder les spectateurs, les enfants et les visiteurs loin en utilisant l'outil. Les distractions peuvent faire perdre le contrôle de l'outil.



## Importantes Instructions De Sécurité (Suite)

### SÉCURITÉ PERSONNELLE

- Rester vigilant. Il faut regarder ce que vous faites et utiliser son sens commun en faisant fonctionner un outil. Ne pas faire fonctionner l'appareil si vous êtes fatigué ou sous l'influence de drogues, d'alcool ou de médicaments.** Un moment d'inattention en faisant fonctionner l'outil augmente le risque de blessures.
- Il faut s'habiller correctement. Ne pas porter de bijoux ou de vêtements amples. Attacher les cheveux longs. Garder les cheveux, les vêtements et les gants loin des pièces mobiles.** Les vêtements amples, les bijoux ou les cheveux longs augmentent le risque de blessures si quelque chose se prend dans les pièces mobiles.
- Ne pas trop se pencher. Garder bon pied et bon équilibre en tout temps.** Ceci permet d'avoir un meilleur contrôle de l'outil dans les situations imprévues.
- Utiliser l'équipement de sécurité.** Il faut utiliser un masque antipoussières, des souliers de sécurité antidérapants et un casque de protection appropriés pour les conditions en cours.



**AVERTISSEMENT** S'assurer que l'outil est utilisé seulement lorsque l'opérateur et tout autre personnel dans l'aire de travail portent un équipement de protection oculaire ANSI Z87 et, s'il y a lieu, d'autre équipement de protection approprié tel que de l'équipement de protection pour la tête, les oreilles et les pieds. Il pourrait y avoir de graves lésions oculaires ou perte auditive.



**Toujours porter une protection auditive en utilisant l'outil.** Toute exposition prolongée à des bruits de forte intensité pourrait provoquer une perte auditive.



**Ne pas attacher le boyau d'air ou l'outil à votre corps.** Fixer le boyau à la structure pour réduire le risque de perte d'équilibre si le boyau se déplace.

**Toujours assumer que l'outil contient des attaches.** Ne pas pointer l'outil vers soi ou vers quelqu'un d'autre qu'il y ait des attaches ou non.



**AVERTISSEMENT** Ne pas échapper ni jeter l'outil car ceci peut causer du dommage le rendant dangereux à utiliser. Si l'outil s'est fait échappé ou jeté, l'examiner soigneusement afin de déterminer s'il est courbé, fendu ou s'il y a des fuites ou pièces détachées endommagées. ARRÊTER et réparer avant d'utiliser, sinon, il y a un risque de blessures graves.

**ATTENTION** Éviter d'utiliser l'outil pour une période de temps prolongée. Cesser d'utiliser l'outil si l'on ressent des douleurs dans les mains ou dans les bras.

**ATTENTION** Tenir l'outil par la surface de prise isolée en effectuant le travail lorsque l'outil ou l'attache pourrait entrer en contact avec un câblage caché. Un contact avec un fil « sous tension » rendra les pièces de métal exposées de l'outil « sous tension » et produira un choc pour l'opérateur.

**AVERTISSEMENT** Ne jamais placer les mains ou toute autre partie du corps dans la section de décharge des attaches de l'outil. L'outil pourrait décharger une attache menant à la mort ou à de graves blessures.



### SÉCURITÉ ÉLECTRIQUE

**AVERTISSEMENT** L'avant de l'outil pourrait être placé « sous tension » si l'outil entre en contact avec des fils sous tension dans le mur. **POUR ÉVITER TOUT CHOC ÉLECTRIQUE ACCIDENTEL, TENIR L'OUTIL SEULEMENT PAR LA POIGNÉE À PRISE SOUPLE.**



### UTILISATION ET ENTRETIEN DE L'OUTIL

**Ne pas forcer l'outil. Utiliser le bon outil pour l'application.** Le bon outil effectuera le meilleur travail sécuritaire au rythme pour lequel il a été conçu.

**AVERTISSEMENT** Débrancher l'outil de la source d'air avant tout ajustement, entretien de l'outil, déblocages, avant de quitter l'aire de travail, de charger ou de décharger l'outil. De telles mesures de précautions réduisent le risque de blessures.

**Ranger l'outil lorsqu'il n'est pas utilisé hors de portée des enfants et autres personnes non formées.** Un outil est dangereux dans les mains d'utilisateurs non formés.

**Il faut entretenir l'outil avec soin.** Un outil bien entretenu réduit le risque de problèmes et est plus facile à contrôler.

**Utiliser seulement les attaches indiquées dans la section « Information sur les attaches interchangeables » de la page 30.** Les attaches non identifiées pour une utilisation avec cet outil par le fabricant de l'outil pourraient mener à des risques de blessures pour les personnes ou des dommages à l'outil si utilisées dans cet outil.

**Toujours travailler dans un endroit bien ventilé. Porter un masque anti-poussières homologué OSHA.**

**AVERTISSEMENT** Toujours débrancher l'outil de la source de courant lorsqu'il est sans supervision, pour effectuer son entretien ou des réparations, pour débloquer, charger, décharger ou déplacer l'outil vers un nouvel endroit.

**AVERTISSEMENT** L'outil doit être ajusté à un raccord ou à coupleur de boyau sur ou près de l'outil pour que tout air comprimé de l'outil soit déchargé lorsque le raccord ou le coupleur de boyau est débranché. Ne pas utiliser de clapet de non-retour ou tout autre raccord qui laisse de l'air dans l'outil. Ceci pourrait mener à des blessures graves ou à la mort.

**AVERTISSEMENT** Ne jamais transporter l'outil par le boyau et ne pas tirer le boyau pour déplacer l'outil ou un compresseur. Garder les boyaux loin de la chaleur, de l'huile et des bords tranchants. Remplacer tout boyau endommagé, affaibli ou usé. Sinon il pourrait y avoir des blessures personnelles ou des dommages à l'outil.

**AVERTISSEMENT** Ne pas enfoncer de clou sur d'autres clous. Le clou pourrait dévier et provoquer la mort ou de graves piqûres.

**Cet outil NE peut PAS être modifié ou utilisé pour toute application autre que celle pour laquelle il a été conçu.**

**Ne pas retirer les étiquettes de l'outil.**

**Ne pas modifier ou altérer l'outil ou les pièces de l'outil. Ne pas utiliser l'outil si des écrans ou des protecteurs ont été retirés ou modifiés.** Ne pas utiliser l'outil comme marteau. Sinon il pourrait y avoir des blessures personnelles ou des dommages à l'outil.

## Importantes Instructions De Sécurité (Suite)

**⚠ DANGER** *Ne pas utiliser tous types de gaz inflammables ou oxygène comme source d'alimentation de l'outil. Utiliser seulement de l'air comprimé filtré, lubrifié, contrôlé. Utiliser un gaz comprimé au lieu de l'air comprimé pourrait faire exploser l'outil ce qui pourrait causer la mort ou de graves blessures.*

**⚠ DANGER** *Ne jamais utiliser d'essence ou d'autres liquides inflammables pour nettoyer l'outil. Ne jamais utiliser l'outil en présence de liquides ou gaz inflammables. Les vapeurs pourraient créer une étincelle et une explosion qui mènerait à la mort ou à de graves blessures.*

- i. Éviter d'utiliser l'outil avec un chargeur vide.  
Cela pourrait accélérer l'usure de l'outil.

**⚠ DANGER** *Ne pas toucher la gâchette à moins d'enfoncer des attaches. Ne jamais attacher de conduite d'air à l'outil ou transporter l'outil en touchant la gâchette. L'outil pourrait décharger une attache menant à la mort ou à de graves blessures.*

### SERVICE

- Tout le travail d'entretien et de réparation doit être effectué seulement par un personnel de réparation qualifié.
- En réparant ou faisant l'entretien d'un outil, utiliser seulement des pièces de rechange identiques. Utiliser seulement des pièces autorisées.
- Utiliser seulement les lubrifiants fournis avec l'outil ou spécifiés par le fabricant.

**⚠ ATTENTION** *Couper l'alimentation d'air et décharger toute pression du poussoir avant d'essayer de dégager les blocages parce que les attaches peuvent être projetées de l'avant de l'outil. Des blessures graves pourraient en résulter.*

### SOURCE D'AIR

- Ne jamais brancher à une source d'air pouvant dépasser 1379 kPa. Une surpression de l'outil peut mener à un éclatement, une opération anormale, un bris de l'outil ou de graves blessures. Utiliser seulement de l'air comprimé propre, sec, contrôlé à une pression nominale ou dans la plage de pression nominale tel qu'indiqué sur l'outil. Toujours vérifier avant d'utiliser l'outil que la source d'air est ajustée à la pression d'air nominale ou dans la plage de pression d'air nominale.
- Ne jamais utiliser d'oxygène, de dioxyde de carbone, de gaz combustible ou tout gaz en bouteille comme source d'air de l'outil. De tels gaz peuvent exploser et provoquer de graves blessures.

**AVIS** *Le compresseur d'air utilisé avec cet outil doit conformer aux exigences établies par l'American National Standards Institute Standard B19.3-1981; Safety Standard for Compressors for Process Industries. Contacter le fabricant du compresseur pour plus d'informations.*

**CONSERVER CES INSTRUCTIONS  
NE LES JETEZ PAS**

## Déballage

Dès que l'appareil est déballé, l'inspecter attentivement pour tout signe de dommages en transit. Vérifier s'il y a des pièces desserrées, manquantes ou endommagées. S'assurer de resserrer tous les raccords, boulons, etc. avant de le mettre en service. Vérifier pour s'assurer que tous les accessoires fournis sont inclus avec l'appareil. Pour toutes questions, pièces endommagées ou manquantes, appeler le 1-800-543-6400 pour le service à la clientèle.

### CONTENU

- ◆ Agrafeuse de 3/8 po (9,5 mm)
- ◆ Agrafes Arrow® T50®
- ◆ Cloueuse de pointes de vitrier
- ◆ 50,8 mm (2 po), attaches de calibre 18
- ◆ Mode d'emploi
- ◆ Carte de garantie
- ◆ Sac de transport
- ◆ Clés

### AUTRES ARTICLES NON INCLUS

- ◆ Compresseur (doit pouvoir maintenir au moins 483 kPa (60 lb/po<sup>2</sup>) lorsqu'on utilise l'outil)
- ◆ Tuyau d'air
- ◆ Petit outil pour débloquer
- ◆ Colle de frein-filet
- ◆ ANSI Z87 Protection oculaire
- ◆ Protection auditive et autre équipement de protection personnelle, si nécessaire

## Assemblage

Cet outil est fourni entièrement assemblé.

Les symboles **DANGER, AVERTISSEMENT, ATTENTION ET AVIS** ainsi que les instructions de ce manuel ne peuvent pas couvrir toutes les conditions et situations qui pourraient se produire. L'opérateur doit comprendre que le bon sens et des précautions sont des facteurs qui ne peuvent pas être inclus dans ces produits, mais doivent être fournis par l'opérateur.

## Glossaire

Familiarisez-vous avec ces termes avant d'utiliser l'appareil.

**ACTIVER (OUTIL)** — Provoquer le déplacement du(des) composant(s) de l'outil pour enfoncer l'attache.

**SYSTÈME D'ACTIVATION** — L'utilisation d'une gâchette, pointe de contact et/ou autre contrôle d'utilisation, séparément ou en combinaison ou séquence, pour activer l'outil.

**ARRIVÉE D'AIR** — L'ouverture de branchement d'alimentation d'air comprimé, normalement par un raccord fileté.

**ATTACHES :** — Cette agrafeuse utilise des agrafes Arrow T50 de 6,35 à 14,3 mm (1/4 à 9/16 po).

**CHARGEUR** — La partie de l'outil qui contient les attaches.

**PRESSION D'AIR MAXIMALE** — La pression d'air comprimé maximale permise, tel qu'indiqué par le fabricant pour utiliser l'outil.

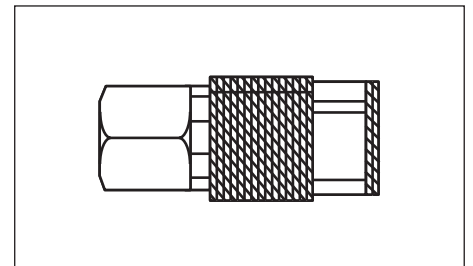
**kPa** — Mesure de la pression de la force de l'air. La sortie réelle en kPa se mesure par un manomètre sur le compresseur.

**RACCORD RAPIDE** — Un coupleur rapide conçu pour fonctionner en combinaison avec un bouchon rapide pour joindre facilement et rapidement un outil pneumatique en tuyau à air (*Voir Figure 2*).

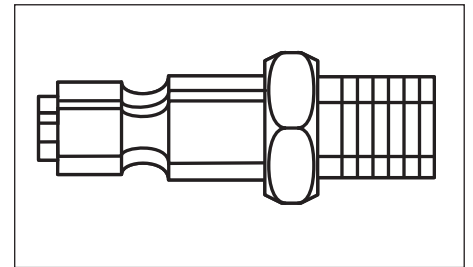
**BOUCHON RAPIDE** — Un bouchon rapide conçu pour fonctionner en combinaison avec un coupleur rapide pour joindre facilement et rapidement un outil pneumatique en tuyau à air (*Voir Figure 3*).

**RÉGULATEUR** — Un dispositif utilisé pour contrôler la pression d'air à un outil à air.

**COLLE DE FREIN-FILET** — Une colle de frein-filet appliquée aux filets des vis avant l'installation. Empêche les vis de se desserrer en utilisant l'outil.



**Figure 2 - Raccord Rapide**



**Figure 3 - Bouchon Rapide**

## Apprendre à connaître votre agrafeuse de rembourrage comme un professionnel

### Caractéristiques

#### DÉFLECTEUR D'ÉCHAPPEMENT AJUSTABLE

Cet outil est doté d'une fonction de déflecteur d'échappement ajustable. Ceci permet de rediriger l'échappement de l'outil dans toute position pratique pour l'utilisateur. Tourner le déflecteur dans toute direction voulue.

#### PRISE CONFORTABLE DE CAOUTCHOUC

Aide à maintenir une prise solide et évite la fatigue.

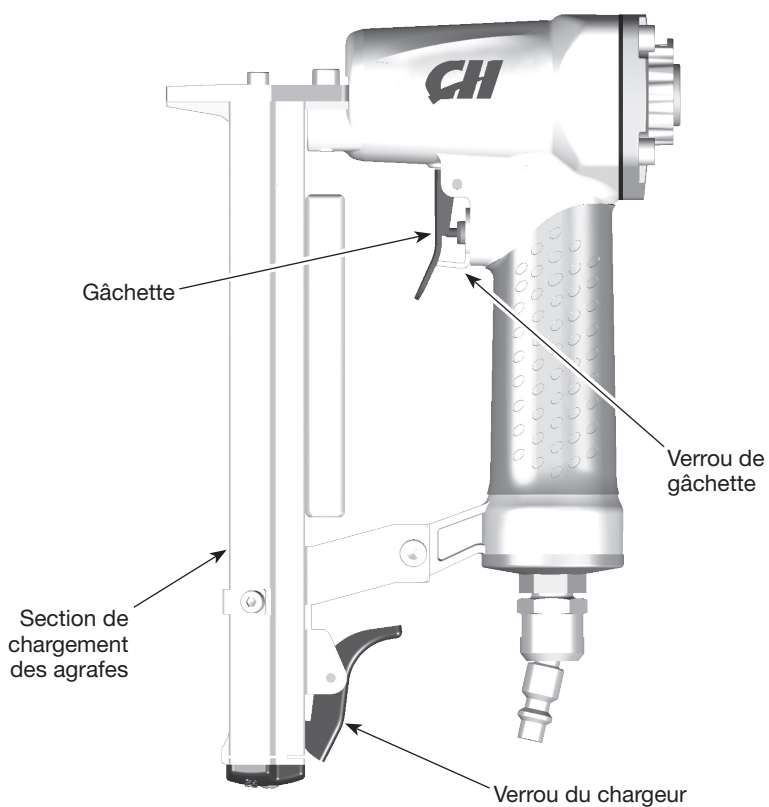
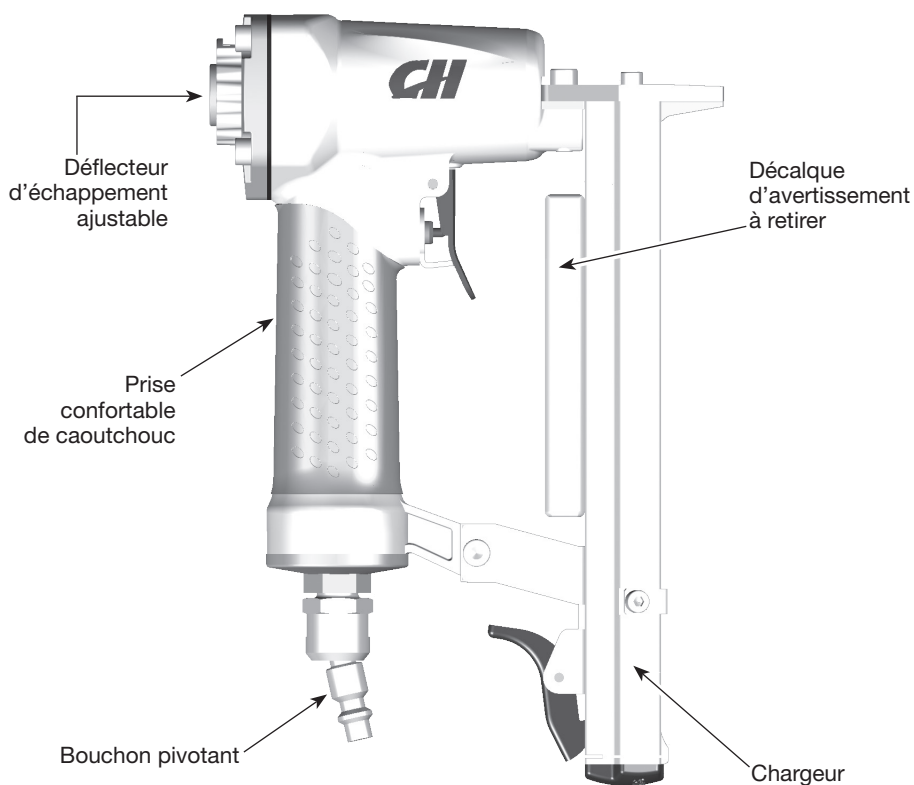


Figure 4 - Composants d'agrafeuse



**Installation**

**LUBRIFICATION**

Cette cloueuse **N'EXIGE** pas de lubrification pour une opération normale. Par contre, une lubrification **N'ENDOMMAGERA** pas l'outil.

**AVIS**

*Le compresseur d'air utilisé avec excessive.*


	414 kPa Min.
	690 kPa Max.

Tableau 1

**COMPOSANTS MINIMAUX REQUIS POUR LE RACCORD**

**COMPRESSEUR D'AIR :** Le compresseur doit pouvoir maintenir au moins 483 kPa (60 lb/po<sup>2</sup>) lorsqu'on utilise l'outil. Une alimentation d'air inadéquate peut mener à une perte de courant et à un entraînement inconsistant (voir tableau 1).

**RÉGULATEUR DE PRESSION :** Il faut un régulateur de pression pour contrôler la pression d'utilisation de l'outil entre 414 et 690 kPa (60 et 100 lb/po<sup>2</sup>).

**BOYAU D'ALIMENTATION D'AIR :** **TOUJOURS** utiliser des boyaux d'alimentation d'air avec une pression de service minimale égale à ou supérieure à la pression de la source de courant, ou 1 034 kPa (150 lb/po<sup>2</sup>), selon la valeur la plus élevée. Utiliser un tuyau d'air d'au moins 6,4 mm (1/4 po) pour les distances jusqu'à 15,24 m (50 pi). Utiliser des tuyaux d'air de 9,5 mm (3/8 po) pour les distances de 15,24 m (50 pi) ou plus (voir la figure 5 et le tableau 2).

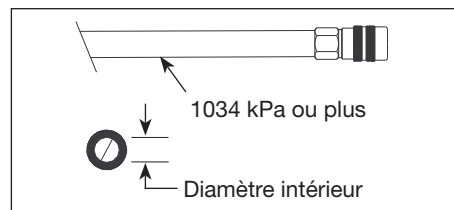


Figure 5 - Exigences du tuyau à air

**INSTRUCTIONS DE BRANCHEMENT DE L'OUTIL À L'ALIMENTATION D'AIR**

La figure 8 montre le branchement recommandé pour l'outil.

**REMARQUE :** Pour une meilleure performance, installer un bouchon rapide de 9,5 mm (3/8 po) (filets 1/4 po NPT) avec un diamètre intérieur de 8 mm (0,315 po) sur l'outil et un coupleur rapide de 9,5 mm (3/8 po) sur le tuyau d'air.

EXIGENCES DU TUYAU À AIR	
DIAMÈTRE	LONGUEUR D'ACHEMINEMENT
1/4 po	Moins de 15,24 m (50 pi)
3/8 po	Plus de ou égale à 15,24 m (50 pi)

Tableau 2

1. Avec l'interrupteur MARCHE/ARRÊT à la position d'ARRÊT (OFF), branchez le compresseur dans la prise de courant.
2. Fermer le régulateur de pression en tournant jusqu'au bout à gauche. Mettez l'interrupteur du compresseur à la position de MARCHE (ON) et laissez pomper jusqu'à la pression d'arrêt automatique.
3. Brancher le tuyau d'air à la sortie du régulateur. Ajuster le régulateur de pression en tournant vers la droite pour que la pression de sortie soit entre 414 à 690 kPa (60 à 100 lb/po<sup>2</sup>)
4. Charger les attaches dans l'outil (voir la section Charger / Décharger l'outil de la page 26).
5. Pointer l'outil dans une direction sans danger tout en installant au tuyau à air.
6. L'outil est prête à utiliser. Il faudra peut-être ajuster la pression de sortie pour avoir la profondeur d'attache appropriée.

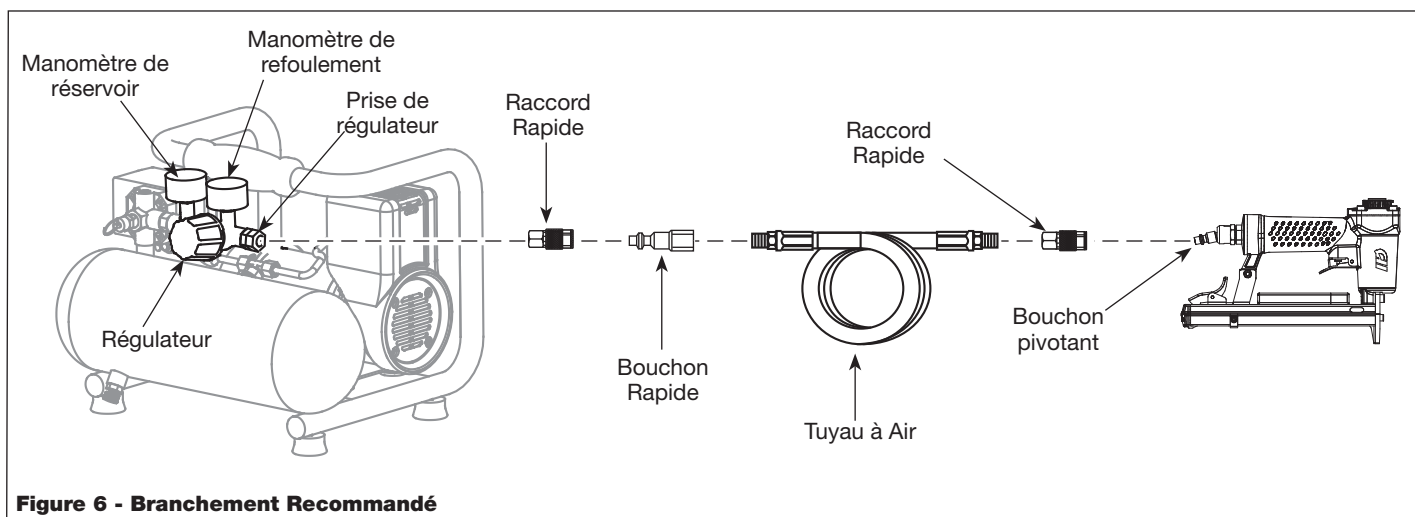


Figure 6 - Branchement Recommandé

## Installation (suite)

### CHARGER/DÉCHARGER L'OUTIL

Choisir le type d'attache à utiliser pour le projet. Il y a des attaches supplémentaires dans les centres de rénovations principaux.

#### Charger l'outil

Toujours **débrancher** l'outil de l'alimentation d'air **avant** de charger ou de décharger les attaches.

1. Enfoncer le verrou et reculer le couvercle du chargeur.
2. Insérer un bâtonnet d'agrafes Campbell Hausfeld ou l'équivalent (voir la section « Attaches ») dans le chargeur. S'assurer que les agrafes ne sont ni sales ni endommagées.
3. Enfoncer le couvercle du chargeur vers l'avant jusqu'à ce que le loquet s'engage.

#### Décharger l'outil

Toujours **débrancher** l'outil de l'alimentation d'air **avant** de charger ou de décharger les attaches.

1. Enfoncer le verrou et reculer le couvercle du chargeur.
2. Retirer les attaches.
3. Enfoncer le couvercle du chargeur vers l'avant jusqu'à ce que le loquet s'engage.

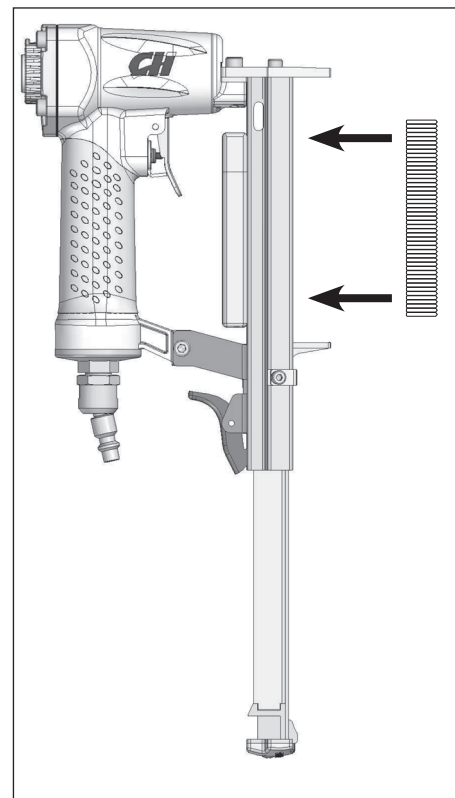


Figure 7 - Charger l'outil

## Fonctionnement

### MODE D'OPÉRATION

#### ⚠ AVERTISSEMENT

*Toujours déterminer le mode d'opération avant d'utiliser l'outil. Sinon, il y a risque de mort ou blessures graves.*

#### MODE DE GÂCHETTE SEULEMENT (AVEC VERROU DE GÂCHETTE)

L'outil est un dispositif à un seul actionneur. Ce mode exige que, lorsque le verrou de la gâchette n'est pas placé en mode sans danger, tirer la gâchette enfoncera une attache.

Après avoir vérifié qu'il n'y a pas d'attache dans l'outil, faire une vérification de sécurité du fonctionnement du verrou de gâchette activé pour éviter le déclenchement d'une attache de l'outil avant le rangement. Toujours débrancher de l'air comprimé lorsque l'appareil n'est pas utilisé.

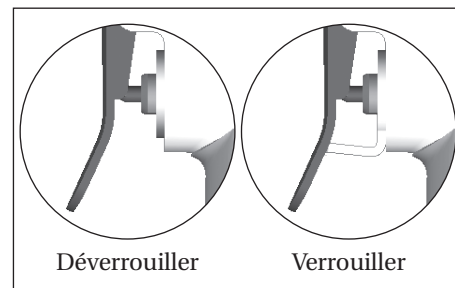


Figure 8

## Rangement

L'outil doit être rangée dans un endroit frais et sec.

## Entretien

### DÉBLOQUER L'OUTIL

1. Débrancher l'outil de l'alimentation d'air
2. Retirer tous les attaches du chargeur (Voir Charger/Décharger). Ne pas le faire pourrait mener à une éjection des attaches de l'avant de l'outil.
3. Enfoncer le verrou du chargeur (voir la section Charger/décharger l'agrafeuse).
4. Ouvrir le chargeur pour exposer l'attache bloquée.
5. Retirer l'attache bloquée, utilisant des pinces ou un tournevis si requis.
6. Charger les attaches.
7. S'assurer que la gâchette se déplace librement sans coller ni gripper.

### RÉPARATION DE L'OUTIL

Seul un personnel qualité doit réparer l'outil et il doit utiliser des pièces de rechange et des accessoires authentiques de Campbell Hausfeld, ou des pièces et accessoires d'une performance équivalente.

### PIÈCES DE RECHANGE



**AVERTISSEMENT** Utiliser seulement des pièces de rechange de Campbell Hausfeld. La performance de l'outil, la sécurité et la durabilité pourraient être réduites avec des pièces inappropriées. En commandant des pièces, spécifier le numéro de pièce.

### PROCÉDURE D'ASSEMBLAGE POUR LES JOINTS

En réparant une cloueuse, les pièces internes doivent être nettoyées et lubrifiées. Il faut utiliser le Parker O-lube ou un produit équivalent sur tous les joints toriques. Chaque joint torique doit être recouvert de O-lube avant l'assemblage. Il faut utiliser une petite quantité d'huile sur toutes les surfaces et pivots mobiles.

### SERVICE TECHNIQUE

Pour obtenir de l'information sur le fonctionnement ou la réparation de ce produit, appeler le 1-800-543-6400.

### INFORMATION SUR LES ATTACHES INTERCHANGEABLES

Les attaches utilisées dans l'agrafeuse de 3/8 po (9,5 mm) de Campbell Hausfeld CHN71600 incluent :

- Agrafes Arrow® T50® ou attache équivalente avec les dimensions approximatives illustrées dans la figure 10.

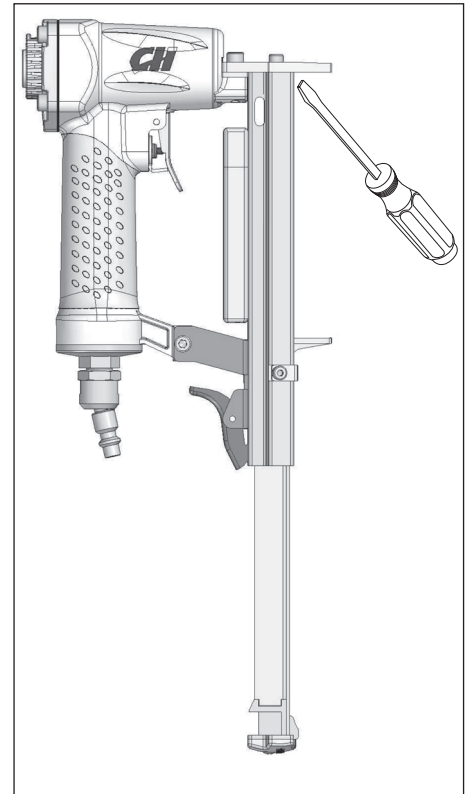


Figure 9

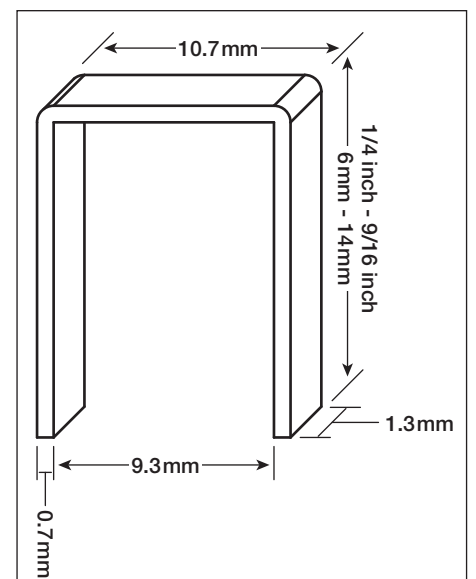


Figure 10



## Guide de dépannage

### **AVERTISSEMENT**

Cessez l'utilisation de l'outil immédiatement en cas des problèmes suivants, car il résultat risque de blessures graves. Toutes réparations doivent être effectuées par un Technicien Qualifié ou par un Centre De Service Autorisé.

SYMPTÔME	CAUSE(S) POSSIBLE(S)	ACTION CORRECTIVE
Fuite d'air à la soupape de gâchette	Joint toriques endommagés dans le boîtier de soupape de gâchette	Remplacer les joints toriques
Fuite d'air entre le boîtier et la buse	<ol style="list-style-type: none"> <li>1. Joint toriques endommagés et / ou garnitures</li> <li>2. Dommages au butoir</li> </ol>	<ol style="list-style-type: none"> <li>1. Remplacer les joints toriques et / ou garnitures</li> <li>2. Remplacer le butoir</li> </ol>
Fuite d'air entre le boîtier et la buse	<ol style="list-style-type: none"> <li>1. Vis desserrées</li> <li>2. Joint d'étanchéité endommagé</li> </ol>	<ol style="list-style-type: none"> <li>1. Resserrer les vis</li> <li>2. Remplacer le joint d'étanchéité</li> </ol>
Fuite d'air entre le boîtier et le chapeau	<ol style="list-style-type: none"> <li>1. Butoir usé</li> <li>2. Poussière dans la pièce de la buse</li> <li>3. La saleté ou les dommages empêchent les attaches ou le poussoir de se déplacer librement dans le chargeur</li> <li>4. Ressort de poussoir endommagé</li> <li>5. Circulation d'air inadéquate à l'outil</li> <li>6. Anneau de piston usé sur le piston ou manque de lubrification</li> <li>7. Joint toriques endommagés sur la soupape de gâchette</li> <li>8. Fuites d'air</li> </ol>	<ol style="list-style-type: none"> <li>1. Remplacer le butoir</li> <li>2. Nettoyer la voie d'entraînement</li> <li>3. Nettoyer le chargeur</li> <li>4. Remplacer le ressort</li> <li>5. Vérifier le raccord, le boyau ou le compresseur</li> <li>6. Remplacer les joints d'étanchéité du piston</li> <li>7. Remplacer les joints toriques</li> <li>8. Resserrer les vis et les raccords</li> </ol>
L'outil tourne lentement ou a perdu du courant	<ol style="list-style-type: none"> <li>1. L'outil non lubrifiée suffisamment</li> <li>2. Ressort brisé dans le bouchon de la bouteille</li> <li>3. Le port d'échappement dans le bouchon est bloqué</li> </ol>	<ol style="list-style-type: none"> <li>1. Lubrifier l'outil</li> <li>2. Remplacer le ressort</li> <li>3. Remplacer les pièces internes endommagées</li> </ol>
L'outil passe l'entraînement d'attache	<ol style="list-style-type: none"> <li>1. Le guide d'entraînement est usé</li> <li>2. Les attaches ne sont pas du bon type.</li> <li>3. Les attaches sont pliés.</li> <li>4. Le chargeur ou les vis de la buse sont desserrés</li> <li>5. L'entraîneur est endommagé.</li> <li>6. Les attaches sont mal chargés.</li> </ol>	<ol style="list-style-type: none"> <li>1. Remplacer le guide</li> <li>2. Utiliser seulement les attaches recommandés</li> <li>3. Remplacer par des attaches non endommagés</li> <li>4. Resserrer les vis</li> <li>5. Remplacer l'entraînement</li> <li>6. Revoir la section Charger / Décharger du manuel</li> </ol>

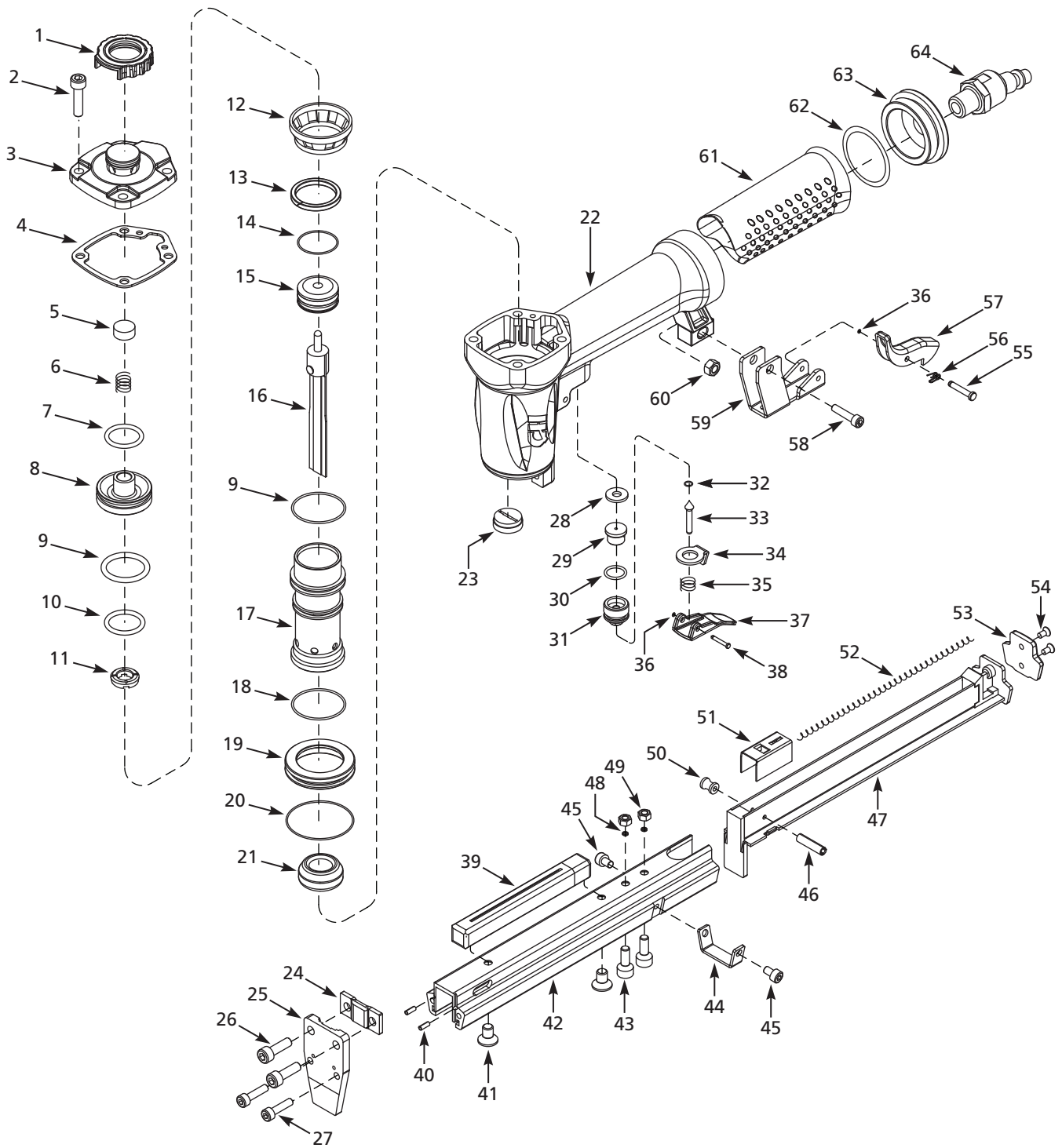
**Pour pièces de rechange ou assistance technique, appeler 1-800-543-6400**

*S'il vous plaît fournir l'information suivante :*

- Numéro de modèle
- Code imprimé sur l'outil
- Description de la pièce et son numéro

*Adresser toute correspondance à :*

Campbell Hausfeld  
 Attn: Customer Service  
 100 Production Drive  
 Harrison, OH 45030 U.S.A.



**Figure 11 – Illustration des pièces de réparation pour toutes les agrafeuses pneumatiques, modèle CHN71600AV**

## Liste de pièces de rechange pour l'outil à clous sans tête

No. de Réf.	Description	Numéro de Pièce	Qté.
1	Défecteur d'échappement	—	1
2	Vis d'assemblage à tête creuse - M5 x 14	*	4
3	Chapeau de culasse	—	1
4	Joint d'étanchéité	■	1
5	Garniture étanche d'échappement	■	1
6	Ressort de soupape	■	1
7	Joint torique	■	1
8	Soupape	—	1
9	Joint torique	■	2
10	Joint torique	■	1
11	Coussin	■	1
12	Collier	—	1
13	Anneau de piston	▲	1
14	Joint torique	▲	1
15	Piston	▲	1
16	Lame d'entraînement	▲	1
17	Cylindre	—	1
18	Joint torique	■	1
19	Plaque de restricteur	—	1
20	Joint torique	■	1
21	Pare-chocs	■	1
22	Corps	—	1
23	Buse	■	1
24	Plaque	—	1
25	Guide d'entraînement	—	1
26	Vis d'assemblage à tête creuse - M5 x 18	*	2
27	Vis d'assemblage à tête creuse - M4 x 16	*	2
28	Joint	■	1
29	Tête de soupape de gâchette	—	1
30	Joint torique	■	1
31	Soupape de gâchette	—	1
32	Joint torique	■	1
33	Tige de soupape de gâchette	—	1
34	Sécurité de gâchette	—	1
35	Ressort de gâchette	■	1
36	Rondelle fendue	—	2
37	Gâchette	—	1
38	Goupille	—	1
39	Boîtier à décalque de rappel	—	1
40	Goupille à ressort	—	2

No. de Réf.	Description	Numéro de Pièce	Qté.
41	Vis - M4 x 10	*	2
42	Chargeur	—	1
43	Vis d'assemblage à tête creuse - M4 x 10	*	2
44	Pièce d'arrêt	—	1
45	Vis d'assemblage à tête creuse - M4 x 6	*	2
46	Goupille à ressort	—	1
47	Porte de chargeur	—	1
48	Rondelle	—	2
49	Rondelle - M4	*	2
50	Poulie	—	1
51	Poussoir	—	1
52	Ressort de poussoir	■	1
53	Plaque de protection	—	1
54	Vis - M3 x 6	*	2
55	Goupille-ressort	—	1
56	Ressort	■	1
57	Clenche du chargeur	—	1
58	Vis d'assemblage à tête creuse - M5 x 20	*	1
59	Fixation du chargeur	—	1
60	Écrou - M5	*	1
61	Prise manuelle	—	1
62	Joint torique	■	1
63	Chapeau d'extrémité d'entrée	—	1
64	Fiche pivotante de 1/4 - 18 i/m (m)	SV567600AV	1

## NÉCESSAIRES DE PIÈCES DE RECHANGE

- ▲ Assemblage de lame d'entraînement SKN23500AV
- Trousse de reconstruction complète SKN23800AV
- Pas disponible
- \* Article normal de quincaillerie - disponible à votre quincaillerie locale

**Mémento:** Gardez votre preuve datée d'achat à fin de la garantie! Joignez-la à ce manuel ou classez-la dans un dossier pour plus de sécurité.

## Garantie Limitée

1. DURÉE: À partir de la date d'achat par l'acheteur original comme suit - Un An.
2. GARANTIE ACCORDÉE PAR (GARANT): Campbell Hausfeld/Scott Fetzer Company, 100 Production Drive, Harrison, Ohio, 45030, Téléphone: (800) 543-6400
3. BÉNÉFICIAIRE DE CETTE GARANTIE (ACHETEUR): L'acheteur original (sauf en cas de revente) du produit Campbell Hausfeld.
4. PRODUITS COUVERTS PAR CETTE GARANTIE: Cette agrafeuse ou cloueuse Campbell Hausfeld.
5. COUVERTURE DE LA PRÉSENTE GARANTIE: Défauts importants des matériaux et de main d'oeuvre qui se produisent durant la période de garantie à l'exception de ce qui est noté plus bas.
6. LA PRÉSENTE GARANTIE NE COUVRE PAS:
  - A. Les garanties implicites, y compris celles de commercialisabilité et D'ADAPTION À UNE FONCTION PARTICULIÈRE SONT LIMITÉES À PARTIR DE LA DATE D'ACHAT INITIALE TELLE QU'INDIQUÉE DANS LA SECTION DURÉE. Si ce produit est utilisé pour une fonction commerciale, industrielle ou pour la location, la durée de la garantie sera quatre-vingt-dix (90) jours à compter de la date d'achat. Quelques Provinces (États) n'autorisent pas de limitations de durée pour les garanties implicites. Les limitations précédentes peuvent donc ne pas s'appliquer.
  - B. TOUT DOMMAGE, PERTE OU DÉPENSE FORTUIT OU INDIRECT POUVANT RÉSULTER DE TOUT DÉFAUT, PANNE OU MAUVAIS FONCTIONNEMENT DU PRODUIT CAMPBELL HAUSFELD. Quelques Provinces (États) n'autorisent pas l'exclusion ni la limitation des dommages fortuits ou indirects. La limitation ou exclusion précédente peut donc ne pas s'appliquer.
  - C. Toute panne résultant d'un accident, d'une utilisation abusive, de la négligence ou d'une utilisation ne respectant pas les instructions données dans le(s) manuel(s) accompagnant le produit. Un accident, l'utilisation abusive par l'acheteur, la négligence ou le manque de faire fonctionner les produits selon les instructions comprend aussi l'enlèvement ou la modification de n'importe quel appareil de sûreté. Si ces appareils de sûreté sont enlevés ou modifiés, la garantie sera annulée.
  - D. Réglages normaux qui sont expliqués dans le(s) manuel(s) d'utilisation accompagnant le produit.
  - E. Articles ou services qui sont exigés pour l'entretien normal du produit; par ex. joints toriques, ressorts, butées, filtres de débris, lames d'entraînement, joints d'étanchéité, emballages ou sceaux, lubrifiants ou toute autre pièce consommable non spécifiquement indiquée. Ces articles ne seront couverts que pendant quatre-vingt-dix (90) jours de la date d'achat original. Les articles soulignés sont garantis contre les défauts de matériaux et de main d'œuvre seulement.
7. RESPONSABILITÉS DU GARANT AUX TERMES DE CETTE GARANTIE: Réparation ou remplacement, au choix du Garant, de produits ou composants défectueux, ont connu une défaillance ou qui ne sont pas conformes pendant la durée précise de validité de la garantie.
8. RESPONSABILITÉS DE L'ACHETEUR AUX TERMES DE CETTE GARANTIE:
  - A. Fournir une preuve d'achat datée et un état d'entretien.
  - B. Appelez Campbell Hausfeld (800) 543-6400 pour obtenir vos options de service sous garantie. Les frais de transport sont la responsabilité de l'acheteur.
  - C. Utilisation et entretien du produit avec un soin raisonnable, ainsi que le décrit le(s) manuel(s) d'utilisation.
9. RÉPARATION OU REMPLACEMENT EFFECTUÉ PAR LE GARANT AUX TERMES DE LA PRÉSENTE GARANTIE: La réparation ou le remplacement sera prévu et exécuté en fonction de la charge de travail dans le centre de service et dépendra de la disponibilité des pièces de rechange.

Cette Garantie Limitée s'applique aux É.-U., au Canada et au Mexique seulement et vous donne des droits juridiques précis. L'acheteur peut également jouir d'autres droits qui varient d'une Province, d'un État ou d'un Pays à l'autre.





# Grapadora de 9,5 mm (3/8 pulg.)

Manual de Instrucciones y Lista de Piezas

**CHN71600**



ENGLISH: Page 1  
FRANÇAISE: Page 17

IN729800AV 3/10  
© 2010 Campbell Hausfeld/Scott Fetzer



LE FACILITA TRABAJAR COMO UN PROFESIONAL

[chpower.com](http://chpower.com)

## Índice

---

Descripción.....	S-35	Para cargar y descargar la herramienta.....	S-42
Especificaciones.....	S-35	Para cargar la herramienta.....	S-42
Medidas de seguridad.....	S-36	Para descargar la herramienta..	S-42
Símbolos de seguridad.....	S-36	Funcionamiento.....	S-42
Importantes instrucciones de seguridad.....	S-36	Modo de funcionamiento.....	S-42
Instrucciones sobre peligro de incendios, choque eléctrico o lesiones personales.....	S-36	Modo de gatillo únicamente (con seguro para el gatillo).....	S-42
Proposición 65 de California.....	S-36	Almacenamiento.....	S-43
General.....	S-36	Mantenimiento.....	S-43
Área de trabajo.....	S-36	Como desobstruir la herramienta	S-43
Seguridad personal.....	S-37	Reparación de la herramienta....	S-43
Seguridad eléctrica.....	S-37	Piezas de repuesto.....	S-43
Uso y cuidado de la herramienta.....	S-37	Procedimiento de ensamblaje para los sellos.....	S-43
Servicio.....	S-38	Servicio técnico.....	S-43
Suministro de aire.....	S-38	Información de intercambio de sujetadores.....	S-43
Desempaque.....	S-38	Guía de resolución de problemas ..	S-45
Contenidos.....	S-38	Lista de piezas de repuesto para la clavadora	
Artículos adicionales no incluidos.....	S-38	de puntillas.....	S-46 - S-47
Ensamblaje.....	S-38	Garantía.....	S-48
Glosario.....	S-39		
Conozca su grapadora de tapicería como un profesional.....	S-40		
Características.....	S-40		
Deflector ajustable del orificio de salida.....	S-40		
Configuración.....	S-41		
Lubricación.....	S-41		
Componentes mínimos necesarios para la conexión.....	S-41		
Instrucciones para la conexión de la herramienta al suministro de aire.....	S-41		
Requerimientos para la manguera de aire.....	S-41		

---

### Por información sobre piezas, productos y servicios

**LLAME:** Atención al cliente al 1-800-543-6400

**DIRIJA TODA LA CORRESPONDENCIA A:** Campbell Hausfeld  
Attn: Customer Service  
100 Production Drive  
Harrison, OH 45030 U.S.A.



# Grapadora de 9,5 mm (3/8 pulg.)



## Descripción

Esta grapadora está diseñada para tapicería, contramarcos decorativos y ensamblaje de marcos de cuadros. Las características incluyen: práctico cargador con carga en la parte inferior con capacidad de hasta 150 grapas, libre de aceite, cargador en línea, cómodo mango de goma, conector giratorio, seguro del gatillo y salida de aire ajustable.

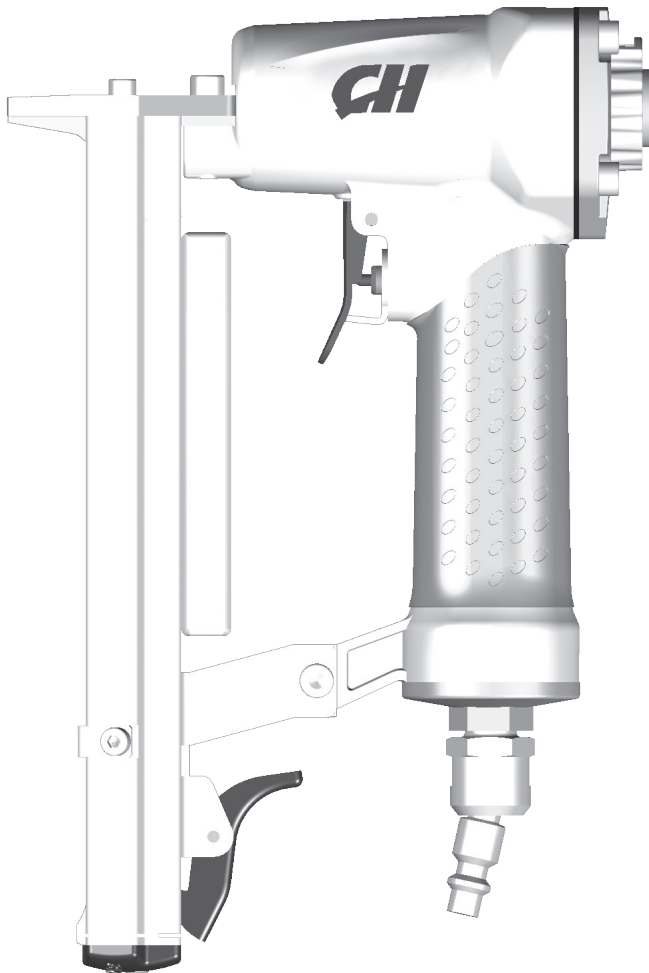


Figura 1 - CHN71600 Grapadora

## Especificaciones

### Modelo CHN71600

**Requiere:** 0,2 SCFM prom. con 10 sujetadores por minuto a 6,21 bar (90 psi)

**Entrada de Aire:**  
0,64 cm NPT (1/4 pulg.)

**Tamaños de los sujetadores:**  
Grapas Arrow® T50® flecha de 6,4 mm (1/4 pulg.) a 14,3 mm (9/16 pulg.) (consulte la sección de intercambio de sujetador en la página S-43 para obtener más información)

**Capacidad del cargador:**  
150 sujetadores por carga

**Peso:** 0,91 kg (2 lbs.)

**Longitud:** 23,50 cm (9-1/4 inches)

**Altura:** 15,24 cm (6 inches)

**Presión Máxima:** 6,90 bar

**Rango de la Presión:** 4,14 bar - 6,90 bar

Localice el número de modelo y el código de fecha en el cargador y/o cuerpo de la herramienta. Regístrelo a continuación:

Nº de modelo: \_\_\_\_\_

Código de fecha: \_\_\_\_\_

Guarde estos números para referencia futura.

## Medidas de Seguridad

Este manual contiene información que es muy importante que se conozca y comprenda. Esta información se proporciona con fines de SEGURIDAD y para EVITAR PROBLEMAS CON EL EQUIPO.

Para ayudar a reconocer esta información, observe los siguientes símbolos.

**▲ PELIGRO** Peligro indica una situación inminentemente peligrosa, que si no se evita, dará como resultado la muerte o lesiones graves.

**▲ ADVERTENCIA** Advertencia indica una situación potencialmente peligrosa, que si no se evita, PODRÍA ocasionar la muerte o lesiones graves.

**▲ PRECAUCION** Precaución indica una situación potencialmente peligrosa, que si no se evita, PUEDE dar como resultado lesiones leves o moderadas.

**AVISO** Aviso indica una información importante, que de no seguirla, le podría ocasionar daños al equipo.

NOTA: Información que requiere atención especial.

## Símbolos de seguridad

Los siguientes símbolos de seguridad aparecen a lo largo de este manual para advertirle de importantes peligros y precauciones de seguridad.



Use protección para los ojos y máscara



Lea primero el manual



Riesgo de lesiones personales



Riesgo de caída



Use protección para los ojos



Use protección para los oídos



Riesgo de incendio



Riesgo de explosión



Riesgo de choque eléctrico

## Importantes Instrucciones De Seguridad

### INSTRUCCIONES EN REFERENCIA AL PELIGRO DE INCENDIOS, CHOQUE ELÉCTRICO O LESIONES PERSONALES

Este manual contiene información sobre seguridad, funcionamiento y mantenimiento. Si tiene preguntas, llame al 1-800-543-6400 para obtener asistencia al cliente.

**▲ ADVERTENCIA** Cuando se usen herramientas, siempre se deberán seguir precauciones básicas, incluyendo las siguientes:

#### PROPOSICIÓN 65 DE CALIFORNIA

**▲ ADVERTENCIA** Este producto, o su cordón eléctrico, puede contener productos químicos conocidos por el estado de California como causantes de cáncer y defectos de nacimiento u otros daños reproductivos. Lave sus manos después de usar.

**▲ ADVERTENCIA** Cuando corta lija, taladra o pule materiales como por ejemplo madera, pintura, metal, hormigón, cemento, u otro tipo de mampostería se puede producir polvo. Con frecuencia este polvo contiene productos químicos que se conocen como causantes de cáncer, defectos congénitos u otros daños reproductivos. Use equipo de protección.



#### GENERAL

- Para reducir el riesgo de choque eléctrico, incendio y lesiones personales, lea todas las instrucciones antes de usar la herramienta. Si no respeta las advertencias, los riesgos y las recomendaciones, eso podría resultar en la MUERTE o en LESIONES GRAVES.
- Familiarícese con los controles y el uso adecuado del equipo. Siga todas las instrucciones. Póngase en contacto con su representante Campbell Hausfeld si tiene alguna pregunta.
- Sólo se les debe permitir usar esta unidad a aquellas personas bien familiarizadas con estas reglas de manejo seguro.



**▲ ADVERTENCIA** No opere la herramienta ni permita que otros la operen si las etiquetas de advertencia están ilegibles. Éstas se encuentran en el cargador o el cuerpo de la herramienta.

**▲ ADVERTENCIA** Siempre asuma que la herramienta tiene sujetadores. Respete la herramienta como un implemento de trabajo; no juegue con ella. Siempre mantenga a los demás a una distancia segura del área de trabajo, en caso de una descarga accidental de sujetadores. No apunte con la herramienta hacia usted o hacia otra persona, ya sea que contenga o no sujetadores. El disparo accidental de la herramienta podría resultar en la muerte o en graves lesiones personales.

**▲ PRECAUCION** No haga ninguna modificación a la herramienta sin obtener primero la aprobación por escrito de Campbell Hausfeld. No use la herramienta si le faltan alguna de las tapas protectoras o si éstas han sido modificadas. No use la herramienta como un martillo. Se pueden producir lesiones personales o daños a la herramienta.

**AVISO** Limpie y cheque todas las mangueras de suministro de aire conexiones antes de conectar la herramienta al compresor. Reemplace las mangueras y conexiones que estén dañadas o desgastadas. El rendimiento de la herramienta o su durabilidad podrían reducirse.

#### ÁREA DE TRABAJO

- Mantenga el área de trabajo limpia y bien iluminada. Los bancos desordenados y las áreas oscuras aumentan el riesgo de choque eléctrico, incendio y lesiones personales.
- No haga funcionar la herramienta en entornos explosivos, como por ejemplo cuando haya polvo, líquidos o gases inflamables. La herramienta puede crear chispas y provocar la ignición de polvo o vapores.
- Mantenga alejados a los observadores, niños y visitantes mientras hace funcionar la herramienta. Las distracciones pueden dar como resultado la pérdida del control de la herramienta.



## Importantes Instrucciones De Seguridad (Continuación)

### SEGURIDAD PERSONAL

- a. **Manténgase alerta.** Mire lo que está haciendo y use el sentido común cuando haga funcionar la herramienta. No use la herramienta si está cansado o bajo la influencia de drogas, alcohol o medicamentos. Un momento de desatención mientras hace funcionar la herramienta aumenta el riesgo de lesiones personales.
- b. **Vístase adecuadamente.** No use alhajas ni vestimenta suelta. Sujétese el cabello largo. Mantenga el cabello, vestimenta y guantes alejados de las piezas móviles. La vestimenta suelta, las alhajas o el cabello largo aumentan el riesgo de lesiones personales como resultado de quedar atrapados en las piezas móviles.
- c. **No intente alcanzar lugares alejados.** Mantenga un buen soporte y equilibrio en todo momento. Un soporte y equilibrio adecuados permiten un mejor control de la herramienta en situaciones inesperadas.
- d. **Use equipo de seguridad.** Se debe usar una máscara para polvo, calzado de seguridad antideslizante y casco para las condiciones que se apliquen.



**ADVERTENCIA** Asegurarse de que la herramienta se use únicamente cuando el operador y todo el resto del personal en el área de trabajo estén usando equipo de protección ocular ANSI Z87 y demás equipo de protección de cabeza, oídos y pies. Pueden ocasionarse lesiones graves o permanentes de ojos y oídos.



e. **Use siempre una protección para el oído cuando use la herramienta.** La exposición prolongada a ruido de alta intensidad puede causar pérdida de audición.



f. **No ate la manguera ni la herramienta a su cuerpo.** Adjunte la manguera a la estructura para reducir el riesgo de pérdida de equilibrio si la manguera se cambia de posición.

g. **Siempre asuma que la herramienta contiene sujetadores.** No apunte con la herramienta hacia usted o hacia otra persona, ya sea que contenga sujetadores o no.



**ADVERTENCIA** No deje que la herramienta se caiga ni la tire. Ésto podría dañarla o convertirla en algo peligroso de usar. En caso de que la herramienta se haya caído o la hayan tirado, revísela con cuidado a ver si está doblada o rota, si tiene alguna pieza dañada o tiene fugas de aire. DEJE de trabajar y repárela antes de usarla o podría ocasionarle heridas graves.

**PRECAUCION** Evite trabajar con esta clavadora por largos períodos. Deje de usar la herramienta si siente dolor en las manos o en los brazos.

**PRECAUCION** Sostenga la herramienta por la superficie de sujeción aislada cuando realice una operación en la que la herramienta o el sujetador puedan entrar en contacto con un cableado oculto. Al entrar en contacto con un cable con corriente las piezas metálicas expuestas de la herramienta conducirán la electricidad y el usuario recibirá un choque eléctrico.

**ADVERTENCIA** Nunca coloque las manos ni ninguna otra parte del cuerpo en el área de descarga de la herramienta. La herramienta podría disparar un sujetador y podría causar la muerte o una lesión personal grave.



### SEGURIDAD ELÉCTRICA

**ADVERTENCIA** El extremo delantero de la herramienta puede conducir corriente si la herramienta entra en contacto con cables con corriente dentro de la pared. PARA EVITAR CHOQUES ELÉCTRICOS ACCIDENTALES, SOSTENGA LA HERRAMIENTA ÚNICAMENTE POR EL MANGO DE SUJECIÓN SUAVE.



### USO Y CUIDADO DE LA HERRAMIENTA

a. **No fuerce la herramienta.** Use la herramienta correcta para la aplicación. La herramienta correcta hará el trabajo mejor y en forma más segura a la velocidad para la cual fue diseñada.

**ADVERTENCIA** Desconecte la herramienta del suministro de aire antes de hacer cualquier ajuste, realizar el mantenimiento de la herramienta, eliminar obstrucciones, dejar el área de trabajo, cargar o descargar la herramienta. Estas medidas de precaución reducen el riesgo de lesiones a las personas.

b. **Cuando no esté en uso, guarde la herramienta fuera del alcance de los niños y otras personas no capacitadas.** Una herramienta es peligrosa cuando está en manos de usuarios inexpertos.

c. **Cuide su herramienta.** Una herramienta mantenida adecuadamente reduce el riesgo de problemas y es más fácil de controlar.

d. **Use solo los sujetadores que se enumeran en la sección "Información de intercambio de sujetadores" en la página 48.** Los sujetadores no identificados por el fabricante de la herramienta para ser usados con esta herramienta pueden resultar en un riesgo de lesiones personales o daño a la herramienta cuando se usen en esta herramienta.

e. **Trabaje siempre en un área bien ventilada. Use una máscara para polvo aprobada por OSHA.**

**ADVERTENCIA** Desconecte siempre la herramienta de la fuente de energía cuando no la esté atendiendo, cuando le esté realizando mantenimiento o reparaciones, desobstruyéndola, cargándola, descargándola o moviéndola a un nuevo sitio.

**ADVERTENCIA** Siempre ajuste la herramienta con un conector o acoplador de mangueras colocado en o cerca de la herramienta de un modo tal que se descargue todo el aire comprimido en la herramienta en el momento en que se desconecte el conector o el acoplador de mangueras. No use una válvula de retención ni ningún otro conector que permita que el aire permanezca en la herramienta. Eso puede resultar en muerte o graves lesiones personales.

**ADVERTENCIA** Nunca transporte la herramienta sosteniéndola por la manguera de aire ni tire de la manguera para mover la herramienta o un compresor. Mantenga las mangueras alejadas del calor, aceite y bordes filosos. Cambie las mangueras que estén dañadas, debilitadas o desgastadas. Podrían provocarse daños a la herramienta o lesiones personales.

**ADVERTENCIA** No clave un sujetador encima de otros sujetadores. El sujetador podría rebotar y causar la muerte o una grave herida punzante.

f. **Esta herramienta NO debe modificarse ni usarse para ninguna aplicación que no sea la aplicación para la cual fue diseñada.**

g. **No despegue ninguna etiqueta de la herramienta.**

## Importantes Instrucciones De Seguridad (Continuación)

- h. **No modifique ni altere la herramienta ni ninguna de sus piezas. No use la herramienta si se ha quitado o alterado alguna protección.** No use la herramienta como martillo. Podrían provocarse daños a la herramienta o lesiones personales.

### ⚠ PELIGRO

*No use ningún tipo de gas inflamable ni oxígeno como fuente de energía para la herramienta. Use únicamente aire comprimido filtrado, lubricado y regulado. El uso de un gas comprimido en vez de aire comprimido puede provocar que la herramienta explote, lo cual puede ocasionar la muerte o graves lesiones personales.*

### ⚠ PELIGRO

*Nunca use gasolina ni ningún otro líquido inflamable para limpiar la herramienta. Nunca use la herramienta cuando haya líquidos o gases inflamables. Los vapores podrían ser encendidos por una chispa y provocar una explosión, la cual dará como resultado la muerte o lesiones personales graves.*

- i. Evite usar la herramienta cuando el cargador esté vacío. La clavadora podría desgastarse de forma acelerada.

### ⚠ PELIGRO

*No toque el gatillo a menos que esté clavando. Nunca conecte la línea de aire a la herramienta ni transporte la misma mientras esté tocando el gatillo. La herramienta podría disparar un sujetador lo cual causará la muerte o una lesión personal grave.*

### SERVICIO

- El servicio de la herramienta debe ser realizado sólo por personal de reparaciones calificado.
- Al realizarle un servicio a la herramienta, utilice únicamente piezas de repuesto idénticas. Use sólo piezas autorizadas.
- Use sólo los lubricantes que el fabricante proporciona con la herramienta.

### ⚠ PRECAUCION

*Desconecte la fuente de suministro de aire y elimine la tensión del disparador antes de tratar de sacar cualquier sujetador atascado, ya que la herramienta podría disparar un sujetador por el frente. Ésto podría ocasionarle heridas.*

### SUMINISTRO DE AIRE

- Nunca conecte a un suministro de aire capaz de exceder las 13,79 bar.** Someter la herramienta a presión excesiva puede resultar en una explosión, funcionamiento anormal, daños a la herramienta o graves lesiones personales. Use sólo aire comprimido limpio, seco y regulado a la presión de funcionamiento o dentro del rango de presiones indicado en la herramienta. Antes de usar la herramienta, verifique siempre que el suministro de aire haya sido regulado a la presión de funcionamiento o esté dentro del rango de presiones indicadas.
- No use nunca oxígeno, dióxido de carbono, gases combustibles o ningún gas en botellas como suministro de aire para la herramienta.** Tales gases puede explotar y causar graves lesiones personales.

### AVISO

*Los compresores de aire usados para suministrarle aire a la herramienta deben cumplir los requerimientos establecidos por la organización norteamericana ANSI en el código B19.3-1991; sobre seguridad y estándares para compresores de aire industriales. Contacte al fabricante de su compresor de aire para mayor información.*

### GUARDE ESTAS INSTRUCCIONES – NO LAS DESECHE

### Desempaque

Después de desempacar la unidad, inspecciónela cuidadosamente para detectar cualquier daño que pueda haber ocurrido durante el envío. Verifique que no haya piezas sueltas, faltantes ni dañadas. Asegúrese de ajustar cualquier accesorio, tornillos, etc., antes de hacer funcionar la unidad. Asegúrese de que todos los accesorios proporcionados vengan con la unidad. En caso de que tenga preguntas, o de que haya piezas dañadas o faltantes, llame a 1-800-543-6400 para obtener asistencia al cliente.

### CONTENIDOS

- ◆ Grapadora de 9,5 mm (3/8 pulg.)
- ◆ Grapas Arrow® T50®
- ◆ Clavadora de puntillas
- ◆ Sujetadores calibre 18 de 5 cm (2 pulg.)
- ◆ Instrucciones de funcionamiento
- ◆ Tarjeta de garantía
- ◆ Bolsa para transporte
- ◆ Llaves

### ARTÍCULOS ADICIONALES NO INCLUIDOS

- ◆ Compresor (debe ser capaz de mantener un mínimo de 4,83 bar (60 psi) cuando se usa la herramienta)
- ◆ Manguera de aire
- ◆ Herramienta pequeña para eliminar obstrucciones
- ◆ Pegamento fijador de roscas
- ◆ Protección para los ojos ANSI Z87
- ◆ Debe usarse protección auditiva y otros dispositivos de protección personal

### Ensamblaje

Esta herramienta viene completamente ensamblada.

Los símbolos de PELIGRO, ADVERTENCIA, PRECAUCIÓN, y AVISO y las instrucciones en este manual no pueden posiblemente cubrir todas las condiciones y situaciones posibles que puedan presentarse. El usuario debe entender que las precauciones y el sentido común son factores que no pueden incorporarse en este producto: es el usuario mismo quién debe contribuirlos.

## Glosario

Familiarícese con estos términos antes de poner la unidad en funcionamiento.

**ACTIVAR (HERRAMIENTA)** — Producir el movimiento del (de los) componente(s) de la herramienta diseñado(s) para impulsar el sujetador.

**SISTEMA DE ACTIVACIÓN** — El uso de un gatillo, elemento de contacto de trabajo (WCE) y/o otro control de funcionamiento, de modo independiente, en combinación o en secuencia, para activar la herramienta.

**ENTRADA DE AIRE** — La abertura en que se conecta el suministro de aire comprimido, por lo general a través de una conexión roscada.

**SUJETADORES** — Esta grapadora usa grapas T50 de flecha de tamaños de 6,4 mm (1/4 pulg.) a 14,3 mm (9/16 pulg.).

**CARGADOR** — La parte de la herramienta en que se mantienen los sujetadores.

**PRESIÓN DE AIRE MÁXIMA** — La presión máxima de aire comprimido permisible, según lo especificado por el fabricante, para el funcionamiento de la herramienta.

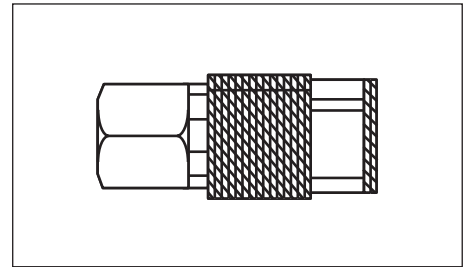
**BAR/PSI (LIBRAS POR PULGADA CUADRADA)** — Unidades de medida de la presión ejercida por la fuerza del aire. La salida real en bar/psi se mide con un manómetro en el compresor.

**ACOPLADOR RÁPIDO** — Un acoplador rápido está diseñado para trabajar en combinación con un conector rápido para unir rápida y fácilmente una herramienta neumática con una manguera de aire (*Ver Figura 2*).

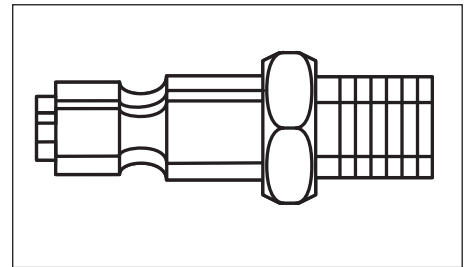
**CONECTOR RÁPIDO** — Un conector rápido está diseñado para trabajar en combinación con un acoplador rápido para unir rápida y fácilmente una herramienta neumática con una manguera de aire (*Ver Figura 3*).

**REGULADOR** — Un dispositivo usado para controlar la presión del aire que pasa a una herramienta neumática

**PEGAMENTO FIJADOR DE ROSCAS** — Un pegamento para fijar que se aplica a las roscas de los tornillos antes de instalarlos. Evita que los tornillos se aflojen durante el funcionamiento de la herramienta.



**Figura 2 - Acoplador rápido**



**Figura 3 - Conector rápido**

## Conozca su grapadora de tapicería como un profesional

### Características

#### DEFLECTOR AJUSTABLE DEL ORIFICIO DE SALIDA

Esta herramienta está equipada con una característica de deflector ajustable del orificio de salida. Esto permite que el orificio de salida de la herramienta se coloque en cualquier posición que sea conveniente para el usuario. Gire el deflector en la dirección deseada.

#### CÓMODO MANGO DE GOMA

Ayuda a mantener un agarre estable y evita el cansancio.

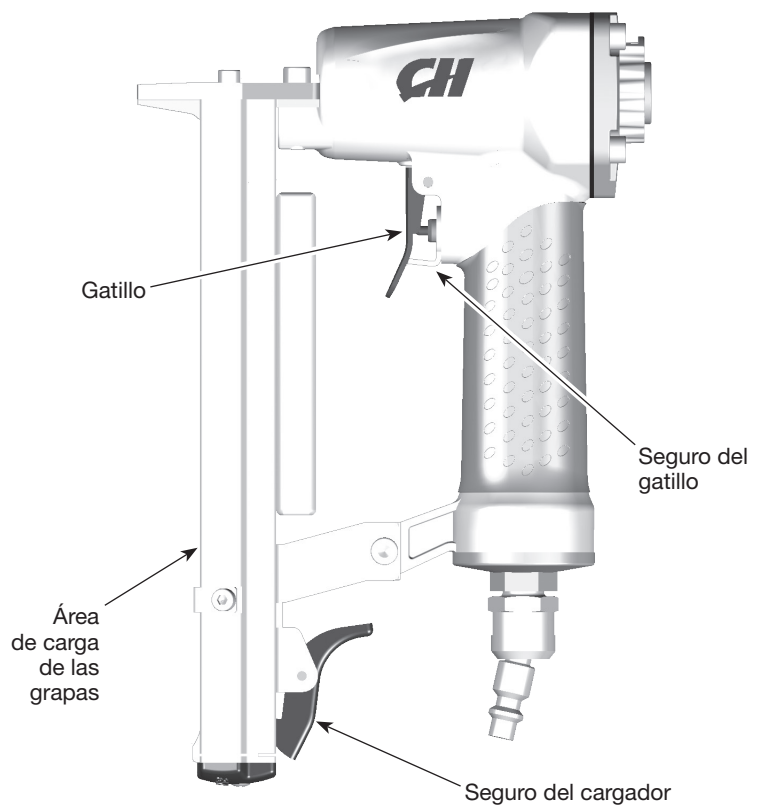
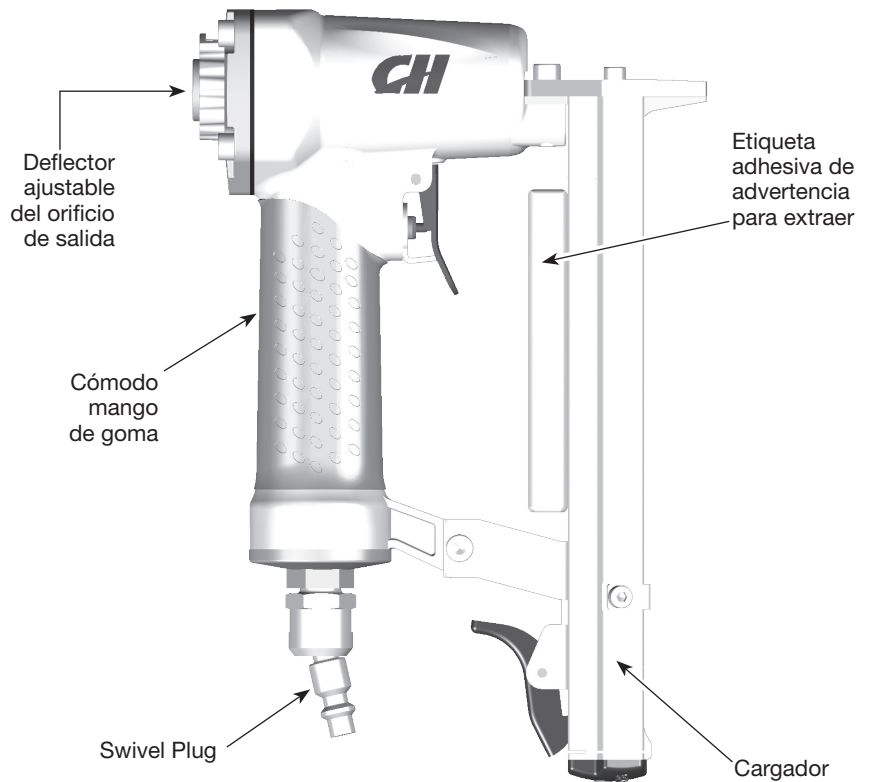


Figura 4 - Componentes de la grapadora



**Configuración**

**LUBRICACIÓN**

Esta clavadora **NO** requiere lubricación para su funcionamiento normal. Sin embargo, la lubricación **NO** dañará la herramienta.

**AVISO**

*La superficie de trabajo puede dañarse por exceso de lubricación.*

**COMPONENTES MÍNIMOS NECESARIOS PARA LA CONEXIÓN**

**COMPRESOR DE AIRE:** El compresor de aire debe ser capaz de mantener un mínimo de 4,14 bar (60 psi) cuando se usa la herramienta. Un suministro de aire inadecuado puede causar una pérdida de potencia y una colocación desigual de los sujetadores (ver Tabla 1).

**REGULADOR DE PRESIÓN:** Es necesario un regulador de presión para controlar la presión de funcionamiento de la herramienta entre 4,14 bar y 8,3 bar (60 psi y 100 psi).

**MANGUERA DE SUMINISTRO DE AIRE:** Use SIEMPRE mangueras de suministro de aire con una clasificación de presión mínima de funcionamiento igual o mayor que la presión de la fuente de energía, o 10,3 bar (150 psi), lo que sea mayor. Use una manguera de aire de 0,63 cm (1/4 pulg.) para alargues de hasta 15 m (50 pies). Use mangueras de 0,95 cm (3/8 pulg.) para alargues de 15 m (50 pies) o mayores (ver Figura 5 y Tabla 2).

**INSTRUCCIONES PARA LA CONEXIÓN DE LA HERRAMIENTA AL SUMINISTRO DE AIRE**

La Figura 8 muestra la conexión recomendada para la herramienta.

**NOTA:** para un mejor desempeño, instale un conector rápido de 0,95 cm (3/8 pulg.) (rosca de 0,64 cm [1/4 pulg.] NPT) con un diámetro interno de 8 mm (0,315 pulg.) en la herramienta y un acoplador rápido de 0,95 cm (3/8 pulg.) en la manguera de aire.

1. Con el interruptor de accionamiento en la posición de apagado, enchufe el compresor en el tomacorriente.
2. Cierre el regulador de presión girándolo totalmente hacia la izquierda. Encienda el compresor y deje que bombee hasta alcanzar la presión en que se apaga automáticamente.
3. Conecte la manguera de aire a la salida del regulador. Ajuste el regulador de presión girándolo hacia la derecha para que la presión de salida sea entre 4,14 bar y 6,2 bar (60 psi y 100 psi).
4. Cargue los sujetadores en la herramienta (Vea la sección Para cargar y descargar la herramienta en la página 42).
5. Apunte la herramienta hacia una dirección segura mientras coloca la manguera de aire.
6. La herramienta está lista para usar. Puede ser necesario ajustar la presión de salida para lograr una profundidad de sujetador adecuada.


	4,14 bar Min.
	6,90 bar Max.

Tabla 1

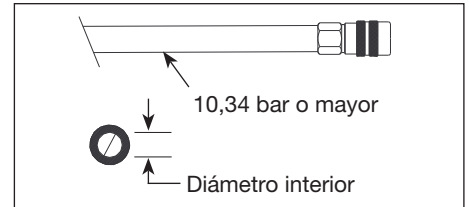


Figure 5 - Requerimientos para la manguera de aire

REQUERIMIENTOS PARA LA MANGUERA DE AIRE	
DIÁMETRO	LARGO DEL RECORRIDO
6,4 mm (1/4 inch)	Menos de 15,2 m (50 pies)
9,5 mm (3/8 inch)	Mayor o igual a 15,2 m (50 pies)

Tabla 2

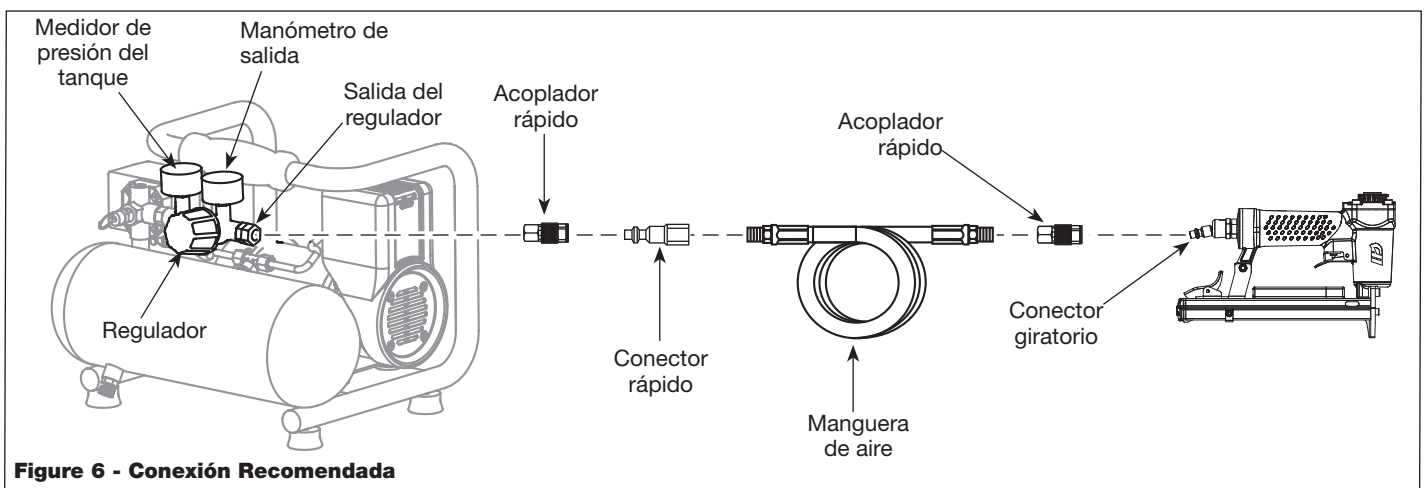


Figure 6 - Conexión Recomendada

## Configuración (Continuación)

### PARA CARGAR Y DESCARGAR LA HERRAMIENTA

Elija qué tipo de sujetador desea usar para su proyecto. Puede encontrar sujetadores adicionales en grandes tiendas para el hogar.

#### Para cargar la herramienta

Siempre **desconecte** la herramienta del suministro de aire **antes** de cargar o descargar los sujetadores.

1. Presione hacia abajo el seguro y tire hacia atrás de la cubierta del cargador.
2. Introduzca una barra de grapas Campbell Hausfeld o equivalentes (ver la sección "Sujetadores") en el cargador. Asegúrese de que las grapas no estén sucias ni dañadas.
3. Empuje la tapa del cargador hacia adelante hasta que tranque el seguro.

#### Para descargar la herramienta

Siempre **desconecte** la herramienta del suministro de aire **antes** de cargar o descargar los sujetadores.

1. Presione hacia abajo el seguro y tire hacia atrás de la cubierta del cargador.
2. Retire los sujetadores.
3. Empuje la tapa del cargador hacia adelante hasta que tranque el seguro.

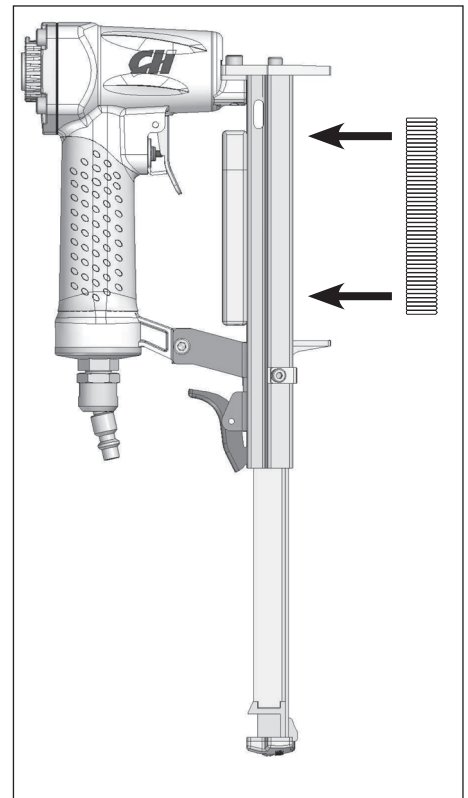


Figura 7 - Carga de la grapadora

## Funcionamiento

### MODO DE FUNCIONAMIENTO

#### ⚠ ADVERTENCIA

*Siempre cerciórese de saber en qué modo va a operar la herramienta antes de comenzar a usarla. De lo contrario, le podría ocasionar la muerte o heridas graves.*

#### MODO DE GATILLO ÚNICAMENTE (CON SEGURO PARA EL GATILLO)

La herramienta es un dispositivo de activación única. Este modo requiere que, cuando el seguro del gatillo no esté en el modo seguro, el solo hecho de oprimir el gatillo dispara un sujetador.

Luego de verificar que no haya sujetadores en la herramienta, controle de manera segura el funcionamiento del seguro del gatillo activado para evitar que la herramienta dispare un sujetador antes del almacenamiento. Siempre desconecte del aire comprimido cuando no esté en uso.

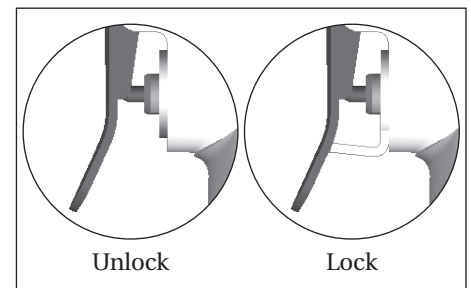


Figura 8

## Almacenamiento

La herramienta debe guardarse en un lugar fresco y seco.

## Mantenimiento

### COMO DESOBRUIR LA HERRAMIENTA

1. Desconecte la herramienta del suministro de aire.
2. Quite todos los sujetadores del cargador (ver Carga/Descarga). No hacerlo puede provocar que los sujetadores salgan por la parte frontal de la herramienta.
3. Quite el seguro tirando de la tapa en la dirección que se muestra.
4. Ahora se puede girar la puerta, dejando al descubierto el sujetador que esté trabado.
5. Retire todos los sujetadores que estén trabados, utilizando unas pinzas o un destornillador si fuera necesario.
6. Vuelva a girar la puerta a su posición de cerrado.
7. Extienda el seguro y colóquelo sobre los ganchos de la boquilla.
8. Cierre el seguro tirando del mismo hacia arriba y hasta que el seguro calce en su lugar.
9. Cargue con sujetadores.
10. Asegúrese de que el gatillo y el elemento de contacto de trabajo (WCE) se muevan libremente hacia arriba y hacia abajo sin adherirse ni trabarse.

### REPARACIÓN DE LA HERRAMIENTA

La herramienta debe ser reparada únicamente por personal calificado, y se deben usar piezas de repuesto y accesorios originales Campbell Hausfeld, o piezas y accesorios que funcionen de manera equivalente.

### PIEZAS DE REPUESTO

**⚠ ADVERTENCIA** Use únicamente piezas de repuesto Campbell Hausfeld originales. El desempeño de las herramientas, la seguridad y la duración pueden disminuir si no se utilizan las piezas adecuadas. Cuando ordene piezas de repuesto, especifique por el número de la pieza.

### PROCEDIMIENTO DE ENSAMBLAJE PARA LOS SELLOS

Cuando repare una clavadora, las piezas internas deben limpiarse y lubricarse. Debe usarse lubricante Parker O-lube o un equivalente en todos los anillos en O. Cada anillo en O debe ser cubierto con lubricante antes de ensamblar la herramienta. Debe utilizarse una pequeña cantidad de aceite en todas las superficies móviles y pivotes.

### SERVICIO TÉCNICO

Para obtener información con relación al funcionamiento o reparación de este producto, sírvase llamar al 1-800-543-6400.

### INFORMACIÓN DE INTERCAMBIO DE SUJETADORES

Los sujetadores usados en la grapadora de 9,5 mm (3/8 pulg.) de Campbell Hausfeld CHN71600 incluyen:

- Grapas Arrow® T50® de flecha o cualquier sujetador equivalente con las dimensiones adecuadas ilustradas en la Figura 10.

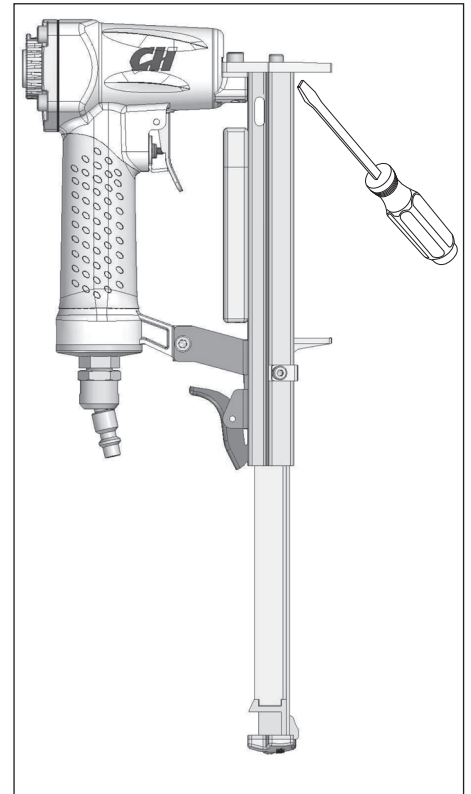


Figura 9

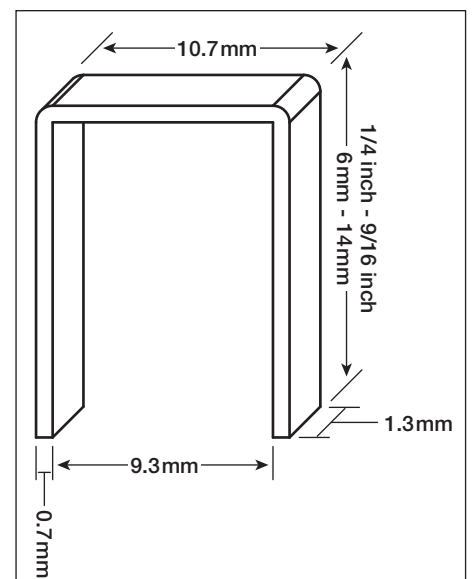


Figura 10



## Guía de resolución de problemas

### **⚠ ADVERTENCIA**

Deje de usar la herramienta inmediatamente si alguno de los siguientes problemas ocurre. Podría resultar en heridas graves. Cualquier reparación o reemplazo de piezas los debe hacer un técnico calificado personal de un centro autorizado de servicio.

PROBLEMA	CAUSA	SOLUCIÓN
Pérdida de aire en la válvula del gatillo	Los anillos en O de la caja de la válvula del gatillo están dañados	Cambie los anillos en O
Pérdida de aire entre la caja y la boquilla	<ol style="list-style-type: none"> <li>Anillos en O y/o sellos dañados</li> <li>Daño en el tope</li> </ol>	<ol style="list-style-type: none"> <li>Cambie los anillos en O y/o sellos</li> <li>Cambie el tope</li> </ol>
Pérdida de aire entre la caja y la tapa	<ol style="list-style-type: none"> <li>Tornillos sueltos</li> <li>Junta dañada</li> </ol>	<ol style="list-style-type: none"> <li>Apriete los tornillos</li> <li>Cambie la junta</li> </ol>
La herramienta saltea la colocación de un sujetador	<ol style="list-style-type: none"> <li>Tope gastado</li> <li>Suciedad en la pieza de la boquilla</li> <li>La suciedad o los daños evitan que los sujetadores o el mecanismo de impulso se muevan libremente en el cargador</li> <li>Resorte de empuje dañado</li> <li>Flujo de aire a la herramienta inadecuado</li> <li>Anillo en O gastado en el pistón o falta de lubricación</li> <li>Aro del pistón de la válvula del gatillo dañado</li> <li>Pérdidas de aire</li> </ol>	<ol style="list-style-type: none"> <li>Cambie el tope</li> <li>Limpie el canal de colocación</li> <li>Limpie el cargador</li> <li>Cambie el resorte</li> <li>Compruebe las conexiones, la manguera, o el compresor</li> <li>Cambie los sellos del pistón</li> <li>Cambie los anillos en O</li> <li>Ajuste los tornillos y las conexiones</li> </ol>
La herramienta funciona lento o pierde potenciar	<ol style="list-style-type: none"> <li>La herramienta no está lo suficientemente lubricada</li> <li>Resorte roto en la tapa del cilindro</li> <li>El orificio de salida de la tapa está obstruido</li> </ol>	<ol style="list-style-type: none"> <li>Lubrique la herramienta</li> <li>Cambie el resorte</li> <li>Reemplace las piezas internas dañadas</li> </ol>
Los sujetadores están atascados en la herramienta	<ol style="list-style-type: none"> <li>La guía del accionador está gastada</li> <li>Los sujetadores no son del tipo correcto</li> <li>Los sujetadores están doblados</li> <li>Los tornillos del cargador o la boquilla están sueltos</li> <li>El accionador está dañado</li> <li>Los sujetadores fueron cargados de forma incorrecta.</li> </ol>	<ol style="list-style-type: none"> <li>Cambie la guía</li> <li>Sólo use sujetadores recomendados</li> <li>Reemplace con sujetadores en buen estado</li> <li>Apriete los tornillos</li> <li>Cambie el accionador</li> <li>Consulte la sección Carga/Descarga del manual</li> </ol>

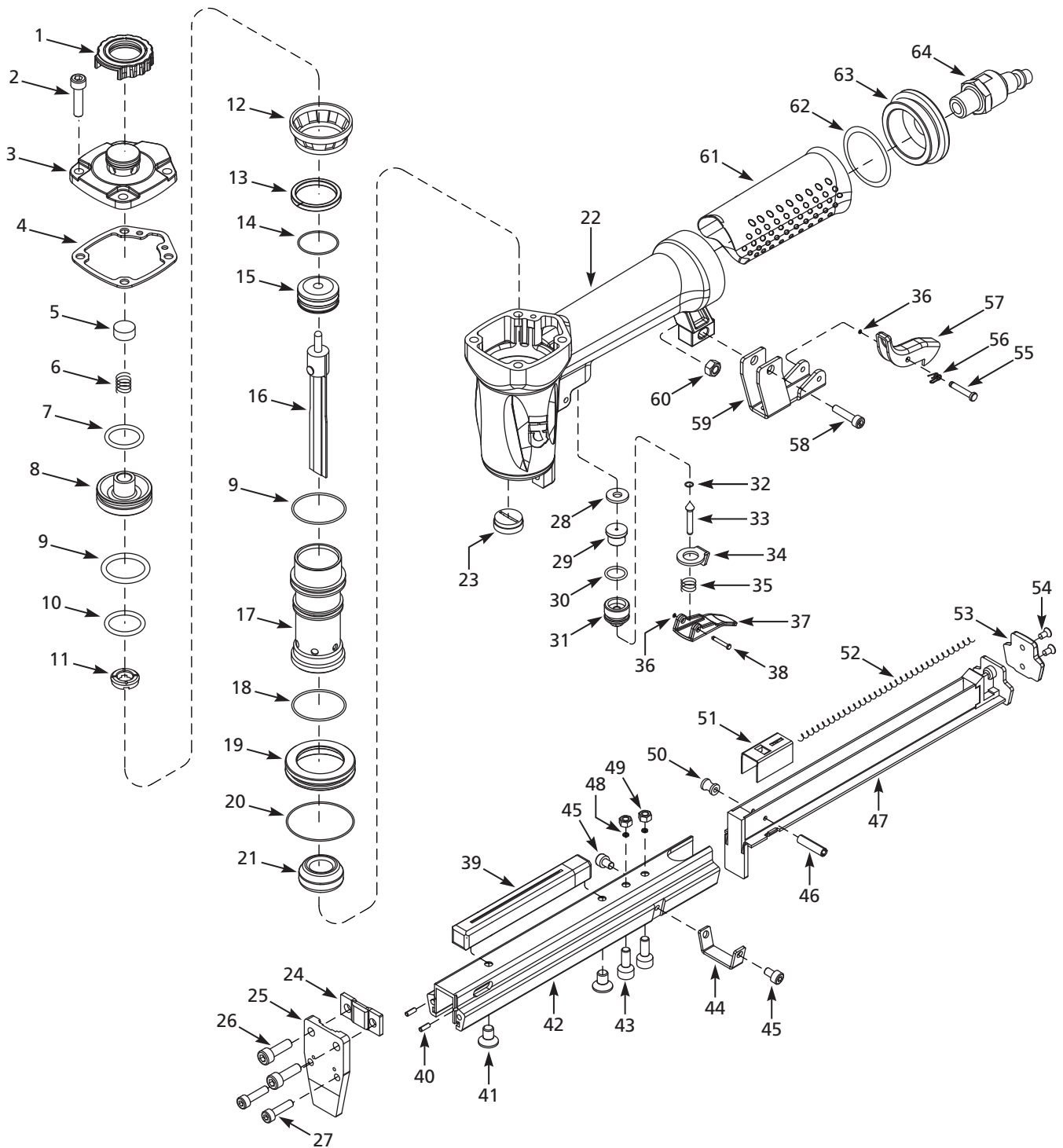
**Para Ordenar Repuestos o Asistencia Técnica, Sírvase Llamar al Distribuidor Más Cercano a Su Domicilio**

Sírvase proporcionar la siguiente información:

- Número de modelo
- Número de serie (si tiene)
- Descripción y número de la pieza como se muestra en la lista de repuestos

Dirija toda la correspondencia a:

Campbell Hausfeld  
 Attn: Customer Service  
 100 Production Drive  
 Harrison, OH 45030 U.S.A.



**Figura 11 - Ilustración de las piezas de repuesto para la grapadora neumática, modelo CHN71600AV**

## Lista de piezas de repuesto

No. de Ref.	Descripción	Número de Repuesto	Ctd.
1	Desviador de la salida	—	1
2	Tornillo de cabeza tubular - M5 x 14	*	4
3	Tapa del cilindro	—	1
4	Empaque	■	1
5	Sello de salida	■	1
6	Resorte de la válvula	■	1
7	Anillo en O	■	1
8	Válvula	—	1
9	Anillo en O	■	2
10	Anillo en O	■	1
11	Amortiguador	■	1
12	Collar	—	1
13	Aro del pistón	▲	1
14	Anillo en O	▲	1
15	Pistón	▲	1
16	Álabe del impulsor	▲	1
17	Cilindro	—	1
18	Anillo en O	■	1
19	Placa limitadora	—	1
20	Anillo en O	■	1
21	Defensa	■	1
22	Cuerpo	—	1
23	Boquilla	■	1
24	Plato	—	1
25	Guía del impulsor	—	1
26	Tornillo de cabeza tubular - M5 x 18	*	2
27	Tornillo de cabeza tubular - M4 x 16	*	2
28	Sello	■	1
29	Culata de la válvula del gatillo	—	1
30	Anillo en O	■	1
31	Válvula del gatillo	—	1
32	Anillo en O	■	1
33	Vástago de la válvula del gatillo	—	1
34	Seguridad del gatillo	—	1
35	Resorte del gatillo	■	1
36	Arandela partida	—	2
37	Gatillo	—	1
38	Pasador	—	1
39	Etiqueta adhesiva de retroceso en caja	—	1
40	Pasador de resorte	—	2

No. de Ref.	Descripción	Número de Repuesto	Ctd.
41	Tornillo - M4 x 10	*	2
42	Cargador	—	1
43	Tornillo de cabeza tubular - M4 x 10	*	2
44	Tope	—	1
45	Tornillo de cabeza tubular - M4 x 6	*	2
46	Pasador de resorte	—	1
47	Puerta del cargador	—	1
48	Arandela	—	2
49	Arandela - M4	*	2
50	Polea	—	1
51	Impulsor	—	1
52	Resorte de empuje	■	1
53	Placa de protección	—	1
54	Tornillo - M3 x 6	*	2
55	Pasador	—	1
56	Resorte	■	1
57	Seguro de pulgar del cargador	—	1
58	Tornillo de cabeza tubular - M5 x 20	*	1
59	Ménsula del cargado	—	1
60	Tuerca - M5	*	1
61	Mango	—	1
62	Anillo en O	■	1
63	Tapa inferior de la entrada	—	1
64	Conector giratorio de i/m (macho) de 1/4-18 (6 mm)	SV567600AV	1

## JUEGOS DE REPUESTOS

- ▲ Ensamble de la paleta de impulsión SKN23500AV
- Juego completo de reconstrucción SKN23800AV
- No disponible
- \* Artículo estándar de ferretería - disponible en su ferretería local

**Recordatorio:** ¡Guarde su comprobante de compra con fecha para fines de la garantía! Adjúntela a este manual o archívela en lugar seguro.

## Garantía Limitada

1. DURACION: A partir de la fecha de compra por el comprador original tal como se especifica a continuación: Un (1) año.
2. QUIEN OTORGA ESTA GARANTIA (EL GARANTE: Campbell Hausfeld / The Scott Fetzer Company 100 Production Drive, Harrison, Ohio 45030 Teléfono: (800) 543-6400
3. QUIEN RECIBE ESTA GARANTIA (EL COMPRADOR): El comprador original (que no sea un revendedor) del producto Campbell Hausfeld.
4. PRODUCTOS CUBIERTOS POR ESTA GARANTIA: Esta clavadora o grapadora Campbell Hausfeld.
5. COBERTURA DE LA GARANTIA: Defectos importantes en los materiales y la mano de obra que ocurran durante la duración del período de garantía con las excepciones que se mencionan a continuación.
6. LO QUE NO ESTA CUBIERTO POR ESTA GARANTIA:
  - A. Las garantías implícitas, incluyendo aquellas de comercialidad E IDONEIDAD PARA FINES PARTICULARES, ESTAN LIMITADOS A LO ESPECIFICADO EN EL PARRAFO DE DURACION. Si este producto es empleado para uso comercial, industrial o para renta, la garantía será aplicable por noventa (90) días a partir de la fecha de compra. En algunos estados no se permiten limitaciones a la duración de las garantías implícitas, por lo tanto, en tales casos esta limitación no es aplicable.
  - B. CUALQUIER PERDIDA DAÑO INCIDENTAL, INDIRECTO O CONSECUENTE QUE PUEDA RESULTAR DE UN DEFECTO, FALLA O MALFUNCIONAMIENTO DEL PRODUCTO CAMPBELL HAUSFELD. En algunos estados no se permite la exclusión o limitación de daños incidentales o consecuentes, por lo tanto, en tales casos esta limitación o exclusión no es aplicable.
  - C. Cualquier falla que resulte de un accidente, abuso, negligencia o incumplimiento de las instrucciones de funcionamiento y uso indicadas en el (los) manual(es) que se adjunta(n) al producto. Dichos accidentes, abusos por parte del comprador, o falta de operar el producto siguiendo las instrucciones del manual de instrucciones suministrado también debe incluir la desconexión o modificación de los instrumentos de seguridad. Si dichos instrumentos de seguridad son desconectados, la garantía quedaría cancelada.
  - D. Los ajustes normales explicados en el(los) manual(es) suministrado(s) con el producto.
  - E. Los artículos o servicios que son necesarios normalmente para mantener el producto, p. ej. anillos en O, resortes, paragolpes, protector contra escombros, hojas de impulsión, juntas, empaquetaduras o sellos, lubricantes o cualquier otra pieza fungible o no mencionada específicamente. Estos artículos solamente estarán cubiertos durante 90 (noventa) días a partir de la fecha de compra original. Los artículos subrayados están garantizados por defectos en el material y la mano de obra únicamente.
7. RESPONSABILIDADES DEL GARANTE BAJO ESTA GARANTIA:

Según elija el Garante, la reparación o el reemplazo del producto o los componentes que estén defectuosos, que hayan funcionado en forma inadecuada y/o que no hayan cumplido con su función dentro de la duración del período específico de la garantía.
8. RESPONSABILIDADES DEL COMPRADOR BAJO ESTA GARANTIA:
  - A. Suministrar prueba fechada de compra y la historia de mantenimiento del producto.
  - B. Llame a Campbell Hausfeld (800) 543-6400 por sus opciones de servicio incluidas en la garantía. Los costos de flete correrán por cuenta del comprador.
  - C. Seguir las instrucciones sobre operación y mantenimiento del producto, tal como se indica(n) en el (los) manual(es) del propietario.
9. CUANDO EFECTUARA EL GARANTE LA REPARACION O REEMPLAZO CUBIERTO BAJO ESTA GARANTIA: La reparación o reemplazo dependerá del flujo normal de trabajo del centro de servicio y de la disponibilidad de repuestos.

Esta garantía limitada es válida sólo en los EE.UU., Canadá y México y otorga derechos legales específicos. Usted también puede tener otros derechos que varían de un Estado a otro. o de un país a otro.