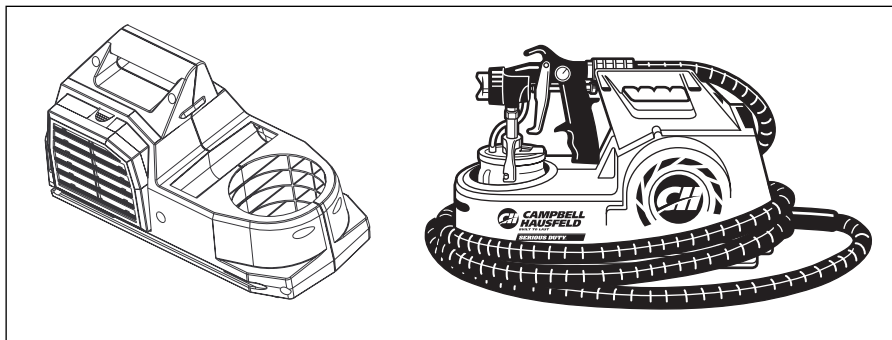


*Please read and save these instructions. Read carefully before attempting to assemble, install, operate or maintain the product described. Protect yourself and others by observing all safety information. Failure to comply with instructions could result in personal injury and/or property damage! Retain instructions for future reference.*



# Easy Spray Turbines

**Attention:** Campbell Hausfeld recommends that servicing other than that shown in the instruction manual should be performed by an authorized service facility. (Household Use Only).



## Specifications

### MODEL HV1000

Motor Type . . .Brush type, 2 stage, thru-flow  
 Hose Length . . . . .15 ft (30 ft max)  
 Transfer Efficiency . . . . .86% max  
 Unit Weight . . . . .11 lbs  
 Voltage . . . . .115 volt, 11 amps  
 Storage Compartment . . . . .Yes

### MODEL HV1500

Motor Type . . .Brush type, 2 stage, thru-flow  
 Hose Length . . . . .15 ft (30 ft max)  
 Transfer Efficiency . . . . .86% max  
 Unit Weight . . . . .11 lbs  
 Voltage . . . . .115 volt, 11 amps  
 Storage Compartment . . . . .Yes  
 Weight w/Toolbox . . . . .17.5 lbs

### HV2000 SERIES

Motor Type . . . . .Brush type, 2 stage,  
 . . . . .Tangential bypass  
 Hose Length . . . . .15 ft. (40 ft. Max.)  
 Transfer Efficiency . . . . .86% Max.  
 Unit Weight . . . . .15 lbs  
 Voltage . . . . .115 V, 10.1 Amp  
 Storage Compartment . . . . .Yes

### COMPONENTS

- (1) Turbine
- (1) Hose and quick connect fitting
- (1) Wrench - the only tool needed to assemble and clean the unit
- (1) Viscosity stick
- (2) Cone strainers
- (1) Cleaning brush

**Configuration and accessories included vary according to model**

## Description

Campbell Hausfeld HVLP turbines are designed to generate a High Volume of Low Pressure air for operating HVLP spray guns. Turbines operate differently than air compressors because turbines do not require an air tank to hold compressed air. HVLP turbines are portable, can be plugged into standard outlets and sound similar to shop-vacs.

## Unpacking

When unpacking the unit, inspect carefully for any damage that may have occurred during transit. Make sure any loose fittings, bolts, etc., are tightened before putting sprayer into service. Each unit has been tested before shipment. Do not readjust or modify the turbine components

## General Safety

**▲ DANGER** *Danger means a hazard that will cause death or serious injury if the warning is ignored.*

**▲ WARNING** *Warning means a hazard that could cause death or serious injury if the warning is ignored.*

**▲ CAUTION** *Caution means a hazard that may cause minor or moderate injury if the warning is ignored. It also may mean a hazard that will only cause damage to property.*

**NOTE:** Note means any additional information pertaining to the product or its proper usage.

Read all instructions and safety precautions before operating the unit.



### ▲ WARNING



- **Risk of fire or explosion! Solvent and paint fumes can explode or ignite, causing severe injury and property damage.**
- **Paints and solvents containing HALOGENATED HYDROCARBONS can react explosively with aluminum. Always check the product's label before using these materials in the unit.**
- **Make sure the room is well-ventilated.**
- **Avoid all ignition sources, such as static electricity sparks, open flames, hot objects, sparks from connecting and disconnecting power cords, and working light switches.**
- **Follow the material and solvent manufacturers' safety precautions and warnings. Do not use liquids with flash points less than 100 degrees Fahrenheit (38 degrees Celsius).**
- **Unit is not intended for spraying flammable materials other than lacquer. See Special Note on Lacquers and Other Oil (Solvent) Based Coatings.**

### SPECIAL NOTE ON LACQUERS AND OTHER OIL (SOLVENT) BASED COATINGS

When mixing or thinning:

1. **Eliminate potential sources of fire**
  - Turn off the HVLP sprayer, all other electrical appliances, spark or flame sources
  - Follow lacquer (or other coating) and thinner (solvent) manufacturer directions very carefully
2. **Minimize vapors in the spray area. Eliminate all potential for spilling lacquer or thinner in the spray area**
  - Tightly recap all containers immediately after mixing or thinning and store away from the spray areas.
  - Do not operate the HVLP turbine in the presence of open containers or spillage.
  - Make sure all vapors have dispersed prior to turning the HVLP sprayer on.

## General Safety (Continued)

- **Do not carry TURBINE while spraying.**
- **Keep the turbine at the maximum distance from the spraying area.**
- **Static electricity can be produced by HVLP spraying. Make sure any electrically conductive object being sprayed is grounded to prevent static sparking. The sprayer is grounded through the electric cord. If an extension cord is necessary, the cord must be a grounded, 115 volt, three wire type cord.**

- **Hazardous vapors: Paints, solvents, insecticides, and other materials may be harmful if inhaled, causing severe nausea, fainting, or poisoning.**



- **Always wear a mask or respirator and eye protection when painting. Be certain mask or respirator will provide necessary protection against inhalation of harmful vapors.**



- **NEVER point the spray gun at any part of the body, or at anyone else.**

### ⚠ CAUTION

- **Tipping the gun may cause the gun to clog. Dried spray material clogs the pressure delivery tube and fittings. The spray gun does not function when clogging occurs.**

- **When not in use, be sure to disconnect the hose and place the gun on a solid, level surface or in the turbine gun storage area to avoid tipping.**

### GROUNDING INSTRUCTIONS

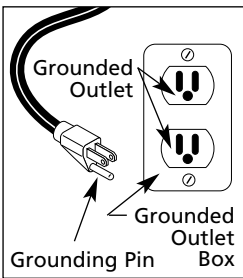
This product must be properly grounded. In the event of an electrical short circuit, grounding reduces the risk of electrical shock by providing an alternate path for the electrical current.

This product is equipped with a cord that has a ground wire and an appropriate ground plug. Plug the unit into an outlet that is properly installed and grounded in accordance with local codes and ordinances.

### ⚠ DANGER

**Improper installation of the ground plug can result in the risk of electrical shock. If repair or replacement of the plug or cord is necessary, consult an authorized service provider.**



1. For any questions regarding proper installation of the ground plug, consult a qualified (licensed or certified) electrician.
2. Do not modify the plug provided. If the plug does not fit the outlet, have the proper outlet installed by a qualified electrician.
3. This product is for use on a nominal 120-volt circuit and has a grounding plug that looks like the plug in  Figure 2.

Make sure that the product is connected to an outlet having the same configuration as the plug. No adapters should be used with this product.

4. If an extension cord is required, use only a three wire extension cord that has the same configuration as the unit cord, including the (round) ground terminal. Make sure that the extension cord is plugged into a properly grounded receptacle.

## General Safety (Continued)

- When using an extension cord, be sure it is in good condition and heavy enough to meet the specifications in the chart below. If an extension cord is needed, the following wire sizes must be used (See Chart 1)

### Extension Cord Requirements

25' cord . . . . .	10,12, or 14 Gauge
50' cord . . . . .	10 or 12 Gauge
100' cord . . . . .	10 Gauge

Chart 1

## Set-Up

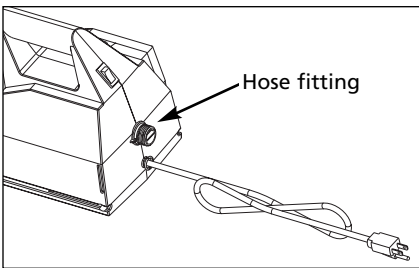


Figure 3

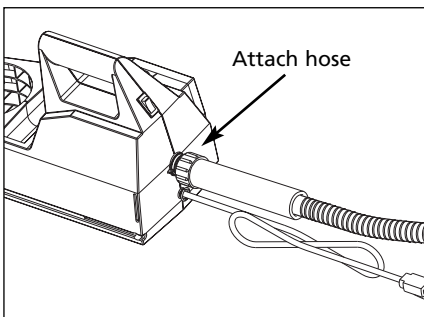


Figure 4

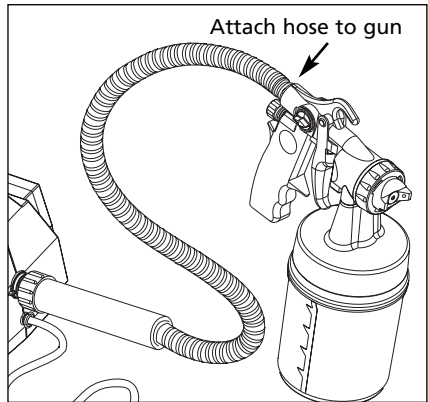


Figure 5

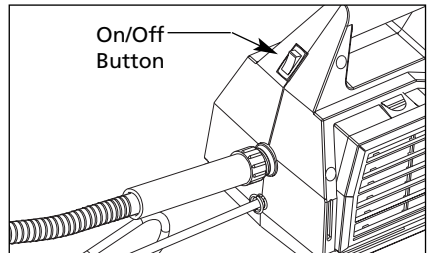


Figure 6

**Notice:** Gun may be rested in body of turbine when not in use. (Figure 7).

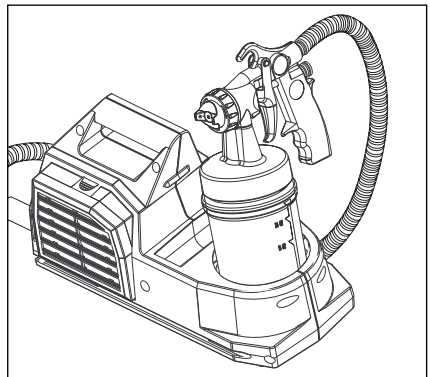


Figure 7

**Note:** Refer to Spray Gun manual for spraying instructions.

## Maintenance

Be sure the air filter is clean. A dirty air filter restricts air flow and can cause the motor to overheat.

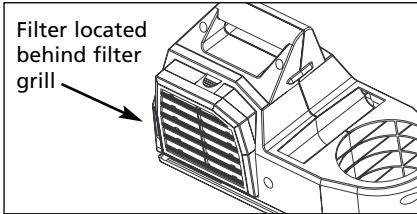


Figure 8

**IMPORTANT:** Keep the unit at the maximum distance from the spray area to extend filter life.

### REMOVING THE AIR FILTER

**Models HV1000 and HV1500**

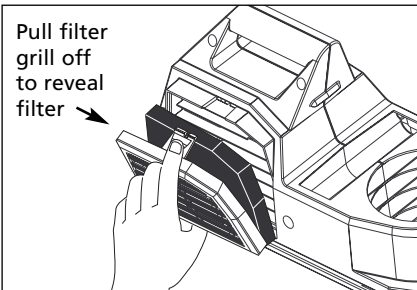


Figure 9

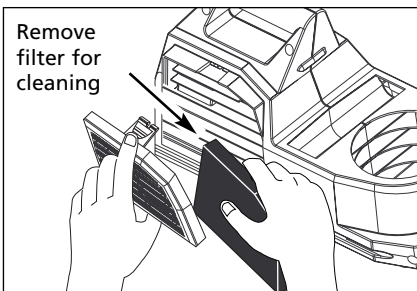


Figure 10

### Model HV2000

1. Remove thumbscrew.

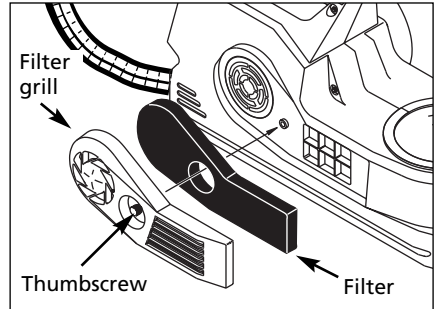


Figure 11

### CLEANING THE AIR FILTER

- If using latex (water-based) coatings, use mild soapy water to clean filter. Remove excess water with a soft cloth. Allow to dry flat before reinstalling filter.
- Replace filter if built-up with paint, or if using oil-based (solvent-based) coatings.

#### **⚠ WARNING**

**Do not attempt to clean with mineral spirits or other solvent.**



**For Information About  
This Product  
Call 1-800-626-4401**

## Troubleshooting Chart

Symptom	Possible Cause(s)	Corrective Action
Poor air flow	1. Hose restricted or kinked 2. Restricted filter 3. Plugged aircap	1. Keep air hose straight 2. Clean or replace filter 3. Clean aircap passages
Unusual grinding noise	Damaged turbine motor	Contact Service Center

---

## Accessories Available

- **EASY STRAIN**  
Reusable paint strainer. . . . . **Part # HV7001**
- **EASY SHIELD**  
Protect areas from unwanted paint spray . . . . . **Part # HV7003**
- **EASY LINER**  
Cuts cleaning time in half! . . . . . **Part # HV0130**

**For more information, or to order,  
call 1-800-626-4401, or visit our website,  
[www.campbellhausfeld.com](http://www.campbellhausfeld.com)**

## Notes

---

---

---

---

---

---

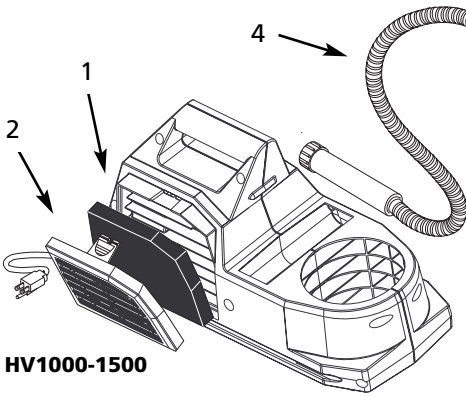
---

---

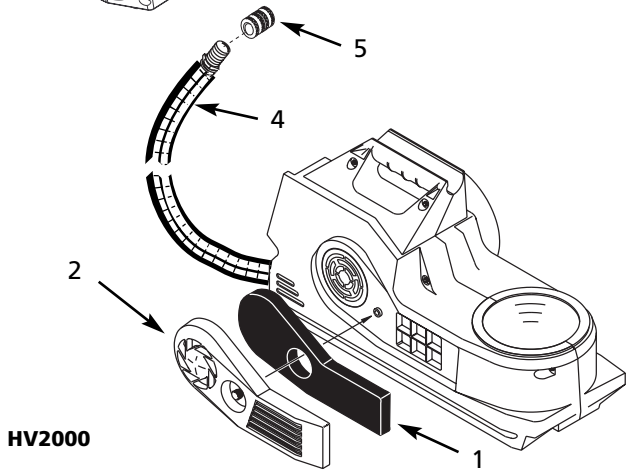
# For Replacement Parts, Call 1-800-626-4401

Please provide following information:  
 -Model number  
 -Serial number (if any)  
 -Part descriptions and number as shown in parts list

Address parts correspondence to:  
 Campbell Hausfeld  
 100 Production Drive  
 Harrison, OH 45030 U.S.A.



**HV1000-1500**



**HV2000**

**Figure 13 - Exploded View**

Ref No.	Description	Part Number For Model Number Series			Qty
		HV1000	HV1500	HV2000	
1	Air filter	HV6008	HV6008	MP3021	1
2	Filter grill	HV600700AV	HV600700AV	HV000300AV	1
3	Storage compartment door	--	--	HV000400AV	1
4	Hose 15'	MP3106	MP3106	MP3106	1
	Hose 25'	--	--	HV1025	
5	Quick connect coupler	HV002200AV	HV002200AV	HV002200AV	1

### **Limited Warranty**

1. **DURATION:** From the date of purchase by the original purchaser as follows: Standard Duty Paint Application Systems and all Paint Application Accessories - 1 year, Serious Duty Paint Application Systems - 3 years, Extreme Duty Paint Application Systems - 5 years.
2. **WHO GIVES THIS WARRANTY (WARRANTOR):** Campbell Hausfeld/A Scott Fetzer Company, 100 Production Drive, Harrison, Ohio, 45030, Telephone: 1-800-626-4401.
3. **WHO RECEIVES THIS WARRANTY (PURCHASER):** The original purchaser (other than for purposes of resale or rental) of the Campbell Hausfeld Product.
4. **WHAT PRODUCTS ARE COVERED BY THIS WARRANTY:** All non-compressor driven paint application systems, HVLP spraying systems, and paint application accessories supplied or manufactured by the Warrantor.
5. **WHAT IS COVERED UNDER THIS WARRANTY:** Defects in material and workmanship which occur within the duration of the warranty period. Warrantor will also cover normal wear items for a period of thirty days from the date of original purchase against defects in material and workmanship. These wear items are: HVLP-filters, motor brushes, gun packing, gun canister seal, gun check valve and gun air flow ring; Airless-inlet valve, outlet valve, gun valve, filters, tips, all seals and o-rings.
6. **WHAT IS NOT COVERED UNDER THIS WARRANTY:**
  - A. Implied warranties, including those of merchantability and FITNESS FOR A PARTICULAR PURPOSE ARE LIMITED FROM THE DATE OF ORIGINAL PURCHASE AS STATED IN THE DURATION. If standard duty product is used for commercial or industrial purposes, the warranty will apply for ninety (90) days from the date of original purchase. If product is used for rental purposes, the warranty will apply for ninety (90) days from the date of original purchase. Some states do not allow limitation on how long an implied warranty lasts, so the above limitations may not apply to you.
  - B. ANY INCIDENTAL, INDIRECT, OR CONSEQUENTIAL LOSS, DAMAGE , OR EXPENSE THAT MAY RESULT FROM ANY DEFECT, FAILURE, OR MALFUNCTION OF THE CAMPBELL HAUSFELD PRODUCT. Some states do not allow the exclusion or limitation of incidental or consequential damages, so the above limitation or exclusion may not apply to you.
  - C. Any failure that results from an accident, purchaser's abuse, neglect or failure to operate products in accordance with instructions provided in the owner's manual(s) supplied with product. Accident, purchaser's abuse, neglect or failure to operate products in accordance with instructions shall also include the removal or alteration of any safety devices. If such safety devices are removed or altered, this warranty is void.
  - D. Normal adjustments which are explained in the owner's manual(s) provided with the product.
  - E. Items or services that are normally required to maintain the product: HVLP-filters, motor brushes, gun packing, gun canister seal, gun check valve and gun air flow ring; Airless-inlet valve, outlet valve, gun valve, filters, tips, all seals and o-rings., or any other expendable part not specifically listed, will only be covered for thirty days from date of original purchase.
7. **RESPONSIBILITIES OF WARRANTOR UNDER THIS WARRANTY:** Repair or replace, at Warrantor's option, products or components which are defective, have malfunctioned and/or failed to conform within duration of the warranty period.
8. **RESPONSIBILITIES OF PURCHASER UNDER THIS WARRANTY:**
  - A. Provide dated proof of purchase and maintenance records.
  - B. Deliver or ship the Campbell Hausfeld product or component to the nearest Campbell Hausfeld Authorized Service Center. Freight costs, if any, must be borne by the purchaser.
  - C. Use reasonable care in the operation and maintenance of the products as described in the owner's manual(s).
9. **WHEN WARRANTOR WILL PERFORM REPAIR OR REPLACEMENT UNDER THIS WARRANTY:**
  - A. Repair or replacement will be scheduled and serviced according to the normal work flow at the servicing location, and depending on the availability of replacement parts.
  - B. If the purchaser does not receive satisfactory results from the Authorized Service Center, the purchaser should contact Campbell Hausfeld (see paragraph 2)

This Limited Warranty applies in the U.S. and Canada only and gives you specific legal rights. You may also have other rights which vary from state to state, or country to country.

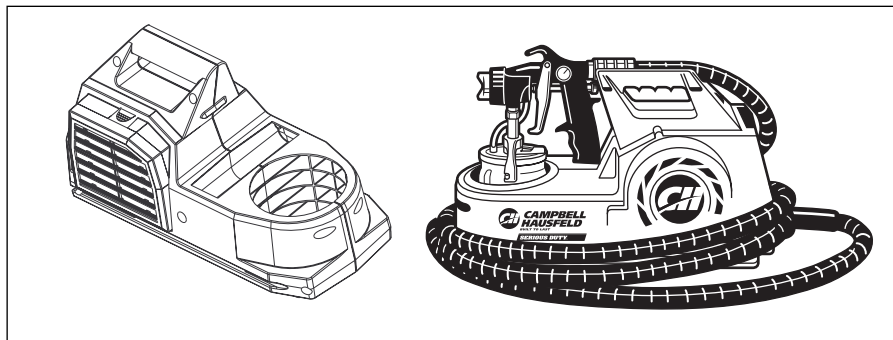


*S'il vous plaît lire et conserver ces instructions. Lire attentivement avant d'essayer d'installer, de faire fonctionner ou procéder à l'entretien du produit décrit. Se protéger ainsi que les autres en observant toute l'information de sécurité sinon, il y a risque de blessures et/ou dégâts matériels. Conserver ces instructions pour l'utilisation au futur.*



# Turbines Easy Spray

**Attention: Campbell Hausfeld recommande que l'entretien autre que celui indiqué dans le manuel d'instructions devrait être performé par un centre de service autorisé. (Pour l'Usage Domestique Seulement).**



## Spécifications

### MODÈLE HV1000

Type de ..... Avec balai, 2 étages, thru-flow  
 Moteur ..... Avec balai, 2 étages, thru-flow  
 Longueur de Tuyau ..... 4,57 m (max. 9,1 m)  
 Efficacité de Transfert ..... max. 86%  
 Poids du modèle ..... 5 kg  
 Tension ..... 115 V, 11 A  
 Compartiment d'entreposage ..... Oui

### MODÈLE HV1500

Type de ..... Avec balai, 2 étages, thru-flow  
 Moteur ..... Avec balai, 2 étages, thru-flow  
 Longueur de Tuyau ..... 4,57 m (max. 9,1 m)  
 Efficacité de Transfert ..... max 86%  
 Poids du modèle ..... 5 kg  
 Tension ..... 115 V, 11 A  
 Compartiment d'entreposage ..... Oui  
 Poids avec coffre à outils ..... 7,9 kg

### SÉRIE HV2000

Type de ..... Avec balai, 2 étages,  
 Moteur ..... Dérivation tangentielle  
 Longueur de Tuyau ..... 4,57 m (max.12,2 m)  
 Efficacité de Transfert ..... Max. 86%  
 Poids du Modèle ..... 6,8 kg  
 Tension ..... 115 V, 10,1 A  
 Compartiment d'entreposage ..... Oui

### COMPOSANTES

- (1) Turbine
- (1) Tuyau et raccord rapide
- (1) Clé - le seul outil requiert pour monter et nettoyer le modèle
- (1) Bâton de viscosité
- (2) Filtre en cône
- (1) Brosse de nettoyage

**Configuration et accessoires  
compris varient selon le modèle.**

## Description

Les turbines HVLP Campbell Hausfeld sont conçues pour générer de l'air en Haut Volume Basse Pression pour le fonctionnement de pistolets pulvérisateurs HVLP. Les turbines fonctionnent différemment que les compresseurs d'air parce qu'elles ne requièrent pas un réservoir à air pour l'air comprimé. Les turbines HVLP sont portatives, peuvent être branchées dans des prises standardes et ont un bruit semblable à celui d'un aspirateur d'atelier.

## Déballage

Lors du déballage, l'examiner soigneusement pour toute trace de dommage susceptible de s'être produit en cours de transport. Vérifier le serrage de tous les raccords, boulons, etc., avant de mettre le pulvérisateur en service. Chaque pulvérisateur a été éprouvé avant d'être expédié. Ne pas régler ou modifier les composantes de la turbine

## Généralités Sur La Sécurité

### ⚠ DANGER

*Danger indique*

*une situation hasardeuse imminente qui, si pas évitée, résultera en perte de vie ou blessure grave.*

### ⚠ AVERTISSEMENT

*Avertissement*

*indique une situation hasardeuse potentielle qui, si pas évitée, pourrait résulter en perte de vie ou blessure grave.*

### ⚠ ATTENTION

*Attention*

*indique une situation hasardeuse qui pourrait causer des blessures mineures ou modérées si ignoré. Il peut aussi indiquer un hasard qui causera seulement des dégâts matériels.*

**REMARQUE:** Remarque indique de l'information additionnelle concernant le produit ou son usage correct.

Lire toutes les instructions et directives de sécurité avant de faire fonctionner le modèle.



### ⚠ AVERTISSEMENT



- **Risque d'incendie ou d'explosion! Les vapeurs de solvants et de peinture peuvent exploser ou s'enflammer, causant des blessures graves ou des dégâts matériels.**
- **Les peintures et solvants qui contiennent des HYDROCARBURES HALOGÈNES peuvent réagir de façon explosive avec l'aluminium. Toujours consulter l'étiquette du fabricant avant d'utiliser ces matériaux dans le modèle.**
- **S'assurer que la pièce soit bien aérée.**
- **Éviter toutes sources d'allumage tels que les étincelles d'électricité statique, des flammes ouvertes, des objets chauds, des étincelles provenant du branchage et du débranchage de cordons d'alimentation ainsi que des interrupteurs d'éclairage.**

### REMARQUE SPÉCIALE CONCERNANT LES LAQUES ET AUTRES ENDUITS À BASE D'HUILE (SOLVANT)

Lorsque vous mélangez ou diluez:

1. **Éliminer les sources de feu potentielles**
  - Mettre le pulvérisateur HVPLP et toutes les autres appareils électriques ainsi que les sources d'étincelles ou de flammes hors circuit (off)
  - Respecter les directives du fabricant de la laque (ou autre enduit) et diluant (solvant)
2. **Garder les vapeurs au minimum et éliminer la possibilité de renverser la laque ou le diluant dans l'endroit de pulvérisation**
  - Bien fermer les boîtes immédiatement après leur mélange ou dilution et entreposer à l'écart des endroits de pulvérisation.
  - Ne pas faire fonctionner la turbine HVLP près des boîtes ouvertes ou de matériel renversé.
  - S'assurer que toutes les vapeurs se sont dissipées avant de mettre le pulvérisateur HVLP en marche.

## Généralités Sur La Sécurité (Suite)

• Suivre les précautions de sécurité des fabricants de matériel et de solvant. Ne pas utiliser des liquides avec des points d'éclair inférieurs à 100° F (38° C).

• Le modèle n'est pas conçu pour la pulvérisation de matériaux inflammables autre que les lacques. Voir la Remarque Spéciale sur les Lacques et autres matériaux à Base d'Huile (Solvant).

• Ne pas transporter la TURBINE pendant la pulvérisation.

• Garder la turbine à la distance maximum de l'endroit de pulvérisation.

• La pulvérisation HVLP peut produire l'électricité statique. S'assurer que les conducteurs d'électricité soient mis à la terre avant la pulvérisation pour éviter l'étincellement statique. Le pulvérisateur est mis à la terre par le cordon d'alimentation. Si un cordon prolongateur est nécessaire, il doit être un cordon à trois fils, mis à la terre, de 115 V.

• Vapeurs hasardeuses: Les peintures, les solvants, les insecticides, et d'autres matériaux peuvent être dangereux si inhalés, causant la nausée sévère, l'évanouissement ou l'empoisonnement.



• Toujours utiliser un masque ou un respirateur et de la protection oculaire lors de la peinture. S'assurer que le masque ou le respirateur fournisse la protection nécessaire contre l'inhalation de vapeurs nocifs.



• NE JAMAIS diriger le pistolet pulvérisateur vers le corps ni vers une autre personne.

### ⚠ ATTENTION

• L'inclinaison du pistolet peut causer l'obstruction. Le matériel sec peut aussi obstruer le tube de débit sous pression et les raccords. Un pistolet obstrué ne fonctionnera pas.

• Lorsqu'il est hors d'usage, s'assurer de débrancher le tuyau et placer le pistolet sur une surface solide et nivelée ou dans l'endroit d'entreposage de la turbine du pistolet pour éviter le basculement.

### INSTRUCTIONS DE MISE À LA TERRE

Ce produit doit être mis à la terre correctement. Lors d'un court-circuit, la mise à la terre réduit le risque de secousse électrique en fournissant un trajet alternatif pour le courant électrique.

Ce produit est équipé d'un cordon qui a un fil de terre et une fiche de terre appropriée. Brancher le modèle dans une prise installée et mise à la terre correctement selon les codes et ordonnances locaux.

### ⚠ DANGER

L'installation incorrecte de la broche de terre peut résulter en risque de secousse électrique. Si la réparation ou le remplacement du cordon est nécessaire, consulter un centre de service autorisé.



1. Pour des questions concernant l'installation correcte de la fiche de terre, consulter un électricien qualifié (autorisé ou certifié).
2. Ne pas modifier la fiche fournie. Si la prise ne peut pas accommoder la fiche, faire installer une nouvelle prise par un électricien qualifié.
3. Utiliser ce produit sur un circuit nominal de 120-volt qui a une fiche de terre qui ressemble la fiche dans la figure 2. S'assurer que le produit soit branché dans une prise ayant la même configuration que la fiche. Ne pas utiliser d'adaptateurs avec ce produit.

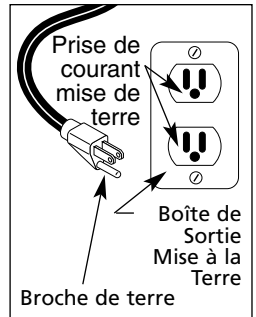


Figure 2

## Généralités Sur La Sécurité (Suite)

4. Si un cordon prolongateur est nécessaire, utiliser seulement un cordon prolongateur à trois fils qui a la même configuration que le cordon du modèle, y compris la borne de terre (ronde). S'assurer que le cordon prolongateur soit branché dans une prise mise à la terre correctement.
5. Lorsque vous utilisez un cordon prolongateur, s'assurer qu'il soit en bonne condition et de calibre assez lourd selon les spécifications dans le tableau ci-dessous. Si un cordon prolongateur est nécessaire, utilisez les tailles suivantes (Voir Tableau 1).

### Besoins de cordons prolongateurs

Cordon de 7,62 m . . calibre10,12, ou 14
Cordon de 15,24 m . . . calibre10 ou 12
Cordon de 30,48 m . . . . . calibre10

Tableau 1

## Montage

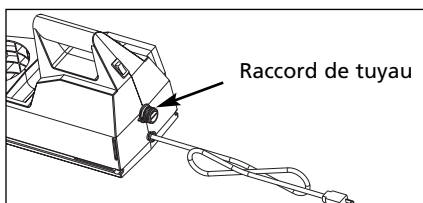


Figure 3

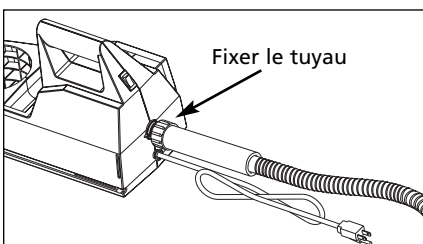


Figure 4

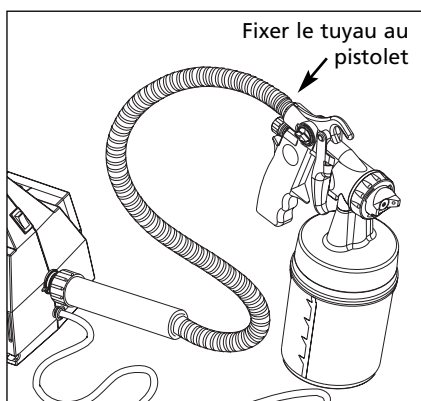


Figure 5

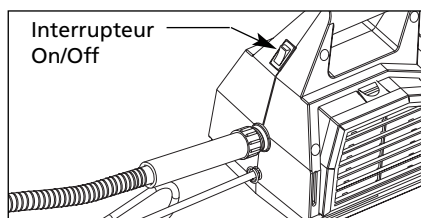


Figure 6

**Remarque:** Vous pouvez poser le pistolet dans le corps de la turbine lorsqu'il est hors d'usage. (Figure 7).

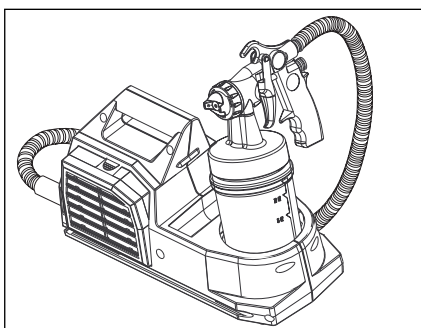


Figure 7

**Remarque:** Se référer au manuel du Pistolet Pulvérisateur pour les instructions de pulvérisation.

## Entretien

S'assurer que le filtre à air soit propre. Un filtre sale peut restreindre la circulation d'air et peut causer le surchauffage du moteur.

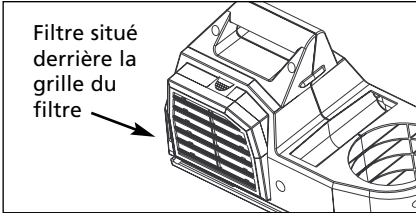


Figure 8

**IMPORTANT:** Garder le modèle à la distance maximum de l'endroit de pulvérisation pour prolonger la vie du filtre.

### ENLEVER LE FILTRE À AIR

**Modèles HV1000 et HV1500**

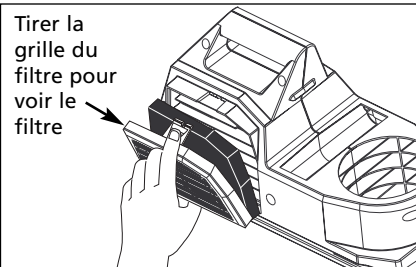


Figure 9

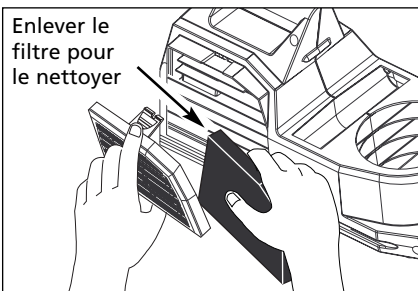


Figure 10

### Modèle HV2000

1. Enlever la vis à serrage manuel.

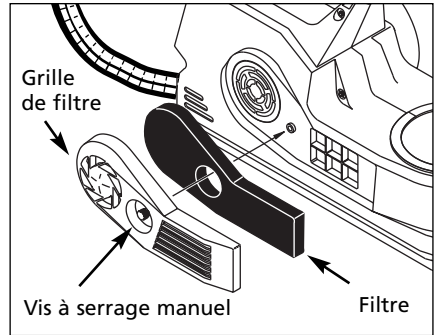


Figure 11

### NETTOYER LE FILTRE À AIR

- Si vous utilisez le latex (à base d'eau), utilisez de l'eau et un savon doux pour nettoyer le filtre. Enlever le surplus d'eau avec un torchon doux. Sécher à plat avant d'installer le filtre de nouveau.
- Remplacer le filtre si la peinture s'accumule ou si vous utilisez des enduits à base d'huile (à base de solvant).

### ⚠ AVERTISSEMENT

**Ne pas essayer de nettoyer avec des esprits minéraux ou autres solvants.**



**Pour de l'information concernant ce produit, composer le 1-800-626-4401**

## Guide de Dépannage

Symptôme	Cause(s) Possible(s)	Mesure Corrective
Circulation d'air limitée	1. Tuyau restreint ou plié 2. Filtre restreint 3. Capuchon d'air obstrué	1. Garder les tuyaux à air droits 2. Nettoyer ou remplacer le filtre 3. Nettoyer les passages du capuchon d'air
Grincement bizarre	Moteur de turbine endommagé	Contactez le centre de service

---

## Accessoires Disponibles

- **EASY STRAIN**  
Tamis de peinture réutilisable . . . . . **Pièce # HV7001**
- **EASY SHIELD**  
Protège les endroits contre la peinture . . . . . **Pièce # HV7003**
- **EASY LINER**  
Raccourcit le temps de nettoyage! . . . . . **Pièce # HV0130**

**Pour plus d'informations, ou pour commander,  
composez le 1-800-626-4401**

## Remarques

---

---

---

---

---

---

---

---

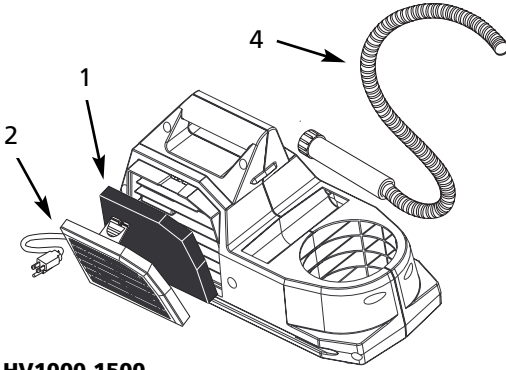
## Pour des pièces de rechange, composer le 1-800-626-4401

S.V.P. fournir l'information suivante:

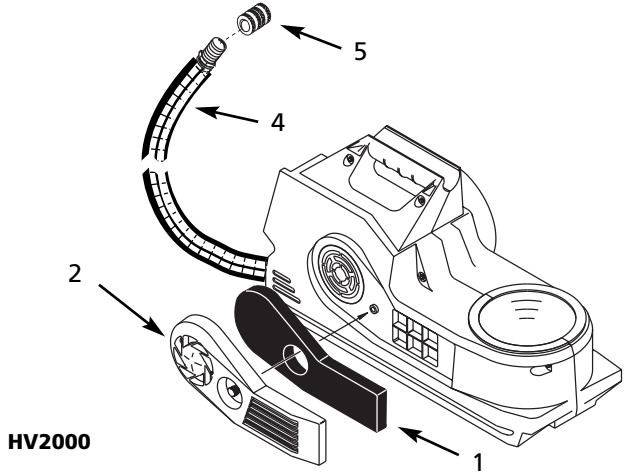
- Numéro de modèle
- Numéro de série (si applicable)
- Description et numéro de la pièce

Correspondance:

Campbell Hausfeld  
100 Production Drive  
Harrison, OH 45030 U.S.A.



**HV1000-1500**



**HV2000**

**Figure 13 - Vue Éclatée**

N° Réf.	Description	Numéro de pièce pour séries de numéros de modèle			Qté
		HV1000	HV1500	HV2000	
1	Filtre à air	HV6008	HV6008	MP3021	1
2	Grille de filtre	HV600700AV	HV600700AV	HV000300AV	1
3	Ouverture d'entrepôt	--	--	HV000400AV	1
4	Tuyau de 4,57m (15')	MP3106	MP3106	MP3106	1
	Tuyau 7,62m (25')	--	--	HV1025	
5	Raccord rapide	HV002200AV	HV002200AV	HV002200AV	1

### **Garantie Limitée**

1. DURÉE: À partir de la date d'achat par l'acheteur original comme suit - Systèmes pour Application de Peinture Service Standard (Standard Duty) et tous les Accessoires pour Application de Peinture - 1 An, Systèmes pour Application de Peinture Service Sérieux (Serious Duty) - 3 Ans, Systèmes pour Application de Peinture Service Extrême (Extreme Duty) - 5 Ans.
2. GARANTIE ACCORDÉE PAR (GARANT): Campbell Hausfeld/Scott Fetzer Company, 100 Production Drive, Harrison, Ohio, 45030, Téléphone: (800) 543-6400
3. BÉNÉFICIAIRE DE CETTE GARANTIE (ACHETEUR): L'acheteur original (sauf en cas de revente ou de location) du produit Campbell Hausfeld.
4. PRODUITS COUVERTS PAR CETTE GARANTIE: Tous les systèmes pour application de peinture qui ne sont pas actionnés par un compresseur d'air, systèmes HVLP (haut volume, basse pression), et accessoires pour application de peinture qui sont fournis par ou fabriqués par le Garant.
5. COUVERTURE DE LA PRÉSENTE GARANTIE: Défauts de matière et de fabrication qui se révèlent pendant la période de validité de la garantie. Le garant couvert aussi les articles d'usure normal contre les défauts de matière et de fabrication pendant trente jours à partir de la date d'achat. Les articles d'usure normal sont: les filtres HVLP, les balais de moteur, les garnitures de pistolets, le joint de la boîte du pistolet, le clapet du pistolet, et la bague de circulation d'air du pistolet; soupape d'arrivée sans air, soupape de sortie, soupape de pistolet, filtres, buses tous les joints et joints toriques.
6. LA PRÉSENTE GARANTIE NE COUVRE PAS:
  - A. Les garanties implicites, y compris celles de commercialisabilité et D'ADAPTION À UNE FONCTION PARTICULIÈRE SONT LIMITÉES À PARTIR DE LA DATE D'ACHAT INITIALE TELLE QU'INDIQUÉE DANS LA SECTION DURÉE. Si le produit Service Standard est utilisé pour une fonction commerciale ou industrielle, la durée de la garantie sera quatre-vingt-dix (90) jours à compter de la date d'achat. Si le produit est utilisé pour la location, la durée de la garantie sera quatre-vingt-dix jours (90) à compter de la date d'achat. Quelques Provinces (États) n'autorisent pas de limitations de durée pour les garanties implicites. Les limitations précédentes peuvent donc ne pas s'appliquer.
  - B. TOUT DOMMAGE, PERTE OU DÉPENSE FORTUIT OU INDIRECT POUVANT RÉSULTER DE TOUT DÉFAUT, PANNE OU MAUVAIS FONCTIONNEMENT DU PRODUIT CAMPBELL HAUSFELD. Quelques Provinces (États) n'autorisent pas l'exclusion ni la limitation des dommages fortuits ou indirects. La limitation ou exclusion précédente peut donc ne pas s'appliquer.
  - C. Toute panne résultant d'un accident, d'une utilisation abusive, de la négligence ou d'une utilisation ne respectant pas les instructions données dans le(s) manuel(s) accompagnant le produit. Un accident, l'utilisation abusive par l'acheteur, la négligence ou le manque de faire fonctionner les produits selon les instructions comprend aussi l'enlèvement ou la modification de n'importe quel appareil de sûreté. Si ces appareils de sûreté sont enlevés ou modifiés, la garantie sera annulée.
  - D. Réglages normaux qui sont expliqués dans le(s) manuel(s) d'utilisation accompagnant le produit.
  - E. Articles ou services qui sont exigés pour l'entretien du produit; filtres HVLP, balais de moteur, joint de boîte de pistolet, clapet de pistolet et bague de circulation d'air du pistolet; Soupape d'arrivée sans air, soupape de sortie, soupape de pistolet, filtres, buses, tous les joints et les joints toriques, ou n'importe quelle pièce qui n'est pas indispensable et n'est pas spécifiée seront couverts pendant seulement trente (30) jours à partir de la date d'achat original.
7. RESPONSABILITÉS DU GARANT AUX TERMES DE CETTE GARANTIE: Réparation ou remplacement, au choix du Garant, des produits ou pièces qui se sont révélés défectueux, qui se sont tombés en panne et/ou qui n'a pas conformé pendant la durée de validité de la garantie.
8. RESPONSABILITÉS DE L'ACHETEUR AUX TERMES DE CETTE GARANTIE:
  - A. Fournir une preuve d'achat datée et un état d'entretien.
  - B. Livraison ou expédition du produit ou de la pièce Campbell Hausfeld au Centre De Service Autorisé Campbell Hausfeld. Taux de frais, si applicables, sont la responsabilité de l'acheteur.
  - C. Utilisation et entretien du produit avec un soin raisonnable, ainsi que le décrit(vent)t le(s) manuel(s) d'utilisation.
9. RÉPARATION OU REMPLACEMENT EFFECTUÉ PAR LE GARANT AUX TERMES DE LA PRÉSENTE GARANTIE:
  - A. La réparation ou le remplacement sera prévu et exécuté en fonction de la charge de travail dans le centre de service et dépendra de la disponibilité des pièces de rechange.
  - B. Si l'acheteur n'est pas satisfait des services du Centre De Service Autorisé, l'acheteur devrait contacter Campbell Hausfeld (se référer au paragraphe 2).

Cette Garantie Limitée s'applique aux É.-U. et au Canada et vous confère des droits judiciaires précis. L'acheteur peut également jouir d'autres droits qui varient d'une Province, d'un État ou d'un Pays à l'autre.

---

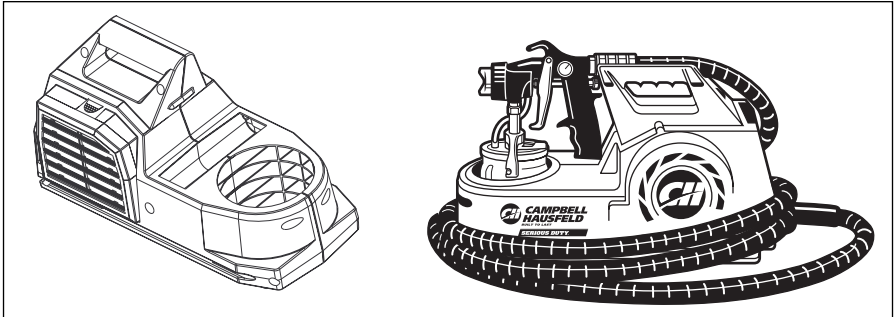


**Sírvase leer y guardar estas instrucciones. Lea con cuidado antes de tratar de armar, instalar, manejar o darle servicio al producto descrito en este manual. Protéjase Ud. y a los demás observando todas las reglas de seguridad. El no seguir las instrucciones podría resultar en heridas y/o daños a su propiedad. Guarde este manual como referencia.**



# Turbinas Easy Spray

**Atención: Campbell Hausfeld le recomienda que cualquier tipo de servicio no explicado en este manual de instrucciones debe realizarse en un centro de servicio autorizado. (Sólo para Uso Doméstico).**



## Especificaciones

### MODELO HV1000

Tipo de ..... De escobillas,  
Motor ..... 2 etapas, flujo directo  
Long. de la  
manguera . . . 4,6m (15ft) (9,1m max (30ft))  
Eficacia de Transferencia ..... .86% máx  
Peso de la Unidad ..... .5 kg (11 lbs)  
Voltaje ..... .115 volt, 11 amps  
Compartimiento para almacenar ..... Sí

### MODELO HV1500

Tipo de ..... De escobillas,  
Motor ..... 2 etapas, flujo directo  
Long. de la  
manguera . . . 4,6m (15 ft) (9,1m max (30 ft))  
Eficacia de Transferencia ..... .86% máx  
Peso de la Unidad ..... .5 kg (11 lbs)  
Voltaje ..... .115 volt, 11 amps  
Compartimiento para almacenar ..... Sí  
Peso con caja de  
herramientas ..... .7,9 kg (17.5 lbs)

### SERIE HV2000

Tipo de ..... De escobillas, 2 etapas,  
Motor ..... desvío tangencial  
Long. de la  
manguera ..... 4,57 m (15 ft.)  
(12,2m Máx.(40 ft.))  
Eficacia de Transferencia ..... .86% Max.  
Peso de la unidad ..... .6,8 kg (15 lbs)  
Voltaje ..... .115 V, 10.1 Amp  
Compartimiento para almacenar ..... Sí

### COMPONENTES

- (1) Turbina
- (1) Manguera y conector rápido
- (1) Llave - la única herramienta necesaria para ensamblar y limpiar la unidad
- (1) Viscosímetro
- (2) Conladores cónicos
- (1) Cepillo para limpiar la unidad

**La configuración y los accesorios incluidos varían según el modelo.**

## Descripción

Las turbinas HVLP de Campbell Hausfeld están diseñadas para generar altos volúmenes de aire a baja presión requeridos para operar las pistolas pulverizadoras HVLP. Las turbinas operan diferente a los compresores de aire porque no requieren tanques de aire para almacenar el aire comprimido. Las turbinas HVLP son portátiles, pueden conectarse a tomacorrientes estándar y producen un ruido similar a una aspiradora al operar.

### Para desempacar

Al desempacar la unidad, revísela cuidadosamente para cerciorarse de que no se dañó durante el transporte. Cerciórese de apretar todas las conexiones, pernos, etc que estén flojos antes de comenzar a operar la rociadora. Cada unidad ha sido sometida a pruebas antes de despacharla. No reajuste ni modifique los componentes de la turbina.

## Seguridad General

### ▲ PELIGRO

Esto le indica

**una situación de riesgo inminente, la cual, si no se evita, OCASIONARÁ la muerte o lesiones graves.**

### ▲ ADVERTENCIA

Esto le indica

**una situación potencialmente peligrosa, la cual, si no se evita, PODRÍA provocar la muerte o lesiones graves.**

### ▲ PRECAUCION

Esto le indica

**una situación potencialmente peligrosa, la cual, si no se evita, PUEDE ocasionarle lesiones leves o moderadas. También le puede indicar una situación peligrosa que ocasionaría sólo daños a su propiedad.**

**NOTA:** Las notas le indican cualquier información adicional relacionada al producto o su uso adecuado.

Lea todas las instrucciones y medidas de seguridad antes de operar la unidad.



### ▲ ADVERTENCIA



- **¡Riesgo de incendio o explosión! Los vapores emitidos por los solventes y pinturas pueden explotar o encenderse, ocasionando heridas graves o daños a su propiedad.**
- **Las pinturas y solventes que contengan HIDROCARBUROS HALOGENADOS pueden reaccionar y explotar con el aluminio. Siempre chequee la etiqueta del producto antes de utilizar estos materiales con la unidad.**
- **Cerciórese de que el área de trabajo esté bien ventilada.**
- **Evite todas las fuentes de ignición, tales como: chispas de electricidad estática, llamas al descubierto, objetos calientes, chispas producidas al conectar/desconectar cordones eléctricos e interruptores para encender luces.**
- **Siga las medidas de seguridad y advertencias del fabricante de los materiales y solventes. No use líquidos con temperaturas de inflamación inferi-**

### NOTAESPECIAL SOBRE LACAS Y OTROS MATERIALES A BASE DE ACEITE (SOLVENTES)

Para mezclarlos o diluirlos:

1. **Elimine cualquier fuente de fuego**
  - Apague la rociadora HVLP, todos los artefactos eléctricos y fuentes de chispas o llamas
  - Siga cuidadosamente las intrucciones del fabricante de la laca (u otro material) el aguarrás (solvente)
2. **Minimice los vapores en el área de trabajo. Elimine todas las posibilidades de que la laca o el aguarrás se derramen en el área de trabajo**
  - Tape y apriete bien la tapa de los envases inmediatamente después de mezclar o diluir. Almacene los envases alejados del área de trabajo.
  - No opere la turbina HVLP cerca de envases destapados o en áreas donde haya materiales derramados.
  - Cerciórese de que todos los vapores se hayan dispersados antes de encender la rociadora.

## Seguridad General (Continuación)

ores a los 38 grados Celsius (100 grados Fahrenheit).

- **Esta unidad no está diseñada para rociar materiales inflamables excepto lacas. Vea la Nota Especial sobre Lacas y otros materiales a base de aceite (Solvente).**

- **No cargue la TURBINA mientras esté rociando.**

- **Mantenga la turbina a la máxima distancia del área de trabajo.**

- **Las rociadoras HVLP pueden producir electricidad estática al operar. Cerciórese de que cualquier objeto, conductor de electricidad, esté conectado a tierra para evitar que emita chispas al pintarlo. La rociadora está conectada a tierra a través del cordón eléctrico. Si necesita usar un cordón de extensión, sólo debe utilizar cordones de 115 voltios, con tres terminales para conexión a tierra.**

- **Vapores dañinos: Los vapores emitidos por pinturas, insecticidas y otros materiales pueden ser dañinos si se inhalan y podrían ocasionarle náuseas severas, demays o envenenamiento.**



- **Siempre use una máscara o respirador y protección ocular para pintar. Cerciórese de que la máscara o respiradero le suministre la protección adecuada contra la inhalación de vapores dañinos.**



- **NUNCA apunte la pistola pulverizadora hacia ninguna parte de su cuerpo, ou otras personas.**

### ⚠ PRECAUCION

- **El virar la pistola podría ocasionar que se obstruya. El material reseco obstruye los tubos de suministro de presión y las conexiones. La pistola pulverizadora no funciona cuando está obstruida.**

- **Cuando no la esté usando, cerciórese de desconectar la manguera y colocar la pistola sobre una superficie sólida y nivelada o en el área de almacenamiento de la turbina, para evitar que se vire.**

## INSTRUCCIONES PARA CONEXION A TIERRA

Este producto debe estar conectado a tierra adecuadamente. En caso de que ocurra un cortocircuito, la conexión a tierra reduce el riesgo de electrocución o choques eléctricos al desviar la corriente eléctrica.

Este producto está equipado con un cordón eléctrico que tiene un alambre de conexión a tierra y un enchufe adecuado para la conexión a tierra. Conecte la unidad a un tomacorrientes que esté instalado adecuadamente y conectado a tierra según los códigos y ordenanzas locales.

### ⚠ PELIGRO

**La instalación incorrecta del enchufe de conexión a tierra podría ocasionar riesgos de sufrir. Si necesita reparar o reemplazar el enchufe o el cordón, consúltele a un técnico de un centro de servicio autorizado.**



1. Si tiene preguntas sobre la instalación adecuada del enchufe con conexión a tierra, consúltele a un electricista calificado (con licencia o certificado de electricista).
2. No modifique el enchufe suministrado. Si el enchufe no calza en el tomacorrientes, un electricista calificado debe instalar el tomacorrientes adecuado para el enchufe.
3. Este producto está diseñado para circuitos de 120 voltios y tiene un enchufe similar al de la Figura 2. Cerciórese de conectar el producto a un tomacorrientes que tenga la misma configuración del enchufe. No debe utilizar un adaptador para conectarlo al tomacorrientes.

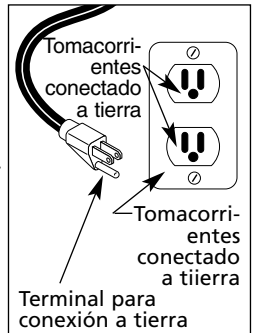


Figura 2

## Seguridad General (Continuación)

4. Si requiere usar un cordón de extensión, sólo use un cordón de extensión con 3 alambres que tenga la misma configuración al de la unidad, incluyendo el terminal redondo para conexión a tierra. Cerciórese de conectar el cordón de extensión a un tomacorrientes conectado a tierra adecuadamente.
5. Cuando utilice un cordón de extensión, cerciórese de que éste esté en buenas condiciones y cumpla las especificaciones estipuladas en la tabla a continuación. Si requiere usar un cordón de extensión, éste debe cumplir las siguientes estipulaciones (Vea la Tabla 1)

### Requisitos de los Cordones de Extensión

Cordón de 7,6m .. Calibre 10,12, ó 14  
Cordón de 15,2m ..... Calibre 10 ó 12  
Cordón de 30,5m ..... Calibre 10

Tabla 1

## Ensamblaje

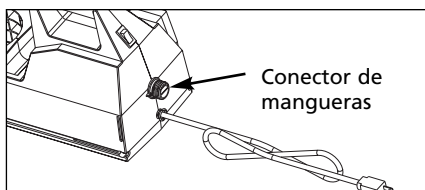


Figura 3

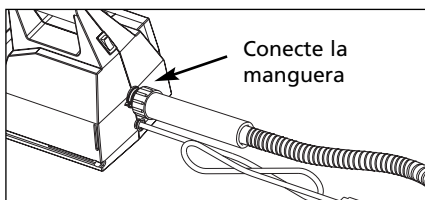


Figura 4

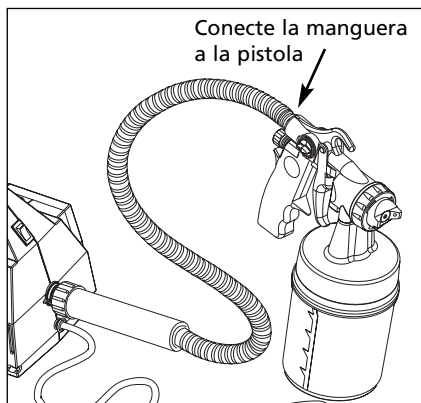


Figura 5

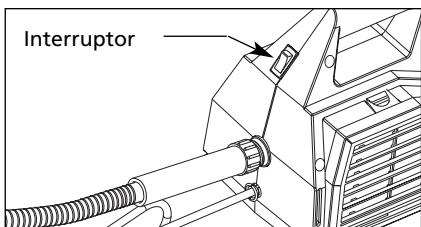
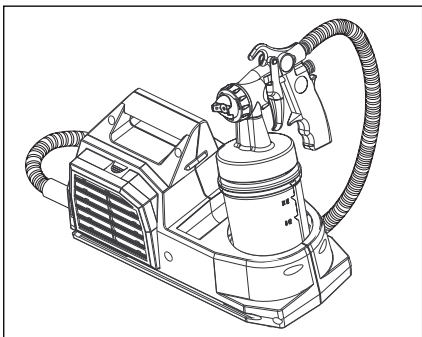


Figura 6

**Aviso:** Puede colocar la pistola sobre la turbina cuando no la esté utilizando. (Figura 7).



**Nota:** Vea las instrucciones para rociar en el manual de la pistola pulverizadora.

## Mantenimiento

Cerciórese de que el filtro de aire esté limpio. Los filtros de aire sucios restringen el flujo de aire y ocasionan que el motor se sobrecaliente.

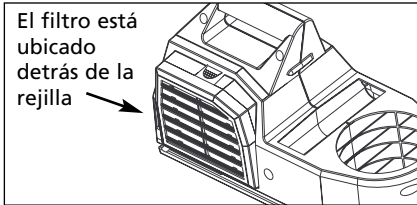


Figura 8

**IMPORTANTE:** Mantenga la unidad a la distancia máxima del área de trabajo para extender la duración del filtro.

### PARA SACAR EL FILTRO DE AIRE Modelos HV1000 y HV1500

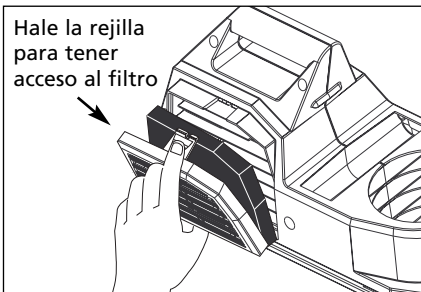


Figura 9

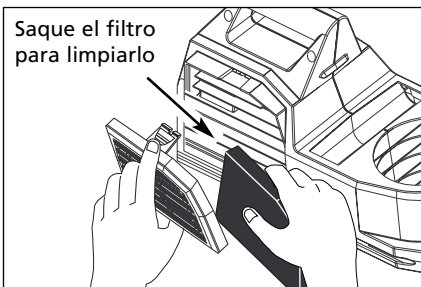


Figura 10

### Modelo HV2000

1. Saque el tornillo de alas.

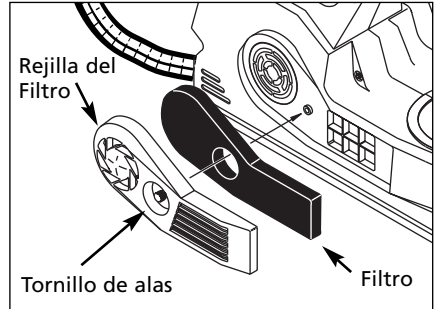


Figura 11

### PARA LIMPIAR EL FILTRO DE AIRE

- Si utilizó pinturas látex (a base de agua), use agua con un poco de jabón para limpiar el filtro. Para eliminar el exceso de agua, utilice una toalla suave. Permita que el filtro se seque antes de instalarlo.
- Reemplace el filtro si tiene pintura acumulada o después de utilizar pinturas a base de aceite (a base de solventes).

### ⚠ ADVERTENCIA

No trate de limpiarlo con aguarrás u otros solventes.



**Para mayor Información  
Sobre Este Producto  
Llame al 1-800-626-4401  
(en Estados Unidos)  
o al concesionario más  
cercano a su domicilio**

## Guía de Diagnóstico de Averías

Problema	Posible(s) Causa(s)	Acción a tomar
Flujo de aire restringido	1. La manguera está obstruida o enrollada 2. El filtro está obstruido 3. La tapa de aire está obstruida	1. Mantenga la manguera desenrollada 2. Limpie o reemplace el filtro 3. Limpie los conductos de la tapa de aire
Ruidos fuertes, poco comunes	El motor de la turbina está dañado	Comuníquese con un centro de servicio autorizado

## Accesorios Disponibles

- **EASY COLADORES**

Colador de pintura de usos múltiples . . . . . **Pieza # HV7001**

- **ESCUDOS EASY**

Protect las áreas que no desea pintar . . . . . **Pieza # HV7003**

- **FORRO EASY**

Reduce a la mitad el tiempo de limpieza . . . . . **Pieza # HV0130**

**Para mayor información, o para ordenar productos y accesorios, llame al 1-800-626-4401 (en Estados Unidos) o al concesionario más cercano a su domicilio**

## Notas

---

---

---

---

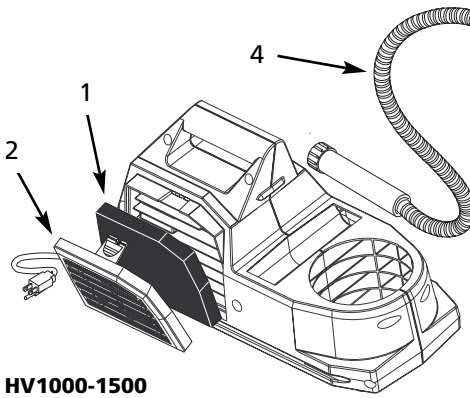
---

---

---

---

**Para ordenar repuestos, sírvase llamar al concesionario más cercano a su domicilio**

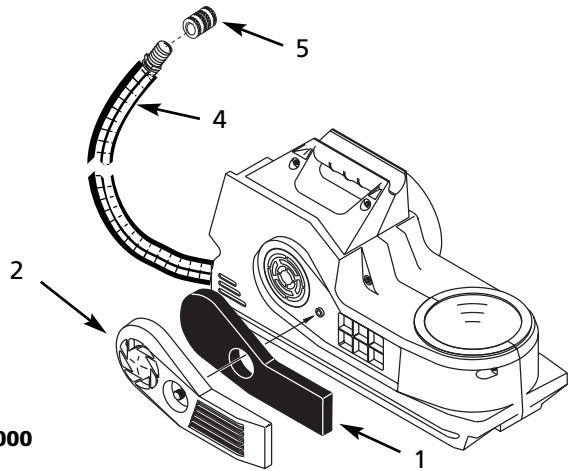


**HV1000-1500**

Sírvase suministrarlos la siguiente información:

- Número del modelo
- Número de serie (de haberlo)
- Descripción y número del repuesto tal como aparecen en la lista de repuestos

Puede escribirnos a:  
Campbell Hausfeld  
100 Production Drive  
Harrison, OH 45030 U.S.A.



**HV2000**

**Figura 13 - Vista detallada**

No. de Ref.	Descripción	Repuestos para los modelos			Ctd.
		HV1000	HV1500	HV2000	
1	Filtro de aire	HV6008	HV6008	MP3021	1
2	Rejilla del filtro	HV600700AV	HV600700AV	HV000300AV	1
3	Puerta del compartimento para almacenar accesorios	--	--	HV000400AV	1
4	Manguera de 4,6m (15')	MP3106	MP3106	MP3106	1
	Manguera de 7,6m (25')	--	--	HV1025	
5	Acoplador de conexión rápida	HV002200AV	HV002200AV	HV002200AV	1

## **Garantía Limitada**

1. **DURACIÓN:** A partir de la fecha de compra por parte del comprador original, es como sigue: Sistemas de aplicación de pintura para servicio normal y todos los accesorios de aplicación de pintura: 1 año. Sistemas de aplicación de pintura para servicio pesado: 3 años. Sistemas de aplicación de pintura para servicio extremo: 5 años.
2. **QUIÉN EMITE ESTA GARANTÍA (EL GARANTE):** Campbell Hausfeld/Una Empresa Scott Fetzer, 100 Production Drive, Harrison, Ohio, 45030, Teléfono: 1-800-626-4401.
3. **QUIÉN RECIBE ESTA GARANTÍA (EL COMPRADOR):** El comprador original (que no sea para fines de reventa o alquiler) del producto de Campbell Hausfeld.
4. **QUÉ PRODUCTOS ESTÁN AMPARADOS POR ESTA GARANTÍA:** Todos los sistemas de aplicación de pintura no accionados por compresor, los sistemas de rociado de HVLP y los accesorios de aplicación de pintura suministrados o fabricados por el garante.
5. **QUÉ ES LO QUE CUBRE ESTA GARANTÍA:** Defectos de material y mano de obra que ocurran dentro del periodo de duración de la garantía. El garante también cubrirá artículos de desgaste normal por un periodo de 30 días a partir de la fecha de compra original, contra defectos de material y mano de obra. Estos artículos de desgaste son: filtros de HVLP, escobillas de motor, empaque de la pistola, sello del depósito de la pistola, válvula de retención de la pistola y el aro de flujo de aire de la pistola; válvula de admisión sin aire, válvula de salida, válvula de pistola, filtros, boquillas, todas las juntas y los anillos en "O".
6. **QUÉ ES LO QUE NO CUBRE ESTA GARANTÍA:**
  - A. Las garantías implícitas, incluyendo las de comercialización E IDONEIDAD PARA UN PROPÓSITO ESPECÍFICO, TIENEN UN LÍMITE DE UN AÑO A PARTIR DE LA FECHA DE COMPRA ORIGINAL, TAL COMO SE ESTABLECE EN LA "DURACIÓN". Si un producto de servicio normal se utiliza para fines comerciales o industriales, la garantía registrará por noventa (90) días a partir de la fecha de compra original. Si el producto se usa para fines de alquiler, la garantía registrará por noventa (90) días desde la fecha de compra original. Algunos estados no permiten la limitación de la duración de una garantía implícita, de modo que estas restricciones tal vez no rijan para Ud.
  - B. CUALQUIER PÉRDIDA, DAÑO O GASTO EMERGENTE, INDIRECTO O DERIVADO QUE PUEDA RESULTAR DE CUALQUIER DEFECTO, FALLA O DESPERFECTO DEL PRODUCTO DE CAMPBELL HAUSFELD. Algunos estados no permiten la exclusión o limitación de daños emergentes o consecuentes, por lo que la limitación arriba mencionada podría no regir para Ud.
  - C. Cualquier falla resultante de un accidente, mal uso, negligencia u omisión en operar el producto conforme a las instrucciones contenidas en el manual o manuales del propietario, suministrados con el producto. El accidente, mal uso del comprador, negligencia u omisión en operar los productos de acuerdo a las instrucciones incluirán también la remoción o alteración de cualquier dispositivo de seguridad. Si tales dispositivos de seguridad son removidos o alterados, esta garantía no tendrá validez.
  - D. Ajustes normales que se explican en el manual del propietario suministrado con el producto.
  - E. Artículos o servicios normalmente requeridos para mantener el producto: filtros de HVLP, escobillas de motor, empaque de la pistola, sello del depósito de la pistola, válvula de retención de la pistola, y el aro de flujo de aire de la pistola; válvula de admisión sin aire, válvula de salida, válvula de pistola, filtros, boquillas, todas las juntas y los anillos en "O" o cualquier otra pieza consumible no indicada específicamente, serán cubiertos solamente durante 30 días desde la fecha de compra original.
7. **RESPONSABILIDADES DEL GARANTE EN VIRTUD DE ESTA GARANTÍA:** Reparar o reemplazar, a opción del garante, los productos o componentes que sean defectuosos, hayan funcionado mal o que no estén conformes dentro del periodo de garantía.
8. **RESPONSABILIDADES DEL COMPRADOR EN VIRTUD DE ESTA GARANTÍA:**
  - A. Proporcionar prueba de fecha de la compra y registros de mantenimiento.
  - B. Entregar o embarcar el producto de Campbell Hausfeld al Centro de Servicio Autorizado de Campbell Hausfeld más cercano. El costo de fletes, si lo hubiera, será sufragado por el comprador.
  - C. Ejercer cuidado razonable en la operación y mantenimiento del producto descrito en el (los) manual(es) del propietario.
9. **CUÁNDO EFECTUARÁ EL GARANTE LA REPARACIÓN O REEMPLAZO AL AMPARO DE ESTA GARANTÍA:**
  - A. La reparación o el reemplazo se programarán de acuerdo al flujo normal de trabajo en el centro de servicio, dependiendo de la disponibilidad de piezas de repuesto.
  - B. Si el comprador no obtiene resultados satisfactorios de un Centro de Servicio Autorizado, el comprador debe contactar al Departamento de Servicio al Cliente de Campbell Hausfeld (ver párrafo 2).

Esta garantía limitada se aplica en los Estados Unidos y Canadá y sólo le otorga derechos legales específicos, pudiendo también asistirle otros derechos, los cuales varían de un estado a otro o de un país a otro.

---