

Please read and save these instructions. Read carefully before attempting to assemble, install, operate or maintain the product described. Protect yourself and others by observing all safety information. Failure to comply with instructions could result in personal injury and/or property damage! Retain instructions for future reference.



# Variable Speed Hammer Drill

## Description

Hammer drills provide short, rapid hammer thrusts at the same time the bit turns. By adding impact to the drilling tip, the material is actually pulverized, increasing the efficiency of the drilling process and keeping the tip of the bit cooler. This hammer drill can be used in a normal drilling mode as well. Other features include variable-speed and reversing controls, which provide the ability to use the drill as a driver as well. The depth stop offers greater control, project versatility, and increases depth accuracy.

## Unpacking

When unpacking this product, carefully inspect for any damage that may have occurred during transit.

## General Safety Information

This manual contains information that is very important to know and understand. This information is provided for SAFETY and to PREVENT EQUIPMENT PROBLEMS. To help recognize this information, observe the following symbols.

**⚠ DANGER** *Danger indicates an imminently hazardous situation which, if not avoided, will result in death or serious injury.*

**⚠ WARNING** *Warning indicates a potentially hazardous situation which, if not avoided, COULD result in death or serious injury.*

**⚠ CAUTION** *Caution indicates a potentially hazardous situation which, if not avoided, MAY result in minor or moderate injury.*



### NOTICE

*important information, that if not followed, may cause damage to equipment.*

*Notice indicates*

### CALIFORNIA PROPOSITION 65

#### ⚠ DANGER

*You can create dust when you cut, sand, drill or grind materials such as wood, paint, metal, concrete, cement, or other masonry. This dust often contains chemicals known to cause cancer, birth defects, or other reproductive harm. Wear protective gear.*



#### ⚠ WARNING

*This product or its power cord contains chemicals known to the State of California to cause cancer and birth defects or other reproductive harm. Wash hands after handling.*

*Warning This*

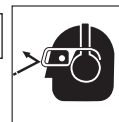
The following safety precautions must be followed at all times along with any other existing safety rules.

1. Read all manuals included with this product carefully. Be thoroughly familiar with the controls and the proper use of the equipment.
2. Only persons well acquainted with these rules of safe operation should be allowed to use the tool.



#### ⚠ WARNING

*Safety glasses and ear protection must be worn during operation.*



## Specifications

Voltage	120 V, 60 Hz
Chuck Size	1/2" (13 mm)
Max Bit Size	1/2" (13 mm)
Blows per Minute	42,000
RPM	0 - 3000
Power Rating	6 Amps

REMINDER: Keep your dated proof of purchase for warranty purposes! Attach it to this manual or file it for safekeeping.

## General Safety Information (Cont'd.)

- Do not wear loose fitting clothing, scarves, or neck ties in work area. Loose clothing may become caught in moving parts and result in serious personal injury.
- Do not wear jewelry when operating any tool. Jewelry may become caught in moving parts and result in serious personal injury.
- Always use attachments designed for use with this tool. Do not use damaged or worn attachments.
- Never trigger the tool when not applied to a work object. Attachments must be securely attached. Loose attachments can cause serious injury.
- Never point a tool at oneself or any other person. Serious injury could occur.
- Use steady, even pressure when using tool. Do not force. Too much pressure can cause drill to break or overheat.
- Keep all nuts, bolts and screws tight and ensure equipment is in safe working condition.
- Do not put hands near or under moving parts.

## General Power Tool Safety Warnings

### ⚠ WARNING

Read all safety

warnings and all instructions. Failure to follow the warnings and instructions may result in electric shock, fire and/or serious injury.

Save all warnings and instructions for future reference.

The term "power tool" in the warnings refers to your mains-operated (corded) power tool or battery-operated (cordless) power tool.

### WORK AREA SAFETY

#### ⚠ CAUTION

Keep work

area clean and well lit. Cluttered or dark areas invite accidents.

#### ⚠ WARNING

Do not operate power tools in explosive atmospheres, such as in the presence of flammable liquids, gases or dust. Power tools create sparks which may ignite the dust or fumes.



#### ⚠ CAUTION

Keep children

and bystanders away while operating a power tool. Distractions can cause you to lose control.

### ELECTRICAL SAFETY

#### ⚠ WARNING

Power tool plugs must match the outlet. Never modify the plug in any way. Do not use any adapter plugs with earthed (grounded) power tools. Unmodified plugs and matching outlets will reduce risk of electric shock.



#### ⚠ WARNING

Avoid body

contact with earthed or grounded surfaces, such as pipes, radiators, ranges and refrigerators. There is an increased risk of electric shock if your body is earthed or grounded.

#### ⚠ WARNING

Do not expose

power tools to rain or wet conditions. Water entering a power tool will increase the risk of electric shock.

#### ⚠ WARNING

Do not abuse

the cord. Never use the cord for carrying, pulling or unplugging the power tool. Keep cord away from heat, oil, sharp edges or moving parts. Damaged or entangled cords increase the risk of electric shock.

#### ⚠ WARNING

When operat-

ing a power tool outdoors, use an extension cord suitable for outdoor use. Use of a cord suitable for outdoor use reduces the risk of electric shock.

#### ⚠ WARNING

If operat-

ing a power tool in a damp location is unavoidable, use a residual current device (GFCI) protected supply. Use of a GFCI reduces the risk of electric shock.

#### ⚠ WARNING

Hold power

tools by insulated gripping surfaces when performing an operation where the cutting tool may contact hidden wiring or its own cord. Contact with a "live" wire will make exposed metal parts of the tool "live" and shock the operator.

Double insulated tools are equipped with a polarized plug (one plug blade is wider than the other). This plug will fit in a polarized outlet only one way. If the plug does not fit fully into the outlet, turn the plug over and insert into plug again.

- Make sure cord is located so that it will not be stepped on, tripped over, or otherwise subjected to damage or stress.
- Do not use an extension cord unless absolutely necessary. Use of improper extension cord could result in a risk of fire and electric shock.

If an extension cord must be used, make sure:

- That the pins on plug of extension cord are the same number, size and shape as those of plug.
  - That the extension cord is properly wired and in good electrical condition.
  - If an extension cord is to be used outdoors it must be marked with the suffix "W-A" or "W" following the cord type designation to indicate it is acceptable for outdoor use. For example – SJTW-A
- Do not expose to rain, snow or frost.
  - Do not operate tool with damaged cord or plug.
    - Have a damaged or worn power cord and/or strain relief replaced immediately.
    - Do not attempt to repair power cord.

### PERSONAL SAFETY

#### ⚠ WARNING

Stay alert,

watch what you are doing and use common sense when operating a power tool. Do not use a power tool while you are tired or under the influence of drugs, alcohol or medication. A moment of inattention while operating power tools may result in serious personal injury.

#### ⚠ WARNING

Use personal protective equipment. Always wear eye protection. Protective equipment such as dust mask, non-skid safety shoes, hard hat, or hearing protection used for appropriate conditions will reduce personal injuries.



#### Minimum Wire Size (AWG) of Extension Cord

Length of Cord in Feet	25	50	100	150
AWG Size of Cord	18	18	18	16

# General Power Tool Safety Warnings

(Cont'd.)

## CAUTION

**Prevent unintentional starting.** Ensure the switch is in the off-position before connecting to power source and/or battery pack, picking up or carrying the tool. Carrying power tools with your finger on the switch or energising power tools that have the switch on invites accidents.

## WARNING

**Remove any adjusting key or wrench before turning the power tool on.** A wrench or a key left attached to a rotating part of the power tool may result in personal injury.

## CAUTION

**Do not overreach.** Keep proper footing and balance at all times. This enables better control of the power tool in unexpected situations.



## WARNING

**Dress properly.** Do not wear loose clothing or jewellery. Keep your hair, clothing and gloves away from moving parts. Loose clothes, jewellery or long hair can be caught in moving parts.

## WARNING

**If devices are provided for the connection of dust extraction and collection facilities, ensure these are connected and properly used.** Use of dust collection can reduce dust-related hazards.

## WARNING

**Do not misuse this product.** Excessive exposure to vibration, work in awkward positions, and repetitive work motions can cause injury to hands and arms. Stop using any tool if discomfort, numbness, tingling, or pain occur, and consult a physician.

1. Wear ear protectors with impact drills. Exposure to noise can cause hearing loss.



2. Use auxiliary handle supplied with the tool. Loss of control can cause personal injury.

3. Always work in a well-ventilated area. Wear an OSHA-approved dust mask and safety glasses.



4. Keep hands away from rotating parts.

5. Use clamps or another practical way to secure the workpiece to a stable platform. Never hold work in your hand, lap, or against other parts of your body when operating tool.

## TOOL USE AND CARE

### CAUTION

**Do not force the power tool.** Use the correct power tool for your application. The correct power tool will do the job better and safer at the rate for which it was designed.

### WARNING

**Do not use the power tool if the switch does not turn it on and off.** Any power tool that cannot be controlled with the switch is dangerous and must be repaired.

### WARNING

**Disconnect the plug from the power source and/or the battery pack from the power tool before making any adjustments, changing accessories, or storing power tools.** Such preventive safety measures reduce the risk of starting the power tool accidentally.

### WARNING

**Store idle power tools out of the reach of children and do not allow persons unfamiliar**

**with the power tool or these instructions to operate the power tool.** Power tools are dangerous in the hands of untrained users.

### NOTICE

**Maintain power tools.** Check for misalignment or binding of moving parts, breakage of parts and any other condition that may affect the power tool's operation. If damaged, have the power tool repaired before use. Many accidents are caused by poorly maintained power tools.

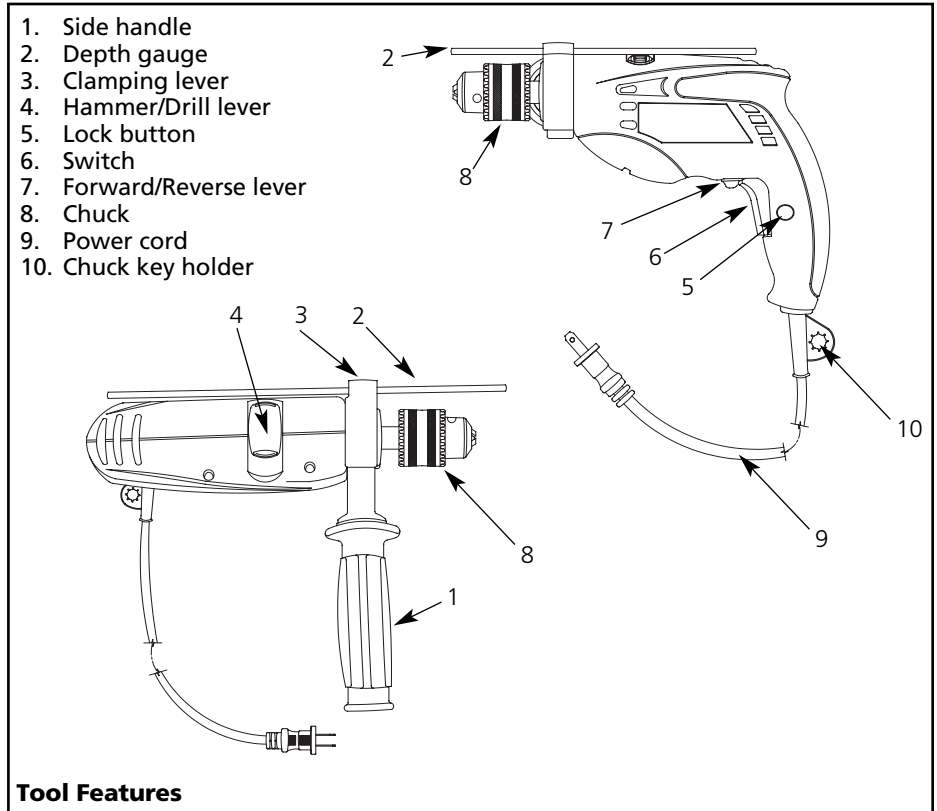
### NOTICE

**Keep cutting tools sharp and clean.** Properly maintained cutting tools with sharp cutting edges are less likely to bind and are easier to control.

### CAUTION

**Use the power tool, accessories and tool bits etc. in accordance with these instructions, taking into account the working conditions and the work to be performed.** Use of the power tool for operations different from those intended could result in a hazardous situation.

1. This tool must NOT be modified or used for any application other than that for which it was designed.



# General Power Tool Safety Warnings

(Cont'd.)

- Use only accessories that are recommended by the manufacturer for your model. Accessories suitable for one tool may create a risk of injury when used on another tool.

- Some wood contains preservatives which can be toxic. Take extra care to prevent inhalation and skin contact when working with these materials. Request and follow all safety information available from your material supplier.



## SERVICE

### NOTICE

Have your

power tool serviced by a qualified repair person using only identical replacement parts. This will ensure that the safety of the power tool is maintained.

## Assembly

Always unplug the tool and place the switch in the locked or off position before making any assembly, adjustments, or changing accessories. Such preventive safety measures reduce the risk of starting the tool accidentally.

## CHUCK

Follow these instructions when changing bits or adjusting the chuck.

- Unplug the tool.
- Open the chuck jaws wide enough to insert a bit. Allow the bit to strike the bottom of the chuck. Center the bit in the chuck jaws and tighten the jaws by hand to align the bit.
- Place the chuck key into each of the three holes in the chuck, turning it clockwise to tighten the chuck securely.

**NOTE:** Never use a wrench or means other than a chuck key to tighten or loosen the chuck.

- To remove the bit, unplug the tool, insert the chuck key into one of the holes in the chuck and turn it counterclockwise.

Be sure that the shank of the bit and the chuck jaws are clean. Dirt particles may cause the bit to line up improperly. Do not use bits larger than the maximum recommended capacity of the drill

because gear damage or motor overloading may result. For best performance, be sure that the bits are properly sharpened before use.

### WARNING

To prevent

personal injury, always remove the chuck key from the chuck after each use.

## ADJUSTING THE SIDE HANDLE

### WARNING

To reduce the risk

of injury, always use a side handle when using this tool. Always brace or hold securely.

- Unplug the tool.
- Loosen the side handle by unscrewing the side handle grip until the side handle rotates freely.
- Rotate the side handle to the desired position.
- Tighten the side handle grip securely.

## DEPTH ROD

To adjust the depth rod, loosen the handle and move rod so that the distance between the end of the rod and the end of the bit equals the desired drilling depth. When drilling with depth rod, stop when end of rod reaches surface of material.

## Pre-Operation

### SETTINGS

Hammer drills have two settings: drilling and hammer-drilling.

- For drilling, turn the hammer/drill lever towards the drill symbol.
- For hammer-drilling, turn the hammer/drill lever towards the hammer symbol.



**NOTE:** To engage the hammering mechanism, maintain pressure on the bit. When pressure on the bit is released, the hammering action will stop.

### USING FORWARD/REVERSE

The forward/reverse lever can only be adjusted when the trigger is not pressed. Always allow the motor to come to a complete stop before using the forward/reverse lever.

- For forward (clockwise) rotation, push the forward/reverse lever to the left (when viewed from the back of the tool).
- For reverse (counterclockwise) rotation, push the forward/reverse lever to the right (when viewed

from the back of the tool). Allow the motor to come to a full stop before reversing.

**NOTE:** When hammer-drilling, use the tool in forward rotation (clockwise) only.

**NOTE:** The hammer/drill lever must be in either drill, or hammer-drill mode at all times. There are no operable positions between the two.

## Operation

### WARNING

Safety glasses and ear protection must be worn during operation.



### CAUTION

Make sure

work is held securely in vise or clamped in place prior to starting operation. Loose work may spin and cause bodily injury.

## HAMMER-DRILLING OPERATION

Always unplug the drill when attaching or changing bits or accessories.

### CAUTION

There is a tremendous

and sudden twisting force exerted on the toolbit at the time of hole break-through, when the hole becomes clogged with chips and particles, or when striking reinforcing rods embedded in the concrete. Always use the side grip (auxiliary handle) and firmly hold the tool by both side grip and switch handle during operations. Failure to do so may result in the loss of control of the tool and potentially severe injury.

When drilling in concrete, granite, tile, etc., move the hammer/drill lever to the hammer-drill setting. Be sure to use a tungsten-carbide tipped bit. Use sharp drill bits only.

Position the bit at the desired location for the hole, then pull the switch trigger. Do not force the tool. Light pressure gives best results. Keep the tool in position and prevent it from slipping away from the hole.

Do not apply more pressure when the hole becomes clogged with chips or particles. Instead, run the tool at an idle, then remove the bit partially from the hole. By repeating this several times, the hole will be cleaned out and normal drilling may be resumed.

## DRILLING OPERATION

Always unplug the drill when attaching or changing bits or accessories. Use sharp drill bits only. When drilling in



## Operation (Cont'd.)

wood, metal or plastic materials, move the hammer/drill lever to the drill position.

### DRILLING IN WOOD

For WOOD, use the low speed setting and use twist drill bits, spade bits, power auger bits, or hole saws.

USE ONLY in the "low speed" gear range. Start drilling with slow speed and increase to full power while applying firm pressure on the tool. Holes in wood can be made with the same twist drills used for metal. These bits may overheat unless pulled out frequently to clear chips from the flutes. Work that is apt to splinter should be backed up with a block of wood.

When drilling in wood, composition materials and plastic, start the drill slowly, gradually increasing speed as you drill. Use low speeds for plastics with a low melting point.

When drilling in wood, the best results are obtained with wood drills equipped with a guide screw. The guide screw makes drilling easier by pulling the bit into the workpiece.

### DRILLING IN METAL

For METAL, use the "DRILL" setting and steel twist drill bits or hole saws.

USE ONLY in the "DRILL" setting. Start drilling with slow speed and increase to full power while applying firm pressure on the tool. A smooth even flow of metal chips indicates the proper drilling rate. Use a cutting lubricant when drilling metals. The exceptions are cast iron and brass which should be drilled dry. The cutting lubricants that work best are sulphurized cutting oil or lard oil; bacon-grease will also serve the purpose.

Use high speed steel twist drills or hole saws. Use a center punch to start the hole. Lubricate drill bits with cutting oil

when drilling in iron or steel. Use a coolant when drilling in nonferrous metals such as copper, brass or aluminum. Back the material to prevent binding and distortion on breakthrough.

To prevent the bit from slipping when starting a hole, make an indentation with a center-punch and hammer at the point to be drilled. Place the point of the bit in the indentation and start drilling.

### DRILLING IN MASONRY

For MASONRY, such as brick, cement, cinder block, etc., use carbide-tipped bits rated for percussion drilling and be certain that the bit is sharp.

Ensure that the hammer mode is selected. Use a constant and firm force on the tool to drill most effectively. A smooth, even flow of dust indicates the proper drilling rate.

#### **CAUTION**

*Pressing excessively*

***on the tool will not speed up the drilling. In fact, this excessive pressure will only serve to damage the tip of your bit, decrease the tool performance and shorten the service life of the tool.***

IF DRILL STALLS, it is usually because it is being overloaded or improperly used. RELEASE SWITCH IMMEDIATELY, remove drill bit from work, and determine cause of stalling. DO NOT CLICK SWITCH OFF AND ON IN AN ATTEMPT TO START A STALLED DRILL — THIS CAN DAMAGE THE DRILL.

To minimize stalling or breaking through the material, reduce pressure on drill and ease the bit through the last fractional part of the hole.

Keep the motor running when pulling the bit back out of a drilled hole. This will help prevent jamming.

## Maintenance

Tool service must be performed only by qualified repair personnel. Service or maintenance performed by unqualified personnel could result in a risk of injury.

### Cleaning

Clean out dust and debris from vents and electrical contacts by blowing with compressed air. Keep tool handles clean, dry and free of oil or grease. Use only mild soap and a damp cloth to clean the tool, keeping away from all electrical contacts.

Certain cleaning agents and solvents are harmful to plastics and other insulated parts. Some of these include gasoline, turpentine, lacquer thinner, paint thinner, chlorinated cleaning solvents, ammonia and household detergents containing ammonia.

Never use flammable or combustible solvents around tools.

### LUBRICATION

For your continued safety and electrical protection, lubrication and service on this tool should ONLY be performed by an AUTHORIZED CAMPBELL HAUSFELD SERVICE CENTER.

### TECHNICAL SERVICE

For information regarding the operation or repair of this product, please call 1-800-424-8936.

#### **CAUTION**

*Tool service*

***must be performed only by qualified repair personnel. Service or maintenance performed by unqualified personnel could result in a risk of injury.***

**For Replacement Parts or Technical Assistance, call 1-800-424-8936 or visit our website: [www.chpower.com](http://www.chpower.com)**

Please provide following information:

- Model number
- Serial number (if any)
- Part description and number as shown in parts list

Address any correspondence to:

Campbell Hausfeld  
Attn: Customer Service  
100 Production Drive  
Harrison, OH 45030 U.S.A.

### Replacement Parts List

Description	Part Number
1/2" Chuck Key	DG026800AV
Metal Depth Guide	DG026900AV
Adjustable Side Handle	DG027000AV

### **Limited Warranty**

1. **DURATION:** From the date of purchase by the original purchaser as follows: two years.
2. **WHO GIVES THIS WARRANTY (WARRANTOR):** Campbell Hausfeld / Scott Fetzer Company, 100 Production Drive, Harrison, Ohio, 45030, Telephone: (800) 424-8936.
3. **WHO RECEIVES THIS WARRANTY (PURCHASER):** The original purchaser (other than for purposes of resale) of the Campbell Hausfeld product.
4. **WHAT PRODUCTS ARE COVERED BY THIS WARRANTY:** Any Campbell Hausfeld power tool supplied or manufactured by Warrantor.
5. **WHAT IS COVERED UNDER THIS WARRANTY:** Substantial defects in material and workmanship which occur within the duration of the warranty period.
6. **WHAT IS NOT COVERED UNDER THIS WARRANTY:**
  - A. Implied warranties, including those of merchantability and FITNESS FOR A PARTICULAR PURPOSE ARE LIMITED FROM THE DATE OF ORIGINAL PURCHASE AS STATED IN THE DURATION. If this product is used for commercial, industrial or rental purposes, no warranty applies. Some States do not allow limitation on how long an implied warranty lasts, so the above limitations may not apply to you.
  - B. ANY INCIDENTAL, INDIRECT, OR CONSEQUENTIAL LOSS, DAMAGE, OR EXPENSE THAT MAY RESULT FROM ANY DEFECT, FAILURE, OR MALFUNCTION OF THE CAMPBELL HAUSFELD PRODUCT. Some States do not allow the exclusion or limitation of incidental or consequential damages, so the above limitation or exclusion may not apply to you.
  - C. Any failure that results from an accident, purchaser's abuse, neglect or failure to operate products in accordance with instructions provided in the owner's manual(s) supplied with product. Accident, purchaser's abuse, neglect or failure to operate products in accordance with instructions shall also include the removal or alteration of any safety devices. If such safety devices are removed or altered, this warranty is void.
  - D. Normal adjustments which are explained in the owner's manual(s) provided with the product.
7. **RESPONSIBILITIES OF WARRANTOR UNDER THIS WARRANTY:** Repair or replace, at Warrantor's option, products or components which are defective, have malfunctioned and/or failed to conform within duration of the warranty period.
8. **RESPONSIBILITIES OF PURCHASER UNDER THIS WARRANTY:**
  - A. Provide dated proof of purchase and maintenance records.
  - B. Call Campbell Hausfeld (800-424-8936) to obtain your warranty service options. Freight costs must be borne by the purchaser.
  - C. Use reasonable care in the operation and maintenance of the products as described in the owner's manual(s).

This Limited Warranty applies in the United States, Canada and Mexico only and gives you specific legal rights. You may also have other rights which vary from state to state or country to country.

*S'il vous plaît lire et conserver ces instructions. Lire attentivement avant de monter, installer, utiliser ou de procéder à l'entretien du produit décrit. Se protéger ainsi que les autres en observant toutes les instructions de sécurité, sinon, il y a risque de blessure et/ou dégâts matériels! Conserver ces instructions comme référence.*



## Marteau perforateur à vitesse variable

### Description

Les marteaux perforateurs fournissent des coups de marteau rapides en même temps que le foret tourne. En ajoutant l'impact sur le foret de perceuse, le matériau est pulvérisé, augmentant l'efficacité du processus de perçage et en gardant le bout du foret plus frais. Ce marteau perforateur peut servir aussi en mode normal de perçage. D'autres fonctions incluent des contrôles de vitesses variables et d'inversion qui permettent d'utiliser la perceuse comme tournevis aussi. La butée de profondeur offre un plus grand contrôle, une polyvalence pour les projets et augmente l'exactitude de profondeur.

### Déballage

En déballant ce produit, inspecter attentivement pour tout signe de dommage en transit.

### Directives De Sécurité

Ce manuel contient de l'information très importante qui est fournie pour la SÉCURITÉ et pour ÉVITER LES PROBLÈMES D'ÉQUIPEMENT. Rechercher les symboles suivants pour cette information.

#### **⚠ DANGER**

*Danger indique*

*une situation hasardeuse imminente qui RÉSULTERA en perte de vie ou blessures graves.*

#### **⚠ AVERTISSEMENT**

*Avertissement indique une situation hasardeuse potentielle qui PEUT résulter en perte de vie ou blessures graves.*

#### **⚠ ATTENTION**

*Attention indique une situation hasardeuse potentielle qui PEUT résulter en blessures.*



#### **AVIS**

*Avis indique*

*de l'information importante pour éviter le dommage de l'équipement.*

#### **PROPOSITION 65 CALIFORNIE**

#### **⚠ DANGER**

*Vous pouvez créer de la poussière en coupant, ponçant, perçant ou meulant les matériaux tels que le bois, la peinture, le métal, le béton, le ciment ou autre maçonnerie. Cette poussière contient souvent des produits chimiques reconnus pour causer le cancer, les déformations congénitales ou autres problèmes de la reproduction. Portez de l'équipement de protection.*



#### **⚠ AVERTISSEMENT**

*Ce produit*

*ou son cordon contient des produits chimiques qui de l'avis de l'État de Californie peut causer le cancer et des anomalies congénitales ou autres problèmes de reproduction. Lavez-vous les mains après la manipulation.*

Les précautions de sécurité suivantes doivent être respectées en tout temps en plus de toute autre règle de sécurité actuelle.

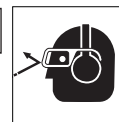
1. Lire attentivement tous les manuels, y compris celui de ce produit. Bien se familiariser avec les commandes et l'utilisation correcte de l'équipement.



2. Seules les personnes familières avec ces règles d'utilisation sans danger devraient utiliser l'outil.

#### **⚠ AVERTISSEMENT**

*Porter des lunettes de sécurité et une protection des oreilles pendant son fonctionnement.*



### Spécifications

Tension	120 V, 60 Hz
Taille de mandrin	13 mm (1/2 po)
Taille max. de foret	13 mm (1/2 po)
Coups à la minute	42 000
Tr/min	0 à 3 000
Puissance nominale	6 A

**MÉMENTO:** Gardez votre preuve datée d'achat à fin de la garantie!  
Joignez-la à ce manuel ou classez-la dans un dossier pour plus de sécurité.

## Directives De Sécurité (Suite)

- Ne pas porter de vêtements amples, de foulards ou de cravates dans l'aire de travail. Les vêtements amples pourraient se prendre dans les pièces mobiles de l'appareil et mener à de graves blessures.
- Ne pas porter de bijoux en utilisant tout outil. Les bijoux peuvent se prendre dans les pièces mobiles et mener à de graves blessures.
- Toujours utiliser les accessoires conçus pour cet outil. Ne pas utiliser d'accessoires endommagés ou usés.
- Ne jamais déclencher l'outil n'est pas appliqué à un travail. Les accessoires doivent être bien attachés. Tout accessoire desserré peut provoquer de graves blessures.
- Ne jamais pointer un outil vers soi-même ou vers toute autre personne. Des blessures graves pourraient en résulter.
- Utiliser une pression constante et uniforme en utilisant l'outil. Ne pas forcer. Trop de pression pourrait mener au bris ou à la surchauffe de la perceuse.
- Garder tous les écrous, boulons et vis serrés et faire en sorte que l'équipement soit en bon état de marche.
- Ne pas mettre les mains près ou sous les pièces mobiles.

## Avertissements de sécurité généraux pour l'outil

**AVERTISSEMENT** Lire tous les avertissements de sécurité et toutes les instructions. Ne pas suivre les avertissements et instructions peut donner lieu à un choc électrique, un incendie et/ou une blessure sérieuse.

Conserver tous les avertissements et toutes les instructions pour pouvoir s'y reporter ultérieurement.

Le terme «outil» dans les avertissements fait référence à votre outil électrique alimenté par le secteur (avec cordon d'alimentation) ou votre outil fonctionnant sur batterie (sans cordon d'alimentation).

### AIRE DE TRAVAIL

**ATTENTION** Conserver a zone de travail propre et bien éclairée. Les zones en désordre ou sombres sont propices aux accidents.

### AVERTISSEMENT

Ne pas faire fonctionner les outils électriques en atmosphère explosive, par exemple en présence de liquides inflammables, de gaz ou de poussières. Les outils électriques produisent des étincelles qui peuvent enflammer les poussières ou les fumées.



### ATTENTION

Maintenir les enfants et les personnes présentes à l'écart pendant l'utilisation de l'outil. Les distractions peuvent vous faire perdre le contrôle de l'outil.

### SÉCURITÉ ÉLECTRIQUE

### AVERTISSEMENT

Il faut que les fiches de l'outil électrique soient adaptées au socle. Ne jamais modifier la fiche de quelque façon que ce soit. Ne pas utiliser d'adaptateurs avec des outils à branchement de terre. Des fiches non modifiées et des socles adaptés réduiront le risque de choc électrique.



### AVERTISSEMENT

Eviter tout contact du corps avec des surfaces reliées à la terre telles que les tuyaux, les radiateurs, les cuisinières et les réfrigérateurs. Il existe un risque accru de choc électrique si votre corps est relié à la terre.

### AVERTISSEMENT

Ne pas exposer les outils à la pluie ou à des conditions humides. La pénétration d'eau à l'intérieur d'un outil augmentera le risque de choc électrique.

### AVERTISSEMENT

Ne pas maltraiter le cordon. Ne jamais utiliser le cordon pour porter, tirer ou débrancher l'outil. Maintenir le cordon à l'écart de la chaleur, du lubrifiant, des arêtes ou des parties en mouvement. Des cordons endommagés ou emmêlés augmentent le risque de choc électrique.

### AVERTISSEMENT

Lorsqu'on utilise un outil à l'extérieur, utiliser un prolongateur adapté à l'utilisation extérieure. L'utilisation d'un cordon adapté à l'utilisation extérieure réduit le risque de choc électrique.

### AVERTISSEMENT

Si l'usage d'un outil dans un emplacement humide est inévitable, utiliser une alimentation protégée par un dispositif à courant différentiel résiduel (RCD). L'usage d'un RCD réduit le risque de choc électrique.

### AVERTISSEMENT

Tenir l'outil électrique par ses surfaces de prise isolées en effectuant le travail lorsque l'outil de coupe pourrait entrer en contact avec un câblage caché ou son cordon électrique. Un contact avec un fil « sous tension » rendra les pièces de métal exposées de l'outil « sous tension » et produira un choc pour l'opérateur.

Les outils à double isolement sont dotés d'une fiche polarisée (une lame est plus large que l'autre). Cette fiche entre dans une prise polarisée seulement d'une manière. Si la fiche n'entre pas entièrement dans la prise, inversez-la et insérez-la à nouveau.

- S'assurer que le cordon soit placé de telle manière que l'on ne puisse pas marcher dessus, trébucher ou subir des dommages ou un stress quelconque.
- Ne pas utiliser de rallonges à moins que cela ne soit absolument nécessaire. Une mauvaise utilisation de rallonge pourrait mener à un risque d'incendie ou de choc électrique. S'il faut utiliser une rallonge, s'assurer que :
  - Les broches de la fiche de la rallonge sont du même nombre, de même taille et forme que celles de la fiche du cordon de l'outil.
  - La rallonge est bien câblée et en bon état de fonctionnement électrique.
  - Si l'on utilise une rallonge à l'extérieur, elle doit porter le suffixe "W-A" ou "W" selon la désignation du type de cordon pour indiquer s'il peut servir à l'extérieur. Par exemple - SJTW-A
- Ne pas exposer le cordon à la pluie, à la neige ou au gel.

Taille minimum de fil (AWG) de rallonge				
Longueur de cordon en pieds	25	50	100	150
Taille AWG de cordon	18	18	18	16



## Avertissements de sécurité généraux pour l'outil (suite)

- Ne pas faire fonctionner l'outil avec un cordon ou une prise endommagé(e).
  - Faire remplacer immédiatement tout cordon et/ou collier de serrage endommagé ou usé.
  - Ne pas essayer de réparer le cordon d'alimentation.

### SÉCURITÉ PERSONNELLE

**⚠ AVERTISSEMENT** *Rester vigilant, regarder ce que vous êtes en train de faire et faire preuve de bon sens dans votre utilisation de l'outil. Ne pas utiliser un outil lorsque vous êtes fatigué ou sous l'emprise de drogues, d'alcool ou de médicaments. Un moment d'inattention en cours d'utilisation d'un outil peut entraîner des blessures graves des personnes.*

**⚠ AVERTISSEMENT** *Utiliser un équipement de sécurité. Toujours porter une protection pour les yeux. Les équipements de sécurité tels que les masques contre les poussières, les chaussures de sécurité antidérapantes, les casques ou les protections acoustiques utilisés pour les conditions appropriées réduiront les blessures de personnes.*

**⚠ ATTENTION** *Eviter tout démarrage intempestif. S'assurer que l'interrupteur est en position arrêt avant de brancher l'outil au secteur et/ou au bloc de batteries, de le ramasser ou de le porter. Porter les outils en ayant le doigt sur l'interrupteur ou brancher des outils dont l'interrupteur est en position marche est source d'accidents.*

**⚠ AVERTISSEMENT** *Retirer toute clé de réglage avant de mettre l'outil en marche. Une clé laissée fixée sur une partie tournante de l'outil peut donner lieu à des blessures de personnes.*

**⚠ ATTENTION** *Ne pas se précipiter. Garder une position et un équilibre adaptés à tout moment. Cela permet un meilleur contrôle de l'outil dans des situations inattendues.*

**⚠ AVERTISSEMENT** *S'habiller de manière adaptée. Ne pas porter de vêtements amples ou de bijoux. Garder les cheveux, les vêtements et les gants à distance des parties en mouvement. Des vêtements amples, des bijoux ou*

*les cheveux longs peuvent être pris dans des parties en mouvement.*

**⚠ AVERTISSEMENT** *Si des dispositifs sont fournis pour le raccordement d'équipements pour l'extraction et la récupération des poussières, s'assurer qu'ils sont connectés et correctement utilisés. Utiliser des collecteurs de poussière peut réduire les risques dus aux poussières.*

**⚠ AVERTISSEMENT** *Ne pas abuser de ce produit. Toute exposition excessive à la vibration, tout travail dans les positions encombrantes et les motions de travail à répétition peuvent provoquer des blessures aux mains et aux bras. Cesser d'utiliser tout outil si l'on ressent un malaise, un engourdissement, un fourmillement ou une douleur et consulter un médecin.*

- Utiliser toujours de protecteurs pour les oreilles en travaillant avec une perceuse à choc. L'exposition au bruit peut causer des pertes auditives.
- Utiliser la poignée auxiliaire fournie avec l'outil. La perte de contrôle peut mener à des blessures.

- Toujours travailler dans un endroit bien ventilé. Porter un masque anti-poussières homologué OSHA et des lunettes de sécurité.

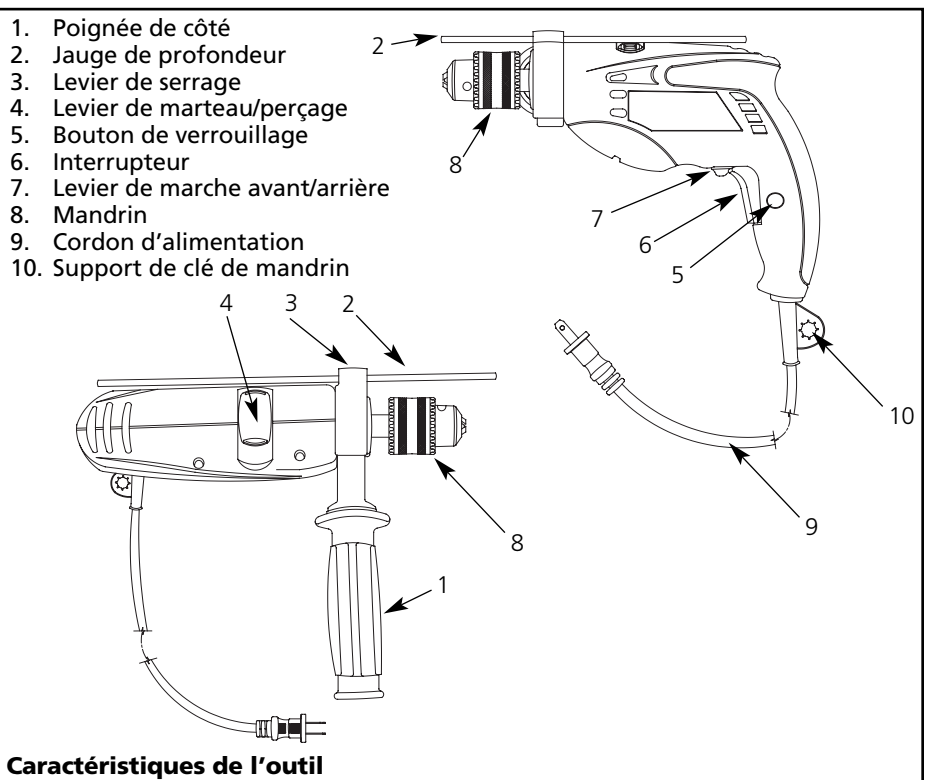


- Garder les mains loin des pièces mobiles.
- Utiliser des pinces ou tout autre moyen pratique pour fixer le travail à une plate-forme stable. Ne jamais tenir le travail dans les mains, sur les genoux ou contre toutes parties du corps en perçage.

### UTILISATION ET ENTRETIEN DE L'OUTIL

**⚠ ATTENTION** *Ne pas forcer l'outil. Utiliser l'outil adapté à votre application. L'outil adapté réalisera mieux le travail et de manière plus sûre au régime pour lequel il a été construit.*

**⚠ AVERTISSEMENT** *Ne pas utiliser l'outil si l'interrupteur ne permet pas de passer de l'état de marche à arrêt et vice versa. Tout outil qui ne peut pas être commandé par l'interrupteur est dangereux et il faut le réparer.*



## Avertissements de sécurité généraux pour l'outil (suite)

### ⚠ AVERTISSEMENT

Débrancher la fiche de la source d'alimentation en courant et/ou le bloc de batteries de l'outil avant tout réglage, changement d'accessoires ou avant de ranger l'outil. De telles mesures de sécurité préventives réduisent le risque de démarrage accidentel de l'outil.

### ⚠ AVERTISSEMENT

Conserver les outils à l'arrêt hors de la portée des enfants et ne pas permettre à des personnes ne connaissant pas l'outil ou les présentes instructions de le faire fonctionner. Les outils sont dangereux entre les mains d'utilisateurs novices.

### AVIS

Observer la

**maintenance de l'outil. Vérifier qu'il n'y a pas de mauvais alignement ou de blocage des parties mobiles, des pièces cassées ou toute autre condition pouvant affecter le fonctionnement de l'outil. En cas de dommages, faire réparer l'outil avant de l'utiliser. De nombreux accidents sont dus à des outils mal entretenus.**

### AVIS

Garder affûtés

**et propres les outils permettant de couper. Des outils destinés à couper correctement entretenus avec des pièces coupantes tranchantes sont moins susceptibles de bloquer et sont plus faciles à contrôler.**

### ⚠ ATTENTION

Utiliser l'outil,

**les accessoires et les lames etc., conformément à ces instructions, en tenant compte des conditions de travail et du travail à réaliser. L'utilisation de l'outil pour des opérations différentes de celles prévues pourrait donner lieu à des situations dangereuses.**

1. Cet outil NE peut PAS être modifié ou utilisé pour toute application autre que celle pour laquelle il a été conçu.
2. Utiliser seulement des accessoires recommandés par le fabricant par votre modèle. Les accessoires convenables pour un outil peuvent créer un risque de blessure lorsqu'ils sont utilisés pour un autre.

3. Certains bois contiennent des agents de conservation qui pourraient être toxiques. Attention d'éviter toute inhalation et contact avec la peau en travaillant avec ces matériaux. Demander et suivre toute information de sécurité disponible du fournisseur de matériaux.



## MAINTENANCE ET ENTRETIEN

### AVIS

Faire

**entretenir l'outil par un réparateur qualifié utilisant uniquement des pièces de rechange identiques. Cela assurera que la sécurité de l'outil est maintenue.**

## Assemblage

Toujours débrancher l'outil et placer l'interrupteur en position verrouillée ou d'arrêt (off) avant tout assemblage, ajustement ou changement d'accessoires. De telles mesures de sécurité préventives réduisent le risque de démarrage accidentel de l'outil.

### MANDRIN

Suivre ces instructions en changeant les forets ou en ajustant le mandrin.

1. Débrancher l'outil.
2. Ouvrir les mâchoires de mandrin suffisamment pour y insérer un foret. Laisser le foret frapper le bas du mandrin. Centrer le foret dans les mâchoires de mandrin et resserrer les mâchoires à la main pour aligner le foret.
3. Placer la clé de mandrin dans chacun des trois trous du mandrin, tourner dans le sens horaire pour bien resserrer le mandrin.

**REMARQUE :** Ne jamais utiliser une clé ou des moyens autres qu'une clé de mandrin pour resserrer ou desserrer le mandrin.

4. Pour retirer le foret, débrancher l'outil, insérer la clé de mandrin dans l'un des trous du mandrin et tourner dans le sens antihoraire.

S'assurer que la queue du foret et que les mâchoires de mandrin soient propres. Des particules de poussières peuvent mener à un mauvais alignement du foret. Ne pas utiliser de forets plus larges que la capacité maximum recommandée de la perceuse car cela pourrait mener à des dommages à l'engrenage ou à la surcharge du moteur. Pour obtenir la meilleure performance, s'assurer que les forets sont bien affûtés avant l'utilisation.

### ⚠ AVERTISSEMENT

Pour prévenir

**les blessures personnelles, toujours retirer la clé de mandrin du mandrin après chaque utilisation.**

## AJUSTER LA POIGNÉE DE CÔTÉ

### ⚠ AVERTISSEMENT

Pour réduire

**les risques de blessures, toujours utiliser une poignée de côté en utilisant cet outil. Toujours bien étayer ou tenir.**

1. Débrancher l'outil.
2. Desserrer la poignée de côté en dévissant la prise de poignée de côté jusqu'à ce que la poignée tourne librement.
3. Tourner la poignée de côté à la position voulue.
4. Bien resserrer la poignée de côté.

## TIGE DE PROFONDEUR

Pour ajuster la tige de profondeur, desserrer la poignée et déplacer la tige pour que la distance entre l'extrémité de la tige et celle du foret soit égale à la profondeur de perçage recherchée. En perçant avec une tige de profondeur, s'arrêter lorsque l'extrémité de la tige atteint la surface du matériau.

## Pré-Fonctionnement

### RÉGLAGES

Les marteaux perforateurs ont deux réglages : perçage et martelage-perçage.

1. Pour le perçage, tourner le levier de martelage-perçage vers le symbole de perceuse.
2. Pour le martelage-perçage, tourner le levier de martelage-perçage vers le symbole de marteau.



**REMARQUE :** Pour engager le mécanisme de martelage, maintenir une pression sur le foret. Lorsque la pression sur le foret est dégagée, l'action de martelage s'arrêtera.

## UTILISATION EN MARCHÉ AVANT/ARRIÈRE

Le levier de marche avant/arrière ne peut être ajusté que lorsque la gâchette n'est pas enfoncée. Toujours permettre au moteur de s'arrêter complètement avant d'utiliser le levier de marche avant/arrière.

1. Pour une rotation avant (dans le sens horaire), pousser le levier de marche avant/arrière vers la gauche (vue de l'arrière de l'outil).

## Pré-Fonctionnement

### (Suite)

2. Pour une rotation inverse (dans le sens antihoraire), pousser le levier de marche avant/arrière vers la droite (vue de l'arrière de l'outil). Laisser le moteur s'arrêter complètement avant d'inverser.

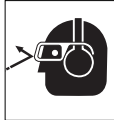
**REMARQUE :** En utilisant la fonction martelage-perçage, utiliser l'outil seulement en rotation vers l'avant (dans le sens horaire).

**REMARQUE :** Le sélecteur doit être soit en mode de perçage ou de martelage-perçage en tous temps. Il n'y a pas de positions de fonctionnement entre les deux.

## Fonctionnement

### ⚠ AVERTISSEMENT

**Porter des lunettes de sécurité quand l'appareil est en marche.**



### ⚠ ATTENTION

**S'assurer que le travail est bien en place dans l'étau ou pincé en place avant de commencer le travail. Le travail mal installé pourrait tourner et provoquer des blessures.**

### OPÉRATION DE MARTELAGE-PERÇAGE

Toujours débrancher l'appareil en installant ou changeant les forets ou les accessoires.

### ⚠ ATTENTION

**Il y a une force de torsion importante et soudaine sur l'outil foret lorsqu'on perce le trou, lorsque le trou se bloque de copeaux et particules ou en frappant les barres d'armature encastées dans le béton. Toujours utiliser la prise de côté (poignée auxiliaire) et bien tenir l'outil par la prise de côté et la poignée d'interrupteur pendant l'utilisation de l'outil. Sinon, il pourrait y avoir une perte de contrôle de l'outil et possiblement de graves blessures.**

En perçant dans le béton, le granite, les carreaux, etc., déplacer le levier du marteau/perforateur sur la position marteau-perforateur (hammer-drill). S'assurer d'utiliser un foret à embout de carbure de tungstène. Utiliser seulement des forets de perçage pointus.

Placer le foret à l'endroit voulu pour le trou, puis tirer sur la gâchette d'interrupteur. Ne pas forcer l'outil. Une faible pression donne les meilleurs résultats. Garder l'outil en place et prévenir tout glissement loin du trou.

Ne pas appliquer plus de pression lorsque le trou est bloqué de copeaux ou de particules. Faire tourner l'outil plutôt au ralenti, retirer ensuite le foret partiellement du trou. En répétant ceci plusieurs fois, le trou sera nettoyé et l'on pourrait reprendre le perçage normal.

### OPÉRATION DE PERÇAGE

Toujours débrancher l'appareil en installant ou changeant les forets ou les accessoires. Utiliser seulement des forets de perçage pointus. En perçant dans le bois, les matériaux à base de métal ou plastique, déplacer le levier du marteau/perforateur sur la position perforateur (drill).

### PERCER LE BOIS

Pour le BOIS, utiliser le réglage de faible vitesse et utiliser les forets hélicoïdaux, des forets à trois pointes, mèches à bois pneumatiques ou scies emporte-pièce.

UTILISER SEULEMENT dans la plage d'engrenage de « faible vitesse ». Commencer le perçage à faible vitesse et augmenter à la puissance complète tout en appliquant une pression ferme sur l'outil. Les trous dans le bois se font avec les mêmes forets hélicoïdaux que ceux utilisés pour le métal. Ces forets peuvent surchauffer à moins qu'on ne les sorte fréquemment pour enlever les copeaux des rainures. Le travail qui pourrait éclater doit avoir un bloc de bois de protection.

En perçant dans le bois, les matériaux composites et le plastique, commencer le perçage à basse vitesse et augmenter graduellement la vitesse en perçant. Utiliser de faibles vitesses pour les plastiques avec un point de fusion faible.

En perçant le bois, on obtient les meilleurs résultats avec des perceuses à bois dotées d'une vis mère. Cette vis facilite le perçage en tirant le foret dans la pièce de bois.

### PERCER LE MÉTAL

Pour le MÉTAL, utiliser le réglage « DRILL » (arrêt) et les forets hélicoïdaux d'acier ou les scies emporte-pièce.

UTILISER SEULEMENT au réglage « DRILL ». Commencer le perçage à faible vitesse et augmenter à la puissance complète tout en appliquant une pression ferme sur l'outil. Un écoulement uniforme de copeaux de métal indique le bon rythme de perçage. Utiliser un lubrifiant de coupe en perçant les métaux. Les exceptions sont la fonte et le laiton qui doivent être percés à sec. Les lubrifiants de coupe qui fonctionnent le mieux sont l'huile de coupe sulfurée ou l'huile de lard; la graisse de bacon peut aussi convenir.

Utiliser des forets hélicoïdaux d'acier haute vitesse ou des scies emporte-pièce. Utiliser un pointeau pour commencer le trou. Lubrifier les forets avec de l'huile de coupe en perçant dans le fer ou l'acier. Utiliser un refroidissant en perçant dans les métaux non-ferreux comme le cuivre, le laiton ou l'aluminium. Mettre un endos au matériau pour éviter le grippage et la distorsion de percée.

Pour éviter que le foret glisse en commençant un trou, faire une indentation avec un pointeau et un marteau au point à percer. Placer la pointe du foret dans l'indentation et commencer à percer.

Utiliser un lubrifiant de coupe en perçant les métaux. Les exceptions sont le fer et le laiton qui doivent être percés à sec.

### PERCER LA MAÇONNERIE

Pour MAÇONNERIE, comme les briques, le béton, les blocs d'écaillés, etc., utiliser de forets à bout de carbure avec valeur nominale pour marteau perforateur et s'assurer que la pointe est tranchante.

S'assurer de choisir le mode marteau. Utiliser une force constante et ferme sur l'outil pour percer plus efficacement. Un écoulement uniforme et lisse de poussières indique le bon rythme de perçage.

### ⚠ ATTENTION

**Trop presser sur l'outil n'accélérera pas le perçage. En fait, cette pression excessive ne fera qu'endommager l'embout de votre foret, réduira la performance de l'outil et la durée de vie utile de l'outil.**

## Fonctionnement

### (Suite)

SI LE MARTEAU-PERFORATEUR CALE, c'est normalement à cause de surcharge ou d'une mauvaise utilisation. DÉGAGER IMMÉDIATEMENT L'INTERRUPTEUR, retirer le foret du travail et déterminer la cause du problème. NE PAS PRESSER L'INTERRUPTEUR CONTINUUELLEMENT EN ESSAYANT DE DÉMARRER UN APPAREIL CALÉ - CECI POURRAIT ENDOMMAGER L'APPAREIL.

Pour réduire le calage ou passer à travers le matériau, réduire la pression sur l'appareil et passer doucement le foret à travers la dernière partie fractionnaire du trou.

Garder le moteur en marche en retirant le foret d'un trou percé. Ceci aidera à prévenir le blocage.

## Entretien

Tout le travail d'entretien et de réparation doit être effectué seulement par un personnel de réparation qualifié. L'entretien ou les réparations non effectués par un personnel qualifié pourraient mener à des blessures.

### Nettoyage

Nettoyer la saleté et les débris des événements et des contacts électriques en soufflant de l'air comprimé. Garder les poignées des outils propres, sèches et libres d'huile ou de graisse. Utiliser seulement un savon doux et un chiffon humide pour nettoyer l'outil en restant loin de tous les contacts électriques.

Certains agents de nettoyage et solvants sont dangereux pour les plastiques et autres pièces isolées. Certains de ces articles incluent : essence, térébenthine, diluant de laque, diluant de peinture, solvants de nettoyage au chlore, ammoniaque et détergents résidentiels contenant de l'ammoniaque.

Ne jamais utiliser de solvants inflammables ou combustibles autour des outils.

## LUBRIFICATION

Pour votre sécurité continue et une protection électrique, la lubrification et l'entretien de cet outil NE doit être effectué que par UN CENTRE DE SERVICE AUTORISÉ CAMPBELL HAUSFELD.

### SERVICE TECHNIQUE

Pour obtenir de l'information sur le fonctionnement ou la réparation de ce produit, veuillez appeler le 1-800-424-8936.

### **ATTENTION**

*Tout le travail*

*d'entretien et de réparation doit être effectué seulement par un personnel de réparation qualifié. L'entretien ou les réparations non effectués par un personnel qualifié pourraient mener à des blessures.*

## Pour Pièces de Rechange ou assistance technique, appeler 1-800-424-8936

S'il vous plaît fournir l'information suivante :

- Numéro de Modèle
- Numéro de série (si présent)
- Description et numéro de la pièce

Adresser toute correspondance à :

Campbell Hausfeld  
Attn: Customer Service  
100 Production Drive  
Harrison, OH 45030 U.S.A.

### Liste de Pièces de Rechange

Description	N° de Pièce
Clé de mandrin de 1/2 po (13 mm)	DG026800AV
Guide de profondeur de métal	DG026900AV
Poignée de côté ajustable	DG027000AV



**Garantie Limitée**

1. DURÉE: À partir de la date d'achat par l'acheteur original comme suit - Deux Ans
2. GARANTIE ACCORDÉE PAR (GARANT): Campbell Hausfeld/Scott Fetzer Company, 100 Production Drive, Harrison, Ohio, 45030, Téléphone: (800) 543-6400
3. BÉNÉFICIAIRE DE CETTE GARANTIE (ACHETEUR): L'acheteur original (sauf en cas de revente) du produit Campbell Hausfeld.
4. PRODUITS COUVERTS PAR CETTE GARANTIE: Tout outil mécanique Campbell Hausfeld fourni ou fabriqué par le garant.
5. COUVERTURE DE LA PRÉSENTE GARANTIE: Défauts de matière et de fabrication considérables qui se révèlent pendant la période de validité de la garantie.
6. LA PRÉSENTE GARANTIE NE COUVRE PAS:
  - A. Les garanties implicites, y compris celles de commercialisabilité et D'ADAPTION À UNE FONCTION PARTICULIÈRE SONT LIMITÉES À PARTIR DE LA DATE D'ACHAT INITIALE TELLE QU'INDIQUÉE DANS LA SECTION DURÉE. Si ce produit est utilisé à des fins commerciaux, industriels ou de locations, aucune garantie ne s'applique.. Quelques Provinces (États) n'autorisent pas de limitations de durée pour les garanties implicites. Les limitations précédentes peuvent donc ne pas s'appliquer.
  - B. TOUT DOMMAGE, PERTE OU DÉPENSE FORTUIT OU INDIRECT POUVANT RÉSULTER DE TOUT DÉFAUT, PANNE OU MAUVAIS FONCTIONNEMENT DU PRODUIT CAMPBELL HAUSFELD. Quelques Provinces (États) n'autorisent pas l'exclusion ni la limitation des dommages fortuits ou indirects. La limitation ou exclusion précédente peut donc ne pas s'appliquer.
  - C. Toute panne résultant d'un accident, d'une utilisation abusive, de la négligence ou d'une utilisation ne respectant pas les instructions données dans le(s) manuel(s) accompagnant le produit. Un accident, l'utilisation abusive par l'acheteur, la négligence ou le manque de faire fonctionner les produits selon les instructions comprend aussi l'enlèvement ou la modification de n'importe quel appareil de sûreté. Si ces appareils de sûreté sont enlevés ou modifiés, la garantie sera annulée.
  - D. Réglages normaux qui sont expliqués dans le(s) manuel(s) d'utilisation accompagnant le produit.
7. RESPONSABILITÉS DU GARANT AUX TERMES DE CETTE GARANTIE: Réparation ou remplacement, au choix du Garant, des produits ou pièces qui se sont révélés défectueux pendant la durée de validité de la garantie.
8. RESPONSABILITÉS DE L'ACHETEUR AUX TERMES DE CETTE GARANTIE:
  - A. Fournir une preuve d'achat datée et un état d'entretien.
  - B. Livraison ou expédition du produit ou de la pièce Campbell Hausfeld au Centre De Service Autorisé Campbell Hausfeld. Taux de frais, si applicables, sont la responsabilité de l'acheteur.
  - C. Utilisation et entretien du produit avec un soin raisonnable, ainsi que le décrit le(s) manuel(s) d'utilisation.

Cette Garantie Limitée s'applique aux É.-U., au Canada et au Mexique seulement et vous donne des droits juridiques précis. L'acheteur peut également jouir d'autres droits qui varient d'une Province, d'un État ou d'un Pays à l'autre.

Sírvase leer y guardar estas instrucciones. Lea con cuidado antes de tratar de armar, instalar, manejar o darle servicio al producto descrito en este manual. Protéjase Ud. y a los demás observando todas las reglas de seguridad. El no seguir las instrucciones podría resultar en heridas y/o daños a su propiedad. Guarde este manual como referencia.



## Taladro percutor con velocidad variable

### Descripción

Los taladros percutores ofrecen empujes de martillo rápidos al mismo tiempo que la broca gira. Al agregar impacto a la punta de perforación, el material se pulveriza, aumentando la eficiencia del proceso de perforación y manteniendo la punta de la broca más fría. Este taladro percutor también puede usarse en modo de taladro normal. Otras características incluyen controles de velocidad variable y de reversa, que proporcionan la capacidad de usar el taladro también como destornillador. El tope de profundidad ofrece un mayor control, mayor versatilidad del proyecto, y aumenta la exactitud de la profundidad.



### Para desempacar

Cuando desempaque este producto, inspecciónelo cuidadosamente para detectar cualquier daño que pueda haber ocurrido durante el envío.

### Informaciones Generales de Seguridad

Este manual contiene información que es muy importante que sepa y comprenda. Esta información se le suministramos como medida de SEGURIDAD y para EVITAR PROBLEMAS CON EL EQUIPO. Debe reconocer los siguientes símbolos.

#### ⚠ PELIGRO

Esto le indica

que hay una situación inmediata que LE OCASIONARIA la muerte o heridas de gravedad.

#### ⚠ ADVERTENCIA

Esto le indica

que hay una situación que PODRIA ocasionarle la muerte o heridas de gravedad.

#### ⚠ PRECAUCION

Esto le indica

que hay una situación que PODRIA ocasionarle heridas no muy graves.

#### AVISO

Esto le indica

una información importante, que de no seguirla, le podría ocasionar daños al equipo.

#### PROPOSICIÓN DE CALIFORNIA 65

#### ⚠ PELIGRO

Cuando corta, lija, taladra o pule materiales como por ejemplo madera, pintura, metal, hormigón, cemento, u otro tipo de mampostería se puede producir polvo. Con frecuencia este polvo contiene productos químicos que se conocen como causantes de cáncer, defectos congénitos u otros daños reproductivos. Use equipo de protección.



#### ⚠ ADVERTENCIA

Este

producto, o su cordón eléctrico, contiene productos químicos conocidos por el estado de California como causantes de cáncer y defectos

de nacimiento u otros daños reproductivos. Lave sus manos minuciosamente después de usar.

Las siguientes precauciones de seguridad se deben seguir en todo momento junto con cualquier otra norma de seguridad.

1. Lea con cuidado los manuales incluidos con este producto. Familiarícese con los controles y el uso adecuado del equipo.
2. Sólo se les debe permitir usar la herramienta a aquellas personas bien familiarizadas con estas reglas de manejo seguro.



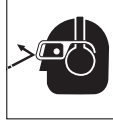
### Especificaciones

Voltaje	120 V, 60 Hz
Tamaño de broca	13mm (1/2")
Tam. máx. de broca	13mm (1/2")
Golpes por minuto	42.000
RPM	0 - 3000
Clasificación de corriente	6 Amps.

RECORDATORIO: ¡Guarde su comprobante de compra con fecha para fines de la garantía! Adjúntela a este manual o archívela en lugar seguro.

# Informaciones Generales de Seguridad (Continuación)

## ⚠ ADVERTENCIA



Se deberán usar gafas de seguridad durante la operación.

- No use vestimenta suelta, bufandas o corbatas en el área de trabajo. Las prendas sueltas pueden quedar atrapadas en las partes móviles y provocar graves lesiones personales.
- No use alhajas al manejar herramientas. Las alhajas pueden quedar atrapadas en las partes móviles y provocar graves lesiones personales.
- Utilice siempre los accesorios diseñados para usar con esta herramienta. No utilice accesorios dañados ni desgastados.
- Nunca accione la herramienta si no está aplicada a un objeto de trabajo. Los accesorios deben colocarse en forma segura. Los accesorios sueltos pueden causar lesiones graves.
- Nunca apunte una herramienta hacia usted ni hacia otra persona. Pueden ocurrir lesiones graves.
- Utilice presión firme y pareja al usar la herramienta. No la fuerce. Demasiada presión puede provocar que el taladro se quiebre o se recaliente.
- Mantenga todas las tuercas, pernos y tornillos ajustados y asegúrese de que el equipo esté en condiciones de trabajo seguras.
- No acerque las manos a las piezas móviles ni las coloque debajo de ellas.

## Información General de Seguridad sobre Herramientas Eléctricas

### ⚠ ADVERTENCIA

Lea todas las

advertencias y todas las instrucciones. El no cumplir con las advertencias e instrucciones puede causar un choque eléctrico, incendio y/o lesiones personales graves.

Guarde todas las advertencias e instrucciones para referencia futura.

La palabra "herramienta eléctrica" en las advertencias se refiere a una herramienta eléctrica accionada por la red eléctrica (por medio de cable) o a una herramienta eléctrica accionada por baterías (sin cable).

### ÁREA DE TRABAJO

#### ⚠ PRECAUCIÓN

Mantenga el área

de trabajo limpia y bien iluminada. Las áreas desordenadas u oscuras propician los accidentes.

#### ⚠ ADVERTENCIA



No haga funcionar la herramienta eléctrica en entornos explosivos, como por ejemplo cuando haya polvo, líquidos o gases inflamables. Las herramientas eléctricas hacen chispas que pueden encender los vapores o el polvo.

#### ⚠ PRECAUCIÓN

Mantenga alejados

a los observadores y niños mientras hace funcionar una herramienta eléctrica. Las distracciones pueden hacerle perder el control.

### SEGURIDAD ELÉCTRICA

#### ⚠ ADVERTENCIA



Los enchufes de la herramienta eléctrica deben coincidir con el tomacorriente. Nunca modifique el enchufe de ninguna manera. No use enchufes adaptadores con herramientas eléctricas conectadas a tierra (aterradas). Los enchufes no modificados y los tomacorrientes correspondientes reducirán el riesgo de choque eléctrico.

#### ⚠ ADVERTENCIA

Evite el contacto

corporal con las superficies conectadas a tierra, tales como tuberías, radiadores, cocinas y refrigeradores. Existe un mayor riesgo de choque eléctrico si su cuerpo está conectado a tierra.

#### ⚠ ADVERTENCIA

No esponga

las herramientas a motor a la lluvia ni a superficies mojadas. Si entra agua dentro de una herramienta a motor, el riesgo de choque eléctrico aumenta.

#### ⚠ ADVERTENCIA

Trate el cable con

cuidado. No utilice nunca el cable para llevar, halar o desenchufar la

herramienta eléctrica. Mantenga el cable alejado del calor, aceite, bordes filosos o piezas móviles. Los cables dañados o enredados aumentan el riesgo de choque eléctrico.

#### ⚠ ADVERTENCIA

Cuando acciona

una herramienta eléctrica en exteriores, use un cable de extensión apto para el uso en exteriores. El uso de un cable apto para exteriores reduce el riesgo de choque eléctrico.

#### ⚠ ADVERTENCIA

Si no es posible

evitar el uso una herramienta eléctrica en un lugar de mucha humedad, use un suministro de energía protegido de corrientes residuales (GFCI - con interruptor de descarga a tierra). El uso de un interruptor de circuito con descarga a tierra (GFCI) reduce el riesgo de choque eléctrico.

#### ⚠ ADVERTENCIA

Cuando esté

efectuando un trabajo por el cual la herramienta de corte puede entrar en contacto con un cable eléctrico oculto o su propio cable, sujete la herramienta eléctrica por las superficies de sujeción aisladas. El contacto con un cable "bajo tensión" pone las piezas metálicas de la herramienta "bajo tensión" y causa un choque eléctrico al operador.

Las herramientas doblemente aisladas están equipadas con un enchufe polarizado (un borne del enchufe es más ancho que el otro). Este enchufe calzará en un solo sentido en un tomacorriente polarizado. Si el enchufe no calza completamente en el tomacorriente, dé vuelta el enchufe y vuelva a introducirlo.

- Asegúrese de que el cable esté ubicado de tal manera que nadie lo pise ni se tropiece con él, y que no esté sujeto de alguna otra manera a algún daño o tensión.
- No use un cable de extensión a menos que sea absolutamente necesario. El uso de un cable de extensión inadecuado puede resultar en un riesgo de incendio y choque eléctrico. Si se debe usar un cable de extensión, asegúrese de que:
  - Que las clavijas del enchufe del cable de extensión tengan el mismo número, tamaño y forma que las del enchufe del cargador.
  - Que el cable de extensión esté correctamente cableado y en buenas condiciones eléctricas.

### Tamaño mínimo del cable (AWG) de extensión

Largo del cable en pies	25	50	100	150
Tamaño AWG del cable	18	18	18	16

## Información General de Seguridad sobre Herramientas Eléctricas (Continuación)

- Si el cable de extensión va a usarse en exteriores debe estar marcado con el sufijo "W-A" o "W" después de la designación del tipo de cable para indicar que es apto para usarse en exteriores. Por ejemplo: SJTW-A
- 3. No exponga el cargador a la lluvia, nieve o heladas.
- 4. No utilice la herramienta con un cable o un enchufe dañado.
  - Haga cambiar el cable de corriente dañado o desgastado y/o el liberador de tensión inmediatamente.
  - No intente reparar el cable de corriente.

### SEGURIDAD PERSONAL

#### ⚠ ADVERTENCIA

Manténgase alerta, preste atención a lo que hace y use su sentido común cuando maneje cualquier herramienta eléctrica. No use una herramienta eléctrica si está cansado o bajo la influencia de drogas, alcohol o medicamentos. Un momento de distracción mientras maneja cualquier herramienta a motor puede dar como resultado graves lesiones personales.

#### ⚠ ADVERTENCIA

Use equipo de protección personal. Siempre use protección para los ojos. El equipo de protección como máscara para polvo, calzado de seguridad antideslizante, casco o protección para los oídos, usado en las condiciones adecuadas, reduce el riesgo de lesiones personales.



#### ⚠ PRECAUCION

Evite que se encienda accidentalmente. Verifique que el interruptor se encuentre en la posición de apagado (off) antes de conectar el suministro de energía y/o la batería, recoger o transportar la herramienta. Transportar una herramienta eléctrica con el dedo sobre el interruptor o suministrar corriente a herramientas con el interruptor en posición de encendido (on) favorece la ocurrencia de accidentes.

#### ⚠ ADVERTENCIA

Retire toda llave de ajuste u otro tipo de llave antes de encender la herramienta eléctrica. Una llave o llave de ajuste

que quede sujeta a una parte rotatoria de la herramienta eléctrica puede causar lesiones personales.

#### ⚠ PRECAUCION

No intente alcanzar lugares fuera de alcance. Mantenga un buen soporte y equilibrio en todo momento. Esto le permitirá un mayor control de la herramienta eléctrica en situaciones inesperadas.



#### ⚠ ADVERTENCIA



Vístase adecuadamente. No use alhajas ni vestimenta suelta. Mantenga su cabello, vestimenta y guantes alejados de las piezas móviles. Las alhajas, las prendas sueltas, y el cabello largo pueden quedar atrapados en las partes móviles.

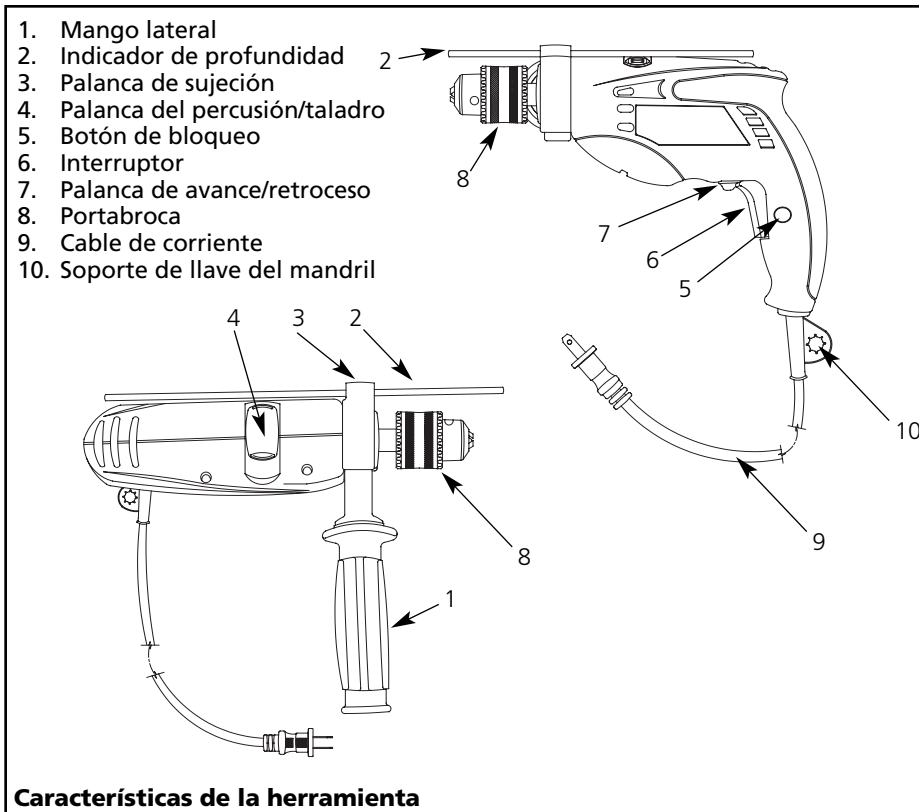
#### ⚠ ADVERTENCIA

Si se proporcionan dispositivos para la conexión a sistemas de recolección y extracción de polvo, asegúrese de que queden conectados y se usen adecuadamente. El uso de colectores de polvo puede reducir los peligros relacionados con el polvo.

#### ⚠ ADVERTENCIA

No use este producto en forma inadecuada. La exposición excesiva a la vibración, trabajar en posiciones incómodas y los movimientos de trabajo repetitivos pueden causar lesiones a las manos y brazos. Deje de usar cualquier herramienta si aparece incomodidad cosquilleo o dolor y consulte a un médico.

1. Use protectores de oído cuando trabaja con taladros de impacto. La exposición al ruido puede causar pérdida de audición. 
2. Use el mango auxiliar que se proporciona con la herramienta. La pérdida de control puede causar lesiones personales.
3. Trabaje siempre en un área bien ventilada. Use gafas de seguridad y una máscara para polvo aprobada por OSHA. 
4. Mantenga las manos alejadas de las piezas giratorias.
5. Use sujetadores u otra manera práctica de asegurar la pieza de trabajo a una plataforma estable. Nunca sostenga el trabajo en sus manos, su regazo ni contra otras partes de su cuerpo cuando trabaja con la herramienta.



Características de la herramienta



## Información General de Seguridad sobre Herramientas Eléctricas (Continuación)

### CUIDADO Y USO DE LA HERRAMIENTA

#### ⚠ PRECAUCION

No fuerce la

*herramienta eléctrica. Use la herramienta eléctrica correcta para cada aplicación. La herramienta eléctrica correcta hará el trabajo mejor y en forma más segura a la velocidad para la cual fue diseñada.*

#### ⚠ ADVERTENCIA

No use la

*herramienta si el interruptor no la enciende o no la apaga. Cualquier herramienta que no pueda ser controlada con el interruptor es peligrosa y debe repararse.*

#### ⚠ ADVERTENCIA

Antes de hacer

*cualquier ajuste, cambio de accesorios o de guardar una herramienta eléctrica, desconecte el enchufe del suministro de corriente y/o la batería de la herramienta eléctrica. Dichas medidas de seguridad preventivas reducen el riesgo de que la herramienta eléctrica se active por accidente.*

#### ⚠ ADVERTENCIA

Almacene las

*herramientas eléctricas desactivadas fuera del alcance de niños y no permita que personas que no estén familiarizadas con herramientas eléctricas o con estas instrucciones, hagan funcionar una herramienta eléctrica. Las herramientas eléctricas son peligrosas cuando están en manos de usuarios inexpertos.*

#### AVISO

Preste

*mantenimiento a las herramientas eléctricas. Verifique que las piezas móviles no estén desalineadas ni bloqueadas, que no haya piezas rotas y que no exista ningún otro problema que pueda afectar el funcionamiento de la herramienta. Si está dañada, haga reparar la herramienta eléctrica antes de usarla. Muchos accidentes son causados por herramientas eléctricas que no tienen un mantenimiento adecuado.*

#### AVISO

Mantenga sus

*herramientas de corte afiladas y limpias. Es menos probable que las herramientas de corte con un mantenimiento adecuado y con bordes de corte afilados se atasquen y además son más fáciles de controlar.*

#### ⚠ PRECAUCION

Use la

*herramienta eléctrica, sus accesorios y use la brocas etc. de acuerdo con estas instrucciones, tomando en cuenta las condiciones de trabajo y el trabajo que desea hacer. El uso de una herramienta eléctrica para trabajos diferentes de aquellos para los cuales ha sido diseñada, puede resultar en una situación peligrosa.*

1. Esta herramienta NO debe modificarse ni usarse para cualquier aplicación que no sea la aplicación para la cual fue diseñada.
2. Use solamente accesorios recomendados por el fabricante de su modelo. Los accesorios apropiados para una herramienta pueden causar un riesgo de lesión cuando se usan con otra herramienta.
3. Algunas maderas contienen conservadores que pueden ser tóxicos. Tenga especial cuidado para evitar la inhalación y el contacto con la piel con estos materiales. Solicite y cumpla con toda la información de seguridad disponible por parte de su proveedor de materiales.



### MANTENIMIENTO

#### AVISO

Haga que sólo

*personal calificado preste mantenimiento a su herramienta eléctrica y usando sólo repuestos idénticos. Esto asegura que se preserve la seguridad de la herramienta eléctrica*

## Ensamblaje

Siempre desconecte la herramienta y deje el interruptor en la posición de bloqueo o de apagado antes de hacer cualquier armado, ajuste o de cambiar accesorios. Dichas medidas de seguridad preventivas reducen el riesgo de que la herramienta se active por accidente.

### PORTABROCA

Siga estas instrucciones al cambiar las brocas o ajustar el portabroca.

1. Desenchufe la herramienta.
2. Abra las mordazas del portabroca lo suficiente como para introducir una broca. Permita que la broca toque el fondo del portabroca. Centre la broca en las mordazas del portabroca y ajuste las mordazas a mano para alinear la broca.
3. Coloque la llave del portabroca en cada uno de los tres orificios del portabroca, girando hacia la derecha para apretar el portabroca en forma segura.

**NOTA:** nunca use una llave ni otra herramienta que no sea una llave de portabroca para ajustar o aflojar el portabroca.

4. Para quitar la broca, desconecte la herramienta, introduzca la llave del portabroca en uno de los orificios del portabroca y gírela hacia la izquierda.

Asegúrese de que el eje de la broca y las mordazas del portabroca estén limpias. Las partículas de suciedad pueden provocar que la broca quede mal alineada. No use brocas más grandes que la capacidad máxima recomendada del taladro porque puede haber daño en los engranajes o sobrecarga del motor. Para un mejor rendimiento, asegúrese de que las brocas estén bien afiladas antes de usarlas.

#### ⚠ ADVERTENCIA

Para evitar

*daños personales, después de cada uso siempre retire del portabroca la llave del portabroca.*

## Ensamblaje (Continuación)

### AJUSTE DEL MANGO LATERAL

#### **ADVERTENCIA** Para reducir

el riesgo de lesiones, siempre use un mango lateral al usar esta herramienta. Siempre sujete con grapas o sostenga en forma segura.

1. Desenchufe la herramienta.
2. Afloje el mango lateral destornillándolo hasta que gire libremente.
3. Gire el mango lateral hasta la posición deseada.
4. Ajuste el mango lateral de modo seguro.

### VARILLA DE PROFUNDIDAD

Para ajustar la varilla de profundidad, afloje el mango y mueva la varilla de modo que la distancia entre el extremo de la varilla y el extremo de la broca equivalga a la profundidad de perforación. Cuando perfora con la varilla de profundidad, deténgase cuando el extremo de la varilla alcance la superficie del material.

## Pre-Funcionamiento

### CONFIGURACIONES

Los taladros percutores tienen dos funciones: taladrar y taladrar con percusión.

1. Para taladrar, coloque la palanca del taladro percutor hacia el símbolo de taladro.
2. Para taladrar con percusión, coloque la palanca del taladro percutor hacia el símbolo de martillo.



**NOTA:** para activar el mecanismo de percusión, mantenga presión sobre la broca. Cuando libere la presión que está ejerciendo sobre la broca, la acción de percusión se detendrá.

### PARA USAR LA FUNCIÓN DE AVANCE/RETROCESO

La palanca de avance/retroceso sólo puede ajustarse cuando el gatillo no está presionado. Siempre permita que el motor se detenga por completo antes de usar la palanca de avance/retroceso.

1. Para rotación hacia adelante (a la derecha), empuje la palanca de avance/retroceso hacia la izquierda (mirando desde la parte trasera de la herramienta).
2. Para rotación hacia atrás (a la izquierda), empuje la palanca de avance/retroceso hacia la derecha (mirando desde la parte trasera de la herramienta). Permita que el motor se detenga por completo antes de hacerla funcionar en modo retroceso.

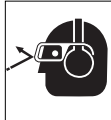
**NOTA:** al taladrar con percusión, utilice la herramienta con rotación de avance (a la derecha) únicamente.

**NOTA:** el selector debe estar o bien en modo taladro o en modo percusión/taladro en todo momento. No hay posiciones operables entre estas dos.

## Funcionamiento

#### **ADVERTENCIA**

Se deberán usar gafas de seguridad durante el funcionamiento.



#### **PRECAUCIÓN**

Asegúrese de que el trabajo esté sujeto en forma segura en una prensa de tornillo o mordaza antes de comenzar la operación. Si la pieza de trabajo está floja puede girar y causar lesiones corporales.

### OPERACIÓN DE TALADRO CON PERCUSIÓN

Siempre desenchufe el taladro cuando esté colocando o cambiando brocas o accesorios.

#### **PRECAUCIÓN**

Existente una tremenda y repentina fuerza de giro ejercida en la herramienta/broca en el momento en que se llega al otro lado del orificio, cuando el orificio se obstruye con trozos de madera y partículas, o al golpear varillas de refuerzo incrustadas en el hormigón. Siempre use el mango lateral (mango auxiliar) y tome la herramienta con firmeza tanto por el mango lateral como por el mango del interruptor durante su funcionamiento. Si no lo hace, puede perder el control de la herramienta y hay riesgo potencial de lesiones graves.

Cuando trabaja en concreto, granito, loza, etc., mueva la palanca del taladro/percutor al ajuste para taladro/percutor (hammer/drill). Asegúrese de usar una broca con punta de carburo de tungsteno. Use brocas afiladas únicamente.

Coloque la broca en la ubicación deseada para el orificio, después apriete el gatillo. No fuerce la herramienta. La presión suave da mejores resultados. Mantenga la herramienta en posición y evite que se deslice del orificio.

No aplique más presión cuando el orificio se obstruya con trozos de madera o partículas. En vez de eso, haga funcionar la herramienta sin carga, luego retire la broca parcialmente desde el orificio. Repitiendo eso varias veces, el orificio se limpiará y se podrá reanudar una perforación normal.

### OPERACIÓN DE PERFORACIÓN

Siempre desenchufe el taladro cuando esté colocando o cambiando brocas o accesorios. Use brocas afiladas únicamente. Cuando perfora materiales de madera, metal o plástico, mueva la palanca del taladro/percutor a la posición para perforación (drill).

### CÓMO TALADRAR MADERA

Para MADERA, use la configuración de baja velocidad y use brocas helicoidales, brocas de paleta, broca de berbiquí o brocas de campana.

USE ÚNICAMENTE con el engranaje "low speed" (baja velocidad). Comience a perforar a baja velocidad y vaya aumentando hasta llegar a la potencia máxima mientras aplica presión firme a la herramienta. Los orificios en la madera pueden hacerse con las mismas brocas helicoidales usadas para el metal. Estas brocas pueden recalentarse a menos que se extraigan frecuentemente para limpiar los trocitos de madera de las estrías. Los trabajos que puedan astillarse se deberían apoyar en un bloque de madera.

Cuando taladre en madera, materiales compuestos y plástico, comience con el taladro en una velocidad baja, aumentando la velocidad gradualmente a medida que taladra. Use velocidades bajas para plásticos con un punto de fusión bajo.

Cuando taladre en madera, los mejores resultados se obtienen con taladros para madera equipados con un tornillo guía. El tornillo guía facilita la perforación tirando de la broca hacia adentro de la pieza de trabajo.

## Funcionamiento (Continuación)

### PERFORACIÓN EN METAL

Para METAL, utilice la configuración "DRILL" (taladrar) y brocas helicoidales de acero o brocas de campana.

USE ÚNICAMENTE en la función "DRILL" (taladrar). Comience a perforar a baja velocidad y vaya aumentando hasta llegar a la potencia máxima mientras aplica presión firme a la herramienta. Un flujo suave y parejo de astillas de metal indica la velocidad de perforación adecuada. Use un lubricante para cortes cuando perfore metales. Las excepciones son hierro fundido y bronce que deben perforarse en seco. Los lubricantes para corte que funcionan mejor son el aceite de corte sulfurizado o la grasa de cerdo; la grasa de tocino también servirá para esto.

Use brocas helicoidales de alta velocidad o brocas de campana. Use un punzón para iniciar el orificio. Lubrique las brocas con aceite para cortar cuando taladre en hierro o acero. Use líquido refrigerante cuando taladre en metales no ferrosos como cobre, bronce o aluminio. Apoye el material para evitar el atascamiento y la distorsión en el punto de ruptura.

Para evitar que la broca se deslice al iniciar un orificio, haga una muesca con un punzón y un martillo en el punto que quiere taladrar. Coloque la punta de la broca en la muesca y comience a perforar.

Use un lubricante para cortes cuando perfore metales. Las excepciones son hierro y bronce que deben perforarse en seco.

### PERFORACIONES EN MAMPOSTERÍA

Para MAMPOSTERÍA, como ladrillo, cemento, bloque de escorias, etc., use brocas con punta de carburo aptas para taladrar con percusión y asegúrese de que la broca tenga filo.

Asegúrese de que esté seleccionado el modo de percusión. Use una fuerza constante y firme sobre la herramienta para perforar más eficazmente. Un flujo suave y parejo de polvo indica la velocidad de perforación adecuada.

#### **PRECAUCION**

*El hecho de*

**presionar en exceso la herramienta no acelerará la perforación. De hecho, esta presión excesiva solamente servirá para dañar la punta de la broca, disminuir el rendimiento de la herramienta y acortar la vida útil de la herramienta.**

SI EL TALADRO SE DETIENE, por lo general es porque se está sobrecargando o no se está usando bien. SUELTE EL INTERRUPTOR INMEDIATAMENTE, retire la broca del trabajo y determine la causa de la detención. NO APRIETE EL INTERRUPTOR PARA ENCENDER Y APAGAR INTENTANDO REANUDAR LA PERFORACIÓN; ESTO PUEDE DAÑAR EL TALADRO.

Para minimizar las detenciones o quebrar el material, disminuya la presión sobre el taladro y suelte la broca a través de la última parte fraccional del orificio.

Mantenga el motor en funcionamiento al retirar la broca de un orificio perforado. Esto ayudará a evitar los atascos.

## Mantenimiento

El servicio de la herramienta debe ser realizado sólo por personal de reparaciones calificado. El servicio o mantenimiento realizado por personas no calificadas puede provocar riesgo de lesiones.

### Limpieza

Limpie el polvo y los desechos de los orificios y contactos eléctricos, soplando con aire comprimido. Mantenga los mangos de las herramientas limpios, secos y libres de aceite o grasa. Use únicamente un jabón suave y un paño húmedo para limpiar la herramienta, evitando todos los contactos eléctricos.

Ciertos agentes de limpieza y solventes son nocivos para los plásticos y otras piezas aisladas. Algunos de éstos incluyen gasolina, aguarrás, solvente para laca, solvente de pintura, solventes de limpieza con cloro, amoníaco y detergentes de uso doméstico que contengan amoníaco.

Nunca use solventes inflamables ni combustibles cerca de las herramientas.

### LUBRICACIÓN

Para su seguridad y protección eléctrica continuas, la lubricación y el servicio de esta herramienta deberán ser realizados ÚNICAMENTE por un CENTRO DE SERVICIO AUTORIZADO DE CAMPBELL HAUSFELD.

### SERVICIO TÉCNICO

Para obtener información con relación al funcionamiento o reparación de este producto, sírvase llamar al 1-800-424-8936.

#### **PRECAUCION**

*El servicio*

**de la herramienta debe ser realizado sólo por personal de reparaciones calificado. El servicio o mantenimiento realizado por personas no calificadas puede provocar riesgo de lesiones.**

## Para Ordenar Repuestos o Asistencia Técnica, Llame al Teléfono 1-800-424-8936

Sírvase darnos la siguiente información:

- Número del modelo
- Código impreso
- Descripción y número del repuesto según la lista de repuestos

Dirija toda la correspondencia a:

Campbell Hausfeld  
Attn: Customer Service  
100 Production Drive  
Harrison, OH 45030 U.S.A.

### Lista de Repuestos

Descripción	Número del Repuesto
Llave del portabrocas de 13mm (1/2")	DG026800AV
Guía de profundidad de metal	DG026900AV
Mango lateral ajustable	DG027000AV

### **Garantía Limitada**

1. DURACION: A partir de la fecha de compra por el comprador original tal como se especifica a continuación:  
Dos años
2. QUIEN OTORGA ESTA GARANTIA (EL GARANTE: Campbell Hausfeld / The Scott Fetzer Company 100 Production Drive, Harrison, Ohio 45030 Teléfono: (800) 543-6400
3. QUIEN RECIBE ESTA GARANTIA (EL COMPRADOR): El comprador original (que no sea un revendedor) del producto Campbell Hausfeld.
4. PRODUCTOS CUBIERTOS POR ESTA GARANTIA: Cualquier herramienta a motor de Campbell Hausfeld proporcionada o fabricada por el garante.
5. COBERTURA DE LA GARANTIA: Los defectos substanciales de material y fabricación que ocurran dentro del período de validez de la garantía.
6. LO QUE NO ESTA CUBIERTO POR ESTA GARANTIA:
  - A. Las garantías implícitas, incluyendo aquellas de comercialidad E IDONEIDAD PARA FINES PARTICULARES, ESTAN LIMITADOS A LO ESPECIFICADO EN EL PARRAFO DE DURACION. Si este producto es empleado para uso comercial, industrial o para alquiler, no se aplicará ninguna garantía. En algunos estados no se permiten limitaciones a la duración de las garantías implícitas, por lo tanto, en tales casos esta limitación no es aplicable.
  - B. CUALQUIER PERDIDA DAÑO INCIDENTAL, INDIRECTO O CONSECUENTE QUE PUEDA RESULTAR DE UN DEFECTO, FALLA O MALFUNCIONAMIENTO DEL PRODUCTO CAMPBELL HAUSFELD. En algunos estados no se permite la exclusión o limitación de daños incidentales o consecuentes, por lo tanto, en tales casos esta limitación o exclusión no es aplicable
  - C. Cualquier falla que resulte de un accidente, abuso, negligencia o incumplimiento de las instrucciones de funcionamiento y uso indicadas en el (los) manual(es) que se adjunta(n) al producto. Dichos accidentes, abusos por parte del comprador, o falta de operar el producto siguiendo las instrucciones del manual de instrucciones suministrado también debe incluir la desconexión o modificación de los instrumentos de seguridad. Si dichos instrumentos de seguridad son desconectados, la garantía quedaría cancelada.
  - D. Los ajustes normales explicados en el(los) manual(es) suministrado(s) con el producto.
7. RESPONSABILIDADES DEL GARANTE BAJO ESTA GARANTIA: Reparar o reemplazar, como lo decida el Garante, los productos o componentes que estén defectuosos, se hayan dañado o hayan dejado de funcionar adecuadamente, durante el período de validez de la garantía
8. RESPONSABILIDADES DEL COMPRADOR BAJO ESTA GARANTIA:
  - A. Suministrar prueba fechada de compra y la historia de mantenimiento del producto.
  - B. Entregar o enviar el producto o componente Campbell Hausfeld al Centro de Servicio autorizado Campbell Hausfeld más cercano. Los gastos de flete, de haberlos, deben ser pagados por el comprador.
  - C. Seguir las instrucciones sobre operación y mantenimiento del producto, tal como se indica(n) en el (los) manual(es) del propietario

Esta garantía limitada es válida sólo en los EE.UU., Canadá y México y otorga derechos legales específicos. Usted también puede tener otros derechos que varían de un Estado a otro. o de un país a otro.