



# Pin Nailer

Operating Instructions and Parts Manual

## CHN71500



FRANÇAISE: Page 17  
ESPAÑOL: Página 33

IN730100AV 1/10

© 2010 Campbell Hausfeld/Scott Fetzer

## Table of Contents

---

Description . . . . .	3	Loading / Unloading The Nailer . . . . .	10
Specifications . . . . .	3	Loading the Nailer . . . . .	10
Safety Guidelines . . . . .	4	Unloading the Nailer . . . . .	10
Safety Symbols . . . . .	4	Installing No-Mar Tip . . . . .	10
Important Safety Information . . . . .	4	Removing No-Mar Tip . . . . .	10
Instructions Pertaining to a Risk of Fire, Electric Shock, or Injury to Persons. . . . .	4	Pre-Operation. . . . .	11
California Proposition 65 . . . . .	4	Operational Modes . . . . .	11
General . . . . .	4	Sequential Mode . . . . .	11
Work Area. . . . .	4	Work Contact Element (WCE). . . . .	11
Personal Safety . . . . .	5	Adjusting the Direction of the Exhaust . . . . .	11
Electrical Safety. . . . .	5	Operation . . . . .	12
Tool Use and Care . . . . .	5	Firing the Nailer . . . . .	12
Service. . . . .	6	Storage . . . . .	12
Air Source. . . . .	6	Maintenance. . . . .	12
Unpacking . . . . .	6	Clearing a Jam from the Nailer . . . . .	12
Contents . . . . .	6	Nailer Repair . . . . .	12
Additional Items Not Included . . . . .	6	Replacement Parts . . . . .	12
Assembly . . . . .	6	Assembly Procedure for Seals . . . . .	12
Glossary . . . . .	7	Technical Service . . . . .	12
Getting To Know Your Pin Nailer Like A Pro . . . . .	8	Fastener Interchange Information. . . . .	13
Features . . . . .	8	Troubleshooting Guide . . . . .	13
Adjustable Exhaust Deflector . . . . .	8	Replacement Parts List for Brad Nailer . . . . .	14 - 15
No-mar Tip . . . . .	8	Warranty . . . . .	16
Rubber Comfort Grip . . . . .	8		
Self-adjusting Pin Length Mechanism . . . . .	8		
Set-Up . . . . .	9		
Lubrication . . . . .	9		
Minimum Components Required for Hook-up. . . . .	9		
Hook-up Instructions For Nailer to Air Supply . . . . .	9		
Air Hose Requirements. . . . .	9		

---

### For parts, product and service information

**Visit:** [www.chpower.com](http://www.chpower.com)

**Call :** Customer Service at 1-800-543-6400

**Address any correspondence to:**

Campbell Hausfeld  
Attn: Customer Service  
100 Production Drive  
Harrison, OH 45030 U.S.A.



# Pin Nailer



## Description

This pin nailer is designed for tacking decorative trim, glazing strips, and picture frame assembly. Features include: convenient side loading magazine which holds up to 135 pins, no-mar tip, oil free, rubber comfort grip, swivel plug, work contact element, self-adjusting pin length mechanism, and adjustable exhaust.

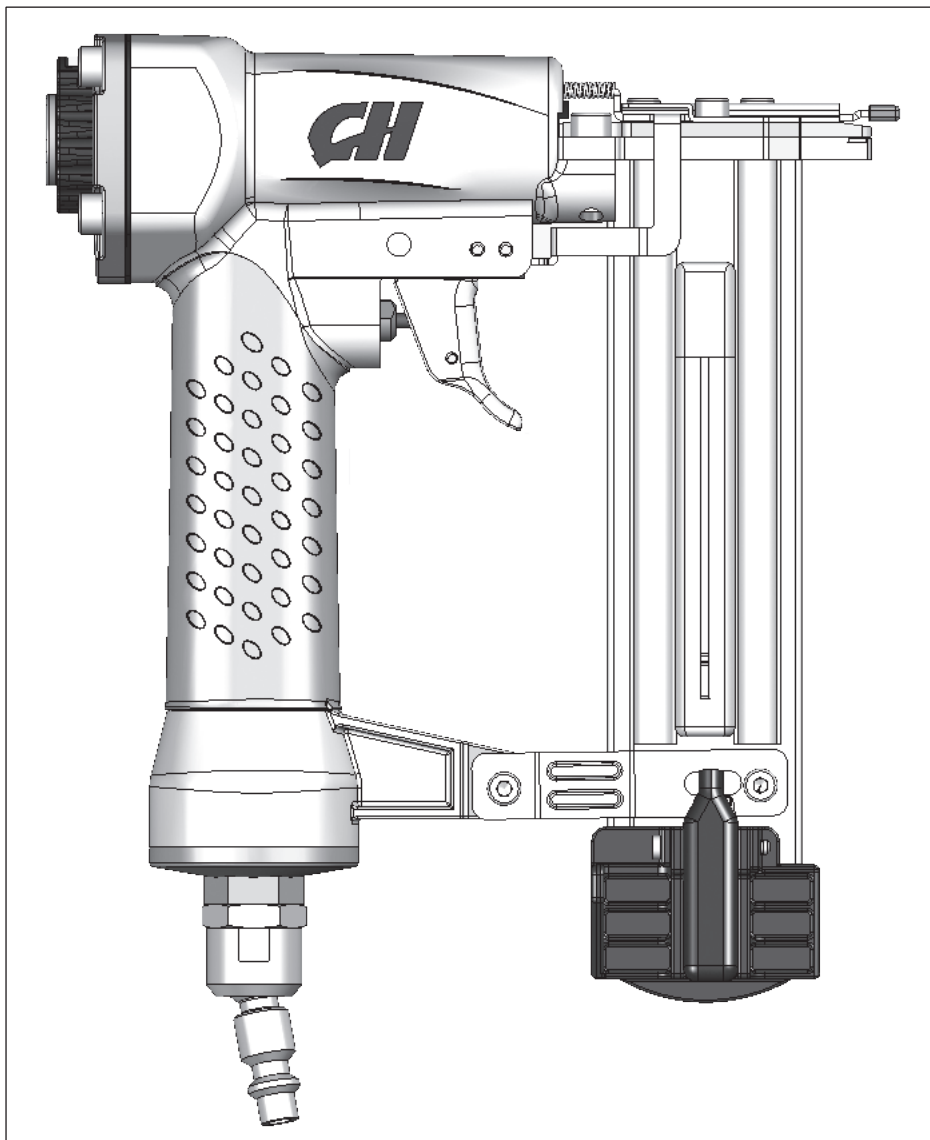


Figure 1 - CHN71500 Pin Nailer

## Specifications

### Model CHN71500

**Requires:** 0.15 Avg SCFM using 10 fasteners per minute at 90 psi

**Air Inlet:** 1/4 inch NPT

**Fastener Size Range:**  
23g micropins - 3/8 inch to 7/8 inch

**Magazine Capacity:** 135 fasteners per load

**Weight:** 2 lbs.

**Length:** 9-1/4 inches

**Height:** 7-1/4 inches

**Maximum Pressure:** 100 psi

**Pressure Range:** 60 psi to 100 psi

Locate model number and date code on magazine and / or tool body. Record below:

Model #: \_\_\_\_\_

Date Code: \_\_\_\_\_

Retain these numbers for future reference.

### Safety Guidelines

This manual contains information that is very important to know and understand. This information is provided for SAFETY and to PREVENT EQUIPMENT PROBLEMS. To help recognize this information, observe the following symbols.

**⚠ DANGER** *Danger indicates an imminently hazardous situation which, if not avoided, WILL result in death or serious injury.*

**⚠ WARNING** *Warning indicates a potentially hazardous situation which, if not avoided, COULD result in death or serious injury.*

**⚠ CAUTION** *Caution indicates a potentially hazardous situation which, if not avoided, MAY result in minor or moderate injury.*

**NOTICE** *Notice indicates important information, that if not followed, may cause damage to equipment.*

**NOTE:** Information that requires special attention.

### Safety Symbols

The following Safety Symbols appear throughout this manual to alert you to important safety hazards and precautions.



Wear Eye and Mask Protection



Read Manual First



Risk of Personal Injury



Risk of Falling



Wear Eye Protection



Wear Hearing Protection



Risk of Fire



Risk of Explosion



Risk of Shock

### Important Safety Information

#### INSTRUCTIONS PERTAINING TO A RISK OF FIRE, ELECTRIC SHOCK, OR INJURY TO PERSONS

This manual contains important safety, operational and maintenance information. If you have any questions, please call 1-800-543-6400 for customer assistance.

**⚠ WARNING** *When using tools, basic precautions should always be followed, including the following:*

#### CALIFORNIA PROPOSITION 65

**⚠ WARNING** *This product or its power cord may contain chemicals known to the State of California to cause cancer and birth defects or other reproductive harm. Wash hands after handling.*

**⚠ WARNING** *You can create dust when you cut, sand, drill or grind materials such as wood, paint, metal, concrete, cement, or other masonry. This dust often contains chemicals known to cause cancer, birth defects, or other reproductive harm. Wear protective gear.*



#### GENERAL

- To reduce the risks of electric shock, fire, and injury to persons, read all the instructions before using the tool. Failure to follow warnings, dangers, and cautions could result in DEATH or SERIOUS INJURY.
- Be thoroughly familiar with the controls and the proper use of the equipment. Follow all instructions. Contact your Campbell Hausfeld representative if you have any questions.
- Only persons well acquainted with these rules of safe operation should be allowed to use the unit.



**⚠ WARNING** *Do not operate or allow anyone else to operate the nailer if any warnings or warning labels are not legible. Warnings or warning labels are located on the nailer magazine and body.*

**⚠ WARNING** *Always assume the nailer contains nails. Respect the tool as a working implement; no horseplay. Always keep others at a safe distance from the work area in case of accidental discharge of nails. Do not point the tool toward yourself or anyone whether it contains fasteners or not. Accidental triggering of the nailer could result in death or serious personal injury.*

**⚠ CAUTION** *Do not make any modifications to the tool without first obtaining written approval from Campbell Hausfeld. Do not use the nailer if any shields or guards are removed or altered. Do not use the nailer as a hammer. Personal injury or tool damage may occur.*

**NOTICE** *Clean and check all air supply hoses and fittings before connecting the nailer to an air supply. Replace any damaged or worn hoses or fittings. Tool performance or durability may be reduced.*

#### WORK AREA

- Keep the work area clean and well lighted. Cluttered benches and dark areas increase the risks of electric shock, fire, and injury to persons.
- Do not operate the tool in explosive atmospheres, such as in the presence of flammable liquids, gases, or dust. The tool is able to create sparks resulting in the ignition of the dust or fumes.
- Keep bystanders, children, and visitors away while operating the tool. Distractions are able to result in the loss of control of the tool.



## Important Safety Information (Continued)

### PERSONAL SAFETY

- Stay alert. Watch what you are doing and use common sense when operating the tool. Do not use the tool while tired or under the influence of drugs, alcohol, or medication.** A moment of inattention while operating the tool increases the risk of injury to persons.
- Dress properly. Do not wear loose clothing or jewelry. Contain long hair. Keep hair, clothing, and gloves away from moving parts.** Loose clothes, jewelry, or long hair increases the risk of injury to persons as a result of being caught in moving parts.
- Do not overreach. Keep proper footing and balance at all times.** Proper footing and balance enables better control of the tool in unexpected situations.
- Use safety equipment.** A dust mask, non-skid safety shoes and a hard hat must be used for the applicable conditions.



**▲ WARNING** Ensuring that the tool is used only when the operator and all other personnel in the work area are wearing ANSI Z87 eye protection equipment, and when required, other appropriate protection equipment such as head, hearing and foot protection equipment. Serious eye or permanent hearing loss could result.



e. **Always wear hearing protection when using the tool.** Prolonged exposure to high intensity noise is able to cause hearing loss.



f. **Do not attach the hose or tool to your body.** Attach the hose to the structure to reduce the risk of loss of balance if the hose shifts.

g. **Always assume that the tool contains fasteners.** Do not point the tool toward yourself or anyone whether it contains fasteners or not.



**▲ WARNING** Do not drop or throw the tool. Dropping or throwing the tool can result in damage that will make the tool unusable or unsafe. If the tool has been dropped or thrown, examine the tool closely for bent, cracked or broken parts and air leaks. STOP and repair before using or serious injury could occur.

**▲ CAUTION** Avoid long extended periods of work with the nailer. Stop using the nailer if you feel pain in hands or arms.

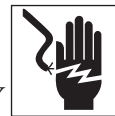
**▲ CAUTION** Hold tool by insulated gripping surface when performing an operation where the tool or fastener may contact hidden wiring. Contacting a "live" wire will make exposed metal parts of the tool "live" and shock the operator.

**▲ WARNING** Never place hands or any other body parts in the nail discharge area of the nailer. The nailer might eject a fastener and could result in death or serious personal injury.



### ELECTRICAL SAFETY

**▲ WARNING** The front end of the tool may be made "live" if the tool comes into contact with live wiring in the wall. TO PREVENT ACCIDENTAL ELECTRICAL SHOCK, HOLD TOOL ONLY BY THE SOFT GRIP HANDLE.



### TOOL USE AND CARE

a. **Do not force the tool.** Use the correct tool for the application. The correct tool will do the job better and safer at the rate for which the tool is designed.

**▲ WARNING** Disconnect the tool from the air source before making adjustments, doing tool maintenance, clearing jams, touching the safety yoke, leaving work area, loading, or unloading the tool. Such precautionary measures reduce the risk of injury to persons.

b. **Store the tool when it is idle out of reach of children and other untrained persons.** A tool is dangerous in the hands of untrained users.

c. **Maintain the tool with care.** A properly maintained tool reduces the risk of problems and is easier to control.

d. **Use only those fasteners listed in the "Fastener Interchange Information" section on page 12 of this manual.** Fasteners not identified for use with this tool by the tool manufacturer are able to result in a risk of injury to persons or tool damage when used in this tool.

e. **Always work in a well-ventilated area. Wear OSHA-approved dust mask.**

**▲ WARNING** Always disconnect the tool from the power source when unattended, performing any maintenance or repair, clearing a jam, loading, unloading, or moving the tool to a new location.

**▲ WARNING** Always fit tool with a fitting or hose coupling on or near the tool in such a manner that all compressed air in the tool is discharged at the time the fitting or hose coupling is disconnected. Do not use a check valve or any other fitting which allows air to remain in the nailer. Death or serious personal injury could occur.

**▲ WARNING** Never carry the nailer by the air hose or pull the hose to move the nailer or a compressor. Keep hoses away from heat, oil and sharp edges. Replace any hose that is damaged, weak or worn. Personal injury or tool damage could occur.

**▲ WARNING** Do not drive a nail on top of other nails. The nail could glance and cause death or a serious puncture wound.

f. **Do not remove any labels from the tool.**

g. **Do not modify or alter the nailer or any nailer parts. Do not use the nailer if any shields or guards are removed or altered.** Do not use the nailer as a hammer. Personal injury or tool damage may occur.

**▲ DANGER** Do not use any type of flammable gases or oxygen as a power source for the nailer. Use filtered, lubricated, regulated compressed air only. Use of a compressed gas instead of compressed air may cause the nailer to explode which will cause death or serious personal injury.



## Important Safety Information (Continued)

**⚠ DANGER** *Never use gasoline or other flammable liquids to clean the nailer. Never use the nailer in the presence of flammable liquids or gases. Vapors could ignite by a spark and cause an explosion which will result in death or serious personal injury.*

**h. Avoid using the nailer when the magazine is empty.**  
Accelerated wear on the nailer may occur.

**⚠ DANGER** *Do not modify or disable the Work Contact Element (WCE). Do not tie or tape the WCE or trigger in a depressed position. Death or serious personal injury could result.*

**⚠ CAUTION** *Always check that the Work Contact Element (WCE) is operating properly. A nail could accidentally be driven if the WCE is not working properly. Personal injury may occur.*

**⚠ DANGER** *Do not touch the trigger unless driving nails. Never attach air line to nailer or carry nailer while touching the trigger. The tool could eject a fastener which will result in death or serious personal injury.*

## SERVICE

- Tool service must be performed only by qualified repair personnel.
- When servicing a tool, use only identical replacement parts. Use only authorized parts.
- Use only the lubricants supplied with the tool or specified by the manufacturer.

**⚠ CAUTION** *Disconnect air supply and release tension from the pusher before attempting to clear jams because fasteners can be ejected from the front of the nailer. Personal injury may occur.*

## AIR SOURCE

- Never connect to an air source that is capable of exceeding **200 psi**. Over pressurizing the tool is able to result in bursting, abnormal operation, breakage of the tool or serious injury to persons. Use only clean, dry, regulated compressed air at the rated pressure or within the rated pressure range as marked on the tool. Always verify prior to using the tool that the air source has been adjusted to the rated air pressure or within the rated air-pressure range.
- Never use oxygen, carbon dioxide, combustible gases or any bottled gas as an air source for the tool. Such gases are capable of explosion and serious injury to persons.

**NOTICE** *Air compressors providing air to the nailer should follow the requirements established by the American National Standards Institute Standard B19.3-1991; Safety Standard for Compressors for Process Industries. Contact your air compressor manufacturer for information.*

**SAVE THESE INSTRUCTIONS  
DO NOT DISCARD**

## Unpacking

After unpacking the unit, inspect carefully for any damage that may have occurred during transit. Check for loose, missing or damaged parts. Make sure to tighten fittings, bolts, etc., before putting unit into service. Check to be sure all supplied accessories are enclosed with the unit. In case of questions, damaged or missing parts, please call 1-800-543-6400 for customer assistance.

## CONTENTS

- ◆ Pin Nailer
- ◆ 3/4 inch, 23 gauge headless micropins
- ◆ Operating Instructions
- ◆ Warranty Card
- ◆ Carry Bag
- ◆ Wrenches

## ADDITIONAL ITEMS NOT INCLUDED

- ◆ Compressor (must be able to maintain a minimum of 60 psi when the nailer is being used)
- ◆ Air hose
- ◆ Small tool for clearing jams
- ◆ Threadlock glue
- ◆ ANSI Z87 eye protection
- ◆ Hearing protection and other personal protective equipment as required

## Assembly

This tool comes fully assembled.

The **DANGER**, **WARNING**, **CAUTION**, and **NOTICE** notifications and instructions in this manual cannot cover all possible conditions and situations that may occur. It must be understood by the operator that common sense and caution are factors which cannot be built into this product, but must be supplied by the operator.

## Glossary

Become familiar with these terms before operating the unit.

**ACTUATE (TOOL)** — To cause movement to the tool's component(s) intended to drive the fastener.

**ACTUATION SYSTEM** — The use of a trigger, work contact element (WCE) and/or other operating control, separately or in combination or sequence, to actuate the tool.

**AIR INLET** — The opening in which the compressed air supply is connected, usually by means of a threaded fitting.

**FASTENERS** — This pin nailer uses 23g Pin Nails ranging in size from 3/8 inch to 7/8 inch.

**MAGAZINE** — The part of the nailer that holds the Fasteners.

**MAXIMUM AIR PRESSURE** — The maximum allowable pressure of compressed air, as specified by the manufacture, for operating the tool.

**NO-MAR TIP** — The no-mar tip is designed to eliminate marks caused by the Work Contact Element (WCE) (*see Figure 4*). The no-mar tip may be removed if not required (See REMOVING NO-MAR TIP) or when a slightly deeper countersink is preferred. Simply slide the no-mar off the WCE.

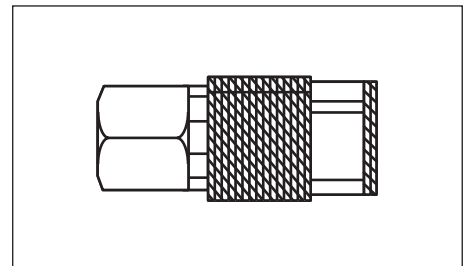
**psi (POUNDS PER SQUARE INCH)** — Measurement of the pressure exerted by the force of the air. The actual psi output is measured by a pressure gauge on the compressor.

**QUICK COUPLER** — A quick coupler is designed to work in combination with a quick plug to quickly and easily join a pneumatic tool to an air hose (*see Figure 2*).

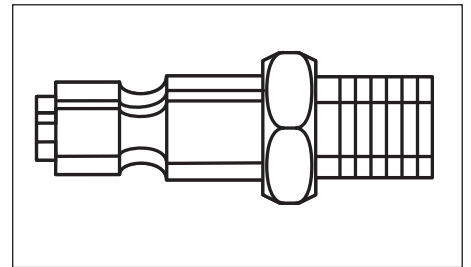
**QUICK PLUG** — A quick plug is designed to work in combination with a quick coupler to quickly and easily join a pneumatic tool to an air hose (*see Figure 3*).

**REGULATOR** — A device used to control air pressure to an air operated tool

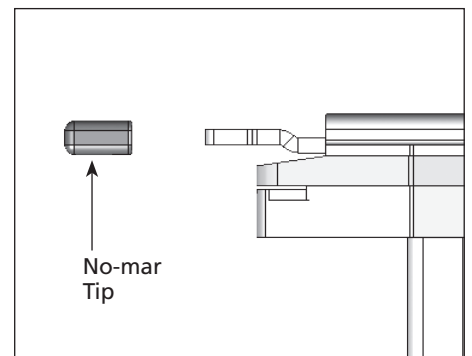
**THREAD LOCK GLUE** — A locking glue that is applied to the screw threads before installing. Prevents the screws from working loose during tool operation.



**Figure 2 - Quick Coupler**



**Figure 3 - Quick Plug**



**Figure 4**

**Getting To Know Your Pin Nailer Like A Pro**

**ADJUSTABLE EXHAUST DEFLECTOR**

This tool is equipped with an adjustable exhaust deflector feature. This allows for the tool exhaust to be redirected in any position that is convenient for the user. Turn the deflector to any direction desired.

**NO-MAR TIP**

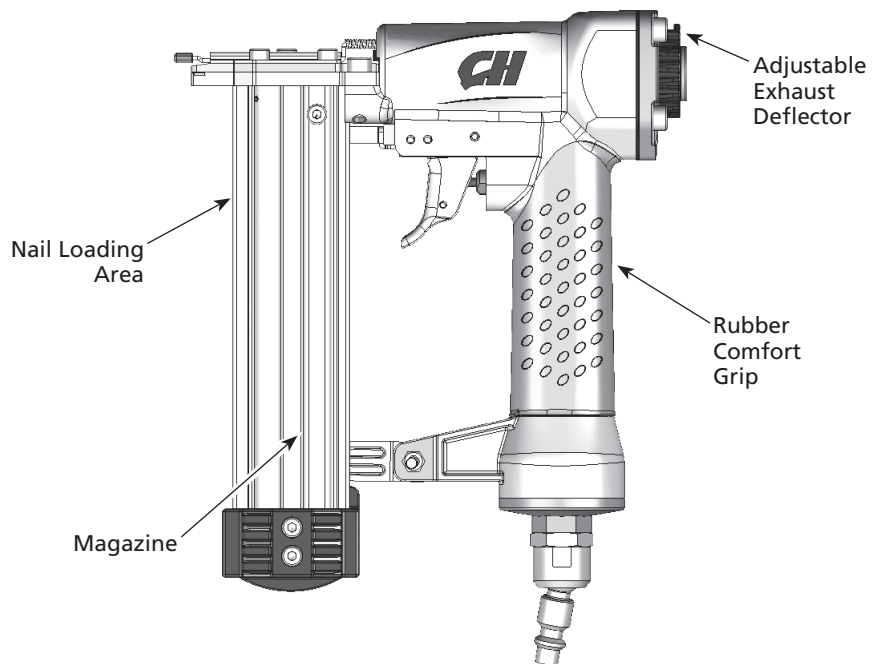
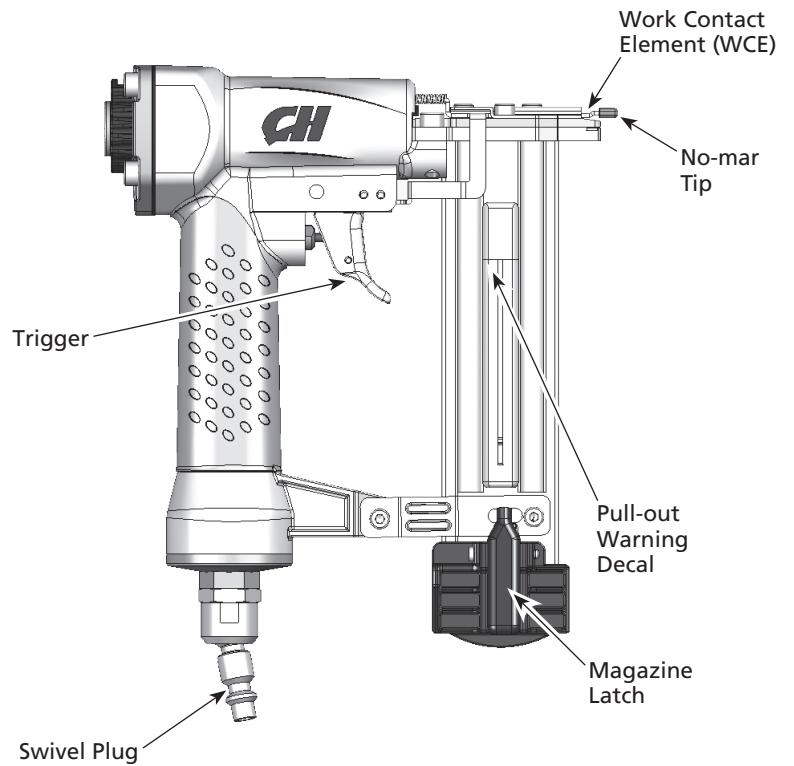
The tool is fitted with a no-mar tip. To utilize the no-mar tip, simply slide it over the tool's WCE.

**RUBBER COMFORT GRIP**

The tool is fitted with a rubber comfort grip. This helps to maintain a steady grip and prevents fatigue.

**SELF-ADJUSTING PIN LENGTH MECHANISM**

The tool is equipped with a convenient self-adjusting pin length mechanism. Simply load the desired pins in the magazine and let the tool self-adjust.



**Figure 5 - Components of the Pin Nailer**



**Set-Up**

**LUBRICATION**

This nailer requires **NO** lubrication for normal operation. However, lubrication will **NOT** harm the tool.

**NOTICE**

*The work surface can become damaged by excessive lubrication.*

**MINIMUM COMPONENTS REQUIRED FOR HOOK-UP**

**AIR COMPRESSOR:** The air compressor must be able to maintain a minimum of 60 psi when the nailer is being used. An inadequate air supply can cause a loss of power and inconsistent driving (see Chart 1).

**PRESSURE REGULATOR:** A pressure regulator is required to control the operating pressure of the nailer between 60 psi and 100 psi.

**AIR SUPPLY HOSE:** ALWAYS use air supply hoses with a minimum working pressure rating equal to or greater than the pressure from the power source, or 150 psi, whichever is greater. Use 1/4 inch air hose for runs up to 50 feet. Use 3/8 inch air hoses for 50 ft. run or longer (see Figure 6 and Chart 2).

**HOOK-UP INSTRUCTIONS FOR NAILER TO AIR SUPPLY**

Figure 8 shows the recommended hookup for the nailer.

**NOTE:** For better performance, install a 3/8 inch quick plug (1/4 inch NPT threads) with an inside diameter of 0.315 inch (8 mm) on the nailer and a 3/8 inch quick coupler on the air hose.

1. With ON/OFF switch in OFF position, plug compressor into electrical outlet.
2. Close pressure regulator by turning all the way to the left. Turn compressor ON and let it pump all the way up to automatic shut-off pressure.
3. Attach air hose to regulator outlet. Adjust pressure regulator by turning to the right so that outlet pressure is between 60 psi to 100 psi.
4. Load fasteners into nailer (See Loading/Unloading the Nailer section on page 10).
5. Point the nailer in a safe direction while attaching to air hose.
6. Nailer is ready for use. You may need to adjust outlet pressure to achieve proper fastener depth.


	60 psi Minimum
	100 psi Maximum

Chart 1

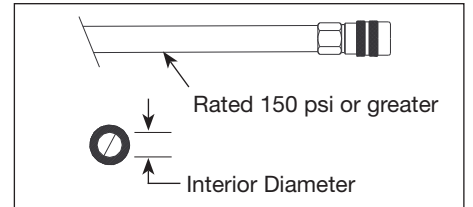


Figure 6 - Air Hose Requirements

AIR HOSE REQUIREMENTS	
DIAMETER	LENGTH OF RUN
1/4 inch	Less than 50 feet
3/8 inch	Greater than or equal to 50 feet

Chart 2

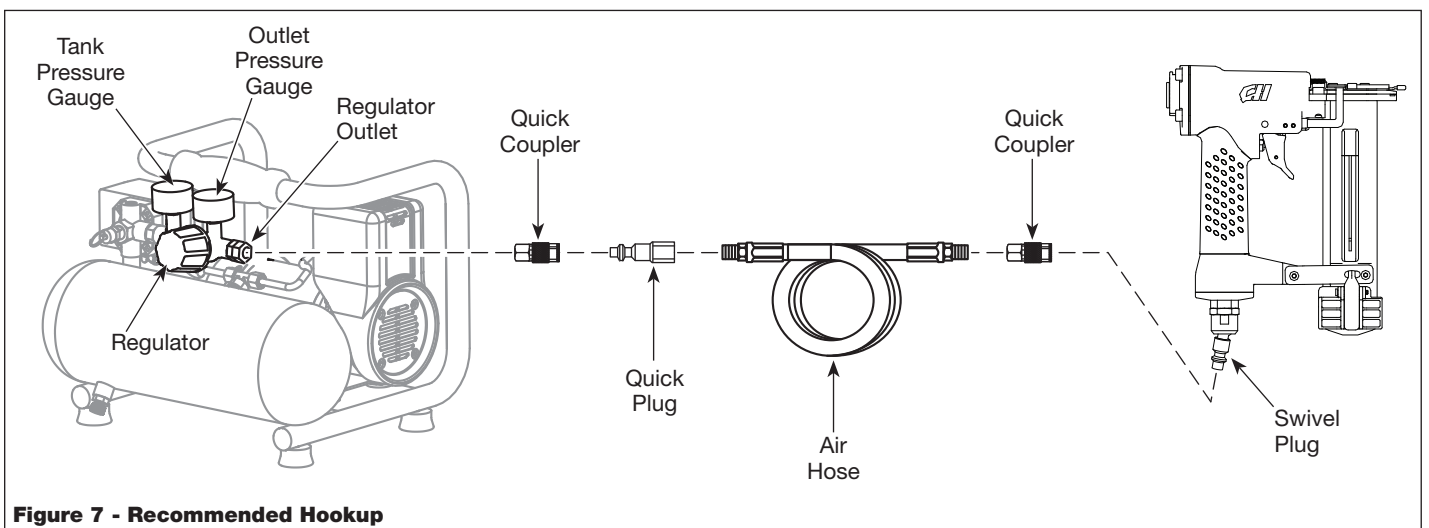


Figure 7 - Recommended Hookup

## Set-Up (Continued)

### LOADING / UNLOADING THE TOOL

Always **disconnect** the tool from the air supply **before** loading / unloading fasteners. Choose which type of fastener you want to use for you project. Additional fasteners can be found at major home centers.

#### Loading the Tool

1. Push the latch button. Pull back on the magazine cover fully.
2. Insert a stick of pins into the magazine under the automatic nail length plate. Make sure pointed ends of pins are resting on bottom ledge of magazine when loading. Make sure pins are not dirty or damaged. Pins are marked for direction of loading.
3. Push the magazine cover forward until latch engages.

#### Unloading the Tool

1. Push the latch button. Pull back on the magazine cover fully.
2. Remove the pins from the magazine.
3. Push the magazine cover forward until latch engages.
4. Always unload all fasteners before removing tool from service. Unloading is the reverse of loading, except always disconnect the air supply before unloading.

### INSTALLING NO-MAR TIP

1. Disconnect air supply from nailer.
2. Carefully place no-mar tip over the end of work contact element.
3. Check that the WCE and trigger move up and down freely without sticking or binding.

### REMOVING NO-MAR TIP

1. Disconnect air supply from nailer.
2. Pry no-mar tip away from the work contact element.

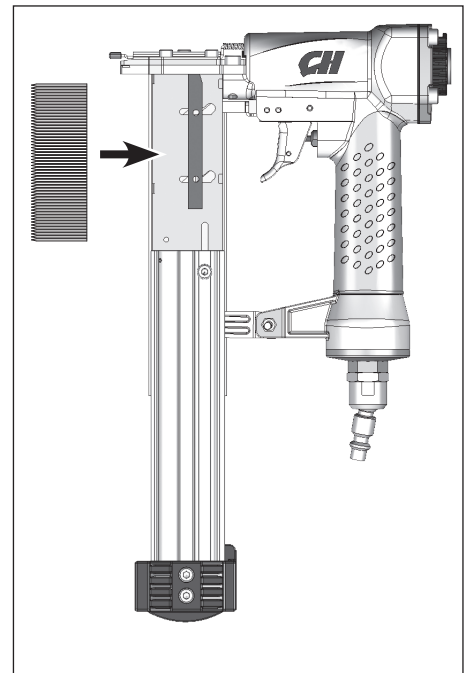


Figure 8 - Loading the Nailer

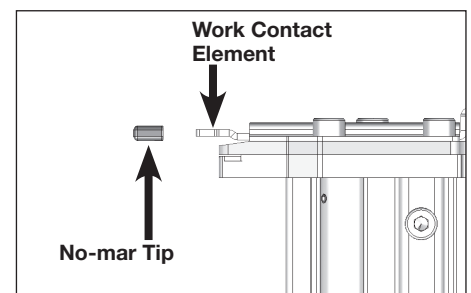


Figure 9 - No-mar Tip

**Pre-Operation**

**OPERATIONAL MODE**

**▲ WARNING** Always know the operational mode of the nailer before using. Failure to know the operational mode could result in death or serious injury.

**Sequential Mode**

This method is recommended when precise nail placement is required. Operation in this mode requires trigger to be pulled each time a nail is driven. Nailer can be actuated by depressing the Work Contact Element (WCE) against work surface followed by pulling the trigger. The trigger must be released after each fastener is driven to allow tool to reset.

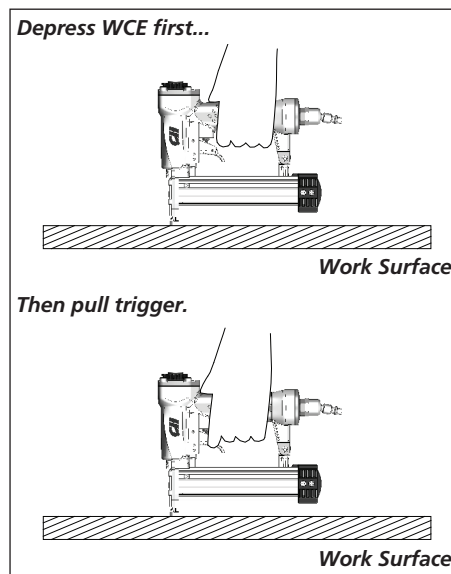
**WORK CONTACT ELEMENT (WCE)**

**▲ CAUTION** Check the operation of the Work Contact Element (WCE) trip mechanism before each use. The WCE must move freely without binding through its entire travel distance. The WCE spring must return the WCE to its fully extended position after being depressed. Do not operate the nailer if the WCE trip mechanism is not operating properly. Personal injury may occur.

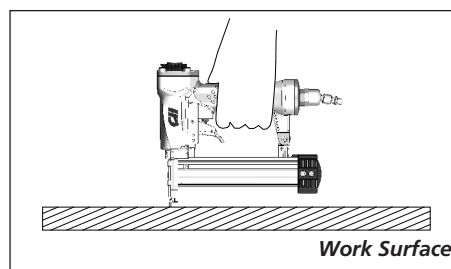
1. Disconnect the air supply from the nailer.
2. Make sure the trigger and Work Contact Element (WCE) move freely up and down without sticking or binding.
3. Reconnect air supply to the nailer.
4. Use a scrap piece of wood as a work surface.
5. Depress the WCE against the work surface without pulling the trigger (See Figure 11). The nailer **MUST NOT OPERATE**. Do not use the tool if it operates without pulling the trigger. Personal injury may result.
6. Remove nailer from work surface. The WCE must return to its original down position. Pull the trigger (See Figure 12). The nailer **MUST NOT OPERATE**. Do not use the tool if it operates while lifted from the work surface. Personal injury may result.
7. Pull the trigger and depress the WCE against the work surface. The nailer **MUST NOT OPERATE**.
8. Depress the WCE against work surface. Pull the trigger. The nailer **MUST OPERATE**.

**ADJUSTING THE DIRECTION OF THE EXHAUST**

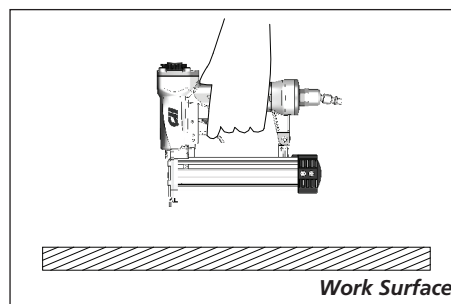
The tool is equipped with an adjustable direction exhaust deflector. This is intended to allow the user to change the direction of the exhaust. Simply twist the deflector to any direction desired (See Figure 13).



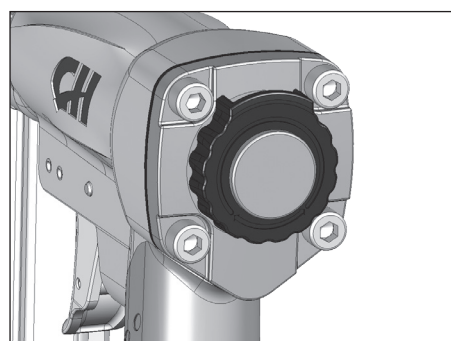
**Figure 10 - Sequential Mode**



**Figure 11**



**Figure 12**



## Operation

### FIRING THE NAILER

1. Load fasteners (see Loading / Unloading the Nailer section).
2. Connect the air supply to the nailer.

**⚠ WARNING** *An improperly functioning tool must not be used. Do not actuate the tool unless the tool is placed firmly against the work piece.*

#### In Sequential Mode

1. Fully depress WCE.
2. Pull trigger. Fastener will be driven into workpiece.

## Storage

The nailer should be stored in a cool dry location.

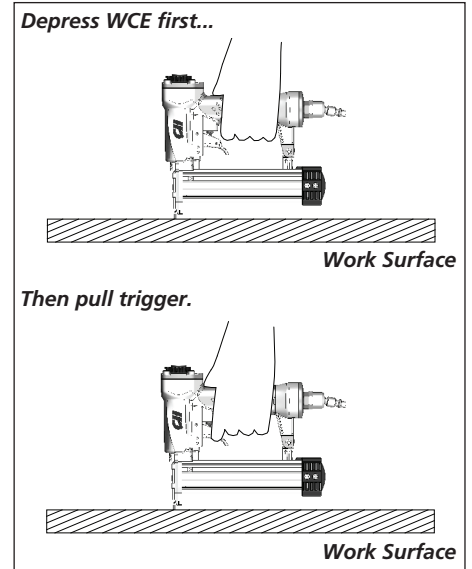


Figure 14

## Maintenance

### CLEARING A JAM FROM THE NAILER

1. Disconnect nailer from air supply.
2. Remove all nails from the magazine (see Loading/ Unloading). Failure to do so may cause the nails to eject from the front of the nailer.
3. Completely remove the three (3) small nose screws and the top nose plate to reveal the jammed fastener.
4. Using caution not to bend or damage the driver blade, use a pick or some other pointed object to pry free and clear the jammed fastener.

### NAILER REPAIR

Only qualified personnel should repair the tool and they should use genuine Campbell Hausfeld replacement parts and accessories, or parts and accessories which perform equivalently.

### REPLACEMENT PARTS

**⚠ WARNING** *Use only genuine Campbell Hausfeld service parts. Tool performance, safety and durability could be reduced if improper parts are used. When ordering replacement parts, specify by part number.*

### ASSEMBLY PROCEDURE FOR SEALS

When repairing a nailer, the internal parts must be cleaned and lubricated. Parker O-lube or equivalent must be used on all o-rings. Each o-ring must be coated with O-lube before assembling. A small amount of oil must be used on all moving surfaces and pivots.

### TECHNICAL SERVICE

For information regarding the operation or repair of this product, please call 1-800-543-6400.

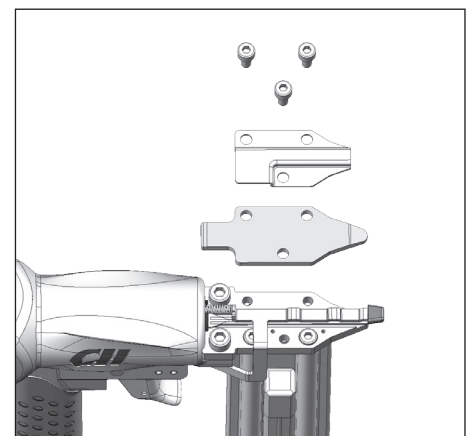


Figure 15

**Maintenance (Continued)**

**FASTENER INTERCHANGE INFORMATION**

Can use 3/8 inch to 7/8 inch pins from the following branded 23 g micropinners:

- Senco FP10
- Air Locker P630
- Porter Cable PIN100
- Grex P635
- Max NF235A

**Troubleshooting Guide**

**⚠ WARNING** *Stop using nailer immediately if any of the following problems occur. Serious personal injury could result. Any repairs or replacements must be done by a Qualified Service Person or Authorized Service Center.*

SYMPTOM	CAUSE	SOLUTION
Air leaking at trigger valve area.	O-Rings in trigger valve housing are damaged	Replace o-rings
Air leaking between housing and nose.	1. Damaged o-rings 2. Damage to bumper	1. Replace o-rings 2. Replace bumper
Air leaking between housing and cap.	1. Loose screws 2. Damaged seal	1. Tighten screws 2. Replace seal
Tool skips driving fastener	1. Worn bumper 2. Dirt in nose piece 3. Dirt or damage prevent fasteners or pusher from moving freely in magazine 4. Damaged pusher spring 5. Inadequate air flow to tool 6. Worn o-rings on piston or lack of lubrication 7. Damaged o-rings on trigger valve 8. Air leaks 9. Cap seal leaking 10. Defect in automatic nail length plate	1. Replace bumper 2. Clean drive channel 3. Clean magazine 4. Replace spring 5. Check fitting, hose, or compressor 6. Replace and lubricate o-rings 7. Replace o-rings 8. Tighten screws and fittings 9. Replace seal 10. Clear problem with plate
Tool runs slow or has loss of power	1. Tool not lubricated sufficiently 2. Broken spring in cylinder cap 3. Exhaust port in cap is blocked	1. Lubricate nailer 2. Replace spring 3. Replace damaged internal parts
Fasteners are jammed in tool	1. Guide on driver is worn 2. Fasteners are not correct size 3. Fasteners are bent 4. Magazine or nose screws are loose 5. Driver is damaged	1. Replace guide 2. Use only recommended fasteners 3. Replace with undamaged fasteners 4. Tighten screws 5. Replace driver



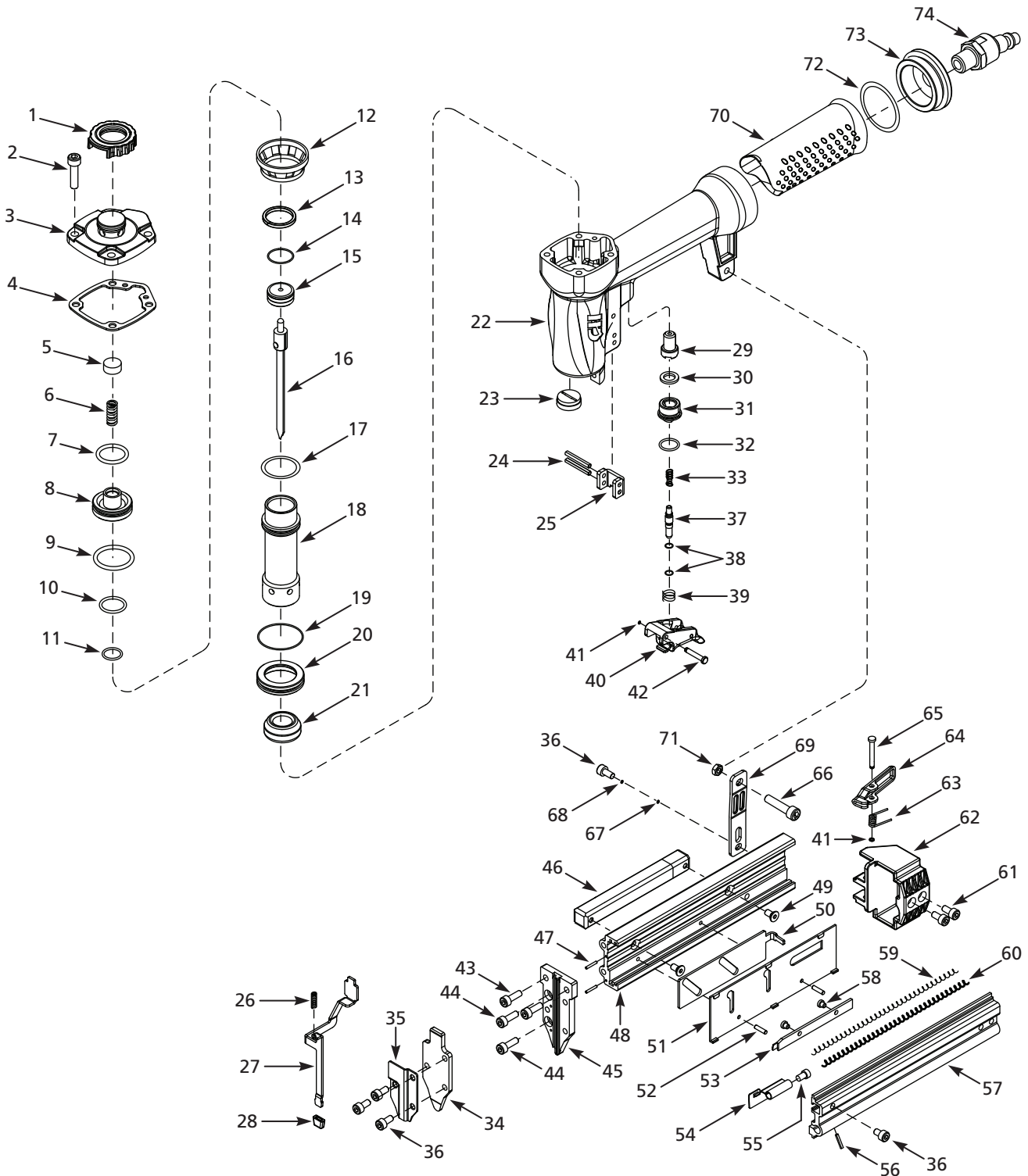
**For Replacement Parts or Technical Assistance, Call 1-800-543-6400**

Please provide following information:

- Model number
- Serial number (if any)
- Part description and number as shown in parts list

Address any correspondence to:

Campbell Hausfeld  
 Attn: Customer Service  
 100 Production Drive  
 Harrison, OH 45030 U.S.A.



**Figure 16 - Repair Parts Illustration for Air Powered Pin Nailer, model CHN71500AV**

**Replacement Parts List for Brad Nailer**

Ref. No.	Description	Part Number	Qty.
1	Exhaust deflector	—	1
2	Socket head cap screw - M4 x 16	*	4
3	Cylinder head cap	—	1
4	Gasket	■	1
5	Exhaust seal	■	1
6	Spring	■	1
7	O-ring	■	1
8	Head valve	—	1
9	O-ring	■	1
10	O-ring	■	1
11	O-ring	■	1
12	Collar	—	1
13	Piston ring	▲	1
14	O-ring	▲	1
15	Piston	▲	1
16	Driver blade	▲	1
17	O-ring	■	1
18	Cylinder	—	1
19	O-ring	■	1
20	Restrictor plate	—	1
21	Bumper	■	1
22	Body	—	1
23	Nozzle	■	1
24	Spring pin	■	2
25	Work contact element (WCE) bracket	—	1
26	WCE spring	■	1
27	WCE	—	1
28	No-mar tip	■	1
29	Trigger valve head	—	1
30	Valve seal	■	1
31	Trigger valve	—	1
32	O-ring	■	1
33	Trigger valve stem spring	■	1
34	Upper drive guide	—	1
35	Drive guide cover	—	1
36	Socket head cap screw - M4 x 8	*	5
37	Trigger valve stem	—	1
38	O-ring	■	2
39	Trigger spring	■	1
40	Trigger assembly	—	1
41	Retaining o-ring	—	2
42	Pin	—	1
43	Socket head cap screw - M4 x 14	*	2
44	Socket head cap screw - M4 x 14	*	2
45	Lower driver guide	—	1
46	Recoil decal housing	—	1
47	Straight pin	—	2
48	Magazine	—	1
49	Screw - M4 x 10	*	2
50	Magazine slide plate	—	1

Ref. No.	Description	Part Number	Qty.
51	Magazine plate	—	1
52	Spring pin	—	2
53	Limiter assembly	—	1
54	Pusher	—	1
55	Pusher seat	—	1
56	Spring pin	*	1
57	Magazine door	—	1
58	Shoulder pins	—	2
59	Pusher spring	■	1
60	Spring	■	1
61	Socket head cap screw - M4 x 10	*	2
62	Magazine end cap	—	1
63	Magazine cap spring	■	1
64	Magazine thumb latch	—	1
65	Pin	—	1
66	Socket head cap screw - M4 x 18	*	1
67	Washer	—	1
68	Washer	—	1
69	Magazine bracket	—	1
70	Hand grip	—	1
71	Nut - M4	*	1
72	O-ring	■	1
73	Inlet end cap	—	1
74	1/4 - 18 I/M (M) Swivel plug	SV567600AV	1

**REPLACEMENT PARTS KITS**

- ▲ Drive blade assembly SKN19900AV
- Complete rebuild kit SKN23900AV
- Not Available
- \* Standard hardware item - available at your local hardware store

---

**Reminder:** *Keep your dated proof of purchase for warranty purposes! Attach it to this manual or file it for safekeeping.*

---

## Warranty

1. DURATION: From the date of purchase by the original purchaser as follows: One (1) Year.
2. WHO GIVES THIS WARRANTY (WARRANTOR): Campbell Hausfeld / Scott Fetzer Company, 100 Production Drive, Harrison, Ohio, 45030, Telephone: (800) 543-6400
3. WHO RECEIVES THIS WARRANTY (PURCHASER): The original purchaser (other than for purposes of resale) of the Campbell Hausfeld product.
4. WHAT PRODUCTS ARE COVERED BY THIS WARRANTY: This Campbell Hausfeld nailer or stapler.
5. WHAT IS COVERED UNDER THIS WARRANTY: Substantial defects in material and workmanship which occur within the duration of the warranty period with the exceptions below.
6. WHAT IS NOT COVERED UNDER THIS WARRANTY:
  - A. Implied warranties, including those of merchantability and FITNESS FOR A PARTICULAR PURPOSE ARE LIMITED FROM THE DATE OF ORIGINAL PURCHASE AS STATED IN THE DURATION. If this product is used for commercial, industrial or rental purposes, the warranty will apply for ninety (90) days from the date of purchase. Some States do not allow limitation on how long an implied warranty lasts, so the above limitations may not apply to you.
  - B. ANY INCIDENTAL, INDIRECT, OR CONSEQUENTIAL LOSS, DAMAGE, OR EXPENSE THAT MAY RESULT FROM ANY DEFECT, FAILURE, OR MALFUNCTION OF THE CAMPBELL HAUSFELD PRODUCT. Some States do not allow the exclusion or limitation of incidental or consequential damages, so the above limitation or exclusion may not apply to you.
  - C. Any failure that results from an accident, purchaser's abuse, neglect or failure to operate products in accordance with instructions provided in the owner's manual(s) supplied with product. Accident, purchaser's abuse, neglect or failure to operate products in accordance with instructions shall also include the removal or alteration of any safety devices. If such safety devices are removed or altered, this warranty is void.
  - D. Normal adjustments which are explained in the owner's manual(s) provided with the product.
  - E. Items or service that are normally required to maintain the product, e.g. o-rings, springs, bumpers, debris shield, driver blades, gaskets, packings or seals, lubricants, or any other expendable part not specifically listed. These items will only be covered for ninety (90) days from date of original purchase. Underlined items are warranted for defects in material and workmanship only.
7. RESPONSIBILITIES OF WARRANTOR UNDER THIS WARRANTY: Repair or replace, at Warrantor's option, products or components which are defective, have malfunctioned and/or failed to conform within the duration of the specific warranty period.
8. RESPONSIBILITIES OF PURCHASER UNDER THIS WARRANTY:
  - A. Provide dated proof of purchase and maintenance records.
  - B. Call Campbell Hausfeld (800) 543-6400 to obtain your warranty service options. Freight costs must be borne by the purchaser.
  - C. Use reasonable care in the operation and maintenance of the products as described in the owner's manual(s).
9. WHEN WARRANTOR WILL PERFORM REPAIR OR REPLACEMENT UNDER THIS WARRANTY: Repair or replacement will be scheduled and serviced according to the normal work flow at the servicing location, and depending on the availability of replacement parts.

This Limited Warranty applies in the United States, Canada and Mexico only and gives you specific legal rights. You may also have other rights which vary from state to state or country to country.



# Cloueuse de pointes

Instructions d'Utilisation et Manual de Pièces

**CHN71500**



ENGLISH: Page 1  
ESPAÑOL: Página 33

IN730100AV 1/10

© 2010 Campbell Hausfeld/Scott Fetzer



VOUS PERMET DE LE FAIRE COMME UN PROFESSIONNEL

## Table des Matières

---

Description . . . . .	F-19	Charger/décharger de l'outil . . . . .	F-26
Spécifications . . . . .	F-19	Charger de l'outil . . . . .	F-26
Directives de sécurité . . . . .	F-20	Décharger de l'outil . . . . .	F-26
Symboles de sécurité . . . . .	F-20	Installer l'embout anti-marques . . . . .	F-26
Information importante sur la sécurité . . . . .	F-20	Retirer l'embout anti-marques . . . . .	F-26
Instructions portant sur un risque d'incendie, un choc électrique ou des blessures aux personnes . . . . .	F-20	Pré-opération . . . . .	F-27
Proposition 65 de Californie . . . . .	F-20	Modes d'opération . . . . .	F-27
Généralités . . . . .	F-20	Mode séquentiel . . . . .	F-27
Aire de travail . . . . .	F-20	Pointe de contact (PC) . . . . .	F-27
Sécurité personnelle . . . . .	F-21	Ajuster la direction de l'échappement . . . . .	F-27
Sécurité électrique . . . . .	F-21	Fonctionnement . . . . .	F-28
Utilisation et entretien de l'outil . . . . .	F-21	Utiliser la cloueuse . . . . .	F-28
Service . . . . .	F-22	Rangement . . . . .	F-28
Source d'air . . . . .	F-22	Entretien . . . . .	F-28
Déballage . . . . .	F-22	Débloquer la cloueuse . . . . .	F-28
Contenu . . . . .	F-22	Réparation de la cloueuse . . . . .	F-28
Autres articles non inclus . . . . .	F-22	Pièces de rechange . . . . .	F-28
Assemblage . . . . .	F-22	Procédure d'assemblage pour les joints . . . . .	F-28
Glossaire . . . . .	F-23	Service technique . . . . .	F-28
Apprendre à connaître sa cloueuse de pointes comme un professionnel . . . . .	F-24	Information sur les attaches interchangeables . . . . .	F-29
Caractéristiques . . . . .	F-24	Guide de dépannage . . . . .	F-29
Déflecteur d'échappement ajustable . . . . .	F-24	Liste de pièces de rechange pour la cloueuse de pointes de vitrier . . . . .	F-30 - F-31
Embout anti-marques . . . . .	F-24	Garantie . . . . .	F-32
Prise confortable de caoutchouc . . . . .	F-24		
Mécanisme auto-ajustable de longueur de pointes . . . . .	F-24		
Installation . . . . .	F-25		
Lubrification . . . . .	F-25		
Composants minimaux requis pour le raccord . . . . .	F-25		
Instructions de branchement de la cloueuse à l'alimentation d'air . . . . .	F-25		
Exigences du tuyau à air . . . . .	F-25		

---

### Pour l'information sur les pièces, produits et services

**APPELER:** Service à la clientèle au 1-800-543-6400

**ADRESSER TOUTE CORRESPONDANCE À :** Campbell Hausfeld  
Attn: Customer Service  
100 Production Drive  
Harrison, OH 45030 U.S.A.





# Cloueuse de pointes



## Description

Cette cloueuse de pointes est conçue pour l'assemblage de garnitures décoratives, bandes de vitrage et petits cadres. Caractéristiques: pratique chargeur à chargement latéral convenant pour 135 pointes, embout anti-marques, sans huile, prise confortable de caoutchouc, fiche pivotante, pointe de contact, mécanisme auto-ajustable de longueur de pointes et échappement ajustable.

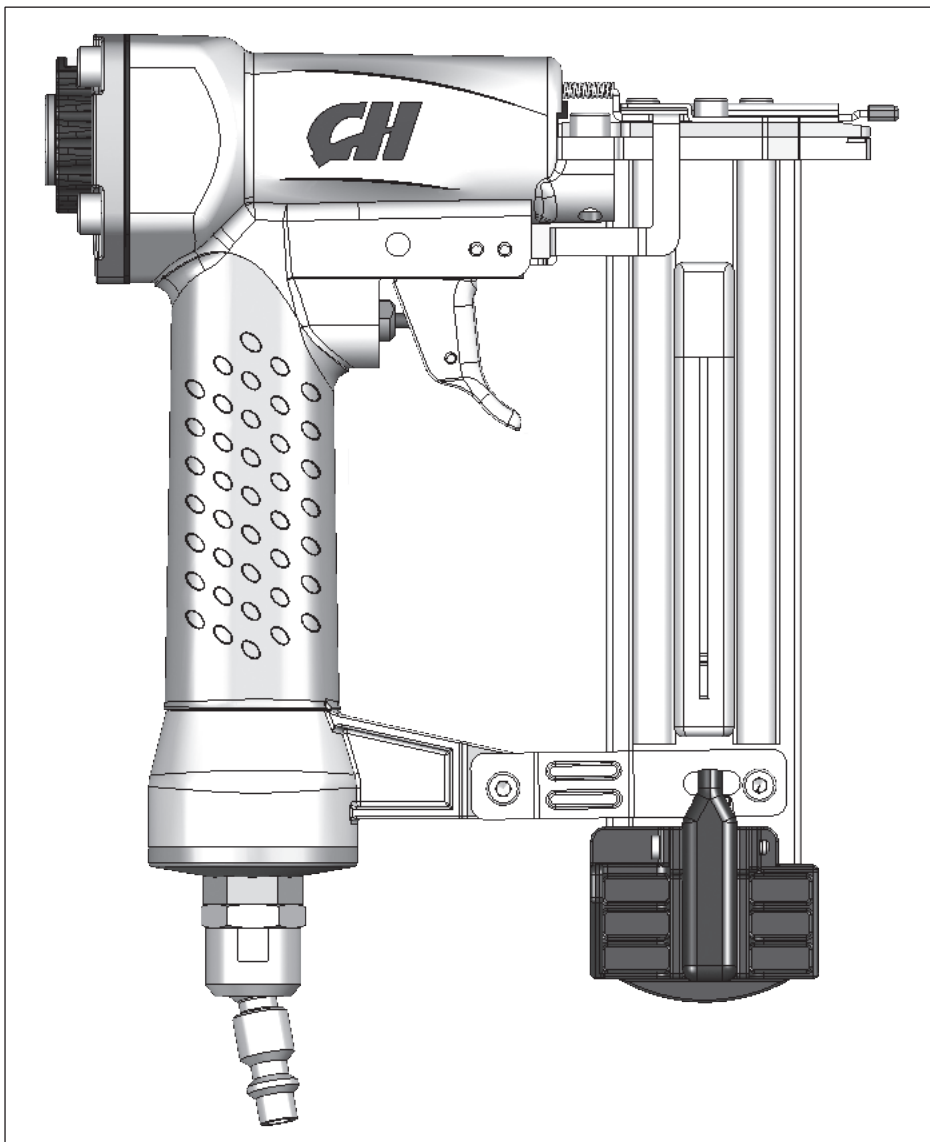


Figure 1 - CHN71500 Cloueuse de pointes

## Spécifications

### Modèle CHN71500

**Exigences :** 0,004 m<sup>3</sup>/min (0,3 PCNM)  
utilisant 10 attaches à la minute à  
621 kPa (90 lb/po<sup>2</sup>)

**Prise d'air :** 1/4 po NPT

**Plage de tailles d'attaches :**  
micro pointes de 23 g - 9,5 mm à 22,2  
mm (3/8 po à 7/8 po)

**Capacité du chargeur :** 135 attaches  
par charge

**Poids :** 0,91 kg (2 lbs)

**Longueur :** 23,50 cm (9-1/4 po)

**Hauteur :** 18,42 cm (7-1/4 po)

**Pression Maximale :** 690 kPa

**Gamme de Pression :** 414 kPa -  
690 kPa

Trouver le numéro de modèle et le code de date sur le chargeur et/ou le corps de l'outil. Incrire plus bas :

N° du Modèle : \_\_\_\_\_

Code Date : \_\_\_\_\_

Conserver ces numéros comme référence.

### Directives de Sécurité

Ce manuel contient de l'information très importante qui est fournie pour la SÉCURITÉ et pour ÉVITER LES PROBLÈMES D'ÉQUIPEMENT. Rechercher les symboles suivants pour cette information.

**▲ DANGER** Danger indique une situation dangereuse imminente qui MÈNERA à la mort ou à des blessures graves si elle n'est pas évitée.

**▲ AVERTISSEMENT** Avertissement indique une situation potentiellement dangereuse qui, si elle n'est pas évitée, POURRAIT mener à la mort ou à de graves blessures.

**▲ ATTENTION** Attention indique une situation potentiellement dangereuse qui, si elle n'est pas évitée, PEUT mener à des blessures mineures ou modérées.

**AVIS** Avis indique de l'information importante qui pourrait endommager l'équipement si elle n'est pas respectée.

**REMARQUE :** Information qui exige une attention spéciale.

### Symboles de sécurité

Les symboles de sécurité suivants apparaissent dans l'ensemble de ce manuel pour vous aviser des dangers et précautions importants de sécurité.



Porter une protection oculaire et un masque.



Lire le manuel d'abord



Risque de blessure



Risque de tomber



Porter une protection oculaire.



Porter une protection auditive



Risque d'incendie



Risque d'explosion



Risque de choc

### Importantes Instructions De Sécurité

#### Instructions Portant Sur Un Risque d'Incendie, Un Choc Électrique Ou Des Blessures Aux Personnes

Ce manuel contient des informations concernant la sécurité, le fonctionnement et l'entretien. Si vous avez des questions, appeler le 1-800-543-6400 pour le service à la clientèle.

**▲ AVERTISSEMENT** En utilisant les outils, il faut suivre les précautions de base, y compris ce qui suit :

#### PROPOSITION 65 DE CALIFORNIE

**▲ AVERTISSEMENT** Ce produit ou son cordon peuvent contenir des produits chimiques qui, de l'avis de l'État de Californie, causent le cancer et des anomalies congénitales ou autres problèmes de reproduction. Lavez-vous les mains après la manipulation.

**▲ AVERTISSEMENT** Vous pouvez créer de la poussière en coupant, ponçant, perçant ou meulant les matériaux tels que le bois, la peinture, le métal, le béton, le ciment ou autre maçonnerie. Cette poussière contient souvent des produits chimiques reconnus pour causer le cancer, les déformations congénitales



#### GÉNÉRALITÉ :

- Pour réduire les risques de chocs électriques, d'incendie ou de blessures aux personnes, lire toutes les instructions avant d'utiliser l'outil. Ne pas suivre les avertissements, les dangers et les mises en garde pourrait causer la MORT ou de GRAVES BLESSURES.
- Se familiariser avec ce produit, ses commandes et son utilisation. Suivez toutes les instructions. Contacter votre représentant Campbell Hausfeld si vous avez des questions.
- Seules les personnes familières avec ces règles d'utilisation sans danger devraient utiliser cette unité.



**▲ AVERTISSEMENT** Ne pas utiliser la cloueuse ni permettre qu'une autre personne l'utilise si les avertissements ou les étiquettes d'avertissement situés sur le chargeur et corps de la cloueuse ne sont pas lisibles.

**▲ AVERTISSEMENT** Toujours prendre pour acquis que la cloueuse contient des clous. Respecter l'outil comme accessoire de travail non pas un jouet. Donc aucun jeu brutal. Toujours garder les autres personnes à une distance de sécurité de l'aire de travail en cas de décharge accidentelle des clous. Ne pas pointer l'outil vers vous ou vers quelqu'un d'autre qu'il y ait ou non des attaches dans la cloueuse. Le déclenchement accidentel de la cloueuse pourrait causer la mort ou de graves blessures.

**▲ ATTENTION** Ne pas apporter de modifications à l'outil sans d'abord obtenir une approbation écrite de Campbell Hausfeld. N'utilisez pas une cloueuse si les écrans ou protecteurs ont été enlevés ou altérés. Ne pas utiliser la cloueuse comme un marteau. Cela peut entraîner des blessures ou endommager l'appareil.

**AVIS** Nettoyer et vérifier tous les tuyaux et raccords avant de brancher la cloueuse au compresseur d'air. Remplacer les tuyaux ou les raccords endommagés ou usés, sinon, le rendement et la durabilité de l'outil seront affectés.

#### AIRE DE TRAVAIL

- Garder l'aire de travail propre et bien éclairée. Les établis encombrés et les coins sombres augmentent les risques de chocs électriques, d'incendie et de blessures aux personnes.
- Ne pas faire fonctionner l'outil dans une atmosphère explosive comme en présence de liquides, gaz ou poussières inflammables. L'outil peut produire des étincelles menant à une inflammation de poussières ou de fumées.
- Garder les spectateurs, les enfants et les visiteurs loin en utilisant l'outil. Les distractions peuvent faire perdre le contrôle de l'outil.



## Importantes Instructions De Sécurité (Suite)

### SÉCURITÉ PERSONNELLE

- Rester vigilant. Il faut regarder ce que vous faites et utiliser son sens commun en faisant fonctionner un outil. Ne pas faire fonctionner l'appareil si vous êtes fatigué ou sous l'influence de drogues, d'alcool ou de médicaments.** Un moment d'inattention en faisant fonctionner l'outil augmente le risque de blessures.
- Il faut s'habiller correctement. Ne pas porter de bijoux ou de vêtements amples. Attacher les cheveux longs. Garder les cheveux, les vêtements et les gants loin des pièces mobiles.** Les vêtements amples, les bijoux ou les cheveux longs augmentent le risque de blessures si quelque chose se prend dans les pièces mobiles.
- Ne pas trop se pencher. Garder bon pied et bon équilibre en tout temps.** Ceci permet d'avoir un meilleur contrôle de l'outil dans les situations imprévues.
- Utiliser l'équipement de sécurité.** Il faut utiliser un masque antipoussières, des souliers de sécurité antidérapants et un casque de protection appropriés pour les conditions en cours.

**AVERTISSEMENT** *S'assurer que l'outil est utilisé seulement lorsque l'opérateur et tout autre personnel dans l'aire de travail portent un équipement de protection oculaire ANSI Z87 et, s'il y a lieu, d'autre équipement de protection approprié tel que de l'équipement de protection pour la tête, les oreilles et les pieds. Il pourrait y avoir de graves lésions oculaires ou perte auditive.*



**e. Toujours porter une protection auditive en utilisant l'outil.** Toute exposition prolongée à des bruits de forte intensité pourrait provoquer une perte auditive.



**f. Ne pas attacher le boyau d'air ou l'outil à votre corps.** Fixer le boyau à la structure pour réduire le risque de perte d'équilibre si le boyau se déplace.

**g. Toujours assumer que l'outil contient des attaches.** Ne pas pointer l'outil vers soi ou vers quelqu'un d'autre qu'il y ait des attaches ou non.



**AVERTISSEMENT** *Ne pas échapper ni jeter l'outil car ceci peut causer du dommage le rendant dangereux à utiliser. Si l'outil s'est fait échappé ou jeté, l'examiner soigneusement afin de déterminer s'il est courbé, fendu ou s'il y a des fuites ou pièces détachées endommagées. ARRÊTER et réparer avant d'utiliser, sinon, il y a risque de blessures graves.*

**ATTENTION** *Éviter d'utiliser la cloueuse pour une période de temps prolongée. Cesser d'utiliser la cloueuse si l'on ressent des douleurs dans les mains ou dans les bras.*

**ATTENTION** *Tenir l'outil par la surface de prise isolée en effectuant le travail lorsque l'outil ou l'attache pourrait entrer en contact avec un câblage caché. Un contact avec un fil « sous tension » rendra les pièces de métal exposées de l'outil « sous tension » et produira un choc pour l'opérateur.*

**AVERTISSEMENT** *Ne jamais placer les mains ou toute autre partie du corps dans la section de décharge des clous de la cloueuse. L'outil pourrait décharger une attache menant à la mort ou à de graves blessures.*



### SÉCURITÉ ÉLECTRIQUE

**AVERTISSEMENT** *L'avant de l'outil pourrait être placé « sous tension » si l'outil entre en contact avec des fils sous tension dans le mur. POUR ÉVITER TOUT CHOC ÉLECTRIQUE ACCIDENTEL, TENIR L'OUTIL SEULEMENT PAR LA POIGNÉE À PRISE SOUPLE.*



### UTILISATION ET ENTRETIEN DE L'OUTIL

**a. Ne pas forcer l'outil. Utiliser le bon outil pour l'application.** Le bon outil effectuera le meilleur travail sécuritaire au rythme pour lequel il a été conçu.

**AVERTISSEMENT** *Débrancher l'outil de la source d'air avant tout ajustement, entretien de l'outil, déblocages, avant de toucher l'étrier de sécurité, avant de quitter l'aire de travail, de charger ou de décharger l'outil. De telles mesures de précautions réduisent le risque de blessures.*

**b. Ranger l'outil lorsqu'il n'est pas utilisé hors de portée des enfants et autres personnes non formées.** Un outil est dangereux dans les mains d'utilisateurs non formés.

**c. Il faut entretenir l'outil avec soin.** Un outil bien entretenu réduit le risque de problèmes et est plus facile à contrôler.

**d. Utiliser seulement les attaches indiquées dans la section « Information sur les attaches interchangeables » de la page 30.** Les attaches non identifiées pour une utilisation avec cet outil par le fabricant de l'outil pourraient mener à des risques de blessures pour les personnes ou des dommages à l'outil si utilisées dans cet outil.

**e. Toujours travailler dans un endroit bien ventilé. Porter un masque anti-poussières homologué OSHA.**

**AVERTISSEMENT** *Toujours débrancher l'outil de la source de courant lorsqu'il est sans supervision, pour effectuer son entretien ou des réparations, pour débloquer, charger, décharger ou déplacer l'outil vers un nouvel endroit.*

**AVERTISSEMENT** *L'outil doit être ajusté à un raccord ou à coupleur de boyau sur ou près de l'outil pour que tout air comprimé de l'outil soit déchargé lorsque le raccord ou le coupleur de boyau est débranché. Ne pas utiliser de clapet de non-retour ou tout autre raccord qui laisse de l'air dans la cloueuse. Ceci pourrait mener à des blessures graves ou à la mort.*

**AVERTISSEMENT** *Ne jamais transporter l'outil par le boyau et ne pas tirer le boyau pour déplacer la cloueuse ou un compresseur. Garder les boyaux loin de la chaleur, de l'huile et des bords tranchants. Remplacer tout boyau endommagé, affaibli ou usé. Sinon il pourrait y avoir des blessures personnelles ou des dommages à l'outil.*

**AVERTISSEMENT** *Ne pas enfoncer de clou sur d'autres clous. Le clou pourrait dévier et provoquer la mort ou de graves piqûres.*

**f. Ne pas retirer les étiquettes de l'outil.**

**g. Ne pas modifier ou altérer la cloueuse ou les pièces de la cloueuse. Ne pas utiliser la cloueuse si des écrans ou des protecteurs ont été retirés ou modifiés.** Ne pas utiliser la cloueuse comme marteau. Sinon il pourrait y avoir des blessures personnelles ou des dommages à l'outil.

**DANGER** *Ne pas utiliser tous types de gaz inflammables ou oxygène comme source d'alimentation de la cloueuse. Utiliser seulement de l'air comprimé filtré, lubrifié, contrôlé. Utiliser un gaz comprimé au lieu de l'air comprimé pourrait faire exploser la cloueuse ce qui pourrait causer la mort ou de graves blessures.*

## Importantes Instructions De Sécurité (Suite)

**▲ DANGER** *Ne jamais utiliser d'essence ou d'autres liquides inflammables pour nettoyer la cloueuse. Ne jamais utiliser la cloueuse en présence de liquides ou gaz inflammables. Les vapeurs pourraient créer une étincelle et une explosion qui mènerait à la mort ou à de graves blessures.*

**h. Éviter d'utiliser la cloueuse avec un chargeur vide.**

Cela pourrait accélérer l'usure de la cloueuse.

**▲ DANGER** *Ne pas modifier ou altérer la pointe de contact (PC). Ne pas attacher ou mettre de ruban sur la PC ou sur la gâchette en position enfoncée. Ceci pourrait mener à des blessures graves ou à la mort.*

**▲ ATTENTION** *Toujours vérifier que la pointe de contact (PC) fonctionne correctement. Un clou pourrait être entraîné accidentellement si la PC ne fonctionne pas correctement. Des blessures graves pourraient en résulter.*

**▲ DANGER** *Ne pas toucher la gâchette à moins d'enfoncer des clous. Ne jamais attacher de conduite d'air à la cloueuse ou transporter la cloueuse en touchant la gâchette. L'outil pourrait décharger une attache menant à la mort ou à de graves blessures.*

### SERVICE

- Tout le travail d'entretien et de réparation doit être effectué seulement par un personnel de réparation qualifié.**
- En réparant ou faisant l'entretien d'un outil, utiliser seulement des pièces de rechange identiques. Utiliser seulement des pièces autorisées.**
- Utiliser seulement les lubrifiants fournis avec l'outil ou spécifiés par le fabricant.**

**▲ ATTENTION** *Couper l'alimentation d'air et décharger toute pression du poussoir avant d'essayer de dégager les blocages parce que les attaches peuvent être projetées de l'avant de la cloueuse. Des blessures graves pourraient en résulter.*

### SOURCE D'AIR

- Ne jamais brancher à une source d'air pouvant dépasser 1379 kPa.** Une surpression de l'outil peut mener à un éclatement, une opération anormale, un bris de l'outil ou de graves blessures. Utiliser seulement de l'air comprimé propre, sec, contrôlé à une pression nominale ou dans la plage de pression nominale tel qu'indiqué sur l'outil. Toujours vérifier avant d'utiliser l'outil que la source d'air est ajustée à la pression d'air nominale ou dans la plage de pression d'air nominale.
- Ne jamais utiliser d'oxygène, de dioxyde de carbone, de gaz combustible ou tout gaz en bouteille comme source d'air de l'outil.** De tels gaz peuvent exploser et provoquer de graves blessures.

**AVIS** *Le compresseur d'air utilisé avec cette cloueuse doit conformer aux exigences établies par l'American National Standards Institute Standard B19.3-1991; Safety Standard for Compressors for Process Industries. Contacter le fabricant du compresseur pour plus d'informations.*

**CONSERVER CES INSTRUCTIONS  
NE LES JETEZ PAS**

## Déballage

Dès que l'appareil est déballé, l'inspecter attentivement pour tout signe de dommages en transit. Vérifier s'il y a des pièces desserrées, manquantes ou endommagées. S'assurer de resserrer tous les raccords, boulons, etc. avant de le mettre en service. Vérifier pour s'assurer que tous les accessoires fournis sont inclus avec l'appareil. Pour toutes questions, pièces endommagées ou manquantes, appeler le 1-800-543-6400 pour le service à la clientèle.

### CONTENU

- ◆ Cloueuse de pointes de vitrier
- ◆ Micropointes sans tête de calibre 23, 19,1 mm (3/4 po)
- ◆ Mode d'emploi
- ◆ Carte de garantie
- ◆ Sac de transport
- ◆ Clés

### AUTRES ARTICLES NON INCLUS

- ◆ Compresseur (doit pouvoir maintenir au moins 483 kPa (60 lb/po<sup>2</sup>) lorsqu'on utilise la cloueuse)
- ◆ Tuyau d'air
- ◆ Petit outil pour débloquer
- ◆ Colle de frein-filet
- ◆ ANSI Z87 Protection oculaire
- ◆ Protection auditive et autre équipement de protection personnelle, si nécessaire

## Assemblage

Cet outil est fourni entièrement assemblé.

Les symboles **DANGER, AVERTISSEMENT, ATTENTION ET AVIS** ainsi que les instructions de ce manuel ne peuvent pas couvrir toutes les conditions et situations qui pourraient se produire. L'opérateur doit comprendre que le bon sens et des précautions sont des facteurs qui ne peuvent pas être inclus dans ces produits, mais doivent être fournis par l'opérateur.

## Glossaire

Familiarisez-vous avec ces termes avant d'utiliser l'appareil.

**ACTIVER (OUTIL)** — Provoquer le déplacement du(des) composant(s) de l'outil pour enfoncer l'attache.

**SYSTÈME D'ACTIVATION** — L'utilisation d'une gâchette, pointe de contact et/ou autre contrôle d'utilisation, séparément ou en combinaison ou séquence, pour activer l'outil.

**ARRIVÉE D'AIR** — L'ouverture de branchement d'alimentation d'air comprimé, normalement par un raccord fileté.

**ATTACHES** — Cette cloueuse utilise des clous de pointe de 23 g de tailles allant de 9,5 à 22,2 mm (3/8 à 7/8 po)

**CHARGEUR** — La partie de la cloueuse qui contient les attaches.

**PRESSION D'AIR MAXIMALE** — La pression d'air comprimé maximale permise, tel qu'indiqué par le fabricant pour utiliser l'outil.

**EMBOUT ANTI-MARQUES** — L'embout anti-marques est conçu pour éliminer les marques causées par la pointe de contact (PC) (voir la figure 4). L'embout anti-marques peut être retiré s'il n'est pas requis (voir RETIRER L'EMBOUT ANTI-MARQUES) ou lorsqu'on préfère un fraisage un peu plus profond. Glisser simplement l'anti-marques de la PC.

**kPa** — Mesure de la pression de la force de l'air. La sortie réelle en kPa se mesure par un manomètre sur le compresseur.

**RACCORD RAPIDE** — Un coupleur rapide conçu pour fonctionner en combinaison avec un bouchon rapide pour joindre facilement et rapidement un outil pneumatique en tuyau à air (Voir Figure 2).

**BOUCHON RAPIDE** — Un bouchon rapide conçu pour fonctionner en combinaison avec un coupleur rapide pour joindre facilement et rapidement un outil pneumatique en tuyau à air (Voir Figure 3).

**RÉGULATEUR** — Un dispositif utilisé pour contrôler la pression d'air à un outil à air.

**COLLE DE FREIN-FILET** — Une colle de frein-filet appliquée aux filets des vis avant l'installation. Empêche les vis de se desserrer en utilisant l'outil.

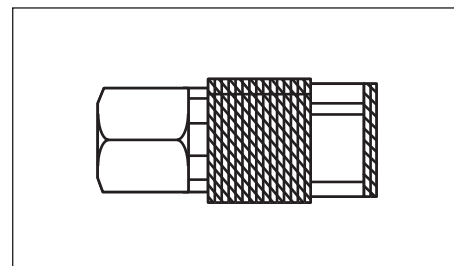


Figure 2 - Raccord Rapide

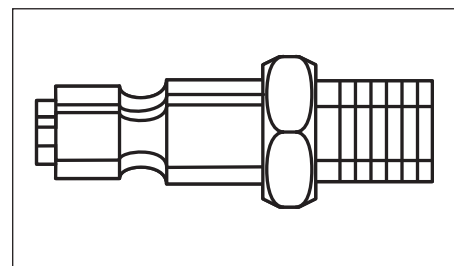


Figure 3 - Bouchon Rapide

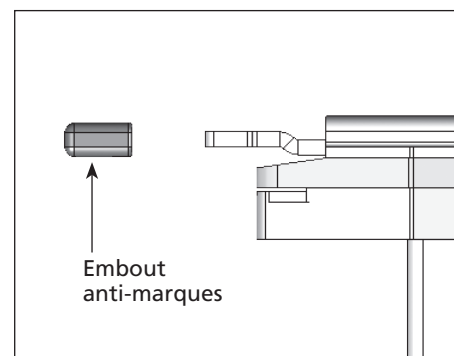


Figure 4



## Apprendre à connaître sa cloueuse de pointes comme un professionnel

### DÉFLECTEUR D'ÉCHAPPEMENT AJUSTABLE

Cet outil est doté d'une fonction de déflecteur d'échappement ajustable. Ceci permet de rediriger l'échappement de l'outil dans toute position pratique pour l'utilisateur. Tourner le déflecteur dans toute direction voulue.

### EMBOUT ANTI-MARQUES

L'outil est doté d'un embout anti-marques. Pour utiliser l'embout anti-marques, glisser tout simplement sur la PC des outils.

### PRISE CONFORTABLE DE CAOUTCHOUC

L'outil est doté d'une prise confortable de caoutchouc. Ceci aide à maintenir une prise solide et évite la fatigue.

### MÉCANISME AUTO-AJUSTABLE DE LONGUEUR DE POINTES

L'outil est doté d'un pratique mécanisme auto-ajustable de longueur de pointes. Charger tout simplement les pointes voulues dans le chargeur et laisser l'outil s'ajuster.

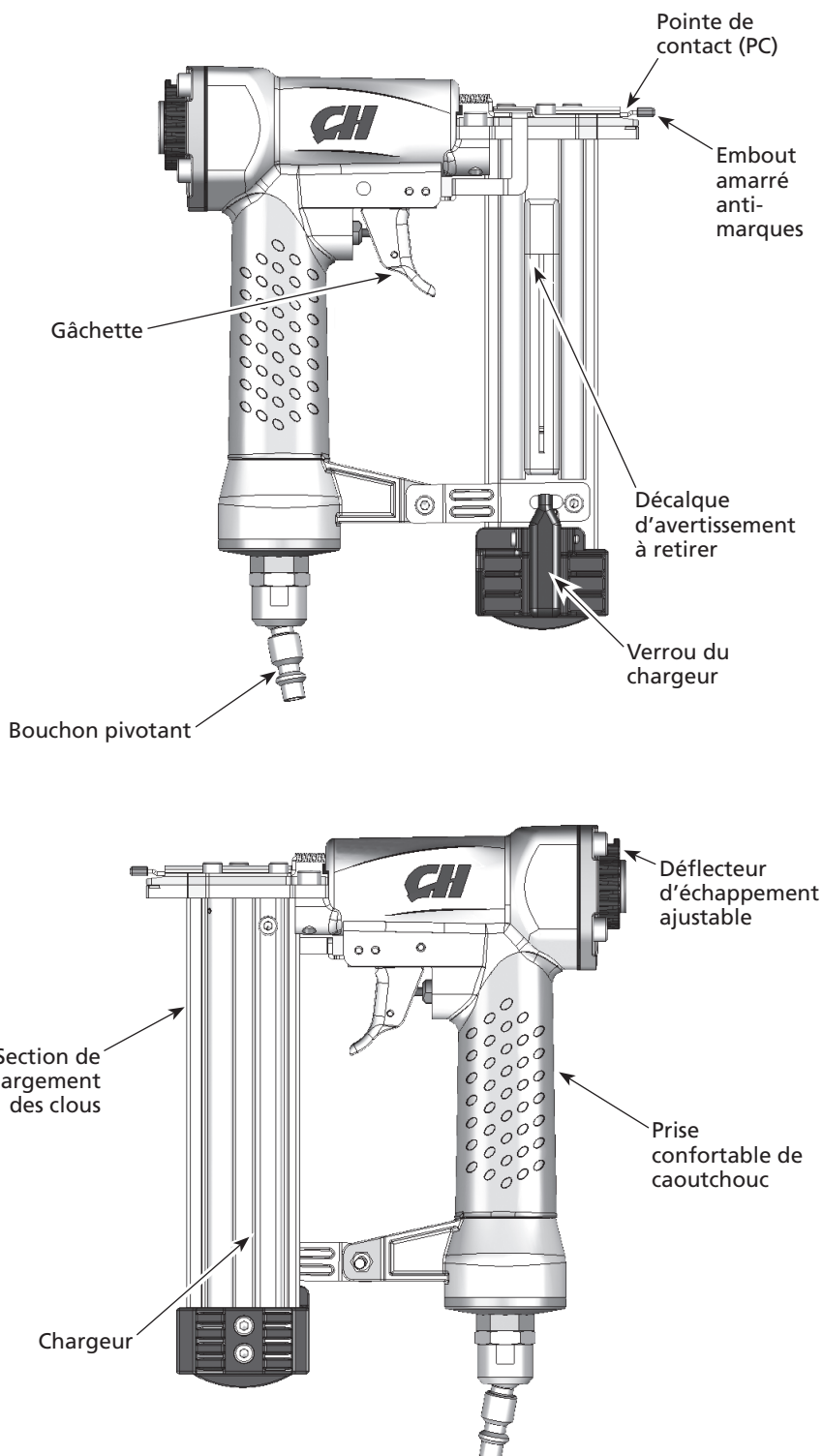


Figure 5 - Composants de cloueuse de pointes

**Installation**

**LUBRIFICATION**

Cette cloueuse **N'EXIGE** pas de lubrification pour une opération normale. Par contre, une lubrification **N'ENDOMMAGERA** pas l'outil.

**AVIS**

*La surface de travail pourrait être endommagée par une lubrification excessive.*

**COMPOSANTS MINIMAUX REQUIS POUR LE RACCORD**

**COMPRESSEUR D'AIR :** Le compresseur doit pouvoir maintenir au moins 414 kPa (60 lb/po<sup>2</sup>) lorsqu'on utilise la cloueuse. Une alimentation d'air inadéquate peut mener à une perte de courant et à un entraînement inconsistant (voir tableau 1).

**RÉGULATEUR DE PRESSION :** Il faut un régulateur de pression pour contrôler la pression d'utilisation de la cloueuse entre 414 et 690 kPa (60 et 100 lb/po<sup>2</sup>).

**BOYAU D'ALIMENTATION D'AIR :** **TOUJOURS** utiliser des boyaux d'alimentation d'air avec une pression de service minimale égale à ou supérieure à la pression de la source de courant, ou 1 034 kPa (150 lb/po<sup>2</sup>), selon la valeur la plus élevée. Utiliser un tuyau d'air d'au moins 6,4 mm (1/4 po) pour les distances jusqu'à 15,24 m (50 pi). Utiliser des tuyaux d'air de 9,5 mm (3/8 po) pour les distances de 15,24 m (50 pi) ou plus (voir la figure 6 et le tableau 2).

**INSTRUCTIONS DE BRANCHEMENT DE LA CLOUEUSE À L'ALIMENTATION D'AIR**

La figure 8 montre le branchement recommandé pour la cloueuse.

**REMARQUE :** Pour une meilleure performance, installer un bouchon rapide de 9,5 mm (3/8 po) (filets 1/4 po NPT) avec un diamètre intérieur de 8 mm (0,315 po) sur la cloueuse et un coupleur rapide de 9,5 mm (3/8 po) sur le tuyau d'air.

1. Avec l'interrupteur MARCHE/ARRÊT à la position d'ARRÊT (OFF), branchez le compresseur dans la prise de courant.
2. Fermer le régulateur de pression en tournant jusqu'au bout à gauche. Mettez l'interrupteur du compresseur à la position de MARCHE (ON) et laissez pomper jusqu'à la pression d'arrêt automatique.
3. Brancher le tuyau d'air à la sortie du régulateur. Ajuster le régulateur de pression en tournant vers la droite pour que la pression de sortie soit entre 414 à 690 kPa (60 à 100 lb/po<sup>2</sup>)
4. Charger les attaches dans la cloueuse (voir la section Charger/décharger la cloueuse de la page 26).
5. Pointer la cloueuse dans une direction sans danger tout en installant au tuyau à air.
6. La cloueuse est prête à utiliser. Il faudra peut-être ajuster la pression de sortie pour avoir la profondeur d'attache appropriée.


	414 kPa Min.
	690 kPa Max.

Tableau 1

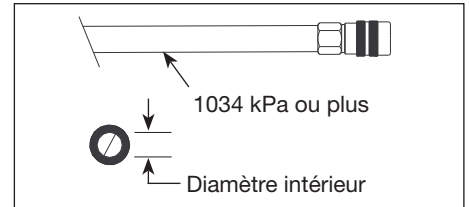


Figure 6 - Exigences du tuyau à air

EXIGENCES DU TUYAU À AIR	
DIAMÈTRE	LONGUEUR D'ACHEMINEMENT
1/4 po	Moins de 15,24 m (50 pi)
3/8 po	Plus de ou égale à 15,24 m (50 pi)

Tableau 2

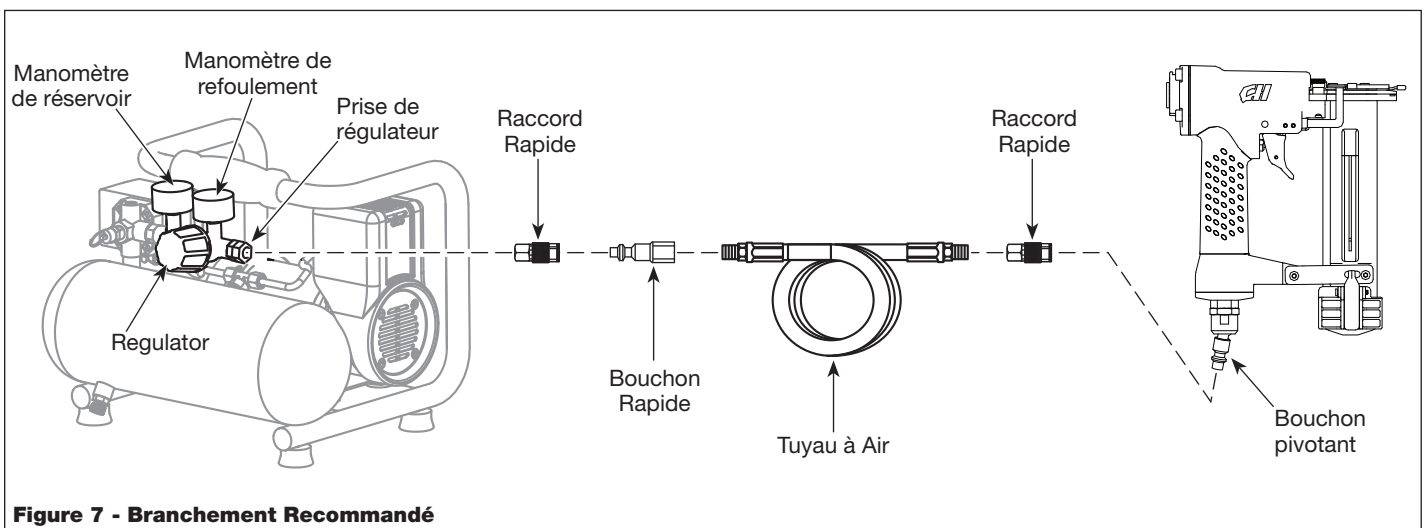


Figure 7 - Branchement Recommandé

## Installation (suite)

### CHARGEMENT/DÉCHARGEMENT DE L'OUTIL

Toujours **débrancher** l'outil de l'alimentation d'air **avant** de charger ou de décharger les attaches. Choisir le type d'attache à utiliser pour le projet. Il y a des attaches supplémentaires dans les centres de rénovations principaux.

#### Chargement de l'outil

1. Enfoncer le bouton du loquet. Reculer entièrement le couvercle du chargeur.
2. Insérer un bâtonnet d'attaches dans le chargeur sous la plaque de longueur de clou automatique. S'assurer que les extrémités pointues des goupilles reposent sur le bord inférieur du chargeur en chargeant. S'assurer que les goupilles ne sont pas sales ou endommagées. Les goupilles sont marquées pour la direction de chargement.
3. Enfoncer le couvercle du chargeur vers l'avant jusqu'à ce que le loquet s'engage.

#### Déchargement de l'outil

1. Enfoncer le bouton du loquet. Reculer entièrement le couvercle du chargeur.
2. Retirer les pointes du chargeur.
3. Enfoncer le couvercle du chargeur vers l'avant jusqu'à ce que le loquet s'engage.
4. Toujours retirer toutes les attaches du chargeur avant de ranger l'outil.  
L'opération de déchargement s'effectue à l'inverse de l'opération de chargement mais il faut toujours débrancher le tuyau d'air comprimé AVANT le déchargement.

### INSTALLER L'EMBOUT ANTI-MARQUES

1. Débrancher l'alimentation d'air de la cloueuse.
2. Placer l'embout anti-marques avec soin sur l'extrémité de la pointe de contact.
3. Vérifier que la PC et que la gâchette se déplace librement vers le haut et vers le bas sans accrochage ou grippage.

### RETIRER L'EMBOUT ANTI-MARQUES

1. Débrancher l'alimentation d'air de la cloueuse.
2. Retirer l'embout anti-marques de la pointe de contact.

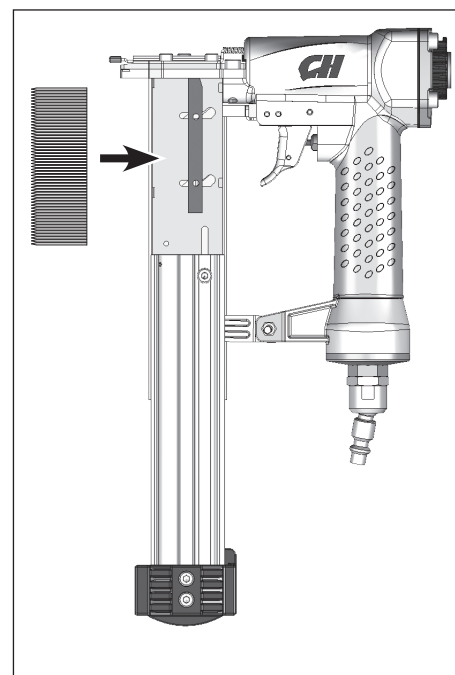


Figure 8 - Charger la cloueuse

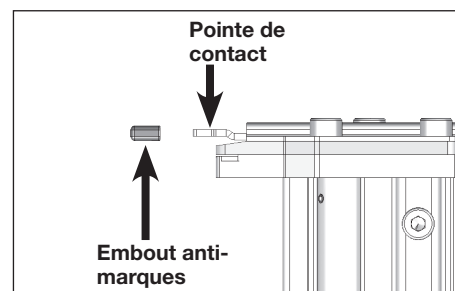


Figure 9 - Embout anti-marques

## Pré-opération

### MODES D'OPÉRATION

#### ⚠ AVERTISSEMENT

*Toujours connaître le mode d'opération de la cloueuse avant de l'utiliser. Ne pas le connaître pourrait mener à des blessures graves ou à la mort.*

#### Mode séquentiel

Cette méthode est recommandée lorsqu'il faut un placement de précision du clou. Sous ce mode, il faut tirer sur la gâchette chaque fois qu'on fait pénétrer un clou. La cloueuse s'active en enfonçant la pointe de contact (PC) contre la surface de travail pour ensuite tirer sur la gâchette. La gâchette doit être dégagée après la pénétration de chaque attache pour permettre à l'outil de se réinitialiser.

#### POINTE DE CONTACT (PC)

#### ⚠ ATTENTION

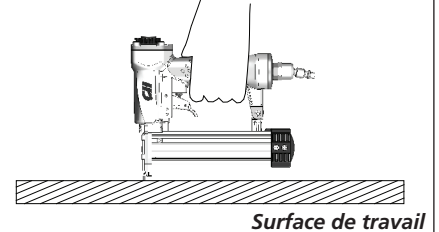
*Vérifier le fonctionnement du mécanisme de déclenchement de la pointe contact (PC) avant chaque utilisation. La PC doit se déplacer librement sans grippage à travers toute la distance de déplacement. Le ressort de la PC doit ramener la PC à sa position entièrement sortie après l'avoir enfoncé. Ne pas faire fonctionner la cloueuse si le mécanisme de déclenchement de la PC ne fonctionne pas correctement. Des blessures graves pourraient en résulter.*

1. Débrancher l'alimentation d'air de la cloueuse.
2. S'assurer que la gâchette et la pointe de contact (PC) se déplacent librement vers le haut et vers le bas sans coller ou gripper.
3. Rebrancher l'alimentation d'air à la cloueuse.
4. Utiliser une retaille de bois comme surface de travail.
5. Enfoncer la PC contre la surface de travail sans tirer la gâchette (Voir la Figure 11). La cloueuse **NE DOIT PAS ÊTRE EN MARCHE**. Ne pas utiliser l'outil s'il fonctionne sans tirer la gâchette. Des blessures pourraient en résulter.
6. Retirer la cloueuse de la surface de travail. La PC doit revenir à sa position originale vers le bas. Tirer la gâchette (voir la Figure 12) La cloueuse **NE DOIT PAS ÊTRE EN MARCHE**. Ne pas utiliser l'outil s'il fonctionne en le relevant de la surface de travail. Des blessures pourraient en résulter.
7. Tirer la gâchette et enfoncer la PC contre la surface de travail. La cloueuse **NE DOIT PAS** fonctionner.
8. Enfoncer la PC contre la surface de travail. Tirer la gâchette. La cloueuse **DOIT ÊTRE EN MARCHE**.

#### AJUSTEMENT DE LA DIRECTION D'ÉCHAPPEMENT

Cet outil est équipé d'un déflecteur de sortie à direction ajustable. Ceci permet le changement de direction de l'échappement. Orienter le déflecteur à la position désirée (Voir la Figure 13).

Enfoncer d'abord la PC...



Puis tirer la gâchette.

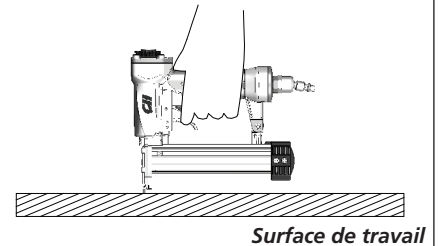


Figure 10 - Mode séquentiel

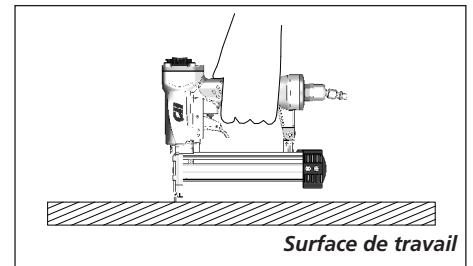


Figure 11

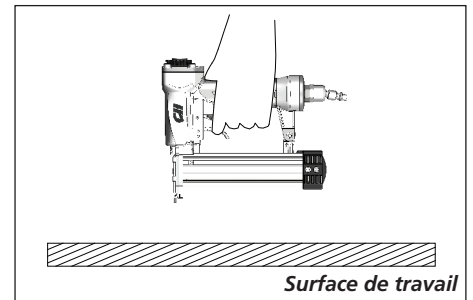


Figure 12

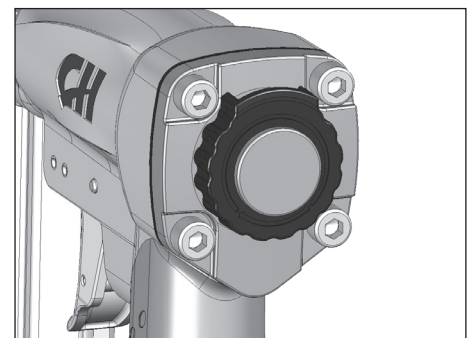


Figure 13 - Échappement ajustable

## Fonctionnement

### UTILISER LA CLOUEUSE

1. Charger les attaches (voir la section Charger/décharger la cloueuse).
2. Brancher l'alimentation d'air de la cloueuse.

**⚠ AVERTISSEMENT** *Il ne faut pas utiliser d'outil qui fonctionne mal. Ne pas activer l'outil à moins qu'il ne soit placé fermement contre la pièce de travail.*

En mode séquentiel

1. Enfoncez complètement la PC.
2. Tirer la gâchette. L'attache entrera dans la pièce de travail.

### Rangement

La cloueuse doit être rangée dans un endroit frais et sec.

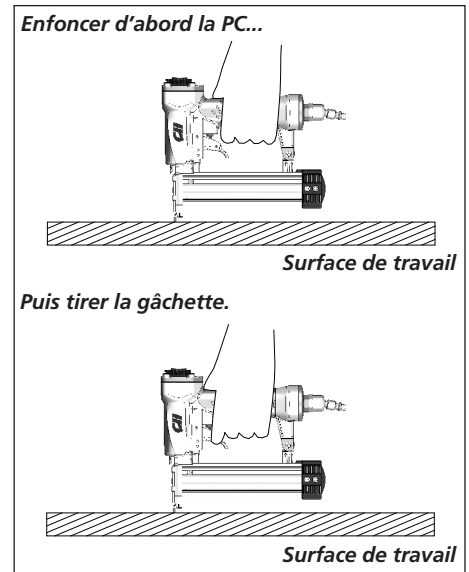


Figure 14

## Entretien

### DÉBLOQUER LA CLOUEUSE

1. Débrancher la l'outil de la source d'air.
2. Ôter tous les clous du chargeur (Voir "Chargement / Déchargement de la Cloueuse"). Manque de suivre ces directives peut résulter en l'expulsion des clous de l'avant de la cloueuse.
3. Retirer complètement les deux (2) vis de petites buses et la plaque de buse supérieure pour voir l'attache bloquée.
4. Attention de ne pas plier ou endommager la lame du tournevis, utiliser une pointe ou un autre objet pointu pour libérer et dégager l'attache bloquée.

### RÉPARATION DE LA CLOUEUSE

Seul un personnel qualité doit réparer l'outil et il doit utiliser des pièces de rechange et des accessoires authentiques de Campbell Hausfeld, ou des pièces et accessoires d'une performance équivalente.

### PIÈCES DE RECHANGE

**⚠ AVERTISSEMENT** *Utiliser seulement des pièces de rechange de Campbell Hausfeld. La performance de l'outil, la sécurité et la durabilité pourraient être réduites avec des pièces inappropriées. En commandant des pièces, spécifier le numéro de pièce.*

### PROCÉDURE D'ASSEMBLAGE POUR LES JOINTS

En réparant une cloueuse, les pièces internes doivent être nettoyées et lubrifiées. Il faut utiliser le Parker O-lube ou un produit équivalent sur tous les joints toriques. Chaque joint torique doit être recouvert de O-lube avant l'assemblage. Il faut utiliser une petite quantité d'huile sur toutes les surfaces et pivots mobiles.

### SERVICE TECHNIQUE

Pour obtenir de l'information sur le fonctionnement ou la réparation de ce produit, appeler le 1-800-543-6400.

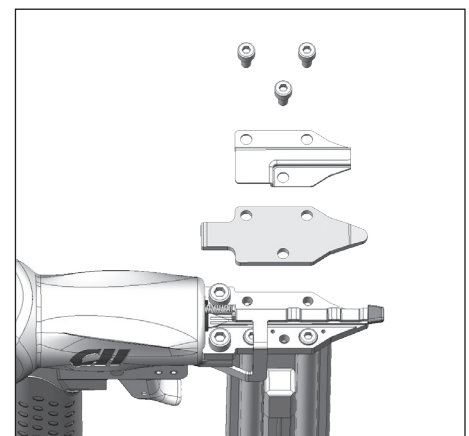


Figure 15



## Entretien (Suite)

### INFORMATION SUR LES ATTACHES INTERCHANGEABLES

Peut utiliser des goupilles de 9,5 mm à 22,2 mm (3/8 à 7/8 po) des microgoupilles marquées de 23 g:

- Senco FP10
- Air Locker P630
- Porter Cable PIN100
- Grex P635
- Max NF235A

## Guide de dépannage



**AVERTISSEMENT** Cessez l'utilisation de la cloueuse immédiatement en cas des problèmes suivants, car il résulte un risque de blessures graves. Toutes réparations doivent être effectuées par un Technicien Qualifié ou par un Centre De Service Autorisé.

SYMPTÔME	CAUSE(S) POSSIBLE(S)	ACTION CORRECTIVE
Fuite d'air à l'endroit de la soupape de la gâchette	Joints torique endommagés dans le carter de la soupape de la gâchette	Remplacer les joints toriques
Fuite d'air entre le carter et le nez	1. Joints torique endommagés 2. Amortisseur endommagé	1. Remplacer les joints torique 2. Remplacer l'amortisseur
Fuite d'air entre le carter et le capuchon	1. Vis desserrées. 2. Joint d'étanchéité endommagé	1. Serrer les vis 2. Remplacer le joint d'étanchéité
Outil passe l'entraînement d'attache	1. Amortisseur usé 2. Saleté dans la pièce du nez 3. La saleté ou les dommages empêchent les attaches ou le poussoir de déplacer librement dans le chargeur 4. Ressort de poussoir endommagé 5. Circulation d'air inadéquate à l'outil 6. Joint torique du piston usé ou manque de lubrification 7. Joint torique de la soupape de gâchette endommagé 8. Fuites d'air 9. Joint d'étanchéité du chapeau fuit 10. Défaut dans la plaque de longueur de clou automatique	1. Remplacer l'amortisseur 2. Nettoyer la rainure du chassoir 3. Nettoyer le chargeur 4. Remplacer le ressort 5. Inspecter le raccord, tuyau ou le compresseur 6. Remplacer les joints torique. Graisser 7. Remplacer les joints torique 8. Serrer les vis et raccords 9. Remplacer le joint d'étanchéité 10. Corriger le problème de plaque
Outil tourne lentement ou a perdu du courant	1. Outil non lubrifié suffisamment 2. Rupture du ressort du capuchon de cylindre 3. Orifice d'échappement du capuchon obstrué	1. Graisser la cloueuse 2. Remplacer le ressort 3. Remplacer les pièces internes endommagées
Les attaches sont bloquées dans l'outil	1. Guide du chassoir usé 2. Les attaches ne sont pas de la bonne taille 3. Les attaches sont pliées 4. Vis du chargeur ou nez dégagés 5. Chassoir endommagé	1. Remplacer le guide 2. Utiliser seulement les attaches recommandées 3. Remplacer par des attaches non endommagées 4. Serrer les vis 5. Remplacer le chassoir

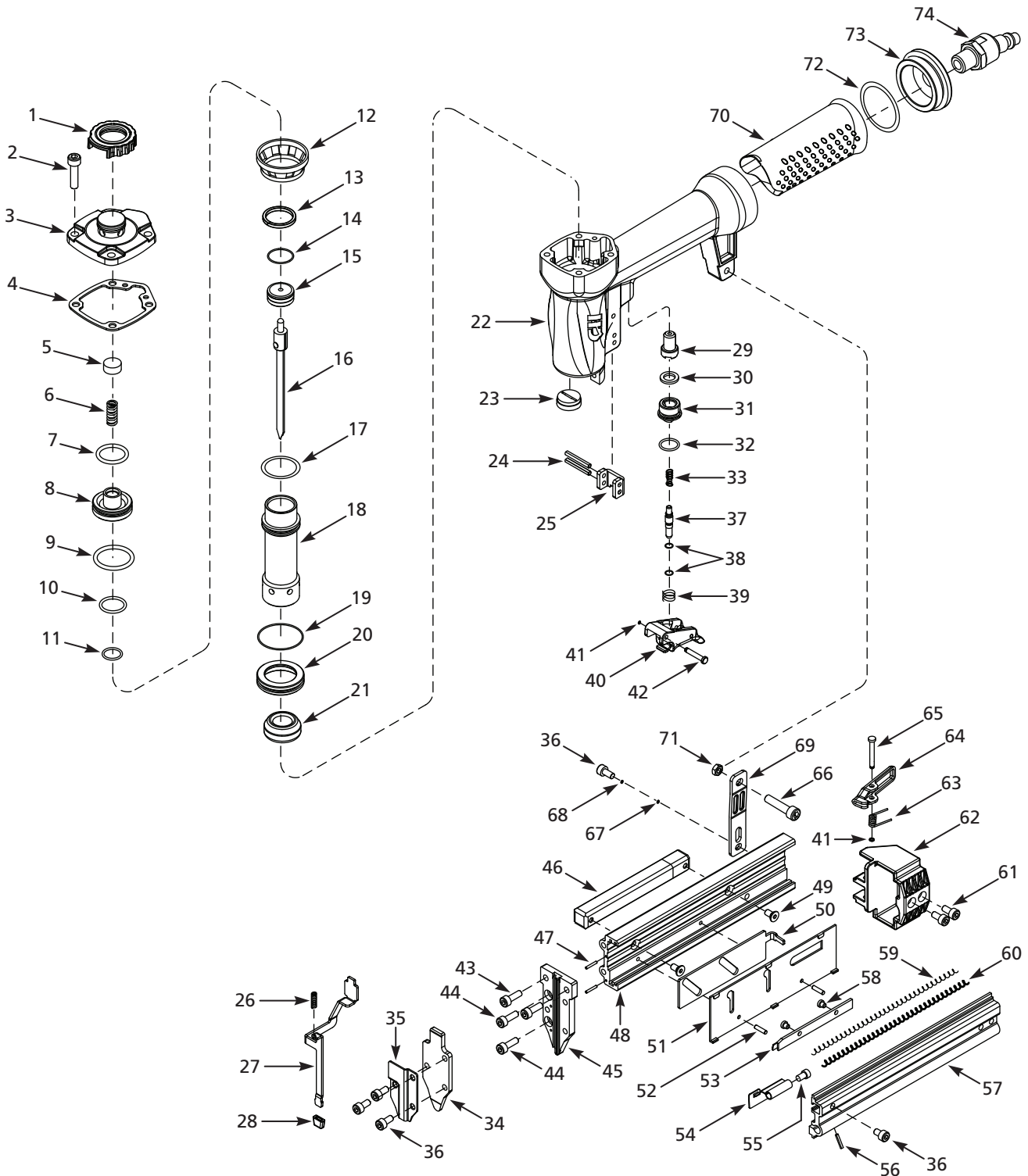
**Pour pièces de rechange ou assistance technique, appeler 1-800-543-6400**

*S'il vous plaît fournir l'information suivante :*

- Numéro de modèle
- Code imprimé sur l'outil
- Description de la pièce et son numéro

*Adresser toute correspondance à :*

Campbell Hausfeld  
 Attn: Customer Service  
 100 Production Drive  
 Harrison, OH 45030 U.S.A.



**Figure 16 - Illustration des pièces de réparation pour la cloueuse de pointes pneumatique, modèle CHN71500AV**

## Liste de pièces de rechange pour la cloueuse à clous sans tête

No. de Réf.	Description	Numéro de Pièce	Qté.	No. de Réf.	Description	Numéro de Pièce	Qté.
1	Défecteur d'échappement	—	1	51	Plaque du chargeur	—	1
2	Vis d'assemblage à tête creuse - M4 x 16	*	4	52	Goupille à ressort	—	2
3	Chapeau de culasse	—	1	53	Assemblage de limiteur	—	1
4	Joint d'étanchéité	■	1	54	Poussoir	—	1
5	Garniture étanche d'échappement	■	1	55	Siège du poussoir	—	1
6	Ressort	■	1	56	Goupille à ressort	*	1
7	Joint torique	■	1	57	Porte de chargeur	—	1
8	Soupape de tête	—	1	58	Broches épaulées	—	2
9	Joint torique	■	1	59	Ressort de poussoir	■	1
10	Joint torique	■	1	60	Ressort	■	1
11	Joint torique	■	1	61	Vis d'assemblage à tête creuse - M4 x 10	*	2
12	Collier	—	1	62	Chapeau d'extrémité du chargeur	—	1
13	Anneau de piston	▲	1	63	Ressort de bouchon de chargeur	■	1
14	Joint torique	▲	1	64	Clenche du chargeur	—	1
15	Piston	▲	1	65	Goupille	—	1
16	Lame d'entraînement	▲	1	66	Vis d'assemblage à tête creuse - M4 x 18	*	1
17	Joint torique	■	1	67	Rondelle	—	1
18	Cylindre	—	1	68	Rondelle	—	1
19	Joint torique	■	1	69	Fixation du chargeur	—	1
20	Plaque de restricteur	—	1	70	Prise manuelle	—	1
21	Pare-chocs	■	1	71	Écrou - M4	*	1
22	Corps	—	1	72	Joint torique	■	1
23	Buse	■	1	73	Chapeau d'extrémité d'entrée	—	1
24	Goupille à ressort	■	2	74	Fiche pivotante de 1/4 - 18 I/M (M)	SV567600AV	1
25	Fixation de pointe de contact	—	1	<b>TROUSSES DE PIÈCES DE RECHANGE</b>			
26	Ressort de pointe de contact	■	1	▲	Assemblage de lame d'entraînement	SKN19900AV	
27	Pointe de contacte	—	1	■	Trousse de reconstruction complète	SKN23900AV	
28	Tête non-marquée	■	1	—	Non disponible		
29	Tête de soupape de gâchette	—	1	*	Article de quincaillerie standard - disponible à votre quincaillerie locale6		
30	Joint de soupape	■	1				
31	Soupape de gâchette	—	1				
32	Joint torique	■	1				
33	Ressort de tige de soupape de gâchette	■	1				
34	Guide d'entraînement supérieur	—	1				
35	Couvercle du guide d'entraînement	—	1				
36	Vis d'assemblage à tête creuse - M4 x 8	*	5				
37	Tige de soupape de gâchette	—	1				
38	Joint torique	■	2				
39	Ressort de gâchette	■	1				
40	Gâchette équipée	—	1				
41	Joint torique de retenue	—	2				
42	Goupille	—	1				
43	Vis d'assemblage à tête creuse - M4 x 14	*	2				
44	Vis d'assemblage à tête creuse - M4 x 14	*	2				
45	Guide d'entraînement inférieur	—	1				
46	Boîtier à décalque de rappel	—	1				
47	Pointes droites	—	2				
48	Chargeur	—	1				
49	Vis - M4 x 10	*	2				
50	Plaque coulissante du chargeur	—	1				

**Mémento:** Gardez votre preuve datée d'achat à fin de la garantie! Joignez-la à ce manuel ou classez-la dans un dossier pour plus de sécurité.

## Garantie Limitée

1. DURÉE: À partir de la date d'achat par l'acheteur original comme suit - Un An.
2. GARANTIE ACCORDÉE PAR (GARANT): Campbell Hausfeld/Scott Fetzer Company, 100 Production Drive, Harrison, Ohio, 45030, Téléphone: (800) 543-6400
3. BÉNÉFICIAIRE DE CETTE GARANTIE (ACHETEUR): L'acheteur original (sauf en cas de revente) du produit Campbell Hausfeld.
4. PRODUITS COUVERTS PAR CETTE GARANTIE: Cette agrafeuse ou cloueuse Campbell Hausfeld.
5. COUVERTURE DE LA PRÉSENTE GARANTIE: Défauts importants des matériaux et de main d'oeuvre qui se produisent durant la période de garantie à l'exception de ce qui est noté plus bas.
6. LA PRÉSENTE GARANTIE NE COUVRE PAS:
  - A. Les garanties implicites, y compris celles de commercialisabilité et D'ADAPTION À UNE FONCTION PARTICULIÈRE SONT LIMITÉES À PARTIR DE LA DATE D'ACHAT INITIALE TELLE QU'INDIQUÉE DANS LA SECTION DURÉE. Si ce produit est utilisé pour une fonction commerciale, industrielle ou pour la location, la durée de la garantie sera quatre-vingt-dix (90) jours à compter de la date d'achat. Quelques Provinces (États) n'autorisent pas de limitations de durée pour les garanties implicites. Les limitations précédentes peuvent donc ne pas s'appliquer.
  - B. TOUT DOMMAGE, PERTE OU DÉPENSE FORTUIT OU INDIRECT POUVANT RÉSULTER DE TOUT DÉFAUT, PANNE OU MAUVAIS FONCTIONNEMENT DU PRODUIT CAMPBELL HAUSFELD. Quelques Provinces (États) n'autorisent pas l'exclusion ni la limitation des dommages fortuits ou indirects. La limitation ou exclusion précédente peut donc ne pas s'appliquer.
  - C. Toute panne résultant d'un accident, d'une utilisation abusive, de la négligence ou d'une utilisation ne respectant pas les instructions données dans le(s) manuel(s) accompagnant le produit. Un accident, l'utilisation abusive par l'acheteur, la négligence ou le manque de faire fonctionner les produits selon les instructions comprend aussi l'enlèvement ou la modification de n'importe quel appareil de sûreté. Si ces appareils de sûreté sont enlevés ou modifiés, la garantie sera annulée.
  - D. Réglages normaux qui sont expliqués dans le(s) manuel(s) d'utilisation accompagnant le produit.
  - E. Articles ou services qui sont exigés pour l'entretien normal du produit; par ex. joints toriques, ressorts, butées, filtres de débris, lames d'entraînement, joints d'étanchéité, emballages ou sceaux, lubrifiants ou toute autre pièce consommable non spécifiquement indiquée. Ces articles ne seront couverts que pendant quatre-vingt-dix (90) jours de la date d'achat original. Les articles soulignés sont garantis contre les défauts de matériaux et de main d'œuvre seulement.
7. RESPONSABILITÉS DU GARANT AUX TERMES DE CETTE GARANTIE: Réparation ou remplacement, au choix du Garant, de produits ou composants défectueux, ont connu une défaillance ou qui ne sont pas conformes pendant la durée précise de validité de la garantie.
8. RESPONSABILITÉS DE L'ACHETEUR AUX TERMES DE CETTE GARANTIE:
  - A. Fournir une preuve d'achat datée et un état d'entretien.
  - B. Appelez Campbell Hausfeld (800) 543-6400 pour obtenir vos options de service sous garantie. Les frais de transport sont la responsabilité de l'acheteur.
  - C. Utilisation et entretien du produit avec un soin raisonnable, ainsi que le décrit le(s) manuel(s) d'utilisation.
9. RÉPARATION OU REMPLACEMENT EFFECTUÉ PAR LE GARANT AUX TERMES DE LA PRÉSENTE GARANTIE: La réparation ou le remplacement sera prévu et exécuté en fonction de la charge de travail dans le centre de service et dépendra de la disponibilité des pièces de rechange.

Cette Garantie Limitée s'applique aux É.-U., au Canada et au Mexique seulement et vous donne des droits juridiques précis. L'acheteur peut également jouir d'autres droits qui varient d'une Province, d'un État ou d'un Pays à l'autre.



# Clavadora de clavos sin cabeza

Manual de Instrucciones y Lista de Piezas

**CHN71500**



ENGLISH: Page 1  
FRANÇAISE: Page 17

IN730100AV 1/10

© 2010 Campbell Hausfeld/Scott Fetzer



LE FACILITA TRABAJAR COMO UN PROFESIONAL

## Índice

---

Descripción.....	S-35	Para cargar y descargar la herramienta.....	S-42
Especificaciones .....	S-35	Para cargar la herramienta.....	S-42
Medidas de seguridad .....	S-36	Para descargar la herramienta..	S-42
Símbolos de seguridad .....	S-36	Instalación de la punta antirrayones.....	S-42
Importantes instrucciones de seguridad.....	S-36	Desinstalación de la punta antirrayones.....	S-42
Instrucciones sobre peligro de incendios, choque eléctrico o lesiones personales.....	S-36	Pre-Funcionamiento .....	S-43
Proposición 65 de California .....	S-36	Modos de funcionamiento.....	S-43
General.....	S-36	Modo de secuencia.....	S-43
Área de trabajo .....	S-36	Elemento de contacto de trabajo (WCE) .....	S-43
Seguridad personal .....	S-37	Ajuste de la dirección del orificio de salida.....	S-43
Seguridad eléctrica .....	S-37	Funcionamiento .....	S-44
Uso y cuidado de la herramienta..	S-37	Disparo de la clavadora .....	S-44
Servicio.....	S-38	Almacenamiento.....	S-44
Suministro de aire .....	S-38	Mantenimiento .....	S-44
Desempaque.....	S-38	Como desobstruir la clavadora...	S-44
Contenidos .....	S-38	Reparación de la clavadora .....	S-44
Artículos adicionales no incluidos.....	S-38	Piezas de repuesto .....	S-44
Ensamblaje .....	S-38	Procedimiento de ensamblaje para los sellos .....	S-44
Glosario .....	S-39	Servicio técnico.....	S-44
Conozca su clavadora de clavos sin cabeza como un profesional.....	S-40	Información de intercambio de sujetadores .....	S-45
Características .....	S-40	Guía de resolución de problemas ..	S-45
Deflector ajustable del orificio de salida .....	S-40	Lista de piezas de repuesto para la clavadora de puntillas .....	S-46 - S-47
Punta antirrayones .....	S-40	Garantía .....	S-48
Cómodo mango de goma.....	S-40		
Mecanismo de largo de clavo autoajutable .....	S-40		
Configuración.....	S-41		
Lubricación .....	S-41		
Componentes mínimos necesarios para la conexión .....	S-41		
Instrucciones para la conexión de la clavadora al suministro de aire...	S-41		
Requerimientos para la manguera de aire .....	S-41		

---

### Por información sobre piezas, productos y servicios

**LLAME:** Atención al cliente al 1-800-543-6400

**DIRIJA TODA LA CORRESPONDENCIA A:** Campbell Hausfeld  
Attn: Customer Service  
100 Production Drive  
Harrison, OH 45030 U.S.A.





# Clavadora de clavos sin cabeza



## Descripción

Esta clavadora de clavos sin cabeza está diseñada para clavar molduras decorativas, contravidrios y ensambles para marcos de fotografías. Las características incluyen: práctico cargador de carga lateral con una capacidad de hasta 135 clavos sin cabeza, punta antirrayones, no necesita aceite, cómodo mango de goma, conector giratorio, elemento de contacto de trabajo, mecanismo de largo de clavo autoajutable, y orificio de salida ajustable.

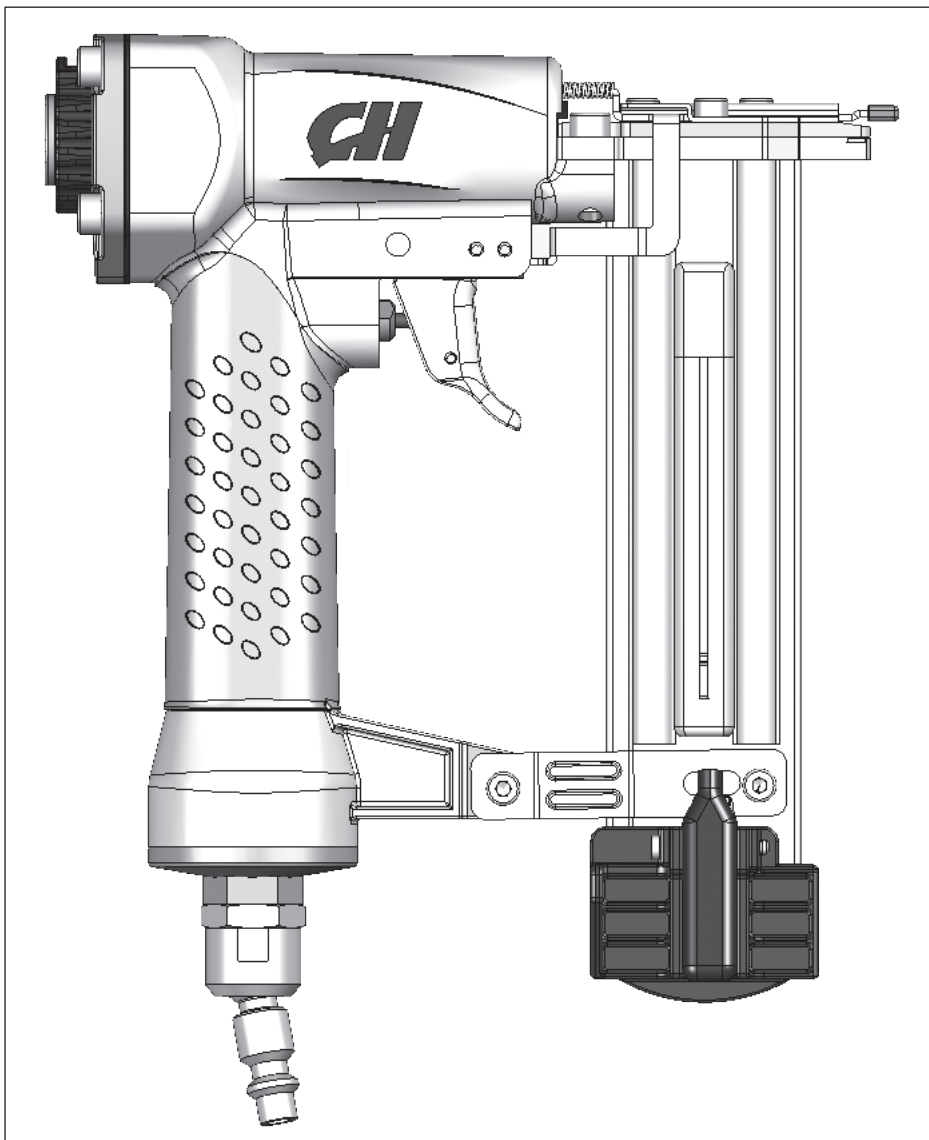


Figura 1 - Clavadora de clavos sin cabeza

## Especificaciones

### Modèle CHN71500

**Requiere:** 0,15 SCFM prom. con 10 sujetadores por minuto a 6,21 bar (90 psi)

**Entrada de Aire:** 6,4 mm NPT (1/4 pulg.)

**Tamaños de los sujetadores:** microclavos calibre 23 - 9,5 mm a 22,2 mm (3/8 pulg. a 7/8 pulg.)

**Capacidad del cargador:** 135 sujetadores por carga

**Peso:** 0,91 kg (2 lbs)

**Longitud:** 23,50 cm (9-1/4 inches)

**Altura:** 18,42 cm (7-1/4 inches)

**Presion Maxima:** 6,90 bar

**Rango de la Presion:** 4,14 bar - 6,90 bar

Localice el número de modelo y el código de fecha en el cargador y/o cuerpo de la herramienta. Regístrelo a continuación:

Nº de modelo: \_\_\_\_\_

Código de fecha: \_\_\_\_\_

Guarde estos números para referencia futura.

## Medidas de Seguridad

Este manual contiene información que es muy importante que se conozca y comprenda. Esta información se proporciona con fines de SEGURIDAD y para EVITAR PROBLEMAS CON EL EQUIPO.

Para ayudar a reconocer esta información, observe los siguientes símbolos.

**▲ PELIGRO** Peligro indica una situación inminentemente peligrosa, que si no se evita, dará como resultado la muerte o lesiones graves.

**▲ ADVERTENCIA** Advertencia indica una situación potencialmente peligrosa, que si no se evita, PODRÍA ocasionar la muerte o lesiones graves.

**▲ PRECAUCION** Precaución indica una situación potencialmente peligrosa, que si no se evita, PUEDE dar como resultado lesiones leves o moderadas.

**AVISO** Aviso indica una información importante, que de no seguirla, le podría ocasionar daños al equipo.

**NOTA:** Información que requiere atención especial.

## Símbolos de seguridad

Los siguientes símbolos de seguridad aparecen a lo largo de este manual para advertirle de importantes peligros y precauciones de seguridad.



Use protección para los ojos y máscara



Lea primero el manual



Riesgo de lesiones personales



Riesgo de caída



Use protección para los ojos



Use protección para los oídos



Riesgo de incendio



Riesgo de explosión



Riesgo de choque eléctrico

## Importantes Instrucciones De Seguridad

### INSTRUCCIONES EN REFERENCIA AL PELIGRO DE INCENDIOS, CHOQUE ELÉCTRICO O LESIONES PERSONALES

Este manual contiene información sobre seguridad, funcionamiento y mantenimiento. Si tiene preguntas, llame al 1-800-543-6400 para obtener asistencia al cliente.

**▲ ADVERTENCIA** Cuando se usen herramientas, siempre se deberán seguir precauciones básicas, incluyendo las siguientes:

#### PROPOSICIÓN 65 DE CALIFORNIA

**▲ ADVERTENCIA** Este producto, o su cordón eléctrico, puede contener productos químicos conocidos por el estado de California como causantes de cáncer y defectos de nacimiento u otros daños reproductivos. Lave sus manos después de usar.

**▲ ADVERTENCIA** Cuando corta lija, taladra o pule materiales como por ejemplo madera, pintura, metal, hormigón, cemento, u otro tipo de mampostería se puede producir polvo. Con frecuencia este polvo contiene productos químicos que se conocen como causantes de cáncer, defectos congénitos u otros daños reproductivos. Use equipo de protección.



#### GENERAL

- Para reducir el riesgo de choque eléctrico, incendio y lesiones personales, lea todas las instrucciones antes de usar la herramienta. Si no respeta las advertencias, los riesgos y las recomendaciones, eso podría resultar en la MUERTE o en LESIONES GRAVES.
- Familiarícese con los controles y el uso adecuado del equipo. Siga todas las instrucciones. Póngase en contacto con su representante Campbell Hausfeld si tiene alguna pregunta.
- Sólo se les debe permitir usar esta unidad a aquellas personas bien familiarizadas con estas reglas de manejo seguro.



**▲ ADVERTENCIA** No opere la clavadora ni permita que otros la operen si las etiquetas de advertencia están ilegibles. Éstas se encuentran en el cargador o el cuerpo de la clavadora.

**▲ ADVERTENCIA** Siempre asuma que la clavadora tiene clavos. Respete la herramienta como un implemento de trabajo; no juegue con ella. Siempre mantenga a los demás a una distancia segura del área de trabajo, en caso de una descarga accidental de clavos. No apunte con la herramienta hacia usted o hacia otra persona, ya sea que contenga o no clavos. El disparo accidental de la clavadora podría resultar en la muerte o en graves lesiones personales.

**▲ PRECAUCION** No haga ninguna modificación a la herramienta sin obtener primero la aprobación por escrito de Campbell Hausfeld. No use la clavadora si le faltan alguna de las tapas protectoras o si éstas han sido modificadas. No use la clavadora como un martillo. Se pueden producir lesiones personales o daños a la herramienta.

**AVISO** Limpie y cheque todas las mangueras de suministro de aire y conexiones antes de conectar la clavadora al compresor. Reemplace las mangueras y conexiones que estén dañadas o desgastadas. El rendimiento de la herramienta o su durabilidad podrían reducirse.

#### ÁREA DE TRABAJO

- Mantenga el área de trabajo limpia y bien iluminada. Los bancos desordenados y las áreas oscuras aumentan el riesgo de choque eléctrico, incendio y lesiones personales.
- No haga funcionar la herramienta en entornos explosivos, como por ejemplo cuando haya polvo, líquidos o gases inflamables. La herramienta puede crear chispas y provocar la ignición de polvo o vapores.
- Mantenga alejados a los observadores, niños y visitantes mientras hace funcionar la herramienta. Las distracciones pueden dar como resultado la pérdida del control de la herramienta.



## Importantes Instrucciones De Seguridad (Continuación)


### SEGURIDAD PERSONAL

- Manténgase alerta.** Mire lo que está haciendo y use el sentido común cuando haga funcionar la herramienta. No use la herramienta si está cansado o bajo la influencia de drogas, alcohol o medicamentos. Un momento de desatención mientras hace funcionar la herramienta aumenta el riesgo de lesiones personales.
- Vístase adecuadamente.** No use alhajas ni vestimenta suelta. Sujétese el cabello largo. Mantenga el cabello, vestimenta y guantes alejados de las piezas móviles. La vestimenta suelta, las alhajas o el cabello largo aumentan el riesgo de lesiones personales como resultado de quedar atrapados en las piezas móviles.
- Evite que se encienda accidentalmente.** Asegúrese de que la defensa de caucho esté hacia arriba antes de conectar el suministro de aire.
- No intente alcanzar lugares alejados.** Mantenga un buen soporte y equilibrio en todo momento. Un soporte y equilibrio adecuados permiten un mejor control de la herramienta en situaciones inesperadas. 
- Use equipo de seguridad.** Se debe usar una máscara para polvo, calzado de seguridad antideslizante y casco para las condiciones que se apliquen. 
- Use siempre una protección para el oído cuando use la herramienta.** La exposición prolongada a ruido de alta intensidad puede causar pérdida de audición. 
- No ate la manguera ni la herramienta a su cuerpo.** Adjunte la manguera a la estructura para reducir el riesgo de pérdida de equilibrio si la manguera se cambia de posición. 
- Siempre asuma que la herramienta contiene clavos.** No apunte con la herramienta hacia usted o hacia otra persona, ya sea que contenga clavos o no.


**ADVERTENCIA** No deje que la herramienta se caiga ni la tire. Esto podría dañarla o convertirla en algo peligroso de usar. En caso de que la herramienta se haya caído o la hayan tirado, revísela con cuidado a ver si está doblada o rota, si tiene alguna pieza dañada o tiene fugas de aire. DEJE de trabajar y repárela antes de usarla o podría ocasionarle heridas graves.

**PRECAUCION** Evite trabajar con esta clavadora por largos períodos. Deje de usar la clavadora si siente dolor en las manos o en los brazos.

**PRECAUCION** Sostenga la herramienta por la superficie de sujeción aislada cuando realice una operación en la que la herramienta o el sujetador puedan entrar en contacto con un cableado oculto. Al entrar en contacto con un cable con corriente las piezas metálicas expuestas de la herramienta conducirán la electricidad y el usuario recibirá un choque eléctrico.

**ADVERTENCIA** Nunca coloque las manos ni ninguna otra parte del cuerpo en el área de descarga de la clavadora. La clavadora podría disparar un sujetador y podría causar la muerte o una lesión personal grave. 

### SEGURIDAD ELÉCTRICA

**ADVERTENCIA** El extremo delantero de la herramienta puede conducir corriente si la herramienta entra en contacto con cables con corriente dentro de la pared. PARA EVITAR CHOQUES ELÉCTRICOS ACCIDENTALES, SOSTENGA LA HERRAMIENTA ÚNICAMENTE POR EL MANGO DE SUJECIÓN SUAVE. 

### USO Y CUIDADO DE LA HERRAMIENTA

- No fuerce la herramienta.** Use la herramienta correcta para la aplicación. La herramienta correcta hará el trabajo mejor y en forma más segura a la velocidad para la cual fue diseñada.
- ADVERTENCIA** Desconecte la herramienta del suministro de aire antes de hacer cualquier ajuste, realizar el mantenimiento de la herramienta, eliminar obstrucciones, tocar la horquilla de seguridad, dejar el área de trabajo, cargar o descargar la herramienta. Estas medidas de precaución reducen el riesgo de lesiones a las personas.
- Cuando no esté en uso, guarde la herramienta fuera del alcance de los niños y otras personas no capacitadas.** Una herramienta es peligrosa cuando está en manos de usuarios inexpertos.
- Cuide su herramienta.** Una herramienta mantenida adecuadamente reduce el riesgo de problemas y es más fácil de controlar.
- Use solo los sujetadores que se enumeran en la sección "Información de intercambio de sujetadores" en la página 48.** Los sujetadores no identificados por el fabricante de la herramienta para ser usados con esta herramienta pueden resultar en un riesgo de lesiones personales o daño a la herramienta cuando se usen en esta herramienta.
- Trabaje siempre en un área bien ventilada.** Use una máscara para polvo aprobada por OSHA.

**ADVERTENCIA** Desconecte siempre la herramienta de la fuente de energía cuando no la esté atendiendo, cuando le esté realizando mantenimiento o reparaciones, desobstruyéndola, cargándola, descargándola o moviéndola a un nuevo sitio.

**ADVERTENCIA** Siempre ajuste la herramienta con un conector o acoplador de mangueras colocado en o cerca de la herramienta de un modo tal que se descargue todo el aire comprimido en la herramienta en el momento en que se desconecte el conector o el acoplador de mangueras. No use una válvula de retención ni ningún otro conector que permita que el aire permanezca en la clavadora. Eso puede resultar en muerte o graves lesiones personales.

**ADVERTENCIA** Nunca transporte la clavadora sosteniéndola por la manguera de aire ni tire de la manguera para mover la clavadora o un compresor. Mantenga las mangueras alejadas del calor, aceite y bordes filosos. Cambie las mangueras que estén dañadas, debilitadas o desgastadas. Podrían provocarse daños a la herramienta o lesiones personales.

**ADVERTENCIA** No clave un clavo encima de otros clavos. El clavo podría rebotar y causar la muerte o una grave herida punzante.

- No despreague ninguna etiqueta de la herramienta.**
- No modifique ni altere la clavadora ni ninguna de sus piezas.** No use la clavadora si se ha quitado o alterado alguna protección. No use la clavadora como martillo. Podrían provocarse daños a la herramienta o lesiones personales.

## Importantes Instrucciones De Seguridad (Continuación)

**⚠ PELIGRO** *No use ningún tipo de gas inflamable ni oxígeno como fuente de energía para la clavadora. Use únicamente aire comprimido filtrado, lubricado y regulado. El uso de un gas comprimido en vez de aire comprimido puede provocar que la clavadora explote, lo cual puede ocasionar la muerte o graves lesiones personales.*

**⚠ PELIGRO** *Nunca use gasolina ni ningún otro líquido inflamable para limpiar la clavadora. Nunca use la clavadora cuando haya líquidos o gases inflamables. Los vapores podrían ser encendidos por una chispa y provocar una explosión, la cual dará como resultado la muerte o lesiones personales graves.*

**h. Evite usar la clavadora cuando el cargador esté vacío. La clavadora podría desgastarse de forma acelerada.**

**⚠ PELIGRO** *No modifique ni desactive el Elemento de contacto de trabajo (WCE, por sus siglas en inglés). No ate ni pegue con cinta el WCE ni apriete el gatillo en una posición en que esté oprimido. Eso puede resultar en muerte o graves lesiones personales.*

**⚠ PRECAUCION** *Always check that the Work Contact Siempre controle que el elemento de contacto de trabajo (WCE) esté funcionando correctamente. Si el WCE no estuviera funcionando de forma adecuada un clavo podría clavarse accidentalmente. Pueden ocurrir lesiones personales.*

**⚠ PELIGRO** *No toque el gatillo a menos que esté clavando. Nunca conecte la línea de aire a la clavadora ni transporte la misma mientras esté tocando el gatillo. La herramienta podría disparar un sujetador lo cual causará la muerte o una lesión personal grave.*

### SERVICIO

- El servicio de la herramienta debe ser realizado sólo por personal de reparaciones calificado.
- Al realizarle un servicio a la herramienta, utilice únicamente piezas de repuesto idénticas. Use sólo piezas autorizadas.
- Use sólo los lubricantes que el fabricante proporciona con la herramienta.

### SUMINISTRO DE AIRE

- Nunca conecte a un suministro de aire capaz de exceder las 13,79 bar.** Someter la herramienta a presión excesiva puede resultar en una explosión, funcionamiento anormal, daños a la herramienta o graves lesiones personales. Use sólo aire comprimido limpio, seco y regulado a la presión de funcionamiento o dentro del rango de presiones indicado en la herramienta. Antes de usar la herramienta, verifique siempre que el suministro de aire haya sido regulado a la presión de funcionamiento o esté dentro del rango de presiones indicadas.
- No use nunca oxígeno, dióxido de carbono, gases combustibles o ningún gas en botellas como suministro de aire para la herramienta.** Tales gases pueden explotar y causar graves lesiones personales.

**AVISO** *Los compresores de aire usados para suministrarle aire a la clavadora deben cumplir los requerimientos establecidos por la organización norteamericana ANSI en el código B19.3-1991; sobre seguridad y estándares para compresores de aire industriales. Contacte al fabricante de su compresor de aire para mayor información.*

**GUARDE ESTAS INSTRUCCIONES –  
NO LAS DESECHE**

## Desempaque

Después de desempacar la unidad, inspecciónela cuidadosamente para detectar cualquier daño que pueda haber ocurrido durante el envío. Verifique que no haya piezas sueltas, faltantes ni dañadas. Asegúrese de ajustar cualquier accesorio, tornillos, etc., antes de hacer funcionar la unidad. Asegúrese de que todos los accesorios proporcionados vengan con la unidad. En caso de que tenga preguntas, o de que haya piezas dañadas o faltantes, llame a 1-800-543-6400 para obtener asistencia al cliente.

### CONTENIDOS

- ◆ Clavadora de puntillas
- ◆ Microclavos sin cabeza de 19,1 mm (3/4 pulg.), calibre 23
- ◆ Instrucciones de funcionamiento
- ◆ Tarjeta de garantía
- ◆ Bolsa para transporte
- ◆ Llaves

### ARTÍCULOS ADICIONALES NO INCLUIDOS

- ◆ Compresor (debe ser capaz de mantener un mínimo de 4,83 bar (60 psi) cuando se usa la clavadora)
- ◆ Manguera de aire
- ◆ Herramienta pequeña para eliminar obstrucciones
- ◆ Pegamento fijador de roscas
- ◆ Protección para los ojos ANSI Z87
- ◆ Debe usarse protección auditiva y otros dispositivos de protección personal

## Ensamblaje

Esta herramienta viene completamente ensamblada.

Los símbolos de **PELIGRO**, **ADVERTENCIA**, **PRECAUCIÓN**, y **AVISO** y las instrucciones en este manual no pueden posiblemente cubrir todas las condiciones y situaciones posibles que puedan presentarse. El usuario debe entender que las precauciones y el sentido común son factores que no pueden incorporarse en este producto: es el usuario mismo quien debe contribuirlos.



## Glosario

Familiarícese con estos términos antes de poner la unidad en funcionamiento.

**ACTIVAR (HERRAMIENTA)** — Producir el movimiento del (de los) componente(s) de la herramienta diseñado(s) para impulsar el sujetador.

**SISTEMA DE ACTIVACIÓN** — El uso de un gatillo, elemento de contacto de trabajo (WCE) y/o otro control de funcionamiento, de modo independiente, en combinación o en secuencia, para activar la herramienta.

**ENTRADA DE AIRE** — La abertura en que se conecta el suministro de aire comprimido, por lo general a través de una conexión roscada.

**SUJETADORES** — Esta clavadora utiliza clavos sin cabeza calibre 18 en tamaños que van de 9,5 mm (3/8 pulg.) a 22,2 mm (7/8 pulg.).

**CARGADOR** — La parte de la clavadora en que se mantienen los sujetadores.

**PRESIÓN DE AIRE MÁXIMA** — La presión máxima de aire comprimido permisible, según lo especificado por el fabricante, para el funcionamiento de la herramienta.

**PUNTA ANTIRRAYONES** — La punta antirrayones está diseñada para eliminar las marcas causadas por el elemento de contacto de trabajo (WCE) (ver Figura 4). La punta antirrayones puede quitarse si no es necesaria (vea DESINSTALACIÓN DE LA PUNTA ANTIRRAYONES) o cuando prefiera un avellanado levemente más profundo. Simplemente deslice la punta antirrayones y quítela del WCE.

**BAR/PSI (LIBRAS POR PULGADA CUADRADA)** — Unidades de medida de la presión ejercida por la fuerza del aire. La salida real en bar/psi se mide con un manómetro en el compresor.

**ACOPLADOR RÁPIDO** — Un acoplador rápido está diseñado para trabajar en combinación con un conector rápido para unir rápida y fácilmente una herramienta neumática con una manguera de aire (Ver Figura 2).

**CONECTOR RÁPIDO** — Un conector rápido está diseñado para trabajar en combinación con un acoplador rápido para unir rápida y fácilmente una herramienta neumática con una manguera de aire (Ver Figura 3).

**REGULADOR** — Un dispositivo usado para controlar la presión del aire que pasa a una herramienta neumática

**PEGAMENTO FIJADOR DE ROSCAS** — Un pegamento para fijar que se aplica a las roscas de los tornillos antes de instalarlos. Evita que los tornillos se aflojen durante el funcionamiento de la herramienta.

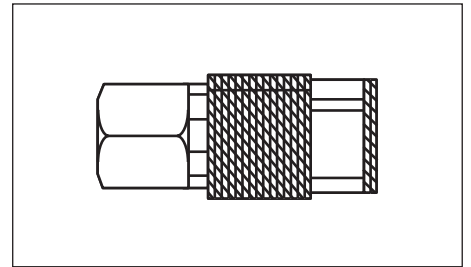


Figura 2 - Acoplador rápido

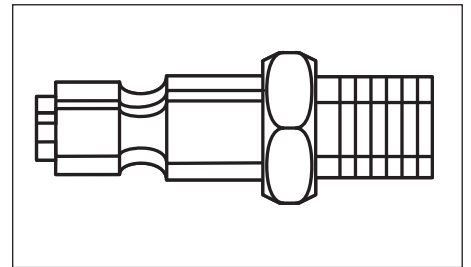


Figura 3 - Conector rápido

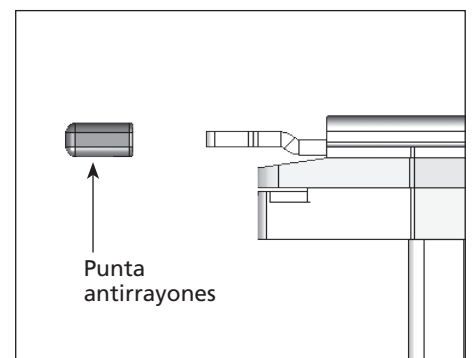


Figura 4

## Conozca su clavadora de clavos sin cabeza como un profesional

### DEFLECTOR AJUSTABLE DEL ORIFICIO DE SALIDA

Esta herramienta está equipada con una característica de deflector ajustable del orificio de salida. Esto permite que el orificio de salida de la herramienta se coloque en cualquier posición que sea conveniente para el usuario. Gire el deflector en la dirección deseada.

### PUNTA ANTIRRAYONES

La herramienta tiene una punta antirrayones. Para utilizar la punta antirrayones, simplemente deslícela sobre el WCE de la herramienta.

### CÓMODO MANGO DE GOMA

La herramienta tiene un cómodo mango de goma. Esto ayuda a mantener un agarre estable y evita el cansancio.

### MECANISMO DE LARGO DE CLAVO AUTOAJUSTABLE

La herramienta está equipada con un práctico mecanismo de largo de clavo autoajutable. Simplemente cargue los clavos sin cabeza deseado en el cargador y deje que la herramienta se ajuste sola.

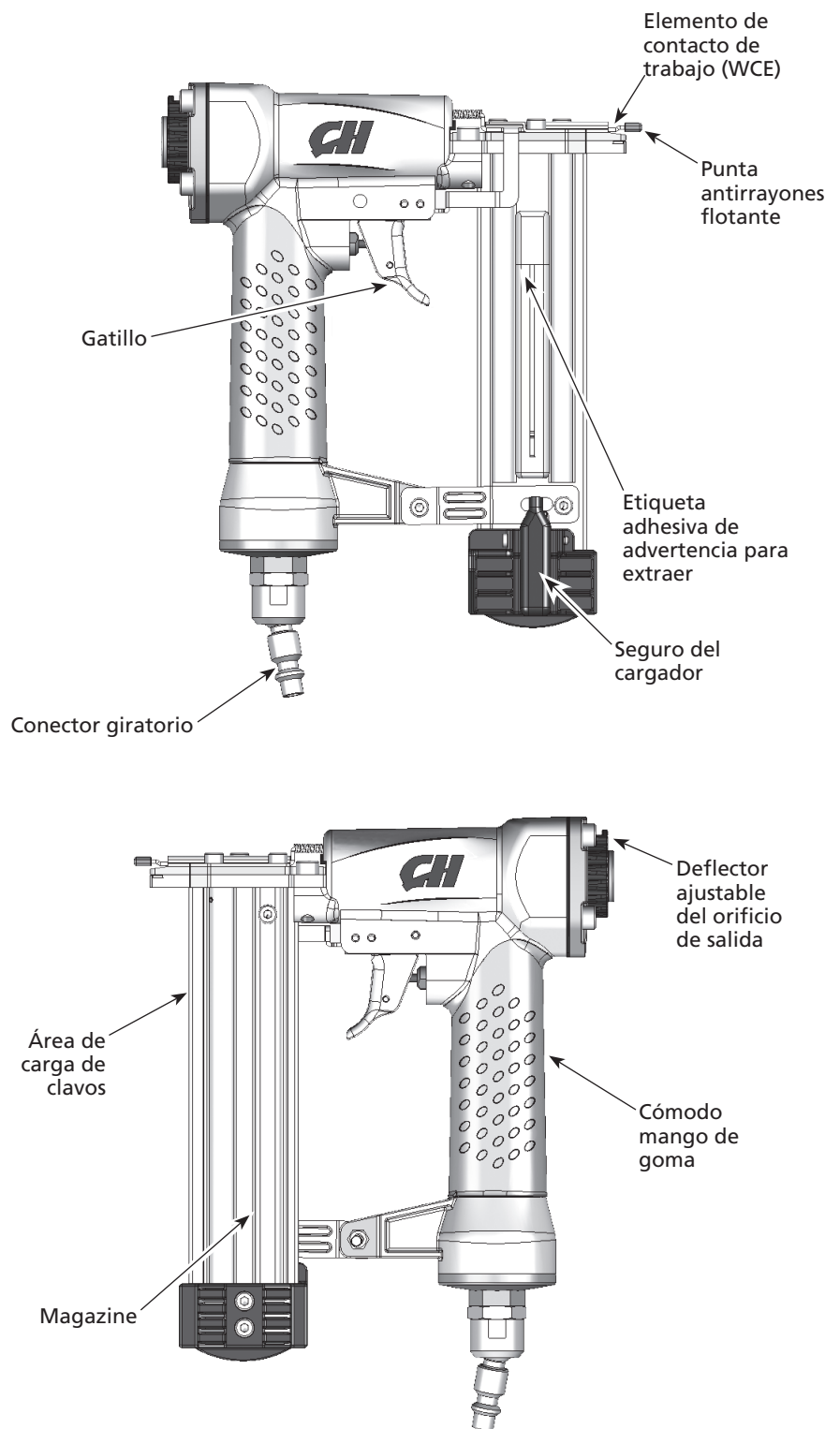


Figura 5 - Componentes de la clavadora de clavos sin cabeza



**Configuración**

**LUBRICACIÓN**

Esta clavadora **NO** requiere lubricación para su funcionamiento normal. Sin embargo, la lubricación **NO** dañará la herramienta.

**AVISO**

*La superficie de trabajo puede dañarse por exceso de lubricación.*

**COMPONENTES MÍNIMOS NECESARIOS PARA LA CONEXIÓN**

**COMPRESOR DE AIRE:** El compresor de aire debe ser capaz de mantener un mínimo de 4,14 bar (60 psi) cuando se usa la clavadora. Un suministro de aire inadecuado puede causar una pérdida de potencia y una colocación desigual de los sujetadores (ver Tabla 1).

**REGULADOR DE PRESIÓN:** Es necesario un regulador de presión para controlar la presión de funcionamiento de la clavadora entre 4,14 bar y 6,90 bar (60 psi y 100 psi).

**MANGUERA DE SUMINISTRO DE AIRE:** Use SIEMPRE mangueras de suministro de aire con una clasificación de presión mínima de funcionamiento igual o mayor que la presión de la fuente de energía, o 10,3 bar (150 psi), lo que sea mayor. Use una manguera de aire de 6,4 mm (1/4 pulg.) para alargues de hasta 15 m (50 pies). Use mangueras de 9,5 mm (3/8 pulg.) para alargues de 15,24 m (50 pies) o mayores (ver Figura 6 y Tabla 2).

**INSTRUCCIONES PARA LA CONEXIÓN DE LA CLAVADORA AL SUMINISTRO DE AIRE**

La Figura 8 muestra la conexión recomendada para la clavadora.

**NOTA:** para un mejor desempeño, instale un conector rápido de 9,5 mm (3/8 pulg.) (roscas de 6,4 mm [1/4 pulg.] NPT) con un diámetro interno de 8 mm (0,315 pulg.) en la clavadora y un acoplador rápido de 9,5 mm (3/8 pulg.) en la manguera de aire.

1. Con el interruptor de accionamiento en la posición de apagado, enchufe el compresor en el tomacorriente.
2. Cierre el regulador de presión girándolo totalmente hacia la izquierda. Encienda el compresor y deje que bombee hasta alcanzar la presión en que se apaga automáticamente.
3. Conecte la manguera de aire a la salida del regulador. Ajuste el regulador de presión girándolo hacia la derecha para que la presión de salida sea entre 4,14 bar y 6,90 bar (60 psi y 100 psi).
4. Cargue los sujetadores en la clavadora (Vea la sección Para cargar y descargar la clavadora en la página 42).
5. Apunte la clavadora hacia una dirección segura mientras coloca la manguera de aire.
6. La clavadora está lista para usar. Puede ser necesario ajustar la presión de salida para lograr una profundidad de sujetador adecuada.

	4,14 bar Min.
	6,90 bar Max.

Tabla 1

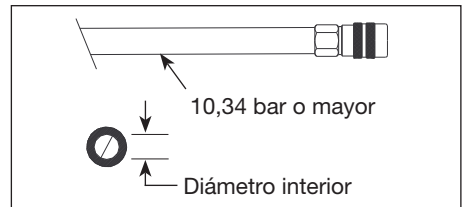


Figure 6 - Requerimientos para la manguera de aire

REQUERIMIENTOS PARA LA MANGUERA DE AIRE	
DIÁMETRO	LARGO DEL RECORRIDO
6,4 mm (1/4 inch)	Menos de 15,24 m (50 pies)
9,5 mm (3/8 inch)	Mayor o igual a 15,24 m (50 pies)

Tabla 2

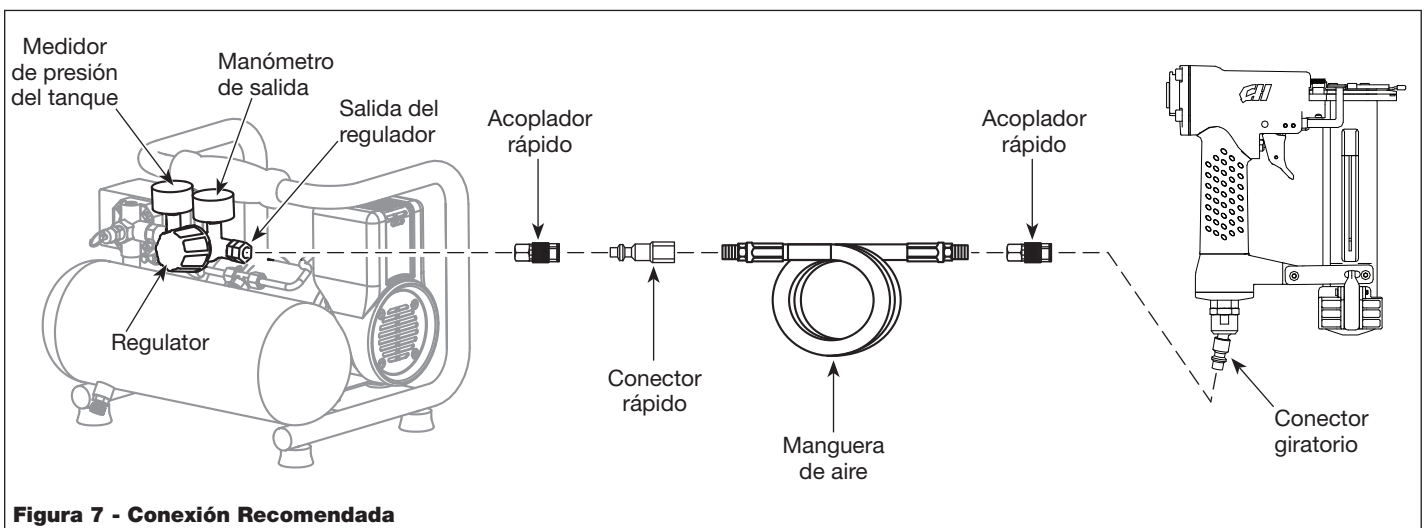


Figura 7 - Conexión Recomendada

## Configuración (Continuación)

### PARA CARGAR Y DESCARGAR LA HERRAMIENTA

Siempre **desconecte** la herramienta del suministro de aire **antes** de cargar o descargar los sujetadores. Elija qué tipo de sujetador desea usar para su proyecto. Puede encontrar sujetadores adicionales en grandes tiendas para el hogar.

#### Para cargar la herramienta

1. Presione el botón del seguro. Tire completamente de la cubierta del cargador.
2. Introduzca una fila de sujetadores en el cargador por debajo de la placa de longitud automática de los clavos. Cuando cargue asegúrese de que los extremos con punta de las puntillas se apoyen sobre el reborde del cargador. Asegúrese de que las puntillas no estén sucias ni dañadas. Las puntillas tienen marcada la dirección de carga.
3. Empuje la tapa del cargador hacia adelante hasta que tranque el seguro.

#### Para descargar la herramienta

1. Presione el botón del seguro. Tire completamente de la cubierta del cargador.
2. Quite los clavos sin cabeza del cargador.
3. Empuje la tapa del cargador hacia adelante hasta que tranque el seguro.
4. Siempre descargue el sujetador antes de remover la herramienta de servicio.  
LA DESCARGA SE HACE SIGUIENDO el proceso inverso de la carga; sin embargo, siempre se tiene que desconectar la manguera de aire antes de descargarla.

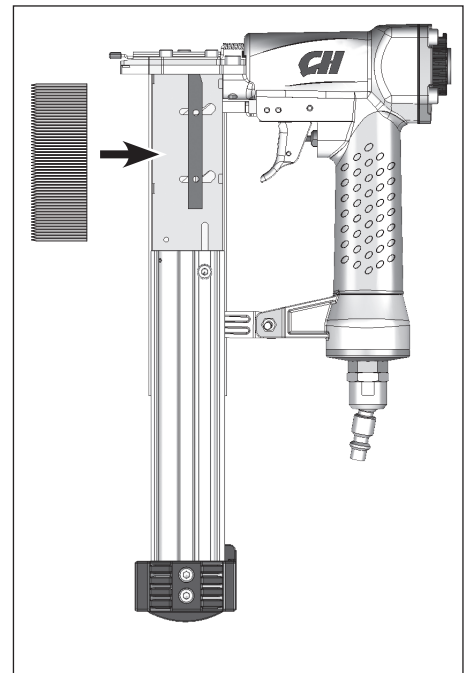


Figura 8 - Cómo cargar la clavadora

### INSTALACIÓN DE LA PUNTA ANTIRRAYONES

1. Desconecte el suministro de aire de la clavadora.
2. Coloque con cuidado la punta antirrayones sobre el extremo del elemento de contacto de trabajo.
3. Verifique que el WCE y el gatillo se muevan libremente hacia arriba y hacia abajo sin adherirse ni trabarse.

### DESINSTALACIÓN DE LA PUNTA ANTIRRAYONES

1. Desconecte el suministro de aire de la clavadora.
2. Haciendo palanca separe la punta antirrayones del elemento de contacto de trabajo.

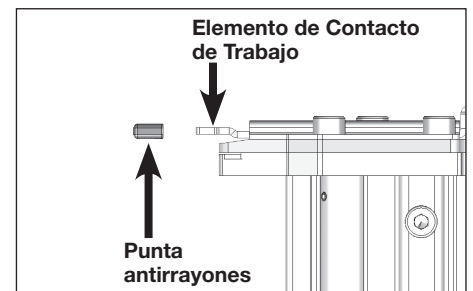


Figura 9 - Punta antirrayones

## Pre-Funcionamiento

### MODOS DE FUNCIONAMIENTO

**⚠ ADVERTENCIA** *Siempre conozca el modo de operación de la clavadora antes de usarla. No saber el modo de operación podría ocasionar la muerte o lesiones graves.*

#### Modo de secuencia

Se recomienda este método cuando se necesite una colocación precisa de los clavos. El funcionamiento en este modo requiere que se tire del gatillo cada vez que se coloca un clavo. La clavadora puede ser activada al presionar el elemento de contacto de trabajo (WCE) contra la superficie de trabajo y tirando luego del gatillo. El gatillo debe soltarse luego de que se coloca cada sujetador para permitir que la herramienta se reajuste.

#### ELEMENTO DE CONTACTO DE TRABAJO (WCE)

**⚠ ADVERTENCIA** *Verifique el funcionamiento del mecanismo de disparo del elemento de contacto de trabajo (WCE) antes de cada uso. El WCE debe moverse libremente sin trancarse en toda su distancia de recorrido. El resorte del WCE debe regresar al WCE a su posición completamente extendida una vez que haya sido presionado. No ponga la clavadora en funcionamiento si el mecanismo de recorrido del WCE no está funcionando de forma adecuada. Pueden ocurrir lesiones personales.*

1. Desconecte el suministro de aire de la clavadora.
2. Asegúrese de que el gatillo y el elemento de contacto de trabajo (WCE) se muevan libremente hacia arriba y hacia abajo sin adherirse ni trabarse.
3. Vuelva a conectar el suministro de aire a la clavadora.
4. Use un trozo de madera de desecho como superficie de trabajo.
5. Presione el WCE contra la superficie de trabajo sin tirar del gatillo (ver Figura 11). La clavadora **NO DEBE FUNCIONAR**. No use la herramienta si funciona sin que tire del gatillo. Pueden ocurrir lesiones personales.
6. Quite la clavadora de la superficie de trabajo. El WCE debe volver a su posición original hacia abajo. Tire del gatillo (ver Figura 12). La clavadora **NO DEBE FUNCIONAR**. No use la herramienta si funciona mientras no está apoyada sobre la superficie de trabajo. Pueden ocurrir lesiones personales.
7. Tire del gatillo y presione el WCE de la superficie de trabajo. La clavadora **NO DEBE FUNCIONAR**.
8. Presione el WCE contra la superficie de trabajo. Tire del gatillo. La clavadora **DEBE FUNCIONAR**.

#### PARA AJUSTAR LA DIRECCION DEL TUBO DE ESCAPE

La herramienta está equipada con un deflector ajustable de la dirección del tubo de escape. Éste le permite al usuario cambiar la dirección del tubo de escape. Simplemente mueva el deflector hacia la dirección deseada (ver Figura 13).

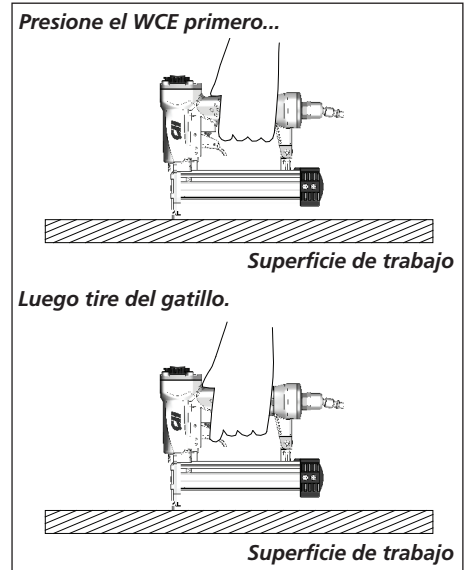


Figura 10 - Modo de secuencia

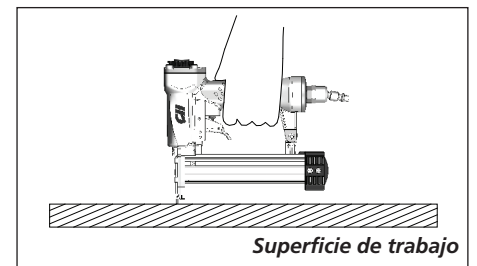


Figura 11

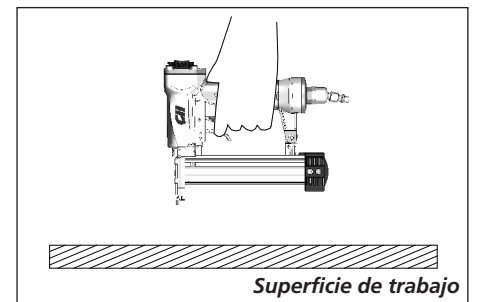


Figura 12

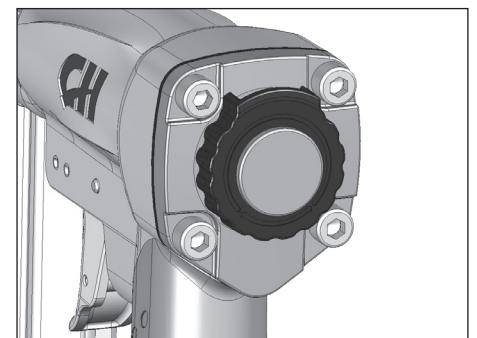


Figura 13 - Orificio de salida ajustable

## Funcionamiento

### DISPARO DE LA CLAVADORA

1. Cargue los sujetadores (ver la sección Para cargar y descargar la clavadora).
2. Conecte el suministro de aire a la clavadora.

**⚠ ADVERTENCIA** *Verifique el funcionamiento del mecanismo de disparo del elemento. Una herramienta que funciona de manera inadecuada no debe usarse. No active la herramienta a menos que esté colocada firmemente contra la pieza de trabajo.*

En modo de secuencia

1. Oprima totalmente el WCE.
2. Apriete el gatillo. Se clavará un sujetador en la pieza de trabajo.

### Almacenamiento

La clavadora debe guardarse en un lugar fresco y seco.

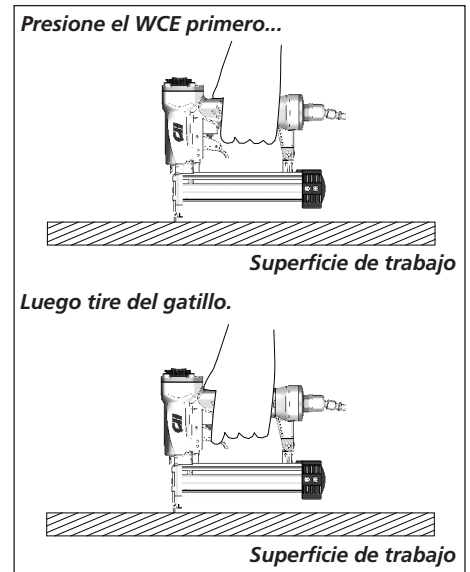


Figura 14

## Mantenimiento

### COMO DESOBRUIR LA CLAVADORA

1. Desconecte la herramienta de la fuente de suministro de aire.
2. Retire todos los clavos del depósito (vea "Carga / Descarga de la Clavadora"). El no hacerlo hará que los clavos se descarguen por el frente de la clavadora.
3. Retire por completo los tres (3) pequeños tornillos de la punta y la placa superior de la punta para ver el sujetador atascado.
4. Con cuidado de no doblar o dañar la hoja de impulsión, use un martillo para desincrustar u otro objeto con punta para hacer palanca y liberar el sujetador atascado.

### REPARACIÓN DE LA CLAVADORA

La herramienta debe ser reparada únicamente por personal calificado, y se deben usar piezas de repuesto y accesorios originales Campbell Hausfeld, o piezas y accesorios que funcionen de manera equivalente.

### PIEZAS DE REPUESTO

**⚠ ADVERTENCIA** *Use únicamente piezas de repuesto Campbell Hausfeld originales. El desempeño de las herramientas, la seguridad y la duración pueden disminuir si no se utilizan las piezas adecuadas. Cuando ordene piezas de repuesto, especifique por el número de la pieza.*

### PROCEDIMIENTO DE ENSAMBLAJE PARA LOS SELLOS

Cuando repare una clavadora, las piezas internas deben limpiarse y lubricarse. Debe usarse lubricante Parker O-lube o un equivalente en todos los anillos en O. Cada anillo en O debe ser cubierto con lubricante antes de ensamblar la herramienta. Debe utilizarse una pequeña cantidad de aceite en todas las superficies móviles y pivotes.

### SERVICIO TÉCNICO

Para obtener información con relación al funcionamiento o reparación de este producto, sírvase llamar al 1-800-543-6400.

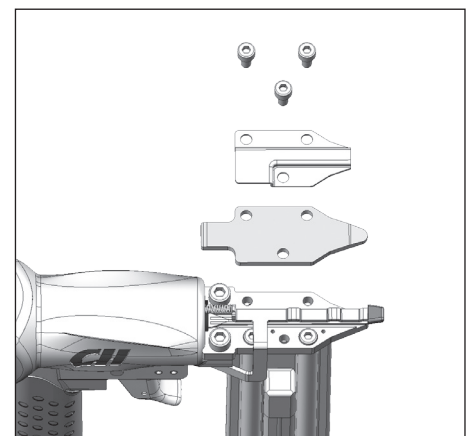


Figura 15

## Mantenimiento (Continuación)

### INFORMACIÓN DE INTERCAMBIO DE SUJETADORES

Puede usar puntillas de 9,5 mm a 22,2 mm (3/8 pulg. a 7/8 pulg.):

- Senco FP10
- Air Locker P630
- Porter Cable PIN100
- Grex P635
- Max NF235A

### Guía de resolución de problemas

**⚠ ADVERTENCIA** *Deje de usar la clavadora inmediatamente si alguno de los siguientes problemas ocurre. Podría resultar en heridas graves. Cualquier reparación o reemplazo de piezas los debe hacer un técnico calificado personal de un centro autorizado de servicio.*

PROBLEMA	CAUSA	SOLUCIÓN
Hay una fuga de aire en el área de la válvula del gatillo.	Los anillos en O de la cubierta de la válvula del gatillo están dañados.	Debe reemplazar los anillos en O
Hay una fuga de aire entre la cubierta y la boquilla.	1. Los anillos en O están dañados. 2. La defensa está dañada.	1. Debe reemplazar los anillos en O. 2. Debe reemplazar la defensa.
Hay una fuga de aire entre la cubierta y la tapa.	1. Los tornillos están flojos. 2. Sello dañado	1. Debe apretar los tornillos. 2. Reemplace el sello
La herramienta no coloca un sujetador	1. La defensa está desgastada. 2. La boquilla está sucia. 3. La suciedad o los daños evitan que los sujetadores o el mecanismo de impulso se muevan libremente en el cargador 4. El resorte del mecanismo de impulso está dañado. 5. Flujo de aire a la herramienta inadecuado 6. El anillo en O del pistón está desgastado o le falta lubricación. 7. Los anillos en O de la válvula del gatillo están dañados. 8. Hay fugas de aire. 9. Goteo del sello de la tapa 10. Defecto en la placa de longitud automática de los clavos	1. Debe reemplazar la defensa. 2. Debe limpiar el canal del sistema de impulso. 3. Debe limpiar el cargador. 4. Debe reemplazar el resorte. 5. Chequee las conexiones, la manguera o el compresor. 6. Debe reemplazar los anillos en O. Lubríquelos. 7. Debe reemplazar los anillos en O. 8. Debe apretar los tornillos y las conexiones. 9. Reemplace el sello 10. Solucione el problema de la placa
La herramienta funciona lento o pierde potencia	1. La herramienta no está lo suficientemente lubricada 2. El resorte de la tapa del cilindro está roto 3. El orificio de salida de la tapa está obstruido.	1. Necesita lubricar la clavadora 2. Reemplace el resorte 3. Debe reemplazar las partes internas dañadas.
Los sujetadores están atascados en la herramienta	1. La guía del mecanismo de impulso está desgastada 2. Los sujetadores no son del tamaño correcto 3. Los sujetadores están doblados 4. Los tornillos del cargador o de la boquilla están flojos. 5. El mecanismo de impulso está dañado.	1. Debe reemplazar la guía 2. Solo use sujetadores recomendados 3. Reemplace con sujetadores en buen estado 4. Debe apretar los tornillos. 5. Debe reemplazar el mecanismo de impulso de grapas.

## Para Ordenar Repuestos o Asistencia Técnica, Sírvese Llamar al Distribuidor Más Cercano a Su Domicilio

Sírvese proporcionar la siguiente información:

- Número de modelo
- Número de serie (si tiene)
- Descripción y número de la pieza como se muestra en la lista de repuestos

Dirija toda la correspondencia a:

Campbell Hausfeld  
Attn: Customer Service  
100 Production Drive  
Harrison, OH 45030 U.S.A.

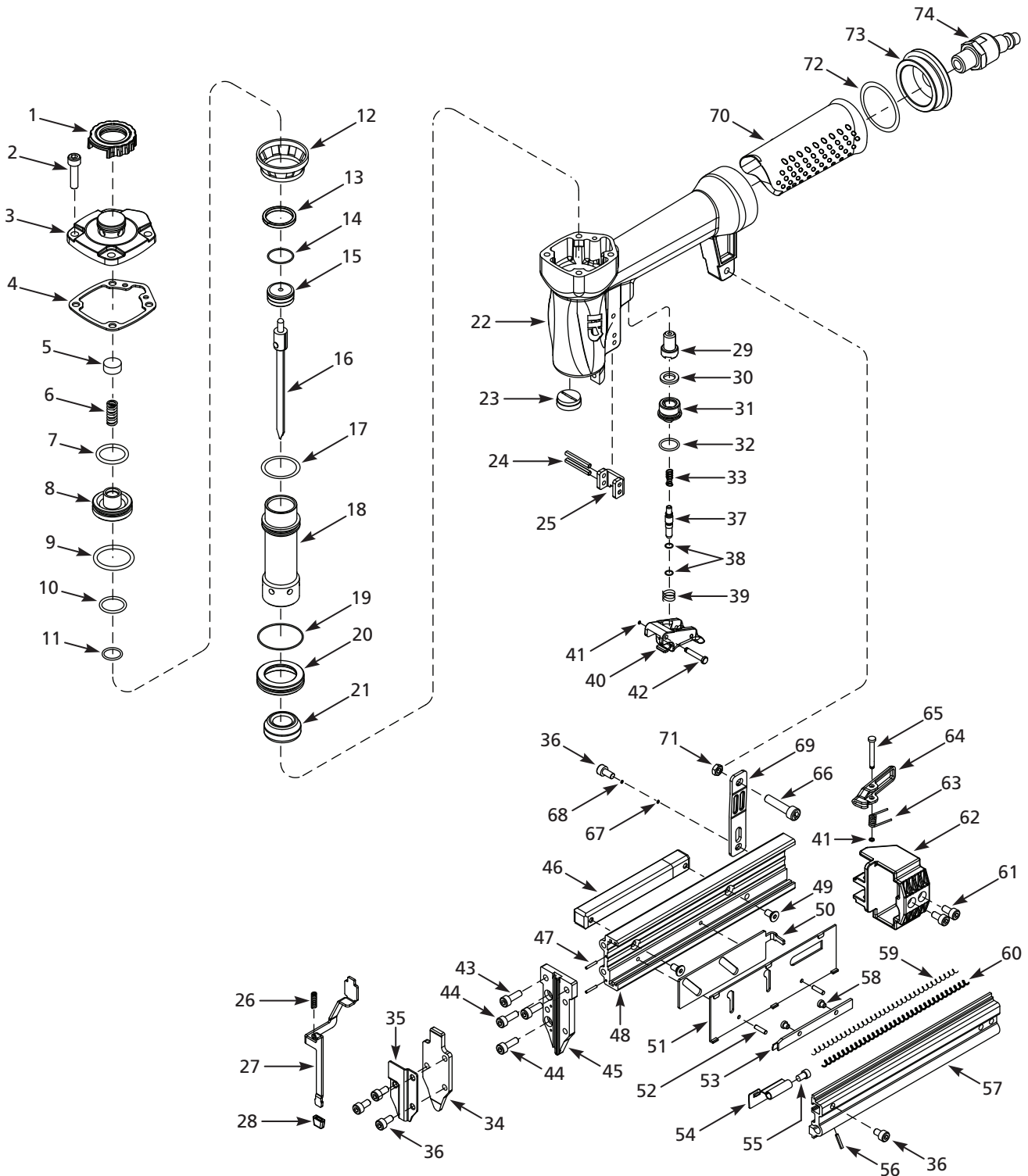


Figura 16 - Ilustración de las piezas de repuesto para la clavadora de clavos sin cabeza neumática, modelo CHN71500AV



## Lista de piezas de repuesto para la clavadora para acabado

No. de Ref.	Descripción	Número de Repuesto	Ctd.	No. de Ref.	Descripción	Número de Repuesto	Ctd.
1	Desviador de la salida	—	1	51	Placa del cargador	—	1
2	Tornillo de cabeza tubular - M4 x 16	*	4	52	Pasador de resorte	—	2
3	Tapa del cilindro	—	1	53	Ensamble del limitador	—	1
4	Empaque	■	1	54	Impulsor	—	1
5	Sello de salida	■	1	55	Asiento del impulsor	—	1
6	Resorte	■	1	56	Pasador de resorte	*	1
7	Anillo en O	■	1	57	Puerta del cargador	—	1
8	Válvula del cabezal	—	1	58	Clavos con reborde	—	2
9	Anillo en O	■	1	59	Resorte de empuje	■	1
10	Anillo en O	■	1	60	Resorte	■	1
11	Anillo en O	■	1	61	Tornillo de cabeza tubular - M4 x 10	*	2
12	Collar	—	1	62	Tapa del extremo del cargador	—	1
13	Aro del pistón	▲	1	63	Resorte de la tapa del cargador	■	1
14	Anillo en O	▲	1	64	Seguro de pulgar del cargador	—	1
15	Pistón	▲	1	65	Pasador	—	1
16	Álabe del impulsor	▲	1	66	Tornillo de cabeza tubular - M4 x 18	*	1
17	Anillo en O	■	1	67	Arandela	—	1
18	Cilindro	—	1	68	Arandela	—	1
19	Anillo en O	■	1	69	Soporte del cargador	—	1
20	Placa limitadora	—	1	70	Mango	—	1
21	Defensa	■	1	71	Tuerca - M4	*	1
22	Cuerpo	—	1	72	Anillo en O	■	1
23	Boquilla	■	1	73	Tapa inferior de la entrada	—	1
24	Pasador de resorte	■	2	74	Tapón giratorio I/M (macho) de 6,4 mm (¼ pulg.) - 18	SV567600AV	1
25	Soporte del elemento de contacto de trabajo	—	1	<b>JUEGOS DE REPUESTOS</b>			
26	Resorte del elemento de contacto de trabajo	■	1	▲	Ensamble de la paleta de impulsión	SKN19900AV	
27	Elemento de contacto	—	1	■	Juego completo de reconstrucción	SKN23900AV	
28	Boquilla que no deja marcas	■	1	—	No disponible		
29	Culata de la válvula del gatillo	—	1	*	Artículo estándar de ferretería - disponible en su ferretería local		
30	Sello de la válvula	■	1				
31	Válvula del gatillo	—	1				
32	Anillo en O	■	1				
33	Resorte del vástago de la válvula del gatillo	■	1				
34	Guía de impulsión superior	—	1				
35	Tapa de la guía de impulsión	—	1				
36	Tornillo de cabeza tubular - M4 x 8	*	5				
37	Vástago de la válvula del gatillo	—	1				
38	Anillo en O	■	2				
39	Resorte del gatillo	■	1				
40	Ensamblaje del gatillo	—	1				
41	Anillo en O de retención	—	2				
42	Pasador	—	1				
43	Tornillo de cabeza tubular - M4 x 14	*	2				
44	Tornillo de cabeza tubular - M4 x 14	*	2				
45	Guía de impulsión inferior	—	1				
46	Etiqueta adhesiva de retroceso en caja	—	1				
47	Clavo sin cabeza recto	—	2				
48	Cargador	—	1				
49	Tornillo - M4 x 10	*	2				
50	Placa lateral del cargador	—	1				

**Recordatorio:** ¡Guarde su comprobante de compra con fecha para fines de la garantía! Adjúntela a este manual o archívela en lugar seguro.

## Garantía Limitada

1. DURACION: A partir de la fecha de compra por el comprador original tal como se especifica a continuación: Un (1) año.
2. QUIEN OTORGA ESTA GARANTIA (EL GARANTE: Campbell Hausfeld / The Scott Fetzer Company 100 Production Drive, Harrison, Ohio 45030 Teléfono: (800) 543-6400
3. QUIEN RECIBE ESTA GARANTIA (EL COMPRADOR): El comprador original (que no sea un revendedor) del producto Campbell Hausfeld.
4. PRODUCTOS CUBIERTOS POR ESTA GARANTIA: Esta clavadora o grapadora Campbell Hausfeld.
5. COBERTURA DE LA GARANTIA: Defectos importantes en los materiales y la mano de obra que ocurran durante la duración del período de garantía con las excepciones que se mencionan a continuación.
6. LO QUE NO ESTA CUBIERTO POR ESTA GARANTIA:
  - A. Las garantías implícitas, incluyendo aquellas de comercialidad E IDONEIDAD PARA FINES PARTICULARES, ESTAN LIMITADOS A LO ESPECIFICADO EN EL PARRAFO DE DURACION. Si este producto es empleado para uso comercial, industrial o para renta, la garantía será aplicable por noventa (90) días a partir de la fecha de compra. En algunos estados no se permiten limitaciones a la duración de las garantías implícitas, por lo tanto, en tales casos esta limitación no es aplicable.
  - B. CUALQUIER PERDIDA DAÑO INCIDENTAL, INDIRECTO O CONSECUENTE QUE PUEDA RESULTAR DE UN DEFECTO, FALLA O MALFUNCIONAMIENTO DEL PRODUCTO CAMPBELL HAUSFELD. En algunos estados no se permite la exclusión o limitación de daños incidentales o consecuentes, por lo tanto, en tales casos esta limitación o exclusión no es aplicable.
  - C. Cualquier falla que resulte de un accidente, abuso, negligencia o incumplimiento de las instrucciones de funcionamiento y uso indicadas en el (los) manual(es) que se adjunta(n) al producto. Dichos accidentes, abusos por parte del comprador, o falta de operar el producto siguiendo las instrucciones del manual de instrucciones suministrado también debe incluir la desconexión o modificación de los instrumentos de seguridad. Si dichos instrumentos de seguridad son desconectados, la garantía quedaría cancelada.
  - D. Los ajustes normales explicados en el(los) manual(es) suministrado(s) con el producto.
  - E. Los artículos o servicios que son necesarios normalmente para mantener el producto, p. ej. anillos en O, resortes, paragolpes, protector contra escombros, hojas de impulsión, juntas, empaquetaduras o sellos, lubricantes o cualquier otra pieza fungible o no mencionada específicamente. Estos artículos solamente estarán cubiertos durante 90 (noventa) días a partir de la fecha de compra original. Los artículos subrayados están garantizados por defectos en el material y la mano de obra únicamente.
7. RESPONSABILIDADES DEL GARANTE BAJO ESTA GARANTIA:

Según elija el Garante, la reparación o el reemplazo del producto o los componentes que estén defectuosos, que hayan funcionado en forma inadecuada y/o que no hayan cumplido con su función dentro de la duración del período específico de la garantía.
8. RESPONSABILIDADES DEL COMPRADOR BAJO ESTA GARANTIA:
  - A. Suministrar prueba fechada de compra y la historia de mantenimiento del producto.
  - B. Llame a Campbell Hausfeld (800) 543-6400 por sus opciones de servicio incluidas en la garantía. Los costos de flete correrán por cuenta del comprador.
  - C. Seguir las instrucciones sobre operación y mantenimiento del producto, tal como se indica(n) en el (los) manual(es) del propietario.
9. CUANDO EFECTUARA EL GARANTE LA REPARACION O REEMPLAZO CUBIERTO BAJO ESTA GARANTIA: La reparación o reemplazo dependerá del flujo normal de trabajo del centro de servicio y de la disponibilidad de repuestos.

Esta garantía limitada es válida sólo en los EE.UU., Canadá y México y otorga derechos legales específicos. Usted también puede tener otros derechos que varían de un Estado a otro. o de un país a otro.