

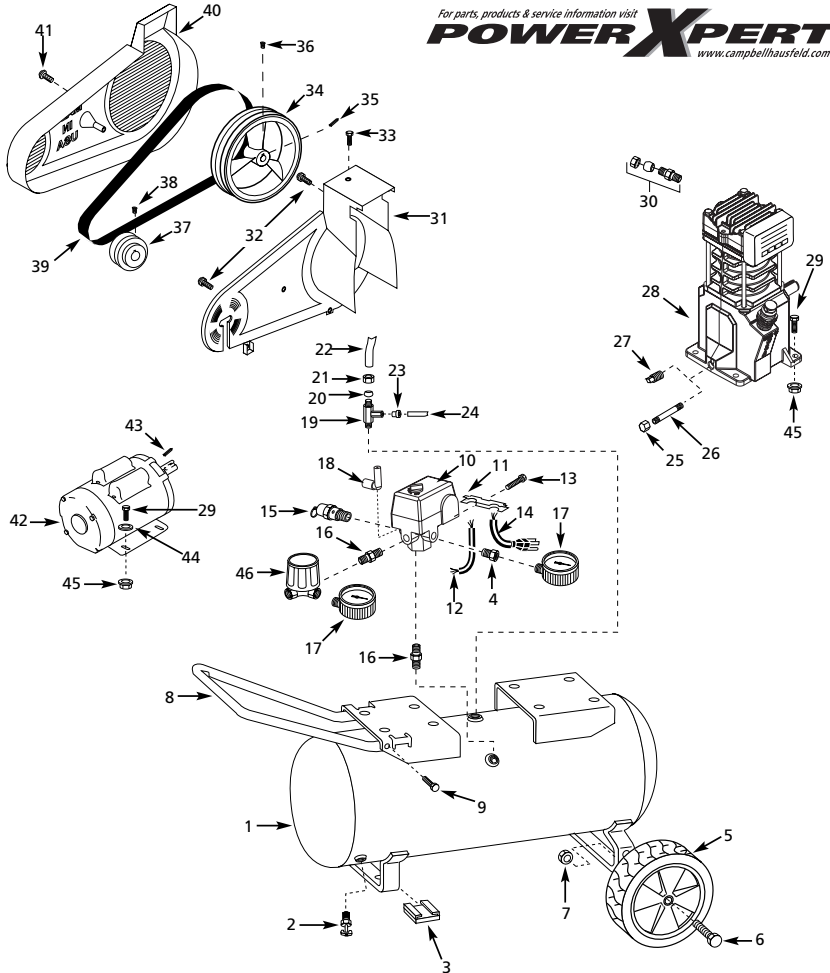


Portable Air Compressors Compresseurs D'Air Portatifs Compressores de Aire Portátiles

Replacement Parts List
Liste De Pièces De Rechange
Lista de Repuestos

VS500102, VS500202, VS500302, VS500502, VS500602,
VS501000, VS501100, VS501200 & VS623102

For parts, products & service information visit
POWER XPERT
www.campbellhausfeld.com



**VS500102, VS500202, VS500302, VS500502, VS500602,
VS501000, VS501100, VS501200 & VS623102**

Replacement Parts List

For Replacement Parts, Call 1-800-543-6400

Please provide following information:

- Model number
- Serial number (if any)
- Part description and number as shown in parts list

Address parts correspondence to:

The Campbell Group
Attn: Parts Department
100 Production Drive
Harrison, OH 45030 U.S.A.

Ref. No.	Description	Part Number For Models:				Qty
		VS623102 VS500602 VS500202 VS501200	VS500102 VS500302	VS501100 VS500502	VS501000	
1	Tank	AR044800BR	AR044600BR	AR044700BR	AR044700BR	1
2	Drain cock	D-1401	D-1401	D-1401	D-1401	1
3	Foot	ST041600AV	ST041600AV	ST041600AV	ST041600AV	2
4	3/4" x 1/2" Reducer	ST071407AV	ST071407AV	ST071407AV	ST071407AV	1
5	8" Wheel	WA003900AV	WA003900AV	WA003900AV	WA003900AV	2
6	Axle bolt	ST033400AV	ST033400AV	ST033400AV	ST033400AV	2
7	Hex keys nut	ST033500AV	ST033500AV	ST033500AV	ST033500AV	2
8	Handle	HL001800BH	HL001800BH	HL001800BH	HL001800BH	1
9	Handle screw	ST073236AV	ST073236AV	ST073236AV	ST073236AV	1
10	Pressure switch	CW208700AJ	CW208700AJ	CW208700AJ	CW208700AJ	1
11	Strain relief	CW209500AV	CW209500AV	CW209500AV	CW209500AV	1
12	Motor cord	EC012800AV	EC012800AV	EC012800AV	EC012800AV	1
13	Strain relief screw	ST209800AV	ST209800AV	ST209800AV	ST209800AV	1
14	Power cord	EC012601AV	EC012601AV	EC012601AV	EC012601AV	1
15	ASME Safety valve	V-215100AV	V-215100AV	V-215100AV	V-215100AV	1
16	1/2" Nipple	HF002401AV	HF002401AV	HF002401AV	HF002401AV	2
17	Gauge	GA016300AV	GA016300AV	GA016300AV	GA016300AV	2
18	Unloader	CW210000AV	CW210000AV	CW210000AV	CW210000AV	1
19	Check valve	CV221502AJ	CV221502AJ	CV221502AJ	CV221502AJ	1
20	Ferrule	ST067300AV	ST067300AV	ST067300AV	ST067300AV	1
21	Compression nut	ST033001AV	ST033001AV	ST033001AV	ST033001AV	1
22	Discharge tube	VS020600AP	VS020700AP	VS020700AP	VS020700AP	1
23	Push-in fitting	ST081301AV	ST081301AV	ST081301AV	ST081301AV	1
24	Unloader tube	ST117801AV	ST117801AV	ST117801AV	ST117801AV	1
25	Oil drain cap (VS5010 and VS5012 only)	ST149500AV	—	—	ST149500AV	1
26	Oil drain extension (VS5010 and VS5012 only)	ST070350AV	—	—	ST070350AV	1
27	3/4" - 18 Oil drain plug	ST072915AV	ST072915AV	ST072915AV	ST072915AV	1
28	Pump	VS260000KB	VS260000KB	VS260000KB	VS260000KB	1
29	3/8" - 18 x 3/8" Hex head screw	ST016000AV	ST016000AV	ST016000AV	ST016000AV	8
30	Compression connector assembly	ST018300AV	ST018300AV	ST018300AV	ST018300AV	1
31	Belt guard (back)	BG217902AV	BG217902AV	BG217902AV	BG217902AV	1
32	#10-24 x 3/8" Self tapping screw	ST042400AV	ST042400AV	ST042400AV	ST042400AV	3
33	5mm x 25mm Self-tapping screw	ST073269AV	ST073269AV	ST073269AV	ST073269AV	1
34	Flywheel	PU004900BK	PU004900BK	PU004900BK	PU004900BK	1
35	3/8" Key	KE000900AV	KE000900AV	KE000900AV	KE000900AV	1
36	3/8" - 16 x 3/8" Setscrew	ST026200AV	ST026200AV	ST026200AV	ST026200AV	1
37	Pulley	PU012700AG	PU012700AG	PU012700AG	PU012700AG	1
	Pulley (VS500602)	PU012600AG	—	—	—	1
38	3/8" - 20 x 1/2" Setscrew	ST012200AV	ST012200AV	ST012200AV	ST012200AV	1
39	Belt	BT002800AV	BT002800AV	BT002800AV	BT002800AV	1
40	Belt guard (front)	BG217800AV	BG217800AV	BG217800AV	BG217800AV	1
41	Plascrew	ST058502AV	ST058502AV	ST058502AV	ST058502AV	1
42	Electric Motor	MC015500AJ	MC015500AJ	MC015500AJ	MC017200AJ	1
	Electric Motor (VS500602, VS501200)	MC018000AJ	—	—	—	1
	Electric Motor (VS623102)	MC017200AJ	—	—	—	1
43	3/8" sq. x 1 1/2" Key	KE000903AV	KE000903AV	KE000903AV	KE000903AV	1
44	3/8" Washer	ST011200AV	ST011200AV	ST011200AV	ST011200AV	4
45	3/8" - 18 Locknut	ST146000AV	ST146000AV	ST146000AV	ST146000AV	8
46	Regulator	RE206203AV	RE206203AV	RE206203AV	RE206203AV	1
47	Warning Decal 3 Piece (Not Shown)	DK630000AV	DK630000AV	DK630000AV	DK630000AV	1

www.chpower.com