

Please read and save these instructions. Read carefully before attempting to assemble, install, operate or maintain the product described. Protect yourself and others by observing all safety information. Failure to comply with instructions could result in personal injury and/or property damage! Retain instructions for future reference.

Speedaire® Paint Tank

Description

Speedaire paint tank is designed for large volume projects using spray guns, paint rollers and other application equipment. The tank is capable of holding 2.5 gallons of bulk paint or a 1 gallon can of paint may be placed directly inside the tank.

Basic construction of the unit consists of a heavy deep drawn one piece stainless steel tank, die cast aluminum tank lid, eyebolt clamps, and a plastic protective sleeve. The unit is equipped with a pressure regulator, gauge, safety relief valve, and air line connectors. A convenient carrying handle allows attachment of the unit to the rung of a ladder or scaffolding to facilitate elevated painting operations.

Safety Guidelines

This manual contains information that is very important to know and understand. This information is provided for SAFETY and to PREVENT EQUIPMENT PROBLEMS. To help recognize this information, observe the following symbols.

⚠ DANGER Danger indicates an imminently hazardous situation which, if not avoided, WILL result in death or serious injury.

⚠ WARNING Warning indicates a potentially hazardous situation which, if not avoided, COULD result in death or serious injury.

⚠ CAUTION Caution indicates a potentially hazardous situation which, if not avoided, MAY result in minor or moderate injury.

NOTICE Notice indicates important information, that if not followed, may cause damage to equipment.

Unpacking

After unpacking the unit, inspect carefully for any damage that may have occurred during transit. Tighten fittings, bolts, etc., before putting unit into service.

Specifications

Capacity	Tank Dimensions	Overall Dimensions	Weight (Empty)	Maximum Working Pressure
1 Gallon can or 2.5 Gallon bulk	8.25 inch Dia. x 11.5 inch H	10 inch x 10 inch x 14 inch	10 lbs.	50 psi

⚠ WARNING Do not operate unit if damaged during shipping, handling or use. Damage may result in bursting and cause injury or property damage.

General Safety Information CALIFORNIA PROPOSITION 65

⚠ WARNING You can create dust when you cut, sand, drill or grind materials such as wood, paint, metal, concrete, cement, or other masonry. This dust often contains chemicals known to cause cancer, birth defects, or other reproductive harm. Wear protective gear.



⚠ WARNING This product or its power cord may contain chemicals known to the State of California to cause cancer and birth defects or other reproductive harm. Wash hands after handling.

GENERAL SAFETY INFORMATION

Since the paint tank and other components used, (air compressor, material pump, spray guns, filters, lubricators, hoses, etc.) make up a high pressure pumping system, the following safety precautions must be observed at all times:

1. Read all manuals included with this product carefully. Be thoroughly familiar with the controls and the proper use of the equipment.
2. Follow all local electrical and safety codes, as well as in the United States, the National Electrical Code (NEC) and the Occupational Safety and Health Act (OSHA).
3. Do not pressurize tank over 50 psi.
4. Do not exceed the pressure rating of any component in the system.
5. Be certain that pressure regulator and safety valve are clean and in proper working order before using the paint tank.
6. Be certain that the air supply line is at zero psi and pressure regulator is turned off before connecting tank to air supply.
7. Make sure all feed line, eyebolts and spray guns are secure before turning air supply on.
8. Release all pressure within the system before attempting to service any component.
9. Protect material lines and air lines from damage or puncture.



Speedaire® Paint Tank

ENGLISH

General Safety Information (Continued)

10. Never point a spray gun at yourself or at any other person. Accidental discharge may result in serious injury.
11. Check hoses for weak or worn condition before each use, making certain that all connections are secure.
12. Always shut off air pressure at source and bleed off all pressure in paint tank by gently pulling safety valve ring before loosening knobs.
13. Regularly check to be sure gauge and regulator are functioning correctly. Also check that no paint or other deposits are in the safety valve inlet. In the event more than 50 psi is applied to the tank and the safety valve is clogged, the higher pressure could damage the tank or result in injury.

⚠ WARNING Do not spray flammable materials in vicinity of open flame or near ignition sources including the compressor unit.



14. Do not smoke when spraying paint, insecticides, or other flammable substances.
15. Use a face mask/respirator when spraying and spray in a well ventilated area to prevent health and fire hazards.
16. Do not direct paint or other sprayed material at the compressor. Locate compressor as far away from the spraying area as possible to minimize overspray accumulation on the compressor.
17. When spraying or cleaning with solvents or toxic chemicals, follow the instructions provided by the chemical manufacturer.



⚠ DANGER Failure to follow instructions on proper assembly and use of a paint tank may possibly result in damage to property or personal injury. This unit must be assembled as indicated in these instructions. Only parts supplied with this unit should be used. These parts are safety performance engineered. Use only OEM replacement components.

Assembly

NOTE: Use PTFE thread sealant tape or thread sealant on all connections.

1. Assemble the regulator to the paint tank lid as shown in Figure 1:

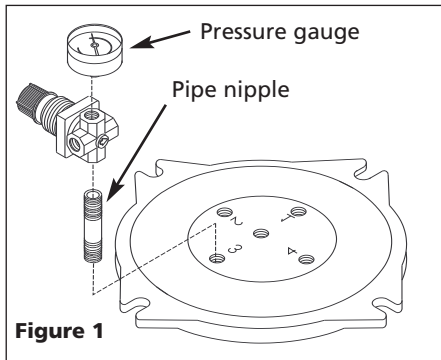


Figure 1

- a. With arrow pointed down and knob toward you, place the gauge in the left 1/8 NPT regulator port.
- b. Assemble the 1/8 plug into opposite 1/8 NPT regulator port.
- c. Thread the 1/4 T-fitting into the top 1/4 in. regulator port.
- d. Thread 1/4 in. pipe nipple into bottom 1/4 in. regulator port (with arrow).
- e. Thread this assembly into the #3 1/4 NPT port on tank lid.

NOTE: This regulator is a special pressure limiting regulator. Do not use any other type of regulator with this paint tank. Assemble the regulator to the paint tank only as instructed.

2. Assemble the safety relief valve to the tank lid port #4.

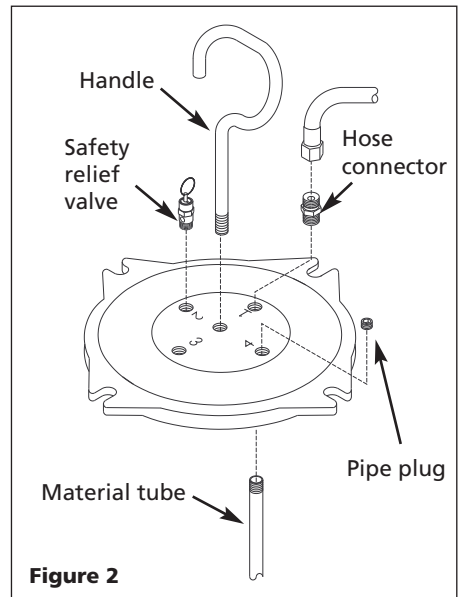


Figure 2

3. Install the pipe plug into the 1/8 NPT port #2 of the tank lid.
4. Thread the handle into the center port of the tank lid.
5. Install hose connector in tank lid port #1 from the top.
6. The material tube is pre-assembled to port #1.
7. To assemble tank bracket with knob assembly:
 - a. Lay out tank bracket to form circle (4 sections).
 - b. Insert eyebolt between each section, slip hex bolt through holes and loosely screw on stop nuts.
 - c. Flip tank upside down and slip bolted bracket assembly around tank.
 - d. Slide bracket down to rim and tighten all nuts.

Model 6Z899B

Assembly (Continued)

EQUIPMENT USE

TO USE A SPRAY GUN

1. Attach the air supply hose (not Included) to the 1/4 NPT T F

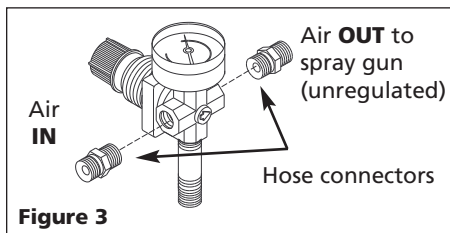


Figure 3

2. Attach an air hose between the opposite side of the T Fitting and the spray gun air inlet.

NOTE: A 15 foot air hose and 15 foot material hose between the paint tank and spray gun is recommended. Up to 25 feet of air hose may be used between the paint tank and the compressor. A longer length may create a large pressure drop.

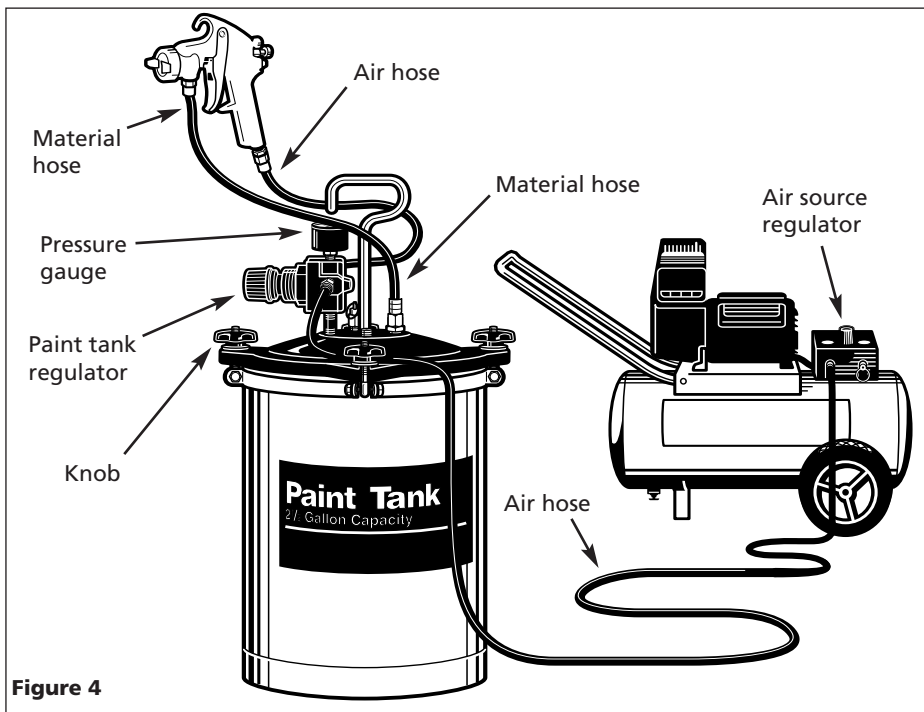


Figure 4

3. Attach a material hose between the paint tank connection and the spray gun material inlet.

Operation

1. Before using the tank for the first time, the seal and bracket position should be established by pre-pressurizing the tank.
 - a. Connect the material hose to the spray gun.
 - b. Connect the air hose from regulator to the spray gun or cap.
 - c. Before filling the tank with paint material, evenly tighten the knobs so that the lid is secure and sealed.
 - d. Close the paint tank regulator by turning fully counterclockwise, then open the air regulator on the source to deliver air to the paint tank regulator.

- e. Increase paint tank pressure by turning the knob clockwise until 30 psi reads on the tank regulator gauge.

- f. Check for leaks in the system. If a fitting leaks, depressurize the tank by shutting off the air at the air source regulator and gently pulling the ring on the paint tank safety valve until air no longer hisses from it. Tighten the leaking fitting, then open the air source regulator to deliver 30 psi into the paint tank and material hose.
- g. Depressurize system by shutting off air supply, then gently pull the relief valve ring to relieve the pressure in the system.

2. The tank may now be filled with material. Before filling, thoroughly mix and strain the paint to remove skins or undissolved particles which might otherwise impede the flow of material through the hose and gun. A one gallon can of paint can be set inside the tank instead of pouring the paint into the tank.

CAUTION *Never use this paint tank with materials which contain trichloroethane, chlorinated hydrocarbons, nitrohydrocarbons, esters, amines, or organic compounds. These materials will damage the gasket between the paint tank and lid. A damaged gasket may cause injury and will reduce the efficiency of the paint tank.*

3. Place lid on paint tank then tighten knobs evenly and gradually.

DO NOT USE WRENCH OR PLIERS TO TIGHTEN KNOBS. HAND TIGHTEN ONLY (50 IN.LBS.)

4. Turn pressure off at the air source regulator by turning counterclockwise. Pressure gauge should read 0 psi.
5. Shut off paint tank regulator by running counterclockwise.

ENGLISH

Speedaire® Paint Tank

E
N
G
L
I
S
H

Operation (continued)

SPRAY GUN OPERATION

1. Adjust air source regulator pressure required for spraying (usually between 50 psi - 70 psi).
2. Adjust paint tank regulator to 25 psi - 30 psi. More pressure is needed on the material as the gun is moved further above the tank. Normal operating on the paint tank is 25 psi to 30 psi. When lower pressure is needed, rotate the adjustment counterclockwise until the desired pressure setting is obtained. There is no need to trigger the gun in order to bleed off excess paint pressure.

CAUTION *Do not use over 50 psi in the tank.*

The sprayer may now be used to apply paint.

Maintenance

CAUTION *Always shut off air pressure at source and bleed off all pressure in paint tank by gently pulling safety valve ring before loosening knobs to remove lid.*



CLEANING

IMPORTANT: It is very important that the tank material hose and spray gun be cleaned as soon as the spray job is completed.

1. Shut off air tank at air pressure regulator by turning adjusting screw counterclockwise.
2. Gently pull safety valve ring to purge air from tank.
3. Completely cover spray gun nozzle with a soft rag and with air lines pressurized, pull trigger of the gun. This will force paint remaining in the material hose back into the tank.
4. Remove tank lid and pour any remaining paint back into original containers for future use.
5. Using a clean, dry cloth, wipe inside area of tank clean.

CAUTION *Never use this paint tank with materials which contain trichloroethane, chlorinated hydrocarbons, nitrohydrocarbons, esters, amines, or organic compounds. These materials will damage the gasket between the paint tank and lid. A damaged gasket may cause injury and will reduce the efficiency of the paint tank.*

6. Pour about 1/2 gallon of paint solvent into the tank. Use the correct type of solvent for the paint being used: mineral spirits for oil base paint, lacquer thinner for lacquer base paints, warm soap water for Latex, etc.
7. Clamp lid onto tank and proceed to spray the proper solvent through spray gun and hose.
8. Following steps 1 through 9 in this section, remove all thinner from hose.
9. Clean lip of tank groove of paint tank lid and gasket.

CLEANING THE SAFETY VALVE

Remove the safety valve and clean port (orifice) periodically. Accumulations of paint in the port can prevent proper valve action. Do not disassemble valve or change settings.

CAUTION *This component has been factory calibrated and sealed. Do not attempt to disassemble safety valve or alter calibration.*

ROUTINE

Periodically inspect the tank for leaks around the paint tank lid. If leakage occurs, remove the paint tank lid and clean lip of tank and groove in tank lid. Replace gasket.

Model 6Z899B

Troubleshooting Chart

Symptom	Possible Cause(s)	Corrective Action
No material coming from tank	<ol style="list-style-type: none">1. Plugged hoses or material tube2. Damaged regulator diaphragm3. Incorrect hose connections	<ol style="list-style-type: none">1. Check hoses and material tube2. Check regulator for leaks. Replace diaphragm if necessary3. Check connections according to instructions
Air leak at tank lid	<ol style="list-style-type: none">1. Damaged gasket2. Dirty tank rim3. Eyebolt knobs not tightened securely	<ol style="list-style-type: none">1. Replace gasket2. Clean rim3. Check tightness (See Operation) <p>⚠ CAUTION <i>Purge all air from tank before adjusting eyebolt clamps</i></p>

E
N
G
L
I
S
H

Notes

**For repair parts or technical assistance, call 1-800-323-0620
24 hours a day 365 days a year**

**E
N
G
L
I
S
H**

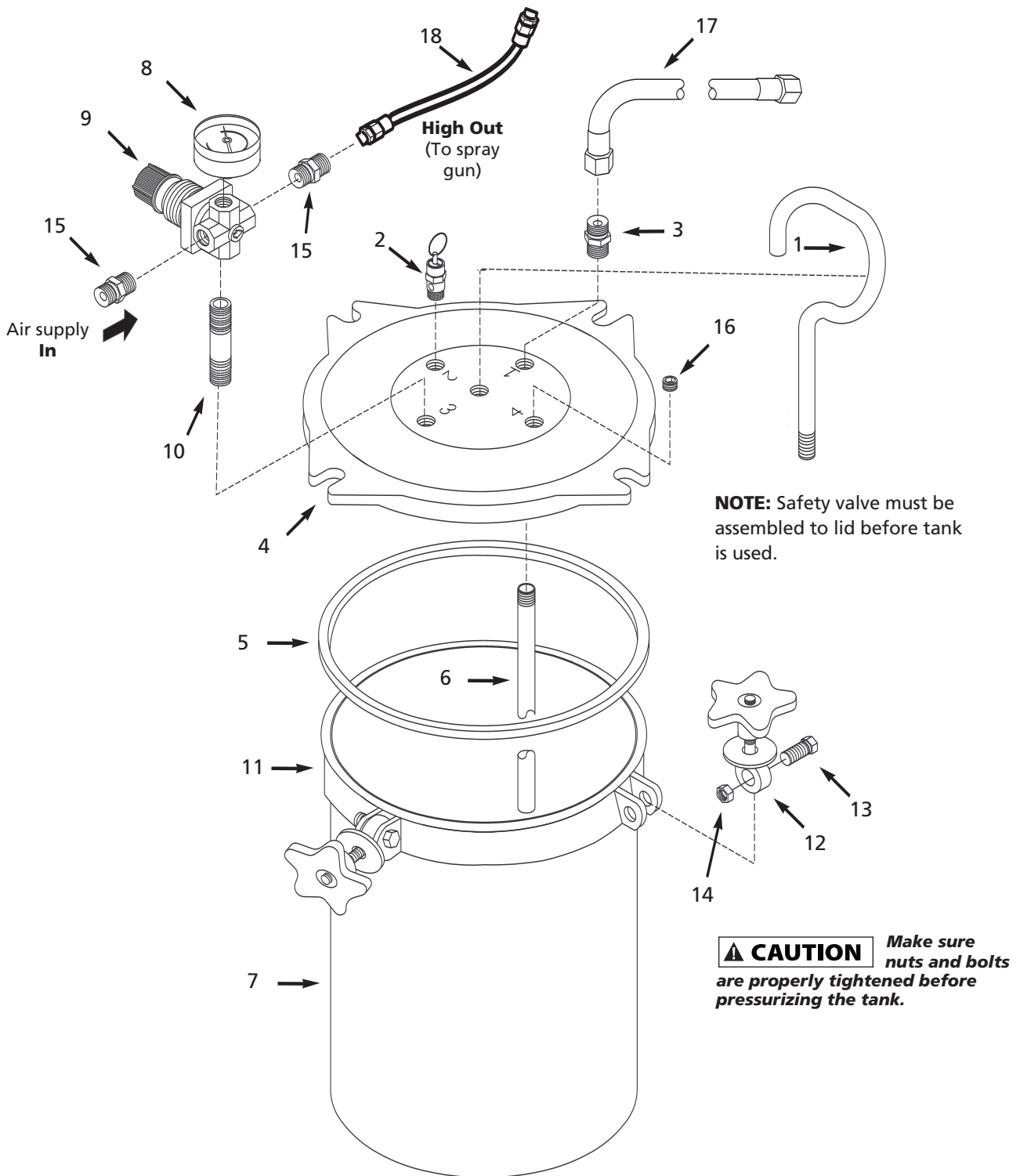


Figure 7 — Repair Parts Illustration

Repair Parts List

Please provide following information:

- Model number
- Serial number (if any)
- Part descriptions and number as shown in parts list

Reference Number	Description	Part Number	Quantity
1	Tank lid handle	PT001200AV	1
2	1/8 inch NPT Safety valve	V-017400AV	1
3	3/8 inch NPS Hose connector	HF002600AV	1
4	Paint tank lid	PT011400AV	1
5	Lid seal	PT008702AV	1
6	3/8 inch NPS Material tube	PT006700AV	1
7	Stainless steel tank with decals	—	1
8	1/8 inch NPT Pressure gauge	GA230500AV	1
9	0 psi - 60 psi Pressure regulator	RE310100AV	1
10	1/4 inch NPT Pipe nipple	ST016800AV	1
11	Tank bracket	PT011500AV	4
12	Eyebolt/Knob/Washer assembly	PT281200AJ	4
13	5/16 inch - 18 x 1-1/4 inch Hex head screw	ST012800AV	4
14	5/16 inch - 18 Locking hex nut	AL014000AV	4
15	1/4 inch NPT Hose connector	HF002401AV	2
16	1/4 inch NPT Plug with 1/4 inch Hex socket	ST022500AV	1
17	3/8 inch NPS SBR-NR 15 foot Material hose	HA633000AV	1
18	1/4 inch NPS PVC 15 foot Air hose	HA632900AV	1

— Not Available

⚠ WARNING *This unit must be assembled as indicated in these instructions. Only those parts supplied with this unit should be used. These parts are safety and performance engineered for this paint tank. Use only OEM replacement components.*

⚠ CAUTION *Make sure nuts and bolts are properly tightened before pressurizing the tank.*

Speedaire® Paint Tank

LIMITED WARRANTY

DAYTON ONE-YEAR LIMITED WARRANTY. SPEEDAIRE® 2 1/2 GALLON PAINT TANKS, MODELS COVERED IN THIS MANUAL, ARE WARRANTED BY DAYTON ELECTRIC MFG. CO. (DAYTON) TO THE ORIGINAL USER AGAINST DEFECTS IN WORKMANSHIP OR MATERIALS UNDER NORMAL USE FOR ONE YEAR AFTER DATE OF PURCHASE. ANY PART WHICH IS DETERMINED TO BE DEFECTIVE IN MATERIAL OR WORKMANSHIP AND RETURNED TO AN AUTHORIZED SERVICE LOCATION, AS DAYTON DESIGNATES, SHIPPING COSTS PREPAID, WILL BE, AS THE EXCLUSIVE REMEDY, REPAIRED OR REPLACED AT DAYTON'S OPTION. FOR LIMITED WARRANTY CLAIM PROCEDURES, SEE "PROMPT DISPOSITION" BELOW. THIS LIMITED WARRANTY GIVES PURCHASERS SPECIFIC LEGAL RIGHTS WHICH VARY FROM JURISDICTION TO JURISDICTION.

LIMITATION OF LIABILITY. TO THE EXTENT ALLOWABLE UNDER APPLICABLE LAW, DAYTON'S LIABILITY FOR CONSEQUENTIAL AND INCIDENTAL DAMAGES IS EXPRESSLY DISCLAIMED. DAYTON'S LIABILITY IN ALL EVENTS IS LIMITED TO AND SHALL NOT EXCEED THE PURCHASE PRICE PAID.

WARRANTY DISCLAIMER. A DILIGENT EFFORT HAS BEEN MADE TO PROVIDE PRODUCT INFORMATION AND ILLUSTRATE THE PRODUCTS IN THIS LITERATURE ACCURATELY; HOWEVER, SUCH INFORMATION AND ILLUSTRATIONS ARE FOR THE SOLE PURPOSE OF IDENTIFICATION, AND DO NOT EXPRESS OR IMPLY A WARRANTY THAT THE PRODUCTS ARE MERCHANTABLE, OR FIT FOR A PARTICULAR PURPOSE, OR THAT THE PRODUCTS WILL NECESSARILY CONFORM TO THE ILLUSTRATIONS OR DESCRIPTIONS. EXCEPT AS PROVIDED BELOW, NO WARRANTY OR AFFIRMATION OF FACT, EXPRESSED OR IMPLIED, OTHER THAN AS STATED IN THE "LIMITED WARRANTY" ABOVE IS MADE OR AUTHORIZED BY DAYTON.

Technical Advice and Recommendations, Disclaimer. Notwithstanding any past practice or dealings or trade custom, sales shall not include the furnishing of technical advice or assistance or system design. Dayton assumes no obligations or liability on account of any unauthorized recommendations, opinions or advice as to the choice, installation or use of products.

Product Suitability. Many jurisdictions have codes and regulations governing sales, construction, installation, and/or use of products for certain purposes, which may vary from those in neighboring areas. While attempts are made to assure that Dayton products comply with such codes, Dayton cannot guarantee compliance, and cannot be responsible for how the product is installed or used. Before purchase and use of a product, review the product applications, and all applicable national and local codes and regulations, and be sure that the product, installation, and use will comply with them.

Certain aspects of disclaimers are not applicable to consumer products; e.g., (a) some jurisdictions do not allow the exclusion or limitation of incidental or consequential damages, so the above limitation or exclusion may not apply to you; (b) also, some jurisdictions do not allow a limitation on how long an implied warranty lasts, consequently the above limitation may not apply to you; and (c) by law, during the period of this Limited Warranty, any implied warranties of implied merchantability or fitness for a particular purpose applicable to consumer products purchased by consumers, may not be excluded or otherwise disclaimed.

Prompt Disposition. A good faith effort will be made for prompt correction or other adjustment with respect to any product which proves to be defective within limited warranty. For any product believed to be defective within limited warranty, first write or call dealer from whom the product was purchased. Dealer will give additional directions. If unable to resolve satisfactorily, write to Dayton at address below, giving dealer's name, address, date, and number of dealer's invoice, and describing the nature of the defect. Title and risk of loss pass to buyer on delivery to common carrier. If product was damaged in transit to you, file claim with carrier.

Manufactured for Dayton Electric Mfg. Co., 5959 W. Howard St., Niles, Illinois 60714-4014 U.S.A.

Sírvase leer y guardar estas instrucciones. Lea con cuidado antes de tratar de armar, instalar, manejar o darle servicio al producto descrito en este manual. Protéjase Ud. y a los demás observando todas las reglas de seguridad. El no seguir las instrucciones podría resultar en heridas y/o daños a su propiedad. Guarde este manual como referencia.

Tanque de Pintura Speedaire®

Descripción

Tanque de pintura Speedaire está diseñado para usarse en proyectos de alto volumen donde se usen pistolas pulverizadoras, rodillos y otros equipos para aplicar pintura. La capacidad de este tanque es 2,5 galones o le puede colocar directamente una envase de pintura de 1 galón.

Este tanque está hecho por medio del estampado profundo de una pieza de acero inoxidable y tiene una tapa de aluminio moldeado y abrazaderas de argolla. Igualmente, viene equipada con regulador de presión, manómetro, válvula de seguridad de desfogue, y conectores. El mango de la unidad le permite colgarla al escalón de una escalera o andamio para facilitarle la tarea de pintar superficies altas.

Medidas de Seguridad

Este manual contiene información que es muy importante que sepa y comprenda. Esta información se la suministramos como medida de SEGURIDAD y para EVITAR PROBLEMAS CON EL EQUIPO. Debe reconocer los siguientes símbolos.

▲ PELIGRO Esto le indica que hay una situación inmediata que LE OCASIONARIA la muerte o heridas de gravedad.

▲ ADVERTENCIA Esto le indica que hay una situación que PODRIA ocasionarle la muerte o heridas de gravedad.

▲ PRECAUCIÓN Esto le indica que hay una situación que PODRIA ocasionarle heridas no muy graves.

AVISO Esto le indica una información importante, que de no seguirla, le podría ocasionar daños al equipo.

Para Desempacar

Al desempacar este producto, revíselo con cuidado para cerciorarse de que esté en perfecto estado. Igualmente, cerciórese de apretar todos los pernos, tuercas y conexiones, antes de usarlo.

▲ ADVERTENCIA No debe utilizar la unidad si se ha dañado durante el envío, manejo o uso. Los daños podrían ocasionar una explosión y ocasionarle heridas o daños a su propiedad.

Informaciones Generales de Seguridad

PROPOSICIÓN 65 DE CALIFORNIA

▲ ADVERTENCIA Cuando corta lija, taladra o pule materiales como por ejemplo madera, pintura, metal, hormigón, cemento, u otro tipo de mampostería se puede producir polvo. Con frecuencia este polvo contiene productos químicos que se conocen como causantes de cáncer, defectos congénitos u otros daños reproductivos. Use equipo de protección.



▲ ADVERTENCIA Este producto, o su cordón eléctrico, puede contener productos químicos conocidos por el estado de California como causantes de cáncer y defectos de nacimiento u otros daños reproductivos. Lave sus manos después de usar.

INFORMACIONES GENERALES DE SEGURIDAD

Como el tanque de pintura compresor de aire y otros componentes usados (compresor de aire, cabezal, pistolas pulverizadoras, filtros, lubricadores,

mangueras, etc.), forman parte de un sistema de bombeo de alta presión, deberá seguir las siguientes medidas de seguridad todo el tiempo:

1. Lea con cuidado todos los manuales incluidos con este producto. Familiarícese con los controles y el uso adecuado del equipo.
2. Siga todos los códigos de seguridad laboral y electricidad establecidos en su país, por ejemplo, los de la NEC y OSHA en EE.UU.
3. La presión del tanque no debe exceder 3,45 bar.
4. No exceda la presión indicada en ninguno de los componentes del sistema.
5. Cerciórese de que el regulador de presión y la válvula de seguridad estén limpios y en buenas condiciones, antes de utilizar el tanque de pintura.
6. Cerciórese de que la línea de suministro de aire esté en cero bar y de que el regulador de presión esté apagado, antes de conectar el tanque a la fuente de suministro de aire.



Especificaciones

Capacidad	Dimensiones del Tanque	Dimensiones Totales	Peso (Vacío)	Presión Máxima de Trabajo
1 envase de 1 Galón o 2,5 Galón de pintura	21 cm Día. x 29,2 cm H (8.25 inch Dia. x 11 inch H)	25,4 x 25,4 x 35,6 cm (10 inch x 10 inch x 14 inch)	4,5 Kg.	3,45 bar

Tanque de Pintura Speedaire®

Informaciones Generales de Seguridad (Continuación)

7. Cerciórese de que todas las líneas de suministro, abrazaderas de argolla y pistolas pulverizadoras estén bien conectadas, antes de encender la fuente de suministro de aire.
8. Libere toda la presión del sistema antes de tratar de darle servicio a cualquier componente.
9. Proteja las mangueras de material y de aire contra daños o roturas.
10. Nunca apunte la pistola pulverizadora hacia Ud. o ninguna otra persona. El hacerlo podría ocasionarle heridas graves.
11. Chequee las mangueras a ver si están desgastadas o rotas antes de cada uso, cerciórese de que todas las conexiones estén bien apretadas.
12. Siempre cierre el suministro de aire y libere toda la presión del tanque de pintura halándole el anillo de la válvula de seguridad antes de aflojar las perillas.
13. Chequee el manómetro y el regulador frecuentemente para cerciorarse de que estén funcionando correctamente. Igualmente, cerciórese de que no hayan residuos de pintura u otros materiales en la entrada de la válvula de seguridad. Si le aplica más de 50 bar de presión al tanque y la válvula de seguridad está obstruida, la alta presión podría dañar el tanque u ocasionarle heridas.

ADVERTENCIA *Nunca rocíe materiales inflamables cerca de llamas al descubierto o fuentes de ignición, incluyendo el compresor.*



14. No fume mientras esté rociando pintura, insecticidas u otras sustancias inflamables.

15. Use una máscara/respirador cuando vaya a rociar y siempre rocíe en un área bien ventilada, para evitar peligros de salud e incendios.



16. Nunca rocíe la pintura y otros materiales, directamente hacia el compresor. Coloque el compresor lo más lejos posible del área de trabajo, para minimizar la acumulación de residuos en el compresor.

17. Al rociar o limpiar con solventes o químicos tóxicos, siga las instrucciones del fabricante de dichos químicos.

PELIGRO *Si no sigue las instrucciones para ensamblar y utilizar adecuadamente el tanque de pintura podría ocasionar daños a su propiedad o heridas personales. Esta unidad se debe ensamblar según estas instrucciones. Sólo debe utilizar las piezas suministradas con la unidad. Estas piezas están diseñadas específicamente para el buen funcionamiento de la unidad. Use sólo repuestos legítimos.*

Ensamblaje

NOTA: Use cinta selladora de roscas de PTFE o sellador de roscas en todas las conexiones.

1. Conecte el regulador a la tapa del tanque de pintura tal como se indica en la Figura 1:

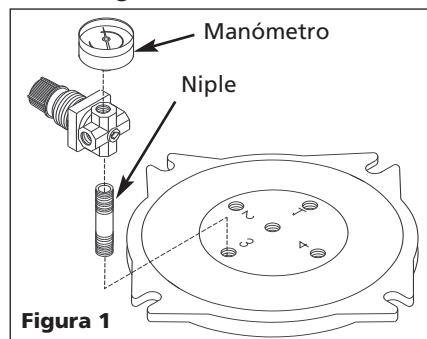


Figura 1

- a. Con la flecha apuntando hacia abajo y la perilla hacia usted, coloque el manómetro en el orificio regulador de 1/8 NPT de la izquierda.
- b. Ensamble el tapón de 1/8 en el orificio regulador opuesto de 1/8 NPT.

- c. Enrosque la conexión en T de 6,4 mm (1/4 in.) en el orificio regulador superior de 6,4 mm (1/4 in.)
- d. Enrosque el niple de la tubería de 6,4 mm (1/4 in.) en el orificio regulador inferior de 1/4 in. (que tiene la flecha).
- e. Enrosque este ensamblaje en el orificio N° 3 de 1/4 NPT que se encuentra en la tapa del tanque.

NOTA: Éste es un regulador especial para controlar la presión. No use ningún otro tipo de regulador con este tanque de pintura. Siga las instrucciones para conectar el regulador al tanque de pintura.

2. Conecte la válvula de salida de seguridad al orificio 4 de la tapa del tanque.

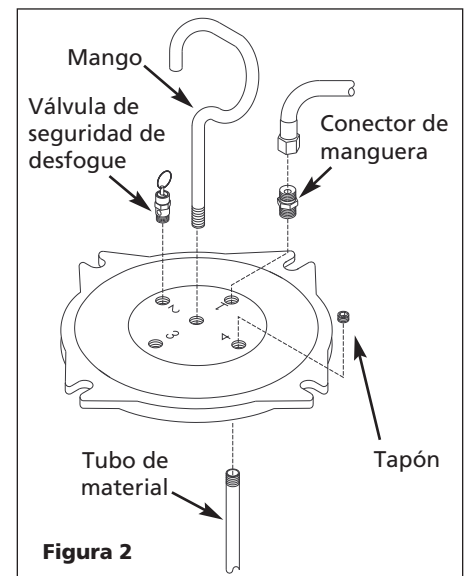


Figura 2

3. Conecte el tapón al orificio #2 de 1/8 NPT de la tapa del tanque.
4. Enrosque el mango en el orificio en el centro de la tapa del tanque.
5. Conecte el conector de la manguera al orificio # 1 en la parte superior de la tapa.
6. El tubo de material viene conectado al orificio # 1.

Modelo 6Z899B

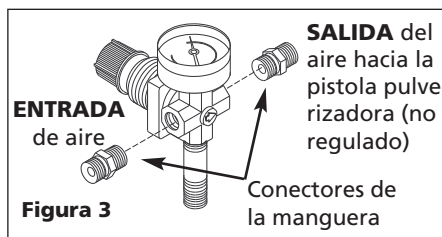
Ensamblaje (Continuación)

7. Para ensamblar la abrazadera del tanque con las perillas:
 - a. Coloque las 4 piezas de la abrazadera de modo que formen un círculo.
 - b. Coloque una abrazadera de argolla entre cada pieza, luego coloque un perno en cada orificio y enrósquelo un poco en la tuerca.
 - c. Coloque el tanque boca abajo y coloque la abrazadera alrededor del tanque.
 - d. Deslice la abrazadera hasta el borde del tanque y apriete las tuercas.

USOS

PARA USAR UNA PISTOLA PULVERIZADORA

1. Conecte la manguera de suministro de aire (no se incluye) a la conexión en T de 1/4 NPT.



2. Conecte una manguera de aire entre el lado opuesto de la conexión en T y la entrada de aire de la pistola pulverizadora.

NOTA: Le recomendamos que utilice una manguera de aire y una manguera de material de 4,6 meters cada una, entre el tanque de pintura y la pistola pulverizadora. Puede utilizar una manguera de aire de hasta 7,6 meters entre el tanque de pintura y el compresor. Si utiliza una manguera más larga podría ocasionar una pérdida de presión.

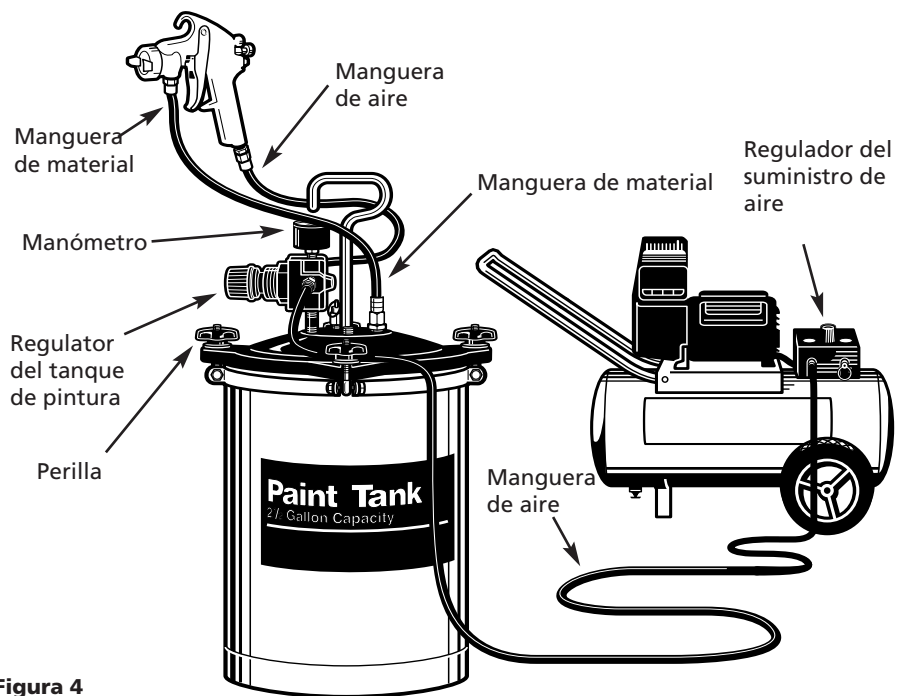
3. Conecte la manguera de material (entre el tanque de pintura y la entrada de la pistola pulverizadora.

PRECAUCION *Si usa una manguera de material que no sea compatible con los solventes usados podría ocasionar daños o heridas de gravedad.*

Funcionamiento

1. Antes de usar el tanque por primera vez, deberá aplicarle presión para fijar la posición del sello y la abrazadera.
 - a. Conecte la manguera de material a la pistola pulverizadora.
 - b. Conecte la manguera de aire al regulador y a la pistola pulverizadora o la tapa.
 - c. Antes de llenar el tanque de pintura, apriétele todas las abrazaderas para que la tapa esté bien segura y cerrada.
 - d. Gire el regulador completamente en sentido contrario a las agujas del reloj, para cerrarlo, después abra el regulador de aire de la fuente de suministro (el compresor) para suministrarle aire al regulador del tanque de pintura.

- e. Para aumentar la presión del tanque de pintura, gire la perilla en el mismo sentido de las agujas del reloj hasta que el manómetro del regulador del tanque le indique 30 bar.
- f. Cerciérese de que no hayan fugas de aire. Si hay fugas en las conexiones, cierre el regulador de la fuente de suministro de aire para cortar éste y hále cuidadosamente el anillo de la válvula de seguridad del tanque hasta que cese de escuchar el silbido que le indica que está saliendo aire. Apriéte bien la conexión que tenía la fuga y después abra el regulador de la fuente de suministro para suministrarle 2,07 bar al tanque de pintura y a la manguera de material.
- g. Para liberar la presión del sistema, corte el suministro de aire y hále cuidadosamente el anillo de la válvula de desfogue.



Tanque de Pintura Speedaire®

Funcionamiento (Continuación)

- Ahora podrá llenar el tanque de material. Antes de llenarlo, mezcle y cuele bien la pintura para quitarle las costras o partículas no disueltas que podrían impedir el flujo del material a través de la manguera y la pistola. Puede colocar un envase de 1 galón de pintura directamente en el tanque en vez de verter la pintura en el tanque.

PRECAUCIÓN *Nunca use este tanque de pintura con materiales que contengan tricloroetano, cloruros de hidrocarburos, nitrohidrocarburos, eter, aminas o compuestos orgánicos. Estos materiales dañarán el empaque entre el tanque de pintura y la tapa. El empaque dañado podría ocasionarle heridas y reducirá el rendimiento del tanque de pintura.*

- Colóquese la tapa al tanque de pintura y apriétele las perillas gradualmente en forma pareja.

NO USE UNA LLAVE O UN ALICATE (PINZAS) PARA APRETAR LAS ABRAZADERAS. SOLO APRIETELAS CON LA MANO (50 PULG.LBS.)

- Gire el regulador de la fuente de suministro de aire en sentido contrario a las agujas del reloj, para cortar el suministro de aire. El manómetro le debe indicar 0 bar.
- Gire la perilla del regulador del tanque de pintura en sentido contrario a las agujas del reloj, para cerrarlo.

FUNCIONAMIENTO DE LA PISTOLA PULVERIZADORA

- Ajuste el regulador de la fuente de suministro de aire a la presión requerida para rociar (generalmente entre 3,45 bar - 4,83 bar).
- Ajuste el regulador del tanque de pintura a una presión de 1,72 bar - 2,07 bar. El material necesitará más presión a medida que suba la pistola sobre la altura del tanque. La presión normal de trabajo del tanque de pintura es de 1,72 bar a 2,07 bar. Si

requiere una presión inferior, gire la perilla del regulador en sentido contrario a las agujas del reloj hasta alcanzar la presión deseada. No tendrá que oprimir el gatillo para liberar el exceso de presión en la pintura.

PRECAUCIÓN *La presión del tanque nunca debe exceder 3,45 bar.*

Ahora podrá comenzar a rociar pintura.

Mantenimiento

PRECAUCIÓN *Siempre cierre el suministro de aire en la fuente de su-ministro (el compresor) y hágalo con cuidado el anillo de la válvula de seguridad para purgar toda la presión del tanque, antes de aflojar la abrazadera para destaparlo.*



LIMPIEZA

IMPORTANTE: Es muy importante que limpie la manguera de material del tanque y la pistola pulverizadora tan pronto como termine de rociar.

- Para cerrar el suministro de aire al tanque, gire el tornillo de ajuste en sentido contrario a las agujas del reloj.
- Con cuidado hágalo el anillo de la válvula de seguridad para liberar el aire en el tanque.
- Cubra completamente la boquilla de la pistola pulverizadora con un trapo suave y una vez que haya presión en las líneas de aire, oprima el gatillo de la pistola. Ésto hará que la pintura que haya en la manguera se regrese al tanque.
- Quítele la tapa al tanque y vierta la pintura que sobró en el envase original para usarla posteriormente.
- Limpie el interior del tanque con un trapo limpio y seco.

PRECAUCIÓN *Nunca use este tanque de pintura con materiales que contengan tricloroetano, cloruros de hidrocarburos, nitrohidrocarburos, eter, aminas o compuestos orgánicos. Estos materiales dañarán el empaque entre el tanque de pintura y la tapa. El empaque dañado podría ocasionarle heridas y reducirá el rendimiento del tanque de pintura.*

- Vierta más o menos 1/2 galón de solvente de pintura en el tanque. Use el tipo adecuado de solvente para la pintura que vaya a usar: aguarrás para pinturas a base de aceite, thinner para pinturas a base de laca, agua tibia enjabonada para pinturas látex, etc.
- Colóquese la tapa al tanque y comience a rociar el solvente adecuado a través de la pistola pulverizadora y la manguera.
- Después de completar los pasos del 1 al 9 de esta sección, sáquele todo el thinner a la manguera.

- Limpie el borde de la ranura del tanque de pintura y el empaque.

PARA LIMPIAR LA VALVULA DE SEGURIDAD

Saque la válvula de seguridad y límpiela el orificio periódicamente. Las acumulaciones de pintura en el orificio pueden evitar que la válvula funcione adecuadamente. No desarme la válvula ni la reajuste.

PRECAUCIÓN *Este componente viene calibrado y sellado de fábrica. No trate de desarmar o reajustar la válvula de seguridad.*

RUTINA

Periódicamente revise el tanque para ver si hay fugas en la tapa. De haberlas, quítele la tapa y limpie el tanque y las ranuras. Reemplácelo el empaque.

Modelo 6Z899B

Diagnóstico de averías

Problema	Posible(s) Causa(s)	Acción a Tomar
El material no sale del tanque	<ol style="list-style-type: none"> 1. Las mangueras o el tubo de material están obstruidos 2. El diafragma del regulador está dañado 3. Las mangueras no están bien conectadas 	<ol style="list-style-type: none"> 1. Chequee las mangueras y el tubo de material 2. Chequee si el regulador tiene una fuga. Reemplace el diafragma si es necesario 3. Chequee las conexiones según las instrucciones
Hay fugas de aire en la tapa	<ol style="list-style-type: none"> 1. El empaque está dañado 2. El borde del tanque está sucio 3. Las tuercas no están bien apretadas 	<ol style="list-style-type: none"> 1. Reemplace el empaque 2. Limpie el borde 3. Cerciórese de que estén bien apretadas (Vea la sección de funcionamiento)

⚠ PRECAUCION *Purgue todo el aire del tanque antes de ajustar las abrazaderas*

Notas

E
S
P
A
Ñ
O
L



**Para ordenar partes de reparación o asistencia técnica
en México Llame al Teléfono 001-800-527-2331
en EUA Llame al Teléfono 1-800-323-0620
Las 24 horas - 365 días del año**

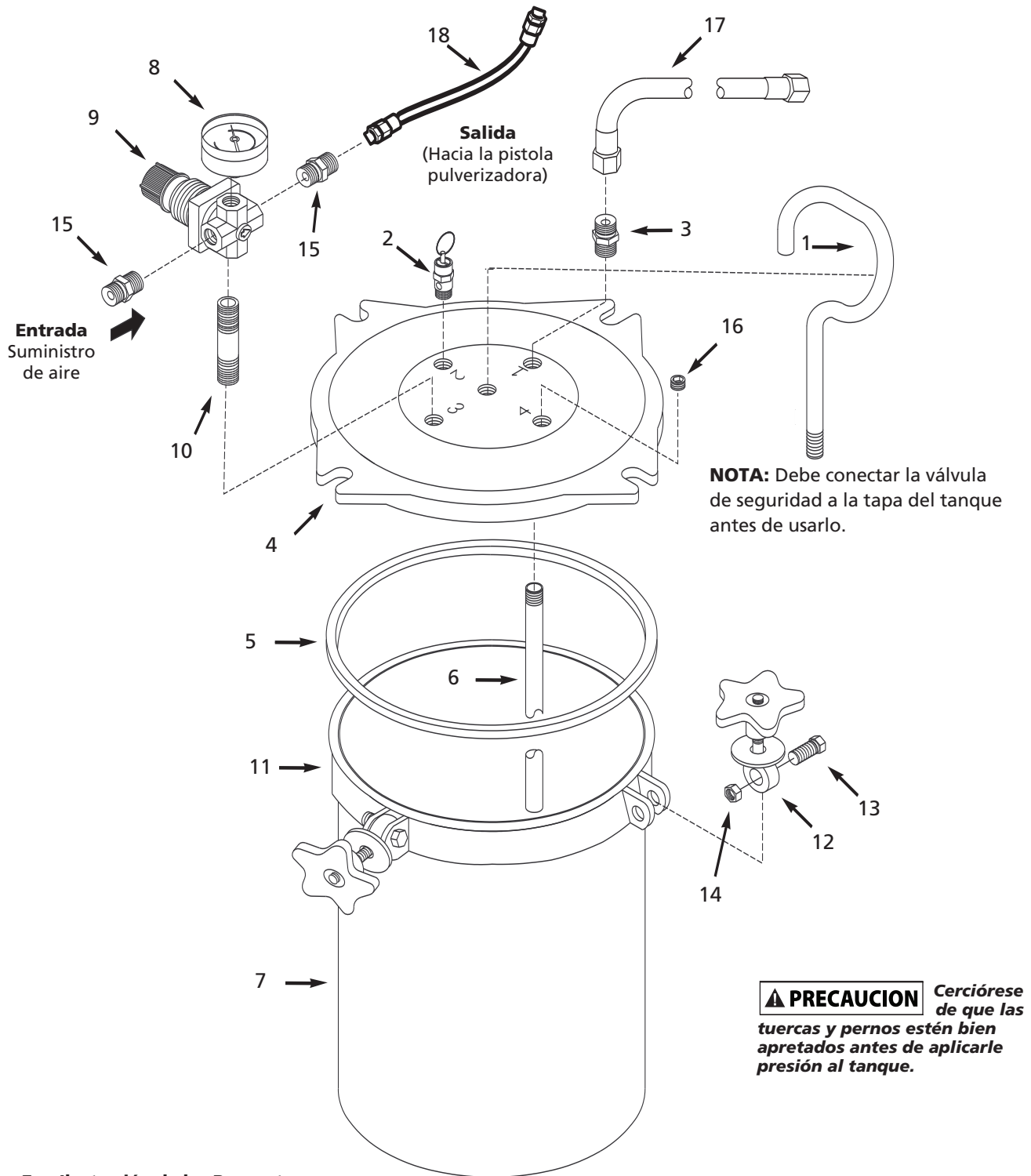


Figura 7 — Ilustración de los Repuestos

Lista de Partes de Repuestos

Sírvase suministrarlos la siguiente información:

- Número del modelo
- Número de Serie (de haberlo)
- Descripción y número del repuesto según la lista de repuestos

Número de Referencia	Descripción	Número del Repuesto	Cantidad
1	Mango de la tapa del tanque	PT001200AV	1
2	Válvula de seguridad de 1/8 NPT	V-017400AV	1
3	Conector de manguera de 3/8 NPS	HF002600AV	1
4	Tapa del tanque de pintura	PT011400AV	1
5	Sello de la tapa	PT008702AV	1
6	Tubo de material de 3/8 NPS	PT006700AV	1
7	Tanque de acero inoxidable con las etiquetass	—	1
8	Manómetro de 1/8 NPT	GA230500AV	1
9	Regulador de presión 0 bar - 4,14 bar	RE310100AV	1
10	Niple de 1/4 NPT	ST016800AV	1
11	Abrazadera del tanque	PT011500AV	4
12	Tuerca/Perilla/Arandela	PT281200AJ	4
13	Tornillo Hex de 5/16 - 18 x 3,18 cm (1-1/4 inch)	ST012800AV	4
14	Tuerca Hex de seguridad de 5/16 - 18	AL014000AV	4
15	Conexión de 6,4 mm (1/4 inch) NPT	HF002401AV	2
16	Tapón de 1/4 NPT con dado Hex de 6,4 mm (1/4 inch)	ST022400AV	1
17	Manguera de material de 3/8 NPS de SBR-NR de 4,6 M	HA633000AV	1
18	Manguera de aire 6,4 mm (1/4 inch) NPS PVC 4,57 m (15 foot)	HA632900AV	1

— Pas Disponible

⚠ ADVERTENCIA Si no sigue las instrucciones para ensamblar y utilizar adecuadamente el tanque de pintura podría ocasionar daños a su propiedad o heridas personales. Esta unidad se debe ensamblar según estas instrucciones. Sólo debe utilizar las piezas suministradas con la unidad. Estas piezas están diseñadas específicamente para el buen funcionamiento de la unidad. Use sólo repuestos legítimos.

⚠ PRECAUCION Cerciórese de que todos los pernos y tuercas estén bien apretados antes de aplicarle presión al tanque.

Tanque de Pintura Speedaire®

GARANTIA LIMITADA

GARANTIA LIMITADA DE DAYTON POR UN AÑO. SPEEDAIRE® ELECTRIC MFG. CO. (DAYTON) LE GARANTIZA AL USUARIO ORIGINAL QUE LOS MODELOS TRATADOS EN ESTE MANUAL DE LOS MODELOS DE TANQUES DE PINTURA DAYTON DE 2 1/2 GALONES ESTAN LIBRES DE DEFECTOS EN LA MANO DE OBRA O EL MATERIAL, CUANDO SE LES SOMETE A USO NORMAL, POR UN AÑO A PARTIR DE LA FECHA DE COMPRA. CUALQUIER PARTE QUE SE HALLE DEFECTUOSA, YA SEA EN EL MATERIAL O EN LA MANO DE OBRA, Y SEA DEVUELTA (CON LOS COSTOS DE ENVIO PAGADOS POR ADELANTADO) A UN CENTRO DE SERVICIO AUTORIZADO DESIGNADO POR DAYTON, SERA REPARADA O REEMPLAZADA (NO EXISTE OTRA POSIBILIDAD) SEGUN LO DETERMINE DAYTON. PARA OBTENER INFORMACION SOBRE LOS PROCEDIMIENTOS DE RECLAMO CUBIERTOS EN LA GARANTIA LIMITADA, VEA LA SECCION "ATENCION OPORTUNA" QUE APARECE MAS ADELANTE. ESTA GARANTIA LIMITADA CONFIERE AL COMPRADOR DERECHOS LEGALES ESPECIFICOS QUE VARIAN DE JURISDICCION A JURISDICCION.

LIMITES DE RESPONSABILIDAD. EN LA MEDIDA EN QUE LAS LEYES APLICABLES LO PERMITAN, LA RESPONSABILIDAD DE DAYTON POR LOS DAÑOS EMERGENTES O INCIDENTALES ESTA EXPRESAMENTE EXCLUIDA. LA RESPONSABILIDAD DE DAYTON EXPRESAMENTE ESTA LIMITADA Y NO PUEDE EXCEDER EL PRECIO DE COMPRA PAGADO POR EL ARTICULO.

EXCLUSION DE RESPONSABILIDAD DE LA GARANTIA. SE HAN HECHO ESFUERZOS DILIGENTES PARA PROPORCIONAR INFORMACION E ILUSTRACIONES APROPIADAS SOBRE EL PRODUCTO EN ESTE MANUAL; SIN EMBARGO, ESTA INFORMACION Y LAS ILUSTRACIONES TIENEN COMO UNICO PROPOSITO LA IDENTIFICACION DEL PRODUCTO Y NO EXPRESAN NI IMPLICAN GARANTIA DE QUE LOS PRODUCTOS SEAN VENDIBLES O ADECUADOS PARA UN PROPOSITO EN PARTICULAR NI QUE SE AJUSTAN NECESARIAMENTE A LAS ILUSTRACIONES O DESCRIPCIONES. CON EXCEPCION DE LO QUE SE ESTABLECE A CONTINUACION, DAYTON NO HACE NI AUTORIZA NINGUNA GARANTIA O AFIRMACION DE HECHO, EXPRESA O IMPLICITA, QUE NO SEA ESTIPULADA EN LA "GARANTIA LIMITADA" ANTERIOR.

Consejo Técnico y Recomendaciones, Exclusiones de Responsabilidad. A pesar de las prácticas, negociaciones o usos comerciales realizados previamente, las ventas no deberán incluir el suministro de consejo técnico o asistencia o diseño del sistema. Dayton no asume ninguna obligación o responsabilidad por recomendaciones, opiniones o consejos no autorizados sobre la elección, instalación o uso de los productos.

Adaptación del Producto. Muchas jurisdicciones tienen códigos o regulaciones que rigen la venta, la construcción, la instalación y/o el uso de productos para ciertos propósitos que pueden variar con respecto a los aplicables a las zonas vecinas. Si bien se trata de que los productos Dayton cumplan con dichos códigos, no se puede garantizar su conformidad y no se puede hacer responsable por la forma en que se instale o use su producto. Antes de comprar y usar el producto, revise su aplicación y todos los códigos y regulaciones nacionales y locales aplicables y asegúrese de que el producto, la instalación y el uso los cumplan.

Ciertos aspectos de limitación de responsabilidad no se aplican a productos al consumidor; es decir (a) algunas jurisdicciones no permiten la exclusión ni limitación de daños incidentales o consecuentes, de modo que las limitaciones o exclusiones anteriores quizás no apliquen en su caso; (b) asimismo, algunas jurisdicciones no permiten limitar el plazo de una garantía implícita, por lo tanto, la limitación anterior quizás no aplique en su caso; y (c) por ley, mientras la Garantía Limitada esté vigente no podrán excluirse ni limitarse en modo alguno ninguna garantía implícita de comercialización o de idoneidad para un propósito en particular aplicables a los productos al consumidor adquiridos por éste.

Atención Oportuna. Se hará un esfuerzo de buena fe para corregir puntualmente, o hacer otros ajustes, con respecto a cualquier producto que resulte defectuoso dentro de los términos de esta garantía limitada. En el caso de que encuentre un producto defectuoso y que esté cubierto dentro de los límites de esta garantía haga el favor de escribir primero, o llame, al distribuidor a quien le compró el producto. El distribuidor le dará las instrucciones adicionales. Si no puede resolver el problema en forma satisfactoria, escriba a Dayton a la dirección a continuación, dando el nombre del distribuidor, su dirección, la fecha y el número de la factura del distribuidor y describa la naturaleza del defecto. La propiedad del artículo y el riesgo de pérdida pasan al comprador en el momento de la entrega del artículo a la compañía de transporte. Si el producto se daña durante el transporte, debe presentar su reclamo a la compañía transportista.

Fabricado para Dayton Electric Mfg. Co., 5959 W. Howard St., Niles, Illinois 60714-4014 EE.UU.

S'il vous plaît lire et conserver ces instructions. Lire attentivement avant de monter, installer, utiliser ou de procéder à l'entretien du produit décrit. Se protéger ainsi que les autres en observant toutes les instructions de sécurité, sinon, il y a risque de blessure et/ou dégâts matériels! Conserver ces instructions comme référence.

Speedaire® Réservoir À Peinture

Description

Speedaire réservoir à peinture est conçu pour les projets larges utilisant les pistolets pulvérisateurs, rouleaux et autre équipement. La capacité du réservoir est 2,5 gallons de peinture. Une boîte de peinture (1 gallon) peut être placée directement dans le réservoir.

La fabrication du modèle comprend un réservoir en acier inoxydable profond d'une pièce, couvercle de réservoir en aluminium coulé sous pression, colliers avec boulons à oeil et manchon protecteur en plastique. Le modèle est équipé avec un régulateur de pression, manomètre, soupape de sûreté et raccords de canalisations d'air. Une poignée convenable permet l'attachement du modèle à l'échelon d'une échelle ou à l'échafaudage pour faciliter les travaux de peinture aux élévations.

Directives de Sécurité

Ce manuel contient de l'information très importante qui est fournie pour la SÉCURITÉ et pour ÉVITER LES PROBLÈMES D'ÉQUIPEMENT.

Rechercher les symboles suivants pour cette information.

⚠ DANGER Danger indique une situation hasardeuse imminente qui RÉSULTERA en perte de vie ou blessures graves.

⚠ AVERTISSEMENT Avertissement indique une situation hasardeuse potentielle qui PEUT résulter en perte de vie ou blessures graves.

⚠ ATTENTION Attention indique une situation hasardeuse potentielle qui PEUT résulter en blessures.

AVIS Avis indique de l'information importante pour éviter le dommage de l'équipement.

Déballage

Lors du déballage, l'examiner soigneusement pour rechercher toute trace de dommage susceptible de s'être produit en cours de transport. Serrer tous raccords, boulons, etc., avant d'utiliser le modèle.

Spécifications

Capacité	Dimension du Réservoir	Dimension Générale	Poids (vide)	Pression de Service Maximum
Boîte d'1 gallon ou 2,5 gallon en volume	21 cm Dia. x 29,2 cm (8,25 po Dia. x 11 po H)	25,4 x 25,4 x 35,6 cm (10 po x 10 po x 14 po)	11,34 Kg	345 kPa

⚠ AVERTISSEMENT Ne pas utiliser un modèle qui a été endommagé pendant le transport, la manipulation ou l'utilisation. Le dommage peut résulter en explosion et peut causer des blessures ou dégâts matériels.

Généralités sur la Sécurité PROPOSITION 65 DE CALIFORNIE

⚠ AVERTISSEMENT Vous pouvez créer de la poussière en coupant, ponçant, perçant ou meulant les matériaux tels que le bois, la peinture, le métal, le béton, le ciment ou autre maçonnerie. Cette poussière contient souvent des produits chimiques reconnus pour causer le cancer, les déformations congénitales ou autres problèmes de la reproduction. Porter de l'équipement de protection.



⚠ AVERTISSEMENT Ce produit ou son cordon peuvent contenir des produits chimiques qui, de l'avis de l'État de Californie, causent le cancer et des anomalies congénitales ou autres problèmes de reproduction. Lavez-vous les mains après la manipulation.

GÉNÉRALITÉS SUR LA SÉCURITÉ

Puisque le compresseur d'air et les autres pièces détachées (pompe, pistolets, filtres, graisseurs, tuyaux, etc.) font partie d'un

système de haute pression, il est nécessaire de suivre les précautions suivantes:

1. Lire attentivement tous manuels compris avec ce produit. Se familiariser avec ce produit, ses commandes et son utilisation.
2. Suivre tous les codes électriques et de sécurité ainsi que le National Electrical Code (NEC) et, dans les États-Unis, le Occupational Safety and Health Act (OSHA).
3. Ne pas pressuriser le réservoir plus que 345 kPa.
4. Ne pas dépasser la classification de pression de n'importe quelle pièce détachée du système.
5. Assurer que le régulateur de pression et la soupape de sûreté soient propres et en bon état de marche avant d'utiliser le réservoir à peinture.
6. Assurer que la ligne d'alimentation d'air est à zéro kPa et que le régulateur de pression n'est pas en marche avant de brancher le réservoir à la source d'air.



Speedaire® Réservoir À Peinture

Généralités sur la Sécurité (Suite)

7. Assurer que tous les lignes d'alimentation, boulons à oeil et pistolets pulvérisateurs sont sûrs avant d'alimenter en air.
8. Dissiper toute la pression du système avant de procéder à l'entretien de n'importe quelle pièce.
9. Protéger les tuyaux de matériaux contre le dommage ou la perforation.
10. Ne jamais diriger un pistolet vers soi-même ni vers une autre personne. Le décharge accidentel peut causer des blessures graves.
11. Inspecter les tuyaux pour la faiblesse ou l'usure avant chaque utilisation et assurer que les raccords soient sûrs.
12. Toujours couper la pression d'air à la source et purger toute la pression du réservoir en tirant soigneusement sur l'anneau de la soupape de sûreté avant de desserrer les boutons.
13. Vérifier la fonction du régulateur et du manomètre régulièrement. Inspecter l'arrivée de la soupape de sûreté pour la peinture ou autre encrassement. Si plus que 50 kPa est utilisé et si la soupape de sûreté est obstruée, la haute pression peut endommager le réservoir et peut causer des blessures.

AVERTISSEMENT Ne pas pulvériser des matériaux inflammables près d'une flamme ou d'une source d'allumage y compris le compresseur.



14. Ne pas fumer pendant la pulvérisation de la peinture, d'insecticides ou autre produit inflammable.

15. Utiliser un masque/respirateur pendant la pulvérisation et pulvériser dans un endroit bien ventilé afin d'éviter les hasards de santé et d'incendie.



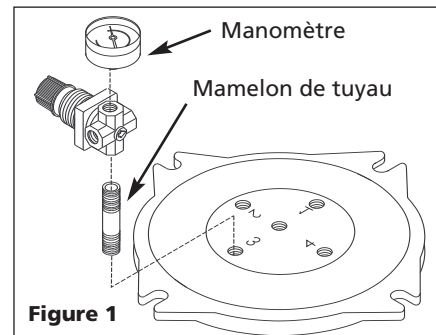
16. Ne jamais diriger la peinture ou autres matériaux vers le compresseur. Situer le compresseur aussi loin de l'endroit de pulvérisation que possible afin d'éliminer la sur-pulvérisation sur le compresseur.
17. Suivre les instructions du fabricant de produit chimique pendant la pulvérisation ou le nettoyage avec les solvants ou produits chimiques toxiques.

⚠ DANGER Manque de suivre les instructions concernant le montage et l'utilisation d'un réservoir à peinture peut résulter en dégât matériel ou blessure personnelle. Ce modèle doit être monté selon ces instructions. Utiliser seulement les pièces qui sont fournies avec ce modèle. Ces pièces sont fabriquées en qualité d'ingénieur pour la sûreté et le rendement. Utiliser seulement les pièces de rechange OEM.

Montage

REMARQUE: Utilisez le ruban d'étanchéité de filetage de PTFE, ou l'enduit d'étanchéité de filet, sur toutes les connexions.

1. Monter le régulateur au couvercle du réservoir à peinture comme indiqué sur la Figure 1:



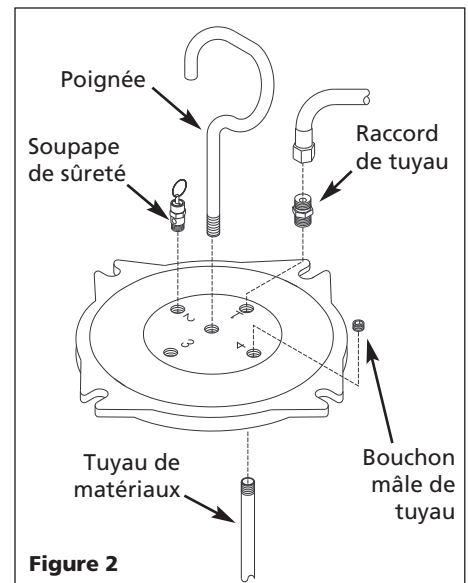
- a. Avec la flèche pointant vers le bas et le bouton vers soi, placer la jauge dans l'orifice du régulateur de 3,2 cm (1/8 po) NPT gauche.
- b. Assembler la fiche de 1/8 dans l'orifice du régulateur de 3,2 cm (1/8 po) NPT opposé.
- c. Visser le raccord de 6,4 mm (1/4 po) T dans l'orifice du

régulateur de 6,4 mm (1/4 po) supérieur.

- d. Visser le mamelon du tuyau de 6,4 mm (1/4 po) dans l'orifice du régulateur de 6,4 mm (1/4 po) (avec la flèche).
- e. Visser cet assemblage dans l'orifice #3 de 6,4 mm (1/4 po) NPT sur le couvercle du réservoir.

REMARQUE: Ce régulateur est un régulateur à limiteur de pression spécialisé. Ne pas utiliser un autre type de régulateur avec ce réservoir à peinture. Monter le régulateur au réservoir à peinture seulement selon les instructions.

2. Monter la soupape de sûreté à l'orifice #4 du couvercle de réservoir (Voir Figure 2).



3. Installer le bouchon mâle de tuyau dans l'orifice #2, 1/8 NPT du couvercle de réservoir.
4. Tarauder la poignée dans l'orifice central du couvercle de réservoir.
5. Installer le raccord de tuyau flexible dans l'orifice #1 du couvercle de réservoir du haut (Voir Figure 2).
6. Le tuyau flexible de matériaux est monté d'avance à l'orifice #1.

Modèle 6Z899B

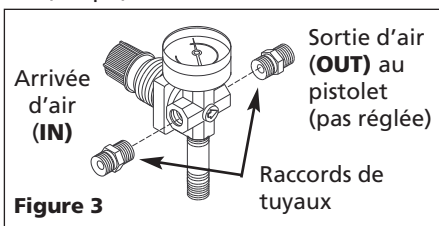
Montage (Suite)

7. Montage du support de réservoir avec montage de bouton:
 - a. Étendre le support de réservoir en forme de cercle (4 sections).
 - b. Introduire un boulon à oeil entre chaque section, glisser un boulon hexagonal à travers les trous et visser les écrous d'arrêt sans serrer.
 - c. Tourner le réservoir à l'envers et glisser le montage de support boulonné autour du réservoir.
 - d. Glisser le support jusqu'au bord et serrer tous les écrous.

USAGE DE L'ÉQUIPEMENT

PISTOLET PULVÉRISATEUR

1. Fixer le boyau d'alimentation d'air (non inclus) au raccord de 0,6 cm (1/4 po) NPT T.



2. Fixer un boyau d'air entre le côté opposé du raccord en T et l'arrivée d'air du pistolet de pulvérisation.

REMARQUE: Il est recommandé d'utiliser un tuyau à air de 4,6 meters et un tuyau de matériaux de 4,6 meters entre le réservoir et le pistolet. Un tuyau à air de jusqu'à 7,6 meters peut être utilisé entre le réservoir à peinture et le compresseur. Un tuyau plus long peut causer une perte de pression.

3. Brancher un tuyau flexible de matériaux entre le raccord du réservoir à peinture et l'arrivée de matériaux du pistolet pulvérisateur.

ATTENTION *L'utilisation d'un tuyau flexible de matériaux qui n'est pas compatible avec le solvant utilisé peut causer du dommage ou des blessures graves.*

Fonctionnement

1. Avant le premier usage, pressuriser le réservoir d'avance afin d'établir la position du joint et du support.
 - a. Brancher le tuyau flexible de matériaux au pistolet.
 - b. Brancher le tuyau à air du régulateur au pistolet ou au bouchon.
 - c. Bien serrer les boutons du couvercle également avant de remplir le réservoir avec la peinture.
 - d. Fermer le régulateur du réservoir à peinture en tournant complètement à la gauche, et ensuite ouvrir le régulateur d'air de la source pour fournir de l'air au régulateur du réservoir à peinture.
 - e. Augmenter la pression du réservoir à peinture en tournant le bouton à la droite jusqu'à ce que le manomètre du régulateur de réservoir indique 30 kPa.
- f. Vérifier pour des fuites dans le système. S'il y a une fuite dans un raccord, dépressuriser le réservoir en coupant l'air au régulateur de la source d'air et en tirant doucement sur l'anneau de la soupape de sûreté du réservoir à peinture jusqu'à ce que l'air ne s'échappe plus. Serrer le raccord et ouvrir le régulateur de la source d'air à 207 kPa dans le réservoir à peinture et tuyau flexible de matériaux.
- g. Dépressuriser le système en coupant la source d'air, et ensuite en tirant doucement sur l'anneau de la soupape de sûreté afin de soulager la pression dans le système.
2. Le réservoir peut être rempli avec le matériel. Avant de remplir, assurer de mélanger et de tamiser la peinture pour enlever la peau ou autres particules qui peuvent obstruer le débit de matériel à travers le tuyau et le pistolet. Une boîte de peinture d'un gallon peut être placée dans le réservoir.

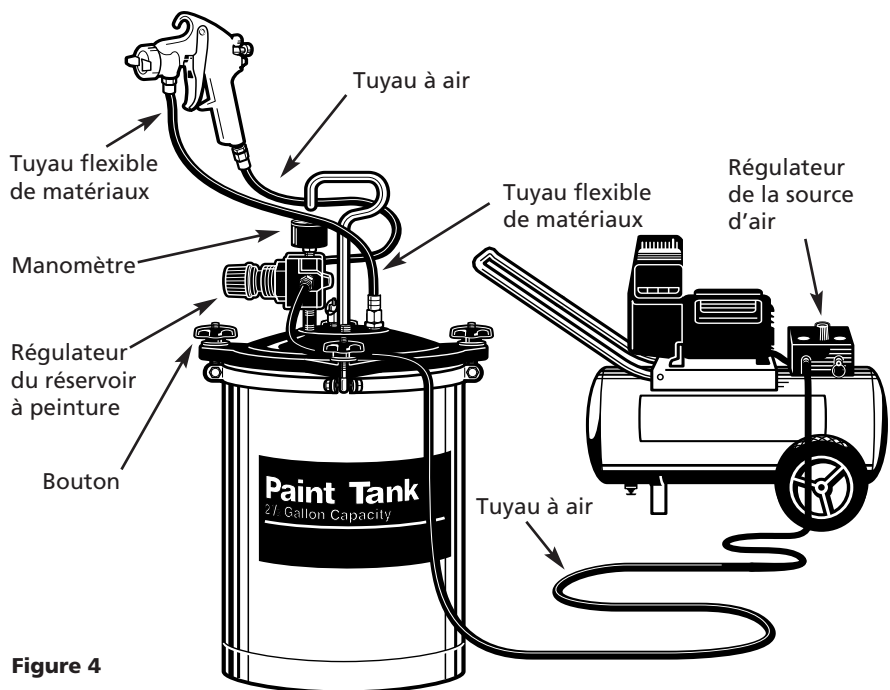


Figure 4

Speedaire® Réservoir À Peinture

Fonctionnement (Suite)

⚠ ATTENTION *Ne jamais utiliser ce réservoir à peinture avec des matériaux qui contiennent le trichloréthylène, l'hydrocarbure chloruré, les nitrohydrocarbures, esters, amines, ou matières organiques. Ces matériaux peuvent endommager le joint d'étanchéité entre le réservoir à peinture et le couvercle. Un joint endommagé peut causer des blessures et peut réduire le bon fonctionnement du réservoir à peinture.*

- Placer le couvercle sur le réservoir à peinture et serrer les boutons graduellement et également.

N'UTILISEZ PAS UNE CLÉ OU DES PINCES POUR SERRER LES BOUTONS; SERRER À LA MAIN (50 PI-LB)

- Couper la pression au régulateur de la source d'air en tournant à la gauche. Le manomètre devrait indiquer 0 kPa.
- Couper le régulateur du réservoir à peinture en tournant à la gauche.

FONCTIONNEMENT DU PISTOLET

- Ajuster la pression du régulateur de la source d'air à la pression exigée pour la pulvérisation (entre 345 kPa - 483 kPa).
- Ajuster le régulateur du réservoir à peinture à 172 kPa - 207 kPa. Plus de pression est exigée si le pistolet est soulevé plus haut par-dessus le réservoir. Le fonctionnement normal du réservoir à peinture est 172 kPa à 207 kPa. Pour une pression plus basse, tourner l'ajustement à la gauche. Le déclenchement du pistolet n'est pas nécessaire pour purger la pression excessive de peinture.

⚠ ATTENTION *Ne pas utiliser plus que 345 kPa dans le réservoir.*

Le pulvérisateur est prêt à utiliser.

Entretien

⚠ ATTENTION *Toujours couper la pression d'air à la source et purger toute la pression du réservoir à peinture en tirant doucement sur l'anneau de la soupape de sûreté avant de desserrer les boutons pour enlever le couvercle.*



NETTOYAGE

IMPORTANT: Nettoyer le tuyau de matériaux et le pistolet aussitôt que le travail soit complet.

- Couper le réservoir à air au régulateur de pression d'air en tournant la vis de réglage à la gauche.
- Tirer l'anneau de la soupape de sûreté doucement afin de purger l'air du réservoir.
- Couvrir la buse du pistolet avec un torchon et, avec les canalisations pressurisées, appuyer sur la gâchette du pistolet pour forcer la peinture du tuyau de matériaux jusqu'au réservoir.
- Enlever le couvercle du réservoir et verser le restant de la peinture dans le récipient originel.
- Essuyer l'intérieur du réservoir avec un torchon propre et sec.

⚠ ATTENTION *Ne jamais utiliser ce réservoir à peinture avec des matériaux qui contiennent le trichloréthylène, l'hydrocarbure chloruré, les nitrohydrocarbures, esters, amines, ou matières organiques. Ces matériaux peuvent endommager le joint d'étanchéité entre le réservoir à peinture et le couvercle. Un joint endommagé peut causer des blessures et peut réduire le bon fonctionnement du réservoir à peinture.*

- Verser 1/2 gallon de solvant de peinture dans le réservoir. Utiliser le solvant convenable à la peinture utilisée: solvants pour peinture à l'huile, diluant à laque pour les peintures à base de laque, eau tiède savonneuse pour Latex, etc.

- Fixer le couvercle sur le réservoir et pulvériser le solvant convenable à travers le pistolet et le tuyau.
- Suivre les étapes 1 à 9 dans cette section pour enlever tout le solvant du tuyau.
- Nettoyer le bord du couvercle de réservoir et le joint d'étanchéité.

NETTOYAGE DE LA SOUPE DE SÛRETÉ

Enlever la soupape de sûreté et nettoyer l'orifice périodiquement. L'accumulation de la peinture dans l'orifice peut empêcher le fonctionnement correct de la soupape. Ne pas démonter la soupape ni changer ses réglages.

⚠ ATTENTION *Cette pièce détachée a été étalonnée et scellée à l'usine. Ne pas essayer de démonter la soupape de sûreté ni d'altérer son étalonnage.*

ROUTINE

Inspecter le réservoir périodiquement pour des fuites autour du couvercle de peinture. S'il y a des fuites, enlever le couvercle du réservoir à peinture et nettoyer le bord du réservoir et la cannelle dans le couvercle. Remplacer le joint d'étanchéité.

Modèle 6Z899B

Guide De Dépannage

Symptôme	Cause(s) Possible(s)	Mesures Correctives
Aucun matériel qui sort du réservoir	<ul style="list-style-type: none"> 1. Tuyaux ou tuyaux flexibles de matériaux obstrués 2. Diaphragme du régulateur endommagé 3. Raccords de tuyaux incorrects 	<ul style="list-style-type: none"> 1. Inspecter les tuyaux et le tuyau de matériaux 2. Inspecter le régulateur pour des fuites. Remplacer le diaphragme si nécessaire 3. Inspecter les raccordements selon les instructions
Fuite d'air au couvercle du réservoir	<ul style="list-style-type: none"> 1. Joint d'étanchéité endommagé 2. Bord du réservoir sale 3. Boutons de boulons à oeil qui ne sont pas bien serrés 	<ul style="list-style-type: none"> 1. Remplacer le joint d'étanchéité 2. Nettoyer le bord 3. Vérifier le serrage (Voir la section Fonctionnement) <p>⚠ ATTENTION <i>Purger tout l'air du réservoir avant d'ajuster les supports de boulon à oeil</i></p>

Notes

FRANÇAIS



Pour pièces détachées ou assistance technique, appeler 1-800-323-0620

24 heures par jour, 365 jours par année

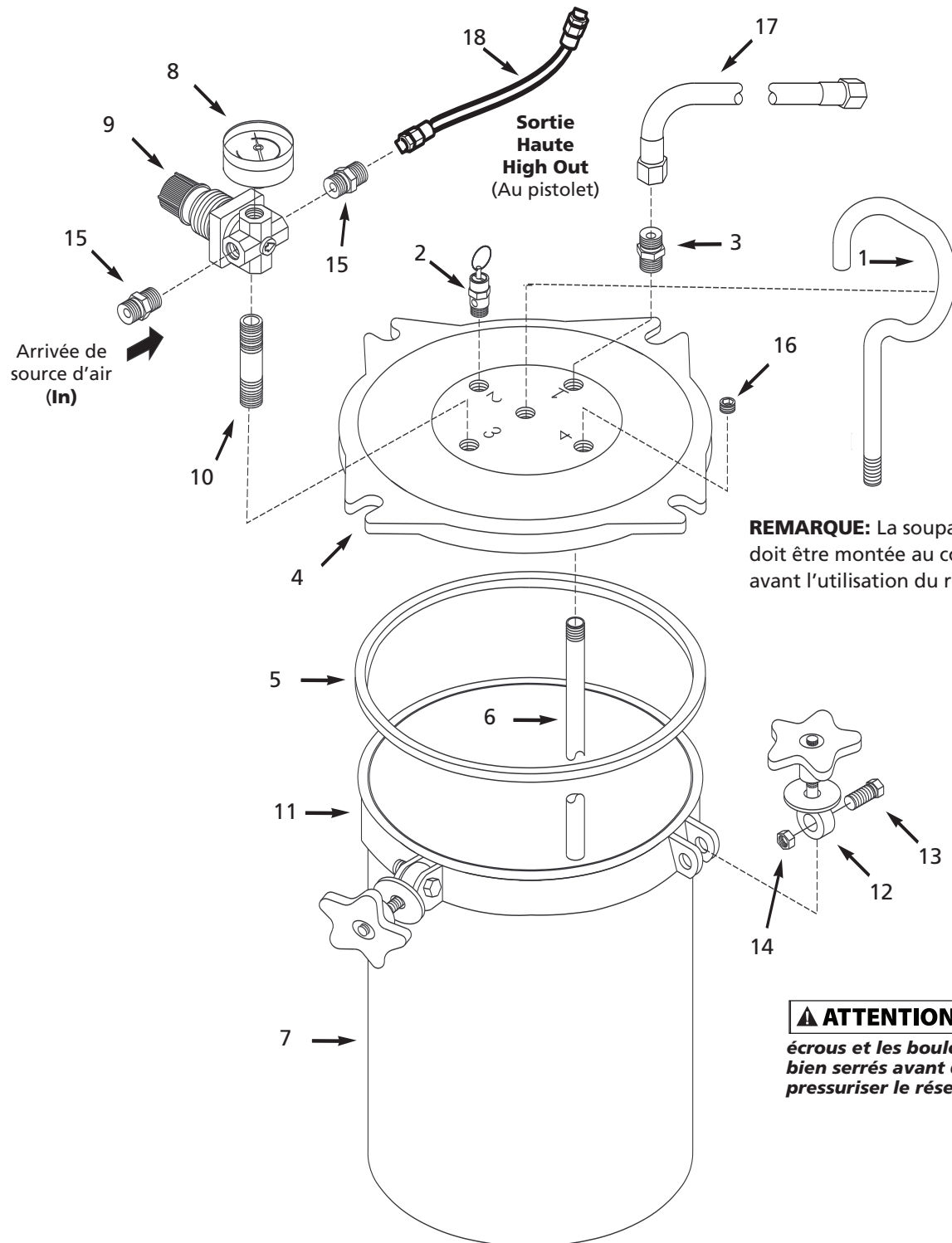


Figure 7 — Illustration de Pièces Detachées

Liste de Pièces Detachées

S'il vous plaît fournir l'information suivante:

- Numéro de modèle
- Numéro de série (si présent)
- Description et numéro de la pièce

Numéro de Référence	Description	Numéro de Pièce	Quantité
1	Poignée du couvercle de réservoir	PT001200AV	1
2	Soupape de sûreté, 1/8 NPT	V-017400AV	1
3	Raccord de tuyau, 3/8 NPS	HF002600AV	1
4	Couvercle du réservoir à peinture	PT011400AV	1
5	Joint étanche du couvercle	PT008702AV	1
6	Tuyau flexible de matériaux, 3/8 NPS	PT006700AV	1
7	Réservoir d'acier inoxydable avec des décalques	—	1
8	Manomètre, 1/8 NPT	GA230500AV	1
9	Régulateur de pression, 0 kPa - 414 kPa	RE310100AV	1
10	Mamelon de tuyau, 1/4 NPT	ST016800AV	1
11	Support de réservoir	PT011500AV	4
12	Montage de Boulon À Oeil/Bouton/Rondelle	PT281200AJ	4
13	Vis à tête hexagonale, 5/16 - 18 x 1-1/4 po	ST012800AV	4
14	Écrou de blocage hexagonal, 5/16 - 18	AL014000AV	4
15	Raccord de 0,6 cm (1/4 po) NPT T	HF002401AV	2
16	Bouchon, 1/8 NPT avec tête creuse hexagonale, 3/16 po	ST022400AV	1
17	Tuyau flexible de matériaux de 4,6 M, 3/8 NPS SBR-NR	HA633000AV	1
18	0,6 cm (1/4 po) NPS PVC 4,5m Tuyau à air	HA632900AV	1

— No Disponible

⚠ AVERTISSEMENT Ce modèle doit être monté selon ces instructions. Utiliser seulement les pièces fournies avec ce modèle. Ces pièces sont fabriquées pour ce réservoir à peinture en qualité d'ingénieur pour la sécurité et le rendement. Utiliser seulement les pièces de rechange OEM.

⚠ ATTENTION Assurer que les écrous et boulons soient bien serrés avant de pressuriser le réservoir.

Speedaire® Réservoir À Peinture

GARANTIE LIMITÉE

GARANTIE LIMITÉE DE UN AN DE DAYTON. LES SPEEDAIRE® RÉSERVOIR À PEINTURE 2 1/2 GALLONS COUVERTS DANS CE MANUEL SONT GARANTIS À L'UTILISATEUR D'ORIGINE PAR DAYTON ELECTRIC MFG. CO. (DAYTON), CONTRE TOUT DÉFAUT DE FABRICATION OU DE MATÉRIAUX, LORS D'UNE UTILISATION NORMALE, ET CELA PENDANT UN AN APRÈS LA DATE D'ACHAT. TOUTE PIÈCE, DONT LES MATÉRIAUX OU LA MAIN D'OUVRE SERONT JUGÉS DÉFECTUEUX, ET QUI SERA RENVOYÉE PORT PAYÉ, À UN CENTRE DE RÉPARATION AUTORISÉ PAR DAYTON, SERA, À TITRE DE SOLUTION EXCLUSIVE, SOIT RÉPARÉE, SOIT REMPLACÉE PAR DAYTON. POUR LE PROCÉDÉ DE RÉCLAMATION SOUS GARANTIE LIMITÉE, REPORTEZ-VOUS À LA CLAUSE DE « DISPOSITION PROMPTE » CI-DESSOUS. CETTE GARANTIE LIMITÉE DONNE AUX ACHETEURS DES DROITS LÉGAUX SPÉCIFIQUES QUI VARIENT DE JURIDICTION À JURIDICTION.

LIMITES DE RESPONSABILITÉ. LA RESPONSABILITÉ DE DAYTON, DANS LES LIMITES PERMISES PAR LA LOI, POUR LES DOMMAGES INDIRECTS OU FORTUITS EST EXPRESSEMENT DÉNIÉE. DANS TOUS LES CAS LA RESPONSABILITÉ DE DAYTON EST LIMITÉE ET NE DÉPASSERA PAS LA VALEUR DU PRIX D'ACHAT PAYÉ.

DÉSISTEMENT DE GARANTIE. DE DILIGENTS EFFORTS SONT FAITS POUR FOURNIR AVEC PRÉCISION LES INFORMATIONS ET ILLUSTRATIONS DES PRODUITS DÉCRITS DANS CETTE BROCHURE; CEPENDANT, DE TELLES INFORMATIONS ET ILLUSTRATIONS SONT POUR LA SEULE RAISON D'IDENTIFICATION, ET N'EXPRIMENT NI N'IMPLIQUENT QUE LES PRODUITS SONT COMMERCIALISABLES, OU ADAPTÉS À UN BESOIN PARTICULIER, NI QUE CES PRODUITS SONT NÉCESSAIREMENT CONFORMES AUX ILLUSTRATIONS OU DESCRIPTIONS. SAUF POUR CE QUI SUIT, AUCUNE GARANTIE OU AFFIRMATION DE FAIT, ÉNONCÉE OU IMPLICITE, AUTRE QUE CE QUI EST ÉNONCÉ DANS LA « GARANTIE LIMITÉE » CI-DESSUS N'EST FAITE OU AUTORISÉE PAR DAYTON.

Désistement sur les conseils techniques et les recommandations. Peu importe les pratiques ou négociations antérieures ou les usages commerciaux, les ventes n'incluent pas l'offre de conseils techniques ou d'assistance ou encore de conception de système. Dayton n'a aucune obligation ou responsabilité quant aux recommandations non autorisées, aux opinions et aux suggestions relatives au choix, à l'installation ou à l'utilisation des produits.

Conformité du produit. De nombreuses juridictions ont des codes et règlements qui gouvernent les ventes, constructions, installations et/ou utilisations de produits pour certains usages qui peuvent varier par rapport à ceux d'une zone voisine. Bien que Dayton essaie de s'assurer que ses produits s'accordent avec ces codes, Dayton ne peut garantir cet accord, et ne peut être jugée responsable pour la façon dont le produit est installé ou utilisé. Avant l'achat et l'usage d'un produit, revoir les applications de ce produit, ainsi que tous les codes et règlements nationaux et locaux applicables, et s'assurer que le produit, son installation et son usage sont en accord avec eux.

Certains aspects de désistement ne sont pas applicables aux produits pour consommateur; ex : (a) certaines juridictions ne permettent pas l'exclusion ou la limitation des dommages indirects ou fortuits et donc la limitation ou exclusion ci-dessus peut ne pas s'appliquer dans le cas présent; (b) également, certaines juridictions n'autorisent pas de limitations de durée de la garantie implicite, en conséquence, la limitation ci-dessus peut ne pas s'appliquer dans le cas présent; et (c) par force de loi, pendant la période de cette Garantie Limitée, toutes garanties impliquées de commerciabilité ou d'adaptabilité à un besoin particulier applicables aux produits de consommateurs achetés par des consommateurs, peuvent ne pas être exclues ni autrement désistées.

Disposition prompte. Un effort de bonne foi sera fait pour corriger ou ajuster rapidement tout produit prouvé défectueux pendant la période de la garantie limitée. Pour tout produit considéré défectueux pendant la période de garantie limitée, contacter tout d'abord le concessionnaire où l'appareil a été acheté. Le concessionnaire doit donner des instructions supplémentaires. S'il est impossible de résoudre le problème de façon satisfaisante, écrire à Dayton à l'adresse ci-dessous, en indiquant le nom et l'adresse du concessionnaire, la date et le numéro de la facture du concessionnaire, et en décrivant la nature du défaut. Le titre et le risque de perte passent à l'acheteur au moment de la livraison par le transporteur. Si le produit a été endommagé pendant le transport, une réclamation doit être faite auprès du transporteur.

Fabriqué pour Dayton Electric Mfg. Co., 5959 W. Howard St., Niles, Illinois 60714-4014 États-Unis