

# Stationary Two-Stage Air Compressor



## Description

Industrial / commercial cast iron air compressor units are intended to provide compressed air to power pneumatic tools and equipment.



## Specifications

**Models CE700000FP, CE700100FP, CE700500FP, and CE700600FP**

Motor HP: 7.5

Displacement CFM: 31.4

Delivery CFM: 24.3

Max Pressure: 175 psi

Pump RPM: 1020

Unit Weight: 585 lbs.

**1 Phase Units:** CE700000FP, CE700500FP

**3 Phase Units:** CE700100FP, CE700600FP

**Models CE705000FP, CE705100FP, CE705200FP, and CE705300FP**

Motor HP: 5.0

Displacement CFM: 21.1

Delivery CFM: 16.6

Max Pressure: 175 psi

Pump RPM: 700

Unit Weight: 560 lbs.

**1 Phase Units:** CE705000FP, CE705200FP

**3 Phase Units:** CE705100FP, CE705300FP

Model #: \_\_\_\_\_

Serial #: \_\_\_\_\_

Date of Purchase: \_\_\_\_\_

Retain these numbers for future reference.

**FRANÇAISE: Page 5**

**ESPAÑOL: Página 9**

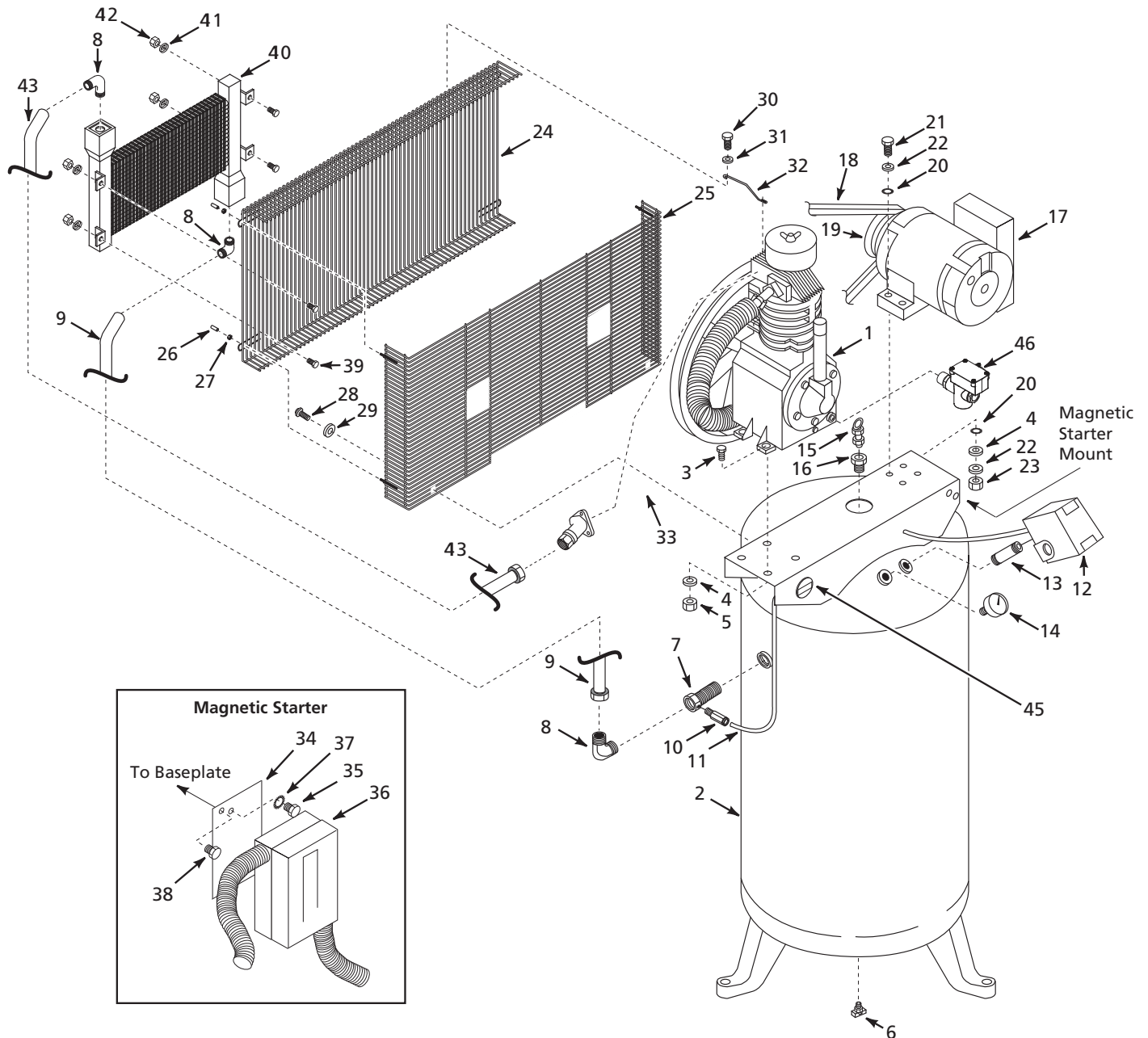
**For Replacement Parts or Technical Assistance, Call 1-800-543-6400**

Please provide following information:

- Model number
- Serial number (if any)
- Part description and number as shown in parts list

Address any correspondence to:

Campbell Hausfeld  
 Attn: Customer Service  
 100 Production Drive  
 Harrison, OH 45030 U.S.A.



**Figure 1 - Repair Parts Illustration**

## Replacement Parts List

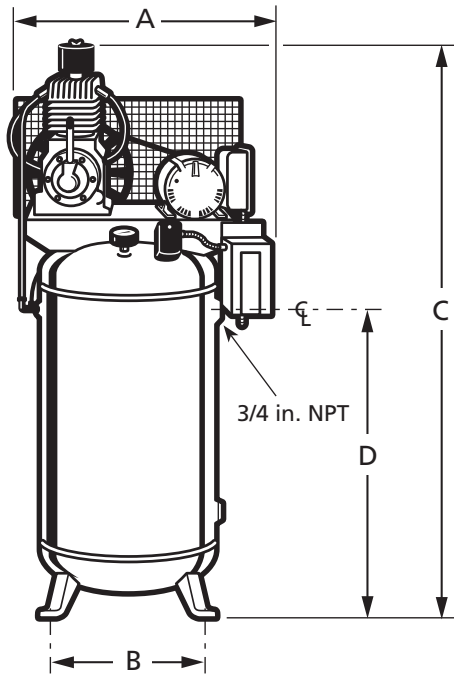
Ref. No.	Description	CE70000FP CE700500FP	CE700100FP CE700600FP	CE705000FP CE705200FP	CE705100FP CE705300FP	Qty.
1	Air compressor pump	◆	◆	◆	◆	1
2	Vertical tank	AR234900CG	AR234900CG	AR234900CG	AR234900CG	1
	Horizontal tank	AR235200CG	AR235200CG	AR235200CG	AR235200CG	1
3	7/16 - 14 x 1-1/2 inch Hex head screw	*	*	*	*	4
4	7/16 inch Washer	ST070916AV	ST070916AV	ST070916AV	ST070916AV	8
5	7/16 inch - 14 Hex nut	*	*	*	*	4
6	3/8 inch NPT Drain cock	ST127700AV	ST127700AV	ST127700AV	ST127700AV	1
7	3/4 inch Check valve	CV003205AV	CV003205AV	CV003205AV	CV003205AV	1
8	90° Compression fitting	ST072231AV	ST072231AV	ST072231AV	ST072231AV	3
9	Aftercooler to tank tube (horizontal tank)	CE001300AP	CE001300AP	CE001300AP	CE001300AP	1
	Aftercooler to tank tube (vertical tank)	CE000500AP	CE000500AP	CE000500AP	CE000500AP	1
10	1/4 inch Compression fitting	ST011701AV	ST011701AV	ST011701AV	ST011701AV	1
11	Copper tube (2 feet)	R-060600AP	R-060600AP	R-060600AP	R-060600AP	1
12 †	145/175 - Pressure switch	CW207561AV	CW207561AV	CW207561AV	CW207561AV	1
13	1/4 - 18 x 2-1/2 inch Pipe nipple	ST070387AV	ST070387AV	ST070387AV	ST070387AV	1
14	1/4 inch NPT, 300 psi pressure gauge	GA031901AV	GA031901AV	GA031901AV	GA031901AV	1
15	Safety valve	V-215200AV	V-215200AV	V-215200AV	V-215200AV	1
16	1/2 x 1/4 inch Reducer bushing	ST071428AV	ST071428AV	ST071428AV	ST071428AV	1
17	1 phase Motor	MC025100AV	—	MC022393IP	—	1
	3 phase Motor	—	MC301500IP	—	MC022394IP	1
18	Belt	BT008500AV	BT008500AV	BT022000AV	BT022000AV	1
19	Pulley	PU009750AV	PU009750AV	PU008003AV	PU008003AV	1
20	3/8 inch External tooth lockwasher	ST072608AV	ST072608AV	ST072608AV	ST072608AV	2
21	3/8 - 16 x 1-1/4 inch Screw	*	*	*	*	4
22	3/8 inch Washer	ST070914AV	ST070914AV	ST070914AV	ST070914AV	8
23	3/8 inch - 16 Nut	ST033500AV	ST033500AV	ST033500AV	ST033500AV	4
24	Belt guard front	BG217000AV	BG217000AV	BG217000AV	BG217000AV	1
25	Belt guard back	BG217100AV	BG217100AV	BG217100AV	BG217100AV	1
26	Safety cap	ST075400AV	ST075400AV	ST075400AV	ST075400AV	5
27	10 - 24 Hex flange nut	ST116201AV	ST116201AV	ST116201AV	ST116201AV	5
28	5/16 - 12 x 3/4 inch Self tapping screw	ST016500AV	ST016500AV	ST016500AV	ST016500AV	2
29	5/16 inch Washer	ST011200AV	ST011200AV	ST011200AV	ST011200AV	2
30	1/4 - 20 x 5/8 inch Bolt	ST074415AV	ST074415AV	ST074415AV	ST074415AV	1
31	1/4 inch Washer	ST070910AV	ST070910AV	ST070910AV	ST070910AV	1
32	Belt guard bracket	TF063400AV	TF063400AV	TF063400AV	TF063400AV	1
33	Tube fitting	TF060402AJ	TF060402AJ	TF060402AJ	TF060402AJ	1
34	Mounting plate	BG215300AV	BG215300AV	BG215300AV	BG215300AV	1
35	5/16 - 12 x 3/4 inch Screw	ST016500AV	ST016500AV	ST016500AV	ST016500AV	2
36	1 phase Magnetic starter	ST122010AJ	—	ST122001AJ	—	1
	3 phase Magnetic starter	—	ST122011AJ	—	ST122003AJ	1
37	5/16 inch External tooth washer	ST146800AV	ST146800AV	ST146800AV	ST146800AV	2
38	8 - 32 x 7/16 inch Hex screw	ST074407AV	ST074407AV	ST074407AV	ST074407AV	4
39	5/16 inch - 18 Carriage Bolt	ST071310AV	ST071310AV	ST071310AV	ST071310AV	4
40	M-15 Belt Guard Aftercooler	CE000300AV	CE000300AV	CE000300AV	CE000300AV	1
41	5/16 inch Plain Washer	ST011200AV	ST011200AV	ST011200AV	ST011200AV	4
42	5/16 inch - 18 Locknut	ST146001AV	ST146001AV	ST146001AV	ST146001AV	4
43	Exhaust Tube to Aftercooler (horizontal tank)	CE001400AP	CE001400AP	CE001400AP	CE001400AP	1
	Exhaust Tube to Aftercooler (vertical tank)	CE000400AP	CE000400AP	CE000400AP	CE000400AP	1
44 △	Warning Decal	DK747600AV	DK747600AV	DK747600AV	DK747600AV	1
45	Hour Meter	CE001400AV	CE001400AV	CE001400AV	CE001400AV	1
46	Low oil guard	TF062300AV	TF062300AV	TF062300AV	TF062300AV	1
47 △	460 volt Conversion kit	—	ZZ050600AJ	—	ZZ050300AJ	1

◆ When ordering pump repair parts, see compressor nameplate for exact model number.

\* Standard hardware item - available at your local hardware store.

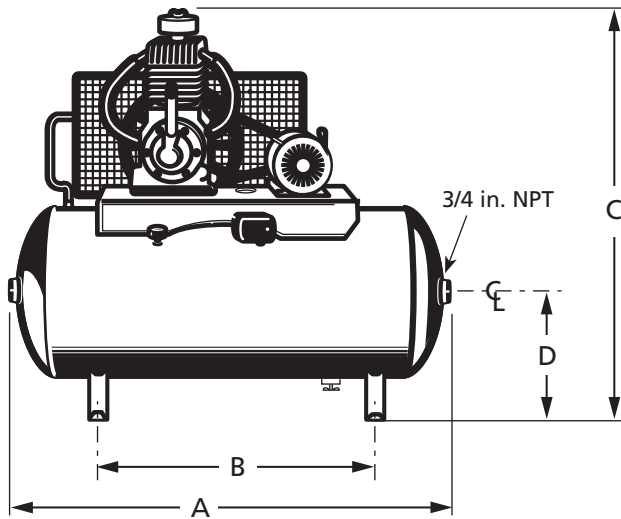
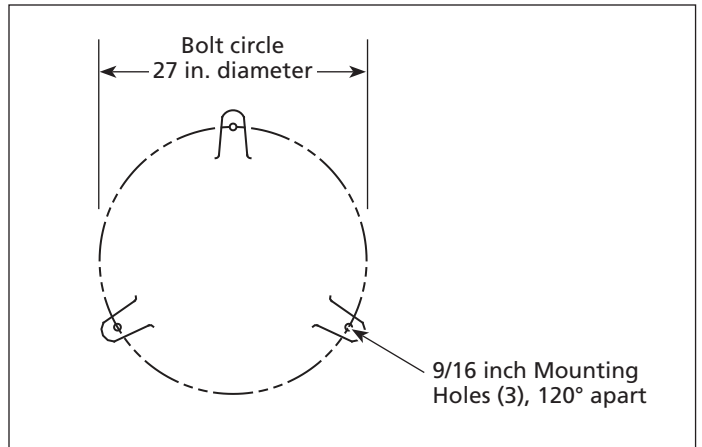
† Unloader valve available separately, Part Number CW000200AV.

△ Not shown.



Key	Item	Dimensions
A	Overall width	32-1/2 inches
B	Bolt down-width (120° apart)	22-1/4 inches
C	Overall height	75 inches
D	Tank outlet to ground	40 inches
E	△ Overall depth	25-1/2 inches

△ Not shown



Key	Item	Dimensions
A	Overall width	64 inches
B	Bolt down-width	40 inches
C	Overall height	49 inches
D	Tank outlet to ground	14 inches
E	△ Bolt down depth	18 inches
F	△ Overall depth	20-1/2 inches

△ Not shown

# Compresseur D'Air Stationnaire À Deux Étages



## Description

Les unités de compresseurs d'air de fonte commerciaux / industriels sont pour fournir de l'air comprimé pour alimenter les outils et l'équipement pneumatiques.



## Spécifications

**Modèles CE700000FP, CE700100FP, CE700500FP, et CE700600FP**

Moteur HP: 7,5

Déplacement m<sup>3</sup>/min.: 0,89

Débit m<sup>3</sup>/min.: 0,69

Pression Max.: 1207 kPa

Pompe RPM: 1020

Poids du Modèle: 265 Kg

Unité de 1 Phasé: CE700000FP, CE700500FP

Unité de 3 Phasés: CE700100FP, CE700600FP

**Modèles CE705000FP, CE705100FP, CE705200FP, et CE705300FP**

Moteur HP: 5,0

Déplacement m<sup>3</sup>/min.: 0,60

Débit m<sup>3</sup>/min.: 0,47

Pression Max.: 1207 kPa

Pompe RPM: 700

Poids du Modèle: 254 Kg

Unité de 1 Phasé: CE705000FP, CE705200FP

Unité de 3 Phasés: CE705100FP, CE705300FP

No. de Modèle : \_\_\_\_\_

No. de Série : \_\_\_\_\_

Date d'Achat : \_\_\_\_\_

Garder ces numéros pour référence.

ENGLISH: Page 1

ESPAÑOL: Página 9

**Pour pièces de rechange ou assistance technique, appeler 1-800-543-6400**

S'il vous plaît fournir l'information suivante :

- Numéro de modèle
- Code imprimé sur l'outil
- Description de la pièce et son numéro

Adresser toute correspondance à :

Campbell Hausfeld  
Attn: Customer Service  
100 Production Drive  
Harrison, OH 45030 U.S.A.

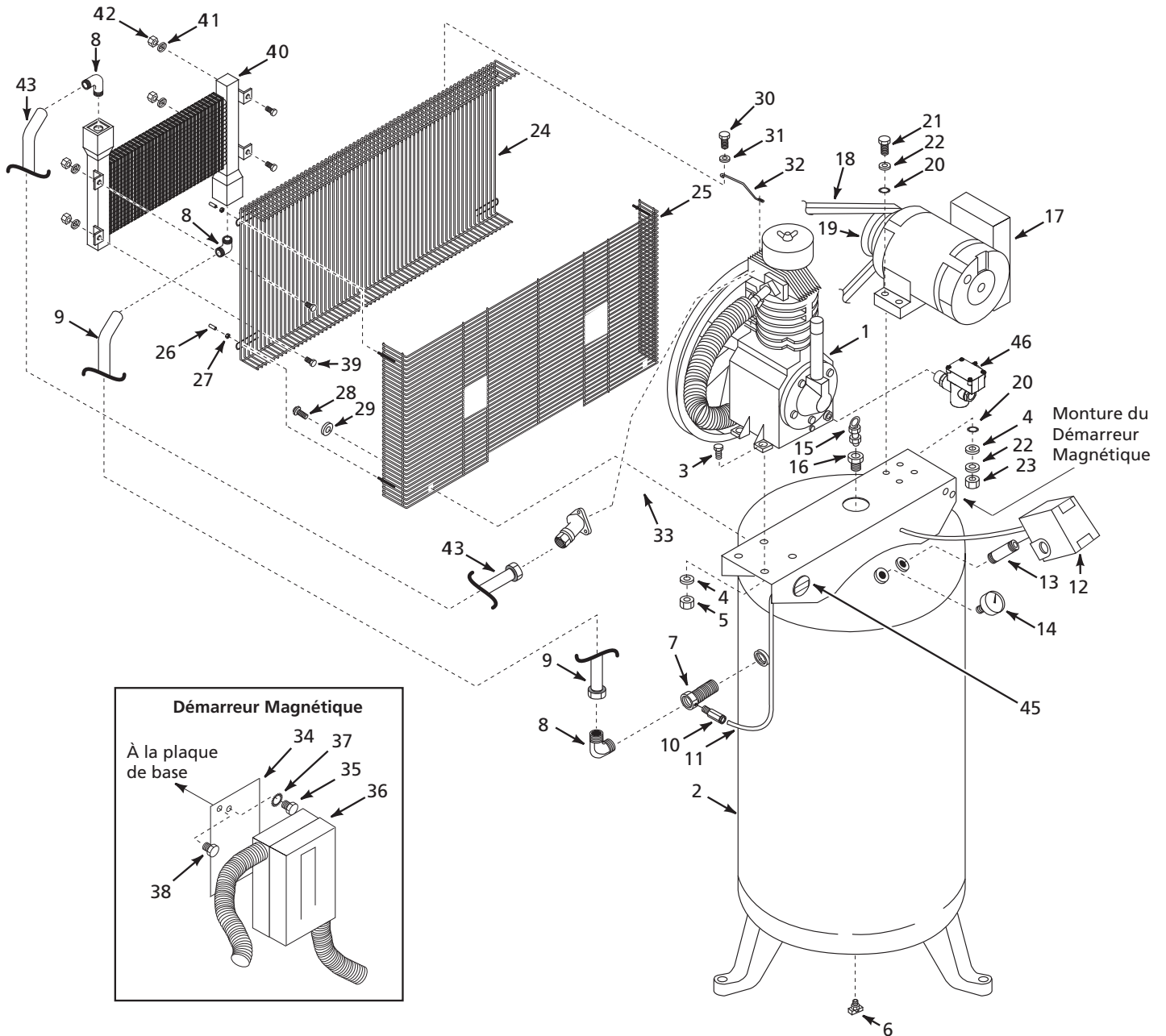


Figure 1 - Illustration des pièces de réparation



## Liste de pièces de rechange

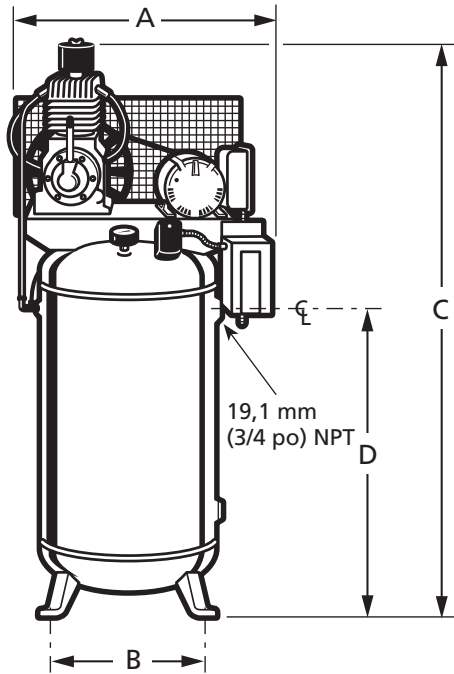
No. de Réf.	Description	CE700000FP CE700500FP	CE700100FP CE700600AV	CE705000FP CE705200FP	CE705100FP CE705300FP	Qté.
1	Pompe du compresseur d'air	◆	◆	◆	◆	1
2	Réservoir vertical	AR234900CG	AR234900CG	AR234900CG	AR234900CG	1
	Réservoir horizontal	AR235200CG	AR235200CG	AR235200CG	AR235200CG	1
3	Vis à tête hex, 7/16-14 x 1 1/2 po	*	*	*	*	4
4	Rondelle, 7/16 po	ST070916AV	ST070916AV	ST070916AV	ST070916AV	8
5	Écrou hexagonal, 7/16-14 po	*	*	*	*	4
6	Robinet de purge, 3/8 po NPT	ST127700AV	ST127700AV	ST127700AV	ST127700AV	1
7	Clapet, 3/4 po	CV003205AV	CV003205AV	CV003205AV	CV003205AV	1
8	Raccord de compression, 90°	ST072231AV	ST072231AV	ST072231AV	ST072231AV	3
9	Refroidisseur intermédiaire au tube du réservoir (réservoir horizontal)	CE001300AP	CE001300AP	CE001300AP	CE001300AP	1
	Post refrigerante al tubo del tanque (tanque vertical)	CE000500AP	CE000500AP	CE000500AP	CE000500AP	1
	Raccord de compression, 1/4 po	ST011701AV	ST011701AV	ST011701AV	ST011701AV	1
10	Tube de cuivre	R-060600AP	R-060600AP	R-060600AP	R-060600AP	1
11	† Manostat 145/175	CW207561AV	CW207561AV	CW207561AV	CW207561AV	1
12	† Mamelon, 1/4-18 x 2 1/2 po	ST070387AV	ST070387AV	ST070387AV	ST070387AV	1
13	Manomètre, 1/4 po NPT, 300 kPa	GA031901AV	GA031901AV	GA031901AV	GA031901AV	1
14	Soupape de sûreté	V-215200AV	V-215200AV	V-215200AV	V-215200AV	1
15	Bague de réduction, 3/4 x 1/4 po	ST071428AV	ST071428AV	ST071428AV	ST071428AV	1
16	Moteur monophasé	MC025100AV	—	MC022393IP	—	1
17	Moteur triphasé	—	MC301500IP	—	MC022394IP	1
18	Courroie	BT008500AV	BT008500AV	BT022000AV	BT022000AV	1
19	Poulie	PU009750AV	PU009750AV	PU008003AV	PU008003AV	1
20	Rondelle étoile 3/8 po	ST072608AV	ST072608AV	ST072608AV	ST072608AV	2
21	Vis, 3/8-16 x 1 1/4 po	*	*	*	*	4
22	Rondelle, 3/8 po	ST070914AV	ST070914AV	ST070914AV	ST070914AV	8
23	Écrou, 3/8-16	ST033500AV	ST033500AV	ST033500AV	ST033500AV	4
24	Carter de courroie, avant	BG217000AV	BG217000AV	BG217000AV	BG217000AV	1
25	Carter de courroie, arrière	BG217100AV	BG217100AV	BG217100AV	BG217100AV	1
26	Casque de sécurité	ST075400AV	ST075400AV	ST075400AV	ST075400AV	5
27	Écrou à collet hexagonal, 10-24	ST116201AV	ST116201AV	ST116201AV	ST116201AV	5
28	Vis autotaraudeuse, 5/16-12 x 3/4 po	ST016500AV	ST016500AV	ST016500AV	ST016500AV	2
29	Rondelle, 5/16 po	ST011200AV	ST011200AV	ST011200AV	ST011200AV	2
30	Boulon, 1/4-20 x 5/8 po	ST074415AV	ST074415AV	ST074415AV	ST074415AV	1
31	Rondelle, 1/4 po	ST070910AV	ST070910AV	ST070910AV	ST070910AV	1
32	Support du carter de courroie	TF063400AV	TF063400AV	TF063400AV	TF063400AV	1
33	Raccord de tube	TF060402AJ	TF060402AJ	TF060402AJ	TF060402AJ	1
34	Plaque de fixation	BG215300AV	BG215300AV	BG215300AV	BG215300AV	1
35	Vis, 5/16-12 x 3/4 po	ST016500AV	ST016500AV	ST016500AV	ST016500AV	2
36	Démarrateur magnétique monophasé	ST122010AJ	—	ST122001AJ	—	1
	Démarrateur magnétique triphasé	—	ST122011AJ	—	ST122003AJ	1
37	Rondelle étoile 5/16 po	ST146800AV	ST146800AV	ST146800AV	ST146800AV	2
38	Vis à tête hex, 8-32 x 7/16 po	ST074407AV	ST074407AV	ST074407AV	ST074407AV	4
39	Boulon de carrosserie de 7,9 mm (5/16 po) - 18	ST071310AV	ST071310AV	ST071310AV	ST071310AV	4
40	Refroidisseur intermédiaire à protecteur de courroie M-15	CE000300AV	CE000300AV	CE000300AV	CE000300AV	1
41	Rondelle plate de 7,9 mm (5/16 po)	ST011200AV	ST011200AV	ST011200AV	ST011200AV	4
42	Contre-écrou de 7,9 mm (5/16 po) - 18	ST146001AV	ST146001AV	ST146001AV	ST146001AV	4
43	Tube d'échappement au refroidisseur intermédiaire (réservoir horizontal)	CE001400AP	CE001400AP	CE001400AP	CE001400AP	
	Tube d'échappement au refroidisseur intermédiaire (réservoir vertical)	CE000400AP	CE000400AP	CE000400AP	CE000400AP	1
44	△ Décalcomanie-Avertissement	DK747600AV	DK747600AV	DK747600AV	DK747600AV	1
45	Compteur horaire	CE001400AV	CE001400AV	CE001400AV	CE001400AV	1
46	Indicateur de niveau d'huile	TF062300AV	TF062300AV	TF062300AV	TF062300AV	1
47	△ Trousse de conversion 460 volts	—	ZZ050600AJ	—	ZZ050300AJ	1

◆ En commandant les pièces de réparation de la pompe, consultez la plaque signalétique du compresseur pour le numéro de modèle exact.

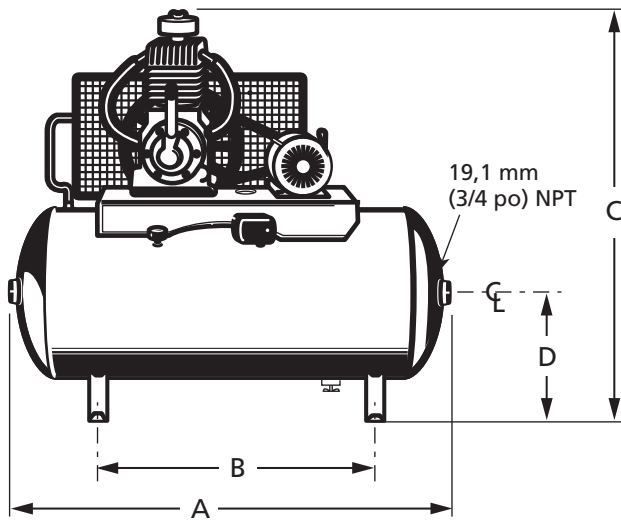
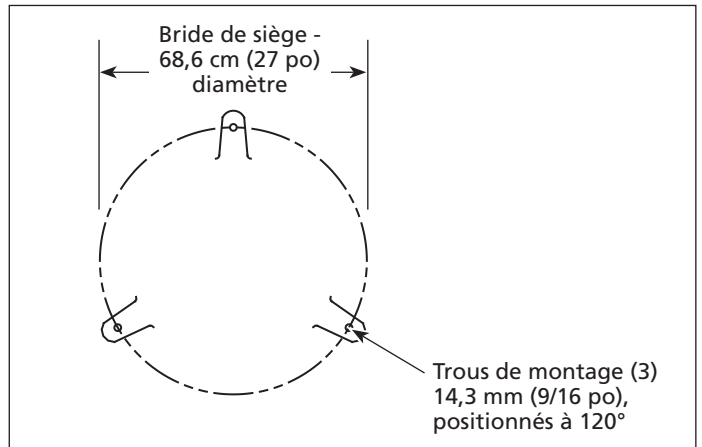
\* Article normal de quincaillerie - disponible à votre quincaillerie locale.

† La soupape de déchargement est disponible séparément, Numéro de Pièce CW000200AV.

△ Pas indiquée.



Ref.	Article	Dim.
A	Largeur totale	82,6 cm
B	Largeur de boulonnage (120° apart)	56,5 cm
C	Hauteur totale	190,5 cm
D	Sortie du réservoir à la terre	101,6 cm
E	Profondeur totale	64,8 cm



Ref.	Article	Dim.
A	Largeur totale	162,6 cm
B	Largeur de boulonnage	101,6 cm
C	Hauteur totale	124,5 cm
D	Sortie du réservoir à la terre	35,6 cm
E	△ Profondeur de boulonnage	45,7 cm
F	△ Profondeur totale	52,1 cm

△ Pas indiquée



# Compresor de Aire Estacionario de 2 Etapas



## Descripción

Las unidades de compresor de aire industriales/comerciales de hierro fundido fueron diseñadas para proporcionar aire comprimido a herramientas y equipos neumáticos.



## Especificaciones

**Modelos CE700000FP, CE700100FP, CE700500FP, y CE700600FP**

CP del Motor: 7,5

Desplazamiento m<sup>3</sup>/min.: 0,89

Suministro m<sup>3</sup>/min.: 0,69

Presión Max.: 12,07 bar

RPM del Cabezal: 1020

Peso de la Unidad: 265 Kg

Unidad de la

1 Fase: CE700000FP, CE700500FP

Unidad de la

3 Fases: CE700100FP, CE700600FP

**Modelos CE705000FP, CE705100FP, CE705200FP, y CE705300FP**

CP del Motor: 5,0

Desplazamiento m<sup>3</sup>/min.: 0,60

Suministro m<sup>3</sup>/min.: 0,47

Presión Max.: 12,07 bar

RPM del Cabezal: 700

Peso de la Unidad: 254 Kg

Unidad de la 1 Fase: CE705000FP, CE705200FP

Unidad de la 3 Fases: CE705100FP, CE705300FP

No. del Modelo: \_\_\_\_\_

No. de Serie: \_\_\_\_\_

Fecha de Compra: \_\_\_\_\_

Guarde estos números  
para referencia en el futuro.

ENGLISH: Page 1

FRANÇAISE: Page 5

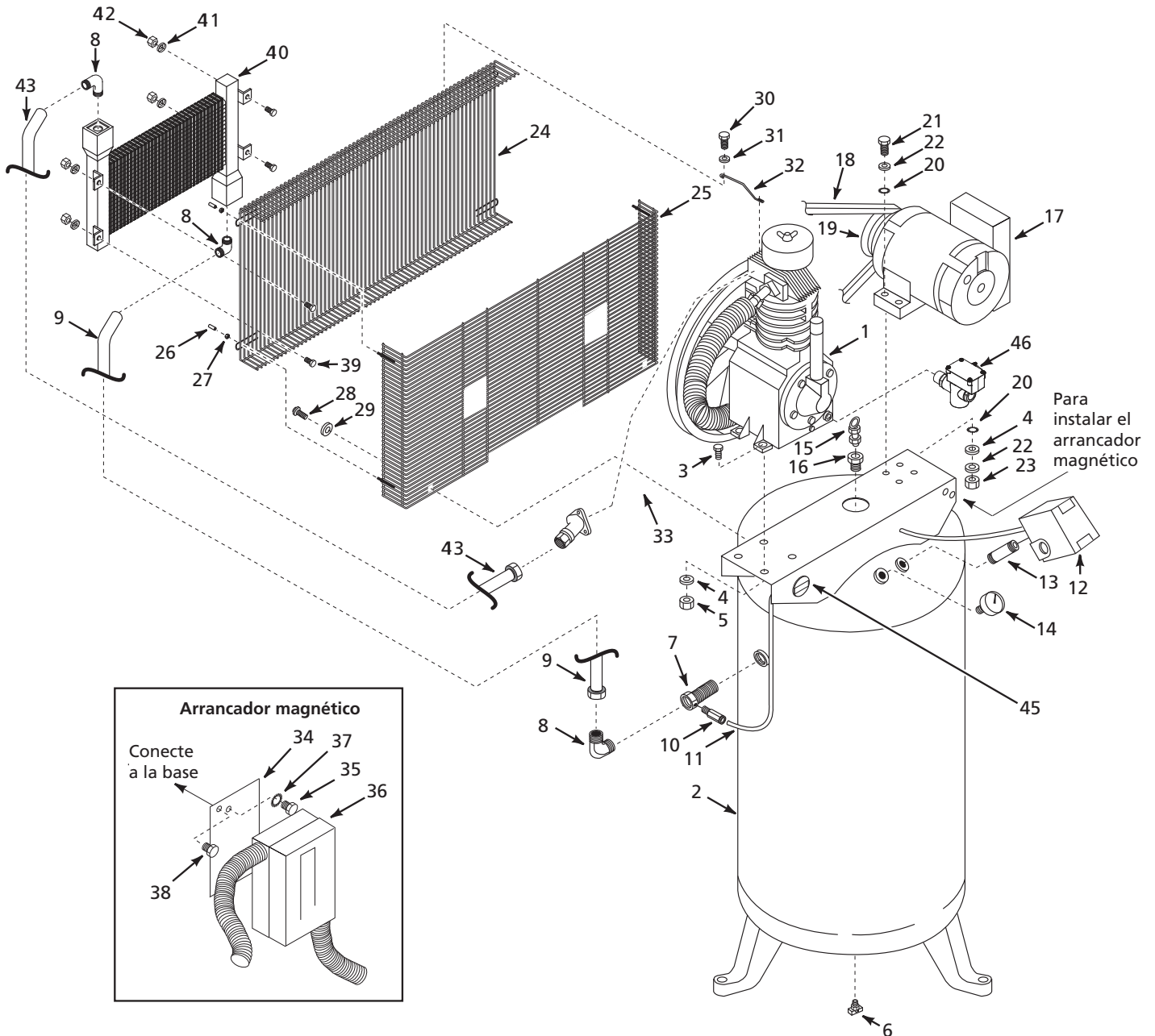
**Para Ordenar Repuestos o Asistencia Técnica, Sírvese Llamar al Distribuidor Más Cercano a Su Domicilio**

Sírvese proporcionar la siguiente información:

- Número de modelo
- Número de serie (si tiene)
- Descripción y número de la pieza como se muestra en la lista de repuestos

Dirija toda la correspondencia a:

Campbell Hausfeld  
Attn: Customer Service  
100 Production Drive  
Harrison, OH 45030 U.S.A.



**Figura 1 - Ilustración de las piezas de repuesto**

## Lista de piezas de repuesto

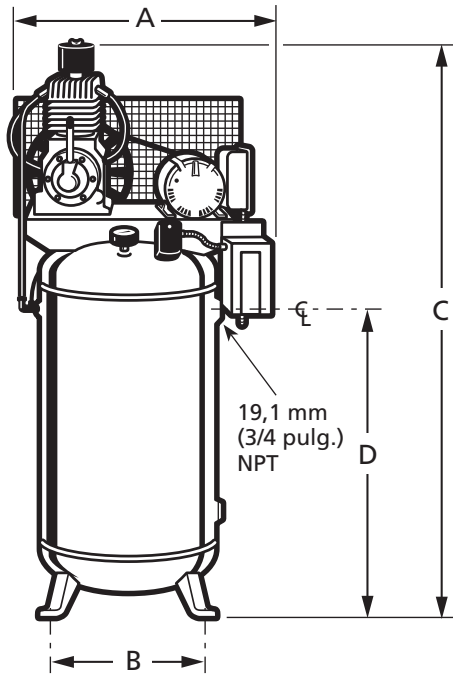
Nº. de Ref.	Descripción	CE700000FP CE700500FP	CE700100FP CE700600FP	CE705000FP CE705200FP	CE705100FP CE705300FP	Ctd.
1	Cabezal	◆	◆	◆	◆	1
2	Tanque vertical	AR234900CG	AR234900CG	AR234900CG	AR234900CG	1
	Tanque horizontal	AR235200CG	AR235200CG	AR235200CG	AR235200CG	1
3	Tornillo hex de 7/16-14 x 1-1/2	*	*	*	*	4
4	Arandela de 7/16 inch	ST070916AV	ST070916AV	ST070916AV	ST070916AV	8
5	Tuerca hex de 7/16-14 inch	*	*	*	*	4
6	Llave de drenaje de 3/8 inch NPT	ST127700AV	ST127700AV	ST127700AV	ST127700AV	1
7	Válvula de chequeo de 3/4 inch	CV003205AV	CV003205AV	CV003205AV	CV003205AV	1
8	Conexión de compresión de 90°	ST072231AV	ST072231AV	ST072231AV	ST072231AV	3
9	Post refrigerante al tubo del tanque (tanque horizontal)	CE001300AP	CE001300AP	CE001300AP	CE001300AP	1
	Post refrigerante al tubo del tanque (tanque vertical)	CE000500AP	CE000500AP	CE000500AP	CE000500AP	1
10	Conexión de compresión de 1/4 inch	ST011701AV	ST011701AV	ST011701AV	ST011701AV	1
11	Tubo de cobre	R-060600AP	R-060600AP	R-060600AP	R-060600AP	1
12 †	Presostato de 145/175	CW207561AV	CW207561AV	CW207561AV	CW207561AV	1
13	Niple para tuberías de 1/4-18 x 2-1/2 inch	ST070387AV	ST070387AV	ST070387AV	ST070387AV	1
14	Manómetro de 1/4 inch NPT, 300 bar	GA031901AV	GA031901AV	GA031901AV	GA031901AV	1
15	Válvula de seguridad	V-215200AV	V-215200AV	V-215200AV	V-215200AV	1
16	Manga reductora de 3/4 x 1/4 inch	ST071428AV	ST071428AV	ST071428AV	ST071428AV	1
17	Motor monofásico	MC025100AV	—	MC022393IP	—	1
	Motor trifásico	—	MC301500IP	—	MC022394IP	1
18	Banda	BT008500AV	BT008500AV	BT022000AV	BT022000AV	1
19	Polea	PU009750AV	PU009750AV	PU008003AV	PU008003AV	1
20	Arandela en forma de estrella 3/8 inch	ST072608AV	ST072608AV	ST072608AV	ST072608AV	2
21	Tornillo de 3/8-16 x 1-1/4 inch	*	*	*	*	4
22	Arandela de 3/8 inch	ST070914AV	ST070914AV	ST070914AV	ST070914AV	8
23	Tuerca de 3/8-16	ST033500AV	ST033500AV	ST033500AV	ST033500AV	4
24	Tapa de las bandas (frontal)	BG217000AV	BG217000AV	BG217000AV	BG217000AV	1
25	Tapa de las bandas (posterior)	BG217100AV	BG217100AV	BG217100AV	BG217100AV	1
26	Tapa de seguridad	ST075400AV	ST075400AV	ST075400AV	ST075400AV	5
27	Tuerca hex 10-24	ST116201AV	ST116201AV	ST116201AV	ST116201AV	5
28	Tornillo autoroscante de 5/16-12 x 3/4 inch	ST016500AV	ST016500AV	ST016500AV	ST016500AV	2
29	Arandela de 5/16 inch	ST011200AV	ST011200AV	ST011200AV	ST011200AV	2
30	Perno de 1/4-20 x 5/8 inch	ST074415AV	ST074415AV	ST074415AV	ST074415AV	1
31	Arandela de 1/4 inch	ST070910AV	ST070910AV	ST070910AV	ST070910AV	1
32	Abrazadera para las tapas de las bandas	TF063400AV	TF063400AV	TF063400AV	TF063400AV	1
33	Conexión	TF060402AJ	TF060402AJ	TF060402AJ	TF060402AJ	1
34	Base	BG215300AV	BG215300AV	BG215300AV	BG215300AV	1
35	Tornillo de 5/16-12 x 3/4 inch	ST016500AV	ST016500AV	ST016500AV	ST016500AV	2
36	Motor de arranque magnético (1 fase)	ST122010AJ	—	ST122001AJ	—	1
	Motor de arranque magnético (3 fase)	—	ST122011AJ	—	ST122003AJ	1
37	Arandela en forma de estrella 5/16 inch	ST146800AV	ST146800AV	ST146800AV	ST146800AV	2
38	Tornillo hex de 7/16-14 x 1-1/2 inch	ST074407AV	ST074407AV	ST074407AV	ST074407AV	4
39	Perno de carro 18 de 5/16 pulg. (7,9 mm)	ST071310AV	ST071310AV	ST071310AV	ST071310AV	4
40	Post refrigerante del protector de la correa M-15	CE000300AV	CE000300AV	CE000300AV	CE000300AV	1
41	Arandela plana de 5/16 pulg. (7,9 mm)	ST011200AV	ST011200AV	ST011200AV	ST011200AV	4
42	Tuerca de seguridad 18 de 5/16 pulg. (7,9 mm)	ST146001AV	ST146001AV	ST146001AV	ST146001AV	4
43	Tubo de escape al post refrigerante (tanque horizontal)	CE001400AP	CE001400AP	CE001400AP	CE001400AP	
	Tubo de escape al post refrigerante (tanque vertical)	CE000400AP	CE000400AP	CE000400AP	CE000400AP	1
44 △	Etiqueta de advertencia	DK747600AV	DK747600AV	DK747600AV	DK747600AV	1
45	Medidor de hora	CE001400AV	CE001400AV	CE001400AV	CE001400AV	1
46	Indicador de aceite bajo	TF062300AV	TF062300AV	TF062300AV	TF062300AV	1
47 △	Kit de conversión de 460 voltios	—	ZZ050600AJ	—	ZZ050300AJ	1

◆ Al colocar un pedido de piezas para la reparación de una bomba, vea la placa de identificación del compresor para el número del modelo exacto.

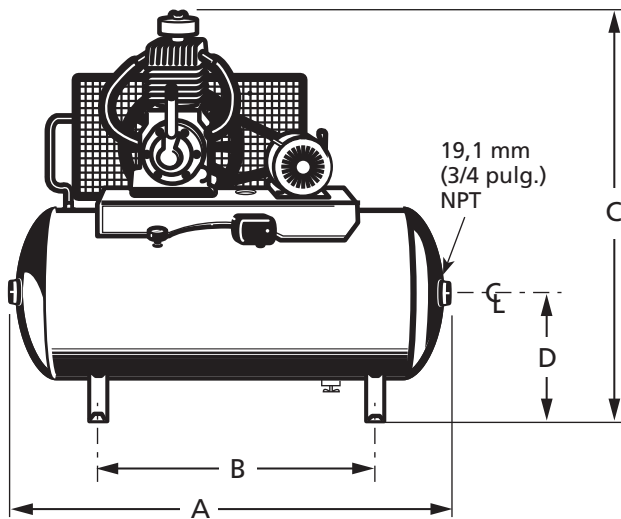
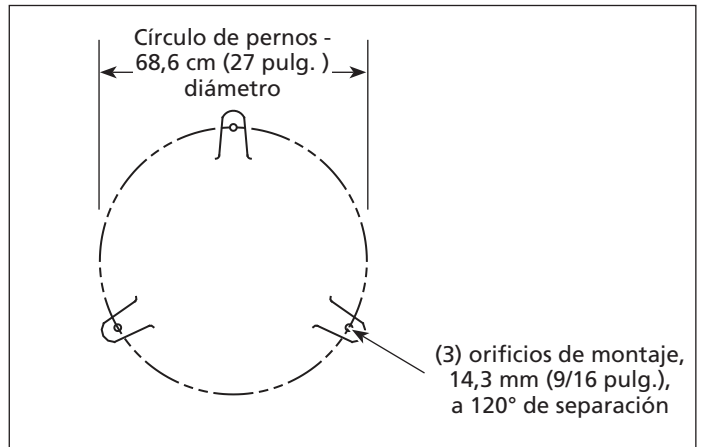
\* Artículo estándar de ferretería - disponible en su ferretería local.

† Válvula para el sistema de desfogue se vende por separado, Repuesto número CW000200AV.

△ No se muestra.



Clave	Descripción	Dim.
A	Ancho total	82,6 cm
B	Distancia después de apretar el perno (120° apart)	56,5 cm
C	Altura total	190,5 cm
D	Conexión del tanque a tierra	101,6 cm
E	Distancia total	64,8 cm



Clave	Descripción	Dim.
A	Ancho total	162,6 cm
B	Distancia después de apretar el perno	101,6 cm
C	Altura total	124,5 cm
D	Conexión del tanque a tierra	35,6 cm
E	△ Distancia después de apretar el perno	45,7 cm
F	△ Distancia total	52,1 cm

△ No se muestra