



# 8 Gallon Wall Mount Air Compressor

Operating Instructions and Parts Manual

**WL675000**



**FRANÇAISE: Page 23**

**ESPAÑOL: Página 45**

## Table of Contents

---

Description .....	3	Installation .....	11
Specifications .....	3	Operation .....	11
Safety Guidelines .....	4	Before First Start-Up	
Safety Symbols .....	4	Break-In Procedure .....	11
Important Safety Information .....	4	Before Each Start-Up	
Instructions Pertaining to a Risk of		Operating Procedure .....	11
Fire, Electric Shock, or Injury to		Start-Up .....	12
Persons .....	4	ON/OFF Cycling of Compressor .....	12
California Proposition 65 .....	4	Click-to-Set Regulator Knob .....	12
General .....	4	Recommended Uses for	
Work Area .....	4	this Compressor .....	13
Personal Safety .....	5	Tool Recommendation for	
Use and Care .....	5	this Compressor .....	13
Spraying Precautions .....	6	End of Operation/Storage .....	13
Service .....	6	Air Storage / Unit Expansion .....	14
Unpacking .....	6	Maintenance .....	15
Contents .....	6	Troubleshooting Guide .....	16
Additional Items Not Included .....	6	Service Record .....	17
Assembly .....	6	Replacement Parts List for 8 Gallon	
Glossary .....	7	Wall Mount Compressor .....	18
Getting To Know Your Wall Mount		Replacement Parts List for 8 Gallon	
Compressor Like A Pro .....	8	Wall Mount Compressor Pump .....	20
Features .....	8	Warranty .....	22
Mounting .....	9		

---

### For parts, product and service information

**Visit:** [www.chpower.com](http://www.chpower.com)

**Call :** Customer Service at 1-800-543-6400

**Address any correspondence to:**

Campbell Hausfeld  
Attn: Customer Service  
100 Production Drive  
Harrison, OH 45030 U.S.A.



# 8 Gallon Wall Mount Air Compressor



## Description

Air compressor units are intended to provide compressed air to power air tools and operate spray guns. Applications requiring air free of oil or water should have the appropriate filter installed. The air compressor unit must be mounted as described in the instructions. Any other use of these units will void the warranty and the manufacturer will not be responsible for problems or damages resulting from such misuse.



Figure 1 - WL675000

## Specifications

**Model WL675000**

**Tank Capacity:** 8 Gallons

**HP:** 1.7

**Volts:** 120V

**Amps:** 14.5

**Air Inlet:** 1/4 inch NPT

**Weight:** 68 lbs.

### Dimensions

**Length:** 18 inches

**Width:** 18 inches

**Height:** 35.5 inches

### Free Air CFM

**@ 90 psi:** 3.8

**@ 40 psi:** 5.6

Record the Model Number, Serial Number and date of purchase located on the unit in the space below.

Model No. **WL675000**

Serial No. \_\_\_\_\_

Date of purchase \_\_\_\_\_

Retain these numbers for future reference.

### Safety Guidelines

This manual contains information that is very important to know and understand. This information is provided for SAFETY and to PREVENT EQUIPMENT PROBLEMS. To help recognize this information, observe the following symbols.

**▲ DANGER** *Danger indicates an imminently hazardous situation which, if not avoided, WILL result in death or serious injury.*

**▲ WARNING** *Warning indicates a potentially hazardous situation which, if not avoided, COULD result in death or serious injury.*

**▲ CAUTION** *Caution indicates a potentially hazardous situation which, if not avoided, MAY result in minor or moderate injury.*

**NOTICE** *Notice indicates important information, that if not followed, may cause damage to equipment.*

### Safety Symbols

The following Safety Symbols appear throughout this manual to alert you to important safety hazards and precautions.



*Wear Eye and Mask Protection*



*Read Manual First*



*Risk of Personal Injury*



*Risk of Falling*



*Wear Eye Protection*



*Wear Hearing Protection*



*Risk of Fire*



*Risk of Explosion*



*Risk of Shock*

### Important Safety Information

#### INSTRUCTIONS PERTAINING TO A RISK OF FIRE, ELECTRIC SHOCK, OR INJURY TO PERSONS

This manual contains important safety, operational and maintenance information. If you have any questions, please call 1-800-543-6400 for customer assistance.

Since the air compressor and other components (material pump, spray guns, filters, lubricators, hoses, etc.) used, make up a high pressure pumping system, the following safety precautions must be observed at all times:

#### CALIFORNIA PROPOSITION 65

**▲ WARNING** *This product contains chemicals, including lead, known to the State of California to cause birth defects and other reproductive harm. Wash hands after handling.*

**▲ WARNING** *You can create dust when you cut, sand, drill or grind materials such as wood, paint, metal, concrete, cement, or other masonry. This dust often contains chemicals known to cause cancer, birth defects, or other reproductive harm. Wear protective gear.*



#### ▲ DANGER

#### Breathable Air Warning

This compressor / pump is not equipped and should not be used “as is” to supply breathing quality air. For any application of air for human consumption, the air compressor / pump will need to be fitted with suitable in-line safety and alarm equipment. This additional equipment is necessary to properly filter and purify the air to meet minimal specifications for Grade D breathing as described in Compressed Gas Association Commodity Specification G 7.1 - 1966, OSHA 29 CFR 1910. 134, and/or Canadian Standards Associations (CSA).

#### DISCLAIMER OF WARRANTIES

In the event the compressor is used for the purpose of breathing air application and proper in-line safety and alarm equipment is not simultaneously used, existing warranties shall be voided, and Campbell Hausfeld disclaims any liability whatsoever for any loss, personal injury or damage.

#### GENERAL

- To reduce the risks of electric shock, fire, and injury to persons, read all the instructions before using the unit. Failure to follow warnings, dangers, and cautions could result in DEATH or SERIOUS INJURY.
- Be thoroughly familiar with the controls and the proper use of the equipment. Follow all instructions. Contact your Campbell Hausfeld representative if you have any questions.
- Only persons well acquainted with these rules of safe operation should be allowed to use the unit.



**▲ CAUTION** *Do not make any modifications without first obtaining written approval from Campbell Hausfeld. Personal injury or damage may occur.*

- Follow all local safety codes as well as in the United States, the National Electrical Codes (NEC) and Occupational Safety and Health Act (OSHA).

#### WORK AREA

- Keep the work area clean and well lighted.** Cluttered benches and dark areas increase the risks of electric shock, fire, and injury to persons.
- Keep bystanders, children, and visitors away while operating.** Distractions are able to result in the loss of control.



**Important Safety Information (Continued)**

**PERSONAL SAFETY**

- a. **Stay alert. Watch what you are doing and use common sense when operating the unit. Do not use the unit while tired or under the influence of drugs, alcohol, or medication.** A moment of inattention while operating the unit increases the risk of injury to persons.
- b. **Dress properly. Do not wear loose clothing or jewelry. Contain long hair. Keep hair, clothing, and gloves away from moving parts.** Loose clothes, jewelry, or long hair increases the risk of injury to persons as a result of being caught in moving parts.

- c. **Do not overreach. Keep proper footing and balance at all times.** Proper footing and balance enables better control of the unit in unexpected situations.



- d. **Use safety equipment.** A dust mask, non-skid safety shoes and a hard hat must be used for the applicable conditions. Wear safety glasses and use hearing protection when operating the unit.



**WARNING** Ensuring that the unit is used only when the operator and all other personnel in the work area are wearing ANSI Z87 eye protection equipment, and when required, other appropriate protection equipment such as head, hearing and foot protection equipment. Serious eye or permanent hearing loss could result.



**USE AND CARE**

- a. **Do not stand on or use the unit as a handhold.**
- b. **Always work in a well-ventilated area. Wear OSHA-approved dust mask.**
- c. **Do not remove any labels from the unit.**

**WARNING** Never use plastic (PVC) pipe for compressed air. Serious injury or death could result.



**NOTICE** Drain tank every day to prevent corrosion and possible injury due to tank damage. Risk of bursting.

- d. **Tanks rust from moisture build-up, which weakens the tank.** Make sure to drain tank regularly and inspect periodically for unsafe conditions such as rust formation and corrosion.
- e. **Fast moving air will stir up dust and debris which may be harmful.** Release air slowly when draining moisture or depressurizing the compressor system.

**DANGER** Never fill the tank above 150 psi. Personal injury or property damage could occur.

**DANGER** Never fill from bottled gas or any air system which produces over 150 psi.

- f. **Do not alter or tamper with the safety relief valve.** In the event that the safety relief valve is tampered with, existing warranties shall be voided and Campbell Hausfeld disclaims any liability whatsoever for any loss, personal injury or damage.

**DANGER** NEVER attempt to repair or modify a tank. Welding, drilling or any other modification will weaken the tank resulting in damage from rupture or explosion. Always replace worn, damaged or cracked tanks.

- g. **Release air pressure from air tank by pulling safety relief ring before servicing or replacing parts.**

**WARNING** Safety glasses must be worn during operation.



- h. **For dry air only.** Do not use to store or disperse liquids or flammable gases.
- i. **Store inside.** Do not store outside or in direct sunlight.
- j. **Only use attachments rated at 150 psi minimum.**
- k. **Check air hoses for weak or worn condition before each use.** Make sure all connections are secure. Check all fasteners at frequent intervals for proper tightness.
- l. **Before each use, inspect compressed air system and electrical components for signs of damage, deterioration, weakness or leakage.** Repair or replace defective items before using.

**WARNING** Motors, electrical equipment and controls can cause electrical arcs that will ignite a flammable gas or vapor. Never operate or repair in or near a flammable gas or vapor. Never store flammable liquids or gases in the vicinity of the compressor.



**CAUTION** Compressor parts may be hot even if the unit is stopped.



- m. **If the equipment should start to vibrate abnormally, STOP the engine/motor and check immediately for the cause.** Vibration is generally a warning of trouble.

**WARNING** An ASME code safety relief valve with a setting no higher than 165 psi MUST be installed in the tank for this compressor. The ASME safety valve must have sufficient flow and pressure ratings to protect the pressurized components from bursting.

**CAUTION** See compressor specification decal for maximum operating pressure. Do not operate with pressure switch or pilot valves set higher than the maximum operating pressure.

**WARNING** To avoid injury or damage, always relieve pressure from tank BEFORE removing threaded fittings.

## Important Safety Information (Continued)

### SPRAYING PRECAUTIONS

**▲ WARNING** Do not spray flammable materials in vicinity of open flame or near ignition sources including the compressor unit.



- Do not smoke when spraying paint, insecticides, or other flammable substances.
- Use a face mask / respirator when spraying and spray in a well ventilated area to prevent health and fire hazards.
- Do not direct paint or other sprayed material at the compressor. Locate compressor as far away from the spraying area as possible to minimize overspray accumulation on the compressor.
- When spraying or cleaning with solvents or toxic chemicals, follow the instructions provided by the chemical manufacturer.



### SERVICE

Service must be performed only by qualified repair personnel.

**NOTE:** The DANGER, WARNING, CAUTION, and NOTICE notifications and instructions in this manual cannot cover all possible conditions and situations that may occur. It must be understood by the operator that common sense and caution are factors which cannot be built into this product, but must be supplied by the operator.

**SAVE THESE INSTRUCTIONS  
DO NOT DISCARD**

## Unpacking

After unpacking the unit, inspect carefully for any damage that may have occurred during transit. Check for loose, missing or damaged parts. Make sure to tighten fittings, bolts, etc., before putting unit into service. Check to be sure all supplied accessories are enclosed with the unit. In case of questions, damaged or missing parts, please call 1-800-543-6400 for customer assistance.

### CONTENTS

- ◆ Wall Mount Compressor
- ◆ Vibration Isolators (8)
- ◆ Wall Mounting Brackets (2)
- ◆ Mounting Bracket Cap
- ◆ Lag Screws (4)
- ◆ Operating Instructions
- ◆ Product Registration Card

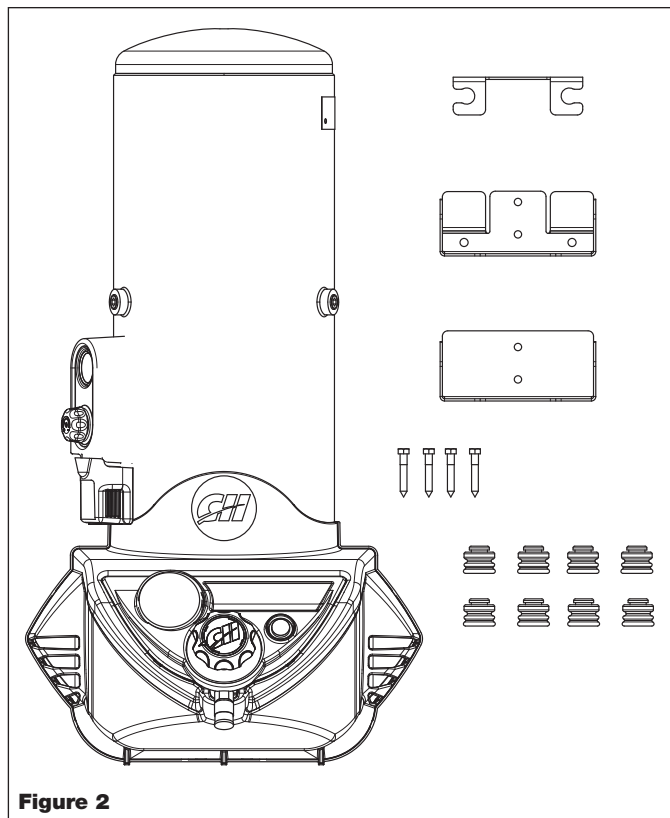


Figure 2

### ADDITIONAL ITEMS NOT INCLUDED

- ◆ ANSI Z87 eye protection
- ◆ Hearing protection and other personal protective equipment as required

## Assembly

This Wall Mount Compressor comes fully assembled. See Mounting section for guidelines on mounting the compressor to the wall.

## Glossary

Become familiar with these terms before operating the unit.

**ASME SAFETY VALVE\*** — This valve automatically releases air if the tank pressure exceeds the preset maximum.

**AIR INLET** — The opening in which the compressed air supply is connected, usually by means of a threaded fitting.

**CHECK VALVE** — One-way valve that allows air to enter the tank, but prevents air in the tank from flowing back into the compressor pump.

**MAXIMUM AIR PRESSURE** — The maximum allowable pressure of compressed air, as specified by the manufacture, for operating the tool.

**PRESSURE SWITCH** — When the On / Off switch is in the “ON” position the pressure switch will automatically turn on and shut off the pump / motor when it reaches maximum pressure. Once the unit shuts off you may hear a small his sound or air leak. This is normal. It is caused by the compressor unloading the remaining high pressure from the pump head. It may last several seconds before it stops. When the tank pressure drops below the minimum preset pressure the pressure switch automatically turns the pump / motor back on to refill the tank.

**ON/OFF SWITCH** — This unit is equipped with an illuminated On / Off switch. In the “ON” position the button will be depressed and the switch will light up. The switch will remain lit as long as the button is depressed and there is power to the unit. The pressure switch will automatically turn the pump / motor on or off based on the pressure inside the tank. If the unit is unplugged the light will not be on. In the “OFF” position the switch will not be depressed and the light will not be on.

**PSI (POUNDS PER SQUARE INCH)** — Measurement of the pressure exerted by the force of the air. The actual psi output is measured by a pressure gauge on the compressor.

**QUICK COUPLER** — A quick coupler is designed to work in combination with a quick plug to quickly and easily join a pneumatic tool to an air hose.

**QUICK PLUG** — A quick plug is designed to work in combination with a quick coupler to quickly and easily join a pneumatic tool to an air hose.

**OUTLET GAUGE** — Indicates amount of air pressure in hose used to operate tools. This pressure is increased or decreased by the regulator.

**REGULATOR KNOB** — A device used to control air pressure to an air operated tool. The regulator controls the amount of air pressure at the hose outlet. Turning regulator knob clockwise (to the right) will increase air pressure at the outlet. Turning knob counterclockwise (to the left) will lower air pressure to the outlet. Turning knob fully counterclockwise will shut off flow of air completely.

**THREAD LOCK GLUE** — A locking glue that is applied to the screw threads before installing. Prevents the screws from working loose during tool operation.

**TANK PRESSURE GAUGE** — Indicates amount of air pressure stored in tank.

**TANK DRAIN VALVE** — This valve is located on the side of the tank. Use this valve to drain moisture from the tank daily to reduce the risk of corrosion.

\* ASME: American Society of Mechanical Engineers. ASME tanks are manufactured to ASME requirements.

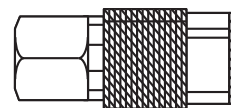


Figure 3 - Quick Coupler

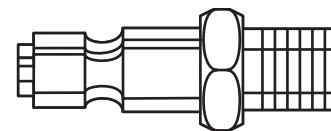


Figure 4 - Quick Plug

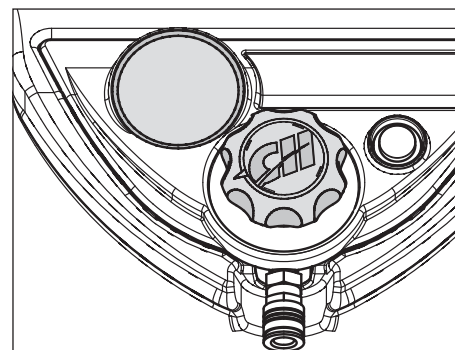


Figure 5 - Outlet Gauge and Regulator Knob

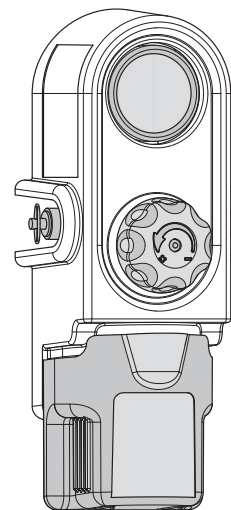


Figure 6 - Tank Pressure Gauge, Tank Drain System, and Safety Valve

**Getting To Know Your Wall Mount Air Compressor Like A Pro**

**Features**

**SAFETY VALVE**

This valve automatically releases air if the tank pressure exceeds the preset maximum.

**WALL MOUNTING BRACKETS**

The wall mounting brackets are used for attaching the tank to the wall. This part of the product is permanently affixed to the wall using the included lag screws.

**VIBRATION ISOLATORS**

The vibration isolators prevent the vibrations created by the compressor from transferring to the wall where the unit is mounted.

**COUPLER**

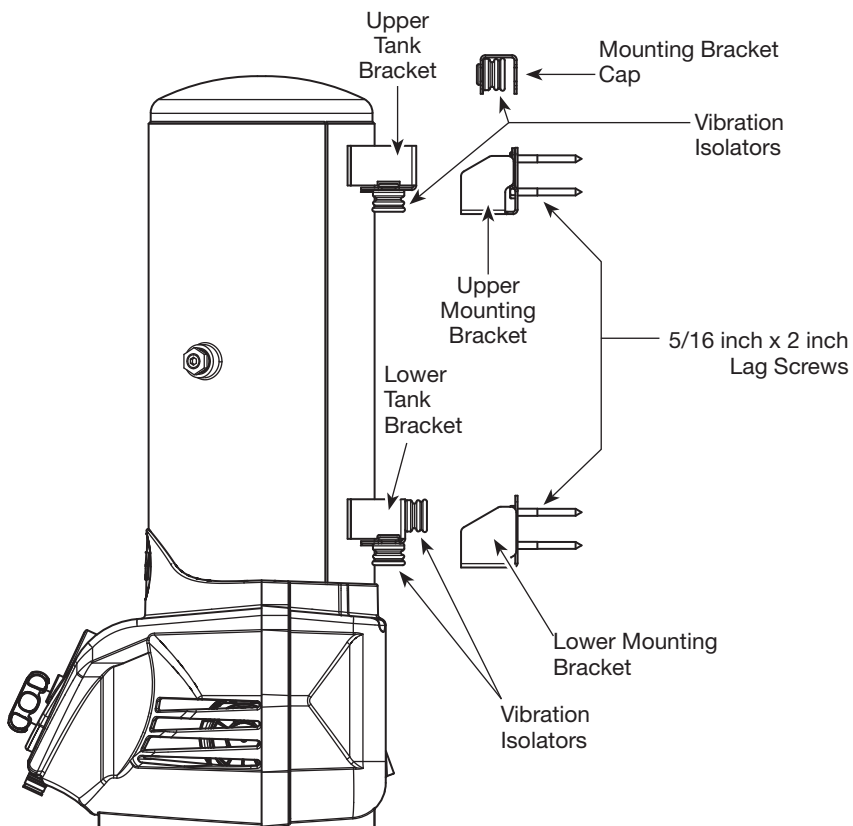
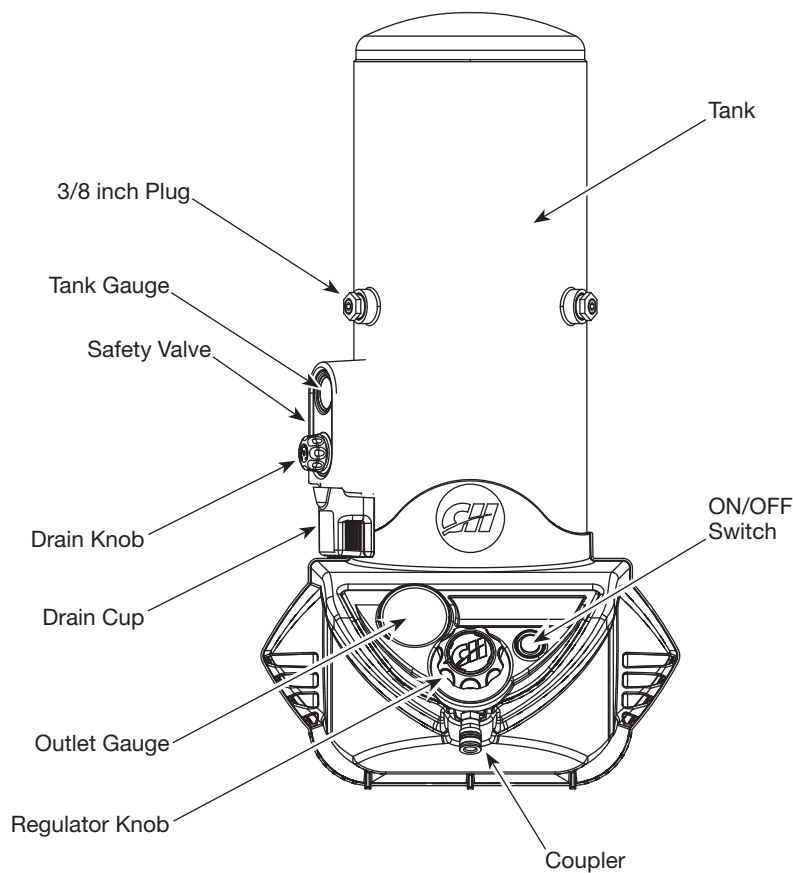
The quick-connect coupler is used to attach an air hose between the compressor and tools.

**DRAIN CUP**

The drain cup collects water drained from the tank. This allows for easy disposal of excess moisture in the tank.

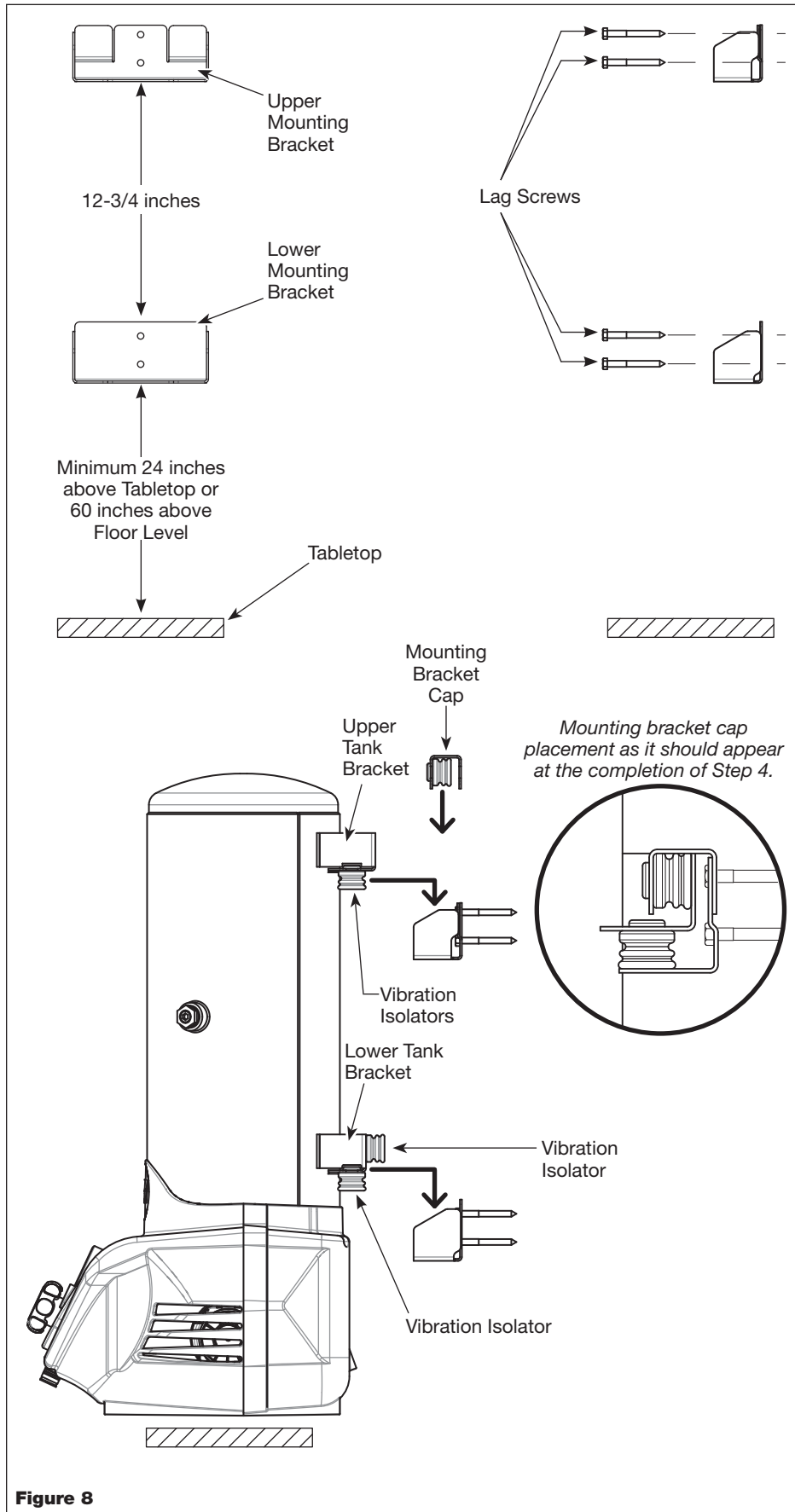
**DRAIN KNOB**

The drain knob controls the draining process - a convenient means of removing moisture from the tank.



**Figure 7 - Components of the Wall Mount Compressor**

**Mounting**



**Figure 8**

**TOOLS NEEDED:**

- Level
- Stud Finder
- Tape Measure
- Drill
- 7/32 inch Drill Bit
- 1/2 inch Wrench or 1/2 inch Socket and Ratchet or 1/2 inch Nut Driver
- Pencil

**⚠ WARNING** *IT IS HIGHLY RECOMMENDED THAT TWO PEOPLE WORK TOGETHER TO LIFT THE AIR COMPRESSOR ONTO THE BRACKETS ON THE WALL.*

Establish where you plan to mount the compressor. We recommend the bottom of the unit should be placed at least 12 inches above any tabletop surface or 48 inches above the floor. The compressor must be securely fastened to a wooden stud or to masonry. **DO NOT** use drywall anchors.

Make sure that the area in which you plan to hang the unit is near a grounded outlet that the power cord can reach **WITHOUT** the use of an extension cord.

**REFER TO ELECTRICAL DATA ON PAGE 11 FOR MORE INFORMATION.**

**INSTRUCTIONS FOR A STUD WALL COVERED IN 3/8 INCH TO 1/2 INCH DRYWALL PLASTER**

This unit has 5/16 inch x 2 inch lag screws included. These are intended to be used to mount the compressor to a stud wall with 3/8 inch to 1/2 inch drywall or plaster.

**STEP 1 - Securing the Lower Mounting Bracket to the Wall**

Use the stud finder to determine the center of the wooden stud where you intend to mount the compressor. Place the lower mounting bracket so that the two holes line up with the center of the stud.

The bottom of the lower mounting bracket should be 24 inches above the tabletop surface or 60 inches off of the floor depending on where you have chosen to place your compressor. Use the level to ensure that the lower mounting bracket is level. Mark the two holes onto the wall with the pencil.

These marks will be used as a guide to drill the holes for the lag screws. Use the drill and 7/32 inch drill bit to drill the two holes for the lag screws on the marks that were just made. These holes should be drilled approximately 2 inches deep.



**Mounting (Continued)**

Affix the lower mounting bracket to the wall using 2 of the lag screws that were included in the box. Use the 1/2 inch wrench or 1/2 inch socket and ratchet or 1/2 inch nut driver to tighten the lag screws. Recheck the lower mounting bracket with the level to ensure it is installed level

**STEP 2 - Securing the Upper Mounting Bracket to the Wall**

Use the level to determine the center of the stud above the lower mounting bracket. Use the tape measure to measure up 12-3/4 inches along the center of the stud from the top center of the lower mounting bracket. Use the pencil to place a horizontal mark on the wall at the center of the stud at 12-3/4 inches. Place the bottom of the upper mounting bracket on the mark and use the level to ensure the bracket is level and centered in the stud with the lower mounting bracket.

Mark the two holes onto the wall with the pencil. These marks will be used as a guide to drill the holes for the lag screws. Use the drill and 7/32 inch drill bit to drill the two holes for the lag screws on the marks that were just made. These holes should be drilled approximately 2 inches deep. Affix the upper mounting bracket to the wall using 2 of the lag screws that were included in the box. Use the 1/2 inch wrench or 1/2 inch socket and ratchet or 1/2 inch nut driver to tighten the lag screws. Recheck the upper mounting bracket with the level to ensure it is installed level and inline with the lower mounting bracket.

**STEP 3 - Installing the Vibration Isolators**

Locate the lower tank bracket on the air compressor. Slide four vibration isolators onto the lower tank bracket as shown in Figure 9 (A). Locate the upper tank bracket on the air compressor. Slide two vibration isolators onto the upper tank bracket as shown in Figure 9 (B). Locate the mounting bracket cap. Slide two vibration isolators onto the mounting bracket cap as shown in Figure 9 (C).

**STEP 4 - Lifting the Air Compressor onto the Brackets on the Wall**

**⚠ WARNING** *IT IS HIGHLY RECOMMENDED THAT TWO PEOPLE WORK TOGETHER TO LIFT THE AIR COMPRESSOR ONTO THE BRACKETS ON THE WALL.*

Remove the drain cup from the Easy Drain System.

Lift the wall mount compressor above the wall mount brackets as shown in Figure 10. Then set the unit straight down onto the brackets. If this is not performed properly the vibration isolators may not clear the brackets resulting in them becoming dislodged as shown in Figure 10. If the vibration isolators do become dislodged they will need to be replaced before installation can continue.

Once the unit is sitting firmly on the wall brackets slide the mounting bracket cap down over the top of the upper mounting bracket and the upper tank bracket as shown in Figure 8. Be certain the mounting bracket cap clamps the upper tank bracket securely to the upper mounting bracket before you let go of the wall mount compressor or the compressor may fall causing damage or injury.

Replace the drain cup onto the Easy Drain System.

**INSTRUCTIONS FOR A MASONRY WALL**

You will need to purchase the mounting hardware required for concrete or masonry installations separately. It is recommended that you use a 5/16 inch diameter by 2-1/2 inch long sleeve style anchor or an anchor system that is 5/16 inches in diameter. Follow the instructions provided with the hardware to determine the proper installation of those fasteners. Use the instructions for mounting to a stud wall as a guide for anchor placement.

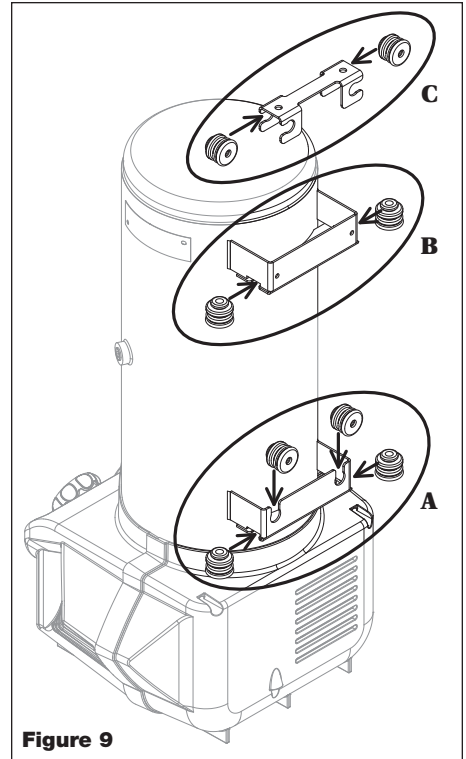


Figure 9

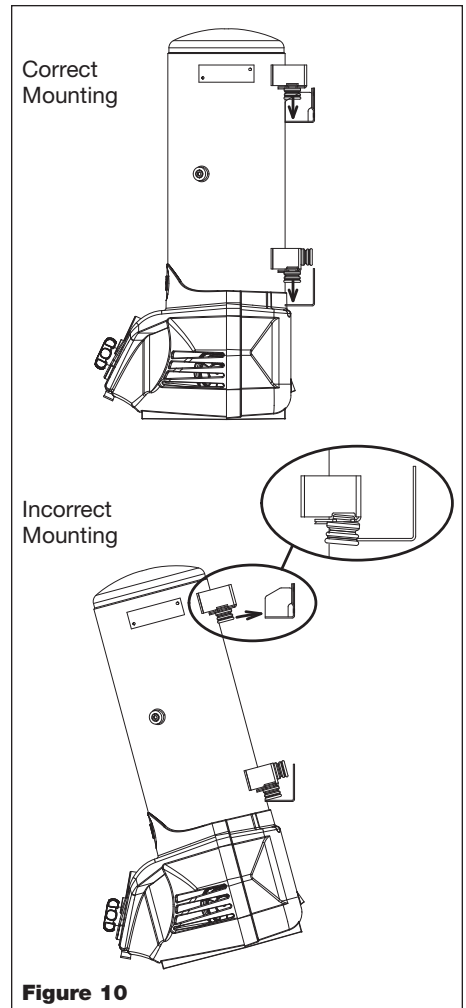


Figure 10

## Installation

### ELECTRICAL DATA

**⚠ CAUTION** *Overheating, short-circuiting and fire damage will result from inadequate wiring.*



Check motor data plate voltage compatibility. The cord must only plug into a grounded outlet and may require a new cord and plug that complies to national requirements and local codes for your area.

### GROUNDING INSTRUCTIONS

This product must be grounded. In the event of an electric short circuit, grounding reduces the risk of electrical shock by providing an escape wire for the electric current. Unit is equipped with a cord that has a grounding prong.

**⚠ DANGER** *Improper use of grounding plug can result in a risk of electrical shock.*

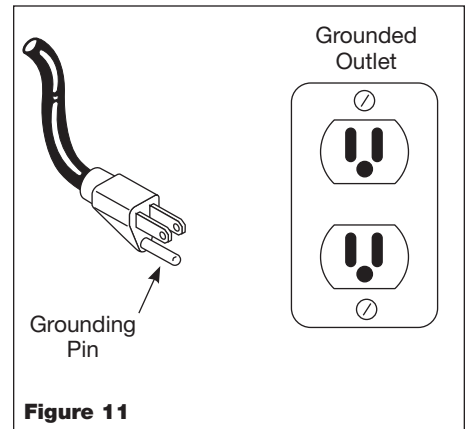


Figure 11

**NOTE:** Do not use grounding adapter.

**⚠ WARNING** *When converting to an alternate voltage, be sure the green ground wire of the cord connects to the ground pin of the plug and to the metal body of the pressure switch.*



## Operation

### MOISTURE IN COMPRESSED AIR

Moisture in compressed air will form into droplets as it comes from an air compressor pump. When humidity is high or when a compressor is in continuous use for an extended period of time, this moisture will collect in the tank. When using a paint spray or sandblast gun, this water will be carried from the tank through the hose, and out of the gun as droplets mixed with the spray material.

**IMPORTANT:** This condensation will cause water spots in a paint job, especially when spraying other than water based paints. If sandblasting, it will cause the sand to cake and clog the gun, rendering it ineffective.

A filter in the air line, located as near to the gun as possible, will help eliminate this moisture.

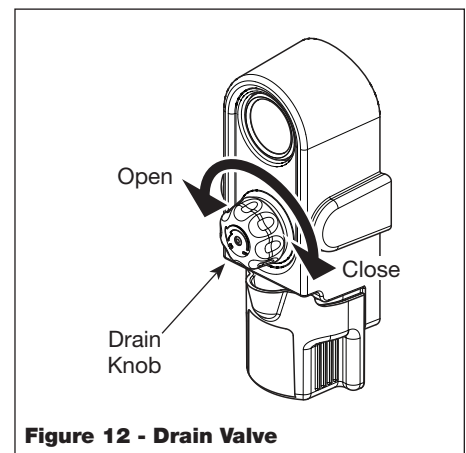


Figure 12 - Drain Valve

### BEFORE FIRST START-UP BREAK-IN PROCEDURE

Complete this procedure before using compressor for the first time. Once completed, it is not necessary to repeat.

1. Ensure ON/OFF switch is in the "OFF" position. Open drain valve on side of tank by turning drain knob counter-clockwise.
2. Plug in power cord.
3. Press ON/OFF switch and run compressor for 30 minutes.
4. Press ON/OFF switch to turn unit off.
5. Close drain valve on side of tank.

The compressor is now ready for use.

### BEFORE EACH START-UP OPERATING PROCEDURE

1. Turn regulator knob fully counterclockwise (to the left) to close air flow.
2. Connect air hose to outlet of regulator.
3. Press ON/OFF and let compressor run until it reaches automatic shutoff pressure.
4. Attach tire chuck or tool to end of hose.
5. Turn regulator knob clockwise (to the right) to desired pressure of tool being used.

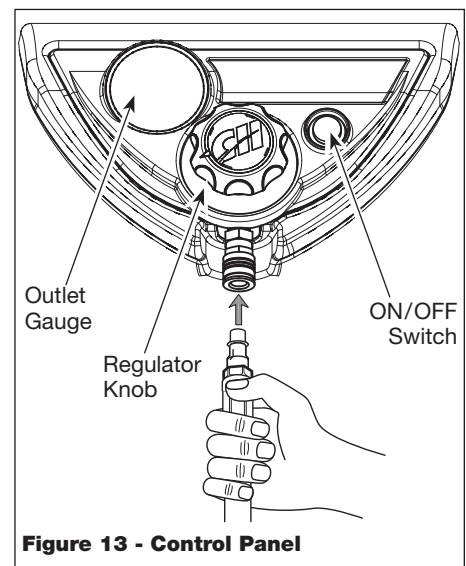


Figure 13 - Control Panel

## Operation (Continued)

### START-UP

**▲ CAUTION** *Pull safety relief valve before filling to be sure the valve moves freely.*

**▲ WARNING** *The tank manifold gauge does not indicate the pressure in the object being filled. Use a separate gauge to check the object.*

### ON/OFF CYCLING OF COMPRESSOR

In the ON position, the compressor pumps air into the tank. When a shut-off (preset “cut-out”) pressure is reached, the compressor automatically shuts off.

If the compressor is left in the ON position and air is depleted from the tank by use of a tire chuck, tool, etc., the compressor will restart automatically at its preset “cut-in” pressure. When a tool is being used continuously, the compressor will cycle on and off automatically.

In the OFF position, the pressure switch cannot function and the compressor will not operate. Make sure switch is in OFF position when connecting or disconnecting power cord from electrical outlet.

### CLICK-TO-SET REGULATOR KNOB

- ◆ This knob controls air pressure to an air operated tool, or paint spray gun.
- ◆ Turning knob clockwise increases air pressure at outlet.
- ◆ Turning counterclockwise will lower air pressure at outlet.
- ◆ Fully counterclockwise will shut off flow of air completely.

This regulator knob is designed to rotate approximately 270 degrees for all feature settings. If the knob is rotated past minimum operation setting (counterclockwise), the knob will no longer “click” as designed to indicate that the regulator has been placed in a specific setting. The outlet pressure will read zero (0 psi) once the knob is at the minimum operation setting. Continuous turning of the regulator knob past minimum operation setting (counterclockwise) could result in the regulator knob coming loose and detaching.

**▲ WARNING** *If outlet pressure gauge is at zero (0) psi, DO NOT turn knob counterclockwise.*

**▲ WARNING** *If regulator knob is turned and a “click” is no longer heard, DO NOT turn knob counterclockwise.*

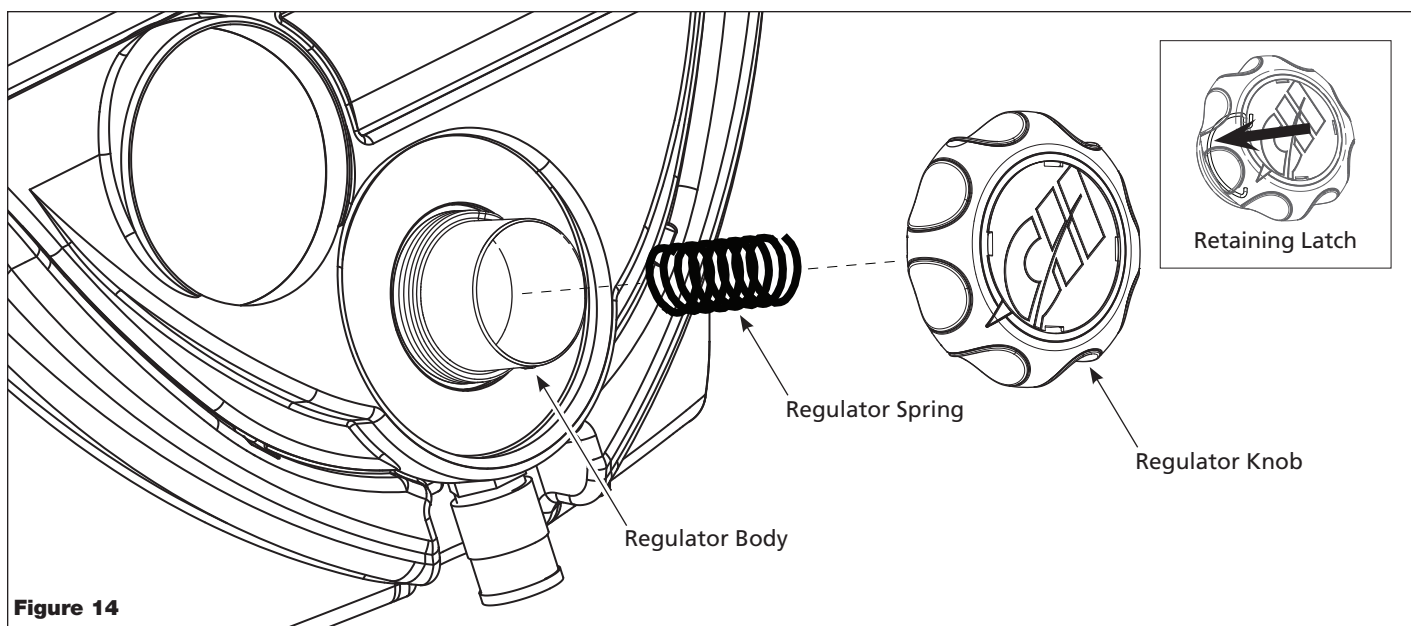


Figure 14

## Operation (Continued)

### RECOMMENDED USES FOR THIS COMPRESSOR

- ◆ Auto maintenance
- ◆ Auto restoration
- ◆ Fastening
- ◆ Home maintenance
- ◆ Inflation
- ◆ Woodworking

### TOOL RECOMMENDATION FOR THIS COMPRESSOR

#### Continuous Use —

- Inflation accessories
- Airbrush
- Air screwdrivers
- Brad nailers and Staplers
- Caulk guns
- Engine cleaners
- Finish nailers
- Grease guns
- Home spray guns
- Impact wrench
- Ratchets
- Reciprocating saws
- Roofing and Framing nailers

#### Intermittent Use (Short powerful bursts) —

- Air chisels
- Air drills
- Automotive spray guns
- Die grinders

#### Tools Not Recommended —

- Cut-off tools
- Dual action sanders
- Highspeed sanders
- Jitterbug sanders
- Straight line sanders

### END OF OPERATION/STORAGE

1. Turn unit OFF.
2. Unplug power cord from wall outlet to prevent damage when not in use.
3. Wearing safety glasses, deplete tank of air by pulling the ring on the safety valve. Use other hand to deflect fast moving air from being directed toward your face.
4. Drain tank of condensation by opening drain valve on side of tank.
5. Air hose should be disconnected from compressor and hung open ends down to allow any moisture to drain.
6. Compressor and hose should be stored in a cool, dry place.



Figure 15



Figure 16



Figure 17

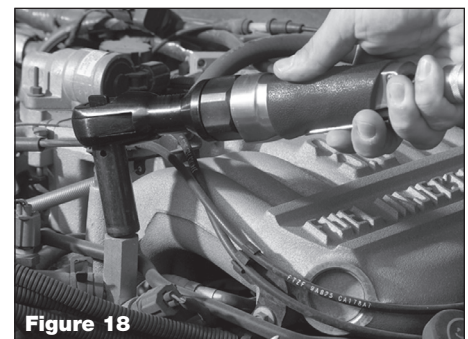


Figure 18



Figure 19



## Air Storage/Unit Expansion

### CONNECTING THE WALL MOUNT AIR COMPRESSOR UNIT TO THE 8 GALLON 2-IN-1 TANK (ET200000)

**▲ WARNING** *Relieve all pressure from the Wall Mount Air Compressor BEFORE removing any fittings or plugs from the unit.*

Unplug the wall mount air compressor. Open the easy tank drain valve by turning the knob fully counterclockwise to relieve all pressure from the air compressor. Check tank gauge to ensure the psi inside the tank is zero (0).

Remove the 3/8 inch plug from the threaded fitting of the wall mount air compressor using a 5/16 inch hex wrench. If the tank will be located on the left side of the wall mount air compressor, remove the plug from the left side of the tank. If the tank will be located on the right side of the wall mount air compressor, remove the plug of the right side of the tank. Remove the double check plug from the double check coupler located at the end of the double check valve assembly of the 2-in-1 tank. Insert the double check plug into the threaded opening that you just removed the 3/8 inch plug from. Tighten the double check plug with an 11/16 inch wrench. Complete the connection by reattaching the double check coupler onto the newly installed double check plug. When this connection is made air will automatically flow from the wall mount air compressor tank into the 2-in-1 tank. This will allow the 2-in-1 tank to become pressurized.

Close the easy tank drain valve by turning the knob fully clockwise. Plug in the wall mount air compressor and turn the power on. The wall mount air compressor tank and the 2-in-1 tank should both begin to pressurize. Once the pressure reaches the preset maximum the compressor will automatically shut off. The 2-in-1 tank is now ready for use. With the 2-in-1 tank connected to the wall mount air compressor the volume of stored air in your system will be increased. The 2-in-1 tank can also be disconnected from the wall mount air compressor to be utilized as a portable air tank.



Figure 20 - Easy to expand

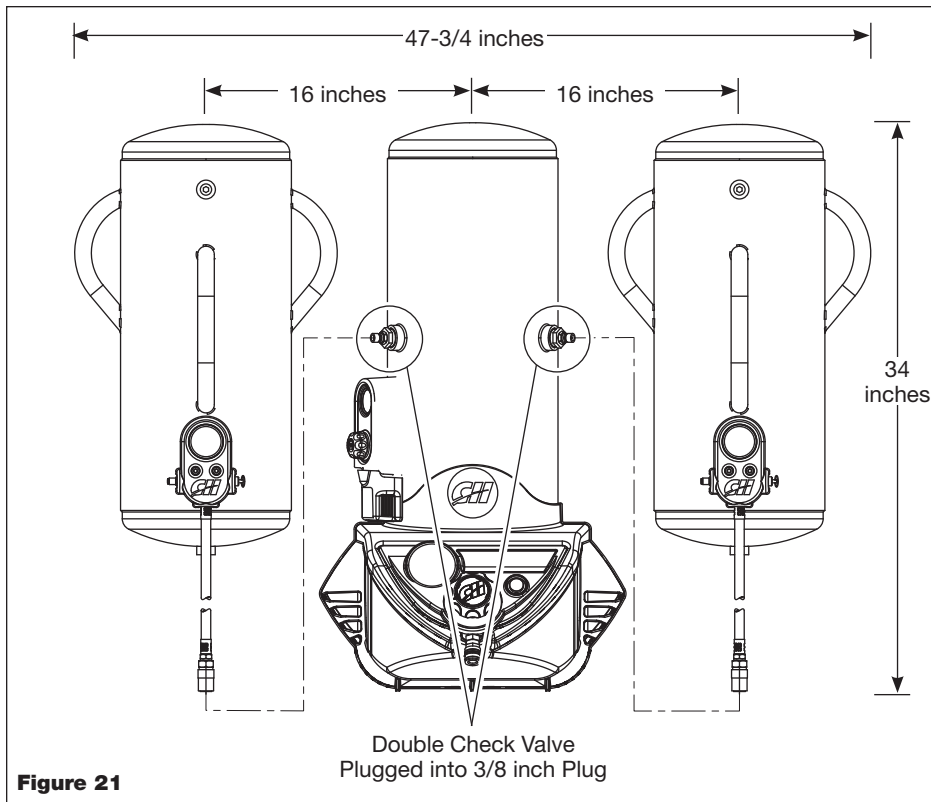


Figure 21

<b>EXPANDABLE</b>

<b>8 GALLONS</b> Inflation and Fastening

<b>16 GALLONS</b> Inflation, Fastening, and Tire Maintenance

<b>24 GALLONS</b> Inflation, Fastening, Tire Maintenance, and Painting
<b>Table 1</b>



**Maintenance**

**⚠ WARNING** *Disconnect, tag and lock out power source, then release all pressure from the system before attempting to install, service, relocate or perform any maintenance.*



All repairs should be performed by an authorized service representative.

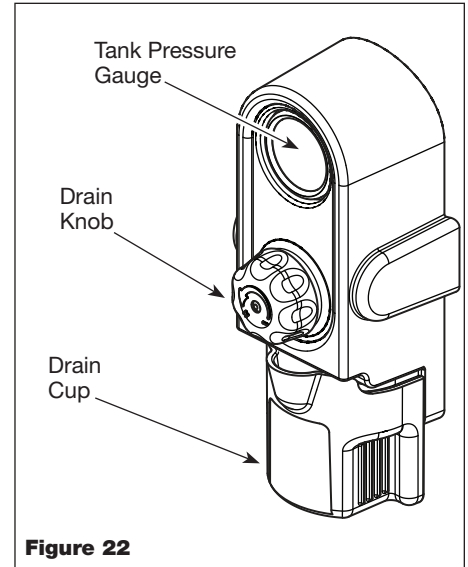
For efficient operation, perform the following test weekly to verify free operation of the safety valve and follow maintenance schedule.

**Tank Drain**

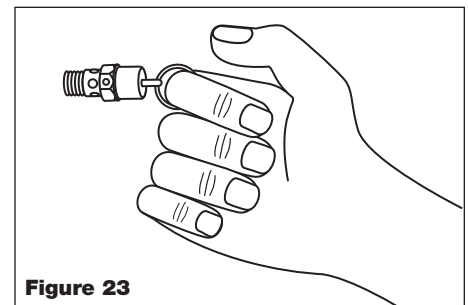
1. Turn compressor OFF.
2. Refer to tank pressure gauge to check air pressure in tank. To properly drain tank of condensation, tank pressure should be between 20 psi - 60 psi. Drain system will not work if there is no pressure in the tank. If tank pressure is above 60 psi, drain tank by pulling the ring on the safety valve. The safety valve should release air and then automatically close at approximately 40 psi - 50 psi.
3. Slowly turn easy drain knob, located below the tank gauge, to the left (counter-clockwise) until fluid begins to fill drain cup. Watch draining to make sure drain cup does not overflow. If there is a lot of fluid in the tank, you may need to close drain knob by turning fully to the right (clockwise), then remove the drain cup to dispose of fluid.
4. When fluid stops draining, close drain by turning the knob all the way to the right (clockwise).
5. Lift cup up and pull out to dispose of drained fluid. Reinsert cup, making sure to secure in place.

**Safety Valve**

1. Plug in the compressor and run until shut off pressure is reached (see Operating Procedure).
2. Wearing safety glasses, pull the ring on the safety valve to release pressure from compressor tank. Protect yourself from fast-moving air being released; do not allow fast-moving air to be directed toward your face (See Figure 23).
3. The safety valve should automatically close at approximately 40 psi - 50 psi. If the safety valve does not allow air to be released when you pull on the ring, or if it does not close automatically, it MUST be replaced.



**Figure 22**



**Figure 23**

**TECHNICAL SERVICE**

For information regarding the operation or repair of this product, please call 1-800-543-6400.

<b>MAINTENANCE SCHEDULE</b>			
<b>OPERATION</b>	<b>DAILY</b>	<b>WEEKLY</b>	<b>MONTHLY</b>
DRAIN TANK	●		
CHECK SAFETY VALVE		●	
CLEAN UNIT			●

**Troubleshooting Guide**

**⚠ WARNING**

*Stop using unit immediately if any of the following problems occur. Serious personal injury could result. Any repairs or replacements must be done by a Qualified Service Person or Authorized Service Center.*

SYMPTOM	POSSIBLE CAUSE(S)	CORRECTIVE ACTION
Compressor will not run	<ol style="list-style-type: none"> <li>Unit is plugged into extension cord</li> <li>No electrical power</li> <li>Breaker open</li> <li>Thermal overload open</li> <li>Pressure switch bad</li> </ol>	<ol style="list-style-type: none"> <li>Remove extension cord</li> <li>Plugged in? Check fuse/breaker or motor overload</li> <li>Reset, determining why problem happened</li> <li>Allow motor to cool 30 minutes by unplugging the unit.</li> <li>Replace</li> </ol>
Motor hums but cannot run or runs slowly	<ol style="list-style-type: none"> <li>Low voltage</li> <li>Unit is plugged into extension cord</li> <li>Shorted or open motor winding</li> <li>Defective check valve or unloader</li> </ol>	<ol style="list-style-type: none"> <li>Check with voltmeter</li> <li>Remove extension cord</li> <li>Replace motor</li> <li>Replace or repair</li> </ol>
Fuses blow/circuit breaker trips repeatedly	<ol style="list-style-type: none"> <li>Incorrect size fuse, circuit overloaded</li> <li>Unit is plugged into extension cord</li> <li>Defective check valve or unloader</li> </ol>	<ol style="list-style-type: none"> <li>Check for proper fuse, use time-delay fuse. Disconnect other electrical appliances from circuit or operate compressor on its own branch circuit</li> <li>Remove extension cord</li> <li>Replace or repair</li> </ol>
Thermal overload protector cuts out repeatedly	<ol style="list-style-type: none"> <li>Low voltage</li> <li>Clogged air filter</li> <li>Lack of proper ventilation/room temperature too high</li> <li>Unit is plugged into extension cord</li> </ol>	<ol style="list-style-type: none"> <li>Check with voltmeter</li> <li>Clean filter (see Maintenance section)</li> <li>Move compressor to well ventilated area</li> <li>Remove extension cord</li> </ol>
Air tank pressure drops when compressor shuts off	<ol style="list-style-type: none"> <li>Loose connections (fittings, tubing, etc.)</li> <li>Loose drain valve</li> <li>Check valve leaking</li> </ol>	<ol style="list-style-type: none"> <li>Check all connections with soap and water solution and tighten</li> <li>Tighten</li> <li>Disassemble check valve assembly, clean or replace</li> </ol>
<p><b>⚠ DANGER</b> <i>Do not disassemble check valve with air in tanks; bleed tank.</i></p>		
Excessive moisture in discharge air	<ol style="list-style-type: none"> <li>Excessive water in air tanks</li> <li>High humidity</li> </ol>	<ol style="list-style-type: none"> <li>Drain tanks</li> <li>Move to area of less humidity; use air line filter</li> </ol>
Compressor runs continuously	<ol style="list-style-type: none"> <li>Defective pressure switch exceeding max pressure</li> <li>Excessive air usage</li> <li>Ring wear</li> </ol>	<ol style="list-style-type: none"> <li>Replace switch</li> <li>Decrease air usage; compressor not large enough for a requirement</li> <li>Contact your local service center</li> </ol>
Compressor vibrates	Loose mounting bolts	Tighten
Air output lower than normal	<ol style="list-style-type: none"> <li>Broken inlet valves</li> <li>Connections leaking</li> </ol>	<ol style="list-style-type: none"> <li>Have authorized service representative repair unit</li> <li>Tighten connections</li> </ol>



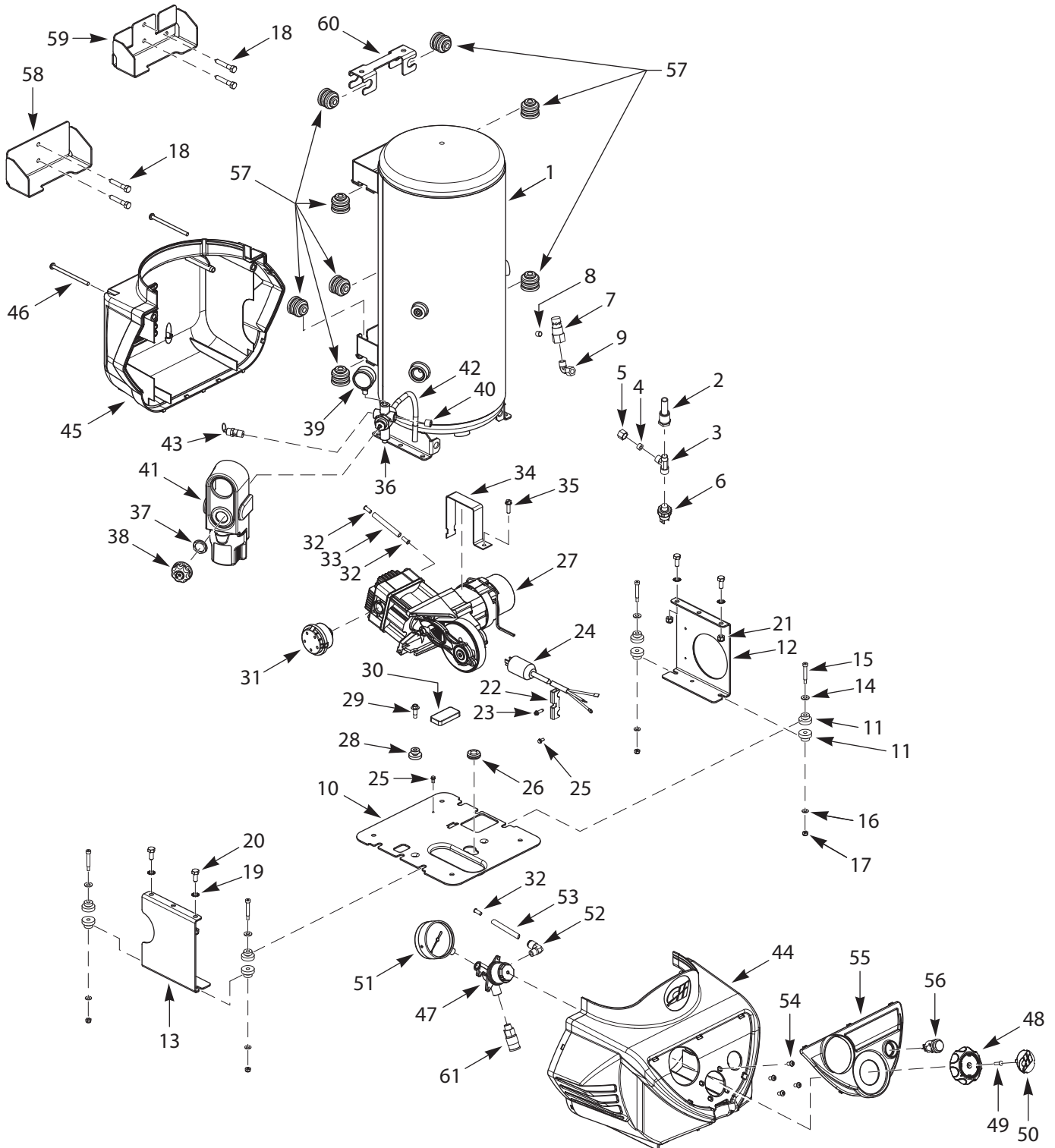
**For Replacement Parts or Technical Assistance, Call 1-800-543-6400**

Please provide following information:

- Model number
- Serial number (if any)
- Part description and number as shown in parts list

Address any correspondence to:

Campbell Hausfeld  
 Attn: Customer Service  
 100 Production Drive  
 Harrison, OH 45030 U.S.A.



**Figure 24 - Replacement Parts Illustration for 8 Gallon Wall Mount Air Compressor**

## Replacement Parts List for 8 Gallon Wall Mount Air Compressor

Ref. No.	Description	Part Number	Qty.	Ref. No.	Description	Part Number	Qty.
1	8 Gallon Wall Mount Tank	AR060900BR	1	36	Drain Valve	D-140700AV	1
2	Pipe Fitting Snorkel 1/2 inch NPT	WL042500AV	1	37	Jam Nut and Washer Set	△	1
3	Tee - Male Branch Tubing	ST197800AV	1	38	Drain Knob and Screw	WL046100SJ	1
4	Compression Fittings - STD	▲	1	39	Pressure Gauge	GA032900AV	1
5	Nut - Compression - REG.	▲	1	40	1/4 inch - 18 NPT Pipe Plug	*	1
6	Pressure Switch	CW218300AV	1	41	Drain Shroud and Cup	△	1
7	Check Valve	CV221517AV	1	42	Drain Tube with Weight	WL046400AV	1
8	Pipe Plug 1/8 - 27	*	1	43	Safety Valve	V-215108AV	1
9	3/8 Tube x 1/4 inch NPT Compression Elbow	ST072226AV	1	44	Front Shroud	WL041900AV	1
10	Plate - Base	BA116000AV	1	45	Rear Shroud	WL042000AV	1
11	Isolation Mount	■	8	46	Tapping Screw, 1/4 inch Pan Phillips	*	2
12	Hang Plate - Right	BA116100AV	1	47	Regulator Assembly	RE300200AV	1
13	Hang Plate - Left	BA116200AV	1	48	Regulator Knob	◆	1
14	Washer - Plain Type "A"	■	4	49	#10 x 0.75 Self-Tapping Screw	◆	1
15	1/4 inch Shoulder Screw	■	4	50	Regulator Knob Cover	◆	1
16	Washer - Plain Type "A"	■	4	51	Gauge	GA032700AV	1
17	Locknut, SS - Nylon Insert	■	4	52	Push to Connect Elbow	ST119704AV	1
18	Lag Screw, 5/16 inch x 2.0 inch LG.	▼	4	53	Flexible Nylon Tube	WL021412AV	1
19	5/16 inch Lock Washer External Tooth	*	4	54	1/4 - 20 Hex Button Screw	ST071626AV	4
20	Screw - Mach. Hex Head	*	4	55	Control Panel	WL042300AV	1
21	Stop Nut, Elastic	AL014000AV	4	56	ON/OFF Switch	ST195600AV	1
22	Clamp SJT/SJT	●	1	57	Isolator - Wall	ST195700AV	8
23	Condor Clamp Screw	●	1	58	Lower Mounting Bracket	▼	1
24	Power Cord and Plug	EC012602AV	1	59	Upper Mounting Bracket	▼	1
25	Screw - Tapping Hex Washer Head	ST074407AV	2	60	Mounting Bracket Cap	▼	1
26	Rubber Grommet	WL008000AV	1	61	Coupler	HF169201AV	1
27	Pump / Motor Assembly	WL390101SJ	1	<b>REPLACEMENT PARTS KITS</b>			
28	Isolation Mount	WL003204AV	1	▲	Exhaust Tube Kit	WL005908SJ	
29	Shoulder Bolt	ST158000AV	1	■	Vibration Isolator Kit	WL003202SJ	
30	Isolation Pad	WL007802AV	1	●	Strain Relief Kit	CW209600SJ	
31	Intake Filter	WL026100AV	1	◆	Regulator Knob Kit	RE300300SJ	
32	Insert	▲	3	▼	Mounting Bracket Kit	WL045600SJ	
33	Flexible Exhaust Tube	▲	1	△	Shroud and Drain Cup Kit	WL046200SJ	
34	Motor Bracket	BA018300AV	1	—	Not Available		
35	Tapping Screw	ST073236AV	1	*	Standard hardware item - available at your local hardware store		



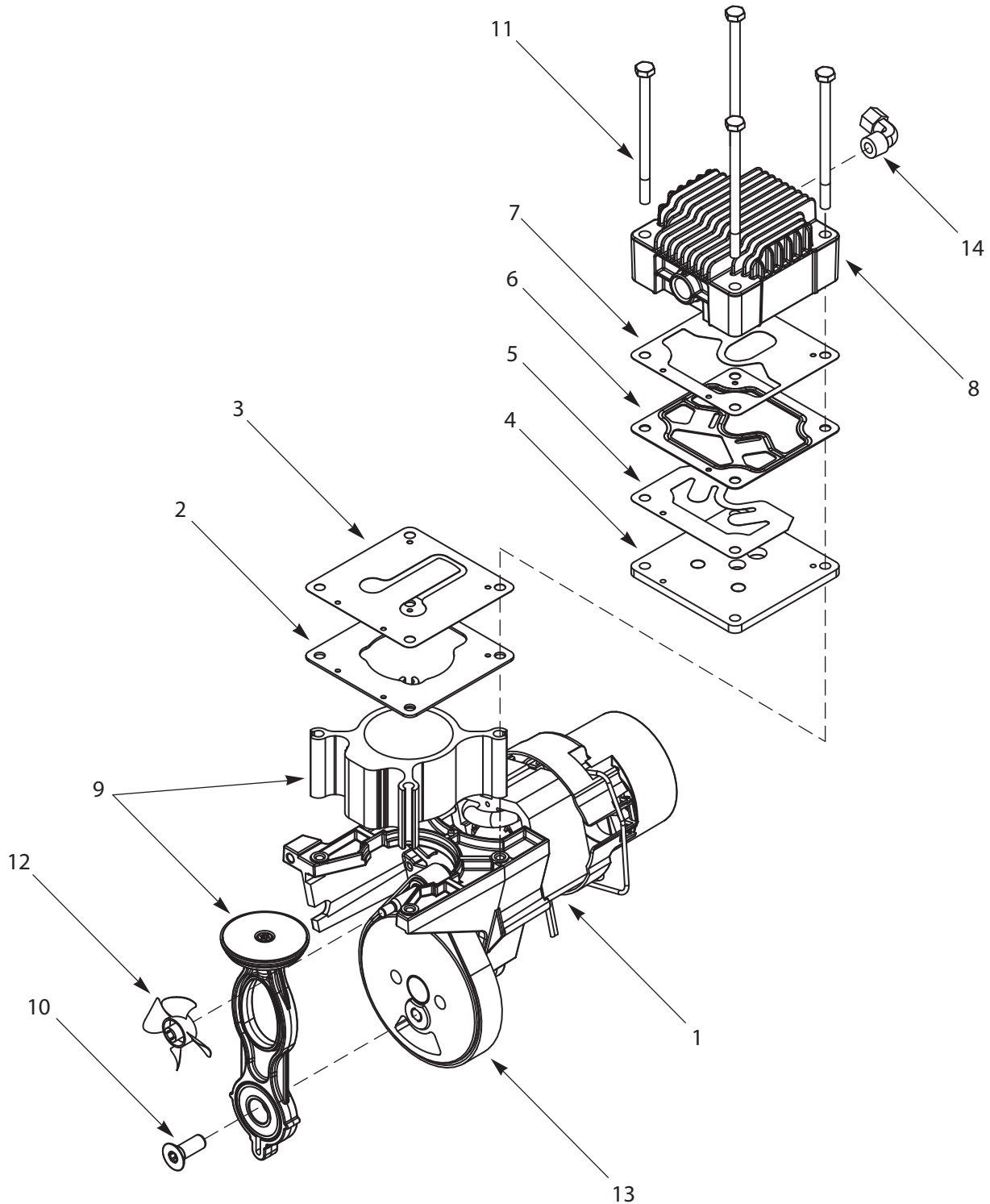
**For Replacement Parts or Technical Assistance, Call 1-800-543-6400**

*Please provide following information:*

- Model number
- Serial number (if any)
- Part description and number as shown in parts list

*Address any correspondence to:*

Campbell Hausfeld  
 Attn: Customer Service  
 100 Production Drive  
 Harrison, OH 45030 U.S.A.



**Figure 25 - Replacement Parts Illustration for 8 Gallon Wall Mount Air Compressor Pump**

**Replacement Parts List for 8 Gallon Wall Mount Air Compressor Pump**

<b>Ref. No.</b>	<b>Description</b>	<b>Part Number</b>	<b>Qty.</b>
1	Motor assembly kit (Includes #2, 3, 6, 7, 10, 12, & 14)	WL019100SJ	1
2	Cylinder gasket	▲	1
3	Intake valve	▲	1
4	Valve plate	▲	1
5	Exhaust valve	▲	1
6	Head gasket	▲	1
7	Exhaust valve gasket	▲	1
8	Head	WL010500AV	1
9	Piston assembly (Includes #10)	WL211000SJ	1
10	3/8 inch Flat head screw	ST071804AV	1
11	1/4 inch - 20 x 4 inch Hex. head cap screw	■	4
12	Fan	WL008400AV	1
13	Belt kit (Includes #10, 12, check valve, & ferrules)	WL015305SJ	1
14	Compression fitting - elbow	ST072224AV	1

**REPLACEMENT PARTS KITS**

▲	Valve plate kit (Includes #2-7)	WL211201SJ	1
■	Head bolt kit (Set of 4 ea., part #11)	WL211100AJ	1

**TORQUE REQUIREMENTS**

Piston Bolt . . . . . 350 - 450 in. lbs.

Head Bolts . . . . . 90 - 120 in. lbs.

**Reminder:** *Keep your dated proof of purchase for warranty purposes! Attach it to this manual or file it for safekeeping.*

## Warranty

1. **DURATION:** From the date of purchase by the original purchaser as follows: One Year.
  2. **WHO GIVES THIS WARRANTY (WARRANTOR):** Campbell Hausfeld / Scott Fetzer Company, 100 Production Drive, Harrison, Ohio, 45030, Telephone: (800) 543-6400
  3. **WHO RECEIVES THIS WARRANTY (PURCHASER):** The original purchaser (other than for purposes of resale) of the Campbell Hausfeld compressor.
  4. **WHAT PRODUCTS ARE COVERED BY THIS WARRANTY:** Any Campbell Hausfeld air compressor.
  5. **WHAT IS COVERED UNDER THIS WARRANTY:** Parts and Labor to remedy substantial defects due to material and workmanship during the first year of ownership with the exceptions noted below. Parts only to remedy substantial defects due to material and workmanship during remaining term of coverage with exceptions noted below.
  6. **WHAT IS NOT COVERED UNDER THIS WARRANTY:**
    - A. Implied warranties, including those of merchantability and FITNESS FOR A PARTICULAR PURPOSE ARE LIMITED FROM THE DATE OF ORIGINAL PURCHASE AS STATED IN THE DURATION. If the compressor is used for commercial, industrial or rental purposes, the warranty will apply for ninety (90) days from the date of purchase. Two-stage compressors are not limited to a ninety (90) day warranty when used in commercial or industrial applications. Some States do not allow limitations on how long an implied warranty lasts, so the above limitations may not apply to you.
    - B. ANY INCIDENTAL, INDIRECT, OR CONSEQUENTIAL LOSS, DAMAGE, OR EXPENSE THAT MAY RESULT FROM ANY DEFECT, FAILURE, OR MALFUNCTION OF THE CAMPBELL HAUSFELD PRODUCT. Some States do not allow the exclusion or limitations of incidental or consequential damages, so the above limitation or exclusion may not apply to you.
    - C. Any failure that results from an accident, purchaser's abuse, neglect or failure to operate products in accordance with instructions provided in the owner's manual(s) supplied with compressor.
    - D. Pre-delivery service, i.e. assembly, oil or lubricants, and adjustment.
    - E. Items or service that is normally required to maintain the product, i.e. lubricants, filters and gaskets, etc.
    - F. Gasoline engines and components are expressly excluded from coverage under this limited warranty. The Purchaser must comply with the warranty given by the engine manufacturer which is supplied with the product
    - G. Additional items not covered under this warranty:
      1. Excluded items pertaining to All Compressors
        - a. Any component damaged in shipment or any failure caused by installing or operating unit under conditions not in accordance with installation and operation guidelines or damaged by contact with tools or surroundings.
        - b. Pump or valve failure caused by rain, excessive humidity, corrosive environments or other contaminants.
        - c. Cosmetic defects that do not interfere with compressor functionality.
        - d. Rusted tanks, including but not limited to rust due to improper drainage or corrosive environments.
        - e. The following components are considered normal wear items and are not covered after the first year of ownership. Electric motor, check valve, pressure switch, regulator, pressure gauges, hose, tubing, pipe, fittings and couplers, screws, nuts, hardware items, belts, pulleys, flywheel, air filter and housing, gaskets, seals, oil leaks, air leaks, oil consumption or usage, piston rings.
        - f. Tank drain valves.
        - g. Damage due to incorrect voltage or improper wiring.
        - h. Other items not listed but considered general wear parts.
        - i. Pressure switches, air governors, load/unload devices, throttle control devices and safety valves modified from factory settings.
        - j. Damage from inadequate filter maintenance.
        - k. Induction motors operated with electricity produced by a generator.
      2. Excluded items specific to Lubricated Compressors:
        - a. Pump wear or valve damage caused by using oil not specified.
        - b. Pump wear or damage caused by any oil contamination.
        - c. Pump wear or damage caused by failure to follow proper oil maintenance guidelines, operation below proper oil level or operation without oil.
    - H. Labor, service call, or transportation charges after the first year of ownership of stationary compressors. Stationary compressors are defined as not including a handle or wheels.
  7. **RESPONSIBILITIES OF WARRANTOR UNDER THIS WARRANTY:** Repair or replace, at Warrantor's option, compressor or component which is defective, has malfunctioned and/or failed to conform within duration of the warranty period.
  8. **RESPONSIBILITIES OF PURCHASER UNDER THIS WARRANTY:**
    - A. Provide dated proof of purchase and maintenance records.
    - B. Call Campbell Hausfeld (800-543-6400) to obtain your warranty service options. Freight costs must be borne by the purchaser.
    - C. Use reasonable care in the operation and maintenance of the products as described in the owner's manual(s).
    - D. Repairs requiring overtime, weekend rates, or anything beyond the standard manufacturer warranty repair labor reimbursement rate.
    - E. Time required for any security checks, safety training, or similar for service personnel to gain access to facility.
    - F. Location of unit must have adequate clearance for service personnel to perform repairs and easily accessible.
  9. **WHEN WARRANTOR WILL PERFORM REPAIR OR REPLACEMENT UNDER THIS WARRANTY:** Repair or replacement will be scheduled and serviced according to the normal work flow at the servicing location, and depending on the availability of replacement parts.
- This Limited Warranty applies in the U.S., Canada and Mexico only and gives you specific legal rights. You may also have other rights which vary from State to State or country to country.



# Compresseur d'Air Mural de 30,3 Litres (8 Gallons)

Instructions d'Utilisation et Manual de Pièces

**WL675000**



**ENGLISH: Page 1**  
**ESPAÑOL: Página 45**

## Table des Matières

---

Description . . . . .	F-25	Fonctionnement . . . . .	F-33
Spécifications . . . . .	F-25	Avant le Premier Démarrage	
Directives de Sécurité . . . . .	F-26	Procédure de Rodage . . . . .	F-33
Symboles de Sécurité . . . . .	F-26	Avant Chaque Démarrage	
Information Importante		Procédure de Fonctionnement . . .	F-33
sur la Sécurité . . . . .	F-26	Démarrage . . . . .	F-34
Instructions portant sur un risque		Cycle Marche/Arrêt	
d'incendie, un choc électrique ou		du Compresseur . . . . .	F-34
des blessures . . . . .	F-26	Bouton Réguleru	
Proposition 65 de Californie . . . .	F-26	« Cliquer-pour-régler » . . . . .	F-34
Généralités . . . . .	F-26	Utilisations Recommandées	
Aire de Travail . . . . .	F-26	pour ce Compresseur . . . . .	F-35
Sécurité Personnelle . . . . .	F-27	Outils Recommandés pour	
Utilisation et Entretien . . . . .	F-27	ce Compresseur d'Air . . . . .	F-35
Précautions de Pulvérisation . . . .	F-28	Fin du Fonctionnement/ Rangement . . . . .	F-35
Service . . . . .	F-28	Diagramme d'Expansion de	
Déballage . . . . .	F-28	Stockage d'Air / Unité . . . . .	F-36
Contenu . . . . .	F-28	Entretien . . . . .	F-37
Autres Articles non inclus . . . . .	F-28	Guide de dépannage . . . . .	F-38
Assemblage . . . . .	F-28	Enregistrement d'entretien . . . . .	F-39
Glossaire . . . . .	F-29	Liste de Pièces de Rechange pour	
Apprendre à Connaître son		le Compresseur d'Air Mural	
Compresseur Mural comme un		de 30,3 Litres (8 Gallons) . . . . .	F-40
Professionnel . . . . .	F-30	Liste de Pièces de Rechange pour	
Caractéristiques . . . . .	F-30	la Pompe de Compresseur d'Air	
Montage . . . . .	F-31	Mural de 30,3 Litres (8 Gallons) . . . .	F-42
Installation . . . . .	F-33	Garantie . . . . .	F-44

---

### Pour l'information sur les pièces, produits et services

**APPELER:** Service à la clientèle au 1-800-543-6400

**ADRESSER TOUTE CORRESPONDANCE À :** Campbell Hausfeld  
Attn: Customer Service  
100 Production Drive  
Harrison, OH 45030 U.S.A.





# Compresseur d'Air Mural de 30,3 Litres (8 gallons)



## Description

Les modèles de compresseurs d'air sont conçus pour fournir de l'air comprimé aux outils pneumatiques et pour faire fonctionner les pistolets vaporisateurs. Installer les filtres appropriés pour les applications qui requièrent de l'air libre d'huile ou d'eau. Le compresseur d'air doit être monté selon les instructions. Autres usages de ces modèles nient la garantie et le fabricant ne sera pas responsable pour les problèmes ou dommages résultant de l'usage incorrect.



Figure 1 - WL675000

## Spécifications

**Modèle WL675000**

**Capacité du Réservoir:**  
30,28 Litres (8 Gallons)

**HP:** 1,7

**Volts:** 120V

**Ampères:** 14,5

**Entrée d'Air:** 6,4 mm (1/4 po) NPT

**Poids:** 30,84 kg

### Dimensions

**Longueur:** 45,72 cm

**Largeur:** 45,72 cm

**Hauteur:** 90,17 cm

### Air Libre m<sup>3</sup>/min

**à 621 kPa:** 2,55

**à 276 kPa:** 1,13

Inscrire le numéro de modèle, le numéro de série et la date d'achat qui se trouve sur l'appareil dans l'espace ci-après.

N° de Modèle **WL675000**

N° de Série \_\_\_\_\_

Date d'Achat \_\_\_\_\_

Garder ces numéros pour référence future.

## Directives de Sécurité

Ce manuel contient de l'information très importante qui est fournie pour la SÉCURITÉ et pour ÉVITER LES PROBLÈMES D'ÉQUIPEMENT. Rechercher les symboles suivants pour cette information.

**▲ DANGER** Danger indique une situation dangereuse imminente qui MÈNERA à la mort ou à des blessures graves si elle n'est pas évitée.

**▲ AVERTISSEMENT** Avertissement indique une situation potentiellement dangereuse qui, si elle n'est pas évitée, POURRAIT mener à la mort ou à de graves blessures.

**▲ ATTENTION** Attention indique une situation potentiellement dangereuse qui, si elle n'est pas évitée, PEUT mener à des blessures mineures ou modérées.

**AVIS** Avis indique de l'information importante qui pourrait endommager l'équipement si elle n'est pas respectée.

## Symboles de sécurité

Les symboles de sécurité suivants apparaissent dans l'ensemble de ce manuel pour vous aviser des dangers et précautions importants de sécurité.



Porter une protection oculaire et un masque.



Lire le manuel d'abord



Risque de blessure



Risque de tomber



Porter une protection oculaire.



Porter une protection auditive



Risque d'incendie



Risque d'explosion



Risque de choc

## Importantes Instructions De Sécurité

### Instructions Portant Sur Un Risque d'Incendie, Un Choc Électrique Ou Des Blessures Aux Personnes

Ce manuel contient des informations concernant la sécurité, le fonctionnement et l'entretien. Si vous avez des questions, appeler le 1-800-543-6400 pour le service à la clientèle.

Puisque le compresseur d'air et les autres pièces détachées (pompe, pistolets, filtres, graisseurs, tuyaux, etc.) font partie d'un système de haute pression, il est nécessaire de suivre les précautions suivantes:

### PROPOSITION 65 DE CALIFORNIE

**▲ AVERTISSEMENT** Ce produit contient des produits chimiques, y compris du plomb, relevés par l'État de Californie comme cause d'anomalies congénitales ou d'autres problèmes reproductifs. Lavez-vous les mains après toute manipulation.

**▲ AVERTISSEMENT** Vous pouvez créer de la poussière en coupant, ponçant, perçant ou meulant les matériaux tels que le bois, la peinture, le métal, le béton, le ciment ou autre maçonnerie. Cette poussière contient souvent des produits chimiques reconnus pour causer le cancer, les déformations congénitales



### ▲ DANGER

#### Avertissement D'Air Respirable

Ce compresseur/pompe n'est pas équipé pour et ne devrait pas être utilisé "comme soi" pour fournir de l'air respirable. Pour les applications d'air pour la consommation humaine, il est nécessaire d'équiper le compresseur d'air/pompe avec de l'équipement de sécurité en canalisation et d'alarme. Cet équipement additionnel est nécessaire pour filtrer et purifier l'air afin d'atteindre les spécifications minimales pour la respiration Grade D décrite dans le Compressed Gas Association Commodity Specification G 7.1 - 1966, OSHA 29 CFR 1910. 134, and/or Canadian Standards Associations (CSA).

#### DÉNÉGATION DES GARANTIES

Si le compresseur est utilisé pour les applications d'air respirable et l'équipement de sécurité en canalisation et d'alarme n'est pas utilisé simultanément, les garanties en existence seront annulées, et Campbell Hausfeld dénie toute responsabilité pour n'importe quelle perte, blessure ou dommage.

#### GÉNÉRALITÉ :

- Pour réduire les risques de chocs électriques, d'incendie ou de blessures aux personnes, lire toutes les instructions avant d'utiliser l'unité. Ne pas suivre les avertissements, les dangers et les mises en garde pourrait causer la MORT ou de GRAVES BLESSURES.
- Se familiariser avec ce produit, ses commandes et son utilisation. Suivez toutes les instructions. Contacter votre représentant Campbell Hausfeld si vous avez des questions.
- Seules les personnes familières avec ces règles d'utilisation sans danger devraient utiliser cette unité.



**▲ ATTENTION** Ne pas apporter de modifications à l'unité sans d'abord obtenir une approbation écrite de Campbell Hausfeld. Cela peut entraîner des blessures ou endommager l'appareil.

- Suivre tous les codes de sécurité locaux ainsi que les codes des É-U; National Electrical Codes (NEC) et Occupational Safety and Health Act (OSHA).

#### AIRE DE TRAVAIL

- Garder l'aire de travail propre et bien éclairée. Les établis encombrés et les coins sombres augmentent les risques de chocs électriques, d'incendie et de blessures aux personnes.

## Importantes Instructions De Sécurité (Suite)

- b. **Garder les spectateurs, les enfants et les visiteurs loin en utilisant l'unité.** Les distractions peuvent faire perdre le contrôle de l'unité.

### SÉCURITÉ PERSONNELLE

- a. **Rester vigilant. Il faut regarder ce que vous faites et utiliser son sens commun en faisant fonctionner un outil. Ne pas faire fonctionner l'appareil si vous êtes fatigué ou sous l'influence de drogues, d'alcool ou de médicaments.** Un moment d'inattention en faisant fonctionner l'unité augmente le risque de blessures.

- b. **Il faut s'habiller correctement. Ne pas porter de bijoux ou de vêtements amples. Attacher les cheveux longs. Garder les cheveux, les vêtements et les gants loin des pièces mobiles.** Les vêtements amples, les bijoux ou les cheveux longs augmentent le risque de blessures si quelque chose se prend dans les pièces mobiles.

- c. **Ne pas trop se pencher. Garder bon pied et bon équilibre en tout temps.** Ceci permet d'avoir un meilleur contrôle de l'unité dans les situations imprévues.



- d. **Utiliser l'équipement de sécurité.** Il faut utiliser un masque antipoussières, des souliers de sécurité antidérapants et un casque de protection appropriés pour les conditions en cours. Utiliser des lunettes de sécurité et la protection auditive pendant l'utilisation du modèle.



#### AVERTISSEMENT

*S'assurer que l'unité est utilisée seulement lorsque l'opérateur et tout autre personnel dans l'aire de travail portent un équipement de protection oculaire ANSI Z87 et, s'il y a lieu, d'autre équipement de protection approprié tel que de l'équipement de protection pour la tête, les oreilles et les pieds. Il pourrait y avoir de graves lésions oculaires ou perte auditive.*



### UTILISATION ET ENTRETIEN

- a. **Ne pas se tenir debout sur/ni utiliser l'unité comme une prise à main.**
- b. **Toujours travailler dans un endroit bien ventilé. Porter un masque anti-poussières homologué OSHA.**
- c. **Ne pas retirer les étiquettes de l'appareil.**

#### AVERTISSEMENT

*Ne jamais utiliser les tuyaux plastiques (CPV) pour l'air comprimé. Ceci peut causer des blessures graves ou la mort.*



#### AVIS

*Purger le réservoir quotidiennement afin d'éviter la corrosion et le risque de blessures cause par le dommage au réservoir. Risque d'éclatement.*

- d. **L'accumulation d'humidité cause la rouille qui peut affaiblir le réservoir.** Purger le réservoir régulièrement et l'inspecter périodiquement pour la rouille et la corrosion ou autres conditions dangereuses.
- e. **L'air mouvante peut agiter la poussière et le débris qui peut être dangereux.** Dissiper l'air lentement en purgeant l'humidité ou pendant la dépressurisation du système de compresseur.

#### DANGER

*Ne jamais remplir le réservoir plus que 1034 kPa. Ceci peut causer des blessures personnelles ou le dégât matériel.*

#### DANGER

*Ne remplissez jamais du gaz en bobonne ou de tout système d'air qui produit plus de 1034 kPa.*

- f. **Ne pas modifier ou altérer la soupape de sûreté.** Si la soupape de sûreté est altérée, les garanties en cours seront annulées et Husky dénie toute responsabilité quelconque pour toute perte, blessure personnelle ou dommage.

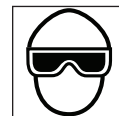
#### DANGER

*NE JAMAIS essayer de réparer ni de modifier un réservoir. Le soudage, perçage ou n'importe quelle modification peut affaiblir le réservoir et peut causer la rupture ou une explosion. Toujours remplacer les réservoirs usés, endommagés ou fendus.*

- g. **Dissiper la pression d'air du réservoir à air en tirant sur l'anneau de sûreté avant le service ou le remplacement de pièces.**

#### AVERTISSEMENT

*Il est nécessaire de porter des lunettes de protection pendant l'utilisation.*



- h. **Pour l'air sec seulement.** N'utilisez pas pour ranger ou disperser des liquides ou des gaz inflammables.
- i. **Rangez à l'intérieur.** Ne rangez pas à l'extérieur ou dans les rayons du soleil.
- j. **Utilisez seulement les accessoires d'une valeur nominale d'au moins 1034 kPa.**
- k. **Vérifier les tuyaux d'air pour rechercher tout signe de faiblesse ou d'usure avant chaque utilisation.** S'assurer que tous les branchements soient bien serrés. Inspecter le degré de serrage de toutes les attaches par intervalles régulières.
- l. **Inspecter le système d'air comprimé et pièces détachées électriques pour toute indication de dommage, détérioration, faiblesse ou fuites avant chaque utilisation.** Réparer ou remplacer toutes pièces défectueuses avant l'utilisation.

#### AVERTISSEMENT

*Les moteurs, l'équipement et les commandes électriques peuvent causer des arcs électriques qui peuvent allumer un gaz ou une vapeur inflammable. Ne jamais utiliser ou réparer le modèle près d'un gaz ou d'une vapeur inflammable. Ne jamais entreposer les liquides ou gaz inflammables près du compresseur.*



#### ATTENTION

*Les pièces du compresseur peuvent être chaudes même si le modèle est hors circuit.*



- m. **Inspecter le système d'air comprimé et pièces détachées électriques pour toute indication de dommage, détérioration, faiblesse ou fuites avant chaque utilisation.** Réparer ou remplacer toutes pièces défectueuses avant l'utilisation.

#### AVERTISSEMENT

*Une soupape de sûreté ASME avec une classification qui ne dépasse pas 1138 kPa doit être installée dans le réservoir de ce compresseur. La soupape de sûreté ASME doit avoir un débit d'air et une classification de pression suffisants pour protéger les pièces pressurisées contre l'éclatement.*

#### ATTENTION

*Voir la décalcomanie de spécifications sur le compresseur pour retrouver la pression de service maximum. Ne pas faire fonctionner avec un manostat ou soupapes pilotes réglés au delà de la pression de fonctionnement maximum.*

## Importantes Instructions De Sécurité (Suite)

### ⚠ AVERTISSEMENT

*Pour éviter toutes blessures ou dommages, toujours dégager la pression du réservoir AVANT de retirer les raccords filetés.*

### PRÉCAUTIONS DE PULVÉRISATION

### ⚠ AVERTISSEMENT

*Ne pas pulvériser des matériaux inflammables près d'une flamme ni près d'une source d'ignition y inclus le compresseur.*



- Ne pas fumer pendant la pulvérisation de peinture, d'insecticides ou d'autres substances inflammables.
- Utiliser un masque / respirateur pendant la pulvérisation et pulvériser dans un endroit bien ventilé pour éviter les dangers de santé et d'incendie.
- Ne pas pulvériser vers le compresseur. Situer le compresseur aussi loin que possible de l'endroit de pulvérisation pour minimiser l'accumulation de surpulvérisation sur le compresseur.
- Pour pulvériser ou nettoyer avec des solvants ou produits chimiques toxiques, suivre les instructions fournies par le fabricant du produit chimique.



### SERVICE

**Tout le travail d'entretien et de réparation doit être effectué seulement par un personnel de réparation qualifié.**

**NOTE:** Les symboles DANGER, AVERTISSEMENT, ATTENTION et AVIS ainsi que les instructions de ce manuel ne peuvent pas couvrir toutes les conditions et situations qui pourraient se produire. L'opérateur doit comprendre que le bon sens et des précautions sont des facteurs qui ne peuvent pas être inclus dans ces produits, mais doivent être fournis par l'opérateur.

**CONSERVER CES INSTRUCTIONS  
NE LES JETEZ PAS**

## Déballage

Dès que l'appareil est déballé, l'inspecter attentivement pour tout signe de dommages en transit. Vérifier s'il y a des pièces desserrées, manquantes ou endommagées. S'assurer de resserrer tous les raccords, boulons, etc. avant de le mettre en service. Vérifier pour s'assurer que tous les accessoires fournis sont inclus avec l'appareil. Pour toutes questions, pièces endommagées ou manquantes, appeler le 1-800-543-6400 pour le service à la clientèle.

### CONTENU

- ◆ Compresseur mural
- ◆ Sectionneurs de vibrations (8)
- ◆ Fixations de montage mural (2)
- ◆ Chapeau de fixation de montage
- ◆ Vis tire-fond (4)
- ◆ Mode d'emploi
- ◆ Carte d'enregistrement de produit

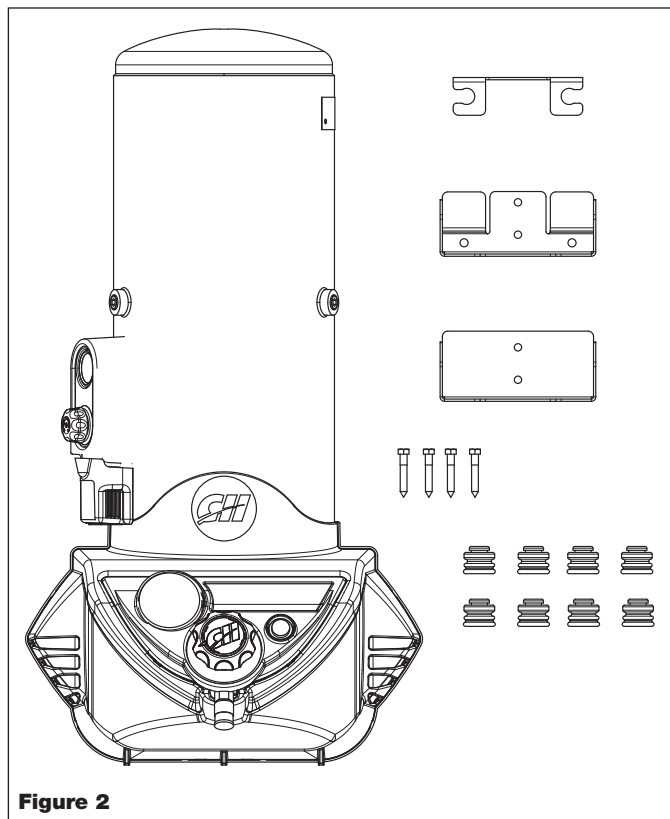


Figure 2

### AUTRES ARTICLES NON INCLUS

- ◆ ANSI Z87 Protection oculaire
- ◆ Protection auditive et autre équipement de protection personnelle, si nécessaire.

## Assemblage

Ce compresseur mural est fourni entièrement assemblé. Se reporter à la section de montage pour les directives de montage du compresseur au mur.



## Glossaire

Familiarisez-vous avec ces termes avant d'utiliser l'appareil.

**SOUPE DE SÛRETÉ ASME\*** — Cette soupape laisse échapper l'air automatiquement si la pression du réservoir dépasse la pression maximum réglée d'avance.

**ARRIVÉE D'AIR** — L'ouverture de branchement d'alimentation d'air comprimé, normalement par un raccord fileté.

**CLAPET** — Une soupape à sens unique qui permet à l'air d'entrer le réservoir mais qui empêche que l'air du réservoir retourne dans la pompe du compresseur.

**PRESSIION D'AIR MAXIMALE** — La pression d'air comprimé maximale permise, tel qu'indiqué par le fabricant pour utiliser l'unité.

**MANOSTAT** — Lorsque l'interrupteur marche / arrêt est à la position « ON » (marche), le pressostat se mettra automatiquement en marche et éteindra la pompe / moteur lorsqu'il atteint la pression maximale. Lorsque l'appareil s'éteint, vous pourriez entendre un petit sifflement ou un son de fuite d'air. Ceci est normal. Ceci est causé par le compresseur déchargeant le reste de la haute pression de la tête de la pompe. Cela pourrait durer plusieurs secondes avant de s'arrêter. Lorsque la pression du réservoir tombe sous la pression minimale pré-réglée, le pressostat remet automatiquement la pompe / le moteur en marche pour remplir le réservoir.

**INTERRUPTEUR MARCHÉ/ARRÊT** — Cet appareil est doté d'un interrupteur On / Off (marche / arrêt) allumé. À la position « ON » (marche), le bouton sera enfoncé et l'interrupteur s'allumera. L'interrupteur restera allumé aussi longtemps que le bouton est enfoncé et que l'appareil est sous tension. Le pressostat mettra automatiquement la pompe / moteur en marche ou l'éteindra selon la pression à l'intérieur du réservoir. Si l'appareil est débranché le voyant ne sera pas allumé. À la position « OFF » (arrêt), l'interrupteur ne sera pas enfoncé et le voyant ne sera pas allumé.

**kPa** — Mesure de la pression de la force de l'air. La sortie réelle en kPa se mesure par un manomètre sur le compresseur.

**RACCORD RAPIDE** — Un coupleur rapide conçu pour fonctionner en combinaison avec un bouchon rapide pour joindre facilement et rapidement un outil pneumatique en tuyau à air.

**BOUCHON RAPIDE** — Un bouchon rapide conçu pour fonctionner en combinaison avec un coupleur rapide pour joindre facilement et rapidement un outil pneumatique en tuyau à air.

**JAUGE DE SORTIE** — Indique la quantité de pression d'air dans le boyau utilisé pour faire fonctionner les outils. Cette pression est augmentée ou réduite par le régulateur.

**BOUTON DU RÉGULATEUR** — Un dispositif utilisé pour contrôler la pression d'air à un outil à air. Le régulateur contrôle la quantité de pression d'air à la sortie du boyau. Tourner le bouton du régulateur dans le sens des aiguilles d'une montre (vers la droite) augmentera la pression d'air à la sortie. Tourner le bouton dans le sens contraire des aiguilles d'une montre (vers la gauche) réduira la pression d'air à la sortie. Tourner le bouton entièrement dans le sens contraire des aiguilles coupera entièrement le débit d'air.

**COLLE DE FREIN-FILET** — Une colle de frein-filet appliquée aux filets des vis avant l'installation. Empêche les vis de se desserrer en utilisant l'outil.

**MANOMÈTRE DE RÉSERVOIR** — Indique la pression d'air présente dans le réservoir.

**ROBINET DE PURGE DE RÉSERVOIR** — Ce robinet se trouve sur le côté du réservoir. Utiliser ce robinet pour vidanger l'humidité du réservoir chaque jour pour réduire le risque de corrosion.

\* ASME : American Society of Mechanical Engineers. Les réservoirs ASME sont fabriqués selon les exigences ASME.

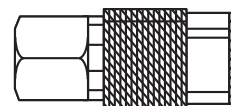


Figure 3 - Raccord Rapide

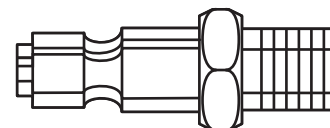


Figure 4 - Bouchon Rapide

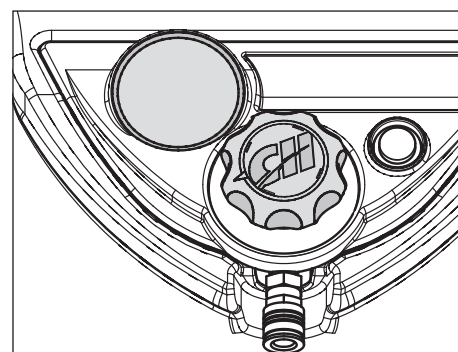


Figure 5 - Jauge de sortie et Bouton de régulateur

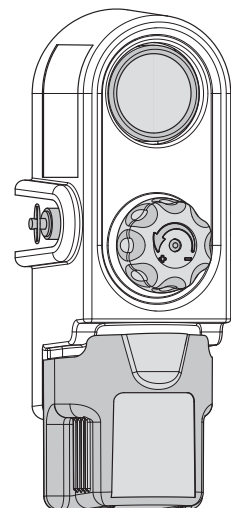


Figure 6 - Manomètre de réservoir, Système de vidange du réservoir, et Soupape de sûreté

## Apprendre à Connaître son Compresseur Mural Comme un Professionnel

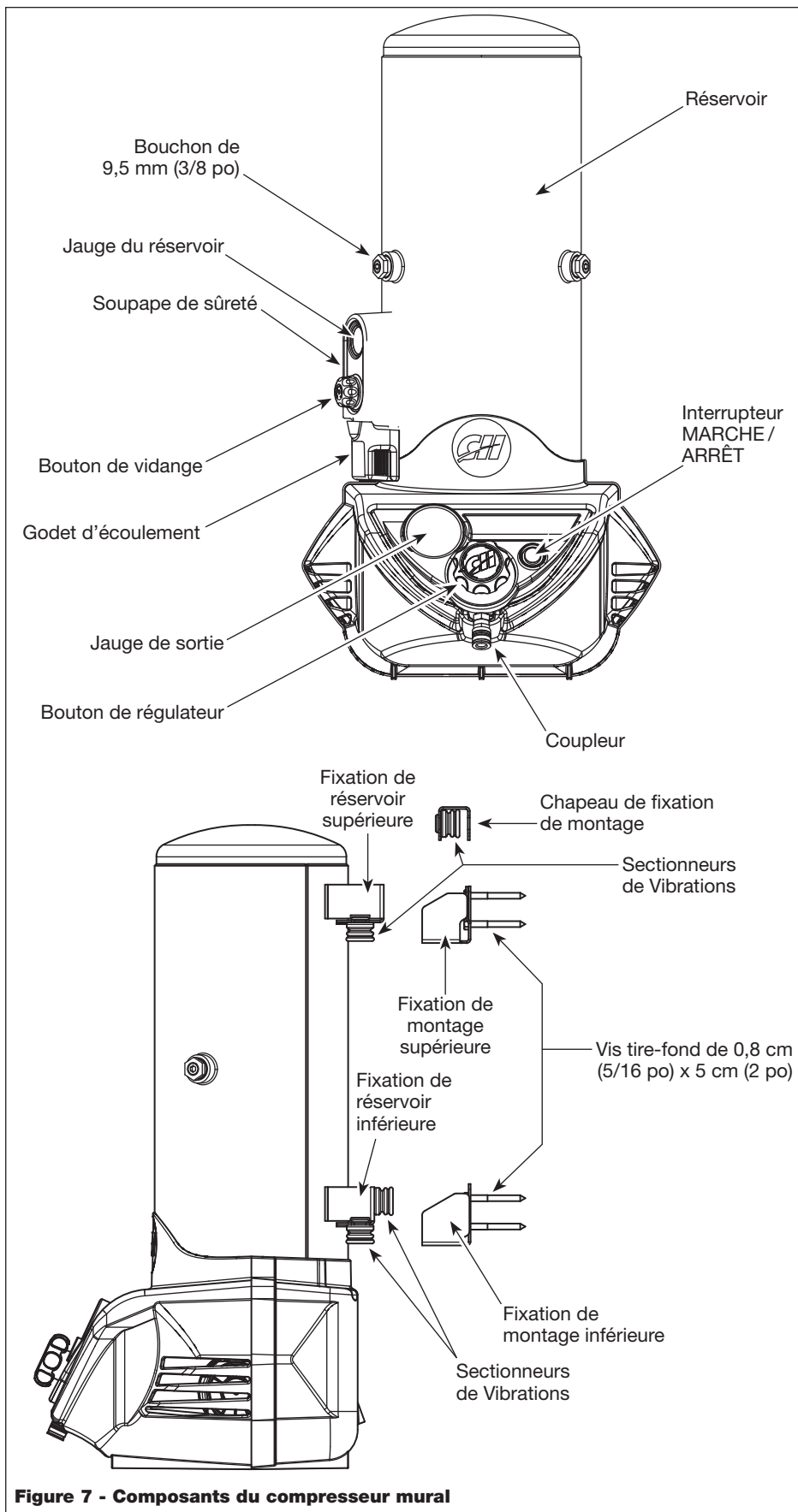


Figure 7 - Composants du compresseur mural

### Caractéristiques

#### SOUPAPE DE SÛRETÉ

Cette soupape dégage automatiquement l'air si la pression du réservoir dépasse le maximum préétabli.

#### FIXATIONS DE MONTAGE MURAL

Les fixations de montage mural sont utilisées pour fixer le réservoir au mur. Cette partie du produit est fixée de manière permanente au mur en utilisant les vis tire-fond incluses.

#### SECTIONNEURS DE VIBRATIONS

The vibration isolators prevent the vibrations created by the compressor from transferring to the wall where the unit is mounted.

#### COUPLEUR

Le coupleur à raccord rapide sert à fixer un boyau à air entre le compresseur et les outils.

#### GODET D'ÉCOULEMENT

Le godet d'écoulement recueille l'eau vidangé du réservoir. Ceci permet d'éliminer facilement le surplus d'humidité du réservoir.

#### BOUTON DE VIDANGE

Le bouton de vidange contrôle le processus de vidange - un moyen pratique pour retirer l'humidité du réservoir.



## Montage

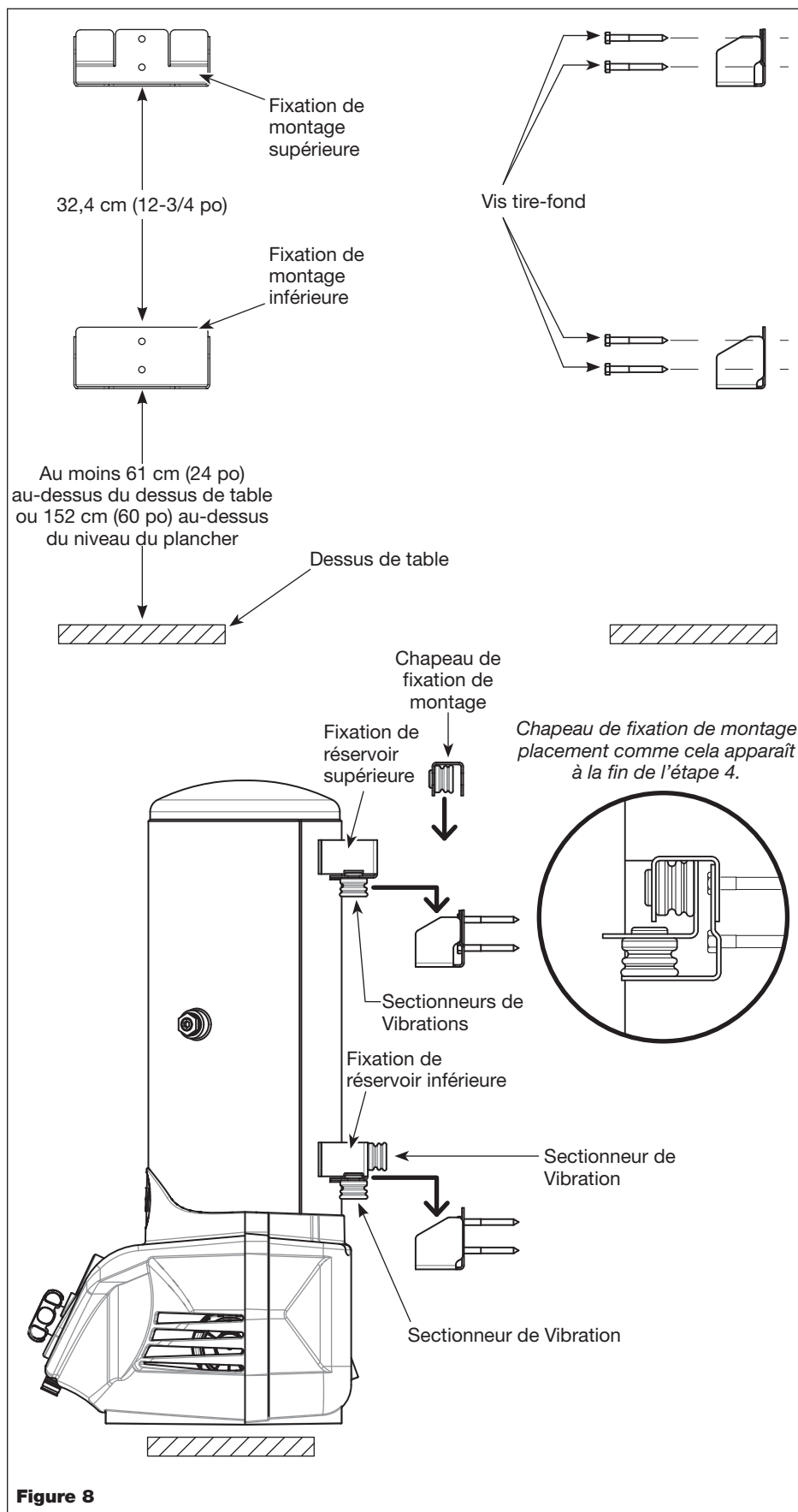


Figure 8

### OUTILS NÉCESSAIRES:

- Niveau
- Localisateur de poteaux
- Ruban à mesurer
- Perceuse
- Foret 5,6 mm (7/32 po)
- Clé de 12,7 mm (1/2 po) ou douille de 12,7 mm (1/2 po) et clé à cliquet ou tournevis à douille de 12,7 mm (1/2 po)
- Crayon

### ⚠ AVERTISSEMENT

**IL EST FORTEMENT RECOMMANDÉ QUE**

**DEUX PERSONNES TRAVAILLENT ENSEMBLE POUR SOULEVER LE COMPRESSEUR D'AIR SUR LES FIXATIONS DU MUR.**

Établir où l'on prévoit monter le compresseur. Il est recommandé que le bas de l'appareil soit placé à au moins 30,5 cm (12 po) au-dessus d'une surface du dessus de table ou 122 cm (48 po) au-dessus du plancher. Le compresseur doit être bien fixé à un montant de bois ou à la maçonnerie. **NE PAS** utiliser d'ancres de cloisons sèches. S'assurer que l'endroit où l'on prévoit suspendre l'appareil est près d'une prise mise à la terre que le cordon d'alimentation peut atteindre **SANS** utiliser de rallonge.

**SE REPORTER AUX DONNÉES ÉLECTRIQUES DE LA PAGE F-33 POUR PLUS D'INFORMATION.**

### INSTRUCTIONS POUR UN MUR À MONTANT COUVERT DE PLÂTRE DE CLOISON SÈCHE DE 0,95 CM (3/8 PO) À 13 CM (1/2 PO)

Cet appareil a des vis tire-fond de 7,9 cm (5/16 po) x 5,08 cm (2 po) incluses. Elles doivent être utilisées pour monter le compresseur à un mur à montants avec du plâtre ou des cloisons sèches de 9,5 mm (3/8 po) à 12,7 mm (1/2 po).

#### ÉTAPE 1 - Installer la Fixation de Montage Inférieure au Mur

Utiliser le localisateur de montants pour déterminer le centre du montant de bois où l'on désire monter le compresseur. Placer la fixation de montage inférieure pour que les deux trous s'alignent avec le centre du montant.

Le bas de la fixation de montage inférieure devrait être à 61 cm (24 po) au-dessus de la surface du dessus de table ou à 152 cm (60 po) au-dessus du plancher selon l'endroit choisi pour placer le compresseur. Utiliser le niveau pour assurer que la fixation de montage inférieure est à niveau. Marquer les deux trous sur le mur avec le crayon.

## Montage (Suite)

Ces marques seront utilisées comme guide pour percer les trous pour les vis tire-fond. Utiliser la perceuse et le foret de 5,6 mm (7/32 po) pour percer les deux trous pour les vis tire-fond sur les marques que l'on vient d'utiliser. Ces trous doivent être percés à environ 50,8 mm (2 po) de profondeur.

Placer la fixation de montage inférieure au mur en utilisant 2 des vis tire-fond incluses dans la boîte. Utiliser la clé de 12,7 mm (1/2 po) ou la douille de 12,7 mm (1/2 po) et la clé à cliquet ou le tournevis à douille de 12,7 mm (1/2 po) pour resserrer les vis tire-fond. Révérer la fixation de montage inférieure avec le niveau pour assurer l'installation à niveau.

### ÉTAPE 2 - Installer la Fixation de Montage Supérieure au Mur

Utiliser le niveau pour déterminer le centre du montant au-dessus de la fixation de montage inférieure. Utiliser le ruban à mesurer pour mesurer jusqu'à 32,4 cm (12-3/4 po) le long du centre du montant du centre supérieur de la fixation de montage inférieure. Utiliser le crayon pour placer une marque horizontale sur le mur au centre du montant à 32,4 cm (12-3/4 po). Placer le bas de la fixation de montage supérieure sur la marque et utiliser le niveau pour assurer que la fixation est à niveau et centrée dans le montant avec la fixation de montage inférieure.

Marquer les deux trous sur le mur avec le crayon. Ces marques seront utilisées comme guide pour percer les trous pour les vis tire-fond. Utiliser la perceuse et le foret de 5,6 mm (7/32 po) pour percer les deux trous pour les vis tire-fond sur les marques que l'on vient d'utiliser. Ces trous doivent être percés à environ 50,8 mm (2 po) de profondeur. Placer la fixation de montage supérieure au mur en utilisant 2 des vis tire-fond incluses dans la boîte. Utiliser la clé de 12,7 mm (1/2 po) ou la douille de 12,7 mm (1/2 po) et la clé à cliquet ou le tournevis à douille de 12,7 mm (1/2 po) pour resserrer les vis tire-fond. Révérer la fixation de montage supérieure avec le niveau pour assurer l'installation à niveau et en ligne avec la fixation de montage inférieure.

### ÉTAPE 3 - Installer les Sectionneurs de Vibrations

Trouver la fixation du réservoir inférieure sur le compresseur d'air. Glisser quatre sectionneurs de vibrations sur la fixation du réservoir inférieure tel qu'illustré sous la Figure 9 (A). Trouver la fixation du réservoir supérieure sur le compresseur d'air. Glisser deux sectionneurs de vibrations sur la fixation du réservoir supérieure tel qu'illustré sous la Figure 9 (B). Trouver le chapeau de fixation de montage. Glisser deux sectionneurs de vibrations sur le chapeau de fixation de montage tel qu'illustré sous la Figure 9 (C).

### ÉTAPE 4 - Soulever le Compresseur d'Air sur les Fixations sur le Mur

**▲ AVERTISSEMENT** IL EST FORTEMENT RECOMMANDÉ QUE DEUX PERSONNES TRAVAILLENT ENSEMBLE POUR SOULEVER LE COMPRESSEUR D'AIR SUR LES FIXATIONS DU MUR.

Retirer le godet d'écoulement du système de vidange facile.

Soulever le compresseur mural au-dessus des fixations de montage murales tel qu'illustré sous la Figure 10. Placer ensuite l'appareil sur les fixations. Si ceci ne se fait pas correctement, les secteurs de vibrations pourraient ne pas dégager les fixations qui pourraient alors être déplacées tel qu'illustré sous la Figure 10. Si les sectionneurs de vibrations se déplacent, il faudra les replacer avant de poursuivre l'installation.

Lorsque l'appareil est bien installé sur les fixations du mur, glisser le chapeau de fixation de montage vers le bas sur la fixation de montage supérieure et la fixation du réservoir supérieure tel qu'illustré sous la Figure 8. S'assurer que le bouchon de fixation de montage pince bien la fixation du réservoir supérieure avant de laisser aller le compresseur mural sinon le compresseur pourrait tomber provoquant des dommages ou des blessures.

Replacer le godet d'écoulement sur le système de vidange facile.

### INSTRUCTIONS POUR UN MUR DE MAÇONNERIE

Vous devez acheter la quincaillerie de montage requise pour les installations de béton ou de maçonnerie distinctes. Il est recommandé d'utiliser une ancre de style à long manchon de 7,9 mm (5/16 po) par 6,35 cm (2-1/2 po) de diamètre ou un système d'ancrage de 7,9 mm (5/16 po) de diamètre. Suivre toutes les instructions fournies avec la quincaillerie pour déterminer la bonne installation de ces attaches. Utiliser les instructions de montage à un mur à montant comme guide pour le placement des ancrs.

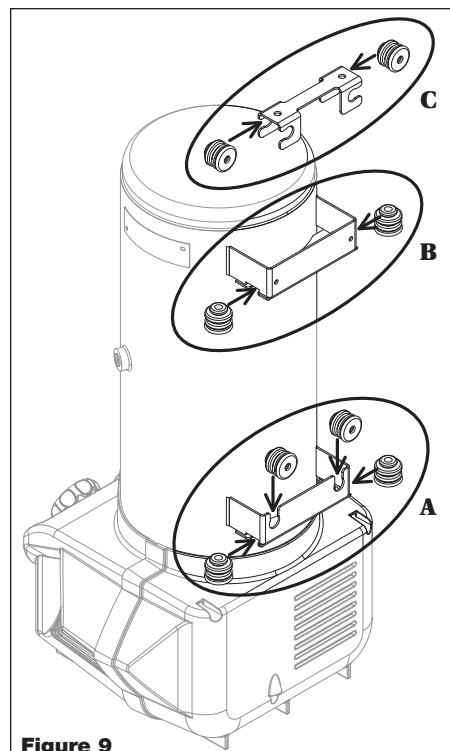


Figure 9

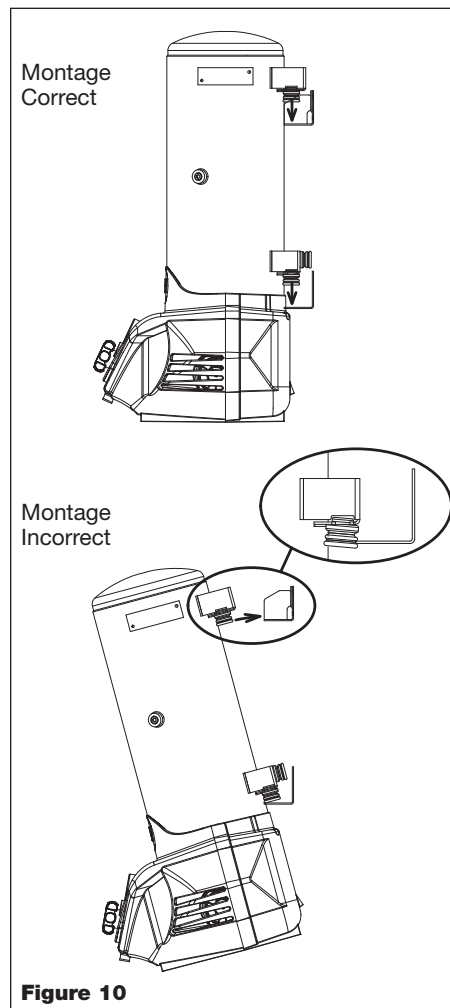


Figure 10

## Installation

### DONNÉES ÉLECTRIQUES

#### ⚠ ATTENTION

*La surchauffe, les court-circuit et les dommages d'incendie mèneront à un câblage inadéquat.*



Vérifier la compatibilité de tension de la plaque de données du moteur. Le cordon ne doit être branché que dans une prise mise à la terre et peut exiger un nouveau cordon et fiche qui se conforme aux exigences nationales et aux codes locaux de votre région.

### INSTRUCTIONS DE MISE À LA TERRE

Ce produit doit être mis à la terre. Dans le cas d'un court circuit, la mise à la terre réduit le risque de choc électrique en donnant une voie d'échappement pour le courant électrique. L'appareil est doté d'un cordon d'alimentation à broche de masse.

#### ⚠ DANGER

*Une mauvaise utilisation de broche de masse peut mener à un risque de choc électrique.*

**REMARQUE:** Ne pas utiliser d'adaptateur de masse.

#### ⚠ AVERTISSEMENT

*Pendant la conversion à une tension alternative, s'assurer que le fil de masse vert se branche à la broche de mise à la terre de la fiche et au corps de métal du pressostat.*

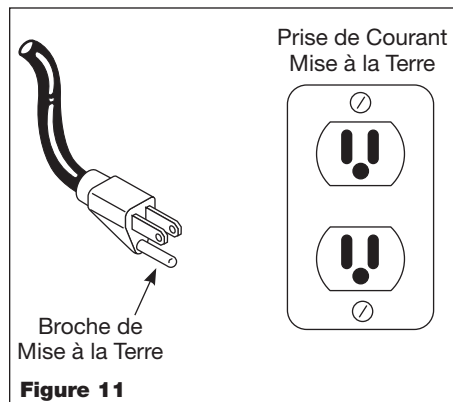


Figure 11

## Fonctionnement

### HUMIDITÉ DANS L'AIR COMPRIMÉ

L'humidité dans l'air comprimé forme des gouttelettes en arrivant de la pompe du compresseur d'air. Si l'humidité est élevée, ou si le compresseur est utilisé continuellement, cette humidité s'accumulera dans le réservoir. Pendant l'utilisation d'un pistolet à peinture ou d'un pistolet pour le décapage au sable, cette eau sera transportée du réservoir par moyen du tuyau, et en forme de gouttelettes, mélangée avec le matériel utilisé.

**IMPORTANT:** Cette condensation peut causer des taches d'eau sur votre travail de peinture, surtout pendant la pulvérisation de peinture qui n'est pas à base d'eau. Pendant le décapage au sable, cette eau servira à tenir le sable ensemble et causera une obstruction dans le pistolet.

Un filtre à air en canalisation situé aussi près du pistolet que possible aidera à éliminer cette humidité.

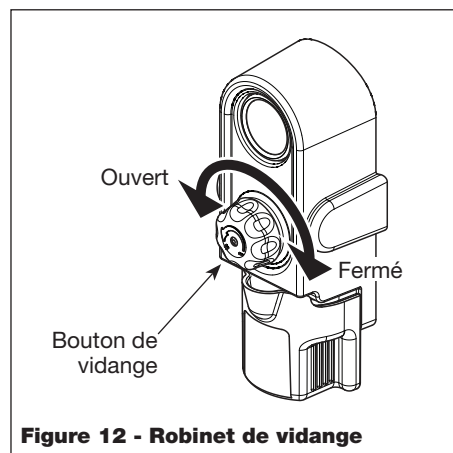


Figure 12 - Robinet de vidange

### AVANT LE PREMIER DÉMARRAGE PROCÉDURE DE RODAGE

Cette procédure doit être terminée avant d'utiliser le compresseur pour la première fois. Ensuite, il n'est pas nécessaire de la refaire.

1. S'assurer que l'interrupteur MARCHE/ARRÊT est à la position « OFF » (arrêt). Ouvrir le robinet de vidange sur le côté du réservoir en tournant le bouton de vidange dans le sens contraire des aiguilles d'une montre.
2. Brancher le cordon d'alimentation.
3. Enfoncez l'interrupteur MARCHE/ARRÊT et faire fonctionner le compresseur pendant 30 minutes.
4. Enfoncez l'interrupteur MARCHE/ARRÊT pour éteindre l'appareil.
5. Fermer le robinet de vidange sur le côté du réservoir.

Le compresseur est maintenant prêt à être utilisé.

### AVANT CHAQUE DÉMARRAGE PROCÉDURE DE FONCTIONNEMENT

1. Tourner le bouton du régulateur complètement dans le sens des aiguilles d'une montre (vers la gauche) pour fermer la circulation d'air.
2. Connecter le tuyau d'air à la sortie du régulateur.
3. Enfoncez ON/OFF (MARCHE/ARRÊT) et laisser le compresseur fonctionner jusqu'à ce qu'il atteigne la pression d'arrêt automatique.
4. Fixer le mandrin de pneu ou l'outil à l'extrémité du tuyau.

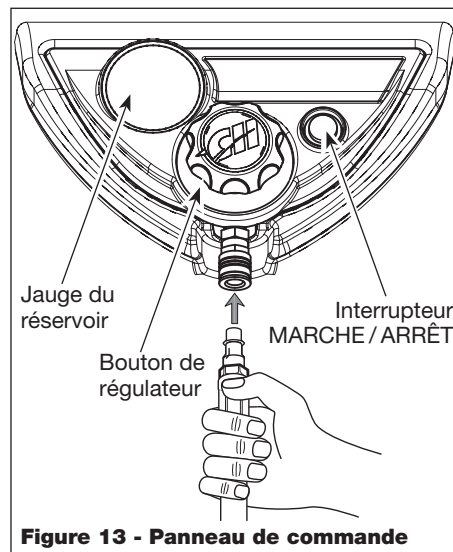


Figure 13 - Panneau de commande

## Fonctionnement (Suite)

5. Tourner le bouton du régulateur complètement vers la droite, dans le sens des aiguilles d'une montre jusqu'à la pression voulue pour l'outil utilisé.

### DÉMARRAGE

#### ⚠ ATTENTION

*Ne pas brancher les outils pneumatiques au bout ouvert du tuyau avant que le démarrage soit complet et que le modèle fonctionne correctement.*

#### ⚠ AVERTISSEMENT

*Ne jamais débrancher les raccords filetés si le réservoir est pressurisé!*

### CYCLE MARCHE/ARRÊT DU COMPRESSEUR

En position « ON » (marche), le compresseur pompe de l'air dans le réservoir. Lorsqu'il atteint une pression d'arrêt (une « coupure » pré-établie), le compresseur s'arrête automatiquement.

Si le compresseur reste en position « ON » (marche), et que l'air sort complètement du réservoir en utilisant un mandrin de pneu, un outil, etc., alors le compresseur redémarrera automatiquement à sa pression pré-établie de « coupure ». Lorsqu'un outil est utilisé continuellement, le compresseur passera automatiquement à des cycles marche et arrêt.

En position « OFF » (arrêt), le pressostat ne peut pas fonctionner et le compresseur ne fonctionnera pas. S'assurer que l'interrupteur est à la position « OFF » (arrêt) en connectant ou déconnectant le cordon d'alimentation de la prise de courant.

### BOUTON RÉGULERU « CLIQUER-POUR-RÉGLER »

- ◆ Ce bouton règle la pression à un outil pneumatique ou à un pistolet vaporisateur.
- ◆ La pression d'air à la sortie est augmentée en tournant le bouton au sens des aiguilles d'une montre.
- ◆ La pression d'air à la sortie est réduite en tournant le bouton au sens inverse des aiguilles d'une montre.
- ◆ Pour couper le débit d'air, tourner complètement au sens inverse des aiguilles d'une montre.

Le bouton est conçu pour tourner d'environ 270 degrés pour tous les réglages de fonctions. Si l'on tourne le bouton et dépasse le réglage de fonctionnement minimum (dans le sens antihoraire), le bouton ne « cliquera » plus tel que conçu pour indiquer que le régulateur a été placé à un réglage précis. La pression de sortie lira zéro (0 lb/po<sup>2</sup>) lorsque le bouton est au réglage de fonctionnement minimum. Si l'on tourne continuellement le bouton de régulateur et dépasse le réglage de fonctionnement minimum (dans le sens antihoraire), cela pourrait mener à une situation où le bouton du régulateur se desserrera et tombera.

#### ⚠ AVERTISSEMENT

*Si le manomètre de sortie est à zéro (0) lb/po<sup>2</sup> (6,9 kPa), il ne faut PAS tourner le bouton dans le sens antihoraire.*

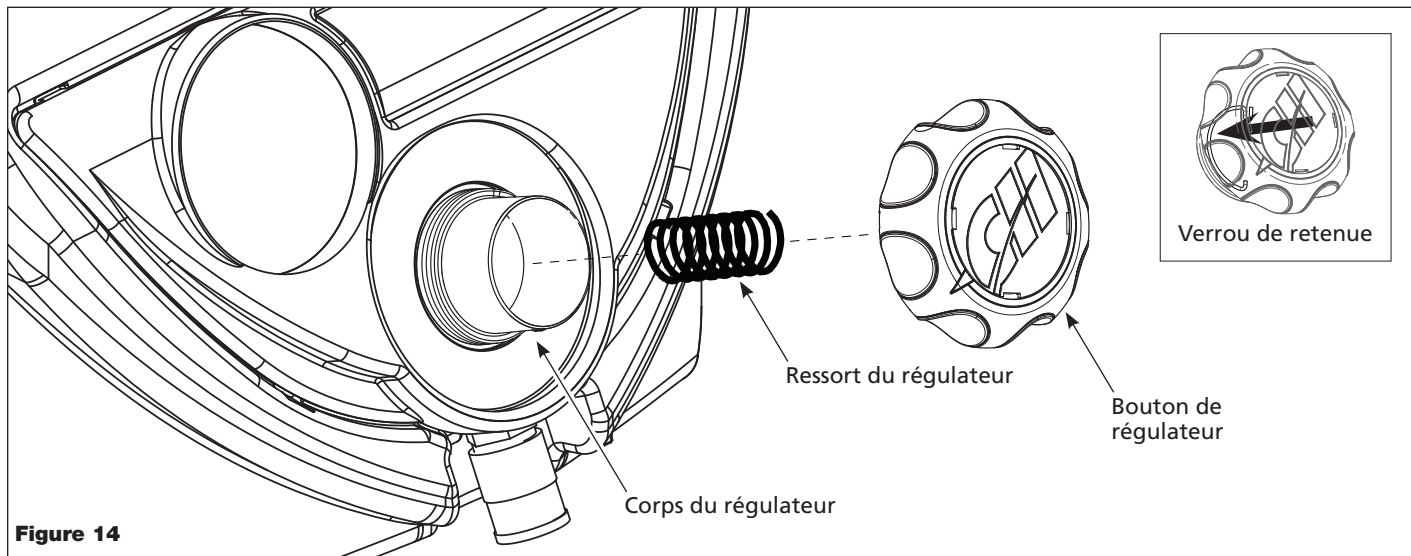


Figure 14



## Fonctionnement (Suite)

### ⚠ AVERTISSEMENT

*Si le bouton de régulateur est tourné et si l'on n'entend plus de « clic », il ne faut PAS tourner le bouton dans le sens antihoraire.*

### UTILISATIONS RECOMMANDÉES POUR CE COMPRESSEUR

- ◆ Entretien d'automobile
- ◆ Restauration d'automobile
- ◆ Cloueuses et agrafeuses
- ◆ Entretien résidentiel
- ◆ Gonflement
- ◆ Travail du bois

### OUTILS RECOMMANDÉS POUR CE COMPRESSEUR D'AIR

#### Utilisation continue —

- Accessoires de gonflement
- Brosse pneumatique
- Tournevis pneumatiques
- Cloueuses de pointes de vitrier et agrafeuses
- Pistolets à calfeutrer
- Nettoyeurs à moteur
- Cloueuses de finition
- Pistolets à graisse
- Pistolets de pulvérisation résidentiels
- Clés à chocs
- Clés à cliquet
- Scies alternatives
- Cloueuses de toiture et encadrement

#### Usage intermittent (Courtes salves puissantes) —

- Burins pneumatiques
- Perceuses pneumatiques
- Pistolets de pulvérisation automobiles
- Meules à rectifier

#### Outils non recommandés —

- Machines à tronçonner
- Ponceuses à double action
- Ponceuses à grande vitesse
- Ponceuses à sautellement
- Ponceuses alternatives

### Fin du Fonctionnement/Rangement

1. Éteindre l'appareil.
2. Débrancher le cordon de la prise murale pour éviter tout dommage lorsque l'appareil n'est pas utilisé.
3. Porter des lunettes de sécurité, vidanger le réservoir d'air en tirant sur l'anneau de la soupape de sûreté. Utiliser l'autre main pour éloigner l'air dirigé vers le visage.
4. Vidanger le réservoir de toute condensation en ouvrant le robinet de vidange sur le côté du réservoir.
5. Le boyau à air devrait être débranché du compresseur et suspendu avec les extrémités ouvertes vers le bas pour permettre la vidange de l'humidité.
6. Le compresseur et le boyau doivent être rangés dans un endroit frais et sec.



Figure 15



Figure 16



Figure 17

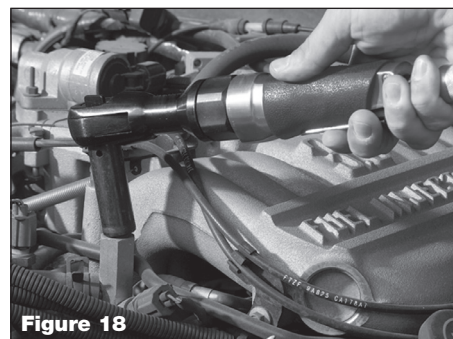


Figure 18



Figure 19

## Diagramme d'Expansion de Stockage d'Air / Unité

### BRANCHER LE COMPRESSEUR D'AIR MURAL AU RÉSERVOIR 2-EN-1 DE 30,3 LITRES (8 GALLONS) (ET200000)

**⚠ AVERTISSEMENT**

*Dégager toute pression du compresseur d'air mural avant de retirer tous raccords ou bouchons de l'appareil.*

Débrancher le compresseur d'air mural. Ouvrir le robinet de vidange du réservoir facile en tournant le bouton entièrement dans le sens contraire des aiguilles d'une montre pour dégager toute pression du compresseur d'air. Vérifier le manomètre du réservoir pour s'assurer que les lb/po<sup>2</sup> (kPa) sont à zéro (0).

Retirer le bouchon de 9,5 mm (3/8 po) du raccord fileté du compresseur d'air mural utilisant une clé hexagonale de 7,9 mm (5/16 po). Si le réservoir sera placé du côté gauche du compresseur d'air mural, retirer le bouchon du côté gauche du réservoir. Si le réservoir sera placé du côté droit du compresseur d'air mural, retirer le bouchon du côté droit du réservoir. Retirer le bouchon d'arrêt double du coupleur d'arrêt double à l'extrémité de l'assemblage du clapet de non-retour double du réservoir 2-en-1. Insérer le bouchon d'arrêt double dans l'ouverture fileté d'où vous venez de retirer le bouchon de 9,5 mm (3/8 po). Resserrer le bouchon d'arrêt double avec une clé de 17,4 mm (11/16 po). Terminer la connexion en replaçant le coupleur d'arrêt double sur le bouchon d'arrêt double que l'on vient d'installer. Après la connexion, l'air coulera automatiquement du réservoir du compresseur d'air mural dans le réservoir 2-en-1. Ceci permettra de mettre le réservoir 2-en-1 sous pression.

Fermer le robinet de vidange du réservoir facile en tournant le bouton dans le sens des aiguilles d'une montre. Brancher le compresseur d'air mural et mettre en marche. Le réservoir du compresseur d'air mural et le réservoir 2-en-1 devraient tous deux commencer à se mettre sous pression. Lorsque la pression atteint le maximum préétabli, le compresseur s'arrêtera automatiquement. Le réservoir 2-en-1 est maintenant prêt à être utilisé. Avec le réservoir 2-en-1 branché au compresseur mural, le volume d'air entreposé de votre système augmentera. Le réservoir 2-en-1 peut aussi être débranché du compresseur mural pour l'utiliser comme réservoir d'air portable.

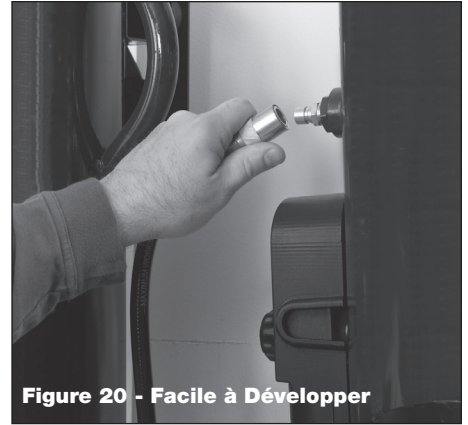


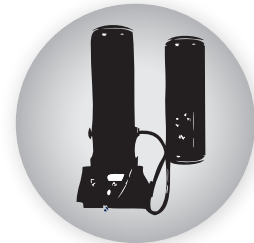
Figure 20 - Facile à Développer

**DÉVELOPPABLE**



**30,3 LITRES**

**Gonflage et attache**



**60,6 LITRES**

**Gonflage, attache et entretien des pneus**



**90,8 LITRES**

**Gonflage, attache, entretien des pneus et peinture**

Table 1

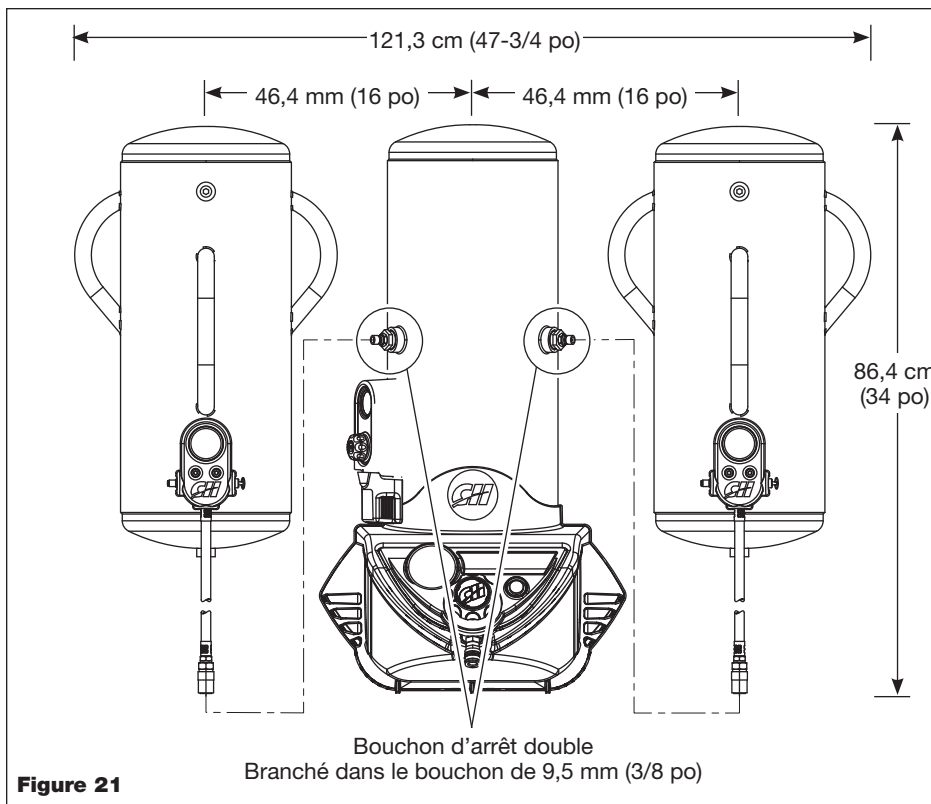


Figure 21



**Entretien**

**⚠ AVERTISSEMENT**

*Débrancher, étiqueter et verrouiller la source de courant, puis dégager toute pression du système avant d'essayer d'installer, de réparer, de déplacer ou de procéder à tout entretien de l'appareil.*



Toutes les réparations doivent être exécutées par un représentant de service autorisé.

Pour un fonctionnement efficace, exécuter le test suivant pour vérifier le fonctionnement libre hebdomadaire de la soupape de sûreté et suivre l'horaire d'entretien.

**Vidange du réservoir**

1. Éteindre le compresseur.
2. Se reporter au manomètre du réservoir pour vérifier la pression d'air du réservoir. Pour vidanger correctement le réservoir de toute condensation, la pression du réservoir doit être entre 138 et 414 kPa (20 à 60 lb/po<sup>2</sup>). Le système de vidange ne fonctionnera pas s'il n'y a pas de pression dans le réservoir. Si la pression du réservoir dépasse 414 kPa (60 lb/po<sup>2</sup>), vidanger le réservoir en tirant sur l'anneau de la soupape de sûreté. La soupape de sûreté devrait dégager l'air, puis se fermer automatiquement à environ 276 à 345 kPa (40 à 50 lb/po<sup>2</sup>).
3. Tourner lentement le bouton de vidange facile qui se trouve sous le manomètre du réservoir vers la gauche (dans le sens contraire des aiguilles d'une montre) jusqu'à ce que le fluide commence à remplir le godet. Surveiller la vidange pour s'assurer que le godet d'écoulement ne soit trop rempli. S'il y a beaucoup de fluide dans le réservoir, il faudra peut-être fermer le bouton du drain en tournant entièrement vers la droite (dans le sens des aiguilles d'une montre) pour ensuite retirer le godet pour jeter le fluide.
4. Lorsque le fluide cesse de sortir, fermer le drain en tournant le bouton jusqu'au bout à droite (dans le sens des aiguilles d'une montre).
5. Soulever et sortir le godet pour jeter le fluide vidangé. Replacer le godet en s'assurant de bien l'installer.

**Soupape de sûreté**

1. Brancher le compresseur et le faire fonctionner jusqu'à ce qu'il atteigne la pression d'arrêt (voir procédure de fonctionnement).
2. Porter des lunettes de sécurité, tirer l'anneau sur la soupape de sûreté pour dégager la pression du réservoir du compresseur. Il faut se protéger de l'air se déplaçant rapidement et pouvant être dégagé, ne pas permettre à l'air se déplaçant rapidement d'être dirigé vers le visage (voir la figure 23).
3. La soupape de sûreté devrait se fermer automatiquement à environ 276 kPa à 345 kPa (40 psi à 50 psi). Si la soupape de sûreté ne laisse pas sortir l'air en tirant sur l'anneau, ou si elle ne se ferme pas automatiquement, il FAUT la remplacer.

**SERVICE TECHNIQUE**

Pour obtenir de l'information sur le fonctionnement ou la réparation de ce produit, appeler le 1-800-543-6400.

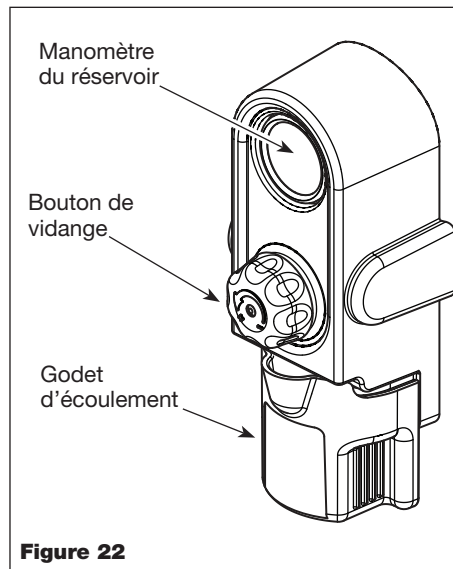


Figure 22

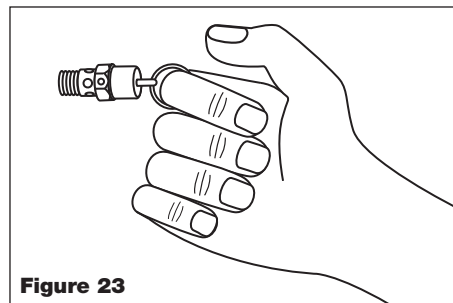


Figure 23

HORAIRE D'ENTRETIEN			
OPÉRATION	QUOTIDIEN	HEBDOMAD AIRE	MENSUEL
PURGER LE RÉSERVOIR	●		
VÉRIFIER LA SOUPAPE DE SÛRETÉ		●	
NETTOYER LE MODÈLE			●

## Guide De Dépannage

### **AVERTISSEMENT**

*Cessez l'utilisation de la cloueuse immédiatement en cas des problèmes suivants, car il résulte risque de blessures graves. Toutes réparations doivent être effectuées par un Technicien Qualifié ou par un Centre De Service Autorisé.*

SYMPTÔME	CAUSE(S) POSSIBLE(S)	ACTION CORRECTIVE
Compresseur ne fonctionne pas	<ol style="list-style-type: none"> <li>L'unité est branchée à un cordon prolongateur</li> <li>Manque de puissance électrique</li> <li>Disjoncteur déclenché</li> <li>Surcharge thermique déclenché</li> <li>Manostat en panne</li> </ol>	<ol style="list-style-type: none"> <li>Quitter le cordon</li> <li>Modèle branché? Vérifier le fusible/disjoncteur ou surcharge du moteur</li> <li>Rajuster et trouver la source du problème</li> <li>Laisser le moteur refroidir pendant 30 minutes en débranchant l'appareil.</li> <li>Remplacer</li> </ol>
Le moteur ronron mais ne peut pas fonctionner ou fonctionne lentement	<ol style="list-style-type: none"> <li>Tension basse</li> <li>L'unité est branchée à un cordon prolongateur</li> <li>Bobinage du moteur court-circuité ou ouvert</li> <li>Clapet ou déchargeur défectueux</li> </ol>	<ol style="list-style-type: none"> <li>Vérifier avec un voltmètre</li> <li>Quitter le cordon</li> <li>Remplacer le moteur</li> <li>Remplacer ou réparer</li> </ol>
Fusibles sautés/le disjoncteur se déclenche à maintes reprises	<ol style="list-style-type: none"> <li>Taille de fusible incorrect, surcharge</li> <li>L'unité est branchée à un cordon prolongateur</li> <li>Clapet ou déchargeur défectueux.</li> </ol>	<ol style="list-style-type: none"> <li>Vérifier le type de fusible, utiliser un fusible à retardement. Débrancher les autres appareils électriques du circuit ou faire fonctionner le compresseur sur un circuit unique.</li> <li>Quitter le cordon</li> <li>Remplacer ou réparer</li> </ol>
Le protecteur de surcharge thermique se déclenche souvent	<ol style="list-style-type: none"> <li>Tension basse</li> <li>Filtre d'air obstrué</li> <li>Ventilation insuffisante/température de l'endroit trop haute</li> <li>L'unité est branchée à un cordon prolongateur</li> </ol>	<ol style="list-style-type: none"> <li>Vérifier avec un voltmètre</li> <li>Nettoyer le filtre (voir la section d'Entretien)</li> <li>Déménager le compresseur à un endroit bien ventilé</li> <li>L'unité est branchée à un cordon prolongateur</li> </ol>
Perte de pression dans le réservoir à air quand le compresseur se coupe	<ol style="list-style-type: none"> <li>Raccordements délogés (raccords, tuyaux, etc.)</li> <li>Soupape de vidange desserrée</li> <li>Fuite du clapet</li> </ol>	<ol style="list-style-type: none"> <li>Vérifier tous les raccordements avec de l'eau savonneuse et les serrer</li> <li>Serrer</li> <li>Démonter l'assemblage du clapet, nettoyer ou remplacer</li> </ol>
		<p><b>⚠ DANGER</b> <i>Ne pas démonter le clapet s'il y a de l'air dans les réservoirs; purger les réservoirs</i></p>
Humidité excessive dans l'air de décharge	<ol style="list-style-type: none"> <li>Eau excessive dans les réservoirs à air</li> <li>Humidité élevée</li> </ol>	<ol style="list-style-type: none"> <li>Purger les réservoirs à air</li> <li>Déménager à un endroit moins humide; utiliser un filtre en canalisation d'air</li> </ol>
Le compresseur fonctionne continuellement	<ol style="list-style-type: none"> <li>Pressostat défectueux dépassant la pression maximale</li> <li>Utilisation d'air excessif</li> <li>Usure d'anneau</li> </ol>	<ol style="list-style-type: none"> <li>Remplacer le manostat</li> <li>Diminuer l'utilisation d'air; le compresseur n'est pas assez puissant pour la demande</li> <li>Contactez votre centre de service local</li> </ol>
Le compresseur vibre	Boulons de montage desserrés	Serrer
Débit d'air plus bas que normal	<ol style="list-style-type: none"> <li>Soupape d'admission en panne</li> <li>Fuites de raccordements</li> </ol>	<ol style="list-style-type: none"> <li>Faire réparer le modèle par un agent autorisé</li> <li>Serrer les raccordements</li> </ol>



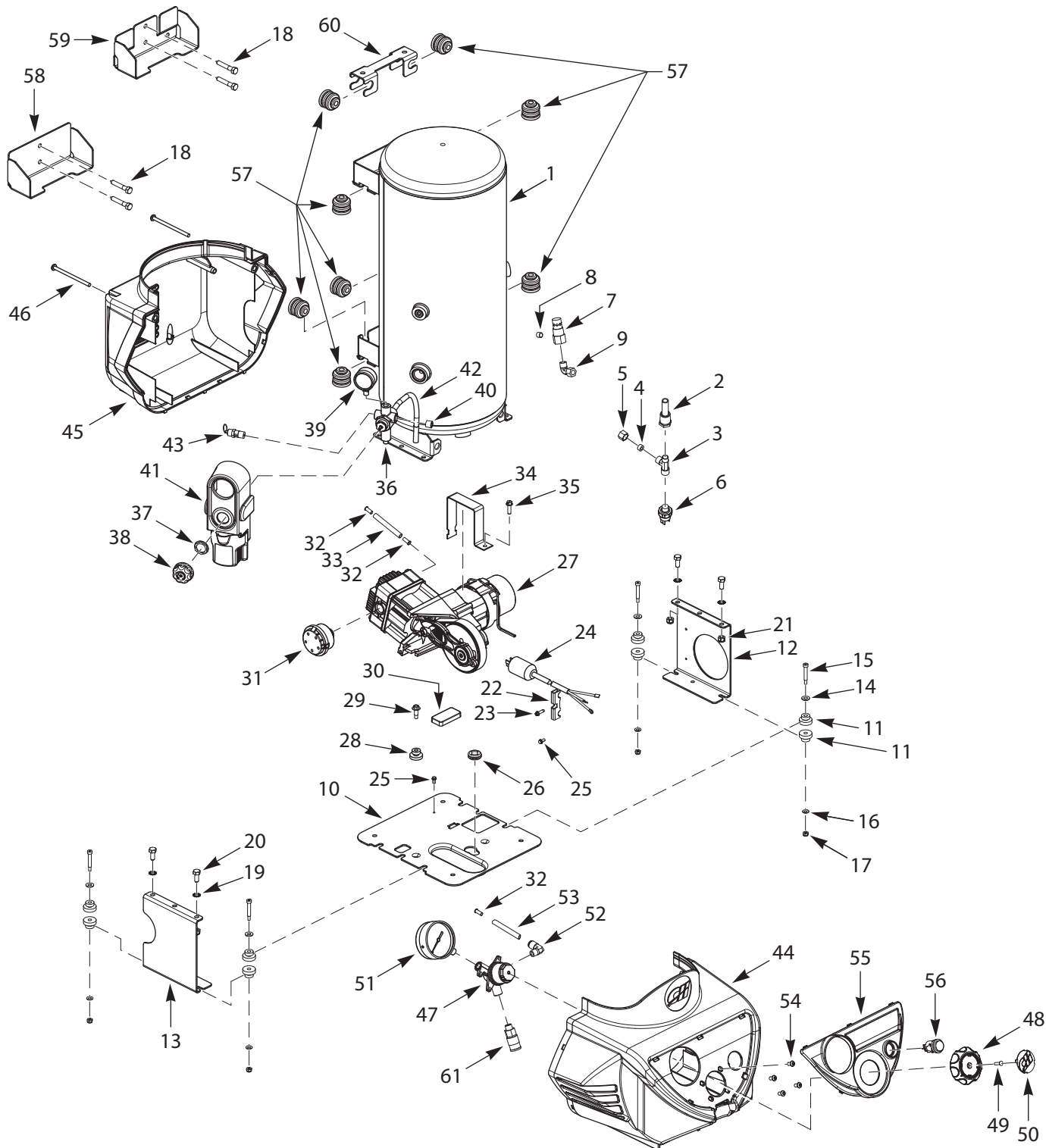
**Pour pièces de rechange ou assistance technique, appeler 1-800-543-6400**

*S'il vous plaît fournir l'information suivante :*

- Numéro de modèle
- Code imprimé sur l'outil
- Description de la pièce et son numéro

*Adresser toute correspondance à :*

Campbell Hausfeld  
 Attn: Customer Service  
 100 Production Drive  
 Harrison, OH 45030 U.S.A.



**Figure 24 - Liste de Pièces de Rechange pour le Compresseur d'Air Mural de 30,3 Litres (8 Gallons)**

## Liste de Pièces de Rechange pour le Compresseur d'Air Mural de 30,28 Litres (8 Gallons)

No. de Réf	Description	Numéro de Pièce	Qté.	No. de Réf	Description	Numéro de Pièce	Qté.
1	Réservoir mural de 30,28 litres (8 gallons)	AR060900BR	1	36	Robinet de purge	D-140700AV	1
2	Douille de raccord de tuyau 12,7 mm (1/2 po) NPT	WL042500AV	1	37	Ensemble rondelle et contre-écrou	△	1
3	Té - Tube de branche mâle	ST197800AV	1	38	Vis et bouton de vidange	WL046100SJ	1
4	Raccords de Compression - STD	▲	1	39	Manomètre	GA032900AV	1
5	Écrou - Compression - rég.	▲	1	40	Bouton de tuyau de 6,3 mm (1/4 po) 18 NPT	*	1
6	Manostat	CW218300AV	1	41	Épaulement de vidange et godet	△	1
7	Soupape de retenue	CV221517AV	1	42	Tube de vidange avec poids	WL046400AV	1
8	Bouchon de tuyau 1/8 - 27	*	1	43	Soupape de sûreté	V-215108AV	1
9	Tube de 9,6 mm (3/8 po) x 6,3 mm (1/4 po) NPT Coude de compression	ST072226AV	1	44	Couvercle de protection avant	WL041900AV	1
10	Plaque - base	BA116000AV	1	45	Couvercle arrière	WL042000AV	1
11	Monture d'isolement	■	8	46	Vis autotaraudeuse, Phillips cylindrique 6,3 mm (1/4 po)	*	2
12	Plaque de suspension - droite	BA116100AV	1	47	Régulateur équipé	RE300200AV	1
13	Plaque de suspension - gauche	BA116200AV	1	48	Bouton de régulateur	◆	1
14	Rondelle - Type simple « A »	■	4	49	Vis autotaraudeuse #10 x 0,75	◆	1
15	Vis à épaulement de 6,3 mm (1/4 po)	■	4	50	Couvercle de bouton du régulateur	◆	1
16	Rondelle - Type simple « A »	■	4	51	Manomètre	GA032700AV	1
17	Contre-écrou, Al - garniture de nylon	■	4	52	Coude à pousser pour la connexion	ST119704AV	1
18	Vis tire-fond, 7,9 mm (5/16 po) x 50,8 mm (2 po) LG	▼	4	53	Tube de nylon flexible	WL021412AV	1
19	Rondelle de blocage de 7,9 mm (5/16 po) dent externe	*	4	54	Vis bouton hexagonal de 6,3 mm (1/4 po) - 20	ST071626AV	4
20	Vis - tête hexagonale à métaux	*	4	55	Panneau de commande	WL042300AV	1
21	Écrou d'arrêt, élastique	AL014000AV	4	56	Interrupteur Marche / Arrêt	ST195600AV	1
22	Pince SJT/SJT	●	1	57	Isolateur - Mur	ST195700AV	8
23	Vis de blocage Condor	●	1	58	Fixation de montage inférieure	▼	1
24	Cordon et fiche	EC012602AV	1	59	Fixation de montage supérieure	▼	1
25	Vis - tête de rondelle hexagonale taraudeuse	ST074407AV	2	60	Chapeau de fixation de montage	▼	1
26	Passe-fil de caoutchouc	WL008000AV	1	61	Raccord	HF169201AV	1
27	Montage de pompe / moteur	WL390101SJ	1	<b>NÉCESSAIRES DE PIÈCES DE RECHANGE</b>			
28	Monture d'isolement	WL003204AV	1	▲	Kit de tuyau de ventilation	WL005908SJ	
29	Boulon d'épaulement	ST158000AV	1	■	Trousse d'isolateur de vibrations	WL003202SJ	
30	Tampons isolateur	WL007802AV	1	●	Trousse de collier de serrage	CW209600SJ	
31	Filtre d'admission	WL026100AV	1	◆	Trousse de bouton de régulateur	RE300300SJ	
32	Bague	▲	3	▼	Trousse de fixation de montage	WL045600SJ	
33	Tube d'échappement flexible	▲	1	△	Trousse de godet d'écoulement et épaulement	WL046200SJ	
34	Support du moteur	BA018300AV	1	—	Pas disponible		
35	Vis autotaraudeuse	ST073236AV	1	*	Article normal de quincaillerie - disponible à votre quincaillerie locale		



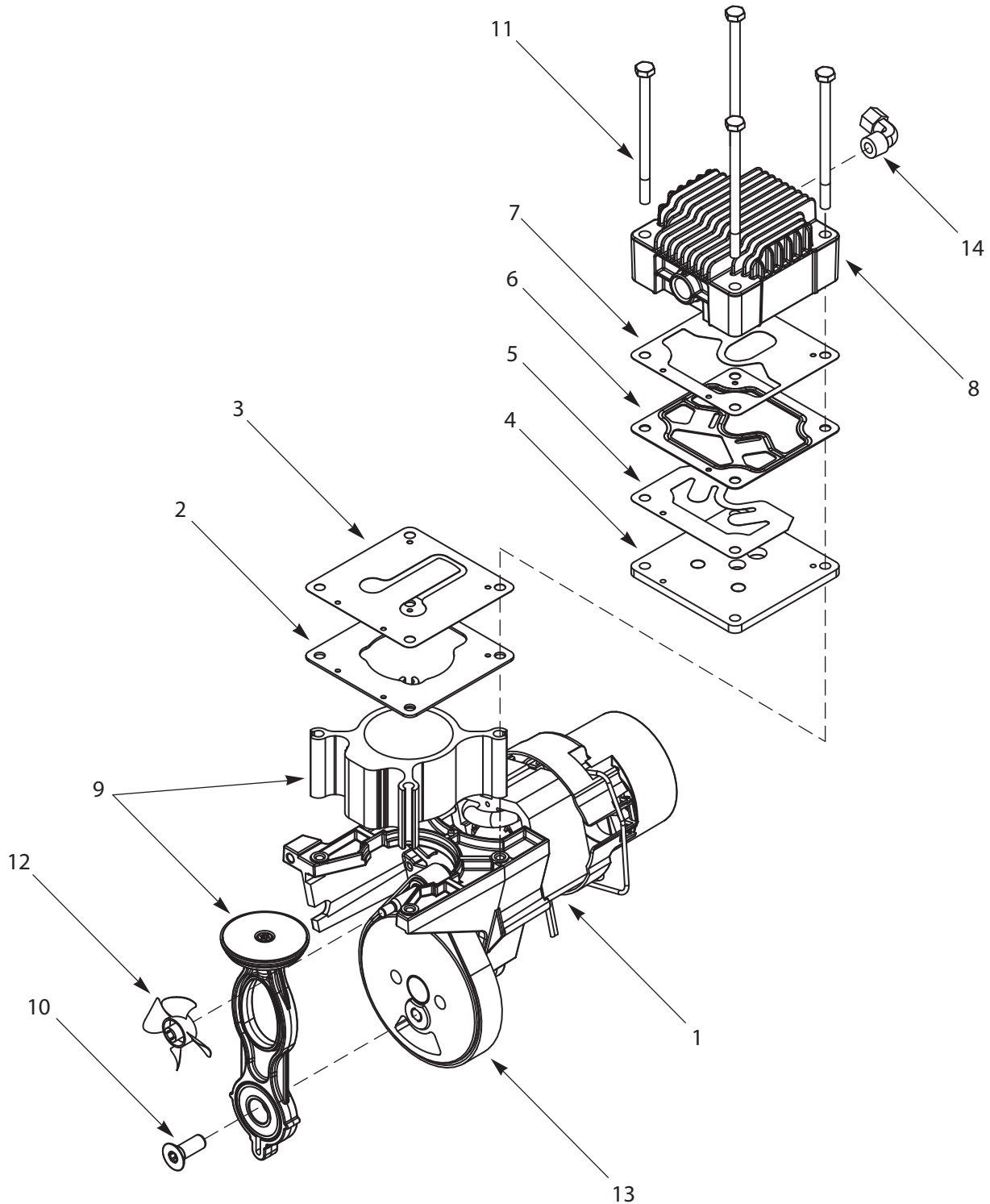
**Pour pièces de rechange ou assistance technique, appeler 1-800-543-6400**

*S'il vous plaît fournir l'information suivante :*

- Numéro de modèle
- Code imprimé sur l'outil
- Description de la pièce et son numéro

*Adresser toute correspondance à :*

Campbell Hausfeld  
 Attn: Customer Service  
 100 Production Drive  
 Harrison, OH 45030 U.S.A.



**Figure 25 - Liste de Pièces de Rechange pour la Pompe de Compresseur d'Air Mural de 30,3 Litres (8 Gallons)**

**Liste de Pièces de Rechange pour la Pompe de Compresseur d'Air Mural de 30,28 Litres (8 Gallons)**

No. de Réf.	Description	Numéro de Pièce	Qté.
1	Jeu de moteur équipé (#2, 3, 6, 7, 10, 12, & 14 compris)	WL019100SJ	1
2	Joint d'étanchéité de cylindre	▲	1
3	Soupape d'admission	▲	1
4	Plaque de soupape	▲	1
5	Soupape d'échappement	▲	1
6	Joint d'étanchéité de culasse	▲	1
7	Joint de soupape d'échappement	▲	1
8	Culasse	WL010500AV	1
9	Montage de piston (#10 compris)	WL211000SJ	1
10	Vis à tête plate de 3/8 po	ST071804AV	1
11	Vis a tete hex. de 1/4 po-20 x 4 po	■	4
12	Ventilateur	WL008400AV	1
13	Jeu de courroie (#10, 12, soupape de retenue, y viroles compris)	WL015305SJ	11
14	Raccords de compression - coude	ST072224AV	1
<b>NÉCESSAIRES DE PIÈCES DE RECHANGE</b>			
▲	Jeu de plaque de soupape (#2-7 compris)	WL211201SJ	1
■	Jeu de boulons à tête (4 chaque, pièce #11)	WL211100AJ	1

**COUPLE**

Boulon de piston . . . . . 403 à 518 cm kg (350 à 450 po lb)

Boulons à tête . . . . . 104 à 138 cm kg (90 à 120 po lb)

**Mémento:** Gardez votre preuve datée d'achat à fin de la garantie! Joignez-la à ce manuel ou classez-la dans un dossier pour plus de sécurité.

## Garantie Limitée

1. DURÉE: À partir de la date d'achat par l'acheteur original comme suit : Un An.
2. GARANTIE ACCORDÉE PAR (GARANT) :  
Campbell Hausfeld/Scott Fetzer Company, 100 Production Drive, Harrison, Ohio, 45030, Téléphone: (800) 543-6400.
3. BÉNÉFICIAIRE DE CETTE GARANTIE (ACHETEUR) : L'acheteur original (sauf en cas de revente) du produit Campbell Hausfeld.
4. PRODUITS COUVERTS PAR CETTE GARANTIE : N'importe quel compresseur d'air Campbell Hausfeld.
5. COUVERTURE DE LA PRÉSENTE GARANTIE : Pièces et Main d'œuvre pour remédier à de défauts importants causés par matériau et main d'œuvre pendant la première année de possession avec les exceptions indiquées ci-dessous. Pièces seulement pour remédier à de défauts importants causés par matériau et main d'œuvre pendant le temps restant de la couverture avec les exceptions indiquées ci-dessous.
6. LA PRÉSENTE GARANTIE NE COUVRE PAS :
  - A. Les garanties implicites, y compris celles de commercialisation et D'ADAPTATION À UNE FONCTION PARTICULIÈRE SONT LIMITÉES À PARTIR DE LA DATE D'ACHAT INITIALE TELLE QU'INDIQUÉE DANS LA SECTION DURÉE. Si le compresseur d'air est utilisé pour une fonction commerciale, industrielle ou pour la location, la durée de la garantie sera quatre-vingt-dix (90) jours de la date d'achat. Les compresseurs de deux étages ne sont pas limités à une garantie de quatre-vingt-dix (90) jours si utilisés dans les applications commerciales ou industrielles. Certaines Provinces (États) n'autorisent pas de limitations de durée pour les garanties implicites, donc les limitations précédentes peuvent donc ne pas s'appliquer.
  - B. TOUT DOMMAGE, PERTE OU DÉPENSE FORTUIT OU INDIRECT POUVANT RÉSULTER DE TOUT DÉFAUT, PANNE OU MAUVAIS FONCTIONNEMENT DU PRODUIT CAMPBELL HAUSFELD. Quelques Provinces (États) n'autorisent pas l'exclusion ni la limitation des dommages fortuits ou indirects. La limitation ou l'exclusion précédente peut donc ne pas s'appliquer.
  - C. Toute panne résultant d'un accident, d'une utilisation abusive, de la négligence ou d'une utilisation ne respectant pas les instructions données dans le(s) manuel(s) accompagnant le produit.
  - D. Service avant livraison; le montage, l'huile ou la graisse et les réglages par exemple.
  - E. Articles ou services qui sont exigés pour l'entretien normal du produit; graisses, filtres et joints d'étanchéité par exemple.
  - F. Les moteurs à essence et les pièces détachées sont expressément exclus de cette garantie limitée. L'acheteur doit observer la garantie du fabricant de moteur qui est fournie avec le produit.
  - G. Articles supplémentaires qui ne sont pas couverts sous cette garantie :
    1. Articles exclus relatifs à Tous les Compresseurs
      - a. Toutes pièces détachées endommagées pendant l'expédition, n'importe quelle panne causée par un montage ou fonctionnement du modèle sous des conditions qui ne se conforment pas aux directives de montage et de fonctionnement ou dommage causé par le contact avec les outils ou les alentours.
      - b. La défaillance de la pompe ou de la soupape causée par la pluie, l'humidité excessive, un environnement corrosif ou autres polluants.
      - c. Les défauts de forme qui n'ont pas d'effet sur le fonctionnement du compresseur.
      - d. Les réservoirs rouillés, y compris mais sans s'y limiter à la rouille causée par la vidange incorrecte ou par un environnement corrosif.
      - e. Les composants suivants sont considérés comme des articles sujets à l'usure normale et ne sont pas couverts après le premier an de possession. Moteur électrique, soupape de retenue, interrupteur de pression, régulateur, manomètres, tuyaux, tubes, raccords, vis, écrous, articles de quincaillerie, courroies, poulies, volant, filtre d'air et boîtier, joints d'étanchéité, fuites d'air et d'huile, consommation ou usage d'huile, anneaux de piston.
      - f. Robinets de vidange.
      - g. Dommage dû à la tension ou installation de fils incorrecte.
      - h. Autres articles non indiqués mais considérés pièces d'usure générale.
      - i. Manostats, régulateurs d'air et soupapes de sûreté qui ont été modifiés d'après les réglages de l'usine.
      - j. Dommage causé par l'entretien insuffisant du filtre.
      - k. Moteurs à induction utilisant l'électricité produite par un générateur.
    2. Compresseurs Graissés
      - a. Usure de la pompe ou dommage aux soupapes causé par l'utilisation d'huile non-spécifiée.
      - b. Usure de la pompe ou dommage aux soupapes causé par toute contamination d'huile ou par le manque de suivre les directives d'entretien d'huile.
      - c. Usure ou dommage de la pompe causé par le manque de suivre les directives d'entretien d'huile, fonctionnement avec le niveau d'huile au dessous du bon niveau ou fonctionnement sans huile.
  - H. Main d'œuvre, appel de service, ou frais de transport après le premier an de possession de compresseurs stationnaires. Les compresseurs stationnaires sont identifiés par l'absence de manchon ou de roues.
7. RESPONSABILITÉS DU GARANT AUX TERMES DE CETTE GARANTIE : Réparation ou remplacement, au choix du Garant, d'un compresseur ou d'une pièce détachée qui s'est révélé défectueux ou qui n'est pas conforme pendant la durée de validité de la garantie.
8. RESPONSABILITÉS DE L'ACHETEUR AUX TERMES DE CETTE GARANTIE :
  - A. Fournir une preuve d'achat datée et un état d'entretien.
  - B. Appelez Campbell Hausfeld (800-543-6400) pour obtenir vos options de service sous garantie. Les frais de transport sont la responsabilité de l'acheteur.
  - C. Utilisation et entretien du produit avec un soin raisonnable, ainsi que le décrit le(s) manuel(s) d'utilisation.
  - D. Réparations qui exigent de temps additionnel, taux de charge de fin de semaine, ou tout problème au-delà du taux normal de remboursement par main d'œuvre de réparations sous garantie du fabriquant.
  - E. Temps nécessaire pour tout contrôle de sécurité, entraînement de sécurité, ou situation semblable parce que le personnel de service puisse obtenir l'accès à l'installation.
  - F. L'emplacement de l'unité doit être facilement accessible et avoir l'espace suffisant parce que le personnel de service puisse effectuer les réparations.
9. RÉPARATION OU REMPLACEMENT EFFECTUÉ PAR LE GARANT AUX TERMES DE LA PRÉSENTE GARANTIE : La réparation ou le remplacement sera prévu et exécuté en fonction de la charge de travail dans le centre de service et dépendra de la disponibilité des pièces de rechange. Cette Garantie Limitée s'applique aux É.-U., au Canada et au Mexique seulement et vous donne des droits juridiques précis. L'acheteur peut également jouir d'autres droits qui varient d'une Province, d'un État ou d'un Pays à l'autre.



# **Compresor Neumático de 30,3 Litros para Montaje en la Pared**

Manual de Instrucciones y Lista de Piezas

**WL675000**



**ENGLISH: Page 1**  
**FRANÇAISE: Page 23**

## Índice

---

Descripción.....	S-47	Funcionamiento .....	S-55
Especificaciones .....	S-47	Antes de Arrancarlo por Primera vez Procedimiento de Ablande....	S-55
Medidas de seguridad .....	S-48	Antes de Cada Procedimiento de Arranque .....	S-56
Símbolos de seguridad.....	S-48	Preparacion para el Uso .....	S-56
Information importante sur la sécurité .....	S-48	Ciclo de Encendido/Apagado del Compresor.....	S-56
Instrucciones sobre peligro de incendios, choque eléctrico o lesiones personales.....	S-48	Perilla del Regulador Con Ajustes Prefijados .....	S-56
Proposición 65 de California .....	S-48	Usos Recomendados para este Compresor .....	S-57
General .....	S-48	Recomendaciones de Herramientas para este Compresor de Aire .....	S-57
Área de trabajo .....	S-48	Finalización del funcionamiento/ almacenamiento.....	S-57
Seguridad personal .....	S-49	Diagrama Expandido del Almacenamiento de Aire / Unidad .	S-58
Uso y Cuidado.....	S-49	Mantenimiento .....	S-59
Precauciones para Rociar.....	S-50	Guía de resolución de problemas ..	S-60
Servicio .....	S-50	Registro de Servicios.....	S-61
Desempaque.....	S-50	Lista de Piezas de Repuesto para el Compresor para Montaje en la Pared de 30,2 l (8 galones).....	S-62
Contenidos .....	S-50	Lista de Piezas de Repuesto para la Bomba del Compresor para Montaje en la Pared de 30,2 l (8 galones).....	S-64
Artículos adicionales no incluidos.....	S-50	Garantía.....	S-66
Ensamblaje .....	S-50		
Glosario .....	S-51		
Conozca su Compresor para Montaje en la Pared como un Profesional .....	S-52		
Características .....	S-52		
Montaje .....	S-53		
Instalación.....	S-55		

---

### Por información sobre piezas, productos y servicios

**LLAME:** Atención al cliente al 1-800-543-6400

**DIRIJA TODA LA CORRESPONDENCIA A:** Campbell Hausfeld  
Attn: Customer Service  
100 Production Drive  
Harrison, OH 45030 U.S.A.





# Compresor Neumático de 30,3 Litros para Montaje en la Pared



## Descripción

Las unidades de compresores de aire están diseñadas para proporcionar aire comprimido a herramientas neumáticas y para hacer funcionar pistolas de rociado. Las aplicaciones que requieran aire sin aceite ni agua deben tener el filtro adecuado instalado. La unidad del compresor de aire se debe instalar como se describe en las instrucciones. Cualquier otro uso de estas unidades anulará la garantía y el fabricante no será responsable por los problemas o daños que resulten de estos usos inadecuados.



Figura 1 - WL675000

## Especificaciones

**Modelo WL675000**

**Capacidad Tanque:**  
30,28 Litros (8 Gallons)

**CP:** 1,7

**Voltios:** 120V

**Amps:** 14,5

**Entrada de Aire:**  
6,4 mm (1/4 pulg.) NPT

**Weight:** 30,84 kg

### Dimensiones

**Longitud:** 45,72 cm

**Anchura:** 45,72 cm

**Altura:** 90,17 cm

**m<sup>3</sup>/min de Aire Libre**

**@ 6,21 bar:** 2,55

**@ 2,76 bar:** 1,13

Registre en el espacio provisto a continuación el Número de modelo, el Número de serie y la fecha de compra que aparecen abajo.

No. del Modelo **WL675000**

No. de Serie \_\_\_\_\_

Fecha de Compra \_\_\_\_\_

Guarde estos números para referencia en el futuro.

## Medidas de Seguridad

Este manual contiene información que es muy importante que se conozca y comprenda. Esta información se proporciona con fines de SEGURIDAD y para EVITAR PROBLEMAS CON EL EQUIPO. Para ayudar a reconocer esta información, observe los siguientes símbolos.

**▲ PELIGRO** Peligro indica una situación inminentemente peligrosa, que si no se evita, dará como resultado la muerte o lesiones graves.

**▲ ADVERTENCIA** Advertencia indica una situación potencialmente peligrosa, que si no se evita, PODRÍA ocasionar la muerte o lesiones graves.

**▲ PRECAUCION** Precaución indica una situación potencialmente peligrosa, que si no se evita, PUEDE dar como resultado lesiones leves o moderadas.

**AVISO** Aviso indica una información importante, que de no seguirla, le podría ocasionar daños al equipo.

## Símbolos de seguridad

Los siguientes símbolos de seguridad aparecen a lo largo de este manual para advertirle de importantes peligros y precauciones de seguridad.



Use protección para los ojos y máscara



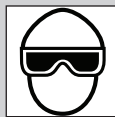
Lea primero el manual



Riesgo de lesiones personales



Riesgo de caída



Use protección para los ojos



Use protección para los oídos



Riesgo de incendio



Riesgo de explosión



Riesgo de choque eléctrico

## Importantes Instrucciones De Seguridad

### INSTRUCCIONES EN REFERENCIA AL PELIGRO DE INCENDIOS, CHOQUE ELÉCTRICO O LESIONES PERSONALES

Este manual contiene información sobre seguridad, funcionamiento y mantenimiento. Si tiene preguntas, llame al 1-800-543-6400 para obtener asistencia al cliente.

Como el compresor de aire y otros componentes usados (bomba de material, pistolas pulverizadoras, filtros, lubricadores, mangueras, etc.) integran un sistema de alta presión, en todo momento deberá seguir las siguientes medidas de seguridad:

### PROPOSICIÓN 65 DE CALIFORNIA

**▲ ADVERTENCIA** Este producto contiene químicos, incluido plomo, que el Estado de California reconoce como causantes de defectos de nacimiento y otros daños reproductivos. Lávese las manos después de manipularlo.

**▲ ADVERTENCIA** Cuando corta lija, taladra o pule materiales como por ejemplo madera, pintura, metal, hormigón, cemento, u otro tipo de mampostería se puede producir polvo. Con frecuencia este polvo contiene productos químicos que se conocen como causantes de cáncer, defectos congénitos u otros daños reproductivos. Use equipo de protección.



### ▲ PELIGRO

#### Advertencia sobre el aire respirable

Este compresor/cabezal no viene listo de fábrica para suministrarle aire respirable. Antes de utilizarlos con este fin, deberá instalarle un sistema de seguridad y alarma incorporado a la línea. Este sistema adicional es necesario para filtrar y purificar el aire adecuadamente, para cumplir con las especificaciones mínimas sobre aire respirable de Grado D descritas en la Especificación de Productos G 7.1 - 1966 de la Asociación de Aire Compri-mido. Igualmente, deberá cumplir los requisitos establecidos por el Artículo 29 CFR 1910. 134 de la Organización norteamericana OSHA y/o la Canadian Standards Associations (CSA).

#### RENUNCIA A LAS GARANTIAS

Si el compresor se utiliza para producir aire respirable SIN haberle instalado el sistema de seguridad y alarma, todas la garantías se anularán y la compañía Campbell Hausfeld no asumirá NINGUNA responsabilidad por pérdidas, heridas personales o daños.

### GENERAL

- Para reducir el riesgo de choque eléctrico, incendio y lesiones personales, lea todas las instrucciones antes de usar la unidad. Si no respeta las advertencias, los riesgos y las recomendaciones, eso podría resultar en la MUERTE o en LESIONES GRAVES.
  - Familiarícese con los controles y el uso adecuado del equipo. Siga todas las instrucciones. Póngase en contacto con su representante Campbell Hausfeld si tiene alguna pregunta.
  - Sólo se les debe permitir usar esta unidad a aquellas personas bien familiarizadas con estas reglas de manejo seguro.
- ▲ PRECAUCION** No haga ninguna modificación a la unidad sin obtener primero la aprobación por escrito de Campbell Hausfeld. Se pueden producir lesiones personales o daños.
- Siga todos los códigos de seguridad laboral establecidos en su país, por ejemplo, los de la NEC y OSHA en EUA.



### ÁREA DE TRABAJO

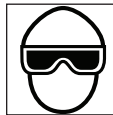
- Mantenga el área de trabajo limpia y bien iluminada. Los bancos desordenados y las áreas oscuras aumentan el riesgo de choque eléctrico, incendio y lesiones personales.

## Importantes Instrucciones De Seguridad (Continuación)

- b. Mantenga alejados a los observadores, niños y visitantes mientras hace funcionar la unidad. Las distracciones pueden dar como resultado la pérdida del control de la unidad.

### SEGURIDAD PERSONAL

- a. Manténgase alerta. Mire lo que está haciendo y use el sentido común cuando haga funcionar la unidad. No use la unidad si está cansado o bajo la influencia de drogas, alcohol o medicamentos. Un momento de desatención mientras hace funcionar la unidad aumenta el riesgo de lesiones personales.
- b. Vístase adecuadamente. No use alhajas ni vestimenta suelta. Sujétese el cabello largo. Mantenga el cabello, vestimenta y guantes alejados de las piezas móviles. La vestimenta suelta, las alhajas o el cabello largo aumentan el riesgo de lesiones personales como resultado de quedar atrapados en las piezas móviles.
- c. No intente alcanzar lugares alejados. Mantenga un buen soporte y equilibrio en todo momento. Un soporte y equilibrio adecuados permiten un mejor control de la unidad en situaciones inesperadas.
- d. Use equipo de seguridad. Se debe usar una máscara para polvo, calzado de seguridad antideslizante y casco para las condiciones que se apliquen. Use anteojos de seguridad y protéjase los oídos para operar la unidad.



#### ADVERTENCIA

Asegurarse de que la unidad se use únicamente cuando el operador y todo el resto del personal en el área de trabajo estén usando equipo de protección ocular ANSI Z87 y demás equipo de protección de cabeza, oídos y pies. Pueden ocasionarse lesiones graves o permanentes de ojos y oídos.

### USO Y CUIDADO

- a. No se encaramo sobre la unidad ni la use para sostenerse.
- b. Trabaje siempre en un área bien ventilada. Use una máscara para polvo aprobada por OSHA.
- c. No despegue ninguna etiqueta de la unidad.

#### ADVERTENCIA

Nunca use tuberías de plástico (PVC) en sistemas de aire comprimido. El hacerlo podría ocasionarle heridas o daños a su propiedad.



#### AVISO

Drene el tanque diariamente para evitar que se oxide y el riesgo de haridas debido a un tanque dañado. Riesgo de explosión.

- d. Los tanques se oxidan debido a la acumulación de humedad. Cerciórese de drenar el tanque con regularidad e inspecciónelo periódicamente para ver si no está en buenas condiciones, por ejemplo si está oxidado.
- e. Si expulsa aire rápidamente podría levantar polvo o residuos dañinos. Libere el aire lentamente para drenar el tanque o liberar la presión del compresor.

#### PELIGRO

Nunca exceda la capacidad máxima de presión del tanque de 10,43 bar. Él hacerlo podría ocasionarle heridas o daños a su persona.

#### PELIGRO

No llene nunca el tanque de botellas de gas o de cualquier otro sistema que produzca más de 10,43 bar.

- f. No altere la válvula de alivio de seguridad. Si la válvula ha sido alterada, las garantías existentes quedan anuladas y Husky no se hace responsable por ninguna pérdida, herida personal o daño material.

#### PELIGRO

NUNCA trate de reparar o modificar un tanque. Si lo solda, taladra o le hace cualquier otro tipo de modificaciones lo dañaría y podría ocasionar rupturas o explosiones. Siempre reemplace los tanques desgastados, dañados o agrietados.

- g. Para liberar la presión de aire del tanque antes de darle servicio o reemplazar piezas, jale el anillo de la válvula de seguridad.

#### ADVERTENCIA

Se deben utilizar lentes durante el funcionamiento.



- h. Sólo para aire seco. No lo use para almacenar o dispersar líquidos o gases inflamables.
- i. Almacenamiento al cubierto. No almacene al abierto o en plena luz solar.
- j. Use sólo accesorios capacitados para un mínimo de 10,34 bar.
- k. Antes de cada uso cerciórese de que las mangueras de aire no estén deterioradas. Igualmente, cerciórese de que todas las conexiones estén bien apretadas. Chequee con frecuencia todas la conexiones y cerciórese de que estén bien apretadas.
- l. Antes de cada uso, revise el sistema de aire comprimido y los componentes eléctricos para ver si están dañados, deteriorados o hay fugas. Antes de usarlo cerciórese de reemplazar las piezas defectuosas.

#### ADVERTENCIA

Los motores, equipos eléctricos y controles, pueden ocasionar arcos eléctricos que se encenderían con gases o vapores inflamables. Nunca utilice o repare el compresor cerca de gases o vapores inflamables. Nunca almacene líquidos o gases inflamables cerca del compresor.



#### PRECAUCION

Las piezas del compresor podrían estar calientes inclusive si la unidad no está funcionando.



- m. Si el equipo comienza a vibrar excesivamente, APAGUE la unidad y chequeela inmediatamente para determinar el problema. Generalmente, la vibración se debe a una falla.

#### ADVERTENCIA

DEBE instalarle una válvula de seguridad ASME que esté diseñada para presiones máximas de 10,34 bar en el tanque de este compresor. Esta válvula debe estar diseñada para los valores máximos de flujo y presión para proteger los componentes bajo presión contra el peligro de explosión.

#### PRECAUCION

Vea las especificaciones del compresor en la calcomanía para la presión máxima operativa. No opere con el presostato o la válvula piloto ajustados a presiones más elevadas de la presión máx. operativa.

#### ADVERTENCIA

Para evitar lesiones o daños siempre libere la presión del tanque ANTES de quitar las conexiones roscadas.

## Importantes Instrucciones De Seguridad (Cont.)

### PRECAUCIONES PARA ROCIAR

**▲ ADVERTENCIA** *Nunca rocíe materiales inflamables cerca de llamas al descubierto o fuentes de ignición, incluyendo el compresor.*



- No fume mientras esté rociando pintura, insecticidas u otras sustancias inflamables.
- Use una máscara / respirador cuando vaya a rociar y siempre rocíe en un área bien ventilada, para evitar peligros de salud e incendios.
- Nunca rocíe la pintura y otros materiales, directamente hacia el compresor. Coloque el compresor lo más lejos posible del área de trabajo, para minimizar la acumulación de residuos en el compresor.
- Al rociar o limpiar con solventes o químicos tóxicos, siga las instrucciones del fabricante de dichos químicos.



### SERVICIO

El servicio de la unidad debe ser realizado sólo por personal de reparaciones calificado.

**NOTA:** Los símbolos de PELIGRO, ADVERTENCIA, PRECAUCIÓN, y AVISO y las instrucciones en este manual no pueden posiblemente cubrir todas las condiciones y situaciones posibles que puedan presentarse. El usuario debe entender que las precauciones y el sentido común son factores que no pueden incorporarse en este producto: es el usuario mismo quien debe contribuirlos.

**GUARDE ESTAS INSTRUCCIONES –  
NO LAS DESECHE**

## Desempaque

Después de desempacar la unidad, inspecciónela cuidadosamente para detectar cualquier daño que pueda haber ocurrido durante el envío. Verifique que no haya piezas sueltas, faltantes ni dañadas. Asegúrese de ajustar cualquier accesorio, tornillos, etc., antes de hacer funcionar la unidad. Asegúrese de que todos los accesorios proporcionados vengan con la unidad. En caso de que tenga preguntas, o de que haya piezas dañadas o faltantes, llame a 1-800-543-6400 para obtener asistencia al cliente.

### CONTENIDOS

- ◆ Compresor para montaje en la pared
- ◆ Aislantes de vibración (8)
- ◆ Soportes de montaje para pared (2)
- ◆ Tapa para soporte de montaje
- ◆ Tornillos de fijación (4)
- ◆ Instrucciones de funcionamiento
- ◆ Tarjeta de registro del producto

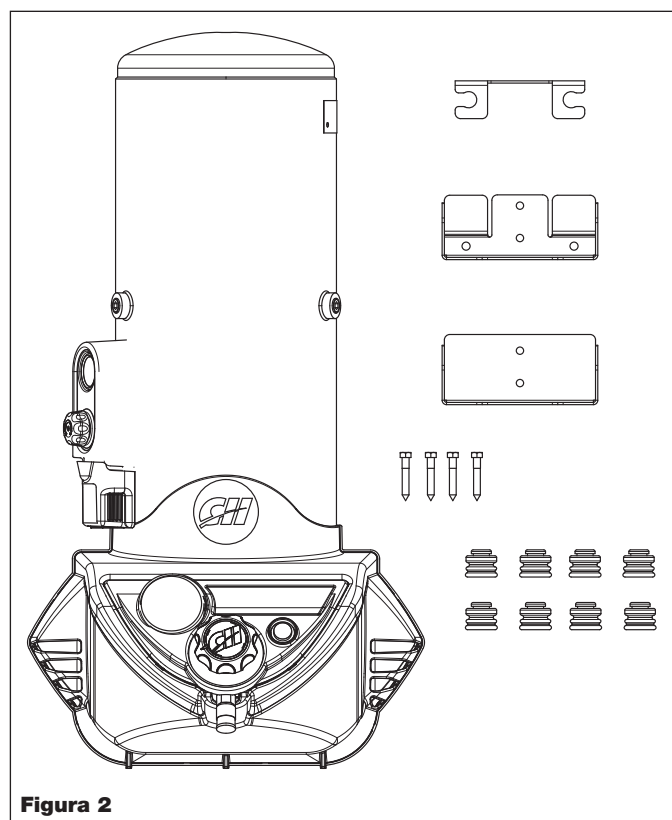


Figura 2

### ARTÍCULOS ADICIONALES NO INCLUIDOS

- ◆ Protección para los ojos ANSI Z87
- ◆ Debe usarse protección auditiva y otros dispositivos de protección personal

## Ensamblaje

Este Compresor para montaje en la pared se entrega totalmente ensamblado. Consulte la sección de Montaje para obtener una guía del montaje del compresor en la pared.



## Glosario

Familiarícese con estos términos antes de poner la unidad en funcionamiento.

**VÁLVULA DE SEGURIDAD ASME\*** - Esta válvula automáticamente libera el aire si la presión del tanque excede el valor máximo fijado de fábrica.

**ENTRADA DE AIRE** — La abertura en que se conecta el suministro de aire comprimido, por lo general a través de una conexión roscada.

**VÁLVULA DE CHEQUEO** — Esta válvula de un solo sentido permite la entrada de aire al tanque, pero evita que se regrese al cabezal.

**PRESIÓN DE AIRE MÁXIMA** — La presión máxima de aire comprimido permisible, según lo especificado por el fabricante, para el funcionamiento de la herramienta.

**PRESOSTATO** — Cuando el interruptor de encendido/apagado está en la posición “ON” (encendido) el interruptor de presión se activará automáticamente y apagará la bomba/motor cuando alcance la presión máxima. Una vez que la unidad se apague es posible que escuche un leve sonido de silbido o pérdida de aire. Esto es normal. Es causado por el compresor cuando descarga la alta presión restante del cabezal de la bomba. Puede durar varios segundos antes de detenerse. Cuando la presión del tanque baja a la presión mínima previamente fijada el interruptor de presión volverá a encender automáticamente la bomba/motor para volver a llenar el tanque.

**INTERRUPTOR DE ENCENDIDO/APAGADO** — Esta unidad está equipada con un interruptor de encendido/apagado iluminado. En la posición de encendido (ON) el botón estará presionado y el interruptor se encenderá. El interruptor permanecerá encendido mientras el botón esté presionado y haya energía en la unidad. El interruptor de presión encenderá o apagará automáticamente la bomba/motor basándose en la presión dentro del tanque. Si se desenchufa la unidad la luz no permanecerá encendida. En la posición de apagado (OFF) el botón no estará presionado y la luz no estará encendida.

**BAR (LIBRAS POR PULGADA CUADRADA)** — Unidades de medida de la presión ejercida por la fuerza del aire. La salida real en bar/psi se mide con un manómetro en el compresor.

**ACOPLADOR RÁPIDO** — Un acoplador rápido está diseñado para trabajar en combinación con un conector rápido para unir rápida y fácilmente una herramienta neumática con una manguera de aire.

**CONECTOR RÁPIDO** — Un conector rápido está diseñado para trabajar en combinación con un acoplador rápido para unir rápida y fácilmente una herramienta neumática con una manguera de aire.

**MANÓMETRO DE SALIDA** — Un dispositivo usado para controlar la presión del aire que pasa a una herramienta neumática.

**PERILLA DEL REGULADOR** — Un dispositivo usado para controlar la presión del aire que pasa a una herramienta neumática. Este regulador controla la cantidad de presión de aire en la salida de la manguera. Al girar la perilla del regulador hacia la derecha se aumentará la presión de aire en la salida. Al girar la perilla hacia la izquierda se disminuirá la presión de aire en la salida. Girar la perilla totalmente hacia la izquierda cerrará el flujo de aire por completo.

**PEGAMENTO FIJADOR DE ROSCAS** — Un pegamento para fijar que se aplica a las roscas de los tornillos antes de instalarlos. Evita que los tornillos se aflojen durante el funcionamiento de la herramienta.

**MEDIDOR DE PRESIÓN DEL TANQUE** — Indica la cantidad de presión de aire almacenada en el tanque.

**VÁLVULA DE DRENAJE DEL TANQUE** — Esta válvula se encuentra en el lado del tanque. Use esta válvula para drenar diariamente la humedad del tanque para reducir el riesgo de corrosión.

\* ASME: American Society of Mechanical Engineers. Los tanques ASME son fabricados de acuerdo con los requisitos de ASME.

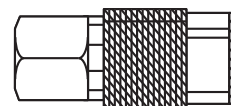


Figura 3 - Acoplador rápido

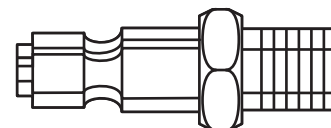


Figura 4 - Conector rápido

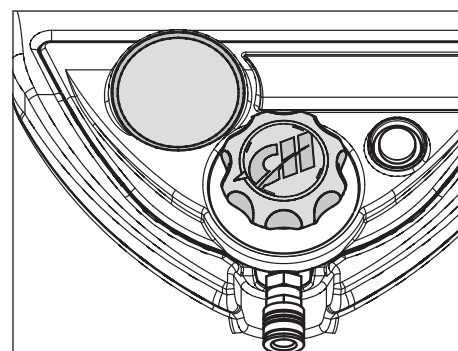


Figura 5 - Manómetro de Salida y Perilla del Regulador

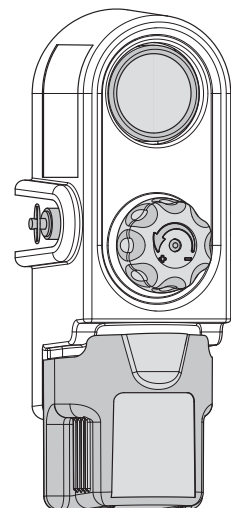


Figura 6 - Medidor de Presión del Tanque, Sistema de Drenaje del Tanque, y Válvula de Seguridad



## Conozca su Compresor para Montaje en la Pared como un Profesional

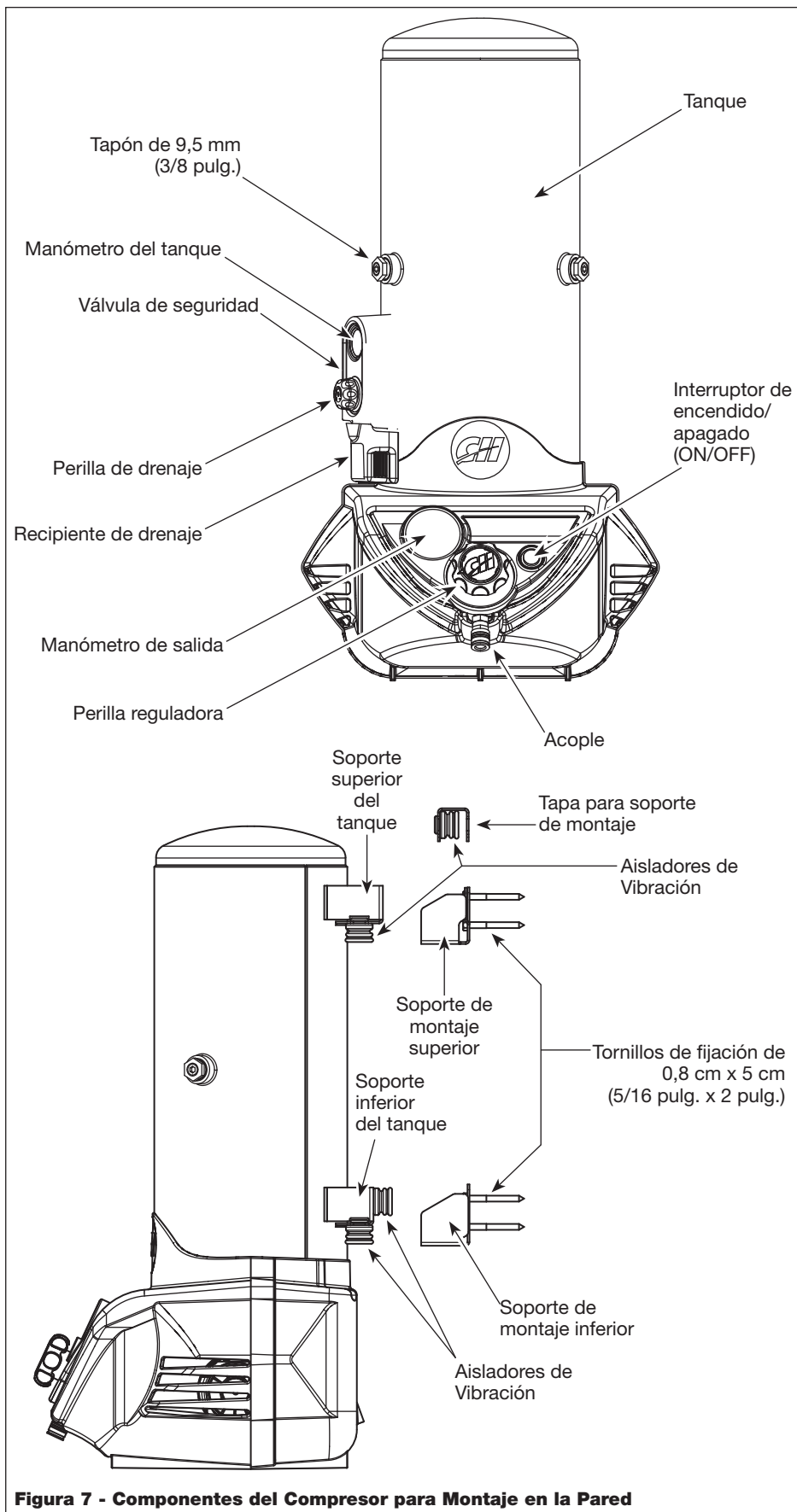


Figura 7 - Componentes del Compresor para Montaje en la Pared

### Características

#### VÁLVULA DE SEGURIDAD

Esta válvula libera el aire automáticamente si la presión del tanque supera el máximo preestablecido.

#### SOPORTES DE MONTAJE PARA PARED

Los soportes de montaje para pared se usan para instalar el tanque en la pared. Esta parte del producto se fija en forma permanente a la pared utilizando los tornillos de fijación que se incluyen.

#### AISLADORES DE VIBRACIÓN

Los aisladores de vibración evitan que las vibraciones creadas por el compresor se transfieran a la pared donde está instalada la unidad.

#### ACOPLE

El acople de conexión rápida se usa para conectar una manguera de aire entre el compresor y las herramientas.

#### RECIPIENTE DE DRENAJE

El recipiente de drenaje recoge el agua drenada del tanque. Esto permite deshacerse fácilmente del exceso de humedad del tanque.

#### PERILLA DE DRENAJE

La perilla de drenaje controla el proceso de drenaje: una forma práctica de eliminar la humedad del tanque.

## Montaje

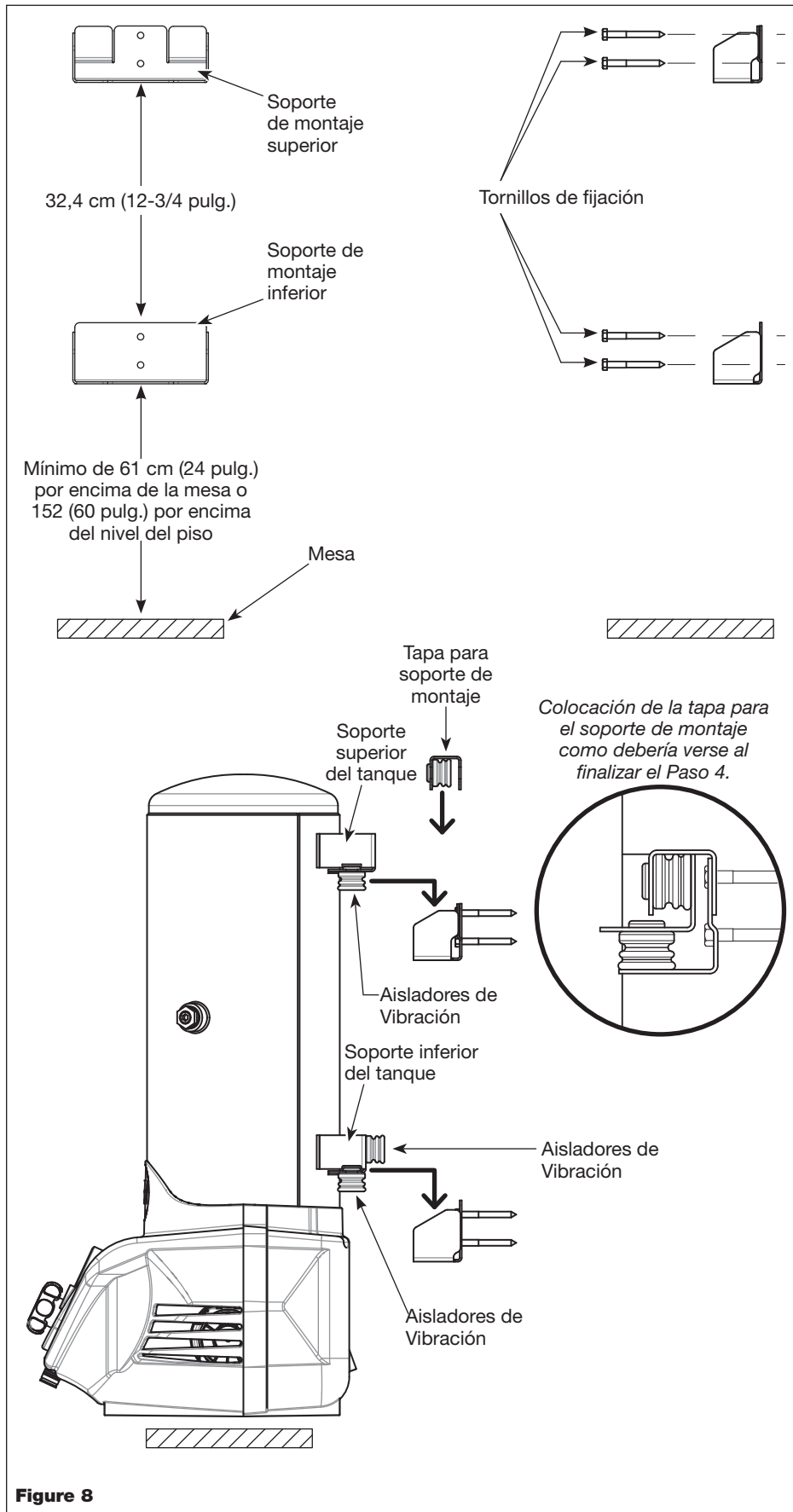


Figure 8

## Montaje (Continuación)

La parte inferior del soporte de montaje inferior debe estar a 61 cm (24 pulg.) por encima de la superficie de la mesa o a 152 cm (60 pulg.) del piso dependiendo el lugar en el que haya elegido colocar su compresor. Use el nivel para asegurar que el soporte de montaje inferior esté nivelado. Marque los dos orificios en la pared con el lápiz.

Estas marcas se usarán como una guía para perforar los orificios para los tornillos de fijación. Use el taladro y una broca de taladro de 5,6 mm (7/32 pulg.) para perforar los dos orificios para los tornillos de fijación en las marcas que acaba de realizar. Estos orificios se deben hacer de aproximadamente 5 cm (2 pulg.) de profundidad.

Fije a la pared el soporte de montaje inferior usando 2 de los tornillos de fijación que se incluyeron en la caja. Use la llave de 12,7 mm (1/2 pulg.) o cubo y trinquete de 12,7 mm (1/2 pulg.) o llave de tuercas de 12,7 mm (1/2 pulg.) para apretar los tornillos de fijación. Vuelva a verificar el nivel del soporte de montaje con el nivel para asegurar que se instale nivelado.

### PASO 2 - Asegure el Soporte de Montaje Superior a la Pared

Use el nivel para determinar el centro del travesaño por encima del soporte de montaje inferior. Use la cinta métrica para medir 32,4 cm (12-3/4 pulg.) a lo largo del centro del travesaño desde el centro superior del soporte de montaje inferior. Use el lápiz para colocar una marca horizontal sobre la pared en el centro del travesaño a 32,4 cm (12-3/4 pulg.). Coloque la parte inferior del soporte de montaje superior sobre la marca y use el nivel para asegurar que el soporte está nivelado y centrado en el travesaño con el soporte de montaje inferior.

Marque los dos orificios en la pared con el lápiz. Estas marcas se usarán como una guía para perforar los orificios para los tornillos de fijación. Use el taladro y una broca de taladro de 5,6 mm (7/32 pulg.) para perforar los dos orificios para los tornillos de fijación en las marcas que acaba de realizar. Estos orificios se deben hacer de aproximadamente 5 cm (2 pulg.) de profundidad. Fije a la pared el soporte de montaje superior usando 2 de los tornillos de fijación que se incluyeron en la caja. Use la llave de 12,7 mm (1/2 pulg.) o cubo y trinquete de 12,7 mm (1/2 pulg.) o llave de tuercas de 12,7 mm (1/2 pulg.) para apretar los tornillos de fijación. Vuelva a verificar el soporte de montaje superior con el nivel para asegurar que esté instalado nivelado y en línea con el soporte de montaje inferior.

### PASO 3 - Instalación de los Aisladores de Vibración

Ubique el soporte del tanque inferior en el compresor de aire. Deslice los cuatro aisladores de vibración sobre el soporte del tanque inferior como se muestra en la Figura 9 (A). Ubique el soporte del tanque superior en el compresor de aire. Deslice los dos aisladores de vibración sobre el soporte del tanque superior como se muestra en la Figura 9 (B). Ubique la tapa del soporte de montaje. Deslice los dos aisladores de vibración sobre la tapa del soporte de montaje como se muestra en la Figura 9 (C).

### PASO 4 - Cómo Levantar el Compresor de Aire Sobre los Soportes en la Pared

**⚠ ADVERTENCIA** SE RECOMIENDA ENCARECIDAMENTE QUE TRABAJEN DOS PERSONAS JUNTAS PARA LEVANTAR EL COMPRESOR DE AIRE SOBRE LOS SOPORTES PARA LA PARED.

Retire la tapa de drenaje del Sistema de drenaje fácil.

Levante el compresor para montaje en la pared por encima de los soportes de montaje de la pared como se muestra en la Figura 10. Luego apoye la unidad directamente hacia abajo sobre los soportes. Si esto no se realiza adecuadamente es posible que los aisladores de vibración no pasen por los soportes y queden desenganchados como se muestra en la Figura 10. Si los aisladores de vibración se desenganchan deberán ser reemplazados antes de poder continuar con la instalación.

Una vez que la unidad quede apoyada firmemente en los soportes de la pared deslice la tapa del soporte de montaje sobre la parte superior del soporte de montaje superior y el soporte superior del tanque como se muestra en la Figura 8. Asegúrese de que la tapa del soporte de montaje sujete el soporte superior del tanque al soporte del montaje superior antes de soltar el compresor para montaje en la pared ya que de lo contrario el compresor podría caerse provocando daños o lesiones.

Vuelva a colocar la tapa de drenaje del Sistema de drenaje fácil.

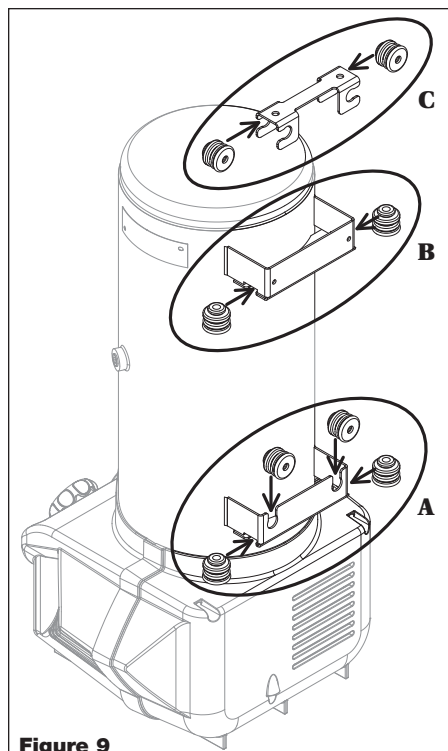


Figure 9

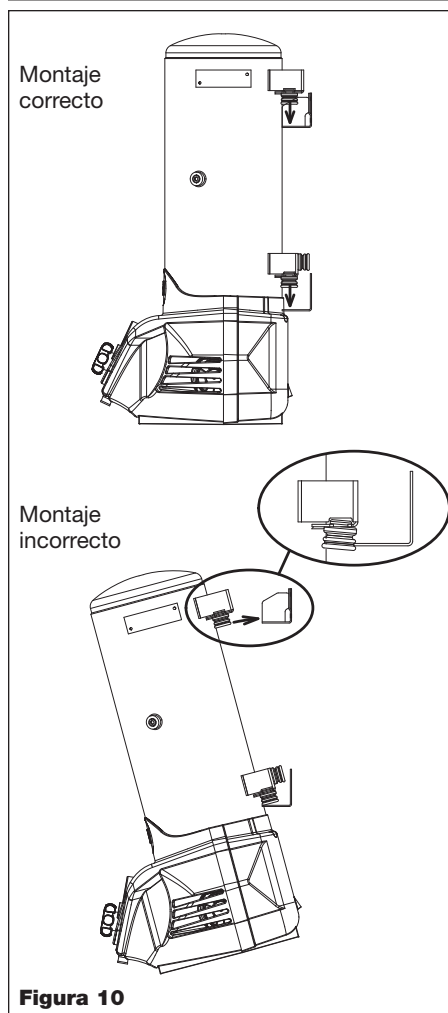


Figure 10

## Montaje (Continuación)

### INSTRUCCIONES PARA UNA PARED DE MAMPOSTERÍA

Deberá comprar por separado la ferretería de montaje requerida para instalaciones en hormigón o mampostería. Se recomienda usar un sujetador tipo manguito de 7,9 mm (5/16 pulg.) de diámetro por 6,35 cm (2-1/2 pulg.) de largo o un sistema de fijación que sea de 7,9 mm (5/16 pulg.) de diámetro. Siga las instrucciones proporcionadas con la ferretería para determinar la instalación correcta para esos sujetadores. Use las instrucciones para montaje en un travesaño de pared como guía para la colocación del sujetador.

## Instalación

### INFORMACIÓN ELÉCTRICA

#### ⚠ PRECAUCION

*Un cableado inadecuado provocará daños por sobrecalentamiento, cortocircuitos e incendio.*



Controle la compatibilidad de voltaje en la placa de datos del motor. El cable sólo debe ser enchufado en un tomacorriente conectado a tierra y puede necesitar un cable y enchufe nuevos que cumplan con los requisitos nacionales y los códigos locales de su área.

### INSTRUCCIONES DE CONEXIÓN A TIERRA

Este producto debe estar conectado a tierra. En caso de que suceda un corto circuito eléctrico, la conexión de descarga a tierra reduce el riesgo de choque eléctrico al proporcionar un cable de escape para la corriente eléctrica. La unidad está equipada con un cable que tiene una clavija para conexión a tierra.

#### ⚠ PELIGRO

*El uso inadecuado del enchufe con conexión a tierra puede dar como resultado un riesgo de choque eléctrico.*



**NOTA:** No use un adaptador de conexión a tierra.

#### ⚠ ADVERTENCIA

*Cuando convierta a un voltaje alternativo, asegúrese de que el cable de tierra (verde) del cordón sea conectado a la clavija de tierra del enchufe y al cuerpo de metal del interruptor de presión.*

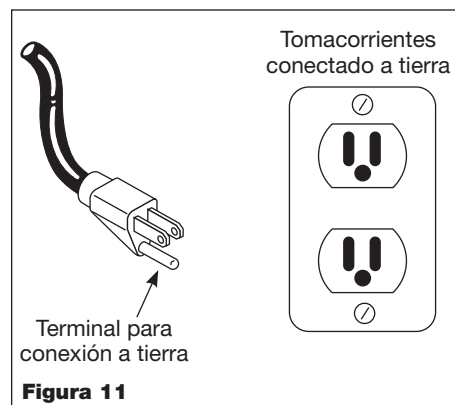


Figura 11

## Funcionamiento

### HUMEDAD EN EL AIRE COMPRIMIDO

La humedad que se acumula en el aire comprimido se convierte en gotas a medida que sale de la bomba. Cuando el nivel de humedad es muy alto o cuando el compresor ha estado en uso continuo por mucho tiempo, esta humedad se acumulará en el tanque. Cuando esté pintando o rociando arena, la humedad saldrá del tanque mezclada con el material que esté rociando.

**IMPORTANTE:** Esta condensación ocasionará manchas en la pintura, especialmente cuando esté pintando con pinturas que no sean a base de agua. Si está rociando arena, la humedad hará que la arena se aglutine y obstruya la pistola. Instale un filtro de línea, ubicado lo más cerca posible de la pistola, para tratar de eliminar este problema.

### ANTES DE ARRANCARLO POR PRIMERA VEZ PROCEDIMIENTO DE ABLANDE

Complete este procedimiento antes de usar el compresor por primera vez. Una vez completado, no es necesario repetirlo.

1. Asegúrese de que el interruptor de encendido / apagado en la posición de apagado (OFF). Abra la válvula de drenaje que está en el lado del tanque girando la perilla de drenaje hacia la izquierda.
2. Enchufe el cable de corriente.
3. Presione el interruptor de encendido / apagado y haga funcionar el compresor durante 30 minutos.
4. Presione el interruptor de encendido / apagado para apagar la unidad.
5. Cierre la válvula de drenaje que se encuentra en la parte lateral del tanque.

Ahora el compresor está listo para ser usado.

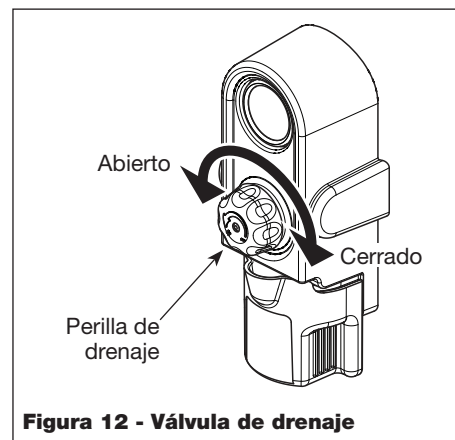


Figura 12 - Válvula de drenaje

## Funcionamiento (Continuación)

### ANTES DE CADA PROCEDIMIENTO DE ARRANQUE

1. Gire la perilla del regulador totalmente hacia la izquierda para cerrar el flujo de aire.
2. Conecte la manguera de aire a la salida del regulador.
3. Presione el interruptor de encendido/apagado y deje que el compresor funcione hasta que alcance la presión de apagado automático.
4. Conecte la boquilla para inflar neumáticos u otra herramienta al extremo de la manguera.
5. Gire la perilla del regulador hacia la derecha hasta la presión deseada para la herramienta que esté usando.

### PREPARACION PARA EL USO

**▲ PRECAUCION** *No conecte las herramientas al extremo de la manguera hasta que haya completado los pasos a continuación y verificado que la unidad esté lista para funcionar.*

**▲ ADVERTENCIA** *¡Nunca desconecte las conexiones con roscas antes de liberar la presión del tanque!*

### CICLO DE ENCENDIDO/APAGADO DEL COMPRESOR

En la posición ON, el compresor bombea aire dentro el tanque. Cuando se alcanza la presión de apagado (“corte” preestablecido), el compresor se apaga automáticamente.

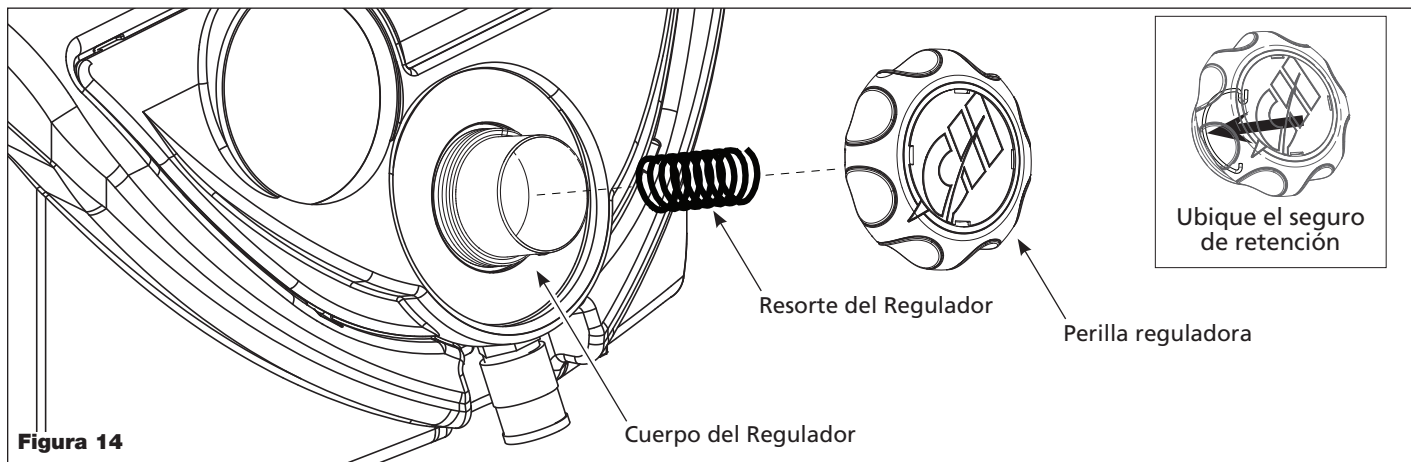
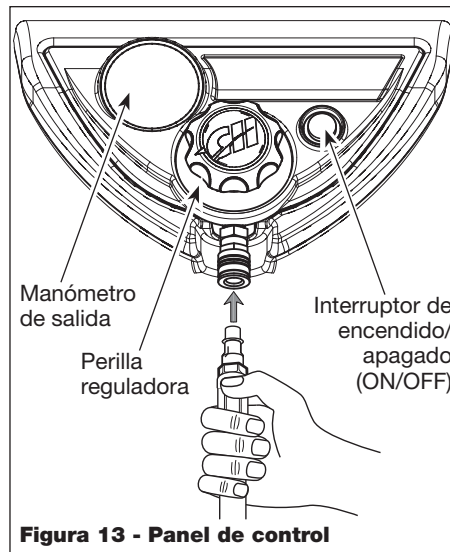
Si se deja el compresor en la posición ON y el aire sale del tanque al usar una boquilla para inflar neumáticos, una herramienta, etc., el compresor se reiniciará automáticamente a su presión de “corte” preestablecida. Cuando se use una herramienta en forma continua, el compresor cumplirá un ciclo de encendido y apagado en forma automática.

En la posición OFF, el interruptor de presión no puede funcionar y el compresor no se pondrá en funcionamiento. Asegúrese de que el interruptor esté en la posición OFF cuando conecte o desconecte el cable de corriente del tomacorriente.

### PERILLA DEL REGULADOR CON AJUSTES PREFIJADOS

- ◆ Esta perilla controla el aire comprimido que se le suministra a las herramientas neumáticas o pistolas pulverizadoras.
- ◆ Gire la perilla en el mismo sentido de las agujas del reloj para aumentar la presión de aire suministrado.
- ◆ Gire la perilla en sentido contrario al de las agujas del reloj para disminuir la presión de aire suministrado.
- ◆ Gire la perilla completamente en sentido contrario a las agujas del reloj para cerrar el suministro de aire completamente.

La perilla reguladora está diseñada para girar aproximadamente 270 grados para cubrir todas las posiciones. Si se gira la perilla reguladora más allá de la posición de operación mínima (hacia la izquierda), la perilla reguladora ya no hará el sonido de “clic” como hace cuando indica que el regulador ha sido puesto en una posición específica.





## Funcionamiento (Continuación)

Una vez que la perilla reguladora está puesta en la posición de operación mínima, la presión de salida se verá en cero [0 psi (0 bar)]. Si se sigue girando la perilla reguladora más allá de la posición de operación mínima (hacia la izquierda), se puede soltar y salir del equipo.

### ⚠ ADVERTENCIA

*Si el manómetro de presión de salida está en cero (0) psi, NO GIRE la perilla reguladora hacia la izquierda.*

### ⚠ ADVERTENCIA

*Si se gira la perilla reguladora y ya no se escucha un “clic”, NO GIRE la perilla reguladora hacia la izquierda.*

## USOS RECOMENDADOS PARA ESTE COMPRESOR

- ◆ Mantenimiento de vehículos
- ◆ Reparación de vehículos
- ◆ Clavadoras y grapadoras
- ◆ Mantenimiento del hogar
- ◆ Inflado
- ◆ Trabajos en madera

## RECOMENDACIONES DE HERRAMIENTAS PARA ESTE COMPRESOR DE AIRE

### Uso Continuo —

Accesorios de inflado  
Aerógrafos  
Destornilladores neumáticos  
Clavadoras de puntillas y Grapadoras  
Pistolas de calafatear  
Limpiadores de motor  
Clavadora para acabados  
Pistolas engrasadoras  
Pistolas pulverizadoras para el hogar  
Llaves de choque  
Criques  
Sierras alternativas  
Clavadoras para techos y estructuras

### Uso Intermitente (Impulsos potentes de corta duración) —

Formones neumáticos  
Taladros neumáticos  
Pistolas pulverizadoras para vehículos  
Amoladoras de troqueles

### Herramientas no recomendadas —

Herramientas de corte  
Lijadoras de doble acción  
Lijadoras de alta velocidad  
Lijadoras de oscilación  
Lijadoras de línea recta

## Finalización del funcionamiento/almacenamiento

1. Apague la unidad.
2. Desconecte el cable de la energía del tomacorriente para evitar daño cuando no esté en uso.
3. Usando gafas de protección drene el aire del tanque tirando del anillo de la válvula de seguridad. Use la otra mano para desviar el aire que se mueve a gran velocidad y evitar que le dé en el rostro.
4. Drene la condensación del tanque abriendo la válvula de drenaje que se encuentra en la parte lateral del tanque.
5. Se deberá desconectar la manguera de aire del compresor y dejar colgando los extremos abiertos hacia abajo para permitir que drene toda la humedad.
6. El compresor y la manguera deben guardarse en un lugar fresco y seco.



Figura 15



Figura 16



Figura 17

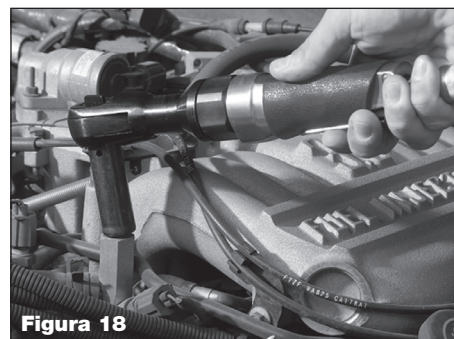


Figura 18



Figura 19

**Diagrama Expandido del Almacenamiento de Aire / Unidad**

**CONEXIÓN DE LA UNIDAD DEL COMPRESOR DE AIRE PARA MONTAJE EN LA PARED AL TANQUE DE 30,3 L (8 GALONES) 2 EN 1 (ET200000)**

**⚠ ADVERTENCIA** *Libere toda la presión del compresor de aire para montaje en la pared antes de quitar cualquier conexión o tapones de la unidad.*

Desenchufe el compresor de aire para montaje en la pared. Abra la válvula de drenaje fácil del tanque tirando la perilla totalmente hacia la izquierda para liberar toda la presión del compresor de aire. Verifique el manómetro del tanque para asegurarse de que la psi interior del tanque esté en cero (0).

Retire el tapón de 9,5 mm (3/8 pulg.) de la conexión roscada del compresor de aire para instalación en la pared utilizando una llave hexagonal de 7,9 mm (5/16 pulg.). Si el tanque está colocado en el lado izquierdo del compresor de aire para montaje en la pared, retire el tapón del lado izquierdo del tanque. Si el tanque está colocado en el lado derecho del compresor de aire para montaje en la pared, retire el tapón del lado derecho del tanque. Quite el tapón de chequeo doble del acople de chequeo doble ubicado en el extremo del ensamble de la válvula de chequeo doble del tanque 2 en 1. Coloque el tapón de chequeo doble en la abertura roscada de la que acaba de quitar el tapón de 0,95 cm (3/8 pulg.). Apriete el tapón de chequeo doble con una llave de 17,4 mm (11/16 pulg.). Complete la conexión volviendo a conectar el acople de chequeo doble en el tapón de chequeo doble que acaba de instalar. Cuando se haga la conexión el aire fluirá automáticamente desde el tanque del compresor de aire para montaje en la pared hacia el tanque 2 en 1. Esto permitirá que el tanque 2 en 1 se presurice.

Cierre la válvula de fácil drenaje del tanque girando la perilla por completo hacia la derecha. Enchufe el compresor de aire para montaje en la pared y encienda la energía. El tanque del compresor de aire para montaje en la pared y el tanque 2 en 1 deberían ambos comenzar a presurizarse. Una vez que la presión alcance el máximo prefijado el compresor se apagará automáticamente. Ahora el tanque 2 en 1 está listo para ser usado. Con el tanque 2 en 1 conectado al compresor de aire para montaje en la pared el volumen del aire almacenado en su sistema se aumentará. El tanque 2 en 1 también se puede desconectar del compresor de aire para montaje en la pared para ser utilizado como un tanque de aire portátil.



Figura 20 - Fácil de expandir

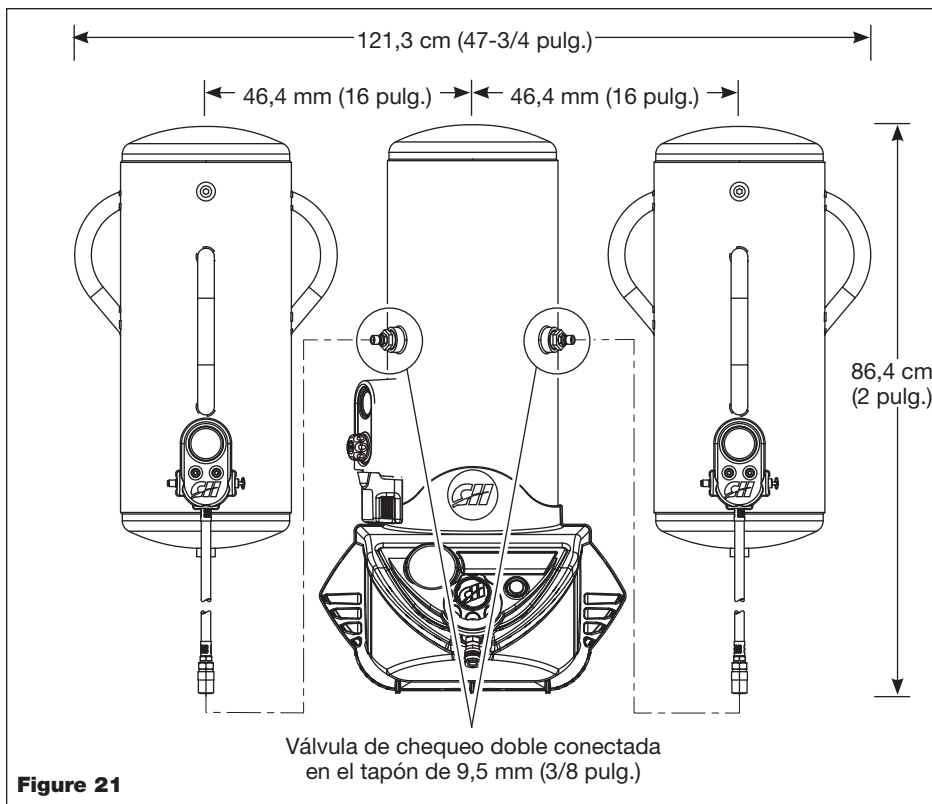


Figure 21

<b>EXPANSIBLE</b>
<b>30,3 LITROS</b> Inflado y ajuste
<b>60,6 LITROS</b> Inflado, ajuste y mantenimiento de neumáticos
<b>90,8 LITROS</b> Inflado, ajuste, mantenimiento de neumáticos y pintura
<b>Tabla 1</b>

**Mantenimiento**

**⚠ ADVERTENCIA**

*Desconecte, etiquete y bloquee la fuente de energía y luego libere toda la presión del sistema antes de intentar instalar, realizar un servicio, reubicar o realizar cualquier tipo de mantenimiento.*



Todas las reparaciones deben ser realizadas por un representante autorizado de servicio.

Para un funcionamiento eficiente, realice la siguiente prueba para verificar el funcionamiento libre de la válvula de seguridad semanalmente y siga el calendario de mantenimiento.

**Drenaje del Tanque**

1. Encienda el compresor.
2. Consulte el manómetro del tanque para verificar la presión de aire en el tanque. Para drenar adecuadamente la condensación del tanque, la presión del tanque debería estar entre 1,38 bar – 4,14 bar (20 psi – 60 psi). El sistema de drenaje no funcionará si no hay presión en el tanque. Si la presión del tanque es superior a 4,14 bar (60 psi), drene el tanque tirando del anillo de la válvula de seguridad. La válvula de seguridad debería liberar el aire y luego cerrarse automáticamente a 2,76 bar – 3,45 bar (40 psi – 50 psi).
3. Gire lentamente la perilla de drenaje fácil ubicada debajo del manómetro del tanque, hacia la izquierda hasta que el líquido comience a llenar el recipiente de drenaje. Preste atención al drenaje para asegurarse de que el recipiente de drenaje no se desborde. Si hay mucho líquido en el tanque, es posible que deba cerrar la perilla de drenaje girándola totalmente hacia la derecha, luego quite el recipiente de drenaje para eliminar el líquido.
4. Cuando el líquido deje de drenar, cierre el drenaje girando la perilla totalmente hacia la derecha.
5. Levante el recipiente y retírelo para eliminar el líquido drenado. Vuelva a colocar el recipiente, verificando que esté seguro en su lugar.

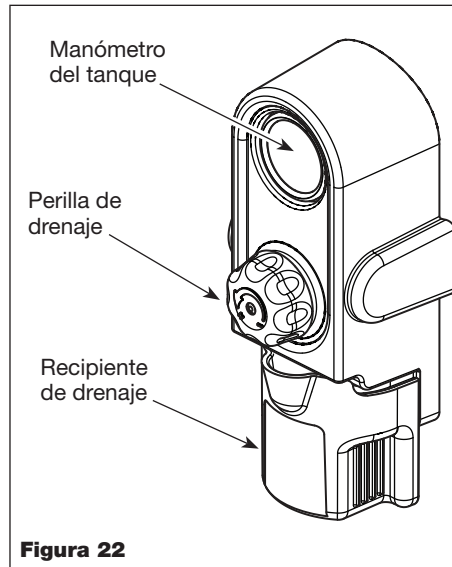


Figura 22

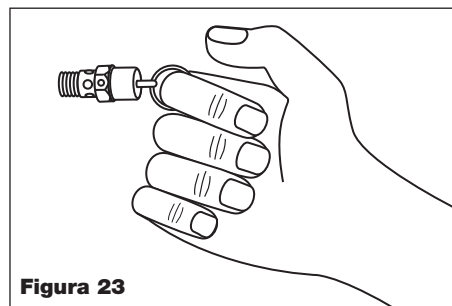


Figura 23

**Válvula de Seguridad**

1. Enchufe el compresor y hágalo funcionar hasta que se alcance la presión de corte (consulte Funcionamiento).
2. Usando gafas de protección, tire del anillo de la válvula de seguridad para liberar la presión del tanque del compresor. Protéjase contra el aire a alta velocidad que se libera; no permita que el aire a alta velocidad quede dirigido hacia su rostro (vea la Figura 23).
3. La válvula de seguridad debe cerrar en forma automática aproximadamente a 2,76 bar – 3,45 bar (40 psi – 50 psi). Si la válvula de seguridad no deja salir aire cuando tira del anillo o si no se cierra automáticamente, DEBE ser reemplazada.

**ASISTENCIA TÉCNICA**

Para recibir información sobre el funcionamiento o reparación de la unidad, sírvase llamar al 1-800-543-6400 (en EUA).

<b>MANTENIMIENTO</b>			
<b>SERVICIO NECESARIO</b>	<b>DIARIAMENTE</b>	<b>SEMANALMENTE</b>	<b>MENSUALMENTE</b>
DRENE EL TANQUE	●		
CHEQUÉE LA VÁLVULA DE SEGURIDAD		●	
LIMPIE LA UNIDAD			●

## Guía de resolución de problemas

### ⚠ ADVERTENCIA

Deje de usar la clavadora inmediatamente si alguno de los siguientes problemas ocurre. Podría resultar en heridas graves. Cualquier reparación o reemplazo de piezas los debe hacer un técnico calificado personal de un centro autorizado de servicio.

PROBLEMA	POSIBLE(S) CAUSA(S)	ACCIÓN A TOMAR
Compresor no funciona	<ol style="list-style-type: none"> <li>1. Unidad conectada a un cordón de extensión</li> <li>2. No hay energía eléctrica</li> <li>3. Cortacircuito desconectado</li> <li>4. Protector térmico abierto</li> <li>5. Presostato dañado</li> </ol>	<ol style="list-style-type: none"> <li>1. Retire el cordón de extensión</li> <li>2. ¿Está conectado? Chequee el fusible/cortacircuito o protector de sobrecarga del motor</li> <li>3. Reconéctelo y determine cual es el problema</li> <li>4. Deje que el motor se enfríe durante 30 minutos desenchufando la unidad.</li> <li>5. Reemplácelo</li> </ol>
Motor hace ruido pero no funciona o funciona lentamente	<ol style="list-style-type: none"> <li>1. Voltaje bajo</li> <li>2. Unidad conectada a un cordón de extensión</li> <li>3. Defecto de la bobina del motor</li> <li>4. Válvula de chequeo o desfogue defectuosa</li> </ol>	<ol style="list-style-type: none"> <li>1. Chequee con un voltmetro</li> <li>2. Retire el cordón</li> <li>3. Reemplace el motor</li> <li>4. Reemplace o repare</li> </ol>
Fusibles/cortacircuito se dispara con frecuencia	<ol style="list-style-type: none"> <li>1. Fusible inadecuado, circuito sobrecargado</li> <li>2. Unidad conectada a un cordón de extensión</li> <li>3. Válvula de retención o descargador defectuosos</li> </ol>	<ol style="list-style-type: none"> <li>1. Cerciórese de que está usando el fusible adecuado, use un fusible diferido. Desconecte los otros artefactos del circuito o conecte el compresor a su propio circuito</li> <li>2. Chequee la tabla en la sección de funcionamiento</li> <li>3. Reemplace o repare</li> </ol>
El protector de sobrecarga térmica se dispara constantemente	<ol style="list-style-type: none"> <li>1. Voltaje bajo</li> <li>2. Filtro de aire está atascado</li> <li>3. Poca ventilación/ temperatura ambiental muy alta</li> <li>4. Unidad conectada a un cordón de extensión</li> </ol>	<ol style="list-style-type: none"> <li>1. Chequee con un voltmetro</li> <li>2. Limpie el filtro (vea la sección de Mantenimiento)</li> <li>3. Mueva el compresor a un área bien ventilada</li> <li>4. Retire el cordón de extensión</li> </ol>
La presión del tanque disminuye cuando el compresor se apaga	<ol style="list-style-type: none"> <li>1. Conexiones flojas (conexiones, tuberías, etc.)</li> <li>2. Válvula de drenaje floja</li> <li>3. Hay fugas en la válvula de chequeo</li> </ol>	<ol style="list-style-type: none"> <li>1. Chequee todas las conexiones con agua enjabonada y apriete las conexiones flojas</li> <li>2. Apriete la llave</li> <li>3. Desmantele la válvula de chequeo, límpiela o reemplácela</li> </ol>
		<b>⚠ PELIGRO</b> <i>Antes de desmantelar la válvula de chequeo purgue el aire del tanque</i>
Exceso de humedad en el aire de salida	<ol style="list-style-type: none"> <li>1. Exceso de agua en los tanques</li> <li>2. Humedad alta</li> </ol>	<ol style="list-style-type: none"> <li>1. Drene los tanques</li> <li>2. Mueva el compresor a un área menos húmeda; use un filtro de línea</li> </ol>
Compresor funciona constantemente	<ol style="list-style-type: none"> <li>1. Interruptor de presión defectuoso supera la presión máxima</li> <li>2. Uso excesivo de aire</li> <li>3. Desgaste del anillo</li> </ol>	<ol style="list-style-type: none"> <li>1. Reemplácelo</li> <li>2. Disminuya el uso de aire; el compresor no tiene la capacidad de suministro necesaria</li> <li>3. Póngase en contacto con su centro de servicio local</li> </ol>
Compresor vibra	Pernos están flojos	Apriete los pernos
El suministro de aire es menos de lo normal	<ol style="list-style-type: none"> <li>1. Válvulas de entrada están rotas</li> <li>2. Fugas en las conexiones</li> </ol>	<ol style="list-style-type: none"> <li>1. Un técnico autorizado de servicio debe repararlo</li> <li>2. Apriete las conexiones</li> </ol>





## Para Ordenar Repuestos o Asistencia Técnica, Sírvase Llamar al Distribuidor Más Cercano a Su Domicilio

Sírvase darnos la siguiente información:

- Número de modelo
- Número de serie (si tiene)
- Descripción y número de la pieza

Dirija toda la correspondencia a:

Campbell Hausfeld  
Attn: Customer Service  
100 Production Drive  
Harrison, OH 45030 U.S.A.

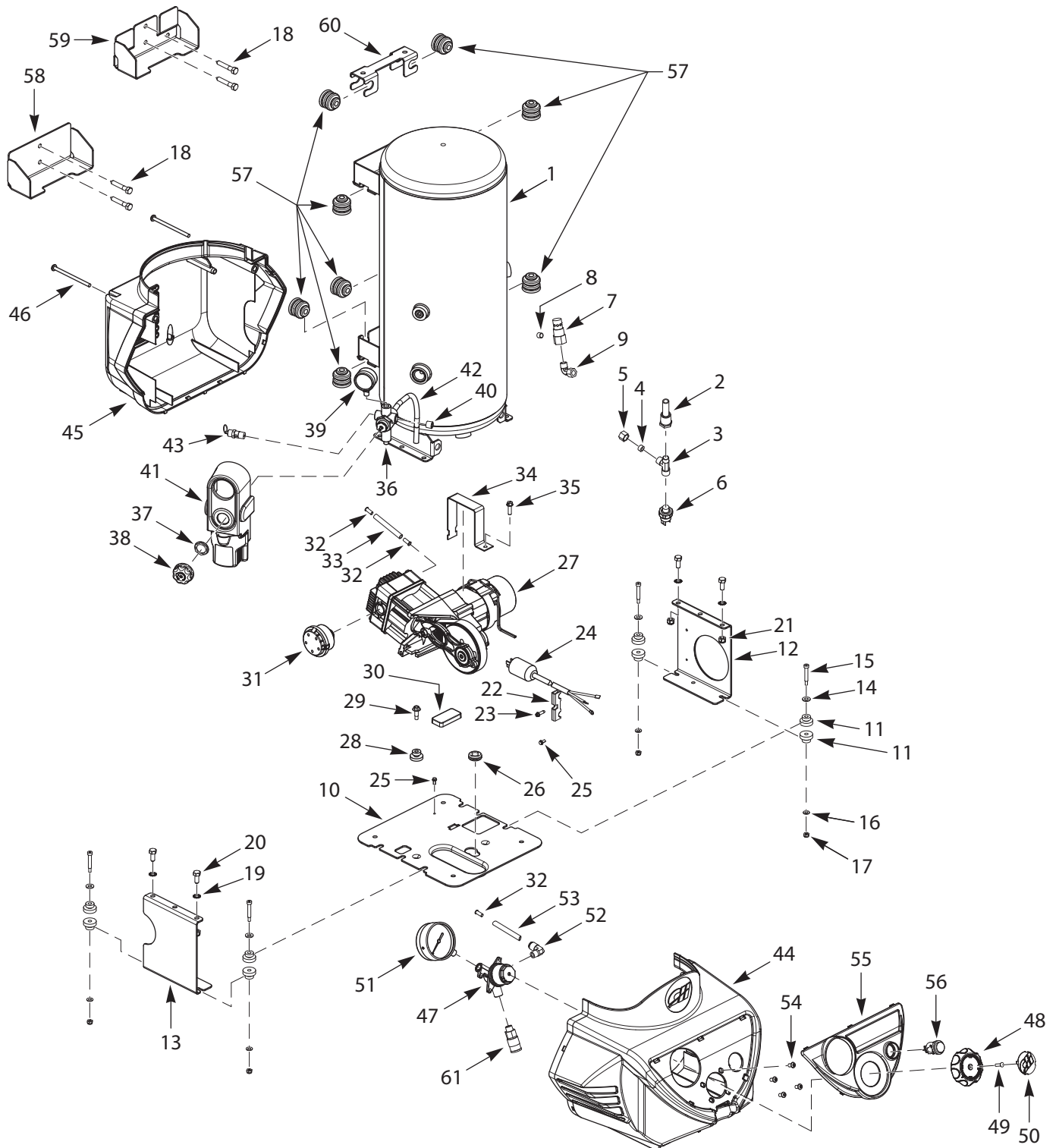


Figura 24 - Lista de Piezas de Repuesto para el Compresor para Montaje en la Pared de 30,2 l (8 galones)

**Lista de Piezas de Repuesto para el Compresor para Montaje en la Pared de 30,2 l (8 galones)**

No. de Ref.	Descripción	Número de Repuesto	Ctd.	No. de Ref.	Descripción	Número de Repuesto	Ctd.
1	Tanque para montaje en la pared de 30,3 l (8 galones)	AR060900BR	1	36	Válvula de drenaje	D-140700AV	1
2	Tubo de conexión de tubería de 12,7 mm (1/2 pulg.) NPT	WL042500AV	1	37	Juego de tuerca y arandela de acuíamiento	△	1
3	Conexión en T – Tubo macho de derivación	ST197800AV	1	38	Perilla y tornillo de drenaje	WL046100SJ	1
4	Conexiones de compresión – STD	▲	1	39	Manómetro	GA032900AV	1
5	Tuerca – Compresión – REG.	▲	1	40	Tapón de la tubería de 6,4 mm (1/4 pulg.) – 18 NPT	*	1
6	Presostato	CW218300AV	1	41	Cubierta y recipiente de drenaje	△	1
7	Valvula de chequeo	CV221517AV	1	42	Tubo de drenaje con peso	WL046400AV	1
8	Enchufe del tubo 1/8 - 27	*	1	43	Válvula de seguridad	V-215108AV	1
9	Codo de compresión para tubo de 9,5 mm (3/8) x 6,4 mm (1/4) NPT	ST072226AV	1	44	Tapa frontal	WL041900AV	1
10	Placa - Base	BA116000AV	1	45	Cubierta posterior	WL042000AV	1
11	Almohadilla aislante	■	8	46	Tornillo roscante, 6,4 mm (1/4 pulg.) Phillips	*	2
12	Placa para colgar - Derecha	BA116100AV	1	47	Conjunto regulador	RE300200AV	1
13	Placa para colgar - Izquierda	BA116200AV	1	48	Perilla del regulador	◆	1
14	Arandela – Lisa tipo “A”	■	4	49	Tornillo autorroscante #10 x 0,75	◆	1
15	Tornillo de reborde de 6,4 mm (1/4 pulg.)	■	4	50	Cubierta de la perilla reguladora	◆	1
16	Arandela – Lisa tipo “A”	■	4	51	Manómetro	GA032700AV	1
17	Tuerca de seguridad, SS – separador de nylon	■	4	52	Codo de conexión a presión	ST119704AV	1
18	Tornillo de fijación, 7,9 mm (5/16 pulg.) x 5 cm (2 pulg.) LG.	▼	4	53	Tubo de nylon flexible	WL021412AV	1
19	Arandela de presión de 7,9 mm (5/16 pulg.) con dientes externos	*	4	54	Tornillo de botón hexagonal 1/4 - 20	ST071626AV	4
20	Tornillo – maquinado de cabeza hexagonal	*	4	55	Panel de control	WL042300AV	1
21	Tuerca de tope, elástica	AL014000AV	4	56	Interruptor de encendido / apagado	ST195600AV	1
22	Sujetador SJT/SJT	●	1	57	Aislador - Pared	ST195700AV	8
23	Tornillo de sujeción Condor	●	1	58	Soporte de montaje inferior	▼	1
24	Cordón y enchufe	EC012602AV	1	59	Soporte de montaje superior	▼	1
25	Tornillo – cabeza de arandela hexagonal de roscar	ST074407AV	2	60	Tapa para soporte de montaje	▼	1
26	Ojal de goma	WL008000AV	1	61	Acople	HF169201AV	1
27	Ensamblaje de bomba / motor	WL390101SJ	1	<b>JUEGOS DE REPUESTOS</b>			
28	Almohadilla aislante	WL003204AV	1	▲	Kit de tubo de escape	WL005908SJ	
29	Perno del hombro	ST158000AV	1	■	Kit del aislador de vibración	WL003202SJ	
30	Almohadillas aislantes	WL007802AV	1	●	Kit de liberación de tensión	CW209600SJ	
31	Filtro de entrada	WL026100AV	1	◆	Kit de la perilla del regulador	RE300300SJ	
32	Buje	▲	3	▼	Kit del soporte de montaje	WL045600SJ	
33	Tubo del orificio de salida flexible	▲	1	△	Kit de la cubierta y del recipiente de drenaje	WL046200SJ	
34	Soporte del motor	BA018300AV	1	—	No disponible		
35	Tornillo autorroscante	ST073236AV	1	*	Artículo estándar de ferretería - disponible en su ferretería local		



**Lista de Piezas de Repuesto para la Bomba del Compresor para Montaje en la Pared de 30,2 l (8 galones)**

No. de Ref.	Descripción	Número de Repuesto	Ctd.
1	Kit de ensamblaje del motor (Incluye #2, 3, 6, 7, 10, 12, & 14)	WL019100SJ	1
2	Empaque del cilindro	▲	1
3	Válvula de entrada	▲	1
4	Placa de la válvula	▲	1
5	Válvula de salida	▲	1
6	Empaque de la culata	▲	1
7	Empaque de la válvula de salida	▲	1
8	Culata	WL010500AV	1
9	Ensamblaje de pistón (Incluye #10)	WL211000SJ	1
10	Tornillo de cabeza plana de 9,5 mm (3/8 inch)	ST071804AV	1
11	Tornillo hex. de 6,4 mm (1/4 inch) - 20 x 10,16 cm (4 inch)	■	4
12	Ventilador	WL008400AV	1
13	Juego de correa (Incluye #10, 12, válvula de chequeo, y manga)	WL015305SJ	1
14	Conexión de compresión - codo	ST072224AV	1
<b>JUEGOS DE REPUESTOS</b>			
▲	Kit de placa de válvula (Incluye #2-7)	WL211201SJ	1
■	Kit de prisioneros (Juego de 4 cada uno., pieza #11)	WL211100AJ	1

**TORQUE REQUERIDO**

Pasador del pistón . . . . . 474 - 610 Nm (350 - 450 lb. pulg.)

Pernos del cabezal . . . . . 122 - 168 Nm (90 - 120 lb. pulg.)

**Recordatorio:** ¡Guarde su comprobante de compra con fecha para fines de la garantía! Adjúntela a este manual o archívela en lugar seguro.

## Garantía Limitada

1. DURACIÓN: A partir de la fecha de compra por el comprador original tal como se especifica a continuación: Un Año.
2. QUIEN OTORGA ESTA GARANTÍA (EL GARANTE: Campbell Hausfeld / The Scott Fetzer Company 100 Production Drive, Harrison, Ohio 45030 Teléfono: (800) 543-6400
3. QUIEN RECIBE ESTA GARANTÍA (EL COMPRADOR): El comprador original (que no sea un revendedor) del producto Campbell Hausfeld.
4. PRODUCTOS CUBIERTOS POR ESTA GARANTÍA: Cualquier compresor de aire Campbell Hausfeld.
5. COBERTURA DE LA GARANTÍA: Piezas y Mano de Obra para remediar defectos importantes debidos a material y mano de obra durante el primer año de propiedad con las excepciones indicadas a continuación. Piezas solamente para remediar defectos importantes debidos a material y mano de obra durante el tiempo de cobertura que quede con las excepciones indicadas a continuación.
6. LO QUE NO ESTÁ CUBIERTO POR ESTA GARANTÍA:
  - A. Las garantías implícitas, incluyendo aquéllas de comerciabilidad e IDONEIDAD PARA FINES PARTICULARES, ESTÁN LIMITADAS A PARTIR DE LA FECHA DE COMPRA ORIGINAL DE ACUERDO CON LO ESPECIFICADO EN EL PÁRRAFO DE DURACIÓN. Si el compresor de aire es empleado para uso comercial, industrial o para renta, la garantía será aplicable por noventa (90) días a partir de la fecha de compra. La garantía de los compresores de dos etapas no se limita a los 90 (noventa) días cuando éstos se usen para trabajos comerciales o industriales. En algunos estados no se permiten las limitaciones a la duración de una garantía implícita, por lo cual las limitaciones antedichas pueden no ser aplicables en su caso.
  - B. CUALQUIER PÉRDIDA DAÑO INCIDENTAL, INDIRECTO O CONSECUENTE QUE PUEDA RESULTAR DE UN DEFECTO, FALLA O MALFUNCIONAMIENTO DEL PRODUCTO CAMPBELL HAUSFELD. En algunos estados no se permite la exclusión o limitación de daños incidentales o consecuentes, por lo tanto, en tales casos esta limitación o exclusión no es aplicable.
  - C. Cualquier falla que resulte de un accidente, abuso, negligencia o incumplimiento de las instrucciones de funcionamiento y uso indicadas en el (los) manual(es) que se adjunta(n) al compresor.
  - D. Los servicios requeridos antes de la entrega tales como: ensamblaje, aceite o lubricantes y ajustes.
  - E. Artículos o servicios normalmente requeridos para el mantenimiento del producto, tales como: lubricantes, filtros, empaques, etc.
  - F. Los motores de gasolina están específicamente excluidos de la cobertura de esta garantía limitada. El comprador debe seguir las cláusulas de la garantía otorgada por el fabricante del motor de gasolina que se suministra con el producto.
  - G. Artículos adicionales no cubiertos bajo esta garantía:
    1. Piezas excluidas que pertenecen a Todos los Compresores
      - a. Cualquier componente dañado durante el envío o cualquier daño ocasionado por haber instalado u operado la unidad bajo condiciones contrarias a lo indicado en las instrucciones para instalar u operar la unidad o daños ocasionados por el contacto con herramientas o los alrededores.
      - b. Daños del cabezal o las válvulas ocasionados por la lluvia, humedad excesiva, agentes corrosivos u otros contaminantes.
      - c. Daños de apariencia que no afecten el funcionamiento del compresor.
      - d. Tanques oxidados, incluyendo pero no limitado al óxido debido al drenaje inadecuado u agentes corrosivos en el ambiente.
      - e. Las siguientes piezas se consideran artículos sujetos a desgaste normal y no son cubiertas después del primer año de propiedad. Motor eléctrico, válvula de retención, interruptor de presión, regulador, manómetros, mangueras, tuberías, tubos, accesorios y acoples, tornillos, tuercas, artículos de ferretería, correas, poleas, volante, filtro de aire y caja, juntas, sellos, pérdidas de aceite, pérdidas de aire, consumo o uso de aceite, anillos del pistón.
      - f. Llaves de drenaje
      - g. Daños debidos al alambrado incorrecto o conexión a circuitos con voltaje inadecuados para la unidad.
      - h. Otros artículos no enumerados pero considerados de desgaste general.
      - i. Presostatos, controles de flujo de aire y válvulas de seguridad cuyos parametros fijados de fábrica se modifiquen.
      - j. Daño por mantenimiento inadecuado del filtro.
      - k. Motores de inducción alimentados con electricidad producida por un generador.
    2. Compresores lubricados:
      - a. Daños del cabezal o las válvulas debidos al uso de aceites no especificados.
      - b. Daños del cabezal o las válvulas debidos a cualquier contaminación del aceite o por no haber seguido las instrucciones de lubricación.
      - c. Desgaste o daño de la bomba causados por el no haber aplicado apropiadamente los criterios de mantenimiento en referencia al aceite, funcionamiento con nivel de aceite por debajo del nivel apropiado o funcionamiento sin aceite.
  - H. Mano de obra, llamadas de servicio o cargos por concepto de transporte después del primer año de propiedad de compresores estacionarios. Los compresores estacionarios se identifican por no tener asidero o ruedas.
7. RESPONSABILIDADES DEL GARANTE BAJO ESTA GARANTÍA: Reparar o reemplazar, como lo decida el Garante, el compresor o componentes que estén defectuosos, se hayan dañado o hayan dejado de funcionar adecuadamente, durante el período de validez de la garantía.
8. RESPONSABILIDADES DEL COMPRADOR BAJO ESTA GARANTÍA:
  - A. Suministrar prueba fechada de compra y la historia de mantenimiento del producto.
  - B. Entregar o enviar los compresores de aire portátiles o componentes al Centro de Servicio autorizado Campbell Hausfeld más cercano. Los gastos de flete, de haberlos, deben ser pagados por el comprador.
  - C. Tener cuidado al utilizar el producto, tal como se indica(n) en el (los) manual(es) del propietario.
  - D. Reparaciones que requieran tiempo adicional al horario normal de trabajo, o cualquier asunto que exceda la tarifa normal de reembolso por mano de obra para reparaciones bajo la garantía del fabricante.
  - E. El tiempo requerido por cualquier control de seguridad, capacitación relacionada con seguridad, o asuntos similares necesarios para que el personal de servicio pueda tener acceso a las instalaciones.
  - F. La ubicación de la unidad debe tener espacio suficiente para que el personal de servicio pueda realizar reparaciones y debe ser fácilmente accesible.
9. CUÁNDO EFECTUARÁ EL GARANTE LA REPARACIÓN O REEMPLAZO CUBIERTO BAJO ESTA GARANTÍA: La reparación o reemplazo dependerá del flujo normal de trabajo del centro de servicio y de la disponibilidad de repuestos.

Esta garantía limitada es válida sólo en los EE.UU., Canadá y México y otorga derechos legales específicos. Usted también puede tener otros derechos que varían de un Estado a otro, o de un país a otro.







CH makes it easy for you to do your projects like a pro. Visit [chpower.com](http://chpower.com) for more information on do-it-yourself projects and CAMPBELL HAUSFELD® products.

CH vous permet de vous attaquer à vos projets comme un professionnel. Pour plus d'information au sujet des projets de bricolages et des produits CAMPBELL HAUSFELD®, visitez [chpower.com](http://chpower.com).

CH le facilita la realización de sus proyectos como un profesional. Visite [chpower.com](http://chpower.com) para obtener más información sobre proyectos de bricolaje y productos CAMPBELL HAUSFELD®.

Air Compressors  
Compresseurs d'air  
Compresores de aire



Air Tools  
Outils pneumatiques  
Herramientas neumáticas



Spray Guns  
Pistolets de pulvérisation  
Pistolas de pulverización



Tire Inflators  
Gonfleurs de pneu  
Infladores de neumáticos



Nailers  
Cloueuses  
Clavadoras



Pressure Washers  
Laveuses à pression  
Lavadoras a presión



Paint Sprayers  
Pulvérisateurs à peinture  
Pulverizadores de pintura



Welders  
Soudeurs  
Soldadoras



MAKES IT EASY TO DO IT LIKE A PRO™

[chpower.com](http://chpower.com)