



# Gasoline Powered Pressure Washers

Operating Instructions and Parts Manual

**PW2770**  
**PW3270**  
**PW4070**



ESPAÑOL: Página Sp1

IN469602AV 9/12

©2012 Campbell Hausfeld/Scott Fetzer



MAKES IT EASY TO DO IT LIKE A PRO

[chpower.com](http://chpower.com)

## Table of Contents

---

Description.....	3	Initial High Pressure Rinse.....	12
Specifications.....	3	Pressure Adjustment .....	12
Safety Guidelines .....	4	Adjusting the Spray Fan Angle.....	12
Safety Symbols .....	4	Angle to the Cleaning Surface .....	12
Important Safety Information.....	4	Distance From Cleaning Surface ..	12
Instructions Pertaining to a Risk of Fire, Electric Shock, or Injury to Persons ...	4	How to Avoid Damaging Surfaces..	12
California Proposition 65 .....	4	Detergent Application.....	13
General .....	4	Detergents .....	13
Work Area.....	4	General Cleaning Tips .....	13
Personal Safety .....	4	Cleaning Power.....	13
Tool Use and Care .....	5	Final Rinse .....	13
Service.....	5	Pressure Relief Procedure .....	13
Frequently Asked Questions .....	6	Shutdown.....	13
Unpacking .....	7	Storage .....	14
Contents in the Carton .....	7	Long Term Storage Instructions ...	14
Additional Items Not Included.....	7	Winterizing Instructions .....	14
Glossary.....	8	Tips For Extending The Life Of Your Pressure Washer .....	14
Getting To Know Your Pressure Washer	9	Maintenance .....	15
Unpacking .....	9	Engine Oil Changing Instructions ...	15
Recommended Uses for this Pressure Washer .....	9	Maintenance Schedule.....	15
Assembly and Pre-operation .....	10	Technical and Consumer Information.....	15
Assembly and Pre-operation.....	10	Troubleshooting Guide.....	16
Trigger Safety Latch.....	11	Replacement Parts List .....	18
Operation .....	11	Warranty.....	20
Surface Preparation.....	11		
Start Up.....	11		

---

### For parts, product and service information

**Visit:** [www.chpower.com](http://www.chpower.com)

**Call:** Customer Service at 1-800-330-0712

**Address any correspondence to:**

Campbell Hausfeld  
Attn: Customer Service  
100 Production Drive  
Harrison, OH 45030 U.S.A.



# Gasoline Powered Pressure Washers



## Description

These powerful and durable gasoline pressure washers are designed for industrial projects. They are great for projects in maintenance shops, farms, and commercial buildings like concrete drives/sidewalks and heavy equipment.

All carts are durable steel construction, welded and powder-coated for longevity. These pressure washers are proudly built in Tennessee with heavy-duty, reliable Honda engines and commercial-grade pumps.



Figure 1 - Model PW2770, PW3270 and PW4070

## Specifications

### Model PW2770

Honda GX160

CAT 30NX25

#3.0 Tip

**Pressure:** 2750 psi / 18,961 kPa

**Flow:** 2.5 GPM

### Model PW3270

Honda GX270

CAT 35PX30

#3.5 Tip

**Pressure:** 3200 psi / 22,063 kPa

**Flow:** 3.0 GPM

### Model PW4070

Honda GX390

CAT 66DX35

#3.5 Tip

**Pressure:** 4000 psi / 247,579 kPa

**Flow:** 3.5 GPM

Please record Model Number and Serial Number for use when contacting the manufacturer:

Model No.: \_\_\_\_\_

Serial No.: \_\_\_\_\_

Purchase Date: \_\_\_\_\_

Purchase Place: \_\_\_\_\_

For information about this product, call 1-800-330-0712.

### Safety Guidelines

This manual contains information that is very important to know and understand. This information is provided for SAFETY and to PREVENT EQUIPMENT PROBLEMS. To help recognize this information, observe the following symbols.

**⚠ DANGER** *Danger indicates an imminently hazardous situation which, if not avoided, WILL result in death or serious injury.*

**⚠ WARNING** *Warning indicates a potentially hazardous situation which, if not avoided, COULD result in death or serious injury.*

**⚠ CAUTION** *Caution indicates a potentially hazardous situation which, if not avoided, MAY result in minor or moderate injury.*

**NOTICE** *Notice indicates important information, that if not followed, may cause damage to equipment.*

**IMPORTANT:** Information that requires special attention.

### Safety Symbols

The following Safety Symbols appear throughout this manual to alert you to important safety hazards and precautions.



Read Manual First



Risk of Explosion



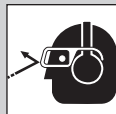
Risk of Fire



Risk of Falling



Risk of Personal Injury



Wear Eye and Hearing Protection

### Important Safety Information

#### INSTRUCTIONS PERTAINING TO A RISK OF FIRE, ELECTRIC SHOCK, OR INJURY TO PERSONS

This manual contains important safety, operational and maintenance information. If you have any questions, please call 1-800-330-0712 for customer assistance.

**⚠ WARNING** *When using tools, basic precautions should always be followed, including the following:*

#### CALIFORNIA PROPOSITION 65

**⚠ WARNING** *This product or its power cord may contain chemicals known to the State of California to cause cancer and birth defects or other reproductive harm. Wash hands after handling.*

#### GENERAL

- To reduce the risks of electric shock, fire, and injury to persons, read all the instructions before using the tool. Failure to follow warnings, dangers, and cautions could result in DEATH or SERIOUS INJURY.
- Be thoroughly familiar with the controls and the proper use of the equipment. Follow all instructions. Contact your Campbell Hausfeld representative if you have any questions.
- Only persons well acquainted with these rules of safe operation should be allowed to use the unit.
- Follow all safety codes as well as the Occupational Safety and Health Act (OSHA).



#### WORK AREA

- Keep operation area clear of all persons.
- To reduce the risk of injury, close supervision is necessary when the product is used near children.
- Do not operate the tool in explosive atmospheres, such as in the presence of flammable liquids, gases, or dust. The tool is able to create sparks resulting in the ignition of the dust or fumes.
- NEVER spray flammable liquids or use pressure washer in areas containing combustible dust, liquids, or vapors.
- Never operate this machine in a closed building or in or near an explosive environment.



#### PERSONAL SAFETY

- Stay alert. Watch what you are doing and use common sense when operating the tool. Do not use the tool while tired or under the influence of drugs, alcohol, or medication. A moment of inattention while operating the tool increases the risk of injury to persons.
- Dress properly. Do not wear loose clothing or jewelry. Contain long hair. Keep hair, clothing, and gloves away from moving parts. Loose clothes, jewelry, or long hair increases the risk of injury to persons as a result of being caught in moving parts.
- Do not overreach. Keep proper footing and balance at all times. Proper footing and balance enables better control of the tool in unexpected situations.



**⚠ WARNING** *Risk of injection or severe injury. Keep clear of nozzle. Do not discharge streams at persons. This product is to be used only by trained operators. Always remove lance from gun before cleaning debris from tip.*



**Important Safety Information (Continued)**

- d. Keep clear of nozzle. NEVER direct high pressure spray at a person, animal, or yourself.
- e. NEVER put hand or fingers over the spray tip while operating the unit.
- f. NEVER try to stop or deflect leaks with any body part.

**▲ WARNING** *Ensuring that the tool is used only when the operator and all other personnel in the work area are wearing ANSI Z87 eye protection equipment, and when required, other appropriate protection equipment such as head, hearing protection, gloves, rubber boots, protective clothing when operating and performing maintenance. Serious eye or permanent hearing loss could result.*

**TOOL USE AND CARE**

**▲ WARNING** *Do not use pressure that exceeds the operating pressure of any of the parts (hoses, fittings, etc.) in the pressurized system. Ensure all equipment and accessories are rated to withstand the maximum working pressure of the unit.*

**▲ WARNING** *Explosion hazard:*

- a. Maintain the tool with care. A properly maintained tool reduces the risk of problems and is easier to control.
- b. Ensure safety devices are operating properly before each use. DO NOT remove or modify any part of the gun or unit.
- c. NEVER operate the machine without all components properly connected to the machine (handle, gun/wand assembly, nozzle, etc.).
- d. Know how to stop this product and bleed pressure quickly. Be thoroughly familiar with the controls.
- e. ALWAYS engage the trigger safety latch in the safe position when spraying is stopped even if only for a few moments.
- f. NEVER permanently engage the trigger mechanism on the gun.
- g. ALWAYS follow detergent manufacturer's label recommendations for proper use of detergents. Always protect eyes, skin, and respiratory system from detergent use.
- h. NEVER disconnect the high pressure discharge hose from the machine while the system is pressurized. To depressurize machine, turn power and water supply off, then press the gun trigger 2-3 times.
- i. Do not remove fuel tank cap or fill fuel tank while engine is hot or running (allow engine to cool two minutes before refueling). Always fill the tank slowly.
- j. Follow the maintenance instructions specified in the manual.

**NOTICE***Equipment damage:*

- k. ALWAYS turn water supply "ON" before turning pressure washer "ON." **Running pump dry causes serious damage.**
- l. Do not operate the pressure washer with the inlet water screen removed. Keep screen clear of debris and sediment.
- m. NEVER operate pressure washer with broken or missing parts. Check equipment regularly and repair or replace worn or damaged parts immediately.
- n. Use only the nozzles supplied with this machine.
- o. NEVER leave the wand unattended while the machine is running.
- p. ALWAYS hold gun and wand firmly when starting and operating the machine.
- q. NEVER allow the unit to run with the trigger released (off) for more than one minute. Resulting heat buildup will damage the pump.
- r. NEVER store the pressure washer outdoors or where it could freeze. Freezing temperatures can seriously damage the pump.
- s. NEVER tamper with the engine governor or attempt to alter factory settings. Altering factory settings could damage the unit and will void the warranty.

**SERVICE**

- a. **When servicing a tool, use only identical replacement parts. Use only authorized parts.**

**SAVE THESE INSTRUCTIONS — DO NOT DISCARD**

**NOTE:** *The DANGER, WARNING, CAUTION, and NOTICE notifications and instructions in this manual cannot cover all possible conditions and situations that may occur. It must be understood by the operator that common sense and caution are factors which cannot be built into this product, but must be supplied by the operator.*

## Frequently Asked Questions

### *How do I start my pressure washer?*

1. Make sure you have gas and oil in the engine. **The engine does not come with oil.**
2. Turn the water on, then squeeze the trigger on the gun to make sure the water will flow smoothly out of the tip.
3. Set the choke fully to the left. Set the fuel valve lever fully to the right in the “ON” position.
4. Pull the trigger (to relieve any back pressure in the pump) while pulling the starter cord.

### *What type of oil do I use?*

Engine: The engine DOES NOT COME FILLED WITH OIL. See Page 15 for engine oil types and quantities.

Pump: The pump comes filled with the correct amount of oil. Refer to Page 15 of this manual for oil changing instructions, oil types and quantities.

### *Why don't I have any water pressure?*

- Is the water hose attached to the pressure washer?
- Is the water turned on?
- Check for any kinks, leaks, or blockage in the hoses, fittings, or the nozzle.
- Is the quick connect tip in place? (See Page 10).
- Is the inlet filter screen free of debris? Check and remove debris if needed.

### *How do I get high pressure?*

- Use any color tip except black. The black tip is only used for low pressure detergent application.

### *How do I get the soap suction to work?*

1. Connect the clear plastic chemical suction tube to the hose barb on pump, insert the other end into your detergent.
2. Install the black spray tip to apply low pressure detergent.

### *Why doesn't the pressure washer apply detergents with high pressure?*

Detergents “bounce” off cleaning surfaces as fast as they are applied. The pressure washer’s features allow for a detergent to be drawn while in low pressure mode only. By applying detergent at low pressure, the effect of “bouncing” is reduced. Also, detergents are only effective when time is allowed for them to work on the surface of whatever is being cleaned. After applying the detergent, wait 1-3 minutes while it works, and then proceed to rinse the surface with high pressure.

### *What maintenance do I need to perform on my pressure washer?*

1. After turning off the pressure washer and the water, depressurize the hose by triggering the gun.
2. Remove the garden hose and high pressure hose from the pump.
3. Pull the start rope slowly five times to purge water from the pump. This will help protect the pump from damage.
4. Do not store your pressure washer in an area where the temperature will drop below 32° F.
5. Follow proper storage and winterizing instructions found on page 14.

### *What do I do if I'm missing a part?*

Call Campbell Hausfeld at 1-800-330-0712 and we will promptly replace your missing parts for the first 90 days of ownership.  
**DO NOT RETURN THE PRESSURE WASHER TO THE RETAILER!**

### *Where can I buy accessories for my pressure washer?*

- If you can't find accessories at the store where you purchased your pressure washer, call Campbell Hausfeld at 1-800-330-0712 or visit our website at [www.chpower.com](http://www.chpower.com).

### *Who do I call if I have questions or problems?*

Call Campbell Hausfeld at 1-800-330-0712 (U.S.A.)

Unpacking



Figure 2

CONTENTS IN THE CARTON

- ◆ One pressure washer (pump, motor, and cart base)
- ◆ One cart handle assembly
- ◆ One spray gun and quick connect lance
- ◆ Five spray tips
- ◆ One high pressure hose
- ◆ One pack of nuts, bolts, and manuals

ADDITIONAL ITEMS NOT INCLUDED

- ◆ ANSI Z87 Eye Protection
- ◆ Garden Hose

After unpacking the unit, inspect carefully for any damage that may have occurred during transit. Check for loose, missing or damaged parts. Make sure to tighten fittings, bolts, etc., before using the pressure washer. Check to be sure all supplied accessories are enclosed with the unit. If any parts are missing, **DO NOT RETURN THE UNIT TO THE RETAILER.** Know the unit's model number (located on the serial number tag on the pressure washer frame) and call 1-800-330-0712 for replacement parts.

**⚠ WARNING** Do not operate the unit if it's damaged during shipping, handling, or use. Damage could result in bursting and cause injury or property damage.

**Read & Follow All Instructions**

**Save These Instructions**

**Do Not Discard**

## Glossary

Become familiar with these terms before operating the unit.

**CAVITATION** - The shock of thousands of bubbles collapsing inside the pump quickly, pitting metal surfaces and seals. Cavitation is caused by lack of water at the inlet of the pump.

**CHEMICAL INJECTOR** - A chemical injector allows the chemical or soap to be injected into the water stream, making cleaning faster and easier than water alone.

**DETERGENT INJECTION SYSTEM** - Cleaning detergents are drawn into the water stream making cleaning more effective by allowing detergents to saturate the soiled surface.

**GPM (GALLONS PER MINUTE)** - More water per minute can mean faster cleaning, especially when washing off materials like mud and road tar.

**HIGH PRESSURE OUTLET** - A connection for high pressure hose.

**HP (HORSEPOWER)** - A unit of measure for work.

**NOZZLE (QUICK CONNECT SPRAY TIPS)** - The nozzle is the restriction at the end of the wand that creates the pressure. Nozzles have different spray patterns that can affect the width and strength of the spray. The 40-degree (white) nozzle delivers a flat spray of about 40-degrees. There's also a 25-degree (green) and the most popular 15-degree (yellow) nozzles. The 0-degree (red) nozzle should be used with caution, it can cut into wood and cause damage.

**PSI (POUNDS PER SQUARE INCH)** - A unit of measure for pressure. It determines how much pressure is directly applied on the surface being cleaned. The pressure that is delivered by the pressure washer is directly responsible for breaking the bond between the debris and the surface being cleaned.

**THERMAL RELIEF** - A technique used to reduce the build-up of high temperature water within a pressure washer pump caused when the spray gun trigger is closed. This system prevents internal pump damage by cycling water through pump when water reaches maximum water temperature. Warm water will discharge from pump onto ground.

**UNLOADER** - A device used to relieve the water pressure within the pump whenever the spray flow is blocked. It allows the motor to continue running when the operator releases the trigger on the spray gun and stops washing. It diverts the pressure, that would build up without the unloader, by taking the water from the exit side of the pump and loops it back to the inlet side in a continuous "bypass" mode. The unloader will return the flow of water to the spray gun when the operator presses the trigger.

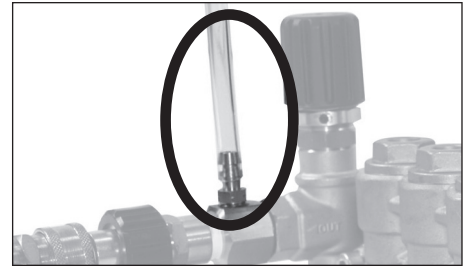


Figure 3 - Chemical Injector

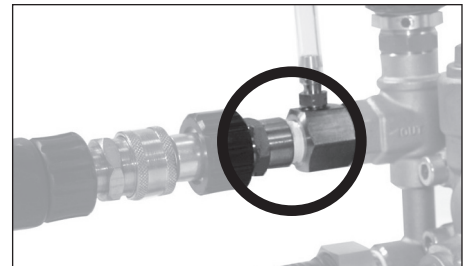


Figure 4 - High Pressure Outlet



Figure 5 - Nozzle or Quick Connect Spray Tips

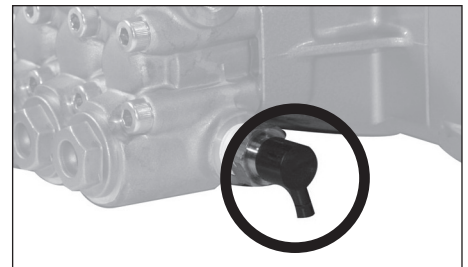
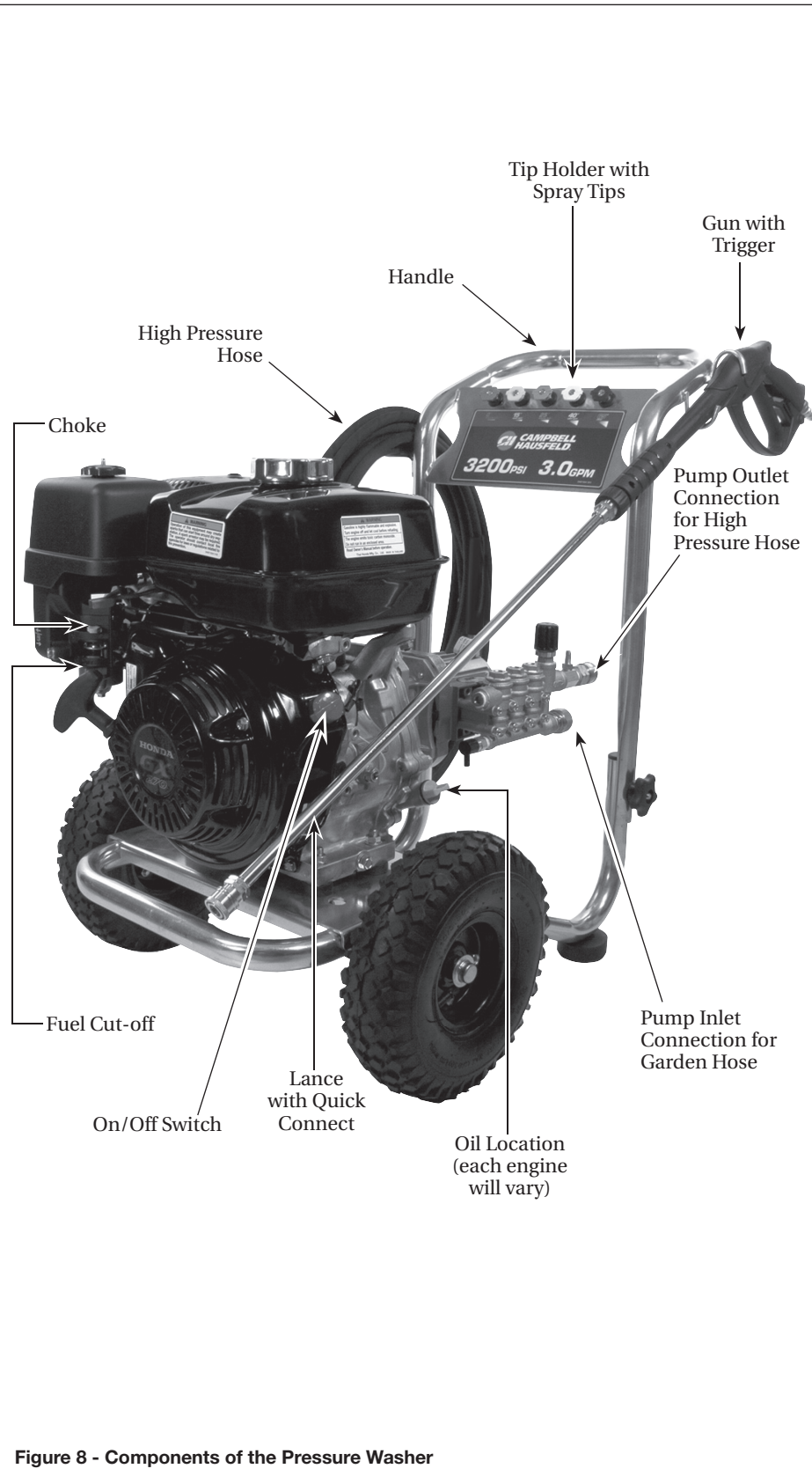


Figure 6 - Thermal Relief Valve



Getting To Know Your Pressure Washer



RECOMMENDED USES FOR THIS PRESSURE WASHER

- ◆ Patio
- ◆ Deck
- ◆ Siding
- ◆ Brick
- ◆ Concrete
- ◆ Asphalt
- ◆ Metal
- ◆ Wood
- ◆ Vehicles
- ◆ Garage/Shops
- ◆ Home exteriors
- ◆ Building exteriors

Figure 8 - Components of the Pressure Washer

## Assembly and Pre-Operation

### ASSEMBLY AND PRE-OPERATION

1. Slide the handle assembly over the lower legs of the cart base. Use the (supplied) star knob and bolts to secure the handle to the legs (See Figure 9).
2. Slide clear plastic detergent hose onto brass hose barb (See Figure 10).
3. Insert quick connect spray tips into rubber holders on front of the placard. (See Figure 11).
4. Secure garden hose (not included) to the inlet connection on pump (See Figure 12).
5. Connect the high pressure hose to the pump outlet (See Figure 13).
6. Attach the lance to the gun (See Figure 14).
7. Install quick connect tip (See Figure 15).

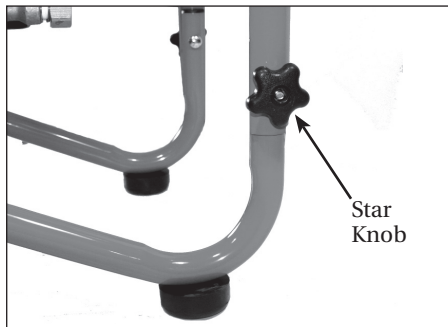


Figure 9 - Assemble handle



Figure 10 - Attach suction tube to barb fitting



Figure 11 - Insert spray tips into the holder

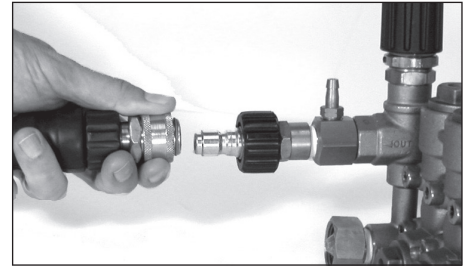


Figure 13 - Connect high pressure hose to pump

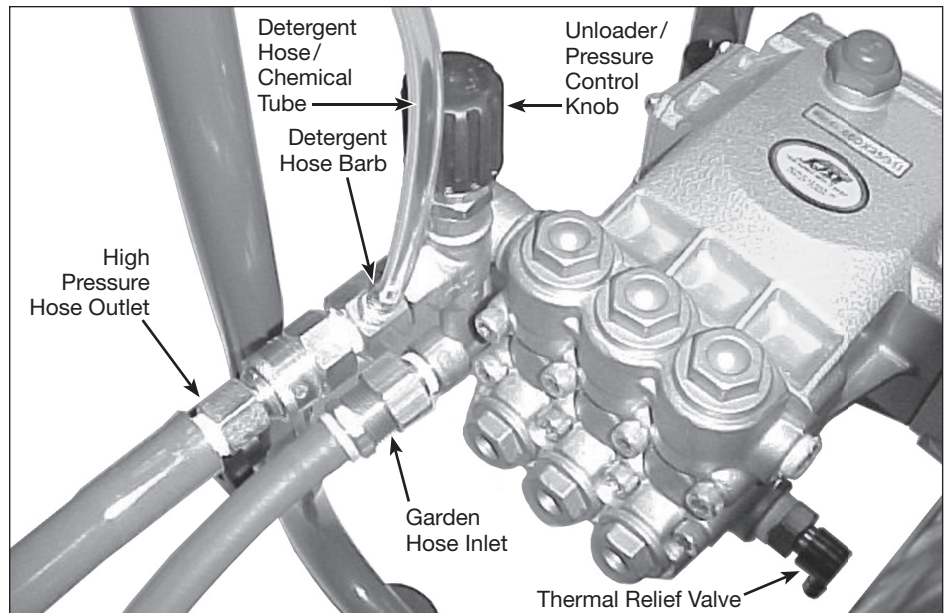


Figure 12 - Pump hook up (PW4070 shown - other models are similar)

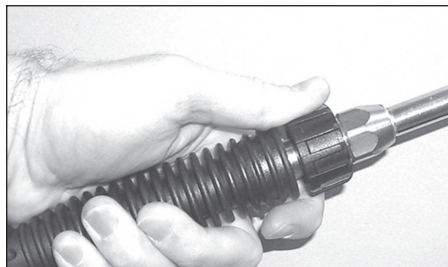


Figure 14 - Attach lance to gun

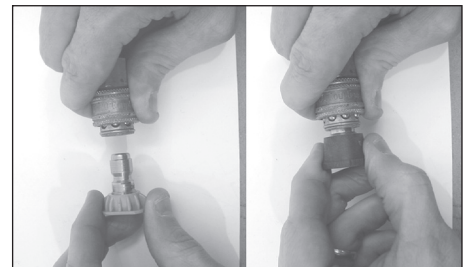


Figure 15 - Quick connect tip

## Assembly and Pre-Operation (Continued)

### TRIGGER SAFETY LATCH

In the engaged position, the trigger safety latch prevents the gun from being triggered accidentally. Push the latch fully up to engage it (See Figure 16 and 17).

Always engage the trigger safety latch when the unit is not in use.

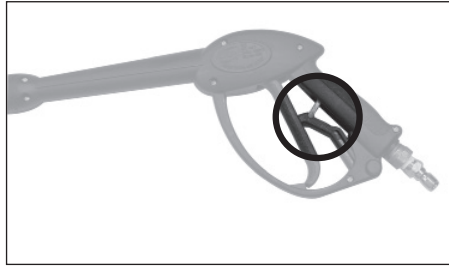


Figure 16 - Trigger locked



Figure 17 - Trigger unlocked

## Operation

### SURFACE PREPARATION

The following cleaning procedure will help you organize your cleaning task and ensures that you will achieve the best results in the shortest amount of time. Remember to use the spraying / cleaning techniques mentioned in the following section.

Before starting a pressure washer cleaning job, prepare the surface you intend to clean. Clear furniture from the area and make sure that all windows and doors are closed tightly. Also, protect all plants and trees near the cleaning area with a drop cloth. A covering ensures that your plants won't be sprayed by the detergents.

### START UP

ALWAYS use this start up procedure to ensure that the unit is started safely and properly.

#### NOTICE

*If water has frozen in the pressure washer, thaw the pressure washer in a warm room before starting. DO NOT pour hot water on or into the pump; internal parts will be damaged.*

1. Check engine oil levels. Add oil as necessary.
2. Check fuel level. Add unleaded gasoline (rated 86 octane or higher) as required.

#### WARNING

*DO NOT refuel a hot engine. Refueling a hot engine could cause a fire. Use only fresh, clean regular or unleaded gasoline. Close the fuel shutoff valve during refueling.*

3. Attach a garden hose to the inlet side of the pump and connect it to the water supply. Use a hose with an internal diameter (I.D.) of 5/8 in. (1.58 cm) and a length of 50 ft. (15 m) or less.

#### NOTICE

*Some local plumbing codes require backflow prevention when connecting to a fresh water supply. Install a backflow preventer upstream from the pump if necessary.*

- a. If inlet water pressure is over 100 psi, install a regulating water valve at the garden hose connection.
- b. Do not exceed 100° F (38° C) inlet water temperature.

**NOTE:** The inlet water supply must have a minimum flow rate of 5 gpm (19 lpm).

4. Turn the water supply ON.

#### NOTICE

*Never run the unit dry. Be sure the water supply is completely turned on before operating the unit.*

5. Trigger the gun until water sprays from the tip indicating that all air is purged from the system. Set the trigger safety latch.
6. Open the fuel shutoff valve by turning the lever to the right / "ON" position. Close the choke (if the engine is cold) by moving the choke lever fully to the left. Move the throttle fully to the left to the "Run" or "Rabbit" position. Turn the ON / OFF switch to the "ON" position (see Figure 18).

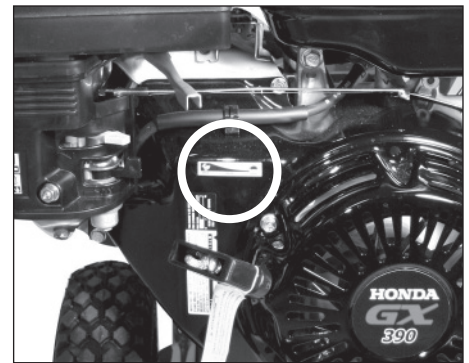


Figure 18 - Throttle

## Operation (Continued)

7. Start the engine: Unlock the trigger safety latch on the gun. Grasp the starter rope and brace one foot on the chassis. While squeezing the trigger on the gun, pull the starter rope rapidly and firmly. Continue holding the rope as it returns. Repeat these steps until the engine starts.

**CAUTION** When pulling the starter rope, make sure to keep your hand and arm clear of the engine and cart components.

**NOTICE** Never let the starter rope return by itself. Doing so could jam the recoil system.

8. If the engine does not start after two or three pulls or if the rope is hard to pull, squeeze the gun trigger to release the pressure that has built up in the high pressure hose. Repeat Steps 7 and 8 until the engine starts.

### INITIAL HIGH PRESSURE RINSE

Spray the cleaning surface with water to clear off any dirt or grime that may have collected on the surface. Doing so allows the detergent to attack the deep down dirt that has worked its way into the cleaning surface.

Trigger the gun 3 to 5 times to get any trapped air out of the system. After the spray becomes constant, you may need to adjust the pressure.

### Pressure Adjustment

Please refer to your CAT pump manual for specific pressure adjustment details.

### Adjusting the Spray Fan Angle

Five quick connect tips are included with this pressure washer. The tips have a range of spray fan angles, ranging from 0°, narrow high impact, to a 65° wide fan spray.

Pressure can also be adjusted by moving closer or further away from the cleaning surface and by adjusting the spray fan angle as shown.

### Angle to the Cleaning Surface

When spraying water against a surface, you can generate maximum impact by striking the surface head on. However, this type of impact can cause dirt particles to embed in the surface and can prevent the desired cleaning action.

The optimum angle for spraying water against a cleaning surface is 45°.

Spray water against a surface at a 45° angle to achieve the most beneficial impact force and to efficiently remove debris (see Figure 21).

### Distance From Cleaning Surface

The distance between the spray tip and the cleaning surface is another factor that affects the impact force of the water. The impact force of the water increases as the tip is moved closer to the surface.

### How to Avoid Damaging Surfaces

Damage to cleaning surfaces occurs because the impact force of the water exceeds the durability of the surface. You can vary the impact force by controlling the spray tip angle to the cleaning surface and the distance from the cleaning surface and by changing the spray tip. NEVER use a narrow high impact stream on a surface that is susceptible to damage. Avoid spraying windows with a narrow high impact stream. Doing so may break the window. The most sure way to avoid damaging surfaces is to follow these steps:

1. Before triggering the gun, make sure the quick connect tip you are using is appropriate for the application.
2. Place the spray tip approximately 4-5 feet (1,22-1,52 m) away from the cleaning surface. Then hold the lance and spray tip at a 45° angle to the cleaning surface. Trigger the gun.

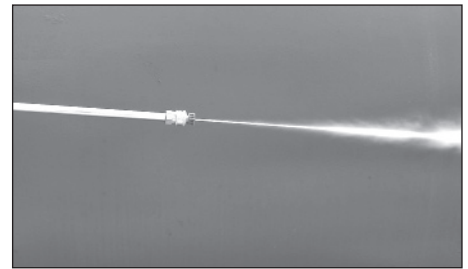


Figure 19 - Narrow high impact stream

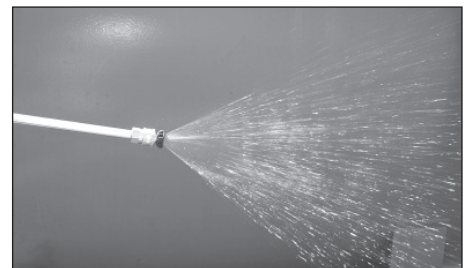


Figure 20 - Wide fan pattern



Figure 21 - Optimum angle to cleaning surface

## Operation (Continued)

- Vary the fan pattern spray angle and the distance to the cleaning surface until optimum cleaning efficiency is achieved without damaging the surface.

### DETERGENT APPLICATION

**NOTE:** Use only detergents formulated for pressure washers. Test detergent in an inconspicuous area before use.

#### Detergents

The use of detergents can dramatically reduce cleaning time and assist in the removal of difficult stains. Many detergents are customized for pressure washer use on specific cleaning tasks. Pressure washer detergents are as thick as water. Using thicker detergents – like dish soap – will clog the chemical injection system and prevent the application of the detergent.

Once applied to a cleaning surface, detergents take time to break down dirt and grime. Detergents work best when applied at low pressure.

You can effectively clean surfaces by combining the chemical action of detergents with high pressure rinses. On vertical surfaces, apply the detergent starting at the bottom and work your way upward. This method prevents the detergent from sliding down and causing streaks. Begin high pressure rinsing at the bottom and work your way upward. On particularly tough stains, use a brush in combination with detergents and high pressure rinsing.

- Follow manufacturer's label directions for mixing correct ratios of soap/detergents. The soap detergent to water ration through the pump is approximately 10% (1 to 10).
- Insert the filter end of the clear plastic detergent tube into the detergent container.
- Use the black 65° quick connect spray tip.

#### General Cleaning Tips

- Apply the detergent so that it thoroughly covers the cleaning surface. Apply the detergent from bottom to top to prevent the detergent from sliding down and streaking. Wait a couple of minutes for the detergent to break down the dirt and grime. Use a brush to lightly scrub heavily soiled areas. Never allow the detergent to dry on the cleaning surface.
- To rinse: replace black 65° spray tip with another color tip.

**▲ WARNING** *Never replace quick connect tip when gun is triggered. Always engage trigger lock on gun before removing or installing quick connect tips.*

- After using detergents, flush the suction system by placing the detergent suction tube into a bucket of clean water and spraying with the black spray tip.

### CLEANING POWER

The easiest way to regulate the cleaning power of your pressure washer is by changing the distance from the surface you are cleaning. Begin spraying with a wide fan pattern while standing several feet from the surface. Slowly move closer to the object you are cleaning, adjusting the spray pattern as necessary, until you find the most effective cleaning technique.

**NOTE:** The unit may have also a pressure adjustment knob on the pump that can adjust the pressure.

### FINAL RINSE

The final rinse should start at the bottom and work upward. Make sure that you thoroughly rinse the surface and that you remove all detergent.

### PRESSURE RELIEF PROCEDURE

To reduce the risk of bodily injury or property damage, always follow this procedure whenever spraying is stopped, when work is completed, and before checking or repairing any part of the system.

- Engage the trigger safety latch.
- Turn the unit off.
- Shut off the water supply.
- Disengage the trigger safety latch and trigger the gun to relieve pressure.
- Re-engage the trigger safety latch.
- When checking or repairing unit, remove ignition cable from the spark plug.
- Before overnight storage, long term storage, or transporting unit, disconnect the water supply and turn off the fuel supply valve.

### SHUTDOWN

- Be sure all detergent is flushed from system.
- Turn the engine OFF.
- Turn the water supply OFF.
- After the motor and water supply are turned off, trigger the gun to depressurize the system.

**NOTICE** *NEVER turn the water supply off before turning the engine/motor off. Serious damage could occur to the pump and/or engine/motor.*

**▲ CAUTION** *NEVER disconnect the high pressure discharge hose from the machine while the system is pressurized. To depressurize, turn engine/motor off, turn water supply off and squeeze gun trigger 2-3 times.*

- After each use, wipe all surfaces of the pressure washer with a clean, damp cloth.

## Operation (Continued)

### STORAGE

- Do not store the pressure washer outdoors.
- Do not store the pressure washer where it might freeze unless it has been properly winterized.

### Long Term Storage Instructions (more than 30 Days in storage)

1. Remove fuel from the tank and run the pressure washer in a normal operating mode until the engine stops from a lack of fuel. Normal operating mode means actually spraying water from the gun while the engine is running.  
Alternate method – Add fuel stabilizer to gas in the tank and run in normal operating mode for at least five minutes.
2. Stop the engine, turn off the water supply, and trigger the gun to release pressure in the high-pressure hose.
3. Disconnect the water supply and high pressure hose from the pump.
4. Allow the engine to cool.
5. Disconnect the spark plug wire and remove the spark plug.
6. Pour 1/2 oz. of engine oil into the spark plug hole.

**▲ WARNING** *Never pull the starter rope on the engine when the spark plug is removed unless the spark plug hole is covered. Fuel vapor from the hole can ignite by a spark.*

7. Place a rag over the spark plug hole and slowly pull the starter rope several times to distribute the oil.

### WINTERIZING INSTRUCTIONS

1. Follow and complete the Long Term Storage Instructions above.
2. Disconnect the spark plug wire.
3. Disconnect the high pressure hose from the pump.
4. Insert a 12 in. to 14 in. piece of garden hose into the pump inlet.
5. Place a funnel in the other end of the garden hose.

**NOTICE** *Read the manufacturer's instructions for safe handling and disposal of RV antifreeze.*

6. Pour approximately 6 oz. of RV antifreeze into the funnel.
7. Pull the starter rope several times until the RV antifreeze comes out of the pump outlet.
8. Disconnect the high pressure hose from the gun and drain the hose. Hold the gun and lance in a vertical position and squeeze the trigger to drain the water out.

### TIPS FOR EXTENDING THE LIFE OF YOUR PRESSURE WASHER

1. Never operate the unit without water.
2. Your pressure washer is not meant to pump hot water. Never connect your pressure washer to a hot water supply as it will significantly reduce the life of the pump.
3. Running the unit for more than one minute without spraying water causes heat to build up in the pump. Running the unit without spraying water can damage pump components.

## Maintenance

Observe regular maintenance intervals to ensure maximum performance and life from the pressure washer. Refer to the schedule for recommended maintenance. If you operate the pressure washer in dusty conditions, perform maintenance checks more often.

### ENGINE OIL CHANGING INSTRUCTIONS

**CAUTION** Before tipping the engine or equipment to drain oil, drain fuel from the fuel tank.

**NOTE:** Change oil while the engine is cool.

1. Disconnect the spark plug wire from the spark plug.
2. Locate and remove the engine oil drain plug (See Figure 22).
3. Drain old oil.
4. Replace the drain plug and set the unit upright.
5. Refill the unit with new oil of a recommended type and quantity. Fill the unit to the bottom edge of the oil fill neck.

### PUMP OIL CHECKING / CHANGING INSTRUCTIONS

Please refer to provided AR Pump Specification page provided with your Pressure Washer for details.

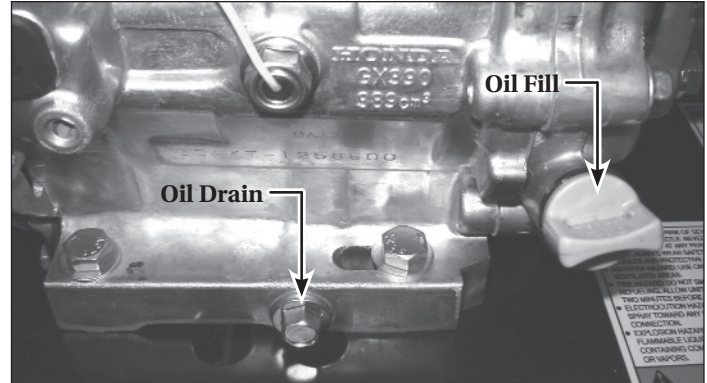


Figure 22 - Oil drain and fill locations

### MAINTENANCE SCHEDULE

Maintenance Schedule	Action needed
Daily	<ul style="list-style-type: none"> <li>• Check water inlet screen and filter.</li> <li>• Check engine oil levels. Fill as necessary.</li> <li>• Check gasoline level. Fill as necessary.</li> </ul>
After first 5 hours of operation	<ul style="list-style-type: none"> <li>• Change engine break-in oil. Use 10W-30 automotive detergent oil. See your Honda Owner's manual for specific information.</li> </ul>
Every 25 hours of operation	<ul style="list-style-type: none"> <li>• Change oil if operating under heavy load or high ambient temperature.</li> <li>• Clean or replace paper air cleaner cartridge. Tap gently to remove dirt.</li> </ul>
Every 50 hours of operation	<ul style="list-style-type: none"> <li>• Change oil.</li> <li>• Replace spark plug.</li> </ul>
Each 100 hours of operation or every 3 months	<ul style="list-style-type: none"> <li>• Replace paper air cleaner cartridge.</li> <li>• Change engine oil.</li> </ul>

### TECHNICAL AND CONSUMER INFORMATION

Horizontal Oriented Pressure Washers	
<b>Engine Oil Type</b>	SAE 10W-30 (See Honda's Owner Manual)
<b>Engine Oil Capacity</b>	
Honda GX160	20 fl. oz.
Honda GX270	37 fl. oz.
Honda GX390	37 fl. oz.
<b>Engine Fuel Capacity</b>	
Honda GX160	3.3 US quarts (3.1 L)
Honda GX270	5.6 US quarts (5.3 L)
Honda GX390	6.4 US quarts (6.1 L)
<b>Pump Oil Type</b>	CAT pump oil
<b>Pump Oil Capacity</b>	
CAT Pumps	
3DNX25	8.5 fl. oz.
3SPX30	10.15 fl. oz.
66DX35	18 fl. oz.
<b>Pump Detergent Suction</b>	
Water to detergent ratio	10 to 1 (10% detergent)
<b>Water Supply Requirements</b>	
Minimum inlet pressure	20 psi
Maximum inlet pressure	100 psi
Maximum inlet temperature	100° F
Minimum inlet flow rate	5 gpm
Inlet garden hose size	5/8 inch I.D.
Maximum inlet garden hose length	50 feet

## Troubleshooting Guide

SYMPTOM	CAUSE	SOLUTION
Low pressure and /or pump runs rough	<ol style="list-style-type: none"> <li>1. Worn or wrong size tip</li> <li>2. Inlet filter on pump clogged</li> <li>3. Worn water seals, abrasives in water, or natural wear</li> <li>4. Fouled or dirty inlet or discharge valves</li> <li>5. Restricted inlet</li> <li>6. Worn inlet or discharge valves</li> <li>7. Leaking high pressure hose</li> <li>8. Pump drawing in air</li> <li>9. Unloader valve seat faulty or worn</li> </ol>	<ol style="list-style-type: none"> <li>1. Replace with tip of proper size</li> <li>2. Clean. Check more frequently</li> <li>3. Check filter. Replace water seals. See service center</li> <li>4. Clean inlet and discharge valve assemblies. Check filter</li> <li>5. Check garden hose, may be collapsed or kinked. Check inlet water flow</li> <li>6. Replace worn valves</li> <li>7. Replace high pressure hose</li> <li>8. Ensure hoses and fittings are tight</li> <li>9. Check and replace</li> </ol>
Water leakage from under pump manifold	Worn water seals	Install new water seals. See CAT service center
Water in pump crankcase (milky oil)	<ol style="list-style-type: none"> <li>1. Humid air condensing inside crankcase</li> <li>2. Oil seals leaking</li> </ol>	<ol style="list-style-type: none"> <li>1. Change oil as specified in maintenance schedule</li> <li>2. Install new oil seals. See CAT service center</li> </ol>
Frequent or premature failure of the pump water seals	<ol style="list-style-type: none"> <li>1. Scored damaged or worn plungers</li> <li>2. Abrasive material in the fluid</li> <li>3. Inlet water temperature too high</li> <li>4. Overpressurizing pump</li> <li>5. Excessive pressure due to partially plugged or damaged tip</li> <li>6. Pump running too long without spraying</li> <li>7. Pump running dry</li> </ol>	<ol style="list-style-type: none"> <li>1. Install new plungers. See CAT service center</li> <li>2. Install proper filtration on pump inlet plumbing</li> <li>3. Check water temperature; may not exceed 100° F.</li> <li>4. Do not modify any factory set adjustments.</li> <li>5. Clean or replace tip.</li> <li>6. Never run pump more than 1 minute without spraying</li> <li>7. Do not run pump without water</li> </ol>
Strong surging at the inlet and low pressure	Foreign particles in the inlet or discharge valve or worn inlet and/or discharge valves	Clean or replace valves. See CAT service center
Oil leakage between the engine and the pump	Worn oil seals and/or o-ring	Replace oil seals and/or o-ring. See service center
Fluctuating pressure	<ol style="list-style-type: none"> <li>1. Valve worn, dirty or stuck</li> <li>2. Pump drawing in air</li> <li>3. Tip clogged</li> </ol>	<ol style="list-style-type: none"> <li>1. Check and replace</li> <li>2. Ensure hoses and fittings are tight. Purge air from garden hose</li> <li>3. Check or replace</li> </ol>
Pressure drops after period of normal use	<ol style="list-style-type: none"> <li>1. Worn pump water seals</li> <li>2. Nozzle worn</li> <li>3. Valve worn, dirty or stuck</li> <li>4. Unloader valve seat worn or dirty</li> <li>5. Nozzle in low psi position</li> </ol>	<ol style="list-style-type: none"> <li>1. Check and replace</li> <li>2. Check and replace</li> <li>3. Check, clean or replace</li> <li>4. Check, clean or replace</li> <li>5. Pull back nozzle to high pressure position</li> </ol>

*Continued on next page*



## Troubleshooting Guide

SYMPTOM	CAUSE	SOLUTION
Engine will not start or is hard to start	1. No gasoline in fuel tank or carburetor	1. Fill the tank with gasoline, open fuel shut off valve. Check fuel line and carburetor
	2. Low oil	2. Check oil level. Fill if necessary
	3. Start/Stop switch in stop position	3. Move switch to start position
	4. Water in gasoline or old fuel	4. Drain fuel tank and carburetor. Use new fuel and dry spark plug
	5. Dirty air cleaner filter	5. Remove and clean or replace
	6. Spark plug dirty, wrong gap or wrong type	6. Clean, adjust the gap, or replace
	7. Spray gun closed	7. Trigger spray gun
	8. Other causes	8. See engine owner's manual
Engine misses or lacks power	1. Partially plugged air cleaner filter	1. Remove and clean or replace
	2. Spark plug dirty, wrong gap or wrong type	2. Clean, adjust the gap, or replace
Pump noisy / pump runs rough	1. Pump drawing in air/low water supply	1. Ensure fittings are tight. Increase water pressure
	2. Valves dirty or worn	2. Check, clean or replace
	3. Worn bearings	3. Check and replace
	4. Water too hot	4. Reduce temperature below 100° F
Pressure washer will not spray detergent	1. Not using soap tip	1. Install 65 degree (black) soap tip
	2. Clog, kink, or hole in detergent suction hose	2. If clean, unkink or replace hose.
	3. Hose length too long	3. Use only hose length provided with initial purchase of pressure washer. Detergent suction will not function if more than one section of hose is attached to unit.
	4. Lance not functioning properly	4. Remove lance from gun. If detergent is dispensed through gun, the lance must be replaced. If no detergent is dispensed through gun, remove 1 inch tapered detergent barb from pump. Clean the barb, and make sure that ball and spring are properly aligned with tapered portion of the spring facing the ball. The ball should be on top of the spring.

**For Replacement Parts or Technical Assistance, Call 1-800-330-0712**

Please provide following information:

- Model number
- Serial number (if any)
- Part description and number as shown in parts list

Address any correspondence to:

Campbell Hausfeld  
Attn: Customer Service  
100 Production Drive  
Harrison, OH 45030 U.S.A.

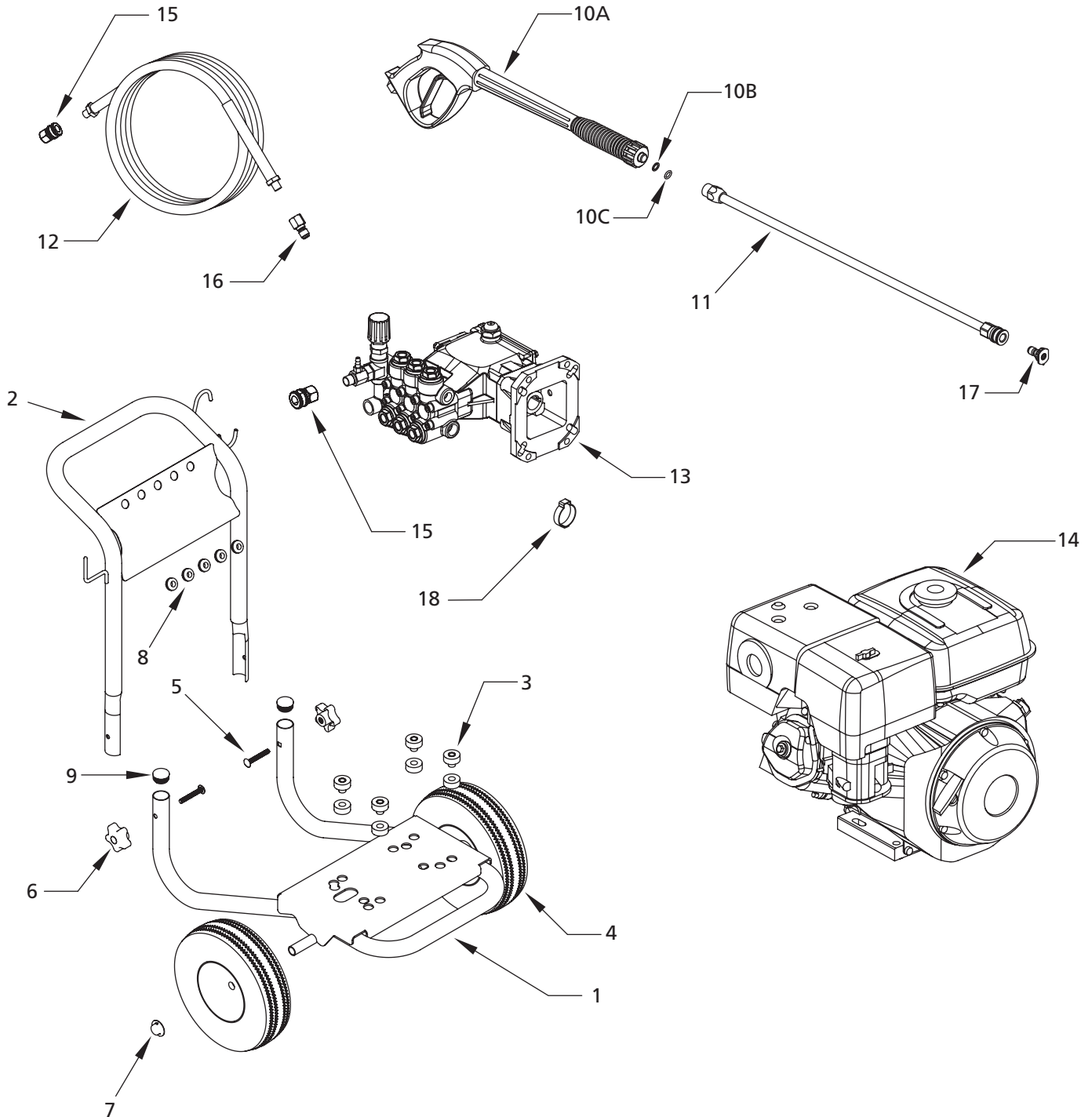


Figure 23 – Repair Parts Illustration

## Replacement Parts List

Ref. No.	Description	PW2770	PW3270	PW4070	Qty.
1	Frame assembly	PM350249SJ	PM350249SJ	PM350249SJ	1
2	Handle assembly	PM350250SJ	PM350250SJ	PM350250SJ	1
3	ISO mount assembly	PM344772SJ	PM344772SJ	PM344772SJ	4 per kit
4	Pneumatic wheel	WA005621AV	WA005621AV	WA005621AV	2
5	Carriage bolt	PM344774SJ	PM344774SJ	PM344774SJ	2 per kit
6	Star knob	PM344773SJ	PM344773SJ	PM344773SJ	2 per kit
7	Palnut	PM344775SJ	PM344775SJ	PM344775SJ	2 per kit
8	Rubber grommet	MJ110200AV	MJ110200AV	MJ110200AV	5
9	Plug	MJ106802AV	MJ106802AV	MJ106802AV	2
10A	Gun	PM005133AV	PM005133AV	PM005133AV	1
10B	Gun o-ring	PM345402SV	PM345402SV	PM345402SV	2
10C	Gun back-up o-ring	PM232211SV	PM232211SV	PM232211SV	1
11	Lance	PM035120AV	PM035120AV	PM035120AV	1
12	High pressure hose	PM005010AV	PM005012AV	PM005012AV	1
13	Pump Assembly	PM347000SJ	PM347100SJ	PM350251SJ	1
14	Engine	★	★	★	1
15	Socket - Quick connect	PM068070AV	PM068070AV	PM068070AV	2
16	Plug - Quick connect	PM068066AV	PM068066AV	PM068066AV	1
17	Quick Connect Tips - <i>Orifice size</i>	#3.00	#3.50	#3.50	
	0 (Red)	PM039870AV	PM039700AV	PM039700AV	1
	15 (Yellow)	PM039880AV	PM039710AV	PM039710AV	1
	25 (Green)	PM039890AV	PM039720AV	PM039720AV	1
	40 (White)	PM039900AV	PM039730AV	PM039730AV	1
	Detergent (Black)	PM039820AV	PM039820AV	PM039820AV	1
18	1 inch Hose clamp	*	*	*	1
*	Standard hardware item				
★	For engine service or replacement parts, call Honda at 1-800-426-7701				

---

**Reminder:** *Keep your dated proof of purchase for warranty purposes! Attach it to this manual or file it for safekeeping.*

---

## Warranty

1. **DURATION:** From the date of purchase by the original purchaser as follows: Three (3) years pressure washer unit, two (2) years pump and motor, and 90 days for wear items.
2. **WHO GIVES THIS WARRANTY (WARRANTOR):** Campbell Hausfeld / Scott Fetzer Company, 100 Production Drive, Harrison, OH 45030, Telephone: 1-800-330-0712.
3. **WHO RECEIVES THIS WARRANTY (PURCHASER):** The original purchaser (other than for purposes of resale) of the Campbell Hausfeld pressure washer.
4. **WHAT PRODUCTS ARE COVERED UNDER THIS WARRANTY:** This Campbell Hausfeld Pressure Washer.
5. **WHAT IS COVERED UNDER THIS WARRANTY:** Substantial defects on material and workmanship which occur within the duration of the warranty period with the exceptions noted below.
6. **WHAT IS NOT COVERED UNDER THIS WARRANTY:**
  - A. Implied warranties, including those of merchantability and FITNESS FOR A PARTICULAR PURPOSE ARE LIMITED FROM THE DATE OF ORIGINAL PURCHASE AS STATED IN THE DURATION. Some states do not allow limitation on how long an implied warranty lasts, so the above limitations may not apply to you.
  - B. ANY INCIDENTAL, INDIRECT, OR CONSEQUENTIAL LOSS, DAMAGE, OR EXPENSE THAT MAY RESULT FROM ANY DEFECT, FAILURE, OR MALFUNCTION OF THE CAMPBELL HAUSFELD pressure washer. Some States do not allow the exclusion or limitation of incidental or consequential damages, so the above limitation or exclusion may not apply to you.
  - C. Any failure that results from shipping damage, accident, purchaser's abuse, neglect or failure to install and operate pressure washer in accordance with instructions provided in the owner's manual(s) supplied with product.
  - D. Pre-delivery service, i.e. assembly, oil or lubricants and adjustment.
  - E. Items or service normally required to maintain the pressure washer.
  - F. Additional items not covered under the warranty:
    1. Normal wear items such as high pressure hoses, water and oil seals, o-rings, valves, lances and spray tips.
    2. Cosmetic defects that do not interfere with functionality.
    3. Rusted components.
    4. Pump wear or valve damage caused by using improper oil, oil contamination or by failure to follow proper oil maintenance guidelines.
  - G. Gasoline engine and components are expressly excluded from coverage under this limited warranty. Such components should be returned by the purchaser to the original manufacturer or to its authorized repair stations for service.
7. **RESPONSIBILITIES OF WARRANTOR UNDER THIS WARRANTY:** Repair or replace, at Warrantor's option, pressure washer or component which is defective, has malfunctioned and/or failed to conform within duration of the warranty period.
8. **RESPONSIBILITIES OF PURCHASER UNDER THIS WARRANTY:**
  - A. Provide dated proof of purchase and maintenance records.
  - B. Deliver or ship the Campbell Hausfeld pressure washer or component to nearest Campbell Hausfeld Authorized Service Center. Freight costs, if any, must be borne by the purchaser.
  - C. Use reasonable care in the operation and maintenance of the pressure washer as described in the owner's manual(s).
9. **WHEN WARRANTOR WILL PERFORM REPAIR OR REPLACEMENT UNDER THIS WARRANTY:** Repair or replacement will be scheduled and serviced according to the normal work flow at the servicing location, and depending on the availability of replacement parts.

This Limited Warranty applies in the U.S., Canada and Mexico only and gives you specific legal rights. You may also have other rights which vary from state to state or country to country.



# Lavadoras a presión con motor a gasolina

Manual de Instrucciones y Lista de Piezas

**PW2770**  
**PW3270**  
**PW4070**



## Índice

---

Descripción .....	Sp3	Ángulo con respecto a la superficie a limpiar.....	Sp12
Especificaciones .....	Sp3	Distancia a la superficie de limpieza .....	Sp12
Medidas de Seguridad .....	Sp4	Cómo evitar daños a la superficie .....	Sp12
Símbolos de Seguridad .....	Sp4	Aplicación de Detergente.....	Sp13
Importantes Instrucciones De Seguridad .....	Sp4	Detergentes .....	Sp13
Instrucciones En Referencia Al Peligro De Incendios, Choque Eléctrico O Lesiones Personales.....	Sp4	Consejos generales de limpieza..	Sp13
Proposición 65 de California .....	Sp4	Poder de Limpieza.....	Sp13
General .....	Sp4	Procedimiento de Liberación de Presión .....	Sp13
Área de Trabajo.....	Sp4	Apagado .....	Sp13
Seguridad Personal .....	Sp4	Almacenamiento .....	Sp14
Uso y Cuidado de la Herramienta ..	Sp5	Instrucciones para el Almacenamiento a Largo Plazo..	Sp14
Servicio .....	Sp5	Instrucciones para la Preparación Invernal.....	Sp14
Preguntas Frecuentes .....	Sp6	Sugerencias para Extender la Vida Útil de su Lavadora a Presión .....	Sp14
Desempaque .....	Sp7	<b>Mantenimiento .....</b>	<b>Sp15</b>
Contenido de la Caja.....	Sp7	Instrucciones para el Cambio de Aceite del Motor .....	Sp15
Artículos Adicionales no Incluidos..	Sp7	Planificación del Mantenimiento..	Sp15
<b>Glosario.....</b>	<b>Sp8</b>	Información Técnica y Para el Consumidor.....	Sp15
<b>Conozca su Lavadora a Presión .....</b>	<b>Sp9</b>	<b>Tabla de Identificación de Problemas.....</b>	<b>Sp16</b>
Usos Recomendados para esta Lavadora a Presión.....	Sp9	<b>Lista de Piezas de Repuesto .....</b>	<b>Sp18</b>
<b>Ensamblaje y Antes del Funcionamiento .....</b>	<b>Sp10</b>	<b>Garantía Limitada.....</b>	<b>Sp20</b>
Ensamblaje y Antes del Funcionamiento.....	Sp10		
Seguro del Gatillo.....	Sp11		
<b>Funcionamiento .....</b>	<b>Sp11</b>		
Preparación de Superficie .....	Sp11		
Encendido .....	Sp11		
Enjuague Inicial de Alta Presión ...	Sp12		
Ajuste de la Presión.....	Sp12		
Ajuste del ángulo de rociado .....	Sp12		

---

### Por Información Sobre Piezas, Productos y Servicios

**Llame:** Atención al cliente al 1-800-330-0712

**Dirija toda la correspondencia a:** Campbell Hausfeld  
Attn: Customer Service  
100 Production Drive  
Harrison, OH 45030 U.S.A.



# Lavadoras a presión con motor a gasolina



## Descripción

Estas potentes y duraderas lavadoras a presión a gasolina están diseñadas para proyectos industriales. Son estupendas para proyectos en talleres de mantenimiento, granjas y edificios comerciales como por ejemplo para senderos o aceras de hormigón y equipo pesado.

Todos los carros tienen una estructura de acero duradera, están soldados y cubiertos con pintura pulverizada para una larga duración. Estas lavadoras a presión son orgullosamente fabricadas en Tennessee con motores Honda confiables y de trabajo pesado y con bombas de grado comercial.



Figura 1 - Modelos PW2770, PW3270 y PW4070

## Especificaciones

### Modelo PW2770

Honda GX160

CAT 30NX25

Boquilla N.º 3.0

**Presión:** 189,6 bar (2750 psi )

**Flujo:** 9,5 l/m (2,5 GPM)

### Modelo PW3270

Honda GX270

CAT 35PX30

Boquilla N.º 3.5

**Presión:** 220,6 bar (3200 psi)

**Flujo:** 11,4 l/m (3,0 GPM)

### Modelo PW4070

Honda GX390

CAT 66DX35X

Boquilla N.º 3.5

**Presión:** 275,8 bar (4000 psi)

**Flujo:** 13,3 l/m (2,5 GPM)

Sírvase registrar el N° de modelo y el N° de serie para usarlos cuando se ponga en contacto con el fabricante:

N° de modelo: \_\_\_\_\_

N° de serie: \_\_\_\_\_

Fecha de compra: \_\_\_\_\_

Lugar de compra: \_\_\_\_\_

Para mayor información sobre este producto, comuníquese con el distribuidor de Campbell Hausfeld más cercano a su domicilio.

## Medidas de Seguridad

Este manual contiene información que es muy importante que se conozca y comprenda. Esta información se proporciona con fines de SEGURIDAD y para EVITAR PROBLEMAS CON EL EQUIPO. Para ayudar a reconocer esta información, observe los siguientes símbolos.

**▲ PELIGRO** Peligro indica una situación inminentemente peligrosa, que si no se evita, dará como resultado la muerte o lesiones graves.

**▲ ADVERTENCIA** Advertencia indica una situación potencialmente peligrosa, que si no se evita, PODRÍA ocasionar la muerte o lesiones graves.

**▲ PRECAUCION** Precaución indica una situación potencialmente peligrosa, que si no se evita, PUEDE dar como resultado lesiones leves o moderadas.

**AVISO** Aviso indica una información importante, que de no seguirla, le podría ocasionar daños al equipo.

**IMPORTANTE:** información que requiere atención especial.

## Símbolos de Seguridad

Los siguientes símbolos de seguridad aparecen a lo largo de este manual para advertirle de importantes peligros y precauciones de seguridad.



Lea primero el manual



Riesgo de explosión



Riesgo de incendio



Riesgo de caída



Riesgo de lesiones personales



Use protección para los ojos y los oídos

## Importantes Instrucciones De Seguridad

### INSTRUCCIONES EN REFERENCIA AL PELIGRO DE INCENDIOS, CHOQUE ELÉCTRICO O LESIONES PERSONALES

Este manual contiene información sobre seguridad, funcionamiento y mantenimiento. Si tiene preguntas, llame al 1-800-330-0712 para obtener asistencia al cliente.

**▲ ADVERTENCIA** Cuando se usen herramientas, siempre se deberán seguir precauciones básicas, incluyendo las siguientes:

### PROPOSICIÓN 65 DE CALIFORNIA

**▲ ADVERTENCIA** Este producto o su cable de corriente pueden contener químicos, incluido plomo, que es conocido por el Estado de California como causante de cáncer y defectos de nacimiento u otros daños reproductivos. Lávese las manos después de manipularlo.

### GENERAL

- Para reducir el riesgo de choque eléctrico, incendio y lesiones personales, lea todas las instrucciones antes de usar la herramienta. Si no respeta las advertencias, los riesgos y las recomendaciones, eso podría resultar en la MUERTE o en LESIONES GRAVES.
- Familiarícese con los controles y el uso adecuado del equipo. Siga todas las instrucciones. Póngase en contacto con su representante Campbell Hausfeld si tiene alguna pregunta.
- Sólo se les debe permitir usar esta unidad a aquellas personas bien familiarizadas con estas reglas de manejo seguro.
- Cumpla con todos los códigos de seguridad así como también con la Ley de salud y seguridad ocupacional (OSHA).



### ÁREA DE TRABAJO

- Mantenga a todas las personas alejadas del área de funcionamiento.
- Mantenga el área de trabajo limpia y bien iluminada. Los bancos desordenados y las áreas oscuras aumentan el riesgo de choque eléctrico, incendio y lesiones personales.
- No haga funcionar la herramienta en entornos explosivos, como por ejemplo cuando haya polvo, líquidos o gases inflamables. La herramienta puede crear chispas y provocar la ignición de polvo o vapores.
- NUNCA rocíe líquidos inflamables ni use la lavadora a presión en áreas que contengan polvo, líquidos o vapores combustibles.
- Nunca ponga esta máquina en funcionamiento en un edificio cerrado o dentro o cerca de un entorno explosivo.



### SEGURIDAD PERSONAL

- Manténgase alerta. Mire lo que está haciendo y use el sentido común cuando haga funcionar la herramienta. No use la herramienta si está cansado o bajo la influencia de drogas, alcohol o medicamentos. Un momento de desatención mientras hace funcionar la herramienta aumenta el riesgo de lesiones personales.
- Vístase adecuadamente. No use alhajas ni vestimenta suelta. Sujétese el cabello largo. Mantenga el cabello, vestimenta y guantes alejados de las piezas móviles. La vestimenta suelta, las alhajas o el cabello largo aumentan el riesgo de lesiones personales como resultado de quedar atrapados en las piezas móviles.
- No intente alcanzar lugares alejados. Mantenga un buen soporte y equilibrio en todo momento. Un soporte y equilibrio adecuados permiten un mejor control de la herramienta en situaciones inesperadas.



**▲ ADVERTENCIA** Riesgo de inyección o lesiones graves. Manténgase alejado de la boquilla. No descargue chorros hacia las personas.

Este producto está diseñado para que lo usen únicamente operadores capacitados. Siempre retire la lanza de la pistola antes de limpiar los residuos de la boquilla.





**Importantes Instrucciones De Seguridad (Continuación)**

- d. Manténgase alejado de la boquilla. NUNCA dirija el rociado de alta presión a ninguna persona, animal ni a usted mismo.
- e. NUNCA coloque la mano ni los dedos sobre la boquilla de rociado mientras opera la unidad.
- f. NUNCA intente detener ni desviar las pérdidas con partes de su cuerpo.

**⚠ ADVERTENCIA**

*Asegurarse de que la herramienta se use únicamente cuando el operador y todo el resto del personal en el área de trabajo estén usando equipo de protección ocular ANSI Z87, y cuando sea necesario, demás equipo de protección adecuado como para la protección de la cabeza, protección auditiva, guantes, botas de goma, ropa de protección al operar el equipo y realizar el mantenimiento. Pueden ocasionarse lesiones graves o permanentes de ojos y oídos.*

**USO Y CUIDADO DE LA HERRAMIENTA****⚠ ADVERTENCIA**

*No ejerza presión que exceda la presión de funcionamiento de cualquiera de las piezas (mangueras, accesorios, etc.) en el sistema presurizado. Asegúrese de que todo el equipo y los accesorios estén clasificados para soportar la máxima presión de funcionamiento de la unidad.*

**⚠ ADVERTENCIA**

*Peligro de explosión.*

- a. Cuide su herramienta. Una herramienta mantenida adecuadamente reduce el riesgo de problemas y es más fácil de controlar.
- b. Asegúrese de que los dispositivos de seguridad estén funcionando correctamente antes de cada uso. NO quite ni modifique ninguna pieza de la pistola o la unidad.
- c. NUNCA ponga la máquina en funcionamiento sin que los componentes estén debidamente conectados a la máquina (mango, pistola/ensamble de la varilla, boquilla, etc.).
- d. Aprenda cómo detener este producto y liberar la presión rápidamente. Familiarícese bien con los controles.
- e. SIEMPRE enganche el pasador de seguridad del gatillo en la posición segura cuando detiene el rociado, aunque sea solamente por algunos minutos.
- f. NUNCA enganche el mecanismo del gatillo en forma permanente en la pistola.
- g. SIEMPRE siga las recomendaciones que se encuentran en la etiqueta del fabricante para el uso adecuado de detergentes. Siempre protéjase los ojos, la piel y las vías respiratorias del uso de detergentes.
- h. NUNCA desconecte la manguera de descarga de alta presión de la máquina mientras el sistema esté presurizado. Para despresurizar la máquina, apague la corriente eléctrica y el suministro de agua, luego presione el gatillo de la pistola 2 ó 3 veces.
- i. No quite la tapa del tanque de combustible mientras el motor esté caliente o funcionando (deje que el motor se enfríe un par de minutos antes de añadir combustible). Llene siempre lentamente el tanque de combustible.
- j. Siga las instrucciones de mantenimiento que se especifican en el manual.

**AVISO**

*Daño al equipo:*

- k. SIEMPRE encienda el suministro de agua antes de encender la lavadora a presión. **El poner la bomba seca en funcionamiento provoca graves daños.**
- l. No ponga en funcionamiento la lavadora a presión si se ha quitado la rejilla de la entrada de agua. Mantenga la rejilla libre de residuos y sedimentos.
- m. NUNCA opere la lavadora a presión si tiene piezas rotas o si le faltan piezas. Verifique el equipo periódicamente y repare o reemplace las piezas desgastadas o dañadas inmediatamente.
- n. Use sólo la boquilla que se proporciona con esta máquina.
- o. NUNCA deje la varilla de pulverización sin supervisión mientras la máquina está en funcionamiento.
- p. SIEMPRE sostenga la pistola y la varilla de pulverización con firmeza cuando encienda y opere la máquina.
- q. NUNCA permita que la unidad funcione durante más de un (1) minuto sin apretar el gatillo (desactivado). La acumulación de calor producida dañará la bomba.
- r. NUNCA guarde la lavadora a presión a la intemperie o donde pudiera congelarse. Las temperaturas de congelación pueden dañar seriamente la bomba.
- s. NUNCA deje la varilla de pulverización sin supervisión mientras la máquina está en funcionamiento.

**SERVICIO**

- a. **Al realizarle un servicio a la herramienta, utilice únicamente piezas de repuesto idénticas. Use sólo piezas autorizadas.**

**GUARDE ESTAS INSTRUCCIONES – NO LAS DESECHE**

**NOTA:** Los símbolos de PELIGRO, ADVERTENCIA, PRECAUCIÓN, y AVISO y las instrucciones en este manual no pueden posiblemente cubrir todas las condiciones y situaciones posibles que puedan presentarse. El usuario debe entender que las precauciones y el sentido común son factores que no pueden incorporarse en este producto: es el usuario mismo quien debe contribuirlos.

## Preguntas Frecuentes

### ***Para encender la lavadora a presión***

1. Asegúrese de que el motor tenga gasolina y aceite. **El motor se entrega sin aceite.**
2. Abra el pase de agua, luego presione el gatillo de la pistola para asegurarse de que el agua fluya con facilidad desde la boquilla.
3. Mueva la toma de aire completamente a la izquierda. Coloque la palanca de la válvula de combustible completamente a la derecha, en la posición "ON" (abierto).
4. Hale el gatillo (para aliviar toda retropresión de la bomba) mientras hala del cordón de arranque.

### ***¿Qué tipo de aceite debo usar?***

Motor: El motor **SE ENTREGA SIN ACEITE**. Vea la página 15 para los tipos y cantidades de aceite.

Bomba: La bomba se entrega con la cantidad correcta de aceite. Refiérase a las páginas 15 de este manual para las instrucciones del cambio de aceite, los tipos y cantidades de aceite.

### ***¿Por qué el agua no tiene ninguna presión?***

- ¿La manguera de agua está conectada a la lavadora a presión?
- ¿Está abierta el agua?
- Verifique que no haya codos o obstrucciones en las mangueras, los acoples o en la boquilla.
- ¿Está en su lugar la boquilla de conexión rápida? (Vea la página 10).
- ¿La rejilla interna del filtro está libre de residuos? Verifique y quite los residuos si es necesario.

### ***¿Cómo puedo lograr alta presión?***

- Use cualquier boquilla de color menos la negra. La boquilla negra se usa sólo para la aplicación de detergente a baja presión.

### ***¿Cómo puedo activar la succión de jabón?***

1. Conecte el tubo transparente de succión de productos químicos al conector plástico dentado de la bomba para la manguera, introduzca el otro extremo en el detergente.
2. Instale la boquilla de pulverización negra para aplicar detergente a baja presión.

### ***¿Por qué la lavadora a presión no aplica el jabón a alta presión?***

Los detergentes "resbalan" de las superficies de limpieza tan pronto como se apliquen. Las características de la lavadora a presión permiten que el detergente se succione sólo en el modo de presión baja. Aplicando el detergente en baja presión, se reduce el efecto de "resbalamiento". Además, los detergentes son eficaces cuando se permite un tiempo de contacto para que trabajen en la superficie de lo que se quiera limpiar. Después de aplicar el detergente, deje que trabaje de 1 a 3 minutos, y luego proceda a enjuagar la superficie con alta presión.

### ***¿Qué mantenimiento debo darle a mi lavadora a presión?***

1. Después de apagar la lavadora a presión y el agua, alivie la presión de la manguera halando el gatillo de la pistola.
2. Desconecte la manguera de jardín y la manguera de alta presión de la bomba.
3. Hale lentamente del cordón de arranque cinco veces para sacar el agua de la bomba. Esto ayuda a proteger la bomba de posibles daños.
4. No almacene su lavadora a presión en un lugar donde la temperatura puede bajar por debajo de 32°F (0°C).
5. Siga las instrucciones para el almacenamiento y preparación invernal adecuados, en página 14.

### ***¿Qué hago si me falta una pieza?***

Llame a Campbell Hausfeld al 1-800-330-0712 y reemplazaremos inmediatamente sus piezas faltantes durante los primeros 90 días posteriores a su compra.

**¡NO DEVUELVA LA LAVADORA A PRESIÓN AL COMERCIANTE!**

### ***¿Dónde puedo comprar accesorios para mi lavadora a presión?***

- Si no puede conseguir accesorios en el almacén donde ha comprado su lavadora a presión, llame a Campbell Hausfeld al 1-800-330-0712 o visite nuestro sitio web: [www.chpower.com](http://www.chpower.com).

### ***¿A quién llamo si tengo preguntas o problemas?***

**Llame a Campbell Hausfeld al 1-800-330-0712 (U.S.A.)**

**Desempaque**

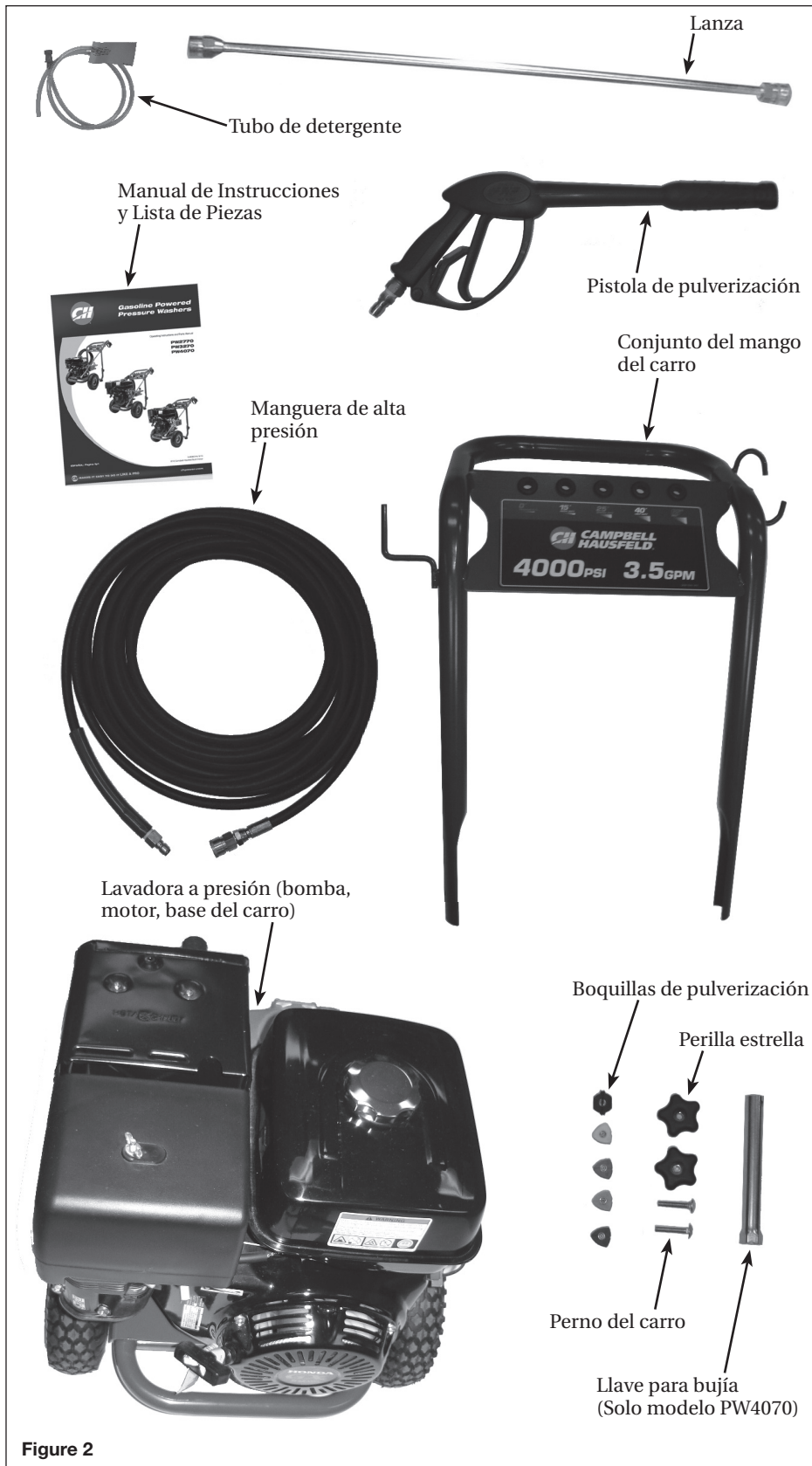


Figure 2

**CONTENIDO DE LA CAJA**

- ◆ Una lavadora a presión (bomba, motor, base del carro)
- ◆ Un conjunto del mango del carro
- ◆ Una pistola de pulverización y una lanza de conexión rápida
- ◆ Cinco boquillas de pulverización
- ◆ Una manguera de alta presión
- ◆ Un paquete con tuercas, pernos y manuales

**ARTÍCULOS ADICIONALES NO INCLUIDOS**

- ◆ Protección para los ojos ANSI Z87
- ◆ Manguera de jardín

Después de desempacar la unidad, inspecciónela detenidamente para detectar cualquier daño que pueda haber ocurrido durante su traslado. Verifique que no haya piezas sueltas, faltantes ni dañadas. Cerciórese de apretar todas las conexiones, pernos, etc. antes de usar la lavadora a presión. Asegúrese de que todos los accesorios proporcionados vengan con la unidad. Si falta alguna de las piezas, **NO DEVUELVA LA UNIDAD AL VENDEDOR**. Busque el número de modelo de la unidad (ubicado en la etiqueta del número de serie en la estructura de la lavadora a presión) y llame 1-800-330-0712 para obtener piezas de repuesto.

**⚠ ADVERTENCIA** *No haga funcionar la unidad si se ha dañado durante el transporte, el manejo o el uso. Los daños podrían ocasionar una explosión y ocasionarle lesiones o daños a la propiedad.*

**Lea y Siga Todas Las Instrucciones  
Guarde estas instrucciones  
No las deseche**

## Glosario

Familiarícese con estos términos antes de poner la unidad en funcionamiento.

**CAVITACIÓN** - el impacto de miles de burbujas que colapsan rápidamente dentro de la bomba, corroyendo las superficies de metal y sellos. La cavitación es causada por la falta de agua en la entrada de la bomba.

**INYECTOR DE PRODUCTOS QUÍMICOS** - un inyector de productos químicos permite que se inyecten productos químicos o jabón en el flujo de agua, haciendo que la limpieza sea más rápida y simple que usando agua sola.

**SISTEMA DE INYECCIÓN DE DETERGENTE** - los detergentes de limpieza se introducen en la corriente de agua haciendo la limpieza más efectiva al permitir que los detergentes saturen las superficies sucias.

**GPM (GALONES POR MINUTO)** - más agua por minuto puede significar una limpieza más rápida, especialmente al lavar para quitar materiales como barro y asfalto.

**SALIDA DE ALTA PRESIÓN** - una conexión para manguera de alta presión.

**CP (CABALLO DE POTENCIA)** - una unidad de medida para el trabajo.

**BOQUILLA (BOQUILLAS PULVERIZADORAS DE CONEXIÓN RÁPIDA)** - la boquilla es la restricción en el extremo de la varilla que crea la presión. Las boquillas tienen diferentes patrones de pulverización que pueden afectar el ancho y la potencia de la pulverización. La boquilla de 40° (blanca) produce una pulverización plana de aproximadamente 40°. También existen una boquilla de 25° (verde) y la más popular, de 15° (amarilla). La boquilla de 0° (roja) debe ser utilizada con precaución, ya que puede cortar madera y causar daños.

**BAR (PSI) (LIBRAS POR PULGADA CUADRADA)** - unidades de medida de presión. Determinan cuánta presión se aplica directamente sobre la superficie que se limpia. La presión proporcionada por la lavadora a presión es directamente responsable de separar los desechos y la superficie que se limpia.

**LIBERACIÓN TÉRMICA** - una técnica usada para reducir la acumulación de agua con altas temperaturas dentro de una bomba de una lavadora a presión causada cuando se cierra el gatillo de pulverización. Este sistema evita el daño interno de la bomba haciendo circular de forma cíclica agua a través de la bomba cuando el agua alcanza una temperatura máxima. El agua caliente se descargará de la bomba al suelo.

**VÁLVULA DE DESCARGA** - un dispositivo usado para liberar la presión del agua dentro de la bomba cuando el flujo de pulverización está obstruido. Permite al motor continuar encendido cuando el operador suelta el gatillo de la pistola pulverizadora y deja de lavar. Desvía la presión, la cual se acumularía sin la válvula de descarga, llevando el agua desde el lado de salida de la bomba y la devuelve haciendo un bucle al lado de la entrada en un modo continuo de "derivación". La válvula de descarga devolverá el flujo del agua a la pistola pulverizadora cuando el operador presione el gatillo.

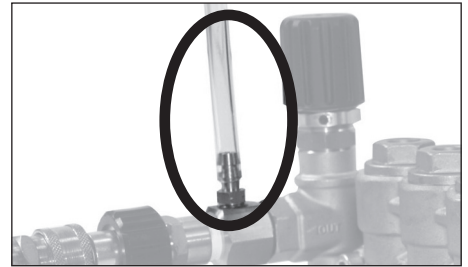


Figura 3 – Inyector de productos químicos

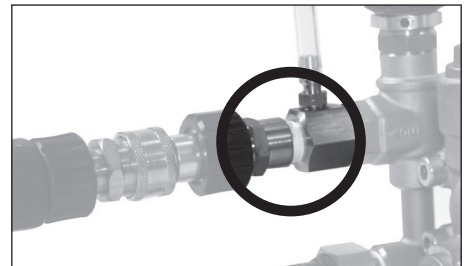


Figura 5 – Salida de alta presión



Figura 6 – Boquilla o boquillas de pulverización de conexión rápida

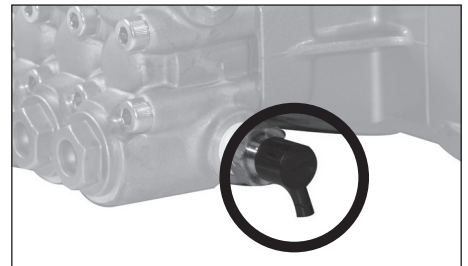
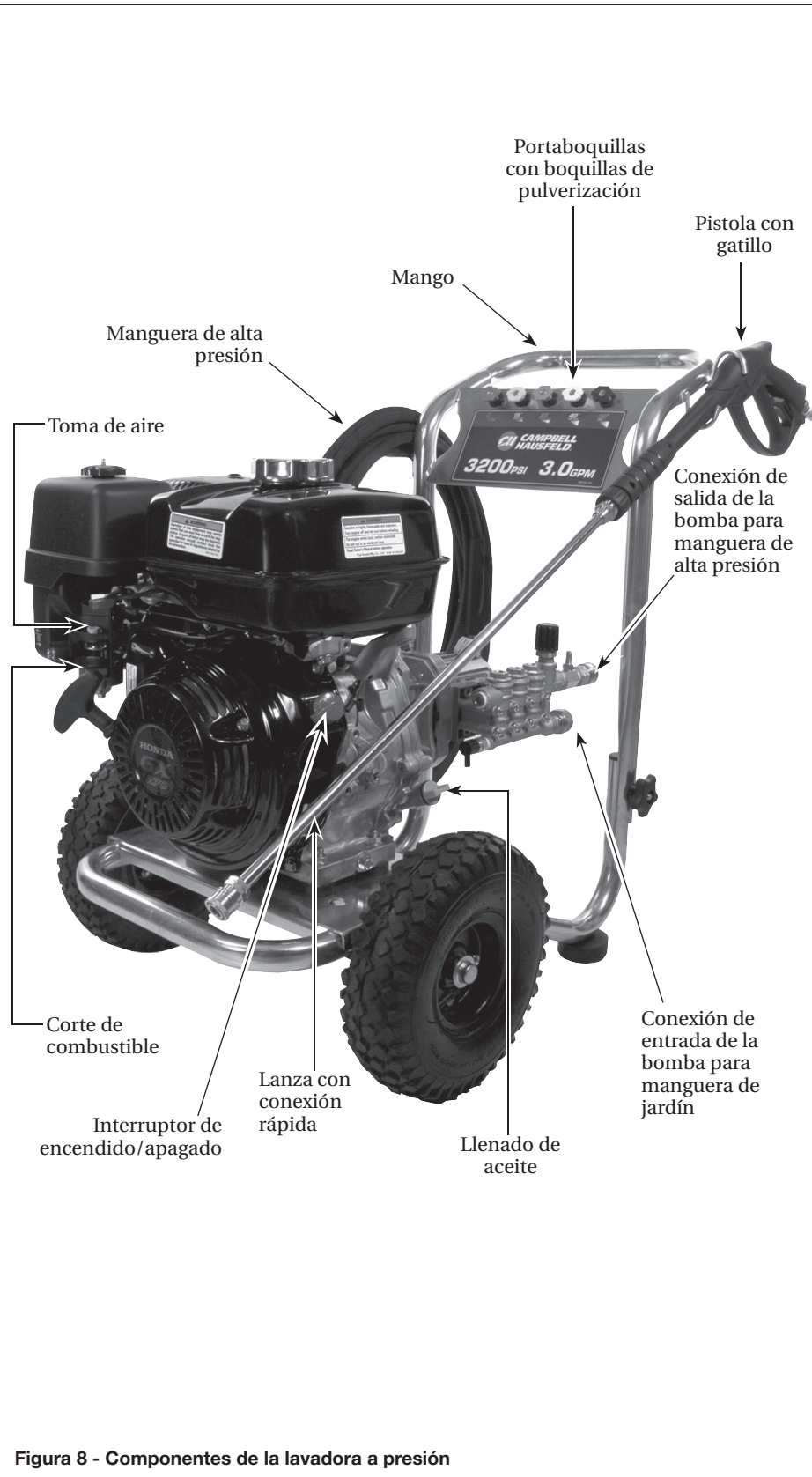


Figura 7 – Válvula de liberación térmica

Conozca su Lavadora a Presión



USOS RECOMENDADOS PARA ESTA LAVADORA A PRESIÓN

- ◆ Patio
- ◆ Terraza
- ◆ Revestimientos exteriores
- ◆ Ladrillos
- ◆ Hormigón
- ◆ Asfalto
- ◆ Metal
- ◆ Madera
- ◆ Vehículos
- ◆ Garajes/Talleres
- ◆ Exteriores de casas
- ◆ Exteriores de edificios

Figura 8 - Componentes de la lavadora a presión

## Ensamblaje y Antes del Funcionamiento

### ENSAMBLAJE Y ANTES DEL FUNCIONAMIENTO

1. Deslice el ensamblaje del mango sobre las patas inferiores de la base del carro. Use la perilla estrella (que se proporciona) y los pernos para asegurar el mango a las patas (Ver Figura 9).
2. Presione la manguera plástica para detergente sobre el conector dentado (Ver Figura 10).
3. Introduzca las boquillas de conexión rápida en los soportes de goma en la parte frontal del letrero (Ver Figura 11).
4. Asegure la manguera de jardín (no se incluye) a la conexión de entrada de la bomba (Ver Figura 12).
5. Conecte la manguera de alta presión a la salida de la bomba (Ver Figura 13).
6. Conecte la lanza a la pistola (Ver Figura 14).
7. Instale la boquilla de conexión rápida (Ver Figura 15).

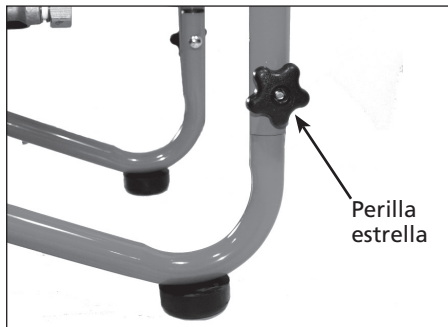


Figura 9 - Ensamblaje del mango



Figura 10 - Conecte el tubo de succión al conector dentado



Figura 11 - Inserte las boquillas de pulverización en el soporte

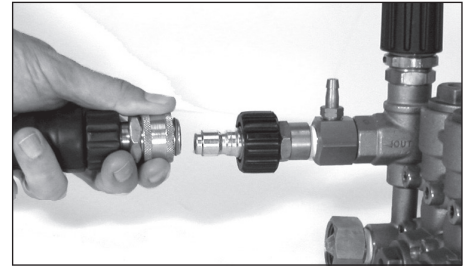


Figura 13 - Conecte la manguera de alta presión a la bomba

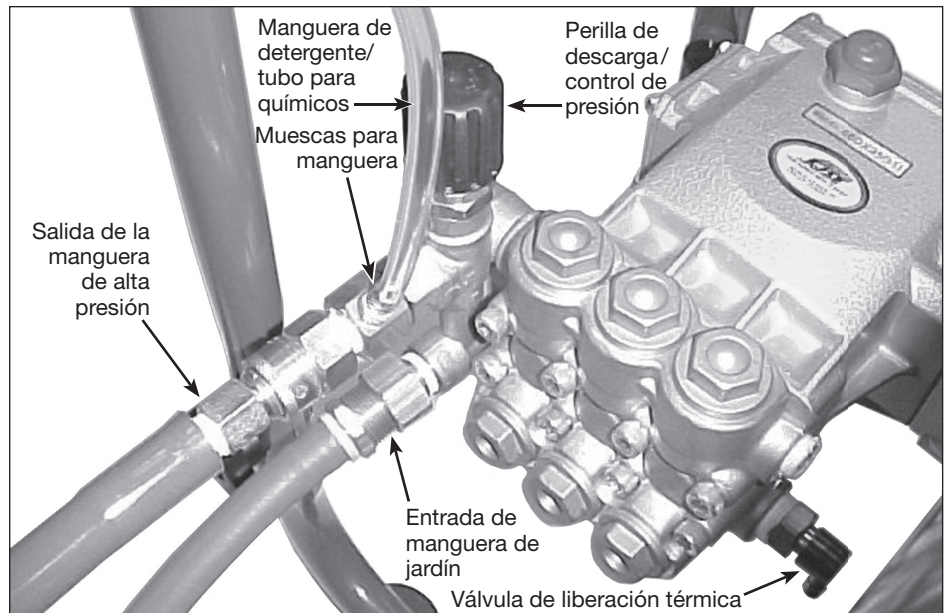


Figura 12 - Conexión de la bomba (Se muestra PW4070 - los demás modelos son similares)

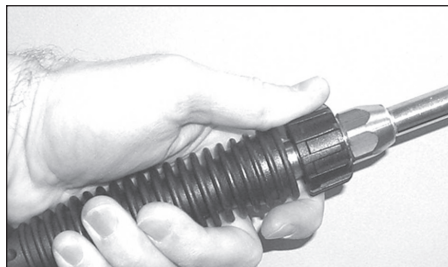


Figura 14 - Conecte la lanza a la pistola

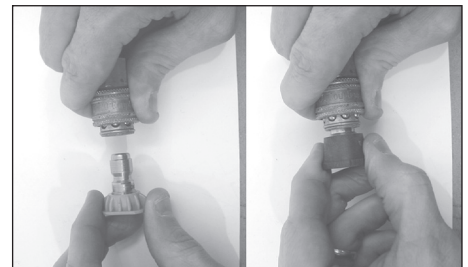


Figura 15 - Boquilla de conexión rápida

## Ensamblaje y Antes del Funcionamiento (Continuación)

### SEGURO DEL GATILLO

En la posición de trabado, el seguro evita que la pistola se dispare accidentalmente. Presione el seguro totalmente hacia abajo para destrabarlo (Ver Figura 16 y 17).

Siempre trabe el seguro del gatillo cuando la unidad no se está usando.



Figure 16 - Trigger locked



Figura 17 - Gatillo sin trabar

## Funcionamiento

### PREPARACIÓN DE SUPERFICIE

El siguiente procedimiento de limpieza le ayudará a organizar su tarea de limpieza y asegura que logrará el mejor resultado en la menor cantidad de tiempo. Recuerde usar las técnicas de rociado / limpieza que se mencionan en las secciones siguientes.

Antes de comenzar un trabajo de limpieza de lavado a presión, prepare la superficie que pretende limpiar. Despeje el mobiliario del área y asegúrese de que todas las ventanas y puertas estén bien cerradas. Además proteja todas las plantas y árboles próximos al área de limpieza cubriéndolos con una tela. Al cubrirlos se asegura que sus plantas no sean rociadas con los detergentes.

### ENCENDIDO

SIEMPRE use este procedimiento de encendido para asegurar que la unidad arranque apropiadamente y sin peligros.

#### AVISO

*Si el agua se ha congelado dentro de la lavadora a presión, descongele la lavadora en una habitación tibia antes de arrancar. NO vierta agua caliente sobre o dentro de la bomba; eso daña las partes al interior.*

1. Verifique los niveles de aceite del motor. Agregue aceite si es necesario.
2. Revise el nivel de combustible. Añada gasolina sin plomo (de 86 octanos o más) si necesario.

#### ⚠️ AVERTISSEMENT

*NO llene el tanque de combustible con el motor caliente. Añadir combustible con el motor caliente puede causar un incendio. Use sólo gasolina regular o sin plomo, limpia y reciente. Mientras añada combustible, cierre la válvula de cierre del combustible.*

3. Conecte una manguera de jardín a la entrada de la bomba, y conéctela al suministro de agua. Use una manguera con diámetro interno (I.D.) de 15,9 mm (5/8 inch) y 15 m (50 pies) o menos de largo.

#### AVISO

*Algunos códigos de plomería locales exigen una prevención del retroceso del flujo cuando se haga una conexión al suministro de agua. Instale un dispositivo que impida el retroceso del flujo antes de la bomba si fuera necesario.*

- a. Si la presión de agua en entrada supera las 100 psi, instale una válvula de regulación de agua en la conexión de la manguera de jardín.
- b. La temperatura del agua en entrada no debe exceder los 100°F (38°C).

**NOTA:** El suministro de agua de entrada debe tener una velocidad mínima de flujo de 19 lpm (5 gpm).

4. ABRA el suministro de agua.

#### AVISO

*No haga funcionar nunca la unidad en seco. Asegúrese de que el suministro de agua esté completamente abierto antes de hacer funcionar la unidad.*

5. AHale el gatillo de la pistola hasta que pulverice el agua de la boquilla indicando que todo el aire ha sido purgado del sistema. Trabe el seguro del gatillo.
6. Abra la válvula de cierre de combustible moviendo la palanca a la derecha en la posición "ON". Cierre la toma de aire (si el motor está frío) moviendo la palanca de la toma de aire totalmente a la izquierda. Mueva el obturador totalmente a la izquierda a la posición de "Run" o "Rabbit". Gire el interruptor de encendido/apagado (ON/OFF) en la posición de encendido (ON) (vea Figura 18).

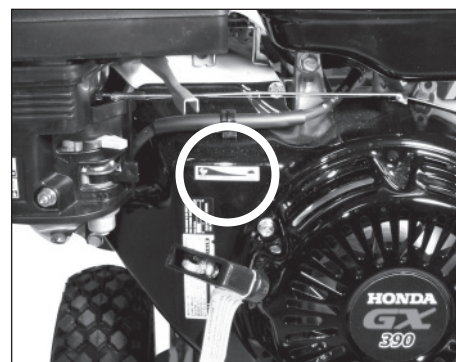


Figura 18 - Válvula reguladora

## Funcionamiento (Continuación)

- Arranque el motor: Destrahe el seguro del gatillo de la pistola. Agarre el cordón de arranque y coloque un pie en el marco. Mientras oprime el gatillo de la pistola, hale del cordón de arranque con rapidez y firmemente. Siga manteniendo el cordón mientras lo devuelve. Repita estos pasos hasta que el motor arranque.

**PRECAUCION** Cuando hale del cordón de arranque, asegúrese de que su mano y brazo no queden enredados con el motor o los componentes del carro.

### AVISO

No deje nunca que el condón de arranque se devuelva solo. El hacerlo así puede trabar el sistema de retroceso.

- Si el motor no arranca después de dos o tres jalones, o si el cordón es muy duro para halar, presione el gatillo de la pistola para aliviar la presión que se haya acumulado en la manguera de presión. Repita los pasos 7 y 8 hasta que el motor arranque.

### ENJUAGUE INICIAL DE ALTA PRESIÓN

Rocíe la superficie a limpiar con agua para quitar la suciedad o las manchas que puedan haberse acumulado sobre la superficie. Hacer esto permite que el detergente ataque la suciedad profunda que se ha introducido dentro de la superficie a limpiar.

Apriete el gatillo de la pistola entre 3 y 5 veces para eliminar cualquier resto de aire que haya quedado en el sistema.

### Ajuste de la Presión

Refiérase por favor al manual de su bomba CAT para los detalles específicos de ajuste de presión.

### Ajuste del Ángulo del Abanico de Rociado

Esta lavadora a presión incluye cinco boquillas de conexión rápida. Las boquillas tienen un rango de ángulos del abanico de rociado que va de 0°, angosto para gran impacto, a 65° para un abanico ancho.

La presión puede ajustarse también acercándose o alejándose de la superficie a limpiar y cambiando el ángulo del abanico de rociado como se muestra.

### Ángulo con la Superficie a Limpieza

Cuando pulverice agua contra una superficie, puede generar el mayor impacto golpeando derecho sobre la superficie. Sin embargo, este tipo de impacto puede causar que las partículas de suciedad queden incrustadas en la superficie previniendo la acción limpiadora deseada.

El ángulo mejor para pulverizar agua contra una superficie de limpieza es de 45 grados. Pulverice agua contra una superficie a 45 grados para lograr la fuerza de impacto más eficiente y quitar la suciedad eficazmente (vea Figura 21).

### Distancia de la Superficie a Limpiar

La distancia entra la superficie y la boquilla de pulverización es otro factor que afecta la fuerza de impacto del agua. La fuerza de impacto del agua aumenta al acercar la boquilla a la superficie.

### Cómo Evitar el daño a las Superficies

El daño a las superficies de limpieza ocurre porque la fuerza de impacto del agua supera la durabilidad de la superficie. Puede variar la fuerza de impacto variando el ángulo de la boquilla de pulverización con la superficie de limpieza, la distancia de la superficie, y cambiando la boquilla. NUNCA utilice un chorro angosto de alto impacto sobre una superficie propensa a ser dañada. Evite rociar las ventanas con un chorro angosto de alto impacto. Hacer esto puede quebrar la ventana. La forma más segura de evitar dañar las superficies es seguir estos pasos:

- Antes de halar el gatillo de la pistola, asegúrese de que la boquilla que está usando es apropiada para el uso.
- Coloque la boquilla aproximadamente a 4-5 pies (1,22 – 1,52 m) de distancia de la superficie de limpieza. Luego sostenga la boquilla en un ángulo de 45 grados con respecto a la superficie de limpieza. Hale el gatillo.

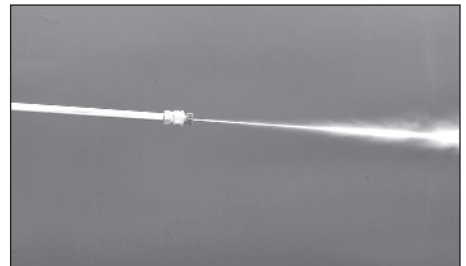


Figura 19 - Chorro angosto de alto impacto

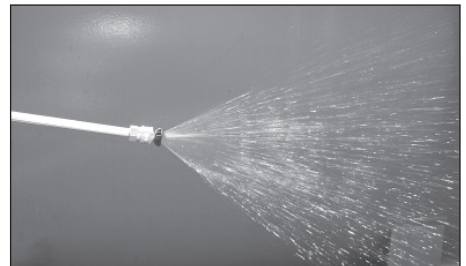


Figura 20 - Patrón de abanico amplio



Figura 21 - Angle optimum par rapport à la surface à nettoyer



## Funcionamiento (Continuación)

- Varíe el ángulo de rociado del patrón en abanico y la distancia a la superficie de limpieza hasta lograr una óptima eficiencia de limpieza sin dañar la superficie.

### APLICACIÓN DE DETERGENTE

**NOTA:** Use sólo detergentes formulados para lavadora a presión. Pruebe el detergente en un área poco aparente antes de usarlo.

#### Detergentes

El uso de detergentes puede reducir en gran forma el tiempo de limpieza y puede ayudar a quitar las manchas difíciles. Muchos detergentes están diseñados para ser usados con lavadoras a presión en tareas de limpieza específicas. Los detergentes para lavadoras a presión son igual de espesos que el agua. Si se utilizan detergentes más espesos, como por ejemplo detergentes para lavar vajilla, obstruirán el sistema de inyección de productos químicos y evitarán la aplicación de detergentes.

Una vez aplicados a la superficie a limpiar, los detergentes toman un tiempo para ejercer una acción sobre la suciedad y las manchas. Los detergentes funcionan mejor cuando se aplican a baja presión.

Usted puede limpiar superficies de un modo efectivo combinando la acción química de los detergentes junto con los enjuagues de alta presión. Sobre superficies verticales, aplique el detergente de abajo hacia arriba. Este método evita que el detergente se deslice y provoque marcas. Comience el enjuague con alta presión de abajo hacia arriba. En manchas particularmente difíciles, utilice un cepillo en combinación con los detergentes y el enjuague a alta presión.

- Siga las indicaciones del fabricante que aparecen en la etiqueta para utilizar las proporciones de mezcla correctas de los jabones/detergentes. La proporción de jabón/detergente con respecto al agua para la bomba es de aproximadamente 10% (1 a 10).
- Introduzca el extremo del filtro del tubo de detergente de plástico transparente dentro del recipiente de detergente.
- Use la boquilla de conexión rápida negra de 65°.

### Consejos generales de limpieza

- Aplique el detergente para que cubra totalmente la superficie a limpiar. Aplique el detergente de abajo hacia arriba para evitar que éste se deslice hacia abajo y deje marcas. Espere un par de minutos para que el detergente actúe sobre la suciedad y las manchas. Utilice un cepillo para cepillar levemente las áreas más sucias. Nunca permita que el detergente se seque sobre la superficie a limpiar.
- Para enjuagar: cambie la boquilla de pulverización negra de 65° por una boquilla de otro color.

**⚠ ADVERTENCIA** *Nunca reemplace la boquilla de conexión rápida cuando el gatillo de la pistola esté presionado. Siempre coloque el pasador del gatillo en la pistola antes de quitar o instalar boquillas de conexión rápida.*

- Después de usar detergentes, enjuague el sistema de succión colocando el tubo de succión de detergente dentro de un cubo de agua limpia y pulverice con la boquilla pulverizadora negra.

### PODER DE LIMPIEZA

La forma más fácil de regular el poder de limpieza de su lavadora a presión es cambiando la distancia a la superficie que está limpiando. Comience a rociar con un patrón de abanico amplio mientras se para a varios pies de la superficie. Acérquese lentamente al objeto que está limpiando, mientras ajusta el patrón de rociado según sea necesario, hasta que encuentre la técnica de limpieza más eficaz.

**NOTA:** la unidad también puede tener una perilla de ajuste de la presión en la bomba que puede ajustar la presión.

### ENJUAGUE FINAL

El enjuague final debe comenzar de abajo hacia arriba. Asegúrese de enjuagar totalmente la superficie y de quitar todo el detergente.

### PROCEDIMIENTO DE LIBERACIÓN DE PRESIÓN

Para reducir el riesgo de lesiones corporales o daño a la propiedad, siempre siga este procedimiento cuando detiene el rociado, cuando finaliza el trabajo y antes de revisar o reparar cualquier parte del sistema.

- Coloque el seguro del gatillo.
- Apague la unidad.
- Cierre el suministro de agua.
- Suelte el seguro del gatillo y apriete el gatillo de la pistola para liberar la presión.
- Vuelva a colocar el seguro del gatillo.
- Cuando verifique o repare la unidad, quite el cable de encendido de la bujía.
- Antes de guardar la unidad de un día para el otro, durante un largo tiempo o para transportarla, desconecte el suministro de agua.

### APAGADO

- Asegúrese de enjuagar todo el detergente del sistema.
- Apague el motor.
- Cierre el suministro de agua.
- Después de apagar el motor y cerrar el suministro de agua, apriete el gatillo para quitar la presión del sistema.

**AVISO** *NUNCA cierre el suministro de agua antes de apagar el motor. Pueden ocurrir daños graves a la bomba y/o al motor.*

**⚠ PRECAUCION** *Nunca desconecte la manguera de descarga de alta presión desde la máquina mientras el sistema está presurizado. Para despresurizar apague el motor, cierre el suministro de agua y presione el gatillo 2-3 veces.*

- Después de cada uso, limpie todas las superficies con un paño húmedo y limpio.

## Funcionamiento (Continuación)

### ALMACENAMIENTO

- Nunca vaya a guardar la lavadora a presión a la intemperie.
- No guarde la lavadora a presión en un lugar en el que pueda congelarse, a menos que haya sido preparada adecuadamente para el invierno.

### Instrucciones para el Almacenamiento a Largo Plazo (Más de 30 Días)

1. Retire el detergente del tanque y haga funcionar la lavadora en modo normal hasta que el motor pare por falta de combustible. El modo de funcionamiento normal significa pulverizar agua de la pistola mientras el motor está funcionando. Método alternativo – Añada un estabilizador de combustible a la gasolina en el tanque y haga funcionar el motor in modo normal por no menos de cinco minutos.
2. Apague el motor, cierre el suministro de agua y hale el gatillo para aliviar la presión en la manguera de alta presión.
3. Desconecte el suministro de agua y la manguera de alta presión de la bomba.
4. Deje que el motor se enfríe.
5. Desconecte el cable de la bujía y quite la bujía.
6. Vierta 1/2 oz. de aceite de motor en el orificio de la bujía.

**⚠ ADVERTENCIA** *Nunca hale del cordón de arranque después de haber quitado la bujía a menos de que haya cubierto el orificio de la bujía. La chispa puede encender el vapor del combustible.*

7. Coloque un trapo sobre el orificio de la bujía y hale lentamente y varias veces del cordón de arranque para distribuir el aceite.

### INSTRUCCIONES PARA LA PREPARACIÓN INVERNAL

1. Siga y complete las Instrucciones para el almacenamiento a largo plazo de arriba.
2. Desconecte el cable de la bujía.
3. Desconecte la manguera de alta presión de la bomba.
4. Inserte un tramo de manguera de alta presión de 30 a 35 cm (12 in. - 14 in.) en el orificio de entrada de la bomba.
5. Coloque un embudo en el otro extremo de la manguera de jardín.

**AVISO**

*Lea las instrucciones del fabricante para el manejo sin peligros del anticongelante RV.*

6. Vierta aproximadamente 6 oz. de anticongelante RV en el embudo.
7. Hale del cordón de arranque varias veces hasta que el anticongelante RV salga del orificio de salida de la bomba.
8. Desconecte la manguera de alta presión de la pistola y drene la manguera. Sostenga la pistola y la lanza en posición vertical y hale el gatillo para drenar el agua.

### SUGERENCIAS PARA EXTENDER LA VIDA ÚTIL DE SU LAVADORA A PRESIÓN

1. Nunca haga funcionar la unidad sin agua.
2. Su lavadora a presión no está diseñada para bombear agua caliente. Nunca la conecte a un suministro de agua caliente ya que reducirá en forma significativa la vida útil de la bomba.
3. Hacer funcionar la unidad por más de un minuto sin rociar el agua causa un recalentamiento de la bomba. Hacer funcionar la unidad sin rociar el agua puede dañar los componentes de la bomba.

## Mantenimiento

Observe los intervalos regulares del mantenimiento para asegurar la máxima eficiencia y vida útil de la lavadora a presión. Refiérase al programa para el mantenimiento recomendado. Si hace funcionar la lavadora a presión en un ambiente muy polvoroso, haga los controles del mantenimiento con más frecuencia.

### INSTRUCCIONES PARA EL CAMBIO DE ACEITE DEL MOTOR

**⚠ PRECAUCION** Antes de inclinar el motor o el aparato para drenar el aceite, drene el combustible del tanque de combustible.

**NOTA:** Cambie el aceite con el motor frío.

1. Desconecte de la bujía el cable de la bujía.
2. Localice y retire el tapón de drenaje de aceite del motor (vea la figura 15).
3. Drene el aceite viejo.
4. Vuelva a colocar el tapón de drenaje del aceite y ponga la unidad en posición derecha.
5. Vuelva a llenar la unidad con aceite nuevo del tipo y cantidad recomendados. Llene la unidad hasta el borde inferior del cuello de llenado del aceite.

### INSTRUCCIONES PARA VERIFICAR/CAMBIAR EL ACEITE DE LA BOMBA

Por más detalles, refiérase por favor a la página de las Especificaciones de la bomba AR proporcionadas con su Lavadora de Presión.

### PLANIFICACIÓN DEL MANTENIMIENTO

Planificación del mantenimiento	Acción necesaria
A diario	<ul style="list-style-type: none"> <li>• Verificar la rejilla y el filtro de la entrada de agua.</li> <li>• Verificar los niveles de aceite del motor. Llenar según sea necesario.</li> <li>• Verificar el nivel de gasolina. Llenar según sea necesario.</li> </ul>
Después de las primeras 5 horas de funcionamiento	<ul style="list-style-type: none"> <li>• Cambiar el aceite de ablande del motor. Use aceite detergente 10W-30. Vea su manual de usuario Honda para la información específica</li> </ul>
Cada 25 horas de funcionamiento	<ul style="list-style-type: none"> <li>• Cambiar el aceite si está funcionando con una carga pesada o a una temperatura ambiente elevada.</li> <li>• Limpiar o reemplazar el cartucho de papel del filtro de aire. Golpear suavemente para quitar la suciedad.</li> </ul>
Cada 50 horas de funcionamiento	<ul style="list-style-type: none"> <li>• Cambiar el aceite</li> <li>• Reemplazar la bujía.</li> </ul>
Cada 100 horas de funcionamiento o cada 3 meses	<ul style="list-style-type: none"> <li>• Reemplazar el cartucho de papel del filtro de aire.</li> <li>• Cambiar el aceite del motor.</li> </ul>

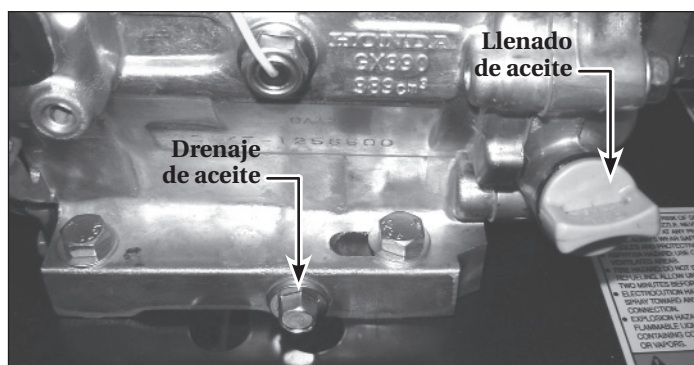


Figure 22 - Puntos de drenaje y llenado

### INFORMACIÓN TÉCNICA Y PARA EL CONSUMIDOR

Lavadoras a presión de orientación horizontal	
<b>Tipo de aceite para el motor</b>	SAE 10W-30
<b>Capacidad del aceite para el motor</b>	
Honda GX160	0,59 L (20 fl. oz.)
Honda GX270	1,00 L (37 fl. oz.)
Honda GX390	1,00 L (37 fl. oz.)
<b>Engine Fuel Capacity</b>	
Honda GX160	3,1 L (0,82 gal)
Honda GX270	5,3 L (1,4 gal)
Honda GX390	6,1 L (1,61 gal)*
<b>Tipo de aceite para la bomba</b>	Aceite para bomba CAT
<b>Succión de detergente de la bomba</b>	
Bombas CAT	
3DNX25	251 ml (8.5 fl. oz.)
3SPX30	300 ml (10.15 fl. oz.)
66DX35	532 ml (18 fl. oz.)
<b>Succión de detergente de la bomba</b>	
Relación agua/detergente	10 a 1 (10% de detergente)
<b>Requisitos del suministro de agua</b>	
Presión mínima en entrada	1,38 bar
Presión máxima en entrada	6,90 bar
Temperatura máxima en entrada	37°C (100°F)
Caudal mínimo en entrada	19 L/min (5 gpm)
Tamaño de la manguera de jardín en entrada	D.I. 16 mm - 5/8 in.
Largo máximo de la manguera de jardín en entrada	15 m (50 pies)

## Tabla de Identificación de Problemas

PROBLEMA	CAUSA	SOLUTION
La presión baja y/o la bomba funciona toscamente	1. Punta desgastada o del tamaño equivocado	1. Reemplácela con una punta del tamaño adecuado
	2. Filtro de entrada o bomba obstruida	2. Límpiela. Verifique con más frecuencia
	3. Sellos de agua desgastados, abrasivos en el agua, o desgaste natural	3. Revise el filtro. Cambie los sellos de agua. Consulte el centro de servicio
	4. Válvulas de descarga o de entrada sucias	4. Limpie los ensamblajes de las válvulas de entrada y descarga. Revise el filtro
	5. Entrada restringida	5. Revise la manguera de jardín, puede estar colapsada o plegada. Revise el flujo de entrada de agua
	6. Válvulas de descarga o de entrada desgastadas	6. Reemplace las válvulas desgastadas
	7. Manguera de alta presión con pérdidas	7. Reemplace la manguera de alta presión
	8. Bomba aspira aire	8. Asegúrese de que las mangueras y los accesorios estén ajustados
	9. Asiento de la válvula de descarga fallado o desgastado	9. Revíselo y reemplácelo
Pérdida de agua debajo del distribuidor	Sellos de agua desgastados	Instale nuevos sellos de agua. Consulte al centro de servicio CAT
Agua en el cárter de la bomba (aceite lechoso)	1. Aire húmedo se condensa dentro del cárter	1. Cambie el aceite como se especifica en el plan de mantenimiento
	2. Sellos de aceite con pérdidas	2. Instale nuevos sellos de aceite. Consulte al centro de servicio CAT
Fallas frecuentes o prematuras de los sellos de agua de la bomba	1. Émbolos rayados, dañados o desgastados	1. Instale émbolos nuevos. Consulte al centro de servicio CAT
	2. Material abrasivo en el fluido	2. Instale un filtrado adecuado en la tubería de entrada de la bomba
	3. Temperatura del agua de entrada demasiado alta	3. Verifique la temperatura del agua; no puede exceder los 38° C.
	4. La bomba presuriza demasiado	4. No modifique ningún valor de fábrica.
	5. Presión excesiva debido a una punta dañada o parcialmente obstruida	5. Limpie o reemplace la punta.
	6. La bomba funciona demasiado sin rociar	6. Nunca haga funcionar la bomba durante más de 1 minuto sin rociar
	7. La bomba funciona sin agua	7. No haga funcionar la bomba sin agua
Fuertes pulsaciones en la entrada y baja presión	Partículas extrañas en la válvula de entrada o de descarga o válvulas de entrada y/o de descarga desgastadas	Limpie o reemplace las válvulas. Consulte al centro de servicio CAT
Pérdidas de aceite entre el motor y la bomba	Anillo O y/o sellos de aceite desgastados	Reemplace el anillo O y/o los sellos de aceite. Consulte el centro de servicio
Presión fluctuante	1. Válvula desgastada, sucia o trabada	1. Revise y reemplace
	2. La bomba aspira aire	2. Asegúrese de que las mangueras y los accesorios estén ajustados. Purgue el aire de la manguera de jardín
	3. Punta obstruida	3. Revise o reemplace

*Continúa en la página siguiente*

## Tabla de Identificación de Problemas

PROBLEMA	CAUSA	SOLUCIÓN
Disminuye la presión luego de un período de uso normal	1. Sellos de agua de la bomba desgastados	1. Revise y reemplace
	2. Boquilla desgastada	1. Revise y reemplace
	3. Válvula desgastada, sucia o atorada	3. Revise, limpie o reemplace
	4. Asiento de la válvula de descarga desgastado o sucio	3. Revise, limpie o reemplace
	5. Boquilla en la posición de presión baja	5. Tire la boquilla hacia atrás a la posición de alta presión
El motor no arranca o arranca con dificultad	1. No hay gasolina en el tanque de combustible o en el carburador	1. Llene el tanque de gasolina, abra la válvula de cierre del combustible. Revise la tubería del combustible y el carburador
	2. Bajo nivel de aceite	2. Verifique el nivel de aceite. Llene si fuese necesario
	3. Interruptor de arranque/apagado (Start/Stop) en posición de apagado	3. Mueva el interruptor a la posición de arranque (start)
	4. Agua en la gasolina o combustible viejo	4. Drene el tanque de combustible y el carburador. Use combustible nuevo y una bujía seca
	5. Filtro de aire sucio	5. Quite y limpie o reemplace
	6. Bujía sucia, luz de electrodos equivocada, o tipo equivocado	6. Limpie, ajuste la luz, o reemplace
	7. Pistola de pulverización cerrada	7. Hale el gatillo de la pistola
	8. Otras causas	8. Consulte el manual del propietario del motor.
El motor pierde o no tiene fuerza	1. Filtro de aire parcialmente atorado	1. Quite y limpie o reemplace
	2. Bujía sucia, luz de electrodos equivocada o tipo equivocado	2. Limpie, ajuste la luz o reemplace
Bomba ruidosa / la bomba funciona toscamente	1. Bomba aspira aire/bajo suministro de agua	1. Asegúrese de que las juntas están ajustadas. Aumente la presión de agua
	2. Válvulas sucias o desgastadas	2. Revise, limpie o reemplace
	3. Juntas desgastadas	3. Revise y reemplace
	4. Agua demasiado caliente	4. Reduzca la temperatura por debajo de 38° C
No succiona detergente	1. La boquilla no se empujó hacia arriba lo suficiente	1. Empuje la boquilla hasta el tope.
	2. Hay una obstrucción, pliegue o perforación en la manguera de succión de detergente	2. Si está limpia, elimine los pliegues o cambie la manguera.
	3. La manguera es demasiado larga	3. Utilice únicamente el largo de manguera que se proporcionó con la compra inicial de la lavadora a presión. La succión del detergente no funciona si se conecta más de una sección de manguera a la unidad.
	4. La lanza no está funcionando adecuadamente	4. Quite la lanza de la pistola. Si se pasa detergente a través de la pistola, la lanza se debe reemplazar. Si no pasa detergente a través de la pistola, quite 1 pulg. del conector de detergente ahusado de la bomba. Limpie el conector, y asegúrese de que la bola y el resorte estén alineados adecuadamente con la porción ahusada del resorte que está frente a la bola. La bola debe estar encima del resorte.

**Para Ordenar Repuestos o Asistencia Técnica, Sírvase Llamar al Distribuidor Más Cercano a Su Domicilio**

*Sírvase proporcionar la siguiente información:*

- Número de modelo
- Número de serie (si tiene)
- Descripción y número de la pieza como se muestra en la lista de repuestos

*Dirija toda la correspondencia a:*

Campbell Hausfeld  
Attn: Customer Service  
100 Production Drive  
Harrison, OH 45030 U.S.A.

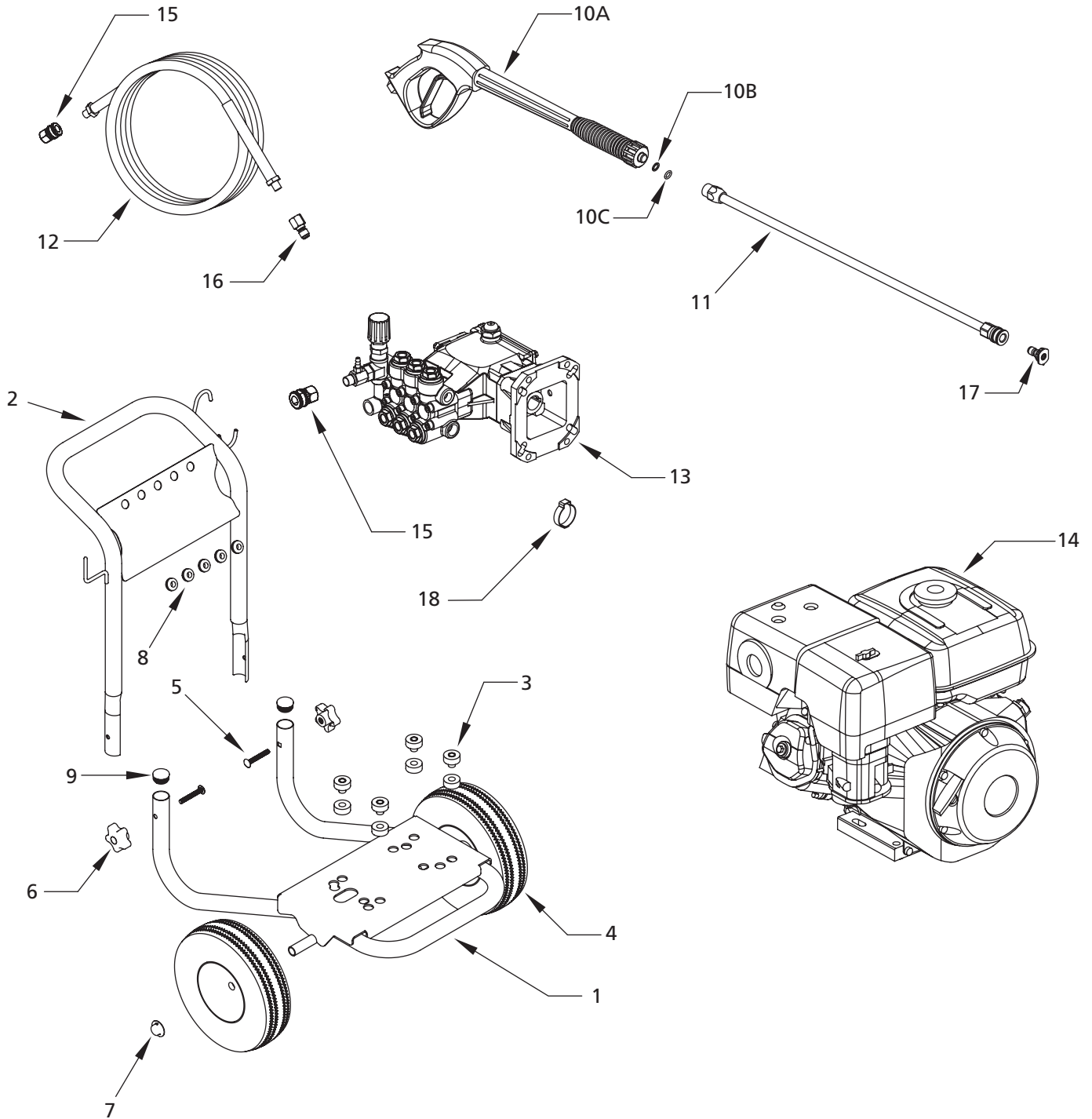


Figura 24 – Ilustración de las piezas de repuesto

## Lista de Piezas de Repuesto

No. de Ref.	Descripción	PW2770	PW3270	PW4070	Ctd.
1	Ensamble del marco	PM350249SJ	PM350249SJ	PM350249SJ	1
2	Ensamble del mango	PM350250SJ	PM350250SJ	PM350250SJ	1
3	Ensamble del montaje ISO	PM344772SJ	PM344772SJ	PM344772SJ	4 por juego
4	Rueda neumática	WA005621AV	WA005621AV	WA005621AV	2
5	Perno del carro	PM344774SJ	PM344774SJ	PM344774SJ	2 por juego
6	Perilla estrella	PM344773SJ	PM344773SJ	PM344773SJ	2 por juego
7	Contratuercas	PM344775SJ	PM344775SJ	PM344775SJ	2 por juego
8	Ojal de goma	MJ110200AV	MJ110200AV	MJ110200AV	5
9	Tapón	MJ106802AV	MJ106802AV	MJ106802AV	2
10A	Pistola	PM005133AV	PM005133AV	PM005133AV	1
10B	Anillo-O de pistola	PM345402SV	PM345402SV	PM345402SV	2
10C	Anillo-O de respaldo para pistola	PM232211SV	PM232211SV	PM232211SV	1
11	Lanza	PM035120AV	PM035120AV	PM035120AV	1
12	Manguera de alta presión	PM005010AV	PM005012AV	PM005012AV	1
13	Ensamble de la bomba	PM347000SJ	PM347100SJ	PM350251SJ	1
14	Motor	★	★	★	1
15	Casquillo – Conexión rápida			PM068070AV	2
16	Tapón – Conexión rápida			PM068066AV	1
17	Boquillas de conexión rápida - <i>Tamaño del orificio</i>	#3.00	#3.50	#3.50	
	0 (rojo)	PM039870AV	PM039700AV	PM039700AV	1
	15 (amarillo)	PM039880AV	PM039710AV	PM039710AV	1
	25 (verde)	PM039890AV	PM039720AV	PM039720AV	1
	40 (blanco)	PM039900AV	PM039730AV	PM039730AV	1
	Detergente (negro)	PM039820AV	PM039820AV	PM039820AV	1
18	Abrazadera de manguera de 2,54 cm (1 inch)	*	*	*	1
*	Artículo estándar de ferretería - disponible en su ferretería local				
★	Para mantenimiento del motor o repuestos, llame a Honda al 1-800-426-7701				

**Recordatorio:** ¡Guarde su comprobante de compra con fecha para fines de la garantía! Adjúntela a este manual o archívela en lugar seguro.

---

## Garantía Limitada

1. Duración: De la fecha de compra por el comprador original y de acuerdo a las siguientes clasificaciones: Tres (3) años la unidad lavadora a presión, 2 (dos) años la bomba y el motor, y 90 días para los artículos con desgaste normal.
2. QUIEN otorga DA ÉSTA GARANTÍA (EL GARANTE): Campbell Hausfeld / Scott Fetzer Company, 100 Production Drive, Harrison, OH 45030, Teléfono: (800) 330-0712.
3. QUIEN RECIBE ÉSTA GARANTÍA (EL COMPRADOR): El comprador original (que no sea revendedor) de la Lavadora de Presión Campbell Hausfeld.
4. PRODUCTOS CUBIERTOS POR ESTA GARANTÍA: Esta lavadora de presión Campbell Hausfeld.
5. LO QUÉ ÉSTA CUBIERTO POR ESTA GARANTÍA: Los defectos de material y/o de manufactura que ocurran dentro del periodo de garantía con las excepciones anotadas abajo.
6. LO QUÉ NO ÉSTA CUBIERTO POR ESTA GARANTÍA:
  - A. Las garantías implícitas, incluyendo las garantías de comercialización y adecuación para un fin particular, son limitadas a partir de la fecha de compra como se indica en el parrafo DURACIÓN. Si ésta lavadora de presión es usada para trabajos comerciales, industriales o para renta, la garantía aplicada es de (90) días a partir de la fecha de compra. En algunos estados no se permiten limitaciones a la duración de las garantías, en tal caso esta limitacion no es aplicable.
  - B. CUALQUIER PERDIDA, DANO INCIDENTAL INDIRECTO O CONSECUENTE QUE PUEDE RESULTAR DE UN DEFECTO, FALLA, O MALFUNCIONAMIENTO DE LA LAVADORA DE PRESIÓN CAMPBELL HAUSFELD. En algunos estados no se permiten la exclusión o limitación de daños incidentales o consecuentes y en tal caso esta limitacion o exclusión no es aplicable.
  - C. Cualquier falla que resulte por daños en la transportación, accidente, abuso, negligencia o incumplimiento de las instrucciones de funcionamiento e instalacion indicadas en el manual suministrado con el producto.
  - D. El servicio al producto antes de la venta. Ejemplo ensamblaje, aceites o lubricantes, ajustes, etc.
  - E. Partes o ajustes requeridos normalmente en el mantenimiento de la lavadora de presión.
  - F. Partes adicionales no cubiertos en ésta garantía:
    1. Desgaste normal en partes tales como mangueras de alta presión, sellos de agua o aceite, anillos, válvulas y boquillas de spray.
    2. Defectos externos que no interfieren con su funcionamiento.
    3. Componentes oxidados.
    4. Desgaste de la bomba o daño de la válvula causado por uso de aceite inapropiado, contaminación del aceite o por no seguir adecuadamente las recomendaciones de mantenimiento.
  - G. El motor de gasolina y sus componentes están expresamente excluidos de ésta garantía limitada. Estos componentes deben de ser devueltos por el comprador al fabricante original o a su taller de reparación autorizado.
7. RESPONSABILIDADES DEL GARANTE BAJO ÉSTA GARANTÍA: Repare o reemplazar, como lo decida el garante, ya sea la lavadora de presión o alguna de sus partes que se encuentre defectuoso, no funcione adecuadamente y/o no cumpla de conformidad dentro del periodo de duración de la garantía.
8. RESPONSABILIDADES DEL COMPRADOR BAJO ESTA GARANTÍA:
  - A. Proporcionar prueba de la fecha de compra y registros de mantenimiento.
  - B. Entregar o enviar la lavadora de presión o su componente al centro de servicio autorizado Campbell Hausfeld más cercano. Los costos de embarque, si son aplicables, serán pagados por el comprador.
  - C. Ser cuidadoso con el funcionamiento y mantenimiento de la lavadora de presión de acuerdo al manual(s) del propietario.
9. CUANDO EFECTUARA EL GARANTE LA REPARACION O REEMPLAZO CUBIERTO POR ESTA GARANTÍA: La reparación o reemplazo del equipo tomara el tiempo normal y de acuerdo a la carga de trabajo en ese momento el el centro de servicio y de acuerdo a la disponibilidad de refacciones.

Esta garantía limitada es válida sólo en los EE.UU., Canadá y México y otorga derechos legales específicos. También usted podría tener otros derechos los cuales varían de estado a estado o de país a país.

---