

Please read and save these instructions. Read carefully before attempting to assemble, install, operate or maintain the product described. Protect yourself and others by observing all safety information. Failure to comply with instructions could result in personal injury and/or property damage! Retain instructions for future reference.



# Gasoline Powered Pressure Washer

REGISTER YOUR PRODUCT ONLINE NOW! <http://www.campbellhausfeld.com>



## Description

This consumer gasoline pressure washer is designed for small to medium projects. It is great for projects in maintenance shops, farms, homes or buildings, concrete drives/sidewalks and heavy equipment.

The cart is made of a durable steel construction, welded and powder-coated for longevity.

This pressure washer is proudly built in Kentucky with heavy-duty, reliable Honda engine.

## READ & FOLLOW ALL INSTRUCTIONS

**SAVE THESE INSTRUCTIONS  
DO NOT DISCARD**

## Safety Guidelines

This manual contains information that is very important to know and understand. This information is provided for SAFETY and to PREVENT EQUIPMENT PROBLEMS. To help recognize this information, observe the following symbols.

**⚠ DANGER** *Danger indicates an imminently hazardous situation which, if not avoided, WILL result in death or serious injury.*

**⚠ WARNING** *Warning indicates a potentially hazardous situation which, if not avoided, COULD result in death or serious injury.*

**⚠ CAUTION** *Caution indicates a potentially hazardous situation which, if not avoided, MAY result in minor or moderate injury.*

**NOTICE** *Notice indicates important information, that if not followed, may cause damage to equipment.*

Figure 1

## Specifications

Model	Honda Engine	Pump	Pressure	Flow	Nozzle
PW2570	GCV160	Wobble Axial Piston	2800 psi / 19,305 kPa	2.4 GPM	#2.5

Please record Model Number and Serial Number for use when contacting the manufacturer:

Model No.: \_\_\_\_\_

Serial No.: \_\_\_\_\_

Purchase Date: \_\_\_\_\_

Purchase Place: \_\_\_\_\_

For information about this product, call 1-800-330-0712.

**REMINDER: Keep your dated proof of purchase for warranty purposes!  
Attach it to this manual or file it for safekeeping.**

**READ AND FOLLOW ALL INSTRUCTIONS • SAVE THESE INSTRUCTIONS • DO NOT DISCARD**

## Safety Guidelines (Continued)

**NOTE:** Note means any additional information pertaining to the product or its proper usage.

### General Safety Information

#### INSTRUCTIONS PERTAINING TO A RISK OF FIRE, ELECTRIC SHOCK, OR INJURY TO PERSONS

This manual contains important safety, operational and maintenance information. If you have any questions, please call 1-800-330-0712 for customer assistance.

**▲ WARNING** *When using tools, basic precautions should always be followed, including the following:*

#### CALIFORNIA PROPOSITION 65

**▲ WARNING** *This product or its power cord may contain chemicals, including lead, known to the State of California to cause cancer and birth defects or other reproductive harm. Wash hands after handling.*

#### GENERAL

- To reduce the risks of electric shock, fire, and injury to persons, read all the instructions before using the tool. Failure to follow warnings, dangers, and cautions could result in DEATH or SERIOUS INJURY.
- Be thoroughly familiar with the controls and the proper use of the equipment. Follow all instructions. Contact your Campbell Hausfeld representative if you have any questions.
- Only persons well acquainted with these rules of safe operation should be allowed to use the unit.
- Follow all safety codes as well as the Occupational Safety and Health Act (OSHA).



#### WORK AREA

- Keep operation area clear of all persons.
- To reduce the risk of injury, close supervision is necessary when the product is used near children.
- Do not operate the tool in explosive atmospheres, such as in the presence of flammable liquids, gases, or dust. The tool is able to create sparks resulting in the ignition of the dust or fumes.
- NEVER spray flammable liquids or use pressure washer in areas containing combustible dust, liquids, or vapors.
- Never operate this machine in a closed building or in or near an explosive environment.



#### PERSONAL SAFETY

- Stay alert. Watch what you are doing and use common sense when operating the tool. Do not use the tool while tired or under the influence of drugs, alcohol, or medication. A moment of inattention while operating the tool increases the risk of injury to persons.
- Dress properly. Do not wear loose clothing or jewelry. Contain long hair. Keep hair, clothing, and gloves away from moving parts. Loose clothes, jewelry, or long hair increases the risk of injury to persons as a result of being caught in moving parts.

- Do not overreach. Keep proper footing and balance at all times. Proper footing and balance enables better control of the tool in unexpected situations.

**▲ WARNING** *Risk of injection or severe injury. Keep clear of nozzle. Do not discharge streams at persons. This product is to be used only by trained operators. Always remove lance from gun before cleaning debris from nozzle.*

- Keep clear of nozzle. NEVER direct high pressure spray at a person, animal, or yourself.
- NEVER put hand or fingers over the spray nozzle while operating the unit.
- NEVER try to stop or deflect leaks with any body part.



**▲ WARNING** *Ensuring that the tool is used only when the operator and all other personnel in the work area are wearing ANSI Z87 eye protection equipment, and when required, other appropriate protection equipment such as head, hearing protection, gloves, rubber boots, protective clothing when operating and performing maintenance. Serious eye or permanent hearing loss could result.*

#### TOOL USE AND CARE

**▲ WARNING** *Do not use pressure that exceeds the operating pressure of any of the parts (hoses, fittings, etc.) in the pressurized system. Ensure all equipment and accessories are rated to withstand the maximum working pressure of the unit.*



- Maintain the tool with care. A properly maintained tool reduces the risk of problems and is easier to control.
- Ensure safety devices are operating properly before each use. DO NOT remove or modify any part of the gun or unit.
- NEVER operate the machine without all components properly connected to the machine (handle, gun/wand assembly, nozzle, etc.).
- Point gun in safe direction. Unit will start spraying when trigger is squeezed if "On/Off" switch is in "ON" position.
- Know how to stop this product and bleed pressure quickly. Be thoroughly familiar with the controls.
- ALWAYS engage the trigger safety latch in the safe position when spraying is stopped even if only for a few moments.
- NEVER permanently engage the trigger mechanism on the gun.
- ALWAYS follow detergent manufacturer's label recommendations for proper use of detergents. Always

## Safety Guidelines (Continued)

- protect eyes, skin, and respiratory system from detergent use.
- i. NEVER disconnect the high pressure discharge hose from the machine while the system is pressurized. To depressurize machine, turn power and water supply off, then press the gun trigger 2-3 times.
  - j. Unplug unit when not in use.
  - k. Follow the maintenance instructions specified in the manual.

**NOTICE*****Equipment damage:***

- l. ALWAYS turn water supply "ON" before turning pressure washer "ON." **Running pump dry causes serious damage.**
- m. Do not operate the pressure washer with the inlet water screen removed. Keep screen clear of debris and sediment.
- n. NEVER operate pressure washer with broken or missing parts. Check equipment regularly and repair or replace worn or damaged parts immediately.
- o. Use only the nozzles supplied with this machine.
- p. NEVER leave the wand unattended while the machine is running.
- q. ALWAYS hold gun and wand firmly when starting and operating the machine.
- r. NEVER allow the unit to run with the trigger released (off) for more than one minute. Resulting heat buildup will damage the pump.
- s. NEVER store the pressure washer outdoors or where it could freeze. Freezing temperatures can seriously damage the pump.

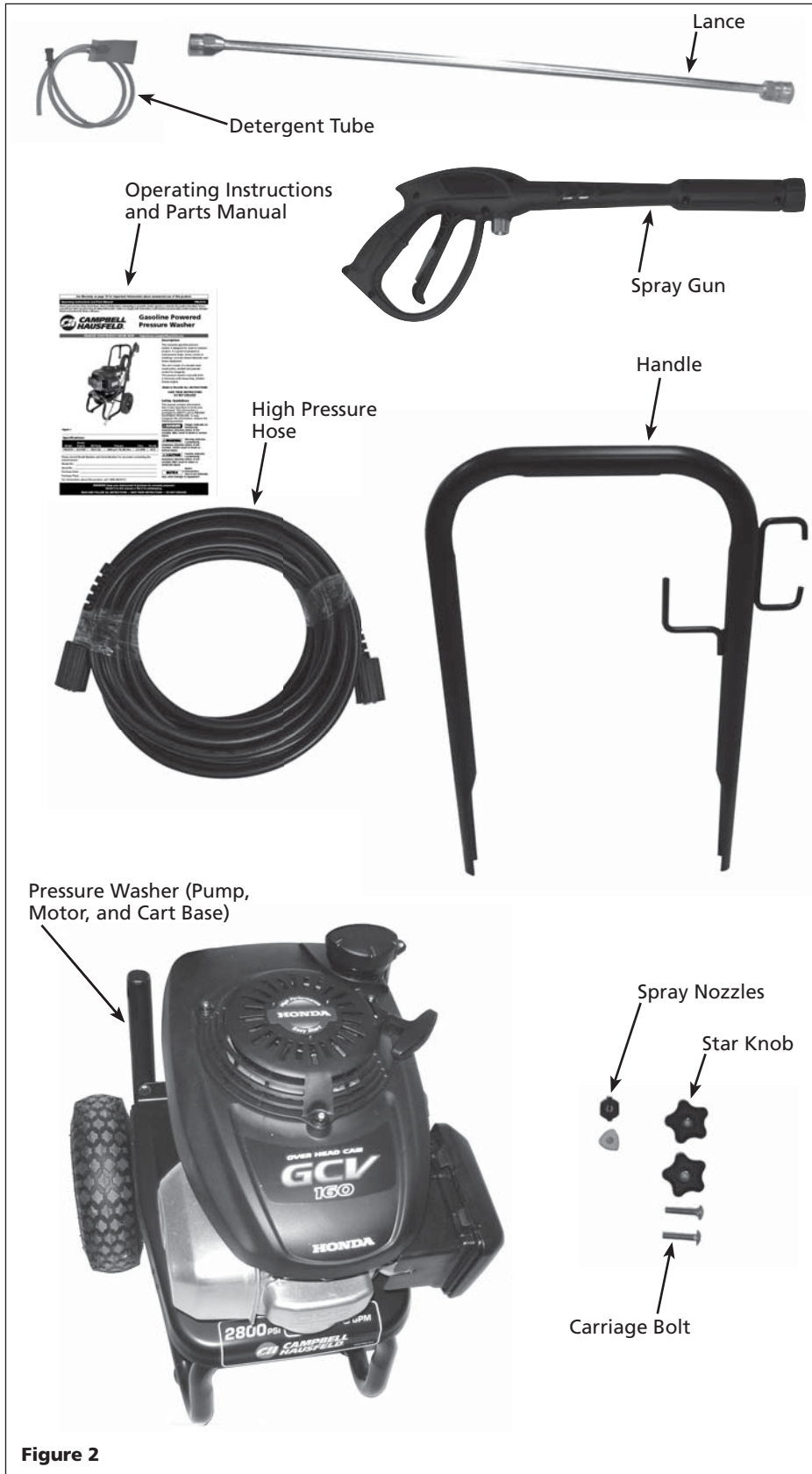
**SERVICE**

- a. **When servicing a tool, use only identical replacement parts. Use only authorized parts.**

The **DANGER, WARNING, CAUTION**, and **NOTICE** notifications and instructions in this manual cannot cover all possible conditions and situations that may occur. It must be understood by the operator that caution is a factor which cannot be built into this product, but must be supplied by the operator.

**SAVE THESE INSTRUCTIONS  
DO NOT DISCARD**

## Unpacking



After unpacking the unit, inspect carefully for any damage that may have occurred during transit. Check for loose, missing or damaged parts. Make sure to tighten fittings, bolts, etc., before using the pressure washer. Check to be sure all supplied accessories are enclosed with the unit. If any parts are missing, **DO NOT RETURN THE UNIT TO THE RETAILER**. Know the unit's model number (located on the serial number tag on the pressure washer frame) and call 1-800-330-0712 for replacement parts.

**⚠ WARNING** *Do not operate unit if damaged during shipping, handling or use. Damage may result in bursting and cause injury or property damage.*

### CONTENTS IN THE CARTON

- ◆ One pressure washer (pump, motor, and cart base)
- ◆ One cart handle assembly
- ◆ One spray gun and quick connect lance
- ◆ Two spray tips
- ◆ One high pressure hose
- ◆ One pack of nuts, bolts, and manuals

### ADDITIONAL ITEMS NOT INCLUDED

- ◆ ANSI Z87 Eye Protection
- ◆ Garden Hose

Figure 2

## Getting To Know Your Pressure Washer

### RECOMMENDED USES FOR THIS PRESSURE WASHER

- ◆ Deck
- ◆ Siding
- ◆ Vehicles
- ◆ Patio
- ◆ Brick
- ◆ Concrete
- ◆ Asphalt
- ◆ Metal
- ◆ Wood
- ◆ Garage/Shops
- ◆ Home exteriors
- ◆ Building exteriors

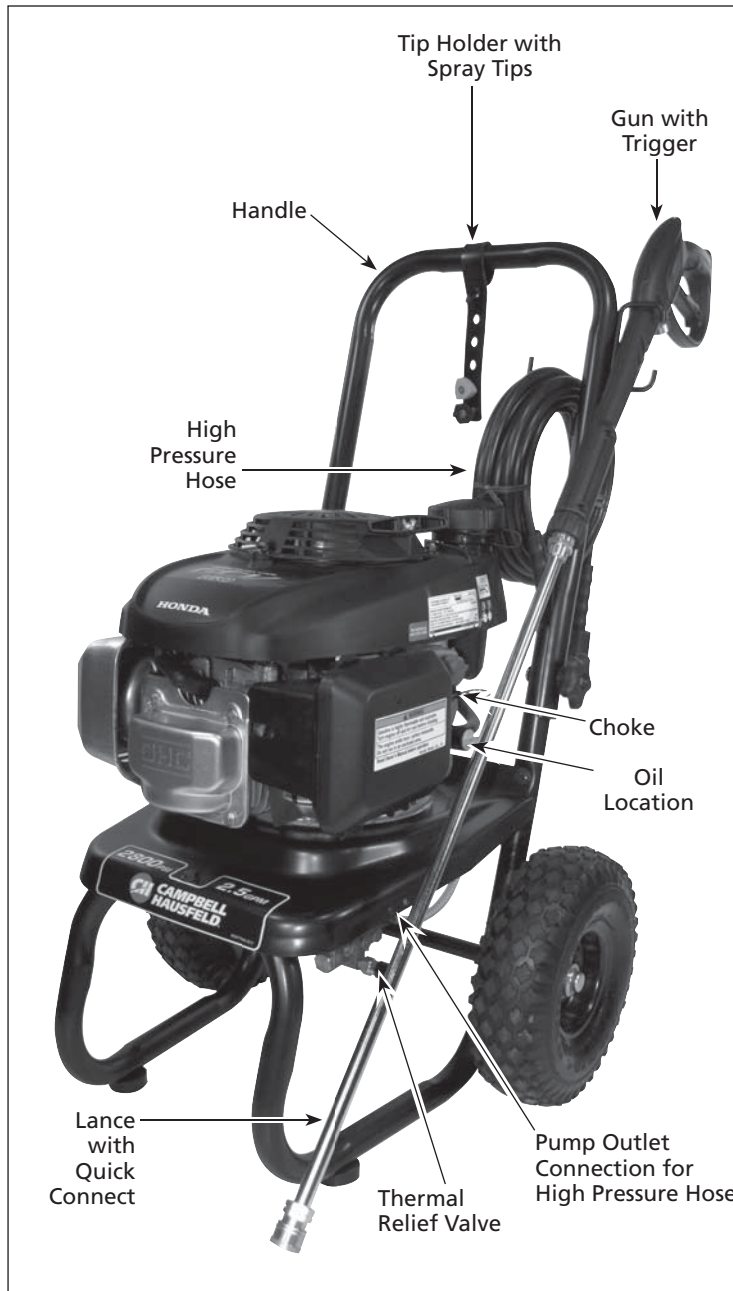


Figure 3 - Components of the Pressure Washer

## Glossary

Become familiar with these terms before operating the unit.

**GPM (GALLONS PER MINUTE)** - More water per minute can mean faster cleaning, especially when washing off materials like mud and road tar.

**GFCI (GROUND FAULT CURRENT INTERRUPTER)** - GFCI protects user from accidental electrocution (for electric powered pressure washers only).

## Assembly and Preoperation

### ASSEMBLY AND PREOPERATION

1. Slide the handle assembly over the lower legs of the cart base. Use the supplied nuts and bolts to secure the handle to the legs (see Figure 4).
2. Secure garden hose (not included) to the garden hose attachment on pump (see Figure 5).
3. Connect the high pressure hose to the pump outlet (see Figures 5 and 6).
4. Attach the lance to the gun (see Figure 7).
5. Install quick connect tip by pulling back on collar and pressing in tip. Release collar, make sure it completely returns to its forward position and tip is secure (see Figure 8).
6. Install quick connect tips to tip holder and secure to the pressure washer handle (see Figure 9).

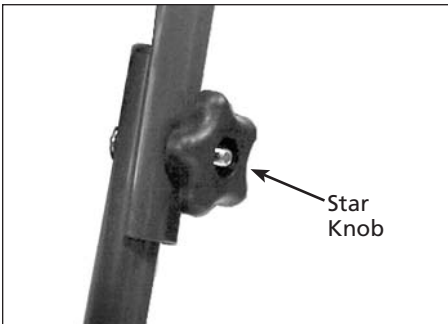


Figure 4 - Assemble handle

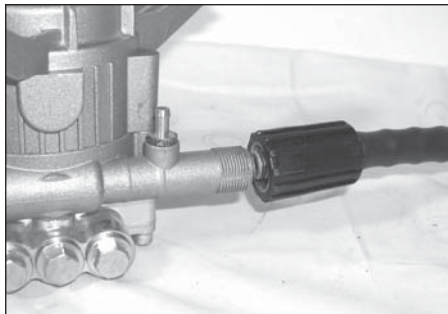


Figure 6 - Connect high pressure hose to pump

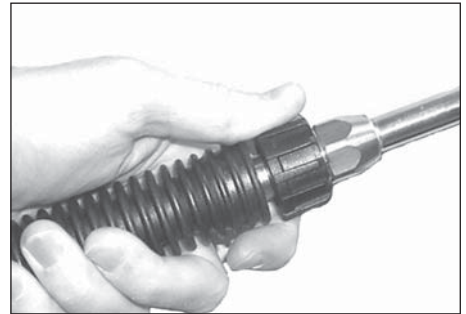


Figure 7 - Attach lance to gun

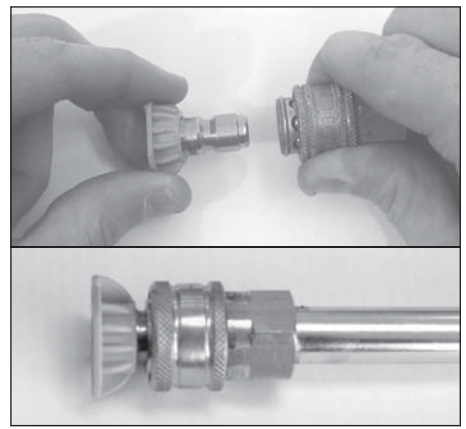


Figure 8 - Inserting quick connect tip

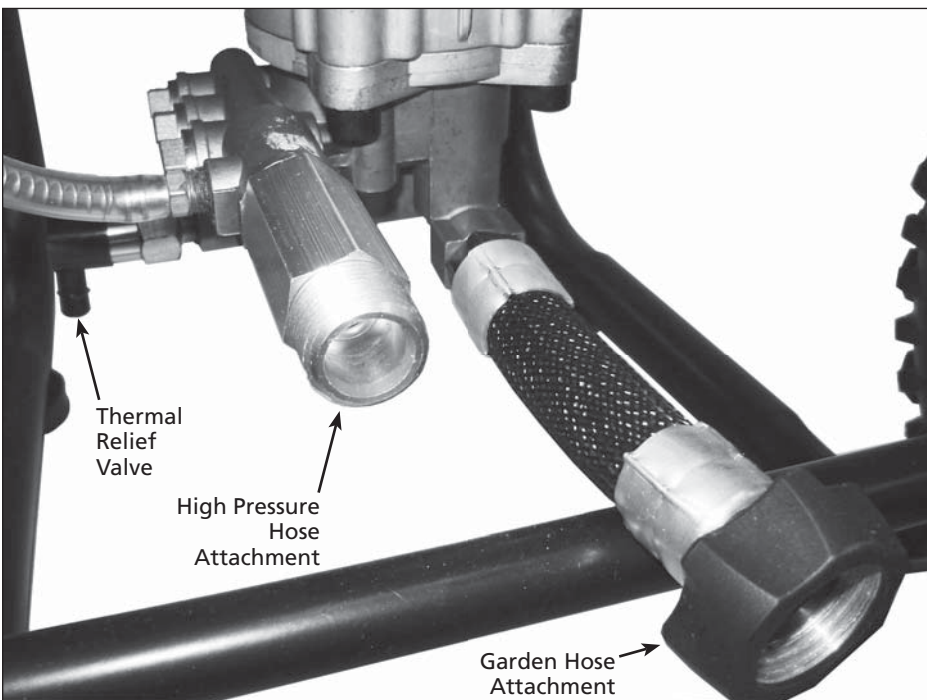


Figure 5 - Pump hook up



Figure 9 - Insert spray tips into rubber tip holder

## Assembly and Preoperation (Continued)

### TRIGGER SAFETY LATCH

In the engaged position, the trigger safety latch prevents the gun from being triggered accidentally. Push the latch fully up to engage it (See Figure 10 and 11).

Always engage the trigger safety latch when the unit is not in use.

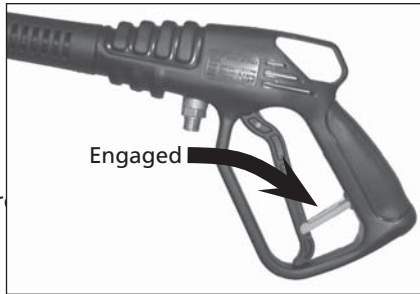


Figure 10 - Trigger locked

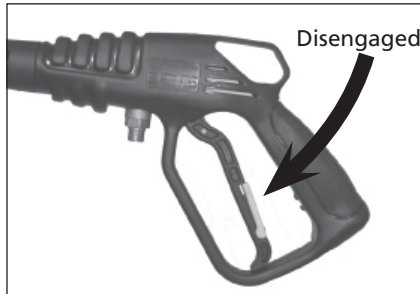


Figure 11 - Trigger unlocked

### Operation

#### SURFACE PREPARATION

The following cleaning procedure will help you organize your cleaning task and ensures that you will achieve the best results in the shortest amount of time. Remember to use the spraying / cleaning techniques mentioned in the following section.

Before starting a pressure washer cleaning job, prepare the surface you intend to clean. Clear furniture from the area and make sure that all windows and doors are closed tightly. Also, protect all plants and trees near the cleaning area with a drop cloth. A covering ensures that your plants won't be sprayed by the detergents.

#### START UP

ALWAYS use this start up procedure to ensure that the unit is started safely and properly.

#### NOTICE

**If water has frozen in the pressure washer, thaw the pressure washer in a warm room before starting. DO NOT pour hot water on or into the pump; internal parts will be damaged. Check for damage before use.**

1. Check engine oil levels. Add oil as necessary.
2. Check fuel level. Add unleaded gasoline (rated 86 octane or higher) as required.

#### WARNING

**DO NOT refuel a hot engine. Refueling a hot engine could cause a fire. Use only fresh, clean regular or unleaded gasoline. Close the fuel shutoff valve during refueling.**

3. Attach a garden hose to the inlet side of the pump and connect it to the water supply. Use a hose with an internal diameter (I.D.) of 5/8 in. (1.58 cm) and a length of 50 ft. (15 m) or less.

#### NOTICE

**Some local plumbing codes require backflow prevention when connecting to a fresh water supply. Install a backflow preventer upstream from the pump if necessary.**

- a. If inlet water pressure is over 100 psi, install a regulating water valve at the garden hose connection.
- b. Do not exceed 100° F (38° C) inlet water temperature.

**NOTE:** The inlet water supply must have a minimum flow rate of 5 gpm (19 lpm).

4. Turn the water supply ON.

#### NOTICE

**Never run the unit dry. Be sure the water supply is completely turned on before operating the unit.**

5. Trigger the gun until water sprays smoothly from the tip indicating that all air is purged from the system. Lock the trigger safety latch.
6. Open the fuel valve by turning the knob counterclockwise until it stops. Close the choke (if engine is cold) by moving the choke ring fully to the right. Turn the ignition switch to "ON".



Figure 12 - Start the engine

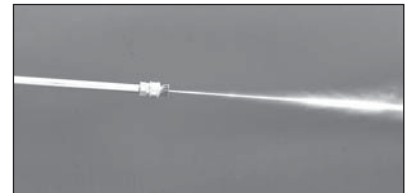


Figure 13 - Narrow high impact stream

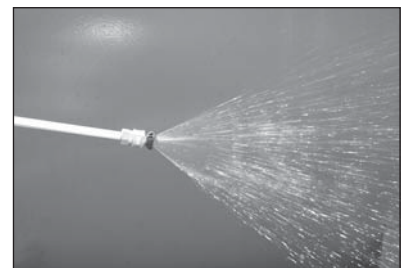


Figure 14 - 15° fan pattern

7. Start the engine. Unlock the trigger safety latch on the gun (See Figure 11). Grasp the starter rope and brace one foot on the chassis. Point the gun in a safe direction. While squeezing the trigger on the gun, pull the starter rope rapidly and firmly (See Figure 12). Continue holding the rope as it returns. Repeat these steps until the engine starts.



Figure 15 - Optimum angle to cleaning surface

## Operation (Continued)

**CAUTION** When pulling the starter rope, make sure to keep your hand and arm clear of the engine and cart components.

**NOTICE** Never let the starter rope return by itself. Doing so could jam the recoil system.

8. If the engine does not start after two or three pulls or if the rope is hard to pull, squeeze the gun trigger to release the pressure that has built up in the high pressure hose. Repeat Steps 7 and 8 until the engine starts.

### INITIAL HIGH PRESSURE RINSE

Spray the cleaning surface with water to clear off any dirt or grime that may have collected on the surface. Doing so allows the detergent to attack the deep down dirt that has worked its way into the cleaning surface.

Trigger the gun 3 to 5 times to get any trapped air out of the system.

### ADJUSTING THE SPRAY FAN ANGLE

Five quick connect tips are available for this pressure washer. The tips have a range of spray fan angles, ranging from 0°, narrow high impact, to a 65° wide fan spray.

Pressure can also be adjusted by moving closer or further away from the cleaning surface and by adjusting the spray fan angle as shown.

### ANGLE TO THE CLEANING SURFACE

When spraying water against a surface, you can generate maximum impact by striking the surface head on. However, this type of impact can cause dirt particles to embed in the surface and can prevent the desired cleaning action.

The optimum angle for spraying water against a cleaning surface is 45 degrees.

Spray water against a surface at a 45 degree angle to achieve the most beneficial impact force and to efficiently remove debris.

### DISTANCE FROM CLEANING SURFACE

The distance between the spray nozzle and the cleaning surface is another factor that affects the impact force of the

The color of the tip shows what spray angle it is:

**Red** – 0° – Maximum Duty\*

**Yellow** – 15° – Heavy Duty

**Green** – 25° – General Duty\*

**White** – 40° – Light Duty\*

**Black** – 65° – Low Pressure Detergent

**NOTE:** Use orifice size 2.5

\* = Not included with this unit

water. The impact force of the water increases as the nozzle is moved closer to the surface.

### HOW TO AVOID DAMAGING SURFACES

Damage to cleaning surfaces occurs because the impact force of the water exceeds the durability of the surface. You can vary the impact force by controlling the spray nozzle angle to the cleaning surface and the distance from the cleaning

surface and by changing the spray nozzle. NEVER use a narrow high impact stream on a surface that is susceptible to damage. Avoid spraying windows with a narrow high impact stream. Doing so may break the window. The most sure way to avoid damaging surfaces is to follow these steps:

1. Before triggering the gun, make sure the quick connect nozzle you are using is appropriate for the application.
2. Place the spray nozzle approximately 4-5 feet (1,22-1,52 m) away from the cleaning surface. Then hold the lance and spray nozzle at a 45 degree angle to the cleaning surface. Trigger the gun.
3. Vary the fan pattern spray angle and the distance to the cleaning surface until optimum cleaning efficiency is achieved without damaging the surface.

### DETERGENT APPLICATION

**NOTE:** Use only detergents formulated for pressure washers. Test detergent in an inconspicuous area before use. Do not use bleach with this pressure washer unit.

### DETERGENTS

The use of detergents can dramatically reduce cleaning time and assist in the removal of difficult stains. Many detergents are customized for pressure washer use on specific cleaning tasks. Pressure washer detergents are as thick as water. Using thicker detergents – like dish soap – will clog the chemical injection system and prevent the application of the detergent.

Once applied to a cleaning surface, detergents take time to break down dirt and grime. Detergents work best when applied at low pressure.

You can effectively clean surfaces by combining the chemical action of detergents with high pressure rinses. On vertical surfaces, apply the detergent starting at the bottom and work your way upward. This method prevents the detergent from sliding down and causing streaks. Begin high pressure rinsing at the top and work your way downward. On particularly tough stains, use a brush in combination with detergents and high pressure rinsing.

1. Follow manufacturer's label directions for mixing correct concentrations of soap/detergents. The soap detergent to water ration through the pump is approximately 10% (1 to 10).
2. Insert the filter end of the clear plastic detergent tube into the detergent container.
3. Use the black 65° quick connect spray nozzle.

### GENERAL CLEANING TIPS

1. Apply the detergent so that it thoroughly covers the cleaning surface. Apply the detergent from bottom to top to prevent the detergent from sliding down and streaking. Wait a couple of minutes for the detergent to break down the dirt and grime. Use a brush to lightly scrub heavily soiled areas. Never allow the detergent to dry on the cleaning surface.
2. To rinse: replace black 65° spray nozzle with another color nozzle.

**WARNING** Never replace quick connect nozzle when gun is triggered. Always engage trigger lock on gun before removing or installing quick connect nozzles.



## Operation (Continued)

- After using detergents, flush the suction system by placing the detergent suction tube into a bucket of clean water and spraying with the black spray nozzle.

### CLEANING POWER

The easiest way to regulate the cleaning power of your pressure washer is by changing the distance from the surface you are cleaning. Begin spraying with a wide fan pattern while standing several feet from the surface. Slowly move closer to the object you are cleaning, adjusting the spray pattern as necessary, until you find the most effective cleaning technique.

### FINAL RINSE

The final rinse should start at the top and work downward. Make sure that you thoroughly rinse the surface and that you remove all detergent.

### PRESSURE RELIEF PROCEDURE

To reduce the risk of bodily injury or property damage, always follow this procedure whenever spraying is stopped, when work is completed, and before checking or repairing any part of the system.

- Engage the trigger safety latch.
- Turn the unit off.
- Shut off the water supply.
- Disengage the trigger safety latch and trigger the gun to relieve pressure.
- Re-engage the trigger safety latch.
- When checking or repairing unit, remove the wall outlet plug from the wall.
- Before overnight storage, long term storage, or transporting unit, disconnect the water supply.

### SHUTDOWN

- Be sure all detergent is flushed from system.
- Turn the motor OFF.
- Turn the water supply OFF.
- After the motor and water supply are turned off, trigger the gun to depressurize the system.

**NOTICE** NEVER turn the water supply off before turning the engine/motor off. Serious damage could occur to the pump and/or engine/motor.

**CAUTION** NEVER disconnect the high pressure discharge hose from the machine while the system is pressurized. To depressurize, turn engine/motor off, turn water supply off and squeeze gun trigger 2-3 times.

- After each use, wipe all surfaces of the pressure washer with a clean, damp cloth.

### STORAGE

- Do not store the pressure washer outdoors.
- Do not store the pressure washer where it might freeze unless it has been properly winterized.

## Long Term Storage Instructions (more than 30 Days in storage)

- Remove fuel from the tank and run the pressure washer in a normal operating mode until the engine stops from a lack of fuel. Normal operating mode means actually spraying water from the gun while the engine is running. Alternate method – Add fuel stabilizer to gas in the tank and run in normal operating mode for at least five minutes.
  - Stop the engine, turn off the water supply, and trigger the gun to release pressure in the high-pressure hose.
  - Disconnect the water supply and high pressure hose from the pump.
  - Allow the engine to cool.
  - Disconnect the spark plug wire and remove the spark plug.
  - Pour 1/2 oz. of engine oil into the spark plug hole.
- WARNING** Never pull the starter rope on the engine when the spark plug is removed unless the spark plug hole is covered. Fuel vapor from the hole can ignite by a spark.
- Place a rag over the spark plug hole and slowly pull the starter rope several times to distribute the oil.

### WINTERIZING INSTRUCTIONS

- Follow and complete the Long Term Storage Instructions.
  - Disconnect the spark plug wire.
  - Disconnect the high pressure hose from the pump.
  - Insert a 12 in. to 14 in. piece of garden hose into the pump inlet.
  - Place a funnel in the other end of the garden hose.
- NOTICE** Read the manufacturer's instructions for safe handling and disposal of RV antifreeze.
- Pour approximately 6 oz. of RV antifreeze into the funnel.
  - Pull the starter rope several times until the RV antifreeze comes out of the pump outlet.
  - Disconnect the high pressure hose from the gun and drain the hose. Hold the gun and lance in a vertical position and squeeze the trigger to drain the water out.

### TIPS FOR EXTENDING THE LIFE OF YOUR PRESSURE WASHER

- Never operate the unit without water.
- Your pressure washer is not meant to pump hot water. Never connect your pressure washer to a hot water supply as it will significantly reduce the life of the pump.
- Running the unit for more than one minute without spraying water causes heat to build up in the pump. Running the unit without spraying water can damage pump components.

### Maintenance

Observe regular maintenance intervals to ensure maximum performance and life from the pressure washer. Refer to the schedule for recommended maintenance. If you operate the pressure washer in dusty conditions, perform maintenance checks more often.

## Maintenance (Continued)

### ENGINE OIL CHANGING INSTRUCTIONS

Drain the engine oil when the engine is warm. Warm oil drains quickly and completely.

1. Turn the fuel valve to the OFF position to reduce the possibility of fuel leakage.
2. Place a suitable container next to the engine to catch the used oil.
3. Remove the oil filler cap/dipstick and drain the oil into the container by tipping the engine toward the oil filler neck.

Please dispose of used motor oil in a manner that is compatible with the environment. We suggest you take used oil in a sealed container to your local recycling center or service station for reclamation. Do not throw into the trash, out it on the ground, or pour it down a drain.

4. With the engine in a level position, fill to the upper limit mark on the dipstick with the recommended oil.
5. Reinstall the oil filler cap/dipstick securely.

### PUMP OIL CHANGING INSTRUCTIONS

Changing or refilling the oil in the pump requires removal of the pump from the engine and should not be required unless oil has leaked out due to worn or damaged oil seals in the pump. If oil has leaked out of the pump, bring the pressure washer to a certified Campbell Hausfeld service center for repair.

### MAINTENANCE SCHEDULE

MAINTENANCE SCHEDULE	ACTION NEEDED
Daily	<ul style="list-style-type: none"> <li>• Check water inlet screen and filter.</li> <li>• Check engine oil levels. Fill as necessary.</li> <li>• Check gasoline level. Fill as necessary.</li> </ul>
After first 5 hours of operation	<ul style="list-style-type: none"> <li>• Change engine break-in oil. Use 10W-30 automotive detergent oil. See your Honda Owner's manual for specific information.</li> </ul>
Every 25 hours of operation	<ul style="list-style-type: none"> <li>• Change oil if operating under heavy load or high ambient temperature.</li> <li>• Clean or replace paper air cleaner cartridge. Tap gently to remove dirt.</li> </ul>
Every 50 hours of operation	<ul style="list-style-type: none"> <li>• Change oil.</li> <li>• Replace spark plug.</li> </ul>
Each 100 hours of operation or every 3 months	<ul style="list-style-type: none"> <li>• Replace paper air cleaner cartridge.</li> <li>• Change engine oil.</li> </ul>

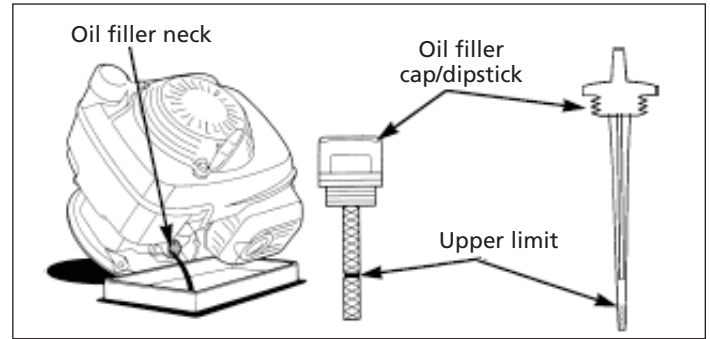


Figure 16 - Oil drain and fill locations

### TECHNICAL AND CONSUMER INFORMATION

HORIZONTAL ORIENTED PRESSURE WASHERS	
Engine Oil Type	SAE 10W-30 SAE 30W (Above 60° F)
Engine Oil Capacity	
Honda Engines	18.5 fl. oz.
Engine Fuel Capacity	
Honda Engines	0.29 gallons
Pump Oil Type	
Wobble Pumps	80w90 gear oil
Pump Oil Capacity	
Vertical Wobble Pumps	2.7 fl. oz.
Pump Detergent Suction	
Water to detergent ratio	8 to 1 (12% detergent)
Water Supply Requirements	
Minimum inlet pressure	20 psi
Maximum inlet pressure	100 psi
Maximum inlet temperature	100° F
Minimum inlet flow rate	5 gpm
Inlet garden hose size	5/8 inch I.D.
Maximum inlet garden hose length	50 feet

### TECHNICAL SERVICE

For information regarding the operation or repair of this product, please call 1-800-330-0712.

### REPLACEMENT PARTS INFORMATION

For information regarding where to order replacement parts, call toll free 1-800-330-0712.

Please provide the following information:

- Model number
- Stamped code
- Part number and description

Address parts correspondence to:  
Campbell Hausfeld  
100 Production Drive  
Harrison, Ohio 45030 U.S.A.



## General Troubleshooting Guide

Symptom	Possible Cause(s)	Corrective Action
Engine will not start or is hard to start	<ol style="list-style-type: none"> <li>1. No gasoline in fuel tank or carburetor</li> <li>2. Low oil</li> <li>3. Start/Stop switch in stop position</li> <li>4. Water in gasoline or old fuel</li> <li>5. Dirty air cleaner filter</li> <li>6. Spark plug dirty, wrong gap or wrong type</li> <li>7. Spray gun closed</li> <li>8. Other causes</li> </ol>	<ol style="list-style-type: none"> <li>1. Fill the tank with gasoline, open fuel shut off valve. Check fuel line and carburetor</li> <li>2. Check oil level. Fill if necessary</li> <li>3. Move switch to start position</li> <li>4. Drain fuel tank and carburetor. Use new fuel and dry spark plug</li> <li>5. Remove and clean or replace</li> <li>6. Clean, adjust the gap, or replace</li> <li>7. Trigger spray gun</li> <li>8. See engine owner's manual</li> </ol>
Engine misses or lacks power	<ol style="list-style-type: none"> <li>1. Partially plugged air cleaner filter</li> <li>2. Spark plug dirty, wrong gap or wrong type</li> </ol>	<ol style="list-style-type: none"> <li>1. Remove and clean or replace</li> <li>2. Clean, adjust the gap, or replace</li> </ol>
Low pressure and/or pump runs rough	<ol style="list-style-type: none"> <li>1. Worn or wrong size tip</li> <li>2. Inlet filter on pump clogged</li> <li>3. Worn water seals, abrasives in water, or natural wear</li> <li>4. Fouled or dirty inlet or discharge valves</li> <li>5. Restricted inlet</li> <li>6. Worn inlet or discharge valves</li> <li>7. Leaking high pressure hose</li> <li>8. Pump drawing in air</li> <li>9. Unloader valve seat faulty or worn</li> </ol>	<ol style="list-style-type: none"> <li>1. Replace with tip of proper size</li> <li>2. Clean. Check more frequently</li> <li>3. Check filter. Replace water seals. See service center or call customer service for replacement kits.</li> <li>4. Clean inlet and discharge valve assemblies. Check filter</li> <li>5. Check garden hose, may be collapsed or kinked. Check inlet water flow</li> <li>6. Replace worn valves</li> <li>7. Replace high pressure hose</li> <li>8. Ensure hoses and fittings are tight</li> <li>9. Check and replace</li> </ol>
Water leakage from under pump manifold	Worn water seals	Install new water seals. See service center or call customer service for replacement kits.
Water in pump crankcase (milky oil)	<ol style="list-style-type: none"> <li>1. Humid air condensing inside crankcase</li> <li>2. Oil seals leaking</li> </ol>	<ol style="list-style-type: none"> <li>1. Change oil as specified in maintenance schedule</li> <li>2. Install new oil seals. See service center or call customer service for replacement kits.</li> </ol>
Frequent or premature failure of the pump water seals	<ol style="list-style-type: none"> <li>1. Scored damaged or worn plungers</li> <li>2. Abrasive material in the fluid</li> <li>3. Inlet water temperature too high</li> <li>4. Overpressurizing pump</li> <li>5. Excessive pressure due to partially plugged or damaged tip</li> <li>6. Pump running too long without spraying</li> <li>7. Pump running dry</li> </ol>	<ol style="list-style-type: none"> <li>1. Install new plungers. See service center or call customer service for replacement kits.</li> <li>2. Install proper filtration on pump inlet plumbing</li> <li>3. Check water temperature; may not exceed 100° F.</li> <li>4. Do not modify any factory set adjustments.</li> <li>5. Clean or replace tip.</li> <li>6. Never run pump more than 1 minute without spraying</li> <li>7. Do not run pump without water</li> </ol>
Strong surging at the inlet and low pressure	Foreign particles in the inlet or discharge valve or worn inlet and/or discharge valves	Clean or replace valves. See service center or call customer service for replacement kits.

*Continued on next page*

## General Troubleshooting Guide

Symptom	Possible Cause(s)	Corrective Action
Oil leakage between the engine and the pump	Worn oil seals and/or o-ring	See service center or call customer service for replacement kits.
Fluctuating pressure	<ol style="list-style-type: none"> <li>1. Valve worn, dirty or stuck</li> <li>2. Pump drawing in air</li> <li>3. Tip clogged</li> </ol>	<ol style="list-style-type: none"> <li>1. Check and replace</li> <li>2. Ensure hoses and fittings are tight. Purge air from garden hose</li> <li>3. Check or replace</li> </ol>
Pressure drops after period of normal use	<ol style="list-style-type: none"> <li>1. Worn pump water seals</li> <li>2. Nozzle worn</li> <li>3. Valve worn, dirty or stuck</li> <li>4. Unloader valve seat worn or dirty</li> <li>5. Nozzle in low psi position</li> </ol>	<ol style="list-style-type: none"> <li>1. Check and replace</li> <li>2. Check and replace</li> <li>3. Check, clean or replace</li> <li>4. Check, clean or replace</li> <li>5. Pull back nozzle to high pressure position</li> </ol>
Pump noisy / pump runs rough	<ol style="list-style-type: none"> <li>1. Pump drawing in air/low water supply</li> <li>2. Valves dirty or worn</li> <li>3. Worn bearings</li> <li>4. Water too hot</li> </ol>	<ol style="list-style-type: none"> <li>1. Ensure fittings are tight. Increase water pressure</li> <li>2. Check, clean or replace</li> <li>3. Check and replace</li> <li>4. Reduce temperature below 100° F</li> </ol>
Pressure washer will not spray detergent	<ol style="list-style-type: none"> <li>1. Not using soap tip</li> <li>2. Clog, kink, or hole in detergent suction hose</li> <li>3. Hose length too long</li> <li>4. Lance not functioning properly</li> </ol>	<ol style="list-style-type: none"> <li>1. Install 65 degree (black) soap tip</li> <li>2. If clean, unkink or replace hose.</li> <li>3. Use only hose length provided with initial purchase of pressure washer. Detergent suction will not function if more than one section of hose is attached to unit.</li> <li>4. Remove lance from gun. If detergent is dispensed through gun, the lance must be replaced. If no detergent is dispensed through gun, remove 1 inch tapered detergent barb from pump. Clean the barb, and make sure that ball and spring are properly aligned with tapered portion of the spring facing the ball. The ball should be on top of the spring.</li> </ol>

**For Replacement Parts or Technical Assistance, Call 1-800-330-0712**

Please provide following information:

- Model number
- Serial number (if any)
- Part description and number as shown in parts list

Address any correspondence to:

Campbell Hausfeld  
Attn: Customer Service  
100 Production Drive  
Harrison, OH 45030 U.S.A.

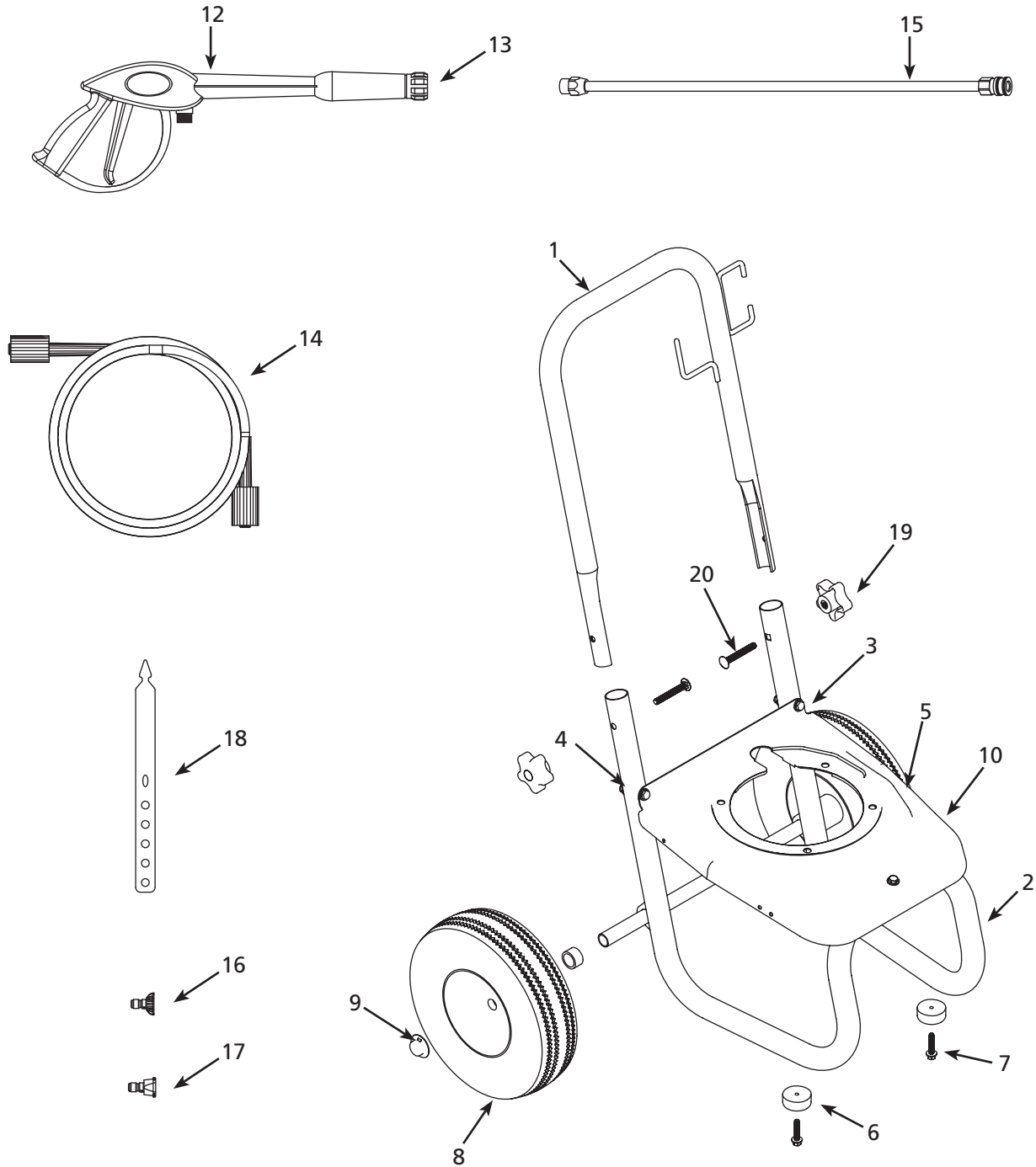


Figure 17 - Repair Parts Illustration

**REPLACEMENT PARTS LIST**

Ref. No.	Description	Part No.	Qty.
1	Handle	PM344057KK	1
2	Frame	PM344766KK	2
3	1/4" Black flat washer	PM002000AV, *	6
4	1/4 inch - 20 nylon lock nut	ST073808AV, *	3
5	1/4 inch - 20 bolt (base)	PM001902AV, *	3
6	Rubber bumper	AL062300AV	2
7	1/4 inch - 20 x 3/4 self tapping screw	MJ102100AV, *	2
8	Wheel	WA005621AV	2
9	Pushnut (2)	PM344775SJ	2
10	Baseplate	PM344725KK	1
11	Detergent tube (not shown)	PM013800AV	1
12	Gun	PM351377AV	1
13	O-ring (gun) (not shown)	PM245800SV	1
14	Hose	PM005015AV	1
15	Lance	PM351378AV	1
16	Tip, 15° (Yellow)	PM039696AV	1
17	Tip, 65° (Black)	PM039820AV	1
18	Holder, QC Tip	PM344304AV	1
19	Star Knob (2 pcs.)	PM344773SJ	2
20	Carriage Bolt (2 pcs.)	PM344774SJ	2

**Tips Accessories Available for PW2570 (Not supplied with unit)**

	Tip, 0° (Red)	PM039695AV
	Tip, 25° (Green)	PM039697AV
	Tip, 40° (White)	PM039698AV

\* Standard hardware item

★ For engine service or replacement parts, call Honda at 1-800-426-7701

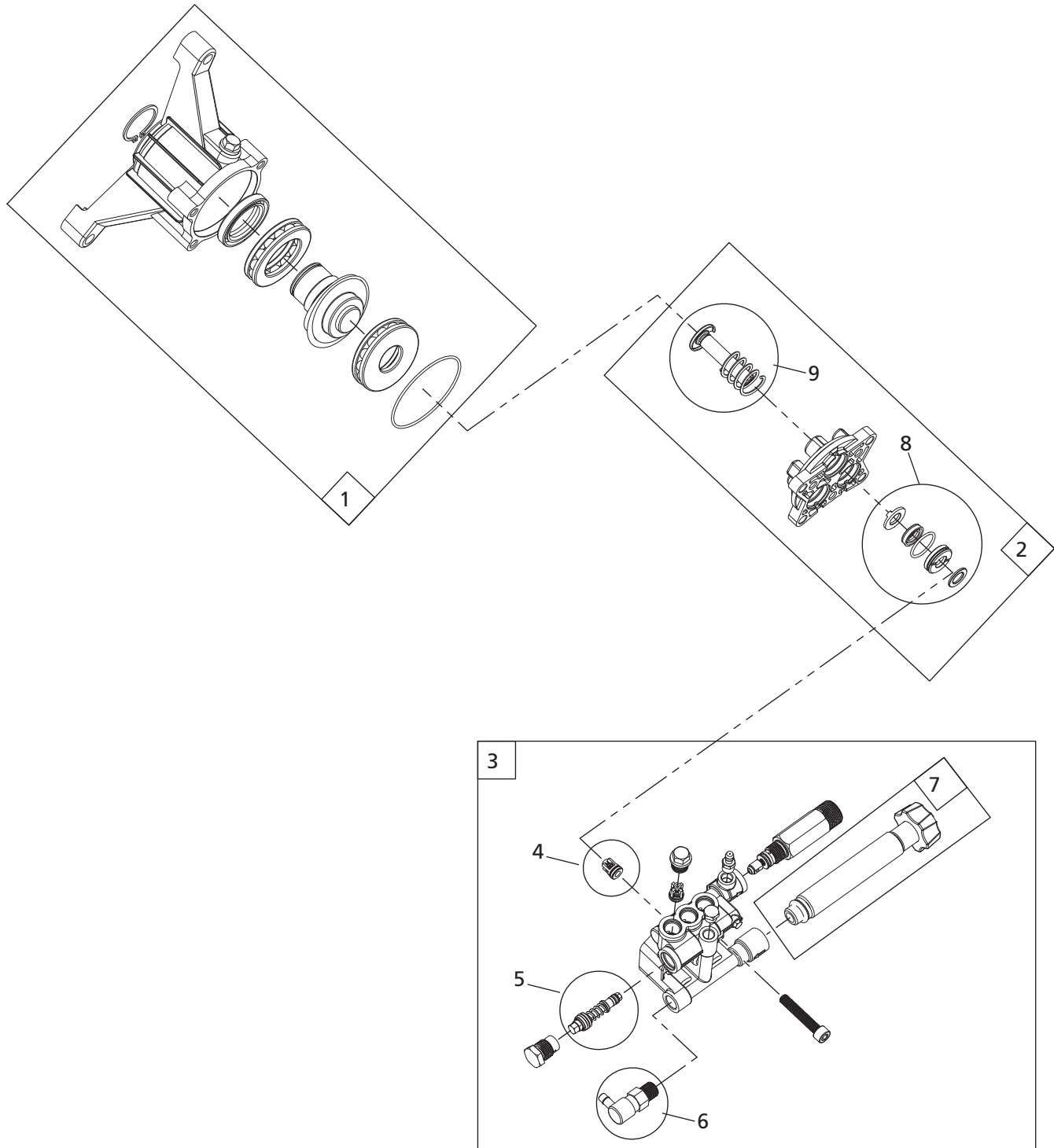
**For Replacement Parts or Technical Assistance, Call 1-800-330-0712**

Please provide following information:

- Model number
- Serial number (if any)
- Part description and number as shown in parts list

Address any correspondence to:

Campbell Hausfeld  
Attn: Customer Service  
100 Production Drive  
Harrison, OH 45030 U.S.A.



**Figure 18 – Repair Parts Illustration**



**REPLACEMENT PARTS LIST**

<b>Ref. No.</b>	<b>Description</b>	<b>Part No.</b>	<b>Qty.</b>
1	Lower tank assembly	PM351305SV	1
2	Pump block assembly	PM351310SV	1
3	Pump head assembly	PM351365SV	1
4	Valve kit (contains 6 valves)	PM351331SV	1
5	Unloader valve	PM351332SV	1
6	Thermal relief valve	PM351325SV	1
7	Inlet hose assembly	PM351320SV	1
8	Water seal kit	PM351330SV	1
9	Piston kit (set of 3)	PM351333SV	1

<b>Torque Specifications (in-lbs)</b>	
<b>Description</b>	<b>Torque</b>
Thermal relief valve	110
Hose Barb Torque	100
Head Bolt	110
Oil capacity: 2.7 fl. oz.	
Oil type: 80w90 gear oil	

---

**REGISTER YOUR PRODUCT ONLINE NOW!**  
**[www.campbellhausfeld.com](http://www.campbellhausfeld.com)**

---

## Limited Warranty

1. **DURATION:** From the date of purchase by the original purchaser as follows: Three (3) years pressure washer unit, two (2) years pump and motor, and 90 days for wear items.
2. **WHO GIVES THIS WARRANTY (WARRANTOR):** Campbell Hausfeld / Scott Fetzer Company, 100 Production Drive, Harrison, OH 45030, Telephone: 1-800-330-0712.
3. **WHO RECEIVES THIS WARRANTY (PURCHASER):** The original purchaser (other than for purposes of resale) of the Campbell Hausfeld pressure washer.
4. **WHAT PRODUCTS ARE COVERED UNDER THIS WARRANTY:** This Campbell Hausfeld Pressure Washer.
5. **WHAT IS COVERED UNDER THIS WARRANTY:** Substantial defects on material and workmanship which occur within the duration of the warranty period with the exceptions noted below.
6. **WHAT IS NOT COVERED UNDER THIS WARRANTY:**
  - A. Implied warranties, including those of merchantability and FITNESS FOR A PARTICULAR PURPOSE ARE LIMITED FROM THE DATE OF ORIGINAL PURCHASE AS STATED IN THE DURATION. Some states do not allow limitation on how long an implied warranty lasts, so the above limitations may not apply to you.
  - B. ANY INCIDENTAL, INDIRECT, OR CONSEQUENTIAL LOSS, DAMAGE, OR EXPENSE THAT MAY RESULT FROM ANY DEFECT, FAILURE, OR MALFUNCTION OF THE CAMPBELL HAUSFELD pressure washer. Some States do not allow the exclusion or limitation of incidental or consequential damages, so the above limitation or exclusion may not apply to you.
  - C. Any failure that results from shipping damage, accident, purchaser's abuse, neglect or failure to install and operate pressure washer in accordance with instructions provided in the owner's manual(s) supplied with product.
  - D. Pre-delivery service, i.e. assembly, oil or lubricants and adjustment.
  - E. Items or service normally required to maintain the pressure washer.
  - F. Additional items not covered under the warranty:
    1. Normal wear items such as high pressure hoses, water and oil seals, o-rings, valves, lances and spray nozzles.
    2. Cosmetic defects that do not interfere with functionality.
    3. Rusted components.
    4. Pump wear or valve damage caused by using improper oil, oil contamination or by failure to follow proper oil maintenance guidelines.
  - G. Gasoline engine and components are expressly excluded from coverage under this limited warranty. Such components should be returned by the purchaser to the original manufacturer or to its authorized repair stations for service.
7. **RESPONSIBILITIES OF WARRANTOR UNDER THIS WARRANTY:** Repair or replace, at Warrantor's option, pressure washer or component which is defective, has malfunctioned and/or failed to conform within duration of the warranty period.
8. **RESPONSIBILITIES OF PURCHASER UNDER THIS WARRANTY:**
  - A. Provide dated proof of purchase and maintenance records.
  - B. Deliver or ship the Campbell Hausfeld pressure washer or component to nearest Campbell Hausfeld Authorized Service Center. Freight costs, if any, must be borne by the purchaser.
  - C. Use reasonable care in the operation and maintenance of the pressure washer as described in the owner's manual(s).
9. **WHEN WARRANTOR WILL PERFORM REPAIR OR REPLACEMENT UNDER THIS WARRANTY:** Repair or replacement will be scheduled and serviced according to the normal work flow at the servicing location, and depending on the availability of replacement parts.

This Limited Warranty applies in the U.S., Canada and Mexico only and gives you specific legal rights. You may also have other rights which vary from state to state or country to country.

---

**REMINDER: Keep your dated proof of purchase for warranty purposes!**  
**Attach it to this manual or file it for safekeeping.**

---

*Veillez lire et conserver ces instructions. Lire attentivement avant de commencer à assembler, installer, faire fonctionner ou entretenir l'appareil décrit. Protégez-vous et les autres en observant toutes les informations sur la sécurité. Négliger d'appliquer ces instructions peut résulter en des blessures corporelles et/ou en des dommages matériels ! Conserver ces instructions pour références ultérieures.*



# Laveuses à Pression à Essence

ENREGISTREZ VOTRE PRODUIT EN LIGNE MAINTENANT !

<http://www.campbellhausfeld.com>



## Description

Ces laveuses à pression à essence sont conçues pour des travaux de petites à moyennes surfaces. Ils sont parfaits pour les projets d'entretien d'atelier, de fermes, de maisons ou de bâtiments, d'allées/de trottoirs en ciment et d'équipement lourd.

Tous les chariots sont fabriqués en acier durable avant d'être soudés et recouverts d'un revêtement en poudre qui contribue à leur longévité. C'est dans le Kentucky que ces laveuses à pression sont fabriquées et dotées non sans fierté de moteurs Honda fiables et robustes.

**LIRE ET SUIVRE TOUTES LES INSTRUCTIONS.**

**CONSERVER CES INSTRUCTIONS NE LES JETEZ PAS**

## Directives de Sécurité

Ce manuel contient de l'information très importante qui est fournie pour la SÉCURITÉ et pour ÉVITER LES PROBLÈMES D'ÉQUIPEMENT. Rechercher les symboles suivants pour cette information.

**⚠ DANGER** *Danger indique une situation hasardeuse imminente qui RÉSULTERA en perte de vie ou blessures graves.*

**⚠ AVERTISSEMENT** *Avertissement indique une situation hasardeuse potentielle qui PEUT résulter en perte de vie ou blessures graves.*

**⚠ ATTENTION** *Attention indique une situation hasardeuse potentielle qui PEUT résulter en blessures.*

**AVIS** *Avis indique de l'information importante pour éviter le dommage de l'équipement.*

Figure 1

## Spécifications

Modèle	Honda Moteur	Pompe	Pression	Débit	Buse
PW2570	GCV160	piston à oscillation axial	19,305 kPa / 2800 psi	2,5 GPM	#2,5

Veillez inscrire le No de modèle et le No de série à utiliser pour contacter le fabricant :

N° de modèle : \_\_\_\_\_

N° de série : \_\_\_\_\_

Date d'achat : \_\_\_\_\_

Lieu d'achat : \_\_\_\_\_

Pour obtenir de l'information sur le produit, veuillez appeler le 1-800-330-0712.

**MÉMENTO:** Gardez votre preuve datée d'achat à fin de la garantie!  
Joignez-la à ce manuel ou classez-la dans un dossier pour plus de sécurité.

**LIRE ET SUIVRE TOUTES LES INSTRUCTIONS • CONSERVER CES INSTRUCTIONS • NE PAS JETER**

## Directives de Sécurité (Suite)

**REMARQUE :** Remarque indique : des renseignements additionnels concernant le produit ou son utilisation.

### Généralités sur la Sécurité

#### INSTRUCTIONS PORTANT SUR UN RISQUE D'INCENDIE, UN CHOC ÉLECTRIQUE OU DES BLESSURES AUX PERSONNES

Ce manuel contient des informations concernant la sécurité, le fonctionnement et l'entretien. Si vous avez des questions, appeler le 1-800-330-0712 pour le service à la clientèle.

**AVERTISSEMENT** *En utilisant les outils, il faut suivre les précautions de base, y compris ce qui suit :*

#### PROPOSITION 65 DE CALIFORNIE

**AVERTISSEMENT** *Ce produit et son cordon contient du plomb, un produit chimique qui de l'avis de l'État de Californie peut causer le cancer et des anomalies congénitales ou d'autres problèmes pour la reproduction. Se laver les mains après toute manipulation.*

#### GÉNÉRALITÉ

- Pour réduire les risques de chocs électriques, d'incendie ou de blessures aux personnes, lire toutes les instructions avant d'utiliser l'outil. Ne pas suivre les avertissements, les dangers et les mises en garde pourrait causer la MORT ou de GRAVES BLESSURES.
- Se familiariser avec ce produit, ses commandes et son utilisation. Suivez toutes les instructions. Contacter votre représentant Campbell Hausfeld si vous avez des questions.
- Seules les personnes familières avec ces règles d'utilisation sans danger devraient utiliser cette unité.
- Suivez tous les codes de sécurité ainsi que l'Occupational Safety and Health Act (OSHA).



#### AIRE DE TRAVAIL

- Gardez le secteur d'opération libre de toutes personnes.
- Gardez l'aire de travail propre et bien éclairée. Les établis encombrés et les coins sombres augmentent les risques de chocs électriques, d'incendie et de blessures aux personnes.
- Ne pas faire fonctionner l'outil dans une atmosphère explosive comme en présence de liquides, gaz ou poussières inflammables. L'outil peut produire des étincelles menant à une inflammation de poussières ou de fumées.
- NE pulvériser JAMAIS de liquides inflammables et n'utilisez jamais le pulvérisateur haute pression dans des endroits contenant de la poussière, des liquides ou des vapeurs combustibles.
- Ne faites jamais fonctionner cet appareil dans un édifice fermé ou dans ou près d'un environnement explosif.



#### SÉCURITÉ PERSONNELLE

- Rester vigilant. Il faut regarder ce que vous faites et utiliser son sens commun en faisant fonctionner un outil.

Ne pas faire fonctionner l'appareil si vous êtes fatigué ou sous l'influence de drogues, d'alcool ou de médicaments. Un moment d'inattention en faisant fonctionner l'outil augmente le risque de blessures.

- Il faut s'habiller correctement. Ne pas porter de bijoux ou de vêtements amples. Attacher les cheveux longs. Garder les cheveux, les vêtements et les gants loin des pièces mobiles. Les vêtements amples, les bijoux ou les cheveux longs augmentent le risque de blessures si quelque chose se prend dans les pièces mobiles.
- Ne pas trop se pencher. Garder bon pied et bon équilibre en tout temps. Ceci permet d'avoir un meilleur contrôle de l'outil dans les situations imprévues.

**AVERTISSEMENT** *Risque d'injection ou de blessures graves. Restez loin du gicleur. Ne déchargez pas de jets vers les personnes. Ce produit doit être utilisé seulement par un opérateur formé. Retirez toujours la lance du fusil avant de nettoyer les débris du bec.*



- Restez loin du gicleur. NE dirigez JAMAIS le jet haute pression vers une personne, un animal, ou vous-même.
- Ne mettez JAMAIS votre main ou vos doigts sur le bec de pulvérisation lorsque l'unité est en fonction.
- N'essayez jamais d'arrêter ou de dévier les fuites vers toute partie du corps.



**AVERTISSEMENT** *S'assurer que l'outil n'est utilisé que lorsque l'opérateur et tout autre personnel dans l'aire de travail portent un équipement de protection oculaire ANSI Z87, et s'il y a lieu, d'autre équipement de protection approprié comme une protection de la tête, auditive, des gants, des bottes de caoutchouc, des vêtements protecteurs en utilisant et exécutant la maintenance. De graves blessures oculaires ou une perte auditive permanente pourraient en résulter.*



#### UTILISATION ET ENTRETIEN DE L'OUTIL

**AVERTISSEMENT** *N'utilisez pas de pression qui dépasse la pression d'exploitation de toute pièce (flexibles, raccords, etc.) du système sous pression. Assurez-vous que tout équipement et accessoires sont du calibre voulu pour résister à la pression d'exploitation maximum de l'appareil.*

- Il faut entretenir l'outil avec soin. Un outil bien entretenu réduit le risque de problèmes et est plus facile à contrôler.
- Assurez-vous que tous les dispositifs de sécurité fonctionnent correctement avec chaque utilisation. NE retirez PAS et ne modifiez pas toute pièce du pistolet ou de l'appareil.
- NEVER operate the machine without all components properly connected to the machine (handle, gun/wand assembly, nozzle, etc.).
- Pointer le pistolet dans une direction sans danger. L'unité commencera à pulvériser lorsque la gâchette est pressée si l'interrupteur « marche/arrêt » est à la position « ON » (Pulvérisateur à pression (marche)).
- Sachez comment arrêter ce produit et dégager rapidement la pression. Soyez bien au fait des contrôles.

## Directives de Sécurité (Suite)

- f. Engagez toujours le verrou de sécurité de la gâchette en position sûre à la fin de la pulvérisation même si ce n'est que pour quelques instants.
- g. N'engagez jamais en permanence le mécanisme de la gâchette sur le pistolet.
- h. Suivez toujours les recommandations du fabricant de détergents pour la bonne utilisation du produit. Protégez toujours les yeux, la peau et le système respiratoire du détergent.
- i. Ne débranchez jamais le flexible de décharge de haute pression de la machine tandis que le système est sous pression. Pour décompresser, coupez le courant et l'eau, puis pressez la gâchette du pistolet 2 ou 3 fois.
- j. Débrancher l'appareil lorsqu'il n'est pas utilisé.
- k. Suivez les instructions d'entretien spécifiées dans le manuel.

### AVIS

#### *Domage à l'équipement.*

- l. Mettez TOUJOURS l'eau à "ON" avant de mettre le pulvérisateur haute pression en marche "ON". **Faire fonctionner la pompe à sec cause de graves dommages.**
- m. Ne faites pas fonctionner le pulvérisateur haute pression avec l'écran d'entrée d'eau retiré. Gardez l'écran libre de tous débris et sédiments.
- n. NE faites JAMAIS fonctionner le pulvérisateur haute pression avec des pièces brisées ou manquantes. Vérifiez régulièrement l'équipement et réparez immédiatement toutes pièces usées ou endommagées.
- o. Utilisez seulement le gicleur fourni avec l'appareil.
- p. Ne laissez jamais la rallonge sans surveillance tandis que la machine est en marche.
- q. Tenez toujours le pistolet et la rallonge bien fermement en démarrant et en faisant fonctionner l'appareil.
- r. Ne laissez JAMAIS l'appareil fonctionner avec la gâchette délogée (arrêt) pendant plus d'une minute. L'accumulation de chaleur pourrait endommager la pompe.
- s. NE rangez JAMAIS le pulvérisateur haute pression à l'extérieur ou à des endroits où il pourrait geler. Le gel peut endommager gravement la pompe.

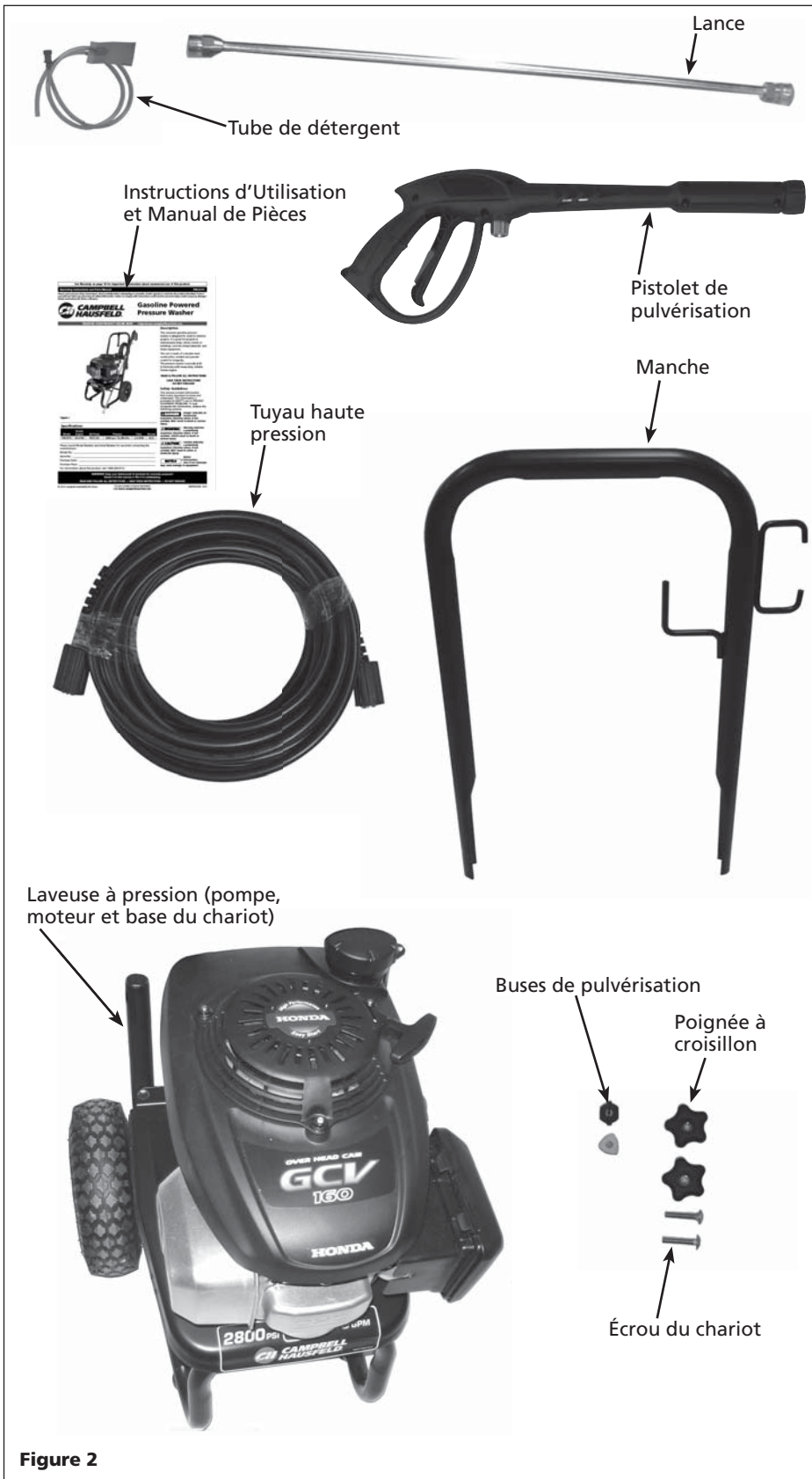
## SERVICE

- a. **En réparant ou faisant l'entretien d'un outil, utiliser seulement des pièces de rechange identiques. Utiliser seulement des pièces autorisées.**

Les symboles **DANGER, AVERTISSEMENT, ATTENTION ET AVIS** ainsi que les instructions de ce manuel ne peuvent pas couvrir toutes les conditions et situations qui pourraient se produire. L'opérateur doit comprendre que les précautions sont des facteurs qui ne peuvent pas être inclus dans ce produit, mais doivent être fournis par l'opérateur.

**CONSERVER CES INSTRUCTIONS NE LES JETEZ PAS**

## Déballage



Dès que l'appareil est déballé, inspectez-le attentivement pour tout signe de dommages en transit. Vérifiez s'il y a des pièces desserrées, manquantes ou endommagées. Assurez-vous de resserrer tous les raccords, boulons, etc. avant d'utiliser la laveuse à pression. Vérifiez pour vous assurer que tous les accessoires fournis sont inclus avec l'appareil. S'il manque toute pièce, **NE RETOURNEZ PAS L'APPAREIL AU DÉTAILLANT**. Consultez le numéro de modèle de l'appareil (sur l'étiquette du numéro de série du cadre de la laveuse à pression) et appelez le 1-800-330-0712 pour les pièces de rechange.

**AVERTISSEMENT** *Ne pas utiliser l'appareil s'il est endommagé pendant le transport, la manutention ou l'utilisation. Des dommages peuvent entraîner un éclatement et provoquer des blessures ou des dommages à la propriété.*

### CONTENU DE LA BOÎTE

- ◆ Une laveuse à pression (pompe, moteur et base du chariot)
- ◆ Un assemblage de la poignée du chariot
- ◆ Un pistolet pulvérisateur et une lance Quick Connect®
- ◆ Deux buses de pulvérisation
- ◆ Un tuyau haute pression
- ◆ Un emballage contenant écrous, boulons et manuels

### AUTRES ARTICLES NON INCLUS

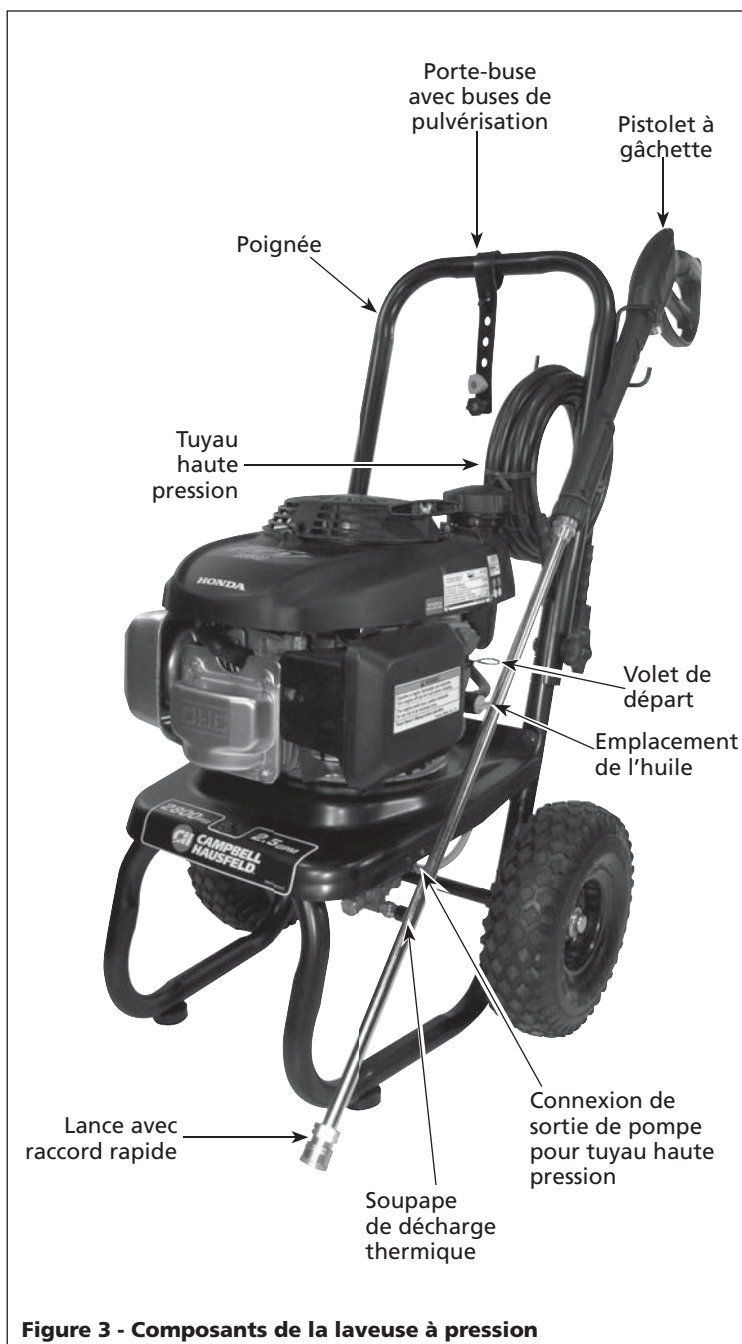
- ◆ ANSI Z87 Protection oculaire
- ◆ Boyau d'arrosage

Figure 2

## Apprendre à connaître votre laveuse à pression

### UTILISATIONS RECOMMANDÉES POUR CETTE LAVEUSE À PRESSION

- |              |          |            |                           |
|--------------|----------|------------|---------------------------|
| ◆ Terrasse   | ◆ Patio  | ◆ Asphalte | ◆ Garage/Ateliers         |
| ◆ Revêtement | ◆ Brique | ◆ Métal    | ◆ Extérieurs de maisons   |
| ◆ Véhicules  | ◆ Béton  | ◆ Bois     | ◆ Extérieurs de bâtiments |



## Glossaire

Familiarisez-vous avec ces termes avant d'utiliser l'appareil.

**G/MIN (GALLONS À LA MINUTE)** - Plus d'eau à la minute peut se traduire par un nettoyage plus rapide, tout particulièrement en lavant des matériaux comme la boue et le goudron.

**DISJONCTEUR DE FUITE À LA TERRE (GFCI)** - Le disjoncteur de fuite à la terre protège l'utilisateur de toute électrocution accidentelle (pour les laveuses à pression alimentées par l'électricité seulement).

## Assemblage et préopération

### ASSEMBLAGE ET PRÉOPÉRATION

1. Faire glisser l'assemblage de la poignée sur la partie inférieure des montants du chariot. Utiliser les écrous et les boulons fournis pour fixer la poignée aux pieds (Voir Figure 4).
2. Fixer solidement un boyau d'arrosage (non inclus) au tuyau d'arrosage de la pompe (Voir Figure 5).
3. Raccorder le tuyau haute pression à la sortie de la pompe (Voir les figures 5 et 6).
4. Fixer la lance au pistolet (Voir Figure 7).
5. Installer la buse raccord rapide en tirant le collier vers l'arrière et en appuyant pour insérer la buse. Dégager le collier et s'assurer qu'il retrouve sa position initiale sur l'avant et que la buse est fixée correctement (Voir Figure 8).
6. Placer les buses raccord rapide dans le support des buses et fixer ce dernier sur la poignée de la laveuse à pression (Voir Figure 9).



Figure 7 - Fixer la lance au pistolet

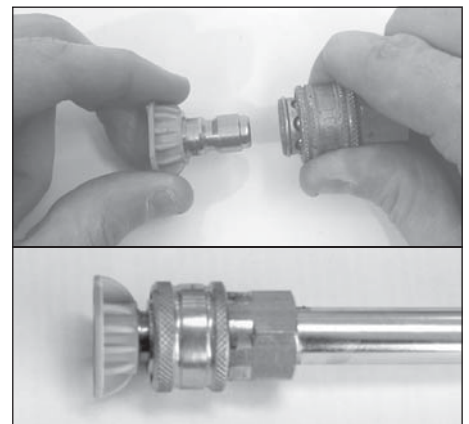


Figure 8 - Installation de la buse raccord rapide

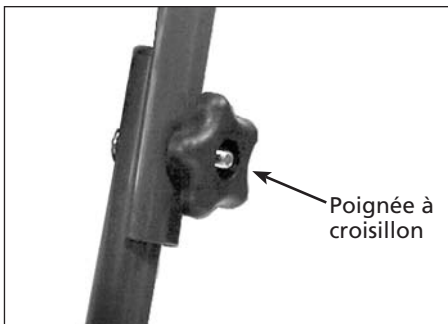


Figure 4 - Assemblage de la poignée

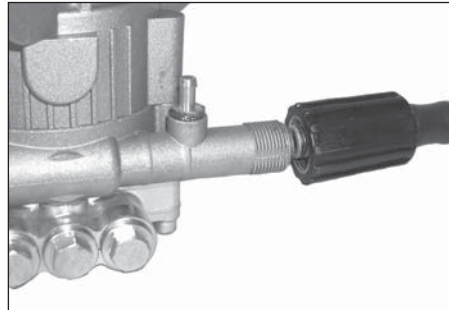


Figure 6 - Raccorder le tuyau haute pression à la pompe

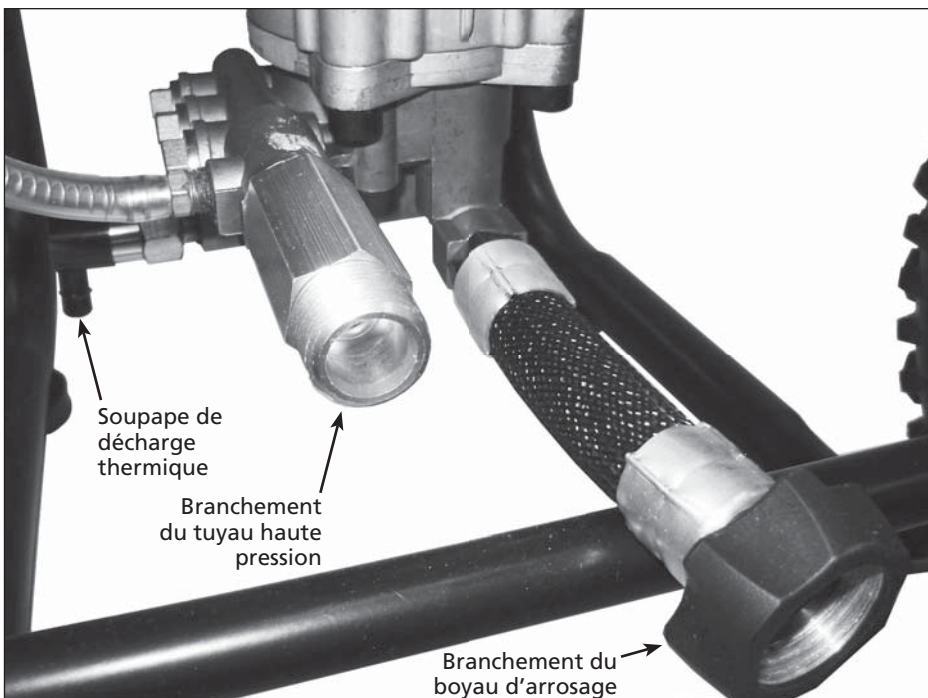


Figure 5 - Branchements de la pompe



Figure 9 - Insérer les buses de pulvérisation dans le support pour buses en caoutchouc



## Assemblage et préopération (Suite)

### VERROU DE SÉCURITÉ DE LA GÂCHETTE

En position engagée, le verrou de sécurité de la gâchette empêche le déclenchement accidentel du pistolet. Poussez entièrement le verrou vers le bas pour l'engager (voir les Figures 10 et 11).

Engagez toujours le verrou de sécurité de la gâchette lorsque vous n'utilisez pas l'appareil.

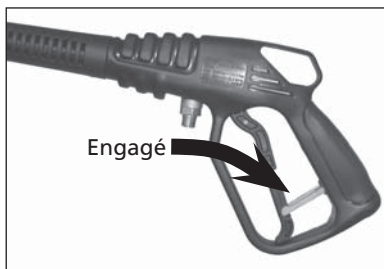


Figure 10 - Gâchette verrouillée

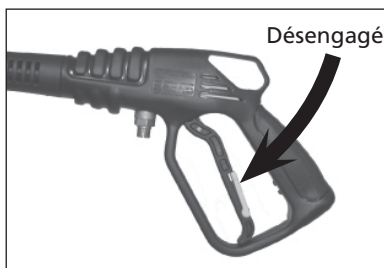


Figure 11 - Gâchette déverrouillée

## Opération

### PRÉPARATION DE LA SURFACE

La procédure de nettoyage suivante vous aide à vous organiser pour la tâche de nettoyage et pour vous assurer d'atteindre les meilleurs résultats dans le temps le plus court. Rappelez-vous d'utiliser les techniques de pulvérisation/ nettoyage mentionnées dans les sections suivantes.

Avant de commencer un travail de nettoyage à haute pression, préparez la surface à nettoyer. Enlevez les meubles et assurez-vous que toutes les fenêtres et portes sont bien fermées. Protégez aussi toutes vos plantes et arbres près du secteur à nettoyer en couvrant d'une toile pour ne pas les pulvériser de détergent.

### DÉMARRAGE

Utilisez TOUJOURS cette procédure de démarrage pour assurer un démarrage exact et sans danger.

#### AVIS

*Si l'eau a gelé dans le pulvérisateur à haute pression, laissez-la dégeler à température ambiante avant de commencer. NE versez PAS d'eau chaude sur ou dans la pompe; les pièces intérieures seraient endommagées.*

1. Vérifiez les niveaux d'huile à moteur. Ajoutez de l'huile au besoin.
2. Vérifiez le niveau d'huile. Ajouter de l'essence sans plomb (valeur nominale d'octane 86 ou plus) au besoin.

#### AVERTISSEMENT

*NE remettez PAS de carburant avec un moteur chaud car cela pourrait causer un incendie. Utilisez seulement de l'essence sans plomb ou régulière propre, fraîche. Fermez le robinet d'arrêt de carburant durant le remplissage.*

3. Fixez un tuyau d'arrosage côté entrée de la pompe et raccordez-le à l'alimentation d'eau. Utilisez un flexibilité de D.I. de 5/8 po et d'une longueur de 50 pi (15 m) ou moins.

#### AVIS

*Certains codes de plomberie locaux exigent un dispositif de prévention de retour d'eau en connectant à une source d'eau fraîche. Installez un dispositif de prévention de retour en amont de la pompe, au besoin.*

- a. Si la pression d'eau d'alimentation dépasse 690 kPa, installez une soupape régulatrice d'eau au raccord du tuyau d'arrosage.

- b. Ne dépassez pas 38° C de température d'eau d'alimentation.

**REMARQUE :** L'approvisionnement d'eau d'alimentation doit avoir un débit minimum de 19 lpm (5 gpm).

4. Ouvrez l'alimentation d'eau.

#### AVIS

*Ne laissez jamais l'appareil fonctionner à sec. Assurez-vous que l'alimentation d'eau est en marche avant de faire fonctionner l'appareil.*

5. Enfoncez et tenez la gâchette du pistolet jusqu'à ce que la pulvérisation d'eau de la buse indique que tout l'air est sorti du système. Placez le verrou de sécurité de gâchette.

6. Ouvrir le robinet à carburant

6. Ouvrir le robinet à carburant en tournant intégralement le bouton dans le sens antihoraire jusqu'à l'arrêt. Fermer le volet de départ (si le moteur est froid) en tournant intégralement l'anneau du volet de départ vers la droite. Placer l'interrupteur d'allumage sur « ON ».

7. Démarrer le moteur. Déverrouiller le verrou de sécurité de la gâchette du pistolet (Voir Figure 11). Agripper la corde de lancement et mettre un pied sur le châssis. Pointer le pistolet dans une direction sûre. Tout en pressant sur la gâchette du pistolet, tirer sur la corde de lancement rapidement et fermement (Voir Figure 12). Continuer à tenir la corde tandis qu'elle revient. Répéter ces étapes jusqu'à ce que le moteur démarre.



Figure 12 - Démarrage du moteur



Figure 13 - Jet étroit à fort impact



Figure 14 - Motif à éventail large



Figure 15 - Angle optimal de nettoyage de la surface

## Opération (Suite)

**ATTENTION** *En tirant le lancement, assurez-vous de garder la main et le bras loin du moteur et des composants du chariot.*

**AVIS** *Ne laissez jamais la corde de lancement revenir par elle-même car cela pourrait bloquer le système de retour.*

8. Si le moteur ne démarre pas après deux ou trois enclenchements ou si la corde est difficile à tirer, pressez la gâchette du pistolet pour dégager la pression accumulée dans le flexible haute pression. Répétez les étapes 7 et 8 jusqu'à ce que le moteur démarre.

## RINÇAGE INITIAL À HAUTE PRESSION

Pulvérisez d'eau la surface à nettoyer pour enlever toute poussière ou saleté accumulée sur la surface. Ceci permet au détergent de s'attacher à la poussière en profondeur qui a pénétré dans la surface à nettoyer.

Enfoncer la gâchette du pistolet 3 à 5 fois pour sortir tout air enfermé dans le système.

## AJUSTER L'ANGLE D'ÉVENTAIL DE PULVÉRISATION

La laveuse à pression est livrée avec cinq buses raccord rapide. Ces buses possèdent des angles de pulvérisation en éventail allant de 0°, (jet étroit à fort impact), à 65°(jet en éventail large).

La pression peut également être réglée en fonction de la proximité par rapport à la surface à nettoyer et en ajustant l'angle du jet en éventail de la manière illustrée.**ANGLE À LA SURFACE DE NETTOYAGE**

La pulvérisation d'eau contre une surface produit un impact maximum parce qu'elle frappe directement la surface. Par contre, ce type d'impact peut entraîner une incrustation des particules de saleté dans la surface et entraver l'action du nettoyage.

L'angle optimal d'eau pulvérisée contre une surface à nettoyer est de 45°.

Pulvériser de l'eau contre une surface à un angle de 45 degrés permet d'obtenir la meilleure force d'impact tout en éliminant efficacement les débris (Voir Figure 19).

## DISTANCE DE LA SURFACE À NETTOYER

La distance entre le bec de pulvérisation et la surface de nettoyage est un autre facteur qui touche la force d'impact de l'eau. La force d'impact de l'eau augmente à mesure que le bec se rapproche de la surface.

## COMMENT ÉVITER D'ENDOMMAGER LES SURFACES

Les dommages aux surfaces à nettoyer se produisent à cause de la force d'impact de l'eau qui dépasse la durabilité de la surface. Vous pouvez varier la force d'impact en contrôlant l'angle du bec de pulvérisation par rapport à la surface de nettoyage et par rapport à la distance de la surface de nettoyage ainsi qu'en changeant le bec de pulvérisation.

N'utilisez JAMAIS de jet étroit à fort impact sur une surface qui pourrait être endommagée. Évitez de pulvériser les fenêtres avec un jet étroit à fort impact. Ceci pourrait casser la fenêtre. Le meilleur moyen d'éviter d'endommager les surfaces est de suivre ces étapes :

1. Avant d'enclencher le fusil, assurez-vous que le bec à raccordement rapide que vous utilisez soit approprié pour l'application.
2. Éloignez le bec de pulvérisation d'environ 1,22 à 1,52 m (4 à 5 pi) de la surface de nettoyage. Puis, maintenez la lance et le bec de pulvérisation à un angle de 45° par rapport à la surface de nettoyage. Tirer de la gâchette du pistolet.
3. Variez l'angle du jet à éventail et la distance à la surface à nettoyer jusqu'à ce que vous atteigniez l'efficacité optimale de nettoyage sans endommager la surface.

La couleur de la buse indique l'angle de pulvérisation :

**Rouge** – 0° – Service maximum \*

**Jaune** – 15° – Service lourde

**Verte** – 25° – Service général \*

**Blanc** – 40° – Service léger \*

**Noir** – 65° – Détergent basse pression

**REMARQUE** : Utiliser une taille d'orifice de 2,5

\* = Non inclus avec cet appareil

## APPLICATION DE DÉTERGENT

**REMARQUE** : Utilisez seulement les détergents formulés pour les pulvérisateurs haute pression. Testez le détergent dans un endroit retiré avant de l'utiliser. Ne pas utiliser de javellisant avec cette laveuse à pression.

## DÉTERGENTS

Utiliser des détergents peut réduire de beaucoup le temps de nettoyage et aider à retirer les taches rebelles. De nombreux détergents sont faits pour le pulvérisateur haute pression pour des tâches de nettoyage précises. Les détergents de pulvérisateur haute pression sont aussi épais que l'eau. Le fait d'utiliser des détergents plus épais - comme le savon de vaisselle - bloquera le système d'injection chimique et empêchera l'application de détergent.

Appliqués sur la surface, les détergents prennent du temps pour s'attaquer à la poussière et à la saleté. Les détergents fonctionnent mieux appliqués à basse pression.

Vous pouvez nettoyer efficacement les surfaces en combinant l'action chimique des détergents avec les rinçages à haute pression. Pour les surfaces verticales, appliquez le détergent en commençant au bas pour aller vers le haut. La méthode empêche le détergent de glisser vers le bas et de faire des coulisses. Commencez le rinçage à haute pression dans le haut en descendant. Pour les taches particulièrement rebelles, utilisez une brosse en plus des détergents et du rinçage haute pression.

1. Suivez les directives du fabricant sur l'étiquette pour les bonnes concentrations de mélange de savon/détergents. La proportion de détergent savon à eau dans la pompe est d'environ 10% (1 à 10).
2. Insérez l'extrémité du filtre du tube de détergent de plastique transparent dans le contenant de détergent.
3. Utilisez le bec noir de pulvérisation à raccordement rapide de 65°.

## Opération (Suite)

### CONSEILS GÉNÉRAUX DE NETTOYAGE

1. Appliquez le détergent pour couvrir entièrement la surface à nettoyer, de bas en haut pour éviter qu'il ne glisse vers le bas et fasse des marques. Attendez quelques minutes pour que le détergent s'attaque à la poussière et à la saleté. Utilisez une brosse pour frotter un peu les endroits rebelles. Ne laissez jamais le détergent sécher sur la surface à nettoyer.
2. Pour rincer : Remplacez le bec noir de pulvérisation de 65° par un bec d'une autre couleur.

**⚠ WARNING** *Ne jamais remplacer le bec à raccordement rapide lorsque le fusil est enclenché. Engagez toujours le verrou d'enclenchement sur le fusil avant de retirer ou d'installer des bacs à raccordement rapide.*

3. Après l'utilisation de détergents, rincez le système d'aspiration en plaçant le tube d'aspiration du détergent dans un seau d'eau propre et en pulvérisant au moyen du bec noir de pulvérisation.

### PUISSANCE DE NETTOYAGE

Le moyen le plus facile de contrôler la puissance de nettoyage de votre nettoyeur à pression est de changer la distance de la surface à nettoyer. Commencez à pulvériser avec un motif large d'éventail tout en vous plaçant à quelques pieds de la surface. Rapprochez-vous lentement de l'objet que vous nettoyez et ajustez le motif de pulvérisation au besoin jusqu'à ce que vous trouviez la technique de nettoyage la plus efficace.

### DERNIER RINÇAGE

Le rinçage final doit se réaliser de haut en bas. Assurez-vous de bien rincer toute la surface et de retirer toute trace de détergent.

### PROCÉDURE DE DÉCOMPRESSION

Pour réduire les risques de blessures ou de dommages à la propriété, suivez toujours cette procédure lorsque la pulvérisation est arrêtée, à la fin du travail et avant de vérifier ou réparer toute pièce du système.

1. Engagez le verrou de sécurité de la gâchette.
2. Fermez l'appareil.
3. Coupez l'alimentation d'eau.
4. Désengagez le verrou de sécurité de la gâchette et pressez sur la gâchette pour décompresser.
5. Réengagez le verrou de sécurité de la gâchette.
6. En vérifiant ou réparant l'appareil, retirez la fiche de la prise murale du mur.
7. Avant de ranger pour la nuit, un rangement à long terme ou le transport de l'appareil, coupez de l'alimentation d'eau.

### ARRÊT

1. Assurez-vous que tout le détergent est vidé du système.
2. Coupez le moteur.
3. Fermez l'alimentation d'eau.
4. Après avoir coupé le moteur et l'alimentation d'eau, engagez le pistolet pour retirer la pression du système.

### AVIS

**NE fermez jamais l'alimentation d'eau avant de couper le moteur. Cela pourrait endommager la pompe et/ou moteur.**

### ⚠ ATTENTION

**NE déconnectez jamais le flexible de décharge de haute pression de l'appareil tandis que le système est sous pression. Décompressez en coupant le moteur, fermant l'alimentation d'eau et pressant la gâchette 2 ou 3 fois.**

5. Après chaque utilisation, essuyez les surfaces du pulvérisateur haute pression avec un chiffon propre et humide.

### RANGEMENT

- Ne rangez pas le pulvérisateur haute pression à l'extérieur.
- Ne rangez pas le pulvérisateur haute pression à un endroit où il pourrait geler à moins de le préparer pour l'hiver.

### Instructions de Rangement à Long Terme (plus de 30 jours)

1. Retirez le carburant du réservoir et faites fonctionner le pulvérisateur haute pression en mode d'opération normal jusqu'à ce que le moteur s'arrête faute de carburant. Ce mode signifie que vous pulvériserez de l'eau du pistolet tandis que le moteur est en marche.  
Autre méthode – Ajoutez du stabilisateur de carburant à l'essence dans le réservoir et faites fonctionner en mode d'opération normal pendant au moins cinq minutes.
2. Coupez le moteur, fermez l'alimentation d'eau et pressez la gâchette pour décompresser dans le flexible haute pression.
3. Déconnectez l'alimentation d'eau et le flexible haute pression de la pompe.
4. Laissez le moteur refroidir.
5. Déconnectez le fil de la bougie et retirez la bougie.
6. Versez 14,8 mL (1/2 oz.) d'huile à moteur dans le trou de la bougie.

### ⚠ AVERTISSEMENT

**Ne tirez jamais la corde de lancement du moteur lorsque la bougie est retirée jusqu'à ce que le trou de la bougie soit couvert car les vapeurs du trou peuvent s'enflammer avec une étincelle.**

7. Placez un chiffon sur le trou de la bougie et tirez lentement sur la corde de lancement plusieurs fois pour distribuer l'huile.

### INSTRUCTIONS POUR L'HIVER

1. Suivez et respectez les instructions de rangement à long terme.
2. Déconnectez le fil.
3. Déconnectez le flexible haute pression de la pompe.
4. Insérez une longueur de tuyau d'arrosage de 30,5 cm à 35,6 cm (12 po à 14 po) dans l'entrée de la pompe.
5. Placez un entonnoir dans l'autre extrémité du tuyau d'arrosage.

### AVIS

**Lisez les instructions du fabricant pour manipuler et éliminer correctement l'antigel RV.**

6. Versez environ 0,18 L d'antigel RV dans l'entonnoir.

## Opération (Suite)

- Tirez la corde de lancement plusieurs fois jusqu'à ce que l'antigel sorte de la sortie de la pompe.
- Déconnectez le flexible haute pression du pistolet et drainez le flexible. Tenez le pistolet et la tige en position verticale et pressez la gâchette pour drainer toute l'eau.

### CONSEILS POUR PROLONGER LA DURÉE DE VIE DE VOTRE PULVERIZATEUR HAUTE PRESSION

- Ne faites jamais fonctionner l'appareil sans eau.
- Votre pulvérisateur haute pression ne doit pas pomper d'eau chaude. Ne connectez jamais votre pulvérisateur haute pression à une source d'eau chaude car cela réduira de beaucoup la vie de la pompe.
- Faire fonctionner l'appareil pendant plus d'une minute sans pulvériser d'eau fera accumuler la chaleur dans la pompe. Faire fonctionner l'appareil sans pulvériser d'eau pourrait endommager les composants de la pompe.

### Entretien

Respectez les intervalles d'entretien régulier pour assurer une performance maximum et une longue durée de vie du pulvérisateur. Reportez-vous à l'horaire d'entretien recommandé. Si vous faites fonctionner votre pulvérisateur haute pression dans des conditions poussiéreuses, faites les vérifications d'entretien plus souvent.

### INSTRUCTIONS DE CHANGEMENT D'HUILE À MOTEUR

Purger l'huile du moteur pendant qu'il est chaud. L'huile chaude se vide rapidement et complètement.

- Tourner le robinet à carburant sur la position OFF pour limiter le risque de fuite d'essence.
- Placer un récipient adapté à proximité du moteur pour récupérer l'huile usagée.
- Retirer le bouchon de remplissage d'huile et la jauge, puis purger l'huile dans le récipient en basculant le moteur du côté du col de remplissage d'huile.

Veillez mettre au rebut l'huile de moteur usagée dans le respect des pratiques environnementales. Nous vous suggérons de recueillir l'huile usagée dans un récipient étanche et de l'apporter dans un centre de recyclage ou une station service de récupération. Ne pas jeter à la poubelle ni jeter par terre ou verser dans les égouts.

- Le moteur étant à niveau, remplir avec l'huile recommandée jusqu'à la graduation de limite supérieure indiquée sur la jauge.

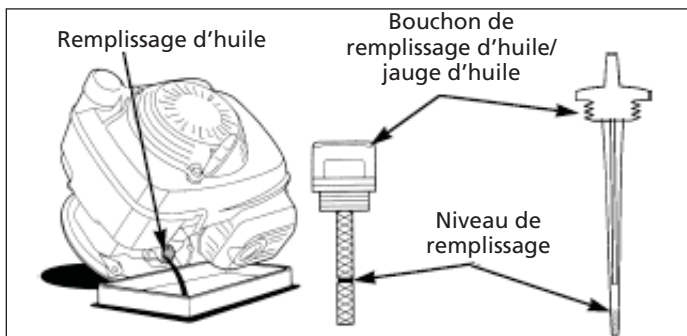


Figure 16 - Vidange d'huile et endroit pour le remplissage d'huile

### AVIS

*Le fait de faire tourner le moteur lorsque le niveau d'huile est insuffisant risque de*

*l'endommager.*

- Remettre en place le bouchon de remplissage d'huile avec sa jauge et s'assurer qu'ils sont bien fixés.

### INSTRUCTIONS RELATIVES À LA VIDANGE DE LA POMPE

Il est nécessaire de procéder au démontage de la pompe pour la vidanger ou la remplir d'huile. Cette procédure est habituellement inutile excepté en la présence d'une fuite d'huile lorsque les joints d'étanchéité de la pompe sont usés ou endommagés. En cas de fuite d'huile au niveau de la pompe, apporter la laveuse à pression dans un centre de service Campbell Hausfeld agréé pour la faire réparer.

### HORAIRE D'ENTRETIEN

HORAIRE D'ENTRETIEN	MESURE À PRENDRE
Chaque jour	<ul style="list-style-type: none"> <li>Vérifiez l'écran et le filtre d'entrée d'eau.</li> <li>Vérifiez les niveaux d'huile à moteur. Remplissez au besoin.</li> <li>Vérifiez le niveau d'essence. Remplissez au besoin.</li> </ul>
Après les 5 premières heures d'opération	<ul style="list-style-type: none"> <li>Changer l'huile de rodage du moteur. Utiliser une huile détergente 10W-30 pour automobile. Voir le Manuel du propriétaire Honda pour plus de précisions.</li> </ul>
Toutes les 25 heures d'opération	<ul style="list-style-type: none"> <li>Changez l'huile si vous utilisez sous des charges lourdes ou à température ambiante élevée.</li> <li>Nettoyer ou remplacer la cartouche du filtre à air en papier. Tapoter délicatement pour retirer la saleté.</li> </ul>
Toutes les 50 heures d'opération	<ul style="list-style-type: none"> <li>Changez l'huile.</li> <li>Remplacez la bougie.</li> </ul>
Toutes les 100 heures d'opération ou tous les 3 mo	<ul style="list-style-type: none"> <li>Remplacer la cartouche du filtre à air sec en papier.</li> <li>Changez l'huile du moteur.</li> </ul>

## Opération (Suite)

### INFORMATION TECHNIQUE ET POUR LES CONSOMMATEURS

#### INFORMATION TECHNIQUE ET ENTRETIEN

<b>PULVÉRIZATEURS HORIZONTALES HAUTE PRESSION</b>	
Type d'huile à moteur	SAE 10W-30 SAE 30W (plus de 15° C)
Capacité de l'huile à moteur	
Moteurs Honda	0,55 L
Capacité de carburant du moteur	
Moteurs Honda	1,10 L
Type d'huile de pompe	
Pompes à plateau oscillant	Huile pour engrenage 80w90
Capacité d'huile de pompe	
Pompes verticales à plateau oscillant	0,08 L
Aspiration de détergent de la pompe	
Ratio eau à détergent	8 à 1 (12% détergent)
Exigences en alimentation d'eau	
Pression d'entrée minimum	138 kPa
Pression d'entrée maximum	690 kPa
Température d'entrée maximum	38° C
Débit d'entrée minimum	19 Lpm
Taille de tuyau d'arrosage d'entrée	15,9 (5/8 po) D.I.
Longuer max. du tuyau d'arrosage	15,2 m (50 pieds)

### SERVICE TECHNIQUE

Pour des informations concernant le fonctionnement ou la réparation de ce produit, composer le 1-800-330-0712.

### INFORMATION CONCERNANT LES PIÈCES DE RECHANGE

Pour des renseignements sur la commande de pièces de rechange, appeler sans coût le numéro 1-800-330-0712.

S'il vous plaît fournir l'information suivante:

- Numéro de Modèle
- Code estampé
- No. et Description de Pièce

Correspondance Concernant les Pièces:

Campbell Hausfeld  
100 Production Drive  
Harrison, Ohio 45030 U.S.A.

## Guide Général De Dépannage

SYMPTÔME	CAUSE(S) POSSIBLE(S)	MESURE(S) CORRECTIVE(E)
Le moteur ne démarre pas ou démarre difficilement	<ol style="list-style-type: none"> <li>1. Aucune essence dans le réservoir de carburant ou dans le carburateur</li> <li>2. Niveau d'huile faible</li> <li>3. Commutateur démarrage/arrêt est en position d'arrêt</li> <li>4. De l'eau dans l'essence ou carburant vieux</li> <li>5. Filtre d'air sale</li> <li>6. Bougies sales, mauvais écart ou mauvais type</li> <li>7. Pistolet de pulvérisation fermé</li> <li>8. Autres causes</li> </ol>	<ol style="list-style-type: none"> <li>1. Remplissez le réservoir d'essence, ouvrez la soupape d'arrêt. Vérifiez la conduite d'essence et le carburateur</li> <li>2. Vérifiez le niveau d'huile. Remplissez au besoin</li> <li>3. Déplacez le commutateur en position de démarrage</li> <li>4. Vidangez le réservoir de carburant et le carburateur. Utilisez du nouveau carburant et asséchez la bougie</li> <li>5. Retirez, nettoyez et remplacez</li> <li>6. Nettoyez, ajustez l'écart ou remplacez</li> <li>7. Pressez la gâchette de pulvérisation</li> <li>8. Consultez le manuel du propriétaire du moteur</li> </ol>
Râtes du moteur ou manque de puissance	<ol style="list-style-type: none"> <li>1. Filtre d'air partiellement bloqué</li> <li>2. Bougies sales, mauvais écart ou mauvais type</li> </ol>	<ol style="list-style-type: none"> <li>1. Retirez, nettoyez et remplacez</li> <li>2. Nettoyez, ajustez l'écart ou remplacez</li> </ol>
Faible pression et/ou pompe tourne de manière irrégulière	<ol style="list-style-type: none"> <li>1. Embout usé ou de mauvaise taille</li> <li>2. Filtre d'entrée de la pompe bloquée</li> <li>3. Joints hydrauliques usés, abrasifs dans l'eau ou usure normale</li> <li>4. Entrée ou soupapes de décharge polluées ou sales</li> <li>5. Entrée restreinte</li> <li>6. Entrée ou soupapes de décharge usées</li> <li>7. Fuite de flexible haute pression</li> <li>8. Pompe aspire de l'air</li> <li>9. Joint de soupape de décharge défectueux ou usé</li> </ol>	<ol style="list-style-type: none"> <li>1. Remplacez en utilisant un embout de la bonne taille</li> <li>2. Nettoyez. Vérifiez plus souvent</li> <li>3. Vérifiez le filtre. Remplacez les joints hydrauliques. Consulter un centre de service ou appeler le service à la clientèle pour obtenir des trousse de remplacement.</li> <li>4. Nettoyez les assemblages de soupape de décharge et d'entrée. Vérifiez le filtre</li> <li>5. Vérifiez le tuyau d'arrosage qui pourrait être enfoncé ou tortillé. Vérifiez le débit d'eau d'entrée</li> <li>6. Remplacez les soupapes usées</li> <li>7. Remplacez le flexible haute pression</li> <li>8. Assurez-vous que les tuyaux et raccords soient bien serrés</li> <li>9. Vérifiez et remplacez</li> </ol>
Fuite d'eau sous le collecteur de pompe	Joints hydrauliques usés	Installez de nouveaux joints hydrauliques. Consulter un centre de service ou appeler le service à la clientèle pour obtenir des trousse de remplacement.
De l'eau dans le carter de la pompe (huile crémeuse)	<ol style="list-style-type: none"> <li>1. Condensation d'air humide dans le carter</li> <li>2. Fuites d'huile</li> </ol>	<ol style="list-style-type: none"> <li>1. Changez l'huile tel qu'indiqué dans l'horaire d'entretien</li> <li>2. Installez de nouveaux joints d'huile. Consulter un centre de service ou appeler le service à la clientèle pour obtenir des trousse de remplacement.</li> </ol>

*Suite Page Suivante*

## Guide Général De Dépannage (Suite)

SYMPTÔME	CAUSE(S) POSSIBLE(S)	MESURE(S) CORRECTIVE(E)
Défaillance fréquente ou prématurée des joints hydrauliques de la pompe	<ol style="list-style-type: none"> <li>1. Pistons usés ou endommagés et rayés</li> <li>2. Matériau abrasif dans le fluide</li> <li>3. Température d'eau d'entrée trop élevée</li> <li>4. Surpression de la pompe</li> <li>5. Trop de pression suite à un embout endommagé ou partiellement bloqué</li> <li>6. Pompe tourne trop long temps sans pulvériser</li> <li>7. Pompe tourne à sec</li> </ol>	<ol style="list-style-type: none"> <li>1. Installez de nouveaux pistons. Consulter un centre de service ou appeler le service à la clientèle pour obtenir des trousse de remplacement.</li> <li>2. Installez la bonne filtration sur la plomberie d'entrée de la pompe</li> <li>3. Vérifiez la température de l'eau; ne doit pas dépasser 38°C.</li> <li>4. Ne modifiez pas les réglages en usine</li> <li>5. Nettoyez ou remplacez l'embout</li> <li>6. Ne faites jamais fonctionner la pompe pendant plus de 2 minutes sans pulvériser</li> <li>7. Ne pompez pas sans eau</li> </ol>
Forte pompage à l'entrée et faible pression	Particules étrangères dans la soupape d'entrée ou de décharge ou soupapes de décharge et/ou entrée usées	Nettoyez ou remplacez les soupapes. Consulter un centre de service ou appeler le service à la clientèle pour obtenir des trousse de remplacement.
Fuite d'huile entre le moteur et la pompe	Joints d'huile et/ou joint torique usés	Consulter un centre de service ou appeler le service à la clientèle pour obtenir des trousse de remplacement.
Pression fluctuante	<ol style="list-style-type: none"> <li>1. Soupape usée, sale ou bloquée</li> <li>2. Pompe aspire de l'air</li> <li>3. Embout bloqué</li> </ol>	<ol style="list-style-type: none"> <li>1. Vérifiez et remplacez</li> <li>2. Assurez-vous que les flexibles et raccords sont serrés. Drainez l'air du tuyau d'arrosage</li> <li>3. Vérifiez ou remplacez</li> </ol>
Chutes de pression après la période d'utilisation normale	<ol style="list-style-type: none"> <li>1. WJoints hydrauliques de pompe usés</li> <li>2. Gicleur usé</li> <li>3. Soupape usée, sale ou bloquée</li> <li>4. Joint de soupape de décharge usé ou sale</li> <li>5. Gicleur en position de faible kPa</li> </ol>	<ol style="list-style-type: none"> <li>1. Vérifiez et remplacez</li> <li>2. Vérifiez et remplacez</li> <li>3. Vérifiez, nettoyez ou remplacez</li> <li>4. Vérifiez, nettoyez ou remplacez</li> <li>5. Ramenez le gicleur à la position de haute pression</li> </ol>
Pompe bruyante/pompe fonctionne de manière irrégulière	<ol style="list-style-type: none"> <li>1. Pompe aspire de l'air/faible alimentation d'eau</li> <li>2. Soupapes sales ou usées</li> <li>3. Roulements usés</li> <li>4. Eau trop chaude</li> </ol>	<ol style="list-style-type: none"> <li>1. Assurez-vous que les raccords sont bien serrés. Augmentez la pression d'eau</li> <li>2. Vérifiez, nettoyez ou remplacez</li> <li>3. Vérifiez et remplacez</li> <li>4. Réduisez la température sous 38°C</li> </ol>
Ne tire pas de détergent	<ol style="list-style-type: none"> <li>1. L'embout n'est pas poussé assez loin</li> <li>2. Blocage, tortillement ou trou dans le flexible d'aspiration du détergent</li> <li>3. Flexible trop long</li> <li>4. Le jet ne fonctionne pas correctement</li> </ol>	<ol style="list-style-type: none"> <li>1. Poussez l'embout vers l'avant aussi loin que possible</li> <li>2. Si c'est propre, étirez ou remplacez le flexible.</li> <li>3. Utilisez seulement la longueur fournie lors de l'achat initial du pulvérisateur haute pression. L'aspiration de détergent ne fonctionne pas si plus d'une section de flexible est fixé à l'appareil.</li> <li>4. Retirez le jet du pistolet. Si le détergent est distribué par le pistolet, le jet doit être remplacé. Si aucun détergent n'est distribué par le pistolet, retirez 2,54 cm (1 po) de tétine de détergent effilée de la pompe. Nettoyez la tétine et assurez-vous que la boule et le ressort soient bien alignés avec la partie effilée du ressort face à la boule. La boule devrait être sur le ressort.</li> </ol>

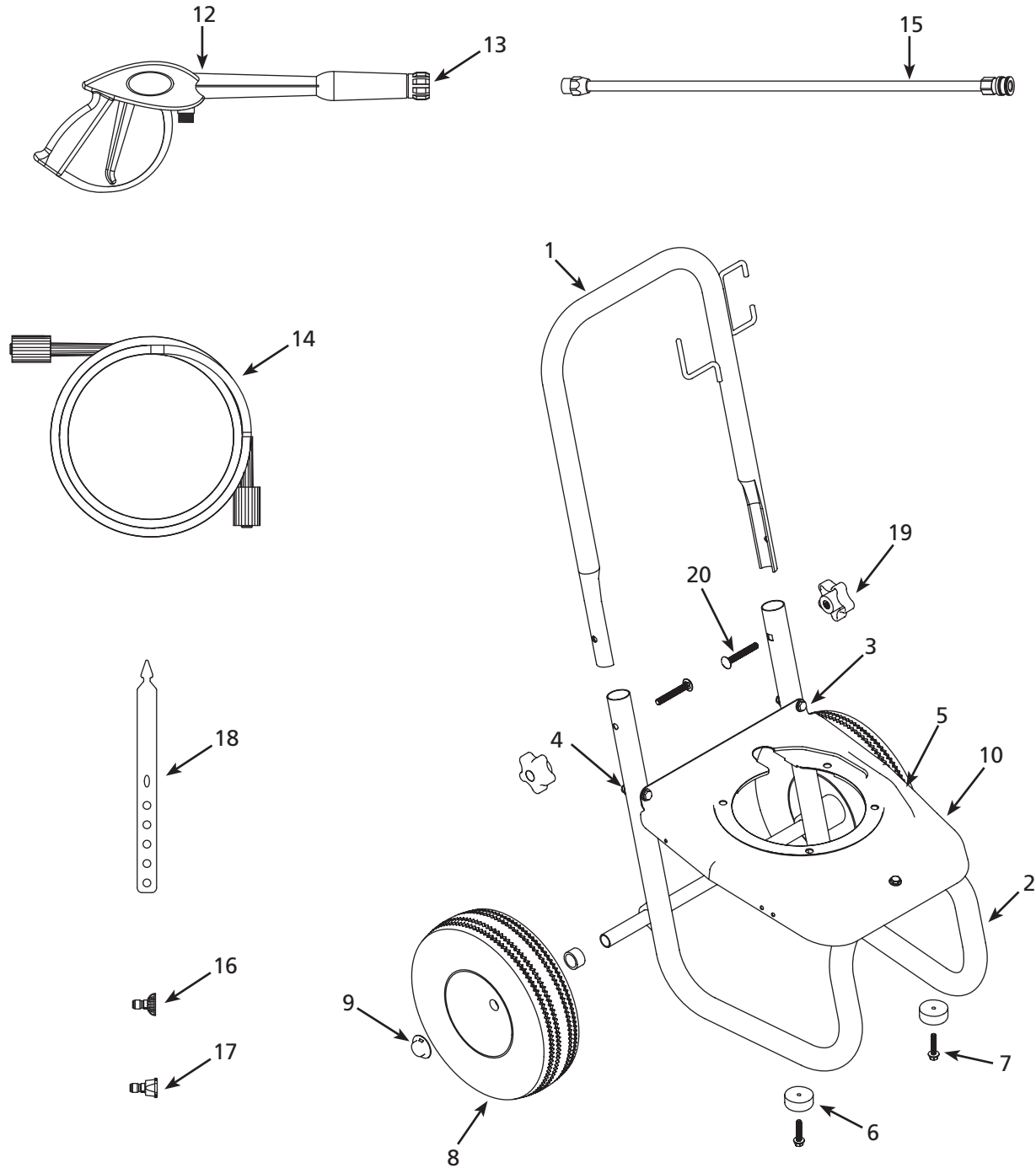
**Pour pièces de rechange ou assistance technique, appeler 1-800-330-0712**

*S'il vous plaît fournir l'information suivante :*

- Numéro de Modèle
- Numéro de série (si présent)
- Description et numéro de la pièce

*Adresser toute correspondance à :*

Campbell Hausfeld  
Attn: Customer Service  
100 Production Drive  
Harrison, OH 45030 U.S.A.



**Figure 17 – Illustration des pièces de réparation**



## Liste de Pièces de Rechange

No. de Ref.	Description	Numéro de pièce	Qté.
1	Manche	PM344057KK	1
2	Cadre	PM344766KK	2
3	Noir Rondelle plate de 1/4 po (6,4 mm)	PM002000AV, *	6
4	Rondelle plate	ST073808AV, *	3
5	Boulon, 1/4 po - 20 (base)	PM001902AV, *	3
6	Parechocs en caoutchouc	AL062300AV	2
7	Vis autotaraudeuse 1/4 po -20 x 3/4 po	MJ102100AV, *	2
8	Roue	WA005621AV	2
9	Écrou poussoir (2)	PM344775SJ	2
10	Plaque de base	PM344725KK	1
11	Tube de détergent (pas indiqué)	PM013800AV	1
12	Pistolet	PM351377AV	1
13	Joint torique (pistolet) (pas indiqué)	PM245800SV	1
14	Tuyau	PM005015AV	1
15	Lance	PM351378AV	1
16	Buse, 15° (Jaune)	PM039696AV	1
17	Buse, 65° (Noir)	PM039820AV	1
18	Porte-buse, buse raccord rapide	PM344304AV	1
19	Poignée à croisillon (2 pcs.)	PM344773SJ	2
20	Écrou de chassis (2 pcs.)	PM344774SJ	2

### Accessoires de buse disponibles pour le modèle PW2570 (non fournies avec l'appareil)

Buse, 0° (Rouge)	PM039695AV
Buse, 25° (Vert)	PM039697AV
Buse, 40° (Blanc)	PM039698AV

\* Article normal de quincaillerie

★ Pour l'entretien du moteur ou des pièces de rechange, appeler Honda au 1-800-426-7701

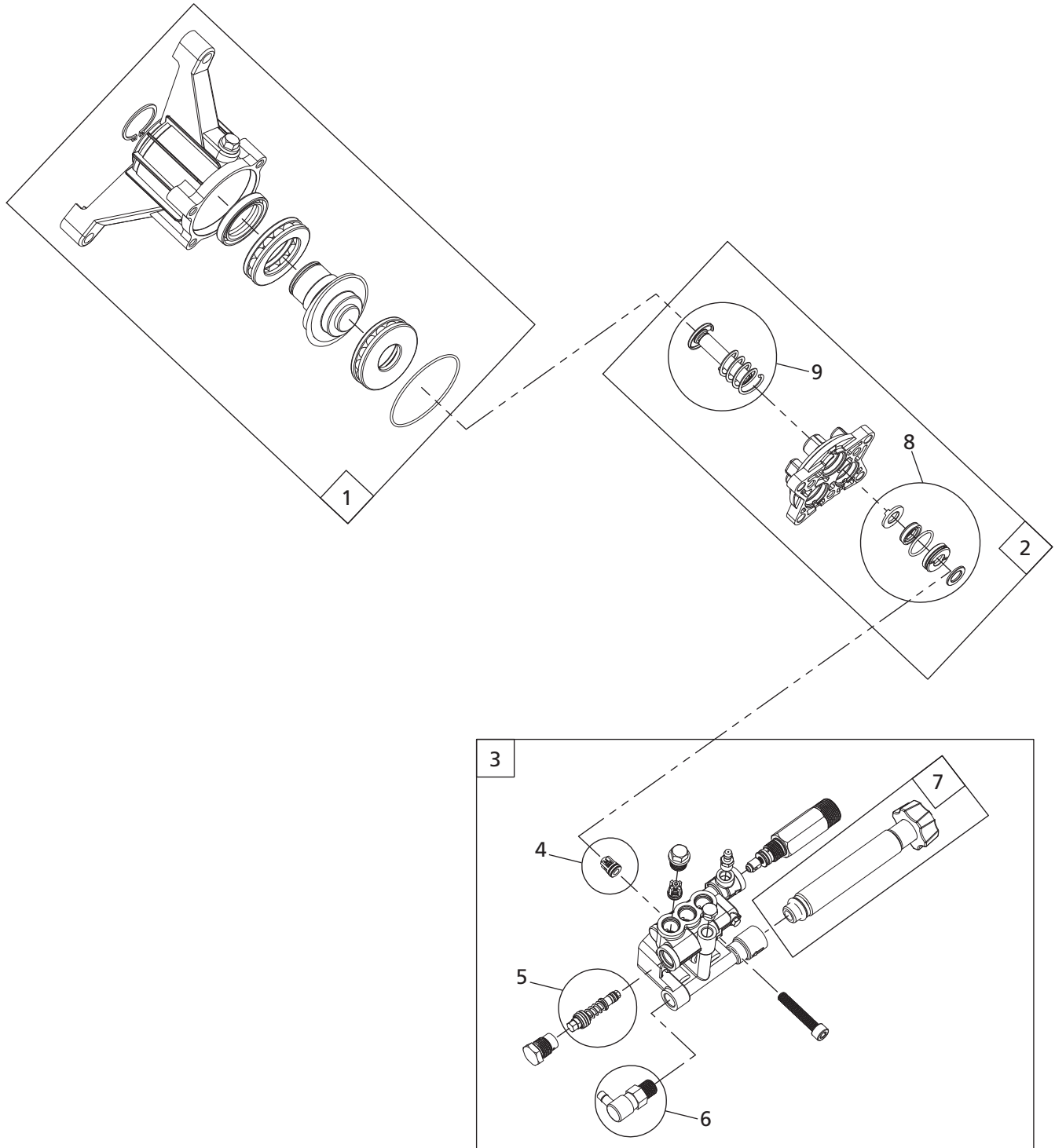
**Pour pièces de rechange ou assistance technique, appeler 1-800-330-0712**

*S'il vous plaît fournir l'information suivante :*

- Numéro de Modèle
- Numéro de série (si présent)
- Description et numéro de la pièce

*Adresser toute correspondance à :*

Campbell Hausfeld  
Attn: Customer Service  
100 Production Drive  
Harrison, OH 45030 U.S.A.



**Figure 18 – Illustration des pièces de réparation**

## Liste de Pièces de Rechange

No. de Ref.	Description	Numéro de pièce	Qté.
1	Assemblage du réservoir inférieur	PM351305SV	1
2	Ensemble du bloc pompe	PM351310SV	1
3	Ensemble de la tête de pompe	PM351365SV	1
4	Trousse de soupapes (comporte 6 valves)	PM351331SV	1
5	Soupape de décharge	PM351332SV	1
6	Soupape de décharge thermique	PM351325SV	1
7	Assemblage du tuyau d'entrée	PM351320SV	1
8	Trousse de joint d'étanchéité d'eau	PM351330SV	1
9	Trousse de pistons (jeu de 3)	PM351333SV	1

Spécifications de couple (kg-cm)	
Description	Couple
Soupape de soulagement thermique	110
Ardillon de tuyau	100
Boulon à tête	110
Capacité d'huile: 0,08 L	
Type d'huile: Huile pour engrenage 80w90	

---

**ENREGISTREZ VOTRE PRODUIT EN LIGNE MAINTENANT !**  
**[www.campbellhausfeld.com](http://www.campbellhausfeld.com)**

---

## **Garantie Limitée**

1. **DURÉE:** À partir de la date d'achat par l'acheteur originel comme suit: Trois (3) ans d'appareil de laveuse à pression, deux (2) ans de pompe et moteur et 90 jours pour les articles d'usure.
2. **GARANTIE ACCORDÉE PAR (GARANT):** Campbell Hausfeld / Scott Fetzer Company, 100 Production Drive, Harrison, OH 45030, Téléphone: (800) 330-0712.
3. **BÉNÉFICIAIRE DE CETTE GARANTIE (ACHETEUR):** L'acheteur originel (sauf en cas de revente) du pulvérisateur de lavage Campbell Hausfeld.
4. **PRODUITS COUVERTS PAR CETTE GARANTIE:** Cette Pulvérisateurs de Lavage Campbell Hausfeld.
5. **COUVERTURE DE LA PRÉSENTE GARANTIE:** Défauts de matière et de fabrication considérables qui se révèlent pendant la période de validité de la garantie avec les exceptions indiquées ci-dessous.
6. **LA PRÉSENTE GARANTIE NE COUVRE PAS:**
  - A. Les garanties implicites, y compris celles de commercialisabilité et D'ADAPTION À UNE FONCTION PARTICULIÈRE SONT LIMITÉES À PARTIR DE LA DATE D'ACHAT INITIALE TELLE QU'INDIQUÉE DANS LA SECTION DURÉE. Quelques Provinces (États) n'autorisent pas de limitations de durée pour les garanties implicites. Les limitations précédentes peuvent donc ne pas s'appliquer.
  - B. TOUT DOMMAGE, PERTE OU DÉPENSE FORTUIT OU INDIRECT POUVANT RÉSULTER DE TOUT DÉFAUT, PANNE OU MAUVAIS FONCTIONNEMENT DU PULVÉRISATEUR CAMPBELL HAUSFELD. Quelques Provinces (États) n'autorisent pas l'exclusion ni la limitation des dommages fortuits ou indirects. La limitation ou exclusion précédente peut donc ne pas s'appliquer.
  - C. Toute panne résultant d'un accident, de dommage pendant l'expédition, d'une utilisation abusive, de la négligence ou d'une utilisation ne respectant pas les instructions données dans le(s) manuel(s) accompagnant le produit.
  - D. Service avant livraison; montage, huile ou lubrifiants, et réglages par exemple.
  - E. Articles ou service normalement requis pour l'entretien du pulvérisateur de lavage.
  - F. Articles additionnels qui ne sont pas couverts sous cette garantie:
    1. Articles d'usure normal tels que; tuyaux haute pression, joints d'huile et hydrauliques, joints toriques, soupapes, lances, et buses de pulvérisation.
    2. Les défauts esthétiques qui n'affectent pas la fonction.
    3. Pièces détachées rouillées.
    4. Usure de la pompe ou le dommage aux soupapes causé par l'utilisation de type d'huile incorrect, la contamination de l'huile ou par le manque de suivre les directives d'entretien d'huile.
  - G. Moteur à essence et composants sont expressément exclus de la couverture de cette garantie limitée. Ces composants doivent être retournés par l'acheteur au fabricant d'origine ou à ses stations de réparation agréées pour réaliser des réparations.
7. **RESPONSABILITÉS DU GARANT AUX TERMES DE CETTE GARANTIE:** Réparation ou remplacement, au choix du Garant, du pulvérisateur de lavage ou de pièce détachée qui se sont révélés défectueux pendant la durée de la garantie.
8. **RESPONSABILITÉS DE L'ACHETEUR AUX TERMES DE CETTE GARANTIE:**
  - A. Fournir une preuve d'achat datée et un état d'entretien.
  - B. La livraison ou expédition du pulvérisateur de lavage ou pièce détachée Campbell Hausfeld au Centre De Service Autorisé Campbell Hausfeld. Taux de frais, si applicables, sont la responsabilité de l'acheteur.
  - C. Utilisation et entretien du pulvérisateur de lavage avec un soin raisonnable, ainsi que le décri(vent)t le(s) manuel(s) d'utilisation.
9. **RÉPARATION OU REMPLACEMENT EFFECTUÉ PAR LE GARANT AUX TERMES DE LA PRÉSENTE GARANTIE:** La réparation ou le remplacement sera prévu et exécuté en fonction de la charge de travail dans le centre de service et dépendra de la disponibilité des pièces de rechange.

Cette Garantie Limitée s'applique aux É.-U., au Canada et au Mexique seulement et vous donne des droits juridiques précis. L'acheteur peut également jouir d'autres droits qui varient d'une Province, d'un État ou d'un Pays à l'autre.

---

**MÉMENTO: Gardez votre preuve datée d'achat à fin de la garantie!**  
**Joignez-la à ce manuel ou classez-la dans un dossier pour plus de sécurité.**

---

Por favor lea y guarde estas instrucciones. Léelas cuidadosamente antes de tratar de montar, instalar, operar o dar mantenimiento al producto aquí descrito. Protéjase usted mismo y a los demás observando toda la información de seguridad. ¡El no cumplir con las instrucciones puede ocasionar daños, tanto personales como a la propiedad! Guarde estas instrucciones para referencia en el futuro.



# Lavadoras a presión con motor a gasolina

¡REGISTRE SU PRODUCTO EN LÍNEA AHORA MISMO!

<http://www.campbellhausfeld.com>



Figura 1

## Especificaciones

Modelo	Honda Motor	Bomba	PRESIÓN	FLUJO	BOQUILLA
PW2570	GCV160	Pistón axial tambaleado	193,05 BAR / 2800 psi	9,4 L/M	N.º 2.5

Sírvase registrar el N° de modelo y el N° de serie para usarlos cuando se ponga en contacto con el fabricante:

N° de modelo: \_\_\_\_\_

N° de serie: \_\_\_\_\_

Fecha de compra: \_\_\_\_\_

Lugar de compra: \_\_\_\_\_

Para mayor información sobre este producto, comuníquese con el distribuidor de Campbell Hausfeld más cercano a su domicilio.

## Descripción

Estas lavadoras a presión a gasolina para el consumidor están diseñadas para proyectos de pequeños a medianos. Son estupendas para proyectos en talleres de mantenimiento, granjas, hogares o edificios, senderos o aceras de concreto y equipo pesado.

Todos los carros tienen una estructura de acero duradera, están soldados y cubiertos con pintura pulverizada para una larga duración. Estas lavadoras a presión son orgullosamente fabricadas en Kentucky con motores Honda confiables y de trabajo pesado.

**LEA Y SIGA TODAS LAS INSTRUCCIONES**

**GUARDE ESTAS INSTRUCCIONES – NO LAS DESECHE**

## Medidas de Seguridad

Este manual contiene información que es muy importante que sepa y comprenda. Esta información se la suministramos como medida de SEGURIDAD y para EVITAR PROBLEMAS CON EL EQUIPO. Debe reconocer los siguientes símbolos.

**⚠ PELIGRO** Esto le indica que hay una situación inmediata que LE OCASIONARIA la muerte o heridas de gravedad.

**⚠ ADVERTENCIA** Esto le indica que hay una situación que PODRIA ocasionarle la muerte o heridas de gravedad.

**⚠ PRECAUCION** Esto le indica que hay una situación que PODRIA ocasionarle heridas no muy graves.

**⚠ AVISO** Esto le indica una información importante, que de no seguirla, le podría ocasionar daños al equipo.

**RECORDATORIO:** ¡Guarde su comprobante de compra con fecha para fines de la garantía! Adjúntela a este manual o archívela en lugar seguro.

**LEA Y SIGA TODAS LAS INSTRUCCIONES • GUARDE ESTAS INSTRUCCIONES • NO LAS DESECHE**

## Medidas de Seguridad (Continuación)

**NOTA:** Nota indica información adicional referente al producto o a su uso correcto.

### Informaciones Generales de Seguridad

#### INSTRUCCIONES EN REFERENCIA AL PELIGRO DE INCENDIOS, CHOQUE ELÉCTRICO O LESIONES PERSONALES

Este manual contiene información sobre seguridad, funcionamiento y mantenimiento. Si tiene preguntas, llame al 1-800-330-0712 para obtener asistencia al cliente.

**⚠ ADVERTENCIA** *Cuando se usen herramientas, siempre se deberán seguir precauciones básicas, incluyendo las siguientes:*

#### PROPOSICIÓN 65 DE CALIFORNIA

**⚠ ADVERTENCIA** *Este producto y su cable de corriente contienen plomo, un químico que es conocido por el Estado de California como causante de cáncer y defectos de nacimiento u otros daños reproductivos. Lávese las manos después de manipularlo.*

#### GENERAL

- Para reducir el riesgo de choque eléctrico, incendio y lesiones personales, lea todas las instrucciones antes de usar la herramienta. Si no respeta las advertencias, los riesgos y las recomendaciones, eso podría resultar en la MUERTE o en LESIONES GRAVES.
- Familiarícese con los controles y el uso adecuado del equipo. Siga todas las instrucciones. Póngase en contacto con su representante Campbell Hausfeld si tiene alguna pregunta.
- Sólo se les debe permitir usar esta unidad a aquellas personas bien familiarizadas con estas reglas de manejo seguro.
- Cumpla con todos los códigos de seguridad así como también con la Ley de salud y seguridad ocupacional (OSHA).



#### ÁREA DE TRABAJO

- Mantenga a todas las personas alejadas del área de funcionamiento.
- Mantenga el área de trabajo limpia y bien iluminada. Los bancos desordenados y las áreas oscuras aumentan el riesgo de choque eléctrico, incendio y lesiones personales.
- No haga funcionar la herramienta en entornos explosivos, como por ejemplo cuando haya polvo, líquidos o gases inflamables. La herramienta puede crear chispas y provocar la ignición de polvo o vapores.
- NUNCA rocíe líquidos inflamables ni use la lavadora a presión en áreas que contengan polvo, líquidos o vapores combustibles.
- Nunca ponga esta máquina en funcionamiento en un edificio cerrado o dentro o cerca de un entorno explosivo.



#### SEGURIDAD PERSONAL

- Manténgase alerta. Mire lo que está haciendo y use el sentido común cuando haga funcionar la herramienta. No use la herramienta si está cansado o bajo la influencia de drogas,



alcohol o medicamentos. Un momento de desatención mientras hace funcionar la herramienta aumenta el riesgo de lesiones personales.

- Vístase adecuadamente. No use alhajas ni vestimenta suelta. Sujétese el cabello largo. Mantenga el cabello, vestimenta y guantes alejados de las piezas móviles. La vestimenta suelta, las alhajas o el cabello largo aumentan el riesgo de lesiones personales como resultado de quedar atrapados en las piezas móviles.
- No intente alcanzar lugares alejados. Mantenga un buen soporte y equilibrio en todo momento. Un soporte y equilibrio adecuados permiten un mejor control de la herramienta en situaciones inesperadas.

**⚠ ADVERTENCIA** *Riesgo de inyección o lesiones graves. Manténgase alejado de la boquilla. No descargue chorros hacia las personas. Este producto está diseñado para que lo usen únicamente operadores capacitados. Siempre retire la lanza de la pistola antes de limpiar la suciedad de la boquilla.*



- Manténgase alejado de la boquilla. NUNCA dirija el rociado de alta presión a ninguna persona, animal ni a usted mismo.
- NUNCA coloque las manos o los dedos sobre la boquilla rociadora durante el funcionamiento de la unidad.
- NUNCA intente detener ni desviar las pérdidas con partes de su cuerpo.



**⚠ ADVERTENCIA** *Asegurarse de que la herramienta se use únicamente cuando el operador y todo el resto del personal en el área de trabajo estén usando equipo de protección ocular ANSI Z87, y cuando sea necesario, demás equipo de protección adecuado como para la protección de la cabeza, protección auditiva, guantes, botas de goma, ropa de protección al operar el equipo y realizar el mantenimiento. Pueden ocasionarse lesiones graves o permanentes de ojos y oídos.*

#### USO Y CUIDADO DE LA HERRAMIENTA

**⚠ ADVERTENCIA** *No ejerza presión que exceda la presión de funcionamiento de cualquiera de las piezas (mangueras, accesorios, etc.) en el sistema presurizado. Asegúrese de que todo el equipo y los accesorios estén clasificados para soportar la máxima presión de funcionamiento de la unidad.*



- Cuide su herramienta. Una herramienta mantenida adecuadamente reduce el riesgo de problemas y es más fácil de controlar.
- Asegúrese de que los dispositivos de seguridad estén funcionando correctamente antes de cada uso. NO quite ni modifique ninguna pieza de la pistola o la unidad.
- NUNCA ponga la máquina en funcionamiento sin que los componentes estén debidamente conectados a la máquina (mango, pistola/ensamble de la varilla, boquilla, etc.).
- Apunte la pistola en una dirección segura. La unidad comenzará a rociar cuando se apriete el gatillo si el interruptor de encendido y apagado ("On/Off") se encuentra en la posición de encendido de la lavadora a presión ["ON"].
- Aprenda cómo detener este producto y liberar la presión rápidamente. Familiarícese bien con los controles.

## Medidas de Seguridad (Continuación)

- f. SIEMPRE enganche el pasador de seguridad del gatillo en la posición segura cuando detiene el rociado, aunque sea solamente por algunos minutos.
- g. NUNCA enganche el mecanismo del gatillo en forma permanente en la pistola.
- h. SIEMPRE siga las recomendaciones que se encuentran en la etiqueta del fabricante para el uso adecuado de detergentes. Siempre protéjase los ojos, la piel y las vías respiratorias del uso de detergentes.
- i. NUNCA desconecte la manguera de descarga de alta presión de la máquina mientras el sistema esté presurizado. Para despresurizar la máquina, apague la corriente eléctrica y el suministro de agua, luego presione el gatillo de la pistola 2 ó 3 veces.
- j. Desenchufe la unidad cuando no la esté usando.
- k. Siga las instrucciones de mantenimiento que se especifican en el manual.

### AVISO

#### *Daño al equipo:*

- l. SIEMPRE encienda el suministro de agua antes de encender la lavadora a presión. **El poner la bomba seca en funcionamiento provoca graves daños.**
- m. No ponga en funcionamiento la lavadora a presión si se ha quitado la rejilla de la entrada de agua. Mantenga la rejilla libre de residuos y sedimentos.
- n. NUNCA opere la lavadora a presión si tiene piezas rotas o si le faltan piezas. Verifique el equipo periódicamente y repare o reemplace las piezas desgastadas o dañadas inmediatamente.
- o. Use sólo la boquilla que se proporciona con esta máquina.
- p. NUNCA deje la varilla de pulverización sin supervisión mientras la máquina está en funcionamiento.
- q. SIEMPRE sostenga la pistola y la varilla de pulverización con firmeza cuando encienda y opere la máquina.
- r. NUNCA permita que la unidad funcione durante más de un (1) minuto sin apretar el gatillo (desactivado). La acumulación de calor producida dañará la bomba.
- s. NUNCA guarde la lavadora a presión a la intemperie o donde pudiera congelarse. Las temperaturas de congelación pueden dañar seriamente la bomba.

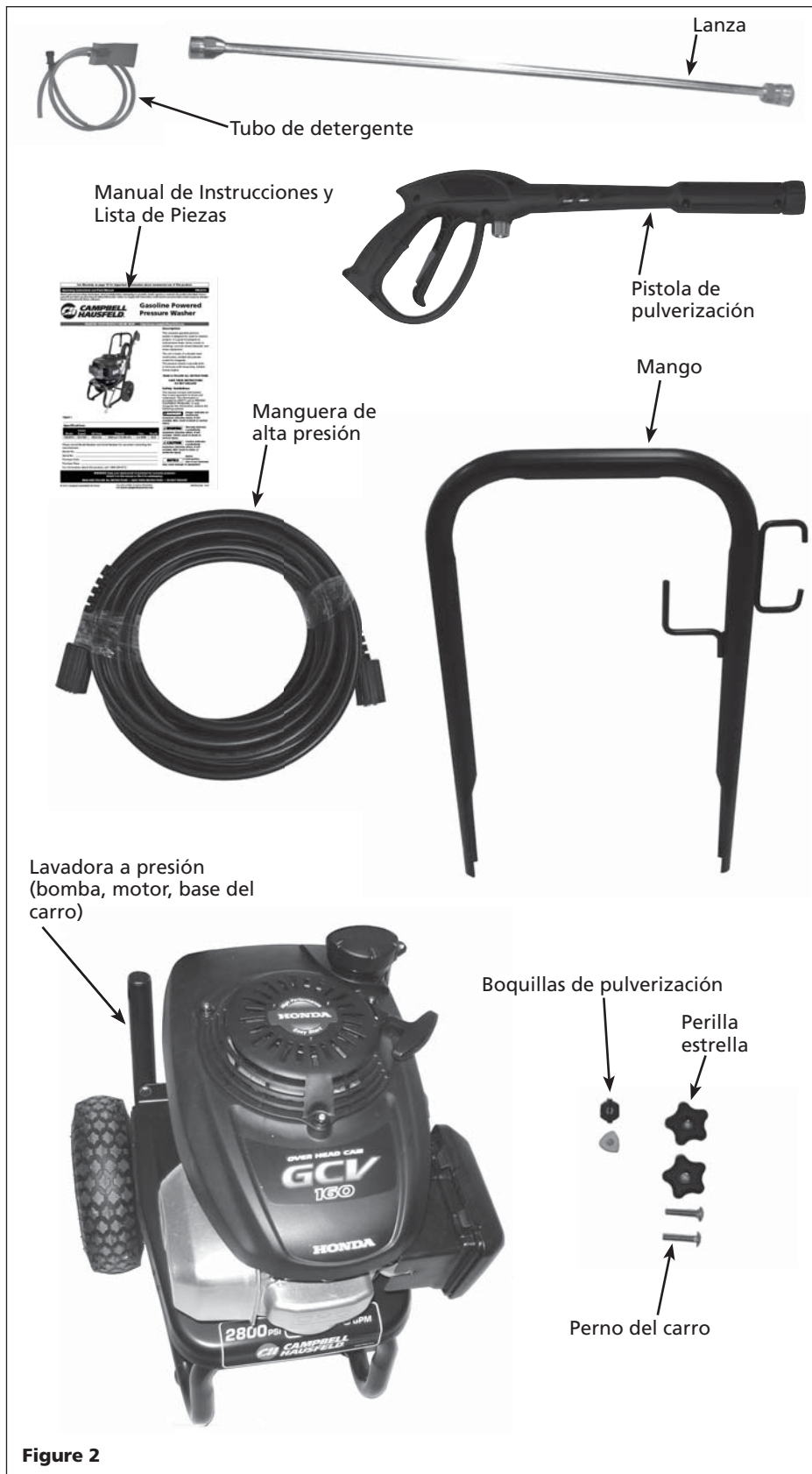
## SERVICIO

- a. **Al realizarle un servicio a la herramienta, utilice únicamente piezas de repuesto idénticas. Use sólo piezas autorizadas.**

Los símbolos de **PELIGRO, ADVERTENCIA, PRECAUCIÓN, y AVISO** y las instrucciones en este manual no pueden posiblemente cubrir todas las condiciones y situaciones posibles que puedan presentarse. El operador debe entender que la precaución es un factor que no puede ser incluido en el producto, sino que debe ser proporcionada por el operador.

**GUARDE ESTAS INSTRUCCIONES –  
NO LAS DESECHE**

## Desempaque



Después de desempacar la unidad, inspecciónela detenidamente para detectar cualquier daño que pueda haber ocurrido durante su traslado. Verifique que no haya piezas sueltas, faltantes ni dañadas. Cerciórese de apretar todas las conexiones, pernos, etc. antes de usar la lavadora a presión. Asegúrese de que todos los accesorios proporcionados vengan con la unidad. Si falta alguna de las piezas, **NO DEVUELVA LA UNIDAD AL VENDEDOR**. Busque el número de modelo de la unidad (ubicado en la etiqueta del número de serie en la estructura de la lavadora a presión) y llame 1-800-330-0712 para obtener piezas de repuesto.

**⚠ ADVERTENCIA** *No debe utilizar la unidad si se ha dañado durante el envío, manejo o uso. Los daños podrían ocasionar una explosión y ocasionarle heridas o daños a su propiedad.*

### CONTENIDO DE LA CAJA

- ◆ Una lavadora a presión (bomba, motor, base del carro)
- ◆ Un conjunto del mango del carro
- ◆ Una pistola de pulverización y una lanza de conexión rápida
- ◆ Dos boquillas de pulverización
- ◆ Una manguera de alta presión
- ◆ Un paquete con tuercas, pernos y manuales

### ARTÍCULOS ADICIONALES NO INCLUIDOS

- ◆ Protección para los ojos ANSI Z87
- ◆ Manguera de jardín

Figure 2



## Conozca su Lavadora a Presión

### USOS RECOMENDADOS PARA ESTA LAVADORA A PRESIÓN

- ◆ Plataformas
- ◆ Terraza
- ◆ Asfalto
- ◆ Garajes/Talleres
- ◆ Revestimientos exteriores
- ◆ Ladrillos
- ◆ Metal
- ◆ Exteriores de casas
- ◆ Vehículos
- ◆ Hormigón
- ◆ Madera
- ◆ Exteriores de edificios



**Figura 3 - Componentes de la lavadora a presión**

## Glosario

Familiarícese con estos términos antes de poner la unidad en funcionamiento.

**GPM (GALONES POR MINUTO)** - más agua por minuto puede significar una limpieza más rápida, especialmente al lavar para quitar materiales como barro y asfalto.

**GFCI (INTERRUPTOR DE CORRIENTE CON DESCARGA A TIERRA)** - el GFCI protege al usuario de ser electrocutado accidentalmente (únicamente para lavadoras a presión eléctricas).

## Ensamblaje y Antes del Funcionamiento

### ENSAMBLAJE Y ANTES DEL FUNCIONAMIENTO

1. Deslice el ensamblaje del mango sobre las patas inferiores de la base del carro. Utilice la tuerca y el perno estándar para asegurar la pata trasera derecha (Ver Figura 4).
2. Asegure la manguera de jardín (no se incluye) a la conexión de la manguera de jardín de la bomba (Ver Figura 5).
3. Conecte la manguera de alta presión a la salida de la bomba (vea las Figuras 5 y 6).
5. Conecte la lanza con la boquilla a la pistola (vea la Figura 7).
6. Instale la boquilla de conexión rápida halando hacia atrás el anillo retráctil y presione la boquilla hacia adentro. Suelte el anillo, asegúrese de que vuelva por completo a su posición hacia adelante y que la boquilla quede firmemente insertada (vea la Figura 8).
7. Instale las boquillas de conexión rápida en el soporte para boquillas y sujételo al mango de la lavadora a presión (vea la Figura 9).

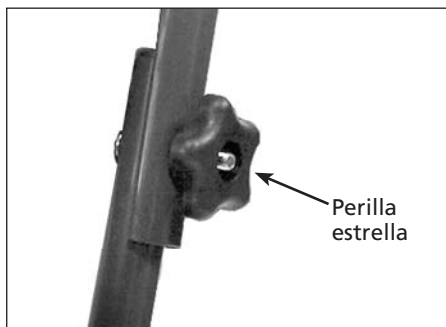


Figura 4 - Ensamblaje del mango

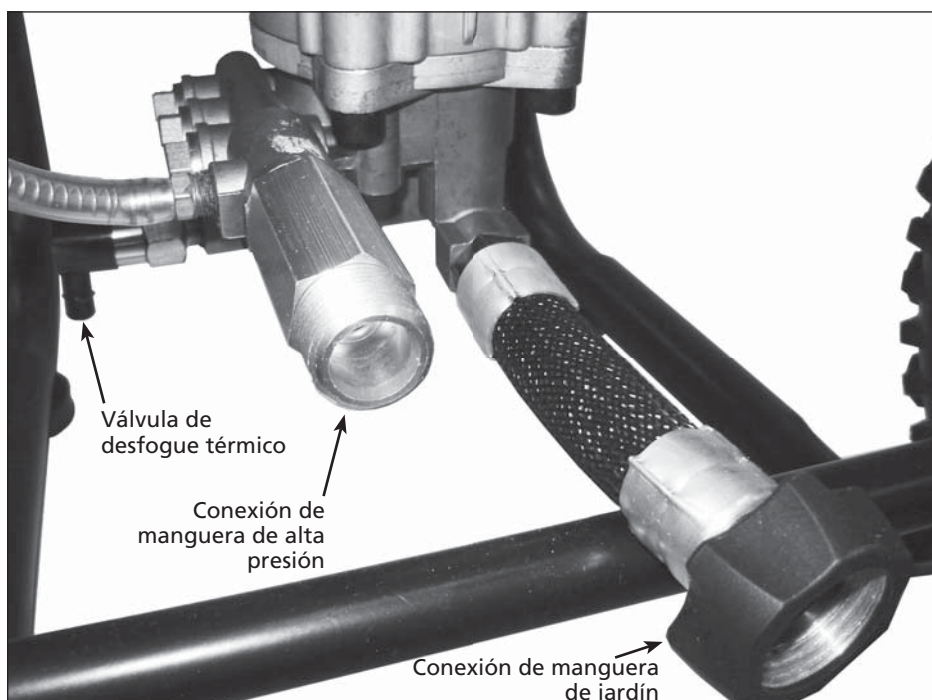


Figura 5 - Conexión de la bomba

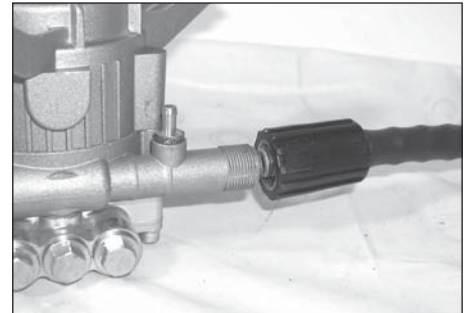


Figura 6 - Conecte la manguera de alta presión a la bomba

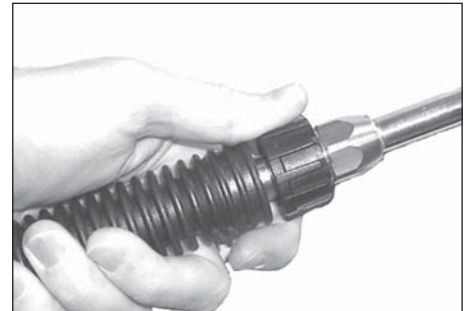


Figura 7 - Conecte la lanza a la pistola

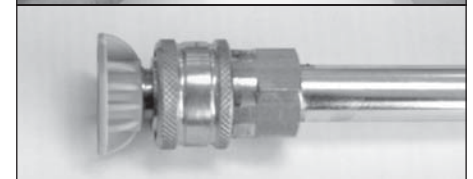


Figura 8 - Instalación de la boquilla de conexión rápida

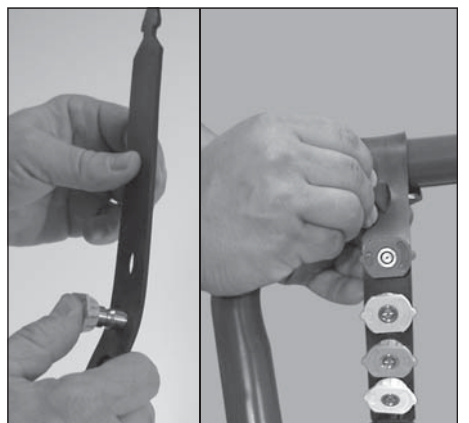


Figura 9 - Inserte las boquillas de pulverización en el soporte de caucho

## Ensamblaje y Antes del Funcionamiento (Continuación)

### SEGURO DEL GATILLO

En la posición de trabado, el seguro evita que la pistola se dispare accidentalmente. Presione el seguro totalmente hacia abajo para destrabarlo (Ver Figura 10 y 11).

Siempre trabe el seguro del gatillo cuando la unidad no se está usando.

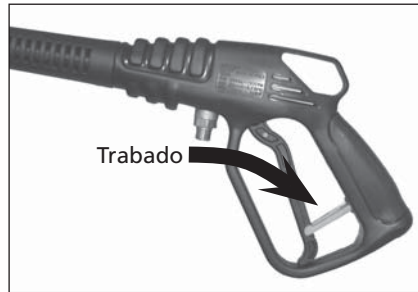


Figura 10 - Gatillo trabado

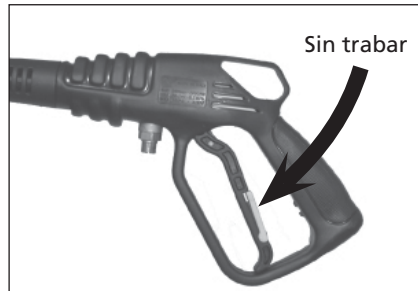


Figura 11 - Gatillo sin trabar

## Funcionamiento

### PREPARACIÓN DE SUPERFICIE

El siguiente procedimiento de limpieza le ayudará a organizar su tarea de limpieza y asegura que logrará el mejor resultado en la menor cantidad de tiempo. Recuerde usar las técnicas de rociado/ limpieza que se mencionan en las secciones siguientes.

Antes de comenzar un trabajo de limpieza de lavado a presión, prepare la superficie que pretende limpiar. Despeje el mobiliario del área y asegúrese de que todas las ventanas y puertas estén bien cerradas. Además proteja todas las plantas y árboles próximos al área de limpieza cubriéndolos con una tela. Al cubrirlos se asegura que sus plantas no sean rociadas con los detergentes.

### ENCENDIDO

SIEMPRE use este procedimiento de encendido para asegurar que la unidad arranque apropiadamente y sin peligros.

#### AVISO

*Si el agua se ha congelado dentro de la lavadora a presión, descongele la lavadora en una habitación tibia antes de arrancar. NO vierta agua caliente sobre o dentro de la bomba; eso daña las partes al interior.*

1. Verifique los niveles de aceite del motor. Agregue aceite si es necesario.
2. Revise el nivel de combustible. Añada gasolina sin plomo (de 86 octanos o más) si necesario.

#### AVERTISSEMENT

*NO llene el tanque de combustible con el motor caliente. Añadir combustible con el motor caliente puede causar un incendio. Use sólo gasolina regular o sin plomo, limpia y reciente. Mientras añada combustible, cierre la válvula de cierre del combustible.*

3. Conecte una manguera de jardín a la entrada de la bomba, y conéctela al suministro de agua. Use una manguera con diámetro interno (I.D.) de 15,9 mm (5/8 inch) y 15 m (50 pies) o menos de largo.

#### AVISO

*A algunos códigos de plomería locales exigen una prevención del retroceso del flujo cuando se haga una conexión al suministro de agua. Instale un dispositivo que impida el retroceso del flujo antes de la bomba si fuera necesario.*

- a. Si la presión de agua en entrada supera las 100 psi, instale una válvula de regulación de agua en la conexión de la manguera de jardín.
- b. La temperatura del agua en entrada no debe exceder los 100°F (38°C).

**NOTA:** El suministro de agua de entrada debe tener una velocidad mínima de flujo de 19 lpm (5 gpm).

4. ABRA el suministro de agua.

#### AVISO

*No haga funcionar nunca la unidad en seco. Asegúrese de que el suministro de agua esté completamente abierto antes de hacer funcionar la unidad.*

5. Hale el gatillo de la pistola hasta que pulverice el agua de la boquilla indicando que todo el aire ha sido purgado del sistema. Trabe el seguro del gatillo.
6. Abra la válvula del combustible girando la perilla en sentido antihorario hasta que llegue al tope. Cierre la toma de aire (si el motor está frío) moviendo el anillo de la toma de aire totalmente a la derecha. Coloque el interruptor de encendido en la posición "ON" (encendido).



Figura 12 - Encienda el motor

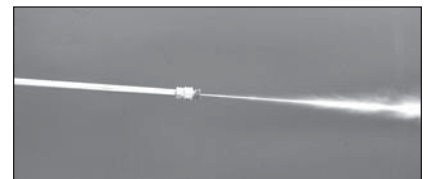


Figura 13 - Chorro angosto de alto impacto



Figura 14 - Patrón de abanico amplio



Figura 15 - Angle optimum par rapport à la surface à nettoyer

## Funcionamiento (Continuación)

7. Arranque el motor. Destrahe el seguro del gatillo de la pistola (Vea Figura 11). Agarre el cordón de arranque y coloque un pie en el chasis. Apunte la pistola en una dirección segura. Mientras oprime el gatillo de la pistola, tire del cordón de arranque rápida y firmemente (Vea Figura 12). Siga agarrando el cordón mientras lo devuelve. Repita estos pasos hasta que el motor arranque.

**PRECAUCION** Cuando hale del cordón de arranque, asegúrese de que su mano y brazo no queden enredados con el motor o los componentes del carro.

**AVISO** No deje nunca que el condón de arranque se devuelva solo. El hacerlo así puede trabar el sistema de retroceso.

8. Si el motor no arranca después de dos o tres jalones, o si el cordón es muy duro para halar, presione el gatillo de la pistola para aliviar la presión que se haya acumulado en la manguera de presión. Repita los pasos 7 y 8 hasta que el motor arranque.

### ENJUAGUE INICIAL DE ALTA PRESIÓN

Rocíe la superficie a limpiar con agua para quitar la suciedad o las manchas que puedan haberse acumulado sobre la superficie. Hacer esto permite que el detergente ataque la suciedad profunda que se ha introducido dentro de la superficie a limpiar.

### Ajuste del Ángulo del Abanico de Rociado

Hay disponibles cinco boquillas de conexión rápida para esta lavadora a presión. Las boquillas tienen un rango de ángulos del abanico de rociado que va de 0°, angosto para gran impacto, a 65° para un abanico ancho.

La presión puede ajustarse también acercándose o alejándose de la superficie a limpiar y cambiando el ángulo del abanico de rociado como se muestra.

### Ángulo con Respecto a la Superficie a Limpiar

Cuando pulverice agua contra una superficie, puede generar el mayor impacto golpeando derecho sobre la superficie. Sin embargo, este tipo de impacto puede causar que las partículas de suciedad queden incrustadas en la superficie previniendo la acción limpiadora deseada.

El ángulo mejor para pulverizar agua contra una superficie de limpieza es de 45 grados. Pulverice agua contra una superficie a 45 grados para lograr la fuerza de impacto más eficiente y quitar la suciedad eficazmente (vea Figura 19).

### Distancia de la Superficie a Limpiar

La distancia entra la superficie y la boquilla de pulverización es otro factor que afecta la fuerza de impacto del agua. La fuerza de impacto del agua aumenta al acercar la boquilla a la superficie.

### ÁNGULO CON RESPECTO A LA SUPERFICIE A LIMPIAR

Cuando rocíe agua contra una superficie, puede generar un impacto máximo al apuntar a la superficie en un ángulo perpendicular. Sin embargo, este tipo de impacto puede causar que las partículas de suciedad se incrusten en la superficie evitando así que se logre la acción deseada.

El mejor ángulo para rociar el agua contra la superficie de limpieza es de 45°.

El color de la punta muestra cuál ángulo de rociado es:

**Rojo** – 0° – Máximo trabajo pesado\*

**Amarillo** – 15° – Trabajo pesado

**Verde** – 25° – Trabajo general\*

**Blanco** – 40° – Trabajo liviano\*

**Negro** – 65° – Detergente a baja presión

**NOTA:** Utiliza orificio tamaño 2.5

\* = No se incluyen en esta unidad

Rocíe agua contra una superficie en un ángulo de 45 grados para lograr el impacto de mayor beneficio y quitar de esta forma los restos eficientemente.

### DISTANCIA A LA SUPERFICIE DE LIMPIEZA

La distancia entre la boquilla rociadora y las superficies a limpiar es otro factor que afecta la fuerza de impacto del agua. La fuerza de impacto del agua aumenta si se acerca la boquilla a la superficie.

### CÓMO EVITAR DAÑOS A LA SUPERFICIE

El daño a las superficies de limpieza ocurre cuando la fuerza de impacto del agua excede la resistencia de la superficie. Se puede variar la fuerza del impacto regulando el ángulo y la distancia de la boquilla rociadora con relación a la superficie a limpiar; también se puede cambiar la boquilla rociadora. NUNCA utilice un chorro angosto de alto impacto sobre una superficie propensa a ser dañada. Evite rociar ventanas con un chorro angosto de alto impacto. Si lo hace es posible que rompa la ventana. La forma más segura para evitar daños a las superficies es siguiendo estos pasos:

1. Antes de presionar el gatillo de la pistola, asegúrese de que la boquilla de conexión rápida que está usando sea apropiada para la aplicación.
2. Coloque la boquilla rociadora aproximadamente a 4-5 pies (1,22-1,52 m) de la superficie a limpiar. Luego sostenga la lanza y la boquilla rociadora a un ángulo de 45 grados de la superficie a limpiar. Presione el gatillo de la pistola.
3. Varíe el ángulo de rociado del patrón de abanico y la distancia a la superficie de limpieza hasta que se logre una eficiencia de limpieza.

### APLICACIÓN DE DETERGENTE

**NOTA:** Use sólo detergentes formulados para lavadora a presión. Pruebe el detergente en un área poco aparente antes de usarlo. No use blanqueador con esta unidad de lavadora a presión.

### DETERGENTES

El uso de detergentes puede reducir en gran forma el tiempo de limpieza y puede ayudar a quitar las manchas difíciles. Muchos detergentes están diseñados para ser usados con lavadoras a presión en tareas de limpieza específicas. Los detergentes para lavadoras a presión son igual de espesos que el agua. Si se utilizan detergentes más espesos, como por ejemplo detergentes para lavar vajilla, obstruirán el sistema de inyección de productos químicos y evitarán la aplicación de detergentes.

## Funcionamiento (Continuación)

Una vez aplicados a la superficie a limpiar, los detergentes toman un tiempo para ejercer una acción sobre la suciedad y las manchas. Los detergentes funcionan mejor cuando se aplican a baja presión.

Usted puede limpiar superficies de un modo efectivo combinando la acción química de los detergentes junto con los enjuagues de alta presión. Sobre superficies verticales, aplique el detergente de abajo hacia arriba. Este método evita que el detergente se deslice y provoque marcas. Comience la limpieza a alta presión por la parte superior y avance hacia abajo. En manchas particularmente difíciles, utilice un cepillo en combinación con los detergentes y el enjuague a alta presión.

1. Siga las indicaciones del fabricante, que aparecen en la etiqueta, para utilizar las concentraciones de mezcla correctas de los jabones/detergentes. La proporción de jabón/detergente con respecto al agua para la bomba es de aproximadamente 10% (1 a 10).
2. Introduzca el extremo del filtro del tubo de detergente de plástico transparente dentro del recipiente de detergente.
3. Use la boquilla rociadora negra de conexión rápida de 65°.

### CONSEJOS GENERALES DE LIMPIEZA

1. Aplique el detergente para que cubra totalmente la superficie a limpiar. Aplique el detergente de abajo hacia arriba para evitar que éste se deslice hacia abajo y deje marcas. Espere un par de minutos para que el detergente actúe sobre la suciedad y las manchas. Utilice un cepillo para cepillar levemente las áreas más sucias. Nunca permita que el detergente se seque sobre la superficie a limpiar.
2. Para enjuagar: reemplace la boquilla rociadora negra de 65° con una boquilla de otro color.

**⚠ ADVERTENCIA** *Nunca reemplace la boquilla de conexión rápida si el gatillo de la pistola está presionado. Siempre trabe el gatillo de la pistola antes de retirar o instalar boquillas de conexión rápida.*

3. Después de usar detergentes, enjuagar el sistema de succión colocando el tubo de succión de detergente en un balde de agua limpia y haciendo funcionar la unidad con la boquilla negra.

### PODER DE LIMPIEZA

La forma más fácil de regular el poder de limpieza de su lavadora a presión es cambiando la distancia a la superficie que está limpiando. Comience a rociar con un patrón de abanico amplio mientras se para a varios pies de la superficie. Acérquese lentamente al objeto que está limpiando, mientras ajusta el patrón de rociado según sea necesario, hasta que encuentre la técnica de limpieza más eficaz.

### ENJUAGUE FINAL

El enjuague final debe comenzar en la parte superior y avanzar hacia abajo. Asegúrese de enjuagar totalmente la superficie y de quitar todo el detergente.

### PROCEDIMIENTO DE LIBERACIÓN DE PRESIÓN

Para reducir el riesgo de lesiones corporales o daño a la propiedad, siempre siga este procedimiento cuando detiene

el rociado, cuando finaliza el trabajo y antes de revisar o reparar cualquier parte del sistema.

1. Coloque el seguro del gatillo.
2. Apague la unidad.
3. Cierre el suministro de agua.
4. Suelte el seguro del gatillo y apriete el gatillo de la pistola para liberar la presión.
5. Vuelva a colocar el seguro del gatillo.
6. Cuando verifique o repare la unidad, quite el enchufe del tomacorriente de pared.
7. Antes de guardar la unidad de un día para el otro, durante un largo tiempo o para transportarla, desconecte el suministro de agua.

### APAGADO

1. Asegúrese de enjuagar todo el detergente del sistema.
2. Apague el motor.
3. Cierre el suministro de agua.
4. Después de apagar el motor y cerrar el suministro de agua, apriete el gatillo para quitar la presión del sistema.

**AVISO** *NUNCA cierre el suministro de agua antes de apagar el motor. Pueden ocurrir daños graves a la bomba y/o al motor.*

**⚠ PRECAUCIÓN** *Nunca desconecte la manguera de descarga de alta presión desde la máquina mientras el sistema está presurizado. Para despresurizar apague el motor, cierre el suministro de agua y presione el gatillo 2-3 veces.*

5. Después de cada uso, limpie todas las superficies con un paño húmedo y limpio.

### ALMACENAMIENTO

- Nunca vaya a guardar la lavadora a presión a la intemperie.
- No guarde la lavadora a presión en un lugar en el que pueda congelarse, a menos que haya sido preparada adecuadamente para el invierno.

### Instrucciones para el Almacenamiento a Largo Plazo (Más de 30 Días)

1. Retire el detergente del tanque y haga funcionar la lavadora en modo normal hasta que el motor pare por falta de combustible. El modo de funcionamiento normal significa pulverizar agua de la pistola mientras el motor está funcionando.  
Método alternativo – Añada un estabilizador de combustible a la gasolina en el tanque y haga funcionar el motor in modo normal por no menos de cinco minutos.
2. Apague el motor, cierre el suministro de agua y hale el gatillo para aliviar la presión en la manguera de alta presión.
3. Desconecte el suministro de agua y la manguera de alta presión de la bomba.
4. Deje que el motor se enfríe.
5. Desconecte el cable de la bujía y quite la bujía.
6. Vierta 1/2 oz. de aceite de motor en el orificio de la bujía.

**⚠ ADVERTENCIA** *Nunca hale del cordón de arranque después de haber quitado la bujía a menos de que haya cubierto el orificio de la bujía. La chispa puede encender el vapor del combustible.*

## Funcionamiento (Continuación)

- Coloque un trapo sobre el orificio de la bujía y hale lentamente y varias veces del cordón de arranque para distribuir el aceite.

### INSTRUCCIONES DE PREPARACIÓN PARA EL INVIERNO

- Siga y complete las Instrucciones para el almacenamiento a largo plazo de arriba.
- Desconecte el cable de la bujía.
- Desconecte la manguera de alta presión de la bomba.
- Inserte un tramo de manguera de alta presión de 30 a 35 cm (12 in. -14 in.) en el orificio de entrada de la bomba.
- Coloque un embudo en el otro extremo de la manguera de jardín.

#### AVISO

Lea las instrucciones del fabricante para el manejo sin peligros del anticongelante RV.

- Vierta aproximadamente 6 oz. de anticongelante RV en el embudo.
- Hale del cordón de arranque varias veces hasta que el anticongelante RV salga del orificio de salida de la bomba.
- Desconecte la manguera de alta presión de la pistola y drene la manguera. Sostenga la pistola y la lanza en posición vertical y hale el gatillo para drenar el agua.

### CONSEJOS PARA PROLONGAR LA VIDA DE SU LAVADORA A PRESIÓN

- Nunca haga funcionar la unidad sin agua.
- Su lavadora a presión no está diseñada para bombear agua caliente. Nunca la conecte a un suministro de agua caliente ya que reducirá en forma significativa la vida útil de la bomba.
- Hacer funcionar la unidad por más de un minuto sin rociar el agua causa un recalentamiento de la bomba. Hacer funcionar la unidad sin rociar el agua puede dañar los componentes de la bomba.

## Mantenimiento

Observe los intervalos regulares del mantenimiento para asegurar la máxima eficiencia y vida útil de la lavadora a presión. Refiérase al programa para el mantenimiento recomendado. Si hace funcionar la lavadora a presión en un ambiente muy polvoroso, haga los controles del mantenimiento con más frecuencia.

### INSTRUCCIONES PARA EL CAMBIO DE ACEITE DEL MOTOR

Drene el aceite del motor cuando el motor esté tibio. El aceite tibio se drena rápida y completamente.

- Coloque la válvula de gasolina en la posición "OFF" (apagado) para reducir la posibilidad de fuga de combustible.
- Coloque un recipiente adecuado junto al motor para recoger el aceite usado.
- Quite el tapón de llenado de aceite/varilla de medición y drene el aceite hacia el recipiente inclinando el motor hacia el cuello de llenado de aceite.

Deseche el aceite de motor usado de una forma que sea compatible con el medio ambiente. Le sugerimos que lleve

el aceite usado en un recipiente cerrado a su centro local de reciclaje o estación de servicio para recuperación. No lo tire a la basura, no lo vierta en la tierra ni en el desagüe.

- Con el motor en posición nivelada, llene hasta la marca de límite superior en la varilla de medición con el aceite recomendado.

#### AVISO

Encender el motor con un bajo nivel de aceite puede causar daño al motor.

- Vuelva a instalar el tapón de llenado de aceite/varilla de medición de forma segura.

### INSTRUCCIONES PARA EL CAMBIO DE ACEITE DE LA BOMBA

Para cambiar o rellenar el aceite de la bomba, es necesario separar la bomba del motor y no debe hacerse a menos de que se hayan presentado pérdidas de aceite debidas a desgaste o daño de los sellos de aceite en la bomba. Si la

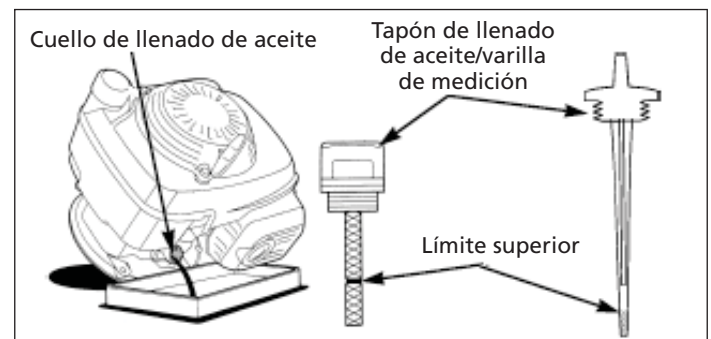


Figura 16 - Puntos de drenaje y llenado de aceite

### PLANIFICACIÓN DEL MANTENIMIENTO

PLANIFICACIÓN DEL MANTENIMIENTO	ACCIÓN NECESARIA
A diario	<ul style="list-style-type: none"> <li>Verificar el filtro y la rejilla de la entrada de agua.</li> <li>Verificar los niveles de aceite del motor. Llenar según sea necesario.</li> <li>Verificar el nivel de gasolina. Llenar según sea necesario.</li> </ul>
Después de las primeras 5 horas de funcionamiento	<ul style="list-style-type: none"> <li>Cambiar el aceite de ablande del motor. Use aceite detergente 10W-30. Vea su manual de usuario Honda para la información específica</li> </ul>
Cada 25 horas de funcionamiento	<ul style="list-style-type: none"> <li>Cambiar el aceite si está funcionando con una carga pesada o a una temperatura ambiente elevada.</li> <li>Limpiar o reemplazar el cartucho de papel del filtro de aire. Golpear suavemente para quitar la suciedad.</li> </ul>
Cada 50 horas de funcionamiento	<ul style="list-style-type: none"> <li>Cambiar el aceite.</li> <li>Reemplazar la bujía.</li> </ul>
Cada 100 horas de funcionamiento o cada 3 meses	<ul style="list-style-type: none"> <li>Reemplazar el cartucho de papel del filtro de aire.</li> <li>Cambiar el aceite del motor.</li> </ul>

## Mantenimiento (Continuación)

### INFORMACIÓN TÉCNICA Y PARA EL CONSUMIDOR

<b>LAVADORAS A PRESIÓN DE ORIENTACIÓN HORIZONTAL</b>	
<b>Tipo de aceite para el motor</b>	SAE 10W-30 SAE 30W (Superior a 60° F/15,5° C)
<b>Capacidad del aceite para el motor</b>	Motores Honda 0,55 L (18.5 fl. oz.)
<b>Engine Fuel Capacity</b>	Motores Honda 1,10 L (0,29 gal)
<b>Tipo de aceite para la bomba</b>	Bombas oscilatorias Aceite para transmisión 80w90
<b>Capacidad del aceite para la bomba</b>	Bombas oscilatorias verticales 0,08 L (2.7 fl. oz.)
<b>Succión de detergente de la bomba</b>	Relación agua/detergente 8 a 1 (12% de detergente)
<b>Requisitos del suministro de agua</b>	Presión mínima en entrada 1,38 bar Presión máxima en entrada 6,90 bar Temperatura máxima en entrada 38°C (100°F) Caudal mínimo en entrada 19 L/min (5 gpm) Tamaño de la manguera de jardín en entrada D.I. 15,9 mm - 5/8 in. Largo máximo de la manguera de jardín en entrada 15,2 m (50 pies)

bomba ha presentado pérdidas de aceite, lleve la lavadora a un centro de servicio certificado de Campbell Hausfeld para que sea reparada.

### ASISTENCIA TÉCNICA

Para mayor información en relación al funcionamiento o reparación de este producto, comuníquese con el concesionario de Campbell Hausfeld más cercano a su domicilio.

### INFORMACIÓN SOBRE REPUESTOS

Para obtener información con respecto a piezas de repuesto pedidas, llame sin costo al 1-800-330-0712.

Sírvase suministrarnos la siguiente información:

- Número del Modelo
- Código estampado
- Número y descripción del repuesto.

Puede escribirnos a:  
Campbell Hausfeld  
100 Production Drive  
Harrison, Ohio 45030 U.S.A.

## Guía General de Diagnóstico de Averías

PROBLEMA	CAUSA	SOLUTION
El motor no arranca o arranca con dificultad	<ol style="list-style-type: none"> <li>1. No hay gasolina en el tanque de combustible o en el carburador</li> <li>2. Bajo nivel de aceite</li> <li>3. Interruptor de arranque/apagado (Start/Stop) en posición de apagado</li> <li>4. Agua en la gasolina o combustible viejo</li> <li>5. Filtro de aire sucio</li> <li>6. Bujía sucia, luz de electrodos equivocada, o tipo equivocado</li> <li>7. Pistola de pulverización cerrada</li> <li>8. Otras causas</li> </ol>	<ol style="list-style-type: none"> <li>1. Llene el tanque de gasolina, abra la válvula de cierre del combustible. Revise la tubería del combustible y el carburador</li> <li>2. Verifique el nivel de aceite. Llene si fuese necesario</li> <li>3. Mueva el interruptor a la posición de arranque (start)</li> <li>4. Drene el tanque de combustible y el carburador. Use combustible nuevo y una bujía seca</li> <li>5. Quite y limpie o reemplace</li> <li>6. Limpie, ajuste la luz, o reemplace</li> <li>7. Hale el gatillo de la pistola</li> <li>8. Consulte el manual del propietario del motor.</li> </ol>
El motor pierde o no tiene fuerza	<ol style="list-style-type: none"> <li>1. Filtro de aire parcialmente atorado</li> <li>2. Bujía sucia, luz de electrodos equivocada o tipo equivocado</li> </ol>	<ol style="list-style-type: none"> <li>1. Quite y limpie o reemplace</li> <li>2. Limpie, ajuste la luz o reemplace</li> </ol>
La presión baja y/o la bomba funciona toscamente	<ol style="list-style-type: none"> <li>1. Punta desgastada o del tamaño equivocado</li> <li>2. Filtro de entrada o bomba obstruida</li> <li>3. Sellos de agua desgastados, abrasivos en el agua, o desgaste natural</li> <li>4. Válvulas de descarga o de entrada sucias</li> <li>5. Entrada restringida</li> <li>6. Válvulas de descarga o de entrada desgastadas</li> <li>7. Manguera de alta presión con pérdidas</li> <li>8. Bomba aspira aire</li> <li>9. Asiento de la válvula de descarga fallado o desgastado</li> </ol>	<ol style="list-style-type: none"> <li>1. Reemplácela con una punta del tamaño adecuado</li> <li>2. Límpiela. Verifique con más frecuencia</li> <li>3. Revise el filtro. Cambie los sellos de agua. Consulte el centro de servicio.</li> <li>4. Limpie los ensamblajes de las válvulas de entrada y descarga. Revise el filtro</li> <li>5. Revise la manguera de jardín, puede estar colapsada o plegada. Revise el flujo de entrada de agua</li> <li>6. Reemplace las válvulas desgastadas</li> <li>7. Reemplace la manguera de alta presión</li> <li>8. Asegúrese de que las mangueras y los accesorios estén ajustados</li> <li>9. Revíselo y reemplácelo</li> </ol>
Pérdida de agua debajo del distribuidor	Sellos de agua desgastados	Instale nuevos sellos de agua. Consulte el centro de servicio.
Agua en el cárter de la bomba (aceite lechoso)	<ol style="list-style-type: none"> <li>1. Aire húmedo se condensa dentro del cárter</li> <li>2. Sellos de aceite con pérdidas</li> </ol>	<ol style="list-style-type: none"> <li>1. Cambie el aceite como se especifica en el plan de mantenimiento</li> <li>2. Instale nuevos sellos de aceite. Consulte al centro de servicio.</li> </ol>
Fallas frecuentes o prematuras de los sellos de agua de la bomba	<ol style="list-style-type: none"> <li>1. Émbolos rayados, dañados o desgastados</li> <li>2. Material abrasivo en el fluido</li> <li>3. Temperatura del agua de entrada demasiado alta</li> <li>4. La bomba presuriza demasiado</li> <li>5. Presión excesiva debido a una punta dañada o parcialmente obstruida</li> <li>6. La bomba funciona demasiado sin rociar</li> <li>7. La bomba funciona sin agua</li> </ol>	<ol style="list-style-type: none"> <li>1. Instale émbolos nuevos. Consulte al centro de servicio.</li> <li>2. Instale un filtrado adecuado en la tubería de entrada de la bomba</li> <li>3. Verifique la temperatura del agua; no puede exceder los 38° C.</li> <li>4. No modifique ningún valor de fábrica.</li> <li>5. Limpie o reemplace la punta.</li> <li>6. Nunca haga funcionar la bomba durante más de 1 minuto sin rociar</li> <li>7. No haga funcionar la bomba sin agua</li> </ol>

*Continúa en la página siguiente*



## Guía General de Diagnóstico de Averías

PROBLEMA	CAUSA	SOLUCIÓN
Fuertes pulsaciones en la entrada y baja presión	Partículas extrañas en la válvula de entrada o de descarga o válvulas de entrada y/o de descarga desgastadas	Limpie o reemplace las válvulas. Consulte el centro de servicio.
Pérdidas de aceite entre el motor y la bomba	Anillo O y/o sellos de aceite desgastados	Consulte el centro de servicio.
Presión fluctuante	<ol style="list-style-type: none"> <li>Válvula desgastada, sucia o trabada</li> <li>La bomba aspira aire</li> <li>Punta obstruida</li> </ol>	<ol style="list-style-type: none"> <li>Revise y reemplace</li> <li>Asegúrese de que las mangueras y los accesorios están ajustados. Purgue el aire de la manguera de jardín</li> <li>Revise o reemplace</li> </ol>
Disminuye la presión luego de un período de uso normal	<ol style="list-style-type: none"> <li>Sellos de agua de la bomba desgastados</li> <li>Boquilla desgastada</li> <li>Válvula desgastada, sucia o atorada</li> <li>Asiento de la válvula de descarga desgastado o sucio</li> <li>Boquilla en la posición de presión baja</li> </ol>	<ol style="list-style-type: none"> <li>Revise y reemplace</li> <li>Revise y reemplace</li> <li>Revise, limpie o reemplace</li> <li>Revise, limpie o reemplace</li> <li>Tire la boquilla hacia atrás a la posición de alta presión</li> </ol>
Bomba ruidosa / la bomba funciona toscamente	<ol style="list-style-type: none"> <li>Bomba aspira aire/bajo suministro de agua</li> <li>Válvulas sucias o desgastadas</li> <li>Juntas desgastadas</li> <li>Agua demasiado caliente</li> </ol>	<ol style="list-style-type: none"> <li>Asegúrese de que las juntas están ajustadas. Aumente la presión de agua</li> <li>Revise, limpie o reemplace</li> <li>Revise y reemplace</li> <li>Reduzca la temperatura por debajo de 38° C</li> </ol>
No succiona detergente	<ol style="list-style-type: none"> <li>La boquilla no se empujó hacia arriba lo suficiente</li> <li>Hay una obstrucción, pliegue o perforación en la manguera de succión de detergente</li> <li>La manguera es demasiado larga</li> <li>La lanza no está funcionando adecuadamente</li> </ol>	<ol style="list-style-type: none"> <li>Empuje la boquilla hasta el tope.</li> <li>Si está limpia, elimine los pliegues o cambie la manguera.</li> <li>Utilice únicamente el largo de manguera que se proporcionó con la compra inicial de la lavadora a presión. La succión del detergente no funciona si se conecta más de una sección de manguera a la unidad.</li> <li>Quite la lanza de la pistola. Si se pasa detergente a través de la pistola, la lanza se debe reemplazar. Si no pasa detergente a través de la pistola, quite 1 pulg. del conector de detergente ahusado de la bomba. Limpie el conector, y asegúrese de que la bola y el resorte estén alineados adecuadamente con la porción ahusada del resorte que está frente a la bola. La bola debe estar encima del resorte.</li> </ol>

## Para Ordenar Repuestos o Asistencia Técnica, Sírvase Llamar al Distribuidor Más Cercano a Su Domicilio

Sírvase darnos la siguiente información:

- Número del modelo
- Código impreso (si correspondiera)
- Descripción y número del repuesto según la lista de repuestos

Dirija toda la correspondencia a:

Campbell Hausfeld  
Attn: Customer Service  
100 Production Drive  
Harrison, OH 45030 U.S.A.

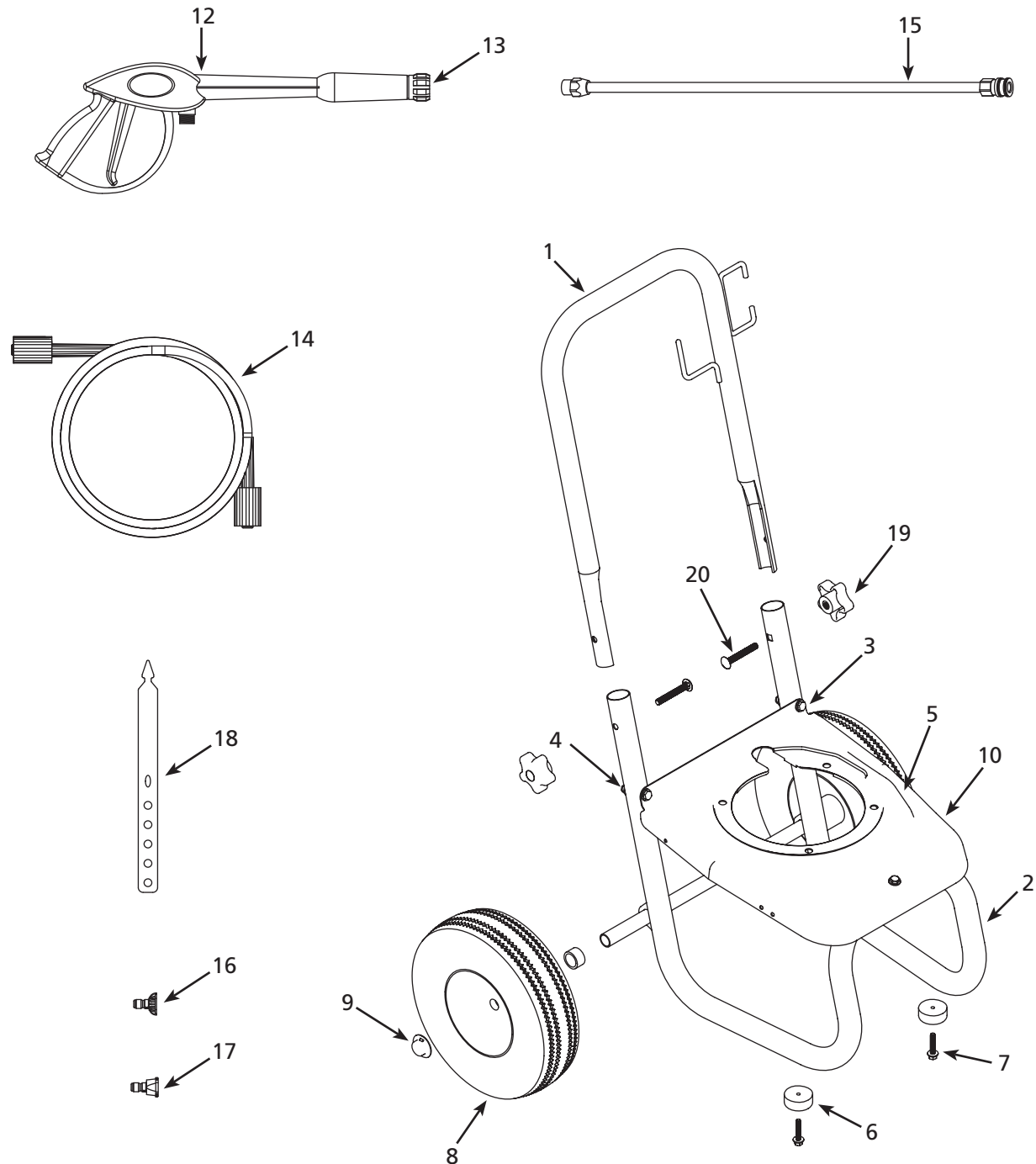


Figura 17 – Ilustración de las piezas de repuesto

**Lista de Piezas de Repuesto**

No. de Ref.	Descripción	Número del repuesto	Ctd.
1	Mango	PM344057KK	1
2	Marco	PM344766KK	2
3	Negro Arandela plana 6,4 mm (1/4 plug.)	PM002000AV, *	6
4	Tuerca de seguridad de nylon de 6,4 mm (1/4 inch) - 20	ST073808AV, *	3
5	Perno de 6,4 mm (1/4 inch) - 20 (base)	PM001902AV, *	3
6	Defensa de caucho	AL062300AV	2
7	Tornillo autorrosc. 6,4 mm (1/4 inch) -20 x 19,1 mm (3/4 inch)	MJ102100AV, *	2
8	Rueda	WA005621AV	2
9	Tuerca de presión (2)	PM344775SJ	2
10	Placa de base	PM344725KK	1
11	Tubo de detergente (no se muestra)	PM013800AV	1
12	Pistola	PM351377AV	1
13	Anillo en O (pistola) (no se muestra)	PM245800SV	1
14	Manguera	PM005015AV	1
15	Lanza	PM351378AV	1
16	Consejo, 15° (Amarillo)	PM039696AV	1
17	Consejo, 65° (Negro)	PM039820AV	1
18	Soporte, boquilla de conexión rápida (QC)	PM344304AV	1
19	Perilla estrella (2 unidades)	PM344773SJ	2
20	Perno de carro (2 unidades)	PM344774SJ	2
<b>Accesorios para boquillas disponibles para PW2570 (no incluidos con la unidad)</b>			
	Consejo, 0° (Rojo)	PM039695AV	
	Consejo, 25° (Verde)	PM039697AV	
	Consejo, 40° (Blanco)	PM039698AV	

\* Artículo estándar de ferretería

★ Para mantenimiento del motor o repuestos, llame a Honda al 1-800-426-7701

## Para Ordenar Repuestos o Asistencia Técnica, Sírvase Llamar al Distribuidor Más Cercano a Su Domicilio

Sírvase darnos la siguiente información:

- Número del modelo
- Código impreso (si correspondiera)
- Descripción y número del repuesto según la lista de repuestos

Dirija toda la correspondencia a:

Campbell Hausfeld  
Attn: Customer Service  
100 Production Drive  
Harrison, OH 45030 U.S.A.

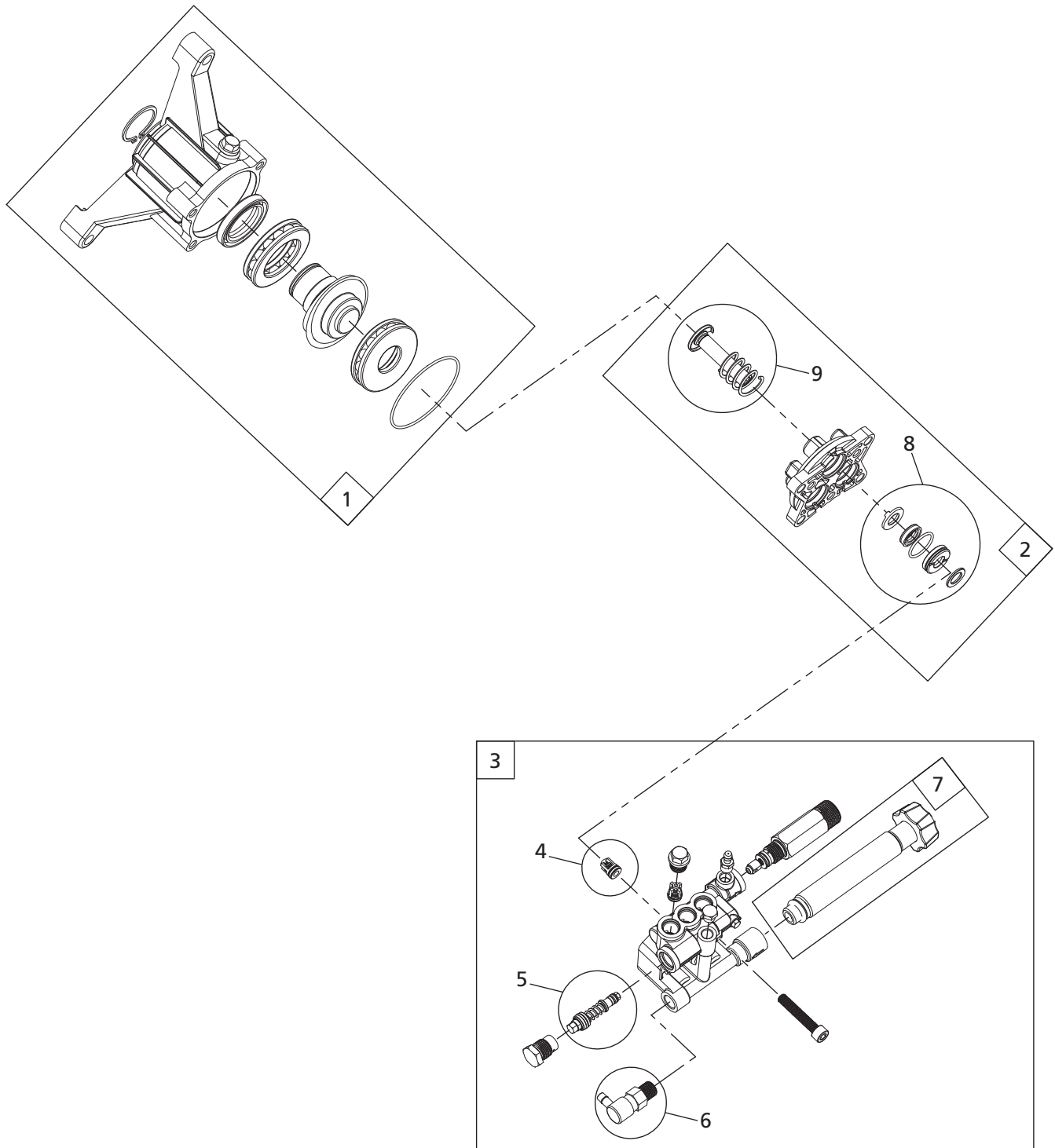


Figura 18 – Ilustración de las piezas de repuesto

### Lista de Piezas de Repuesto

No. de Ref.	Descripción	Número del repuesto	Ctd.
1	Ensamble del tanque inferior	PM351305SV	1
2	Ensamble del bloque de la bomba	PM351310SV	1
3	Ensamble del cabezal de la bomba	PM351365SV	1
4	Juego de válvulas (contiene 6 válvulas)	PM351331SV	1
5	Válvula de descarga	PM351332SV	1
6	Válvula de liberación térmica	PM351325SV	1
7	Ensamble de la manguera de entrada	PM351320SV	1
8	Juego del sello de agua	PM351330SV	1
9	Juego de pistones (juego de 3)	PM351333SV	1

Especificaciones de Torques (kg-cm)	
Descripción	Torsión
Válvula de desfogue térmico	110
Torsión de las muescas para manguera	100
Perno de la culata	110
Capacidad de aceite: 0,08 L	
Tipo de aceite: Aceite para transmisión 80w90	

**¡REGISTRE SU PRODUCTO EN LÍNEA AHORA MISMO!**  
**www.campbellhausfeld.com**

## **Garantía Limitada**

1. Duración: De la fecha de compra por el comprador original y de acuerdo a las siguientes clasificaciones: Tres (3) años la unidad lavadora a presión, 2 (dos) años la bomba y el motor, y 90 días para los artículos con desgaste normal.
2. QUIEN OTORGA ÉSTA GARANTÍA (EL GARANTE): Campbell Hausfeld / Scott Fetzer Company, 100 Production Drive, Harrison, OH 45030, Teléfono: (800) 330-0712.
3. QUIEN RECIBE ÉSTA GARANTÍA (EL COMPRADOR): El comprador original (que no sea revendedor) de la Lavadora de Presión Campbell Hausfeld.
4. PRODUCTOS CUBIERTOS POR ESTA GARANTÍA: Esta lavadora de presión Campbell Hausfeld.
5. LO QUÉ ÉSTA CUBIERTO POR ESTA GARANTÍA: Los defectos de material y/o de manufactura que ocurran dentro del periodo de garantía con las excepciones anotadas abajo.
6. LO QUÉ NO ÉSTA CUBIERTO POR ESTA GARANTÍA:
  - A. Las garantías implícitas, incluyendo las garantías de comercialización y adecuación para un fin particular, son limitadas a partir de la fecha de compra como se indica en el párrafo DURACIÓN. Si ésta lavadora de presión es usada para trabajos comerciales, industriales o para renta, la garantía aplicada es de (90) días a partir de la fecha de compra. En algunos estados no se permiten limitaciones a la duración de las garantías, en tal caso esta limitación no es aplicable.
  - B. CUALQUIER PERDIDA, DANO INCIDENTAL INDIRECTO O CONSECUENTE QUE PUEDE RESULTAR DE UN DEFECTO, FALLA, O MALFUNCIONAMIENTO DE LA LAVADORA DE PRESIÓN CAMPBELL HAUSFELD. En algunos estados no se permiten la exclusión o limitación de daños incidentales o consecuentes y en tal caso esta limitación o exclusión no es aplicable.
  - C. Cualquier falla que resulte por daños en la transportación, accidente, abuso, negligencia o incumplimiento de las instrucciones de funcionamiento e instalación indicadas en el manual suministrado con el producto.
  - D. El servicio al producto antes de la venta. Ejemplo ensamblaje, aceites o lubricantes, ajustes, etc.
  - E. Partes o ajustes requeridos normalmente en el mantenimiento de la lavadora de presión.
  - F. Partes adicionales no cubiertas en ésta garantía:
    1. Desgaste normal en partes tales como mangueras de alta presión, sellos de agua o aceite, anillos, válvulas y boquillas de spray.
    2. Defectos externos que no interfieren con su funcionamiento.
    3. Componentes oxidados.
    4. Desgaste de la bomba o daño de la válvula causado por uso de aceite inapropiado, contaminación del aceite o por no seguir adecuadamente las recomendaciones de mantenimiento.
  - G. El motor de gasolina y sus componentes están expresamente excluidos de ésta garantía limitada. Estos componentes deben de ser devueltos por el comprador al fabricante original o a su taller de reparación autorizado.
7. RESPONSABILIDADES DEL GARANTE BAJO ÉSTA GARANTÍA: Repare o reemplazar, como lo decida el garante, ya sea la lavadora de presión o alguna de sus partes que se encuentre defectuoso, no funcione adecuadamente y/o no cumpla de conformidad dentro del periodo de duración de la garantía.
8. RESPONSABILIDADES DEL COMPRADOR BAJO ÉSTA GARANTÍA:
  - A. Proporcionar prueba de la fecha de compra y registros de mantenimiento.
  - B. Entregar o enviar la lavadora de presión o su componente al centro de servicio autorizado Campbell Hausfeld más cercano. Los costos de embarque, si son aplicables, serán pagados por el comprador.
  - C. Ser cuidadoso con el funcionamiento y mantenimiento de la lavadora de presión de acuerdo al manual(s) del propietario.
9. CUANDO EFECTUARA EL GARANTE LA REPARACION O REEMPLAZO CUBIERTO POR ESTA GARANTÍA: La reparación o reemplazo del equipo tomara el tiempo normal y de acuerdo a la carga de trabajo en ese momento el centro de servicio y de acuerdo a la disponibilidad de refacciones.

Esta garantía limitada es válida sólo en los EE.UU., Canadá y México y otorga derechos legales específicos. También usted podría tener otros derechos los cuales varían de estado a estado o de país a país.

**RECORDATORIO: ¡Guarde su comprobante de compra con fecha para fines de la garantía!**  
**Adjúntela a este manual o archívela en lugar seguro.**



