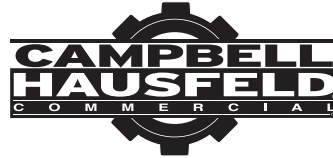


## Air Drills



MODELS: CL154500, CL154600

### Description

Air drills are designed for drilling, honing, reaming, hole sawing and wire brushing.

The 3/8 inch drill, model CL154500, operates at high speed making the tool ideal for drilling metal or wood.

The 1/2 inch drill, model CL154600, is high torque and low RPM providing extra power for large drill bits.

### Unpacking

After unpacking the unit, inspect carefully for any damage that may have occurred during transit.

**READ & FOLLOW ALL INSTRUCTIONS**

**SAVE THESE INSTRUCTIONS**

**DO NOT DISCARD**

### Safety Guidelines

This manual contains information that is very important to know and understand. This information is provided for SAFETY and to PREVENT EQUIPMENT PROBLEMS. To help recognize this information, observe the following symbols.

**▲ DANGER**

*Danger indicates an imminently hazardous situation which, if not avoided, WILL result in death or serious injury.*

**▲ WARNING**

*Warning indicates a potentially hazardous situation which, if not avoided, COULD result in death or serious injury.*

**▲ CAUTION**

*Caution indicates a potentially hazardous situation which, if not avoided, MAY result in minor or moderate injury.*

**NOTICE**

*Notice indicates important information, that if not followed, may cause damage to equipment.*

**NOTE:** Information that requires special attention.

## Operating Instructions

*Please read and save these instructions. Read carefully before attempting to assemble, install, operate or maintain the product described. Protect yourself and others by observing all safety information. Failure to comply with instructions could result in personal injury and/or property damage! Retain instructions for future reference.*

### General Safety Information

#### CALIFORNIA PROPOSITION 65

**⚠ WARNING** *This product or its power cord*

*may contain chemicals, including lead, known to the State of California to cause cancer and birth defects or other reproductive harm. Wash hands after handling.*

**⚠ WARNING** *You can create*

*dust when you cut, sand, drill or grind materials such as wood, paint, metal, concrete, cement, or other masonry. This dust often contains chemicals known to cause cancer, birth defects, or other reproductive harm. Wear protective gear.*



#### GENERAL SAFETY

This product is a part of a high pressure system and the following safety precautions must be followed at all times along with any other existing safety rules.

1. Read ALL manuals included with this product carefully. Be thoroughly familiar with the controls and the proper use of the equipment.
2. ONLY persons well acquainted with these rules of safe operation should be allowed to use the air tool.



**⚠ DANGER** *Do NOT exceed*

*maximum operating pressure of the air tool (90 psi). The air tool COULD explode and result in death or serious personal injury.*



3. Do NOT exceed any pressure rating of any component in the system.

Maximum operating pressure of 90 PSI is measured at the tool inlet while the tool is running. The pressure drop between the compressor and tool needs to be compensated for at the compressor.

**⚠ WARNING** *Release ALL*

*pressure from the system before attempting to install, service, relocate or perform any maintenance.*



4. Disconnect air tool from air supply when not in use and before changing tools, attachments or performing service.

**⚠ WARNING** *Safety glasses*

*and ear protection MUST be worn during operation.*



5. Do NOT wear loose fitting clothing, scarves, neck ties or jewelry when operating any tool. Loose clothing or jewelry may become caught in moving parts and result in serious personal injury.
6. Do NOT depress trigger when connecting air supply hose to tool.
7. Do NOT put hands near or under moving parts.

**⚠ WARNING** *Excessive exposure to vibration,*

*working in awkward positions and repetitive work motions can cause injury to hands and arms. Stop using any tool if discomfort, numbness, tingling or pain occur and consult a physician.*

8. Check air hoses for weak or worn condition before each use. Make sure ALL connections are secure.

## General Safety Information (Continued)

9. Protect air lines from damage or puncture. Do NOT carry tool by air hose.
10. NEVER trigger the tool when not applied to a work object. Attachments MUST be securely attached. Loose attachments can cause serious injury.
11. ALWAYS use attachments designed for use with air powered tools. Do NOT use damaged or worn attachments.
12. Keep ALL nuts, bolts and screws tight and ensure equipment is in safe working condition.
13. ALWAYS secure workpiece in a vise or clamp.
14. NEVER point an air tool at oneself or any other person. Serious injury COULD occur.
15. ALWAYS work in a well ventilated area and wear OSHA approved dust mask.

## Operation

### SET-UP INSTRUCTIONS

Air tools require a supply of clean, dry air at 90 psi (6.2 bar). An air supply system with filter, regulator, and lubricator (FRL) as shown in Figure 1 should be used.

Campbell Hausfeld FRL model PA2104 (3/8 inch) or PA2114 (1/2 inch) is recommended.

Water in the air supply can damage the tool. Drain condensate from compressor tank and filter daily.

All hoses and fittings must be the correct size and tightly fastened. Refer to Chart 1 for minimum sizes.

Tool Air Consumption	Hose ID
Less than 9 SCFM @ 100% usage	1/4 inch
9 to 34 SCFM @ 100% usage	3/8 inch
Greater than 34 SCFM @ 100% usage	1/2 inch

**Chart 1** - Suggested minimum hose diameter to use based on 50 ft length hose and continuous SCFM rating of tool. The use of fittings and longer hose may require a larger diameter hose to be used.

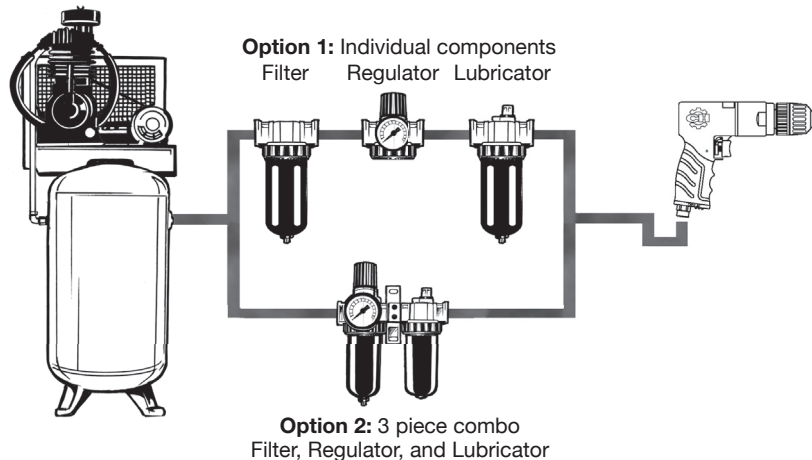


Figure 1

## Operation (Continued)

**▲ WARNING** Do not use hoses or fittings that are damaged or deteriorated.

**▲ WARNING** Never carry a tool by the hose or pull the hose to move the tool or a compressor. Keep hoses away from heat, oil and sharp edges. Replace any hose that is damaged, weak or worn.

### LUBRICATION

Air tools require lubrication throughout the life of the tool and is the owner's responsibility. Failure to lubricate the air tool properly will dramatically shorten the life of the tool and will void the warranty.

**▲ CAUTION** This air tool requires lubrication BEFORE the initial use and BEFORE and AFTER each additional use.

### AUTOMATIC LUBRICATION

The recommended method for lubrication is with an air line lubricator installed as part of the air piping system. See Figure 1. Use Campbell Hausfeld air tool oil ST127000AV or equivalent ISO grade 32 oil.

### MANUAL LUBRICATION

If an air line lubricator is not used, the tool must be lubricated daily.

**▲ WARNING** Disconnect the air tool from the air supply before lubricating.

1. Disconnect the air tool from the air supply.
2. Turn the air tool upside down.
3. While pulling the trigger, squeeze approximately a 1/4 oz. of Campbell Hausfeld airtool oil in the air inlet. If applicable, switch the forward and reverse valve in both directions.

**▲ WARNING** After an air tool has been lubricated, oil will discharge through the exhaust port during the first few seconds of operation. The exhaust port must be directed away from your body before applying air pressure.

4. Connect the air tool to the air supply and cover the exhaust port with a towel (refer to replacement parts manual for tool features). Run the tool in both the forward and reverse directions, if applicable, for 20 to 30 seconds. Oil will discharge from the exhaust port when air pressure is applied.

### KEYLESS CHUCK DRILL OPERATION

**▲ WARNING** Disconnect the air line before removing or installing a drill bit. Tightening or loosening the drill bit with air supply attached may cause injury.

#### TO INSTALL A DRILL BIT:

Hold the ring and turn the sleeve clockwise until drill bit is secured tightly (See Figure 2).

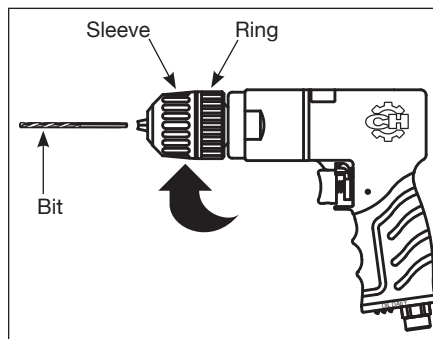


Figure 2

**Operation (Continued)**

**TO REMOVE A DRILL BIT:**

Hold the ring and turn the sleeve counterclockwise (See Figure 3).

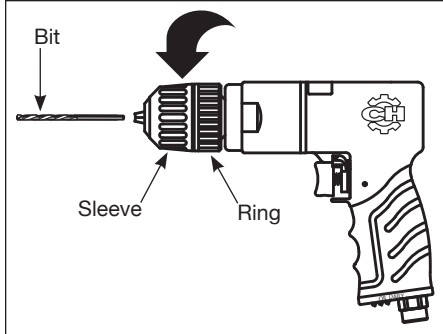


Figure 3

**CHUCK KEY DRILL OPERATION**

**⚠ WARNING** *Disconnect the air line before removing or installing a drill bit. Tightening or loosening the drill bit with air supply attached may cause injury.*

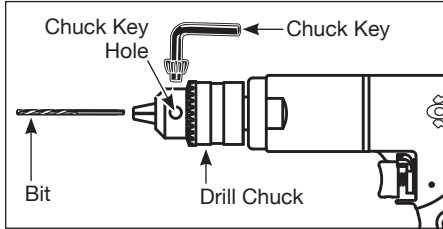


Figure 4 - Chuck Key

**TO INSTALL A DRILL BIT:**

Insert chuck key into one of the chuck key holes. Turn chuck key backwards to unlock jaws of drill (See Figure 5). Turn chuck counterclockwise to open jaws and insert bit. Turn key forward to lock bit into place (See Figure 6).

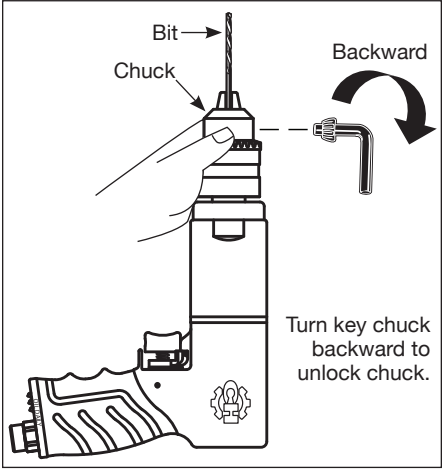


Figure 5

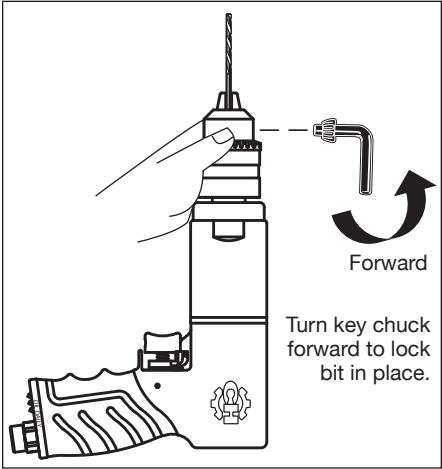


Figure 6

**TO REMOVE A DRILL BIT:**

Insert chuck key into chuck key hole. Turn chuck key backwards to unlock jaws of drill. Spin drill chuck counterclockwise to open jaws then remove bit (See Figure 5).

## Operation (Continued)

### DRILLING

1. Locate and mark the desired drill point with a center punch or an awl to provide a seat for the drill bit tip.
2. Secure workpiece in a vise or clamp.
3. Place drill bit tip on the exact drill point and start drill. Never apply a spinning drill bit to workpiece. Apply lubricant to drill bit when drilling metal to reduce friction.

**CAUTION** Forcing or applying excessive force to the drill can cause the bit to break.

4. Apply steady pressure while guiding the drill. Withdraw drill several times to clear cuttings when drilling deep holes.
5. Reduce drill pressure before totally cutting through workpiece to keep chuck from causing damage. Pull drill out of hole before releasing trigger.

### Maintenance

**WARNING** Release all pressure before attempting to install, service, relocate or perform any maintenance on the air system. Personal injury and/or property damage could occur.



### DRILL CHUCK REPLACEMENT

1. Unlock chuck. Fully open the jaws of the defective drill chuck by turning it counter-clockwise.
2. Remove lock screw on the inside of chuck with a 3 mm hex wrench.

**NOTE:** If lockscrew head is stripped or too tight to remove, it can be drilled out. Use a 5/16 inch drill bit in another drill and drill head off screw. The chuck cannot be removed unless lockscrew is removed or head is drilled off.

3. Unscrew the drill chuck. Turn chuck in a counterclockwise direction to release it from the drill.

**NOTE:** If chuck is too tight or motor spins with chuck, use an air powered impact wrench to loosen the chuck. Close the drill chuck jaws. Position impact wrench on chuck. Make sure the impact wrench is in the reverse position and apply steady pressure while attached to chuck. The chuck should loosen and spin off.

4. Install new drill chuck. Turn clockwise until hand tight.
5. Reinstall the 3 mm lock screw on inside of chuck.

### STORAGE

Lubricate air tool before storing. Follow lubrication instructions in Pre-Operation section with an exception to Step 4. Run drill for only 2 to 3 seconds so more oil will remain in air tool for storage.

### TECHNICAL SERVICE

For information regarding the operation or repair of this product, please call 1-855-504-5678.

### REPLACEMENT PARTS INFORMATION

For information regarding where to order replacement parts, call toll free 1-855-504-5678.

Please provide the following information:

- Model number
- Stamped code
- Part number and description

Address parts correspondence to:

Campbell Hausfeld  
100 Production Drive  
Harrison, Ohio 45030 U.S.A.

## General Troubleshooting Guide

Symptom	Possible Cause(s)	Corrective Action
Tool runs slowly or will not operate	1. Grit or gum in tool	1. Flush tool with Campbell Hausfeld air tool oil, gum solvent, or an equal mixture of SAE 10 motor oil and kerosene. If Campbell Hausfeld oil is not used, lubricate tool after cleaning.
	2. No oil in tool	2. Lubricate tool according to lubrication instructions in the Operation section.
	3. Low air pressure	3. Adjust compressor regulator to tool maximum while tool is running free.
	4. Air hose leaks	4. Tighten and seal hose fittings if leaks are found.
	5. Pressure drops	5. a. Be sure the hose is properly sized. Long hoses or tools using large volumes of air may require a hose with an I.D. of 1/2 inch or larger depending on total hose length.  5. b. Do not use multiple number of hoses connected with quick connect fittings. Additional pressure drop and reduced tool power is caused. Connect hoses directly together.
Moisture blowing out of tool	1. Water in tank	1. Drain tank. (See air compressor manual). Oil tool and run until no water is evident. Oil tool again and run 1-2 seconds.
	2. Water in the air lines/hoses	2. a. Install a water separator/filter (PA2100 or PA2110). <b>NOTE:</b> Separators work properly only when air stream is cool. Locate separator/filter as far as possible from compressor.  2. b. Install an air dryer.
Drill is jammed and will not turn	1. Gears or internal gears are stripped or worn	1. Inspect gears for damage and remove any broken gear parts. Replace gears assembly. Clean and regrease mating parts.*
	2. Motor bearings seized	2. Ensure motor spins freely. If not, replace motor assembly ensuring proper alignment.*
	3. Worn or cracked rotor blades	3. Ensure motor spins freely. If not, replace motor assembly ensuring proper alignment.*

\* When reassembling bearing housing, use Loctite® and first tighten by hand. Then, tighten housing completely when tool is running.







---

**REGISTER YOUR PRODUCT ONLINE NOW!**  
<http://reg.ch-commercial.com>

---

### **Limited Warranty**

1. DURATION: From the date of purchase by the original purchaser as follows: One Year.
2. WHO GIVES THIS WARRANTY (WARRANTOR): Campbell Hausfeld / A Marmon/Berkshire Hathaway Company Company, 100 Production Drive, Harrison, Ohio, 45030, Telephone: (855) 504-5678.
3. WHO RECEIVES THIS WARRANTY (PURCHASER): The original purchaser (other than for purposes of resale) of the Campbell Hausfeld product.
4. WHAT PRODUCTS ARE COVERED BY THIS WARRANTY: This Campbell Hausfeld air drill.
5. WHAT IS COVERED UNDER THIS WARRANTY: Substantial defects in material and workmanship which occur within the duration of the warranty period with the exceptions below.
6. WHAT IS NOT COVERED UNDER THIS WARRANTY:
  - A. Implied warranties, including those of merchantability and FITNESS FOR A PARTICULAR PURPOSE ARE LIMITED FROM THE DATE OF ORIGINAL PURCHASE AS STATED IN THE DURATION. Some States do not allow limitation on how long an implied warranty lasts, so the above limitations may not apply to you.
  - B. ANY INCIDENTAL, INDIRECT, OR CONSEQUENTIAL LOSS, DAMAGE, OR EXPENSE THAT MAY RESULT FROM ANY DEFECT, FAILURE, OR MALFUNCTION OF THE CAMPBELL HAUSFELD PRODUCT. Some States do not allow the exclusion or limitation of incidental or consequential damages, so the above limitation or exclusion may not apply to you.
  - C. Any failure that results from an accident, purchaser's abuse, neglect or failure to operate products in accordance with instructions provided in the owner's manual(s) supplied with product. Accident, purchaser's abuse, neglect or failure to operate products in accordance with instructions shall also include the removal or alteration of any safety devices. If such safety devices are removed or altered, this warranty is void.
  - D. Normal adjustments which are explained in the owner's manual(s) provided with the product.
  - E. Items or service that are normally required to maintain the product, e.g. o-rings, springs, gaskets, packings or seals, lubricants, motor vanes, chucks, screw driver bits, drill bits, planetary gears, or any other expendable part not specifically listed. These items will only be covered for ninety (90) days from date of original purchase. Underlined items are warranted for defects in material and workmanship only.
7. RESPONSIBILITIES OF WARRANTOR UNDER THIS WARRANTY: Repair or replace, at Warrantor's option, products or components which are defective, have malfunctioned and/or failed to conform within the duration of the specific warranty period.
8. RESPONSIBILITIES OF PURCHASER UNDER THIS WARRANTY:
  - A. Provide dated proof of purchase and maintenance records.
  - B. Call Campbell Hausfeld (855) 504-5678 to obtain your warranty service options. Freight costs must be borne by the purchaser.
  - C. Use reasonable care in the operation and maintenance of the products as described in the owner's manual(s).
9. WHEN WARRANTOR WILL PERFORM REPAIR OR REPLACEMENT UNDER THIS WARRANTY: Repair or replacement will be scheduled and serviced according to the normal work flow at the servicing location, and depending on the availability of replacement parts.

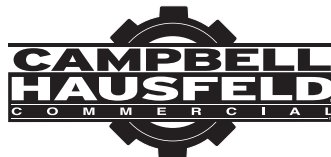
This Limited Warranty applies in the United States, Canada and Mexico only and gives you specific legal rights. You may also have other rights which vary from state to state or country to country.

---

**REMINDER: Keep your dated proof of purchase for warranty purposes!  
Attach it to this manual or file it for safekeeping.**

---

## Perceuses Pneumatiques



MODÈLES: CL154500, CL154600

### Description

Les perceuses pneumatiques sont conçues pour percer, rectifier, aléser, être utilisées comme scie-cloche et comme brosses métalliques.

La perceuse de 3/8 po, modèle CL154500, fonctionne à haute vitesse, rendant cet outil parfait pour percer du métal ou du bois.

La perceuse de 1/2 po, modèle CL154600, fournit un couple élevé à faible vitesse assurant ainsi une puissance supplémentaire pour de grands forets.

### Déballage

Dès que l'appareil est déballé, l'inspecter attentivement pour tout signe de dommages en transit.

**LIRE ET SUIVRE TOUTES LES INSTRUCTIONS.**

**CONSERVER CES INSTRUCTIONS  
NE LES JETEZ PAS**

### Directives de Sécurité

Ce manuel contient de l'information très importante qui est fournie pour la SÉCURITÉ et pour ÉVITER LES PROBLÈMES D'ÉQUIPEMENT. Rechercher les symboles suivants pour cette information.

**▲ DANGER** *Danger indique une situation hasardeuse imminente qui RÉSULTERA en perte de vie ou blessures graves.*

**▲ AVERTISSEMENT** *Avertissement indique une situation hasardeuse potentielle qui PEUT résulter en perte de vie ou blessures graves.*

**▲ ATTENTION** *Attention indique une situation hasardeuse potentielle qui PEUT résulter en blessures.*

**AVIS** *Avis indique de l'information importante pour éviter le dommage de l'équipement.*

**REMARQUE:** L'information qui exige une attention spéciale.

### Généralités sur la Sécurité

#### PROPOSITION 65 DE CALIFORNIE

**▲ AVERTISSEMENT** *Ce produit ou son cordon peuvent contenir des produits chimiques, y compris du plomb, relevés par l'État de Californie comme cause de cancer, d'anomalies congénitales ou d'autres problèmes reproductifs. Lavez-vous les mains après la manipulation.*

*Veillez lire et conserver ces instructions. Lire attentivement avant de commencer à assembler, installer, faire fonctionner ou entretenir l'appareil décrit. Protégez-vous et les autres en observant toutes les informations sur la sécurité. Négliger d'appliquer ces instructions peut résulter en des blessures corporelles et/ou en des dommages matériels ! Conserver ces instructions pour références ultérieures.*

## Généralités sur la Sécurité (Suite)

**⚠ AVERTISSEMENT** Vous pouvez



*créer de la poussière en coupant, ponçant, perçant ou meulant les matériaux tels que le bois, la peinture, le métal, le béton, le ciment ou autre maçonnerie. Cette poussière contient souvent des produits chimiques reconnus pour causer le cancer, les déformations congénitales ou autres problèmes de la reproduction. Porter de l'équipement de protection.*

### GÉNÉRALITÉS SUR LA SÉCURITÉ

Ce produit fait part d'un système haute pression et il faut respecter en tout temps les précautions de sécurité suivantes en plus de toute autre règle de sécurité actuelle.

1. Lire attentivement TOUS les manuels inclus avec ce produit. Bien se familiariser avec les commandes et l'utilisation adéquate de l'équipement.
2. SEULES les personnes bien familiarisées avec ces consignes de sécurité sont autorisées à se servir de l'outil pneumatique.



**⚠ DANGER** NE PAS dépasser



*la pression maximum de fonctionnement de l'outil pneumatique (621 kPa). Cet outil pneumatique POURRAIT exploser et entraîner la mort ou des blessures graves.*

3. RESPECTER la pression nominale de tous les éléments du système. La pression maximum de fonctionnement de 621 kPa est

mesurée à la prise d'air de l'outil en cours de fonctionnement. Il est nécessaire de compenser au niveau du compresseur la perte de pression entre le compresseur et l'outil.

**⚠ AVERTISSEMENT** Évacuer TOUTE



*pression du système avant d'entreprendre d'installer, de réviser, de déplacer le produit, ou de procéder à son entretien.*

4. Débrancher la source d'air de l'outil pneumatique lorsqu'il ne sert pas et avant de changer des outils et accessoires ou de procéder à une opération d'entretien.

**⚠ AVERTISSEMENT** Il est



*NÉCESSAIRE de porter des lunettes de sécurité et une protection auditive durant l'utilisation.*

5. NE PAS porter de vêtements amples, de foulards, de cravates ou de bijoux durant le fonctionnement d'un quelconque outil. Les vêtements amples et les bijoux pourraient se prendre dans des pièces mobiles et entraîner de graves blessures.
6. NE PAS appuyer sur la gâchette au moment du raccordement du tuyau d'alimentation d'air à l'outil.
7. NE PAS mettre les mains près ou sous des pièces mobiles.

**⚠ AVERTISSEMENT** Toute exposition excessive aux

*vibrations, tout travail dans des positions difficiles et tout mouvement répétitif peuvent entraîner des blessures aux mains et aux bras. Cesser l'utilisation d'un outil en cas de malaise, d'engourdissement, de fourmillements ou de douleur, et consulter un médecin.*

8. Vérifier les tuyaux d'air à la recherche de signes de faiblesse ou d'usure avant chaque utilisation. S'assurer que TOUS les branchements soient bien serrés.
9. Protéger les canalisations d'air contre les dommages et perforations. NE PAS transporter l'outil par le tuyau d'air.
10. NE JAMAIS appuyer sur la gâchette de l'outil tant que celui-ci n'est pas en contact avec l'objet de travail. Les accessoires DOIVENT être fixés solidement. Tout accessoire desserré peut provoquer de graves blessures.
11. TOUJOURS utiliser des accessoires conçus pour les outils pneumatiques. NE PAS utiliser d'accessoires endommagés ou usés.
12. Veiller à ce que TOUS les écrous, boulons et vis soient serrés et que l'équipement soit en bon état de marche.
13. TOUJOURS immobiliser l'objet de travail avec un étau ou un serre-joint.
14. NE JAMAIS diriger un outil pneumatique vers soi-même ni vers toute autre personne. Des blessures graves POURRAIENT en résulter.
15. TOUJOURS travailler dans une zone bien ventilée et porter un masque anti-poussières homologué OSHA.

## Fonctionnement

### INSTRUCTIONS D'INSTALLATION

Les outils pneumatiques nécessitent une alimentation en air propre et sec de 621 KPA (6,2 bars). Un système d'alimentation en air avec filtre, régulateur et lubrificateur (FRL), comme indiqué sur la Figure 1, doit être utilisé.

Nous recommandons le modèle FRL Campbell Hausfeld PA2104 de 9,5 mm (3/8 po) ou le PA2114 de 12,7 mm (1/2 po).

La présence d'eau dans l'alimentation en air peut endommager l'outil. Vidanger chaque jour le liquide de condensation du réservoir du compresseur et du filtre.

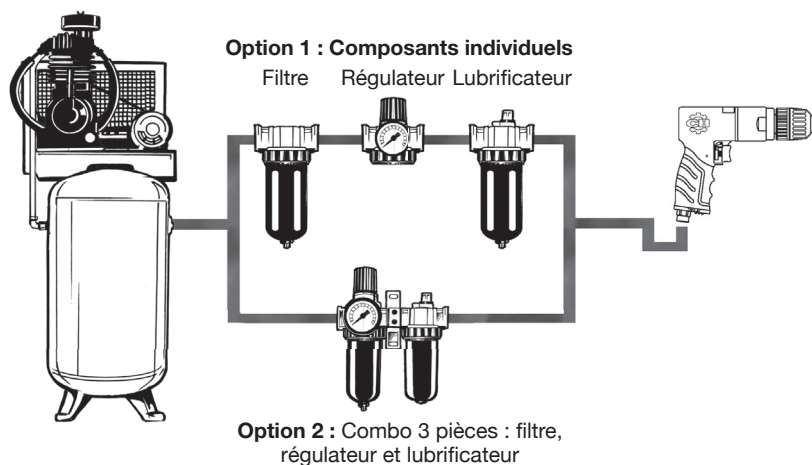


Figure 1

## Fonctionnement (Suite)

Tous les tuyaux et raccords doivent être de la bonne dimension et solidement fixés. Se référer au Tableau 1 pour les dimensions minimum.

Consommation d'air des outils	Diamètre intérieur du tuyau
Inférieure à 254 L/min pour une utilisation à 100 %	1/4 po
254 à 963 L/min pour une utilisation à 100 %	3/8 po
Supérieure à 963 L/min pour une utilisation à 100 %	1/2 po

**Tableau 1** - Diamètre minimum suggéré du tuyau à utiliser pour une longueur de tuyau de 15,25 m et une consommation continue en air de l'outil. L'utilisation de raccords et de tuyaux plus longs peut nécessiter l'utilisation d'un tuyau de plus grand diamètre.

**⚠ AVERTISSEMENT** *Ne pas utiliser de tuyaux ou de raccords endommagés ou détériorés.*

**⚠ AVERTISSEMENT** *Ne jamais transporter un outil en le tenant par le tuyau ni tirer sur celui-ci afin de déplacer l'outil ou un compresseur. Ne pas approcher les tuyaux de la chaleur, de l'huile ni des bords coupants. remplacer tout tuyau endommagé, peu robuste ou usé.*

### GRAISSAGE

Les outils pneumatiques exigent un graissage pendant toute leur durée de vie. Il appartient au propriétaire de se plier à ces exigences. L'absence d'un graissage correct de l'outil pneumatique peut en raccourcir considérablement la durée de vie et entraîner l'annulation de la garantie.

**⚠ ATTENTION** *Cet outil pneumatique exige un graissage AVANT la première utilisation puis AVANT et APRÈS chaque utilisation ultérieure.*

### LUBRIFICATION AUTOMATIQUE

La méthode de lubrification recommandée consiste en un lubrificateur installé sur un tuyau d'air et faisant partie intégrante du circuit de tuyauteries d'air. Voir la Figure 1. Utiliser l'huile pour outil pneumatique Campbell Hausfeld ST127000AV ou une huile ISO équivalente d'indice 32.

### LUBRIFICATION MANUELLE

Si un lubrificateur n'est pas présent sur le tuyau d'air, l'outil doit être lubrifié chaque jour.

**⚠ AVERTISSEMENT** *Débrancher l'outil pneumatique de l'alimentation en air avant de graisser.*

1. Débrancher l'outil pneumatique de l'alimentation en air.
2. Retourner l'outil pneumatique.
3. Tout en appuyant sur la gâchette, faire sortir à peu près 7,4 mL d'huile pneumatique dans la prise d'air. Le cas échéant, basculer la soupape d'inversion dans les deux sens.

**⚠ AVERTISSEMENT** *Une fois qu'un outil pneumatique a été graissé, de l'huile s'écoulera de l'orifice de sortie lors des quelques premières secondes de fonctionnement. Avant d'utiliser l'air sous pression, veiller à ce que l'orifice d'échappement ne soit pas dirigé vers vous.*

4. Raccorder l'outil pneumatique à l'alimentation en air et recouvrir l'orifice d'échappement avec un chiffon (se référer au manuel des pièces de rechange pour les caractéristiques de l'outil). Le cas échéant, faire fonctionner l'outil en marche avant et arrière pendant 20 à 30 secondes. L'huile se met à sortir de l'orifice d'échappement d'air une fois que l'air est sous pression.

## Fonctionnement (Suite)

### OPÉRATION DE LA PERCEUSE À MANDRIN SANS CLÉ

**⚠ AVERTISSEMENT** Débrancher la canalisation d'air avant d'enlever ou d'installer un foret. Le serrage ou le desserrage du foret avec la canalisation d'air branchée peut causer des blessures.

#### MONTAGE D'UN FORET :

Tenir la bague et tourner le manche au sens des aiguilles d'une montre jusqu'à ce que le foret soit bien fixé (Voir Figure 2).

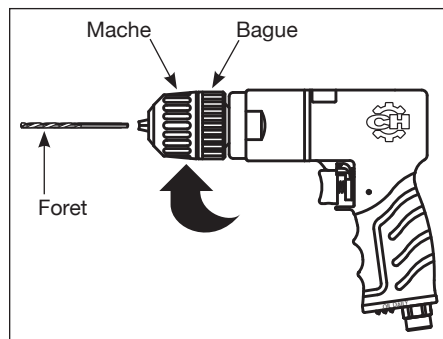


Figure 2

#### ENLEVAGE D'UN FORET :

Tenir la bague et tourner le manche au sens contraire des aiguilles d'une montre (Voir Figure 3).

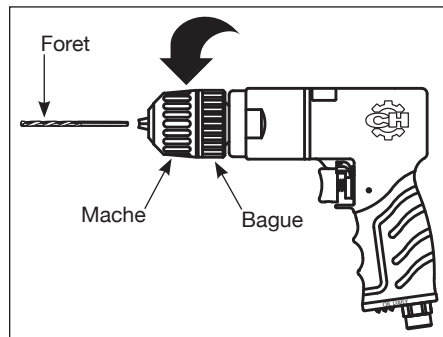


Figure 3

### OPÉRATION DE PERCEUSE À MANDRIN AVEC CLÉ

**⚠ AVERTISSEMENT** Débrancher la canalisation d'air avant d'enlever ou de monter un foret. Le serrage ou le desserrage d'un foret avec la canalisation d'air branchée peut causer des blessures.

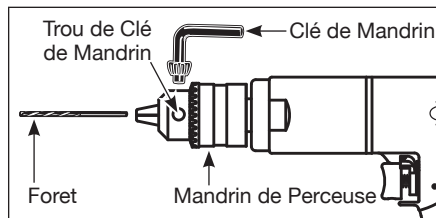


Figure 4 - Clé de Mandrin

#### MONTAGE D'UN FORET :

Introduire la clé de mandrin dans un des trous. Tourner la clé de mandrin vers l'arrière afin de déverrouiller les mâchoires de la perceuse (Voir Figure 5). Tourner le mandrin au sens contraire des aiguilles d'une montre afin d'ouvrir les mâchoires et ensuite introduire le foret. Tourner la clé vers l'avant afin de verrouiller le foret (Voir Figure 6).

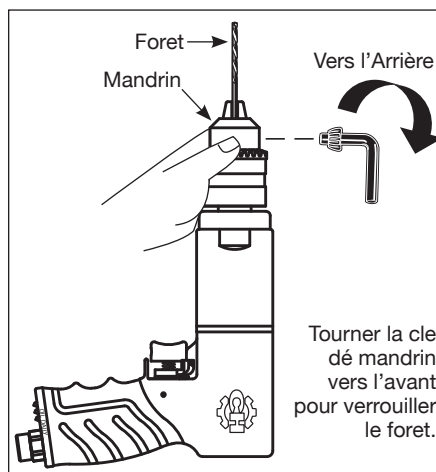


Figure 5

## Fonctionnement (Suite)

### ENLEVAGE D'UN FORET :

Introduire la clé de mandrin dans le trou de clé. Tourner la clé vers l'arrière afin de déverrouiller les mâchoires de la perceuse. Tourner le mandrin de la perceuse au sens contraire des aiguilles d'une montre afin d'ouvrir les mâchoires, et ensuite enlever le foret (Voir Figure 5).

### PERÇAGE

1. Situer et piquer le point désiré avec un pointeau ou une pointe afin de fournir un siège pour le foret de la perceuse.
2. Fixer l'objet dans un étau ou avec une bride.
3. Placer le bout du foret sur la pointe exacte et percer. Ne jamais mettre un foret tournant sur un objet de travail. Utiliser un lubrifiant sur le foret pendant le perçage du métal pour réduire le frottement.

**ATTENTION** *Forcer ou l'application de force excessive pourrait casser le foret.*

4. Appliquer une pression constante pendant le perçage. Enlever la perceuse plusieurs fois pendant le perçage des trous profonds afin d'enlever les copeaux.
5. Diminuer la pression sur la perceuse avant de couper à travers l'objet afin d'éviter le dommage causé par le mandrin. Tirer la perceuse hors du trou avant de lâcher la gâchette.

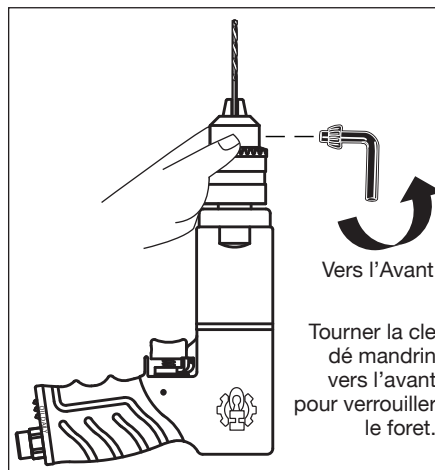


Figure 6



## Entretien

**AVERTISSEMENT** Dissiper toute la

pression avant d'essayer d'installer, maintenir, déplacer ou procéder à l'entretien. Sinon il pourrait y avoir des blessures personnelles et/ou des dommages à la propriété.



### REPLACEMENT DU MANDRIN DE PERCEUSE

1. Déverrouillez le mandrin. Ouvrez jusqu'au bout les mâchoires du mandrin défectueux de la perceuse en les faisant tourner dans le sens antihoraire.
2. Enlever la vis d'arrêt à l'intérieure du mandrin avec une clé hexagonale de 3 mm.

**REMARQUE :** Si la tête de la vis d'arrêt est foirée ou trop serrée, vous pouvez la percer. Utiliser un foret de 7,9 mm dans une autre perceuse et percer la tête de la vis. Le mandrin ne peut être enlevé sauf si la vis d'arrêt est enlevée ou si la tête est enlevée par le perçage.

3. Dévisser le mandrin. Tourner le mandrin au sens contraire des aiguilles d'une montre pour l'enlever de la perceuse.

**REMARQUE :** Si le mandrin est trop serré ou si le moteur tourne avec le mandrin, utiliser une clé à chocs pneumatique pour desserrer le mandrin. Fermer les mâchoires du mandrin de perçage. Mettre la clé à chocs sur le mandrin. S'assurer que la clé à chocs est dans la position inverse et appliquer une pression constante. Le mandrin va se desserrer et s'enlever.

4. Installer un nouveau mandrin. Tourner au sens des aiguilles d'une montre pour le serrer à main.
5. Installer de nouveau la vis d'arrêt de 3 mm à l'intérieur du mandrin.

### ENTREPOSAGE

Graisser l'outil avant de l'entreposer. Suivre les instructions de graissage dans la section Avant l'Opération sauf l'étape 4. Faire fonctionner la perceuse pendant 2 à 3 secondes seulement afin de garder plus d'huile dans l'outil pour l'entreposage.

### SERVICE TECHNIQUE

Pour des informations concernant le fonctionnement ou la réparation de ce produit, composer le 1-855-504-5678.

### INFORMATION CONCERNANT LES PIÈCES DE RECHANGE

Pour des renseignements sur la commande de pièces de rechange, appeler sans coût le numéro 1-855-504-5678.

S'il vous plaît fournir l'information suivante:

- Numéro de Modèle
- Code estampé
- No. et Description de Pièce

Correspondance Concernant les Pièces:  
Campbell Hausfeld  
100 Production Drive  
Harrison, Ohio 45030 U.S.A.

## Guide Général De Dépannage

Symptôme	Cause(s) Possible(s)	Mesures correctives
L'outil fonctionne lentement ou ne fonctionne pas	1. Présence de grenaille ou de gomme dans l'outil	1. FRincer l'outil avec de l'huile pour outils pneumatiques Campbell Hausfeld, du dissolvant de gomme ou un mélange en proportions égales d'huile de moteur SAE 10 et de kérosène. En cas d'utilisation d'un produit autre que l'huile Campbell Hausfeld, graisser l'outil après l'avoir nettoyé.
	2. Absence d'huile dans l'outil	2. Graisser l'outil conformément aux instructions de graissage dans la section Avant l'Opération.
	3. Pression d'air basse	3. Régler le régulateur du compresseur à la position maximum pendant que l'outil tourne dans le vide.
	4. Fuites dans le tuyau d'air	4. Serrer et assurer l'étanchéité des raccords du tuyau en cas de fuites.
	5. Chute de pression	5. a. S'assurer que le tuyau soit de la bonne taille. Les longs tuyaux ou les outils exigeant de grands volumes d'air peuvent nécessiter un tuyau de diamètre intérieur d'au moins 12,7 mm (1/2 po.), suivant la longueur totale du tuyau. 5. b. Ne pas utiliser plusieurs tuyaux reliés ensemble avec des raccords rapides. Cela provoque des chutes de pression supplémentaires et réduit la puissance de l'outil. Brancher les tuyaux directement les uns aux autres.
Humidité expulsée de l'outil	1. Présence d'eau dans le réservoir	1. Vidanger le réservoir. (Voir le manuel du compresseur.) Huiler l'outil et le faire tourner jusqu'à ce qu'il semble ne plus contenir d'eau. Huiler l'outil de nouveau et le faire tourner pendant 1-2 seconde(s).
	2. Présence d'eau dans les canalisations/ tuyaux d'air	2. a. Monter un séparateur/filtre d'eau (PA2100 or PA2110). <b>REMARQUE</b> : Les séparateurs ne fonctionnent correctement que lorsque l'air qui les traverse est frais. Positionner le séparateur/filtre aussi loin que possible du compresseur. 2. b. Installer un sécheur d'air.
La perceuse est bloquée et ne fonctionne pas	1. Engrenages ou engrenages internes forés ou usés	1. Inspecter les engrenages pour rechercher le dommage et enlever toutes les pièces cassées. Remplacer le montage d'engrenages. Nettoyer et graisser les pièces correspondantes.*
	2. Paliers de moteur grippés	2. S'assurer que le moteur tourne librement. Sinon, remplacer le montage de moteur et assurer l'alignement correct.*
	3. Lames de rotor usées ou fendues	3. S'assurer que le moteur tourne librement. Sinon, remplacer le montage de moteur et assurer l'alignement correct.*

\* Pour remonter le boîtier de roulements, utiliser Loctite® et serrer à la main en premier lieu. Ensuite serrer le boîtier complètement pendant que l'outil fonctionne.



---

**ENREGISTREZ VOTRE PRODUIT EN LIGNE MAINTENANT !**  
<http://reg.ch-commercial.com>

---

### **Garantie Limitée**

1. DURÉE : de la date d'achat de l'acheteur original comme suit : un (1) an.
2. GARANTIE ACCORDÉE PAR (GARANT): Campbell Hausfeld/A Marmon/Berkshire Hathaway Company Company, 100 Production Drive, Harrison, Ohio, 45030, Téléphone: (855) 504-5678.
3. BÉNÉFICIAIRE DE CETTE GARANTIE (ACHETEUR): L'acheteur original (sauf en cas de revente) du produit Campbell Hausfeld.
4. PRODUITS COUVERTS PAR CETTE GARANTIE: Cette perceuse pneumatique Campbell Hausfeld.
5. COUVERTURE DE LA PRÉSENTE GARANTIE: Défauts importants de matériaux et de main d'oeuvre qui se produisent durant la période de garantie à l'exception de ce qui est noté plus bas.
6. LA PRÉSENTE GARANTIE NE COUVRE PAS:
  - A. Les garanties implicites, y compris celles de commercialisabilité et D'ADAPTION À UNE FONCTION PARTICULIÈRE SONT LIMITÉES À PARTIR DE LA DATE D'ACHAT INITIALE TELLE QU'INDIQUÉE DANS LA SECTION DURÉE. Quelques Provinces (États) n'autorisent pas de limitations de durée pour les garanties implicites. Les limitations précédentes peuvent donc ne pas s'appliquer.
  - B. TOUT DOMMAGE, PERTE OU DÉPENSE FORTUIT OU INDIRECT POUVANT RÉSULTER DE TOUT DÉFAUT, PANNE OU MAUVAIS FONCTIONNEMENT DU PRODUIT CAMPBELL HAUSFELD. Quelques Provinces (États) n'autorisent pas l'exclusion ni la limitation des dommages fortuits ou indirects. La limitation ou exclusion précédente peut donc ne pas s'appliquer.
  - C. Toute panne résultant d'un accident, d'une utilisation abusive, de la négligence ou d'une utilisation ne respectant pas les instructions données dans le(s) manuel(s) accompagnant le produit. Un accident, l'utilisation abusive par l'acheteur, la négligence ou le manque de faire fonctionner les produits selon les instructions comprend aussi l'enlèvement ou la modification de n'importe quel appareil de sûreté. Si ces appareils de sûreté sont enlevés ou modifiés, la garantie sera annulée.
  - D. Réglages normaux qui sont expliqués dans le(s) manuel(s) d'utilisation accompagnant le produit.
  - E. Articles ou services qui sont exigés normalement pour l'entretien du produit, par ex. joints toriques, ressort, joints d'étanchéité, garnitures ou sceaux, lubrifiants, aubes du moteur, mandrins, mèches de tournevis, forets, engrenages planétaires ou toute autre pièce consommable non spécifiquement indiquée. Ces articles ne seront couverts que pendant quatre-vingt-dix (90) jours de la date d'achat original. Les articles soulignés sont garanties pour défauts de matière et de fabrication seulement.
7. RESPONSABILITÉS DU GARANT AUX TERMES DE CETTE GARANTIE: Réparer ou remplacer, au choix du Garant, les produits ou composants défectueux, qui ont connu une défaillance et/ou qui ne sont pas conformes pendant la durée précise de validité de la garantie.
8. RESPONSABILITÉS DE L'ACHETEUR AUX TERMES DE CETTE GARANTIE:
  - A. Fournir une preuve d'achat datée et un état d'entretien.
  - B. Appelez Campbell Hausfeld (855) 504-5678 pour obtenir vos options de service sous garantie. Les frais de transport sont la responsabilité de l'acheteur.
  - C. Utilisation et entretien du produit avec un soin raisonnable, ainsi que le décrit le(s) manuel(s) d'utilisation.
9. RÉPARATION OU REMPLACEMENT EFFECTUÉ PAR LE GARANT AUX TERMES DE LA PRÉSENTE GARANTIE: La réparation ou le remplacement sera prévu et exécuté en fonction de la charge de travail dans le centre de service et dépendra de la disponibilité des pièces de rechange.

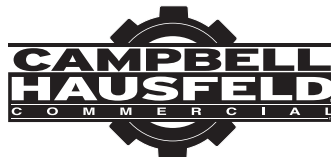
Cette Garantie Limitée s'applique aux É.-U., au Canada et au Mexique seulement et vous donne des droits juridiques précis. L'acheteur peut également jouir d'autres droits qui varient d'une Province, d'un État ou d'un Pays à l'autre.

---

**MÉMENTO: Gardez votre preuve datée d'achat à fin de la garantie!**  
**Joignez-la à ce manuel ou classez-la dans un dossier pour plus de sécurité.**

---

## Furadeiras Pneumáticas



MODELOS: CL154500, CL154600

### Descrição

Furadeiras pneumáticas foram desenvolvidas para perfurar, amolar, abrir orifícios e escovar.

A furadeira de 9,5 mm (3/8 pol.), modelo CL154500, opera em velocidades altas, tornando a ferramenta ideal para perfuração de metal ou madeira.

A furadeira de 12,7 mm (1/2 pol.), modelo CL154600, apresenta alto torque e baixas RPM, fornecendo força extra para brocas grandes.

### Remoção da Embalagem

Al desempacar este producto, revíselo con cuidado para cerciorarse de que esté en perfecto estado.

**LEIA E SIGA TODAS AS INSTRUÇÕES  
GUARDE ESTAS INSTRUÇÕES -  
NÃO DESCARTE**

### Normas de Segurança

Este manual contém informações muito importantes que devem ser conhecidas e compreendidas. Essas informações são fornecidas para **SEGURANÇA** e para **EVITAR PROBLEMAS NO EQUIPAMENTO**. Para ajudar a reconhecer essas informações, observe os seguintes símbolos.

#### **▲ PERIGO**

*Perigo indica uma situação eminentemente perigosa, que se não for evitada, causará a morte ou infortúnios graves.*

#### **▲ AVISO**

*Aviso indica uma situação potencialmente perigosa, que se não for evitada, poderá resultar em morte ou infortúnios graves.*

#### **▲ CUIDADO**

*Cuidado indica uma situação potencialmente perigosa, que se não for evitada poderá causar danos menos graves ou de grau moderado.*

#### **NOTA**

*Nota indica uma informação importante, que se não for seguida, poderá causar danos ao equipamento.*

**OBSERVAÇÃO:** Informações que requerem atenção especial.

### Informações Gerais Sobre Segurança

#### PROPOSIÇÃO 65 DA CALIFÓRNIA

#### **▲ AVISO**

*Este produto ou o seu cabo de força pode conter produtos químicos, incluindo o chumbo, conhecidos, no Estado da Califórnia, como causadores de câncer e defeitos congênitos ou outras lesões reprodutivas. Lave as mãos após manusear este produto.*

*Por favor, leia e guarde essas instruções. Leia com atenção antes de tentar montar, instalar, usar ou fazer manutenção no produto descrito. Siga todas as informações de segurança para proteger a si mesmo e a outras pessoas; caso contrário, podem ocorrer lesões pessoais e/ou danos materiais! Guarde essas instruções para futuras consultas.*

## Informações Gerais Sobre Segurança (Continuação)

### ⚠ AVISO

Você  
pode criar



**poeira ao cortar, lixar, furar ou esmerilar materiais tais como madeira, tinta, metal, concreto, cimento ou outro tipo de alvenaria. Esse pó frequentemente contém químicos conhecidos por causar câncer, defeitos congênitos ou outros danos reprodutivos. Use equipamento de proteção.**

### SEGURANÇA GERAL

Este produto é parte de um sistema de alta pressão e as seguintes precauções de segurança devem ser seguidas sempre junto com todas as outras regras de segurança existentes.

1. Leia com atenção TODOS os manuais inclusos neste produto. Familiarize-se com os controles e com o uso apropriado do equipamento.
2. SOMENTE pessoas bem familiarizadas com estas normas de operação segura devem ter permissão para usar a ferramenta pneumática.



### ⚠ PERIGO

NÃO  
exceda



**a pressão de operação da ferramenta pneumática (90 psi). A ferramenta pneumática PODERÁ explodir resultando em morte ou ferimentos pessoais graves.**

3. NÃO exceda os limites de pressão de quaisquer componentes do sistema. A pressão de operação máxima de 90 psi é medida na

entrada da ferramenta enquanto ela está em funcionamento. A queda de pressão entre o compressor e a ferramenta precisa ser compensada no compressor.

### ⚠ AVISO

Libere  
TODA a



**pressão do sistema antes de tentar instalar, utilizar, reposicionar ou realizar qualquer manutenção.**

4. Desconecte a ferramenta pneumática do suprimento de ar quando essa não estiver em uso e antes de trocar ferramentas, uniões ou realizar alguma manutenção.

### ⚠ AVISO

Os  
óculos de



**segurança e protetor auditivo DEVEM ser usados durante a operação.**

5. NÃO utilize roupas largas ou soltas, lenços, gravatas ou joias durante a utilização de quaisquer ferramentas. Roupas soltas ou joias podem prender nas peças em movimento resultando em ferimentos pessoais graves.
6. NÃO aperte o gatilho durante a conexão da mangueira de fornecimento de ar à ferramenta.
7. NÃO coloque as mãos próximas ou debaixo de peças móveis.

### ⚠ AVISO

A exposição  
excessiva à

**vibração, o trabalho em posições incômodas e os movimentos de trabalho repetitivos podem causar lesões às mãos e aos braços. Pare de usar qualquer ferramenta se ocorrer desconforto, dormência, formigamento ou dor e consulte um médico.**

8. Verifique se as mangueiras de ar estão fracas ou desgastadas antes de cada utilização. Certifique-se de que **TODAS** as conexões estejam firmes.
9. Proteja as linhas de ar contra danos ou furos. **NÃO** puxe a ferramenta pela mangueira de ar.
10. **NUNCA** acione a ferramenta quando não aplicada a um objeto de trabalho. As conexões **DEVEM** ser firmemente conectadas. Conexões frouxas podem causar dano sério.
11. **SEMPRE** use conexões projetadas para uso com ferramentas pneumáticas. **NÃO** use conexões danificadas ou gastas.
12. Mantenha apertados **TODAS** as porcas e parafusos e mantenha o equipamento em condições seguras de operação.
13. Fixe **SEMPRE** a peça de trabalho em uma morsa ou braçadeira.
14. **NUNCA** aponte uma ferramenta pneumática para si mesmo ou para outra pessoa. Isso **PODE** causar dano sério.
15. **SEMPRE** trabalhe em um ambiente bem ventilado e utilize uma máscara contra poeira aprovada pela OSHA.

## Operação

### INSTRUÇÕES DE INSTALAÇÃO

As ferramentas pneumáticas necessitam de um suprimento de ar limpo, seco a 90 psi (6,2 bar). Um sistema de suprimento de ar com filtro, regulador e lubrificante (FRL) como mostrado na Figura 1 deve ser usado.

Recomenda-se o modelo Campbell Hausfeld FRL PA2104 9,5 mm (3/8 pol) ou PA 2114 12,7 mm (1/2 pol).

Água no suprimento de ar pode danificar a ferramenta. Drene diariamente o condensado do tanque compressor e do filtro.

Todas as mangueiras e conexões devem ser do tamanho correto e estar firmemente presas. Consulte a Tabela 1 (página Pt 4) para tamanhos mínimos.

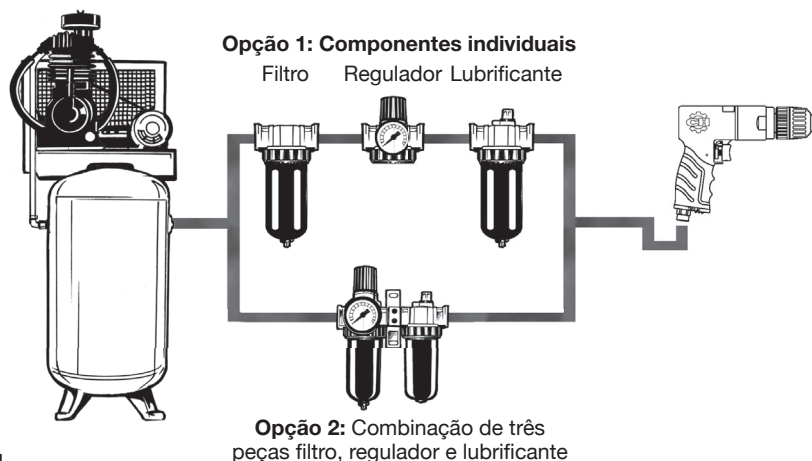


Figura 1

## Operação (Continuação)

Consumo da ferramenta pneumática	Diâmetro interno da mangueira
Menos de 254 L/min. a 100% de uso	6,4 mm
254 a 962 L/min. a 100% de uso	9,5 mm
Maior que 962 L/min. a 100% de uso	12,7 mm

**Tabela 1** - Diâmetro mínimo da mangueira sugerido para usar com base em mangueira de comprimento de 15,25 metros e classificação L/min. contínua da ferramenta. A utilização de conexões e mangueira mais longa pode exigir o uso de uma mangueira de diâmetro maior.

### ⚠ AVISO

**Não utilize mangueiras ou conexões que estiverem danificadas ou deterioradas.**

### ⚠ AVISO

**Nunca transporte uma ferramenta segurando pela mangueira e nunca puxe a mangueira para movimentar a ferramenta ou um compressor. Mantenha as mangueiras afastadas de calor, óleo e bordas afiadas. Troque as mangueiras que estiverem danificadas, fracas ou desgastadas.**

## LUBRIFICAÇÃO

As ferramentas pneumáticas requerem lubrificação ao longo da vida e é da responsabilidade do proprietário. A falta de lubrificação adequada da ferramenta pneumática diminui enormemente a vida da ferramenta e anula a sua garantia.

### ⚠ CUIDADO

**Esta ferramenta requer lubrificação ANTES do uso inicial e ANTES e APÓS cada uso adicional.**

## LUBRIFICAÇÃO AUTOMÁTICA

O método recomendado para a lubrificação é com um lubrificante de linha de ar instalado como parte do sistema de tubos de ar. Consulte a

Figura 1. Uso do óleo para ferramenta pneumática Campbell Hausfeld ST127000AV ou óleo equivalente ISO grau 32.

## LUBRIFICAÇÃO MANUAL

Se um lubrificante de linha de ar não é usado, a ferramenta deve ser lubrificada diariamente.

### ⚠ AVISO

**Desconecte a ferramenta pneumática do suprimento de ar antes de lubrificar.**

1. Desconecte a ferramenta pneumática do suprimento de ar.
2. Vire a ferramenta pneumática para baixo.
3. Vire a chave de fenda para baixo. Enquanto segura o gatilho, despeje aproximadamente 7,4 mL de óleo Campbell Hausfeld na entrada de ar. Se aplicável, mude a válvula para frente e para trás em ambos os sentidos.

### ⚠ AVISO

**Após a lubrificação da ferramenta pneumática, ocorre a saída de óleo pelo orifício de exaustão durante os primeiros segundos da operação. O orifício de exaustão deve estar direcionado para longe do seu corpo antes de aplicar pressão de ar.**

4. Conecte a ferramenta pneumática à fonte de suprimento de ar e cubra o orifício de exaustão com uma toalha (consulte as características da ferramenta no manual de peças). Coloque a ferramenta em funcionamento em ambas as direções, se aplicável, durante 20 a 30 segundos. Ocorre a descarga de óleo do orifício de exaustão quando se aplica a pressão pneumática.



## Operação (Continuação)

### OPERAÇÃO DE FURADEIRA DE MANDRIL SEM CHAVE

**AVISO** Desconecte a linha de ar antes de remover ou instalar uma broca. Apertar ou afrouxar a broca com o abastecimento de ar conectado pode causar danos.

#### PARA INSTALAR UMA BROCA:

Segure o anel e gire a luva no sentido horário até que a broca esteja firmemente presa (consulte a Figura 2).

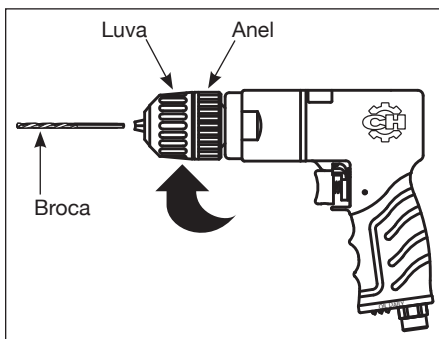


Figura 2

#### PARA REMOVER UMA BROCA:

Segure o anel e gire a luva no sentido anti-horário (consulte a Figura 3).

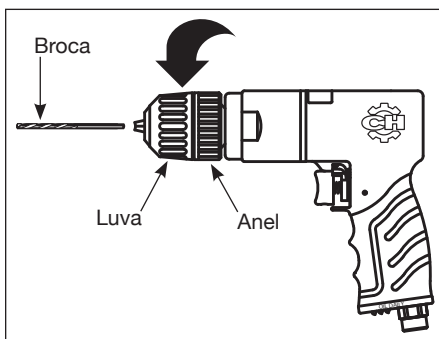


Figura 3

### OPERAÇÃO DE FURADEIRA DE CHAVE DE MANDRIL

**AVISO** Desconecte a linha de ar antes de remover ou instalar uma broca. Apertar ou afrouxar a broca com o abastecimento de ar conectado pode causar danos.

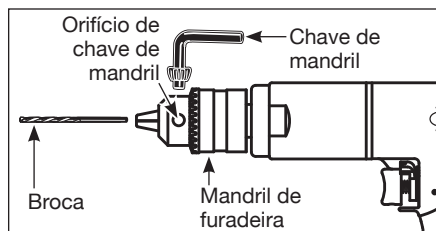


Figura 4 - Chave de mandril

#### PARA INSTALAR UMA BROCA:

Insira a chave de mandril em um dos orifícios de chave de mandril. Gire o mandril para trás para destravar os mordentes da furadeira (consulte a Figura 5). Gire o mandril no sentido anti-horário para abrir os mordentes e insira a broca. Gire a chave para frente para travar a broca em seu lugar (consulte a Figura 6).

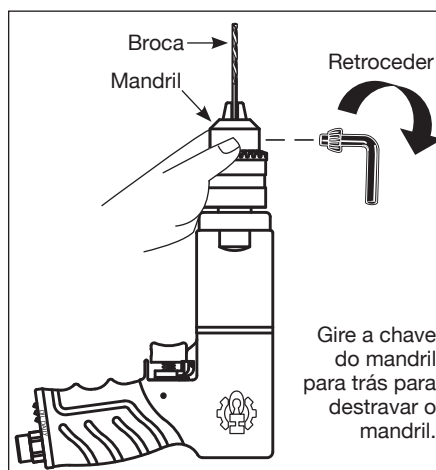


Figura 5

## Operação (Continuação)

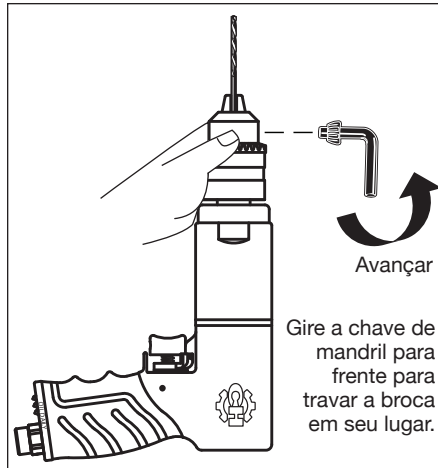


Figura 6

### PARA REMOVER UMA BROCA:

Insira a chave de mandril em seu orifício. Gire a chave de mandril para trás para destravar os mordentes da furadeira. Gire o mandril da furadeira no sentido anti-horário para abrir os mordentes e depois remova a broca (consulte a Figura 5).

## PERFURAÇÃO

1. Localize e marque o ponto da furadeira com uma punção central ou um furador para fornecer um suporte para a ponta da broca da furadeira.
2. Prenda a peça de trabalho em um tornilho ou grampo.
3. Coloque a ponta da broca de furadeira no ponto de perfuração exato e comece o trabalho. Nunca aplique uma ponta de furadeira girando em uma peça de trabalho. Aplique lubrificante à ponta da broca ao perfurar metal para reduzir a fricção.

**⚠ CUIDADO** *Forçar ou aplicar uma força excessiva na furadeira pode quebrar o mandril.*

4. Aplique pressão fixa ao guiar a furadeira. Retire a furadeira várias vezes para limpar os cortes ao fazer orifícios profundos.
5. Reduza a pressão de perfuração antes de cortar totalmente a peça de trabalho para evitar que o mandril cause danos. Retire a broca do orifício antes de soltar o gatilho.

## Manutenção

### ▲ AVISO

*Libere  
toda a*



**pressão antes de tentar realizar a instalação, reparo, mudar de local ou efetuar qualquer tipo de manutenção no sistema de ar. Podem ocorrer lesões pessoais e/ou danos à propriedade.**

### SUBSTITUIÇÃO DE MANDRIL DE FURADEIRA

1. Destrave o mandril. Abra completamente os mordentes do mandril de furadeira defeituoso ao girá-lo no sentido anti-horário.
  2. Remova o parafuso de trava dentro do mandril com uma chave hexagonal de 3 mm.
- OBSERVAÇÃO:** Caso a cabeça do parafuso de trava esteja espanada ou muito apertada para ser removida, ela pode ser perfurada. Use uma broca de furadeira de 7,9 mm (5/16 pol.) em outra furadeira e retire o parafuso da cabeça da furadeira. O mandril só pode ser removido caso o parafuso de trava ou o cabeçote sejam retirados.
3. Desparafuse o mandril de furadeira. Gire o mandril no sentido anti-horário para liberá-lo da furadeira.

**OBSERVAÇÃO:** Caso o mandril esteja muito apertado ou o motor gire com o mandril, use uma chave de impacto pneumática para afrouxar o mandril. Feche os mordentes do mandril. Posicione a chave de impacto no mandril. Certifique-se de que a chave de impacto esteja na posição reversa e aplique pressão firme ao conectar o mandril. O mandril deve ser afrouxado e girado para fora.

4. Instale o novo mandril de furadeira. Gire no sentido horário até estar firme.
5. Reinstale o parafuso de trava de 3 mm dentro do mandril.

### ARMAZENAMENTO

Lubrifique a ferramenta pneumática antes de armazená-la. Siga as instruções de lubrificação na seção de pré-operação, com exceção da etapa 4. Opere a ferramenta por apenas 2 a 3 segundos para que mais óleo permaneça na ferramenta pneumática para armazenamento.

### ASSISTÊNCIA TÉCNICA

Para informações sobre a operação ou reparo deste produto, por favor entre em contato com o centro de assistência técnica Campbell Hausfeld mais próximo.

### INFORMAÇÕES SOBRE AS PEÇAS DE REPOSIÇÃO

Para obter informações sobre onde pedir peças de reposição, ligue grátis para 1-855-504-5678.

Forneça as seguintes informações:

- Número do modelo
- Código impresso
- Número de peça e descrição

Envie a correspondência sobre as peças para:

Campbell Hausfeld  
100 Production Drive  
Harrison, Ohio 45030 U.S.A.

### Guia geral de detecção de problemas

Sintoma	Possíveis causas	Ação a tomar
A ferramenta gira lentamente ou não opera	1. Partículas ou resina na ferramenta	1. Limpe a ferramenta com óleo para ferramentas pneumáticas da Campbell Hausfeld, solvente de partículas ou uma mistura igual de óleo de motor SAE 10 e querosene. Caso o óleo da Campbell Hausfeld não seja usado, lubrifique a ferramenta após limpá-la.
	2. Falta de óleo na ferramental	2. Lubrifique a ferramenta de acordo com as instruções na seção Operação.
	3. Baixa pressão de ar	3. Ajuste o regulador do compressor para o máximo da ferramenta enquanto ela está ligada mas sem operar.
	4. Vazamento de mangueiras de ar	4. Aperte e vede os encaixes de mangueira no caso de vazamentos.
	5. Quedas de pressão	5. a. Certifique-se de que a mangueira tenha a dimensão correta. Mangueiras grandes ou ferramentas usando grandes volumes de ar podem exigir uma mangueira com um diâmetro interno de 12,7 mm (1/2 pol.) ou mais dependendo do comprimento total da mangueira. 5. b. Não use várias mangueiras conectadas com encaixes de conexão rápida. Isto causa queda de pressão adicional e reduz a força da ferramenta. Conecte as mangueiras diretamente juntas.
Umidade saindo da ferramenta	1. Água no tanque	1. Drene o tanque (consulte o manual do compressor de ar). Lubrifique a ferramenta e deixe-a ligada até não ver mais água. Lubrifique a ferramenta novamente e ligue-a por 1 a 2 segundos.
	2. Água nas linhas/ mangueiras de ar	2. a. Instale um separador/filtro de água (PA2100 ou PA2110). <b>OBSERVAÇÃO:</b> Separadores só funcionam adequadamente quando o fluxo de ar está fresco. Posicione o separador/filtro o mais longe possível do compressor. 2. b. Instale um secador de ar.

## Guia geral de detecção de problemas

Problema	Causa(s) Posível(s)	Accion a tomar
A furadeira está emperrada e não gira	1. Engrenagens ou engrenagens internas estão espanadas ou gastas	1. Inspeccione as engrenagens em busca de danos e remova quaisquer partes quebradas. Substitua a unidade das engrenagens. Limpe e lubrifique novamente as peças correspondentes.*
	2. Mancais do motor estão agarrados	2. Certifique-se de que o motor gire livremente. Do contrário, substitua a unidade do motor garantindo alinhamento adequado.*
	3. Lâminas de rotor trincadas ou gastas	3. Certifique-se de que o motor gire livremente. Do contrário, substitua a unidade do motor garantindo alinhamento adequado.*

\* Ao montar novamente o alojamento de mancal, use Loctite® e aperte primeiramente com as mãos. Depois, aperte o alojamento completamente quando a ferramenta estiver ligada.

### Notas

---



---



---



---



---



---



---



---



---



---



---



---



---



---



---



---



---



---

---

**REGISTRE SEU PRODUTO ON-LINE AGORA!**

<http://reg.ch-commercial.com>

---

### **Garantia Limitada**

1. **DURAÇÃO:** A partir da data de compra por parte do comprador original, da seguinte maneira: Um (1) ano.
2. **QUEM CONCEDE ESTA GARANTIA (GARANTIDOR):** Campbell Hausfeld / A Marmon/Berkshire Hathaway Company Company, 100 Production Drive, Harrison, Ohio, 45030, Telefone: (855) 504-5678.
3. **QUEM RECEBE ESTA GARANTIA (COMPRADOR):** O comprador original (não para objetivo de revenda) dos produtos da Campbell Hausfeld.
4. **QUAIS SÃO OS PRODUTOS COBERTOS POR ESTA GARANTIA:** Esta furadeira pneumática da Campbell Hausfeld
5. **O QUE ESTÁ COBERTO NESTA GARANTIA:** Defeitos substanciais no material e na fabricação que ocorrerem dentro da vigência do período de garantia com exceção dos casos abaixo.
6. **O QUE NÃO ESTÁ COBERTO NESTA GARANTIA:**
  - A. **Garantias implícitas**, incluindo as de comerciabilidade e ADEQUAÇÃO PARA UM OBJETIVO ESPECÍFICO SÃO LIMITADAS A PARTIR DA DATA DA COMPRA ORIGINAL, CONFORME ESTABELECIDO NO ITEM DURAÇÃO ACIMA. Alguns estados (nos Estados Unidos) não permitem limites referentes ao prazo de duração da garantia implícita, de forma que os limites acima podem não se aplicar ao seu caso.
  - B. **QUALQUER PERDA, DANO OU DESPESA INCIDENTAIS, INDIRETOS OU RESULTANTES QUE POSSAM RESULTAR DE QUALQUER DEFEITO, FALHA OU MAU FUNCIONAMENTO DOS PRODUTOS DA CAMPBELL HAUSFELD.** Alguns estados (nos Estados Unidos) não permitem a exclusão ou limite de danos incidentais ou resultantes, de forma que o limite e exclusão acima podem não se aplicar ao seu caso.
  - C. **Qualquer falha resultante de acidente, abuso por parte do comprador, negligência ou da não operação do produto de acordo com as instruções no(s) manual(ais) do proprietário que acompanha(m) este produto. Acidente, abuso por parte do comprador, negligência, não operação dos produtos de acordo com as instruções incluirão também a retirada ou alteração de qualquer dispositivo de segurança. Se tais dispositivos de segurança forem retirados ou alterados, esta garantia será anulada.**
  - D. **Ajustes normais explicados nos manuais do proprietário são fornecidos com o produto.**
  - E. **Peças de substituição que costumam ser necessárias à manutenção do produto, por exemplo, anéis, molas, gaxetas, vedações ou isolamentos, lubrificantes, lâminas do motor, mandris, parafuso, brocas de unidade, brocas de furadeira, engrenagens planetárias ou qualquer outra. Estes itens estarão cobertos apenas por noventa (90) dias a partir da data da compra original. Os itens sublinhados possuem garantia apenas para defeitos de materiais e de fabricação.**
7. **RESPONSABILIDADES DO GARANTIDOR DE ACORDO COM ESTA GARANTIA:** Repare ou substitua, a critério do avalista, produtos ou componentes que apresentam defeito, mau funcionamento e/ou falhas de conformidade dentro do período de garantia especificado.
8. **RESPONSABILIDADES DO COMPRADOR DE ACORDO COM ESTA GARANTIA:**
  - A. **Fornecer comprovante de compra datado e registros de manutenção.**
  - B. **Ligue para a Campbell Hausfeld (855) 504-5678 para obter suas opções de serviço de garantia. Os custos de frete devem ser pagos pelo comprador.**
  - C. **Usar cuidado adequado na operação e manutenção dos produtos conforme descrito no(s) manual(ais) do proprietário.**
9. **QUANDO O GARANTIDOR IRÁ CONSERTAR OU SUBSTITUIR DE ACORDO COM ESTA GARANTIA:** Consertos ou substituições serão programados e realizados de acordo com o fluxo de trabalho normal no local de conserto e dependendo da disponibilidade da peças de substituição.

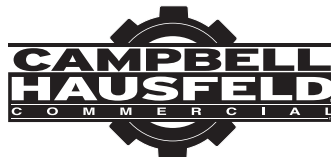
Esta garantia limitada é válida somente nos E.U.A., no Canadá e no México e oferece direitos legais específicos. Você pode também ter outros direitos, que variam de um estado para outro (nos Estados Unidos), ou de um país para outro.

---

**LEMBRETE: Guarde sua comprovação de compra datada até o fim da garantia!  
Junte-a a este manual o arquite-a para mais segurança.**

---

## Taladros Neumáticos



MODELOS: CL154500, CL154600

### Descripción

Los taladros neumáticos son están diseñados para el taladrado , afilado, abocardado, aserrado de hoyos y trabajo con cepillo de alambre.

El taladro de 9,5 mm (3/8 pulg.), modelo CL154500 opera en altas velocidades haciendo de esta una herramienta ideal para taladrar sobre metal o madera.

El taladro de 12,7 mm (1/2 pulg.), modelo CL154600, es de alto torque y bajas RPM suministrando fuerza extra para brocas largas.

### Desempaque

Al desempacar este producto, revíselo con cuidado para cerciorarse de que esté en perfecto estado.

**LEA Y SIGA TODAS LAS INSTRUCCIONES**

**GUARDE ESTAS INSTRUCCIONES –  
NO LAS DESECHE**

### Medidas de Seguridad

Este manual contiene información que es muy importante que sepa y comprenda. Esta información se la suministramos como medida de SEGURIDAD y para EVITAR PROBLEMAS CON EL EQUIPO. Debe reconocer los siguientes símbolos.

**▲ PELIGRO** *Ésto le indica que hay una situación inmediata que LE OCASIONARIA la muerte o heridas de gravedad.*

**▲ ADVERTENCIA** *Ésto le indica que hay una situación que PODRIA ocasionarle la muerte o heridas de gravedad.*

**▲ PRECAUCION** *Ésto le indica que hay una situación que PODRIA ocasionarle heridas no muy graves.*

**AVISO** *Ésto le indica una información importante, que de no seguirla, le podría ocasionar daños al equipo.*

**NOTA:** Información que requiere atención especial.

### Informaciones Generales de Seguridad

#### PROPOSICIÓN 65 DE CALIFORNIA

**▲ ADVERTENCIA** *Este producto, o su cable de corriente pueden contener químicos, incluido plomo, que es conocido por el Estado de California como causante de cáncer y defectos de nacimiento u otros daños reproductivos. Lávese las manos después de manipularlo.*

*Por favor lea y guarde estas instrucciones. Léalas cuidadosamente antes de tratar de montar, instalar, operar o dar mantenimiento al producto aquí descrito. Protéjase usted mismo y a los demás observando toda la información de seguridad. ¡El no cumplir con las instrucciones puede ocasionar daños, tanto personales como a la propiedad! Guarde estas instrucciones para referencia en el futuro.*

## Informaciones Generales de Seguridad (Continuación)

**⚠ ADVERTENCIA** Cuando corta lija,

taladra o pule materiales como por ejemplo madera, pintura, metal, hormigón, cemento, u otro tipo de mampostería se puede producir polvo. Con frecuencia este polvo contiene productos químicos que se conocen como causantes de cáncer, defectos congénitos u otros daños reproductivos. Use equipo de protección.



### INFORMACIONES GENERALES DE SEGURIDAD

Este producto es parte de un sistema de alta presión y siempre deben seguirse las siguientes medidas de seguridad al igual que otras medidas de seguridad establecidas.

1. Lea atentamente TODOS los manuales incluidos con este producto. Familiarícese bien con los controles y el uso adecuado del equipo.



2. Esta herramienta neumática SÓLO debe ser usada por personas que estén bien familiarizadas con las reglas de seguridad de manejo.

**⚠ PELIGRO** NO exceda la presión

máxima de funcionamiento de la herramienta neumática (6,21 bar), la cual PODRÍA explotar y ocasionar la muerte o lesiones graves.



3. NO exceda ninguna capacidad máxima de presión de ningún componente del sistema. La presión

máxima de trabajo de 6,21 bar se mide en la entrada de aire de la herramienta con la herramienta encendida. El compresor de aire debe compensar la baja de presión entre éste y la herramienta.

**⚠ ADVERTENCIA** Descargue TODA la

presión del sistema antes de intentar instalar, dar servicio, reubicar o efectuar cualquier mantenimiento.



4. Desconecte el suministro de aire a la herramienta cuando no esté en uso y antes de cambiar herramientas, accesorios o efectuar mantenimiento.

**⚠ ADVERTENCIA** Use

SIEMPRE protección para los oídos y gafas de seguridad durante el funcionamiento.



5. NO use ropa suelta, bufandas, corbatas o joyas cuando opere cualquier herramienta. La ropa o joyas sueltas pueden quedar atrapadas en las partes móviles y ocasionar lesiones graves.
6. NO presione el gatillo cuando conecte la manguera de suministro de aire a la herramienta.
7. NO ponga las manos cerca o debajo de piezas en movimiento.

**⚠ ADVERTENCIA** La exposición excesiva a la

vibración, trabajar en posiciones incómodas y los movimientos de trabajo repetitivos pueden causar lesiones a las manos y brazos. Deje de usar cualquier herramienta si aparece incomodidad, entumecimiento, cosquilleo o dolor y consulte a un médico.



8. Antes de cada uso compruebe que las mangueras de aire no estén debilitadas o desgastadas. Asegúrese de que **TODAS** las conexiones estén seguras.
9. Proteja las líneas de aire de daños o perforaciones. **NO** lleve la herramienta por la manguera de aire.
10. **NUNCA** oprima el gatillo a menos que la herramienta esté en la pieza de trabajo. Los accesorios **DEBEN** estar bien conectados. Si los accesorios están flojos le podrían ocasionar heridas graves.
11. **SIEMPRE** use accesorios que estén diseñados para usarse con herramientas neumáticas. **NO** use accesorios que estén dañados o desgastados.
12. Mantenga ajustadas **TODAS** las tuercas, pernos y tornillos, y compruebe que el equipo se encuentre en estado de funcionamiento seguro.
13. **SIEMPRE** coloque la pieza en una prensa de tornillos o abrazadera.
14. **NUNCA** apunte la herramienta neumática hacia usted ni hacia otras personas. Esto **PODRÍA** ocasionar heridas de gravedad.
15. Trabaje **SIEMPRE** en un lugar bien ventilado y use una máscara para polvo aprobada por la OSHA (Administración de Seguridad y Salud Ocupacional de EE. UU.).

## Funcionamiento

### INSTRUCCIONES DE MONTAJE

Las herramientas neumáticas requieren un suministro de aire limpio y seco a 6,2 bar (90 psi). Se debe usar un sistema de suministro de aire con filtro, regulador y lubricador (FRL) como se muestra en la Figura 1.

Se recomienda FRL modelo PA2104 (9,5 mm [3/8 pulg.]) o PA2114 (12,7 mm [1/2 pulg.]) de Campbell Hausfeld.

El agua en el suministro de aire puede dañar la herramienta. Drene la condensación del tanque compresor y filtre diariamente.

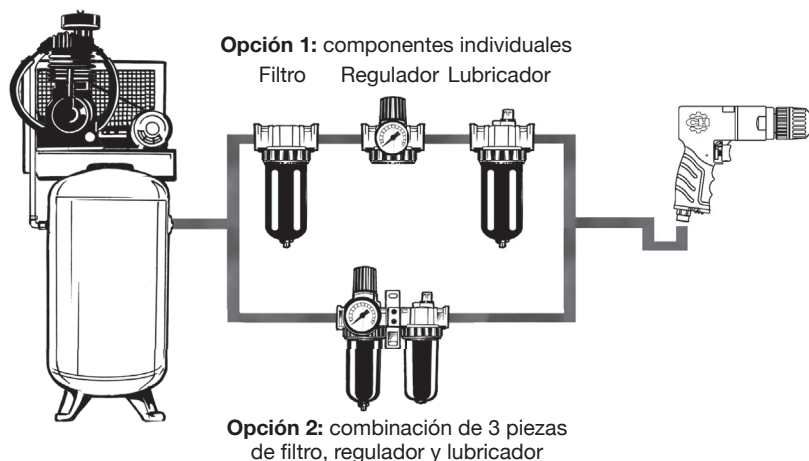


Figura 1

## Funcionamiento (Continuación)

Todas las mangueras y conexiones deben ser del tamaño correcto y estar bien ajustadas. Consulte la Tabla 1 para conocer los tamaños mínimos.

Consumo de aire de la herramienta	DI de la manguera
Menos de 254 L/min. al 100% del uso	6,4 mm
254 a 962 L/min. al 100% del uso	9,5 mm
Más de 962 L/min. al 100% del uso	12,7 mm

**Tabla 1** - El diámetro mínimo sugerido de la manguera para usar basado en una manguera de 15,25 m de largo y calificación continua L/min. de la herramienta. El uso de conexiones y una manguera más larga podría requerir el uso de una manguera de mayor diámetro.

**⚠ ADVERTENCIA** *No use mangueras ni conexiones que estén dañadas o deterioradas.*

**⚠ ADVERTENCIA** *Nunca cargue una herramienta por la manguera o hale la manguera para mover la herramienta o un compresor. Mantenga las mangueras alejadas del calor, aceite o puntas afiladas, reemplace cualquier manguera que esté dañada, deteriorada o desgastada.*

## LUBRICACIÓN

Las herramientas neumáticas requieren lubricación a lo largo de la vida útil de la herramienta y esto es responsabilidad del propietario. Si no lubrica en forma adecuada la herramienta de aire, acortará dramáticamente la vida útil de la misma y anulará la garantía.

**⚠ PRECAUCIÓN** *Esta herramienta neumática requiere lubricación ANTES del uso inicial y ANTES y DESPUÉS de cada uso adicional.*

## LUBRICACIÓN AUTOMÁTICA

El método recomendado para la lubricación es con un lubricador de línea de aire instalado como parte del sistema de tuberías de aire. Vea la Figura 1. Use el aceite ST127000AV para herramientas neumáticas de Campbell Hausfeld o un aceite equivalente a ISO 32.

## LUBRICACIÓN MANUAL

Si no se usa un lubricador de línea de aire, la herramienta debe lubricarse diariamente.

**⚠ ADVERTENCIA** *Desconecte la herramienta neumática del suministro de aire antes de lubricar.*

1. Desconecte la herramienta neumática del suministro de aire.
2. Dé vuelta la herramienta neumática.
3. Mientras tira del gatillo, introduzca aproximadamente 7,4 ml (1/4 onza) de aceite para herramientas neumáticas Campbell Hausfeld en la entrada de aire. Si correspondiera, coloque la válvula de avance y retroceso en ambas direcciones.

**⚠ ADVERTENCIA** *Luego de haber lubricado una herramienta neumática, saldrá aceite a través del puerto de escape durante los primeros segundos de funcionamiento. El puerto de escape debe dirigirse en sentido opuesto a su cuerpo antes de aplicar la presión de aire.*

4. Conecte la herramienta neumática al suministro de aire y cubra el puerto de escape con una toalla (consulte el manual de piezas de repuesto para conocer las funciones de la herramienta). Haga funcionar la herramienta en las direcciones de avance y retroceso, si correspondiera, durante 20 a 30 segundos. Cuando se aplica la presión de aire, el aceite sale del puerto de escape.

## Funcionamiento (Continuación)

### OPERACIÓN DEL TALADRO CON PORTABROCAS SIN LLAVE

**⚠ ADVERTENCIA** *Desconecte la línea de aire antes de retirar o instalar una broca. Se pueden ocasionar lesiones al apretar o aflojar la broca con el suministro de aire conectado.*

#### PARA INSTALAR LA BROCA:

Sujete el aro y haga girar la camisa en sentido de las agujas del reloj hasta que la broca quede sujeta firmemente (Vea la Figura 2).

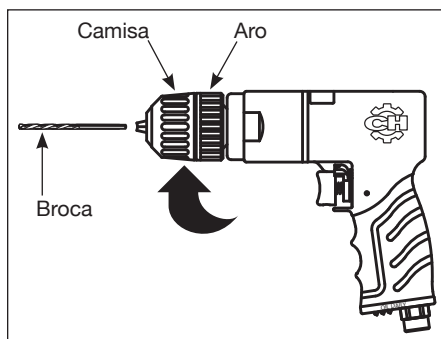


Figura 2

#### PARA RETIRAR LA BROCA:

Sujete el aro y gire la camisa en sentido opuesto a las agujas del reloj (Vea la Figura 3).

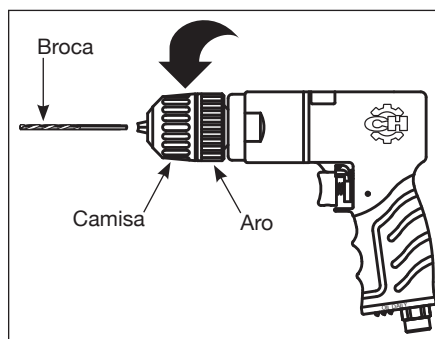


Figura 3

### OPERACIÓN DEL TALADRO CON PORTABROCAS CON LLAVE

**⚠ ADVERTENCIA** *Desconecte la línea de aire antes de retirar o instalar una broca. Se pueden ocasionar lesiones al apretar o aflojar la broca con el suministro de aire conectado.*

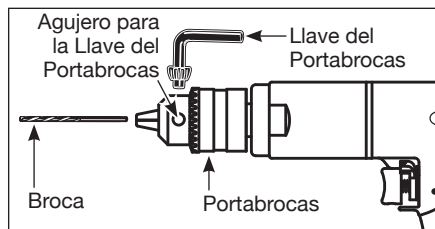


Figura 4 - Llave del Portabrocas

## Funcionamiento (Continuación)

### PARA INSTALAR LA BROCA:

Introduzca la llave del portabrocas en uno de los agujeros del mismo. Gire la llave hacia atrás para desbloquear las quijadas del taladro (Vea la Figura 5). Gire el portabrocas en dirección opuesta a las agujas del reloj para abrir las quijadas e introducir la broca. Gire la llave hacia adelante para bloquear la broca en su lugar (Vea la Figura 6).

### PARA RETIRAR LA BROCA:

Introduzca la llave del portabrocas en el agujero del mismo. Gire la llave hacia atrás para desbloquear las quijadas del taladro. Gire el portabrocas en sentido opuesto a las agujas del reloj para abrir las quijadas y sacar la broca (Vea la Figura 5).

### TALADRAR

1. Ubique y marque el punto que desea taladrar con un punzón de centrado o lezna para proporcionar una guía para la punta de la broca.
2. Asegure la pieza de trabajo en una mordaza o prensa de sujeción.
3. Coloque la punta de la broca en el punto exacto donde desea taladrar y taladre. Nunca aplique un taladro encendido a la pieza de trabajo. Aplique lubricante a la broca al taladrar metales para reducir la fricción.

**⚠ PRECAUCIÓN** *Forzar o aplicar fuerza excesiva al taladro puede hacer que la broca se quiebre.*

4. Aplique presión constante mientras guía el taladro. Saque el taladro varias veces para quitar el material perforado al taladrar agujeros profundos.

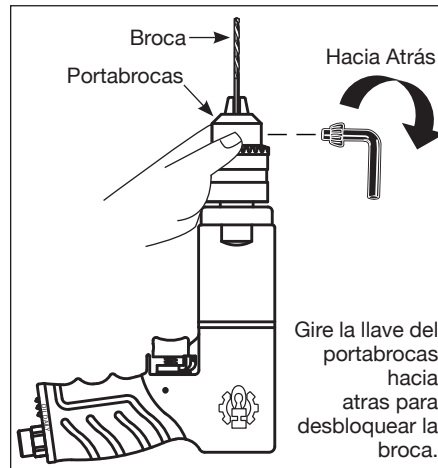


Figura 5

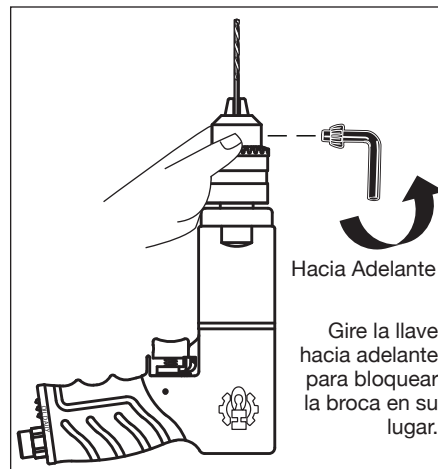


Figura 6

5. Reduzca la presión al taladro, antes de atravesar completamente la pieza de trabajo, para que el portabrocas no ocasione daños. Saque el taladro del agujero antes de liberar el gatillo.

## Mantenimiento

**▲ ADVERTENCIA** Libere toda la

presión del sistema antes de tratar de instalar, darle servicio, reubicar o darle cualquier tipo de mantenimiento al sistema de aire. De no hacerlo podría ocasionarle heridas personales o daños a su propiedad.



### REEMPLAZO DEL PORTABROCAS DEL TALADRO

1. Abra el mandril. Abra completamente las mordazas del mandril defectuoso girándolo en sentido inverso de las manecillas del reloj.
2. Quite el tornillo de bloqueo que está dentro del portabrocas con una llave hexagonal de 3 mm (sólo en los modelos reversibles).

**NOTA:** Si la cabeza del tornillo de bloqueo está desgastada o demasiado apretada para retirarlo, se puede sacar con otro taladro. Utilice una broca de 7,9 mm (5/16 pulg.) con otro taladro para taladrar la cabeza del tornillo. El portabrocas no se puede retirar al menos que se elimine el tornillo de bloqueo o se taladre la cabeza del mismo.

3. Destornille el portabrocas del taladro. Gire el portabrocas en sentido contrario a las agujas del reloj para liberarlo del taladro.

**NOTA:** Si el portabrocas está demasiado apretado o si el motor gira con el portabrocas, utilice una llave de impacto neumática para aflojar el portabrocas. Cierre las quijadas del portabrocas del taladro. Coloque la llave de impacto en las quijadas del portabrocas. Cerciórese de que la llave de impacto esté en la posición de reversa y aplique presión continua mientras esté adherida al portabrocas. El portabrocas debe aflojarse y destornillarse.

4. Install new drill chuck. Turn clockwise until hand tight.
5. Reinstall the 3 mm lock screw on inside of chuck.

### ALMACENAMIENTO

Lubrique la herramienta neumática antes de almacenarla. Siga las instrucciones de lubricación en la sección denominada Pre-operación, con excepción al paso 4. Sólo haga funcionar el taladro durante 2 a 3 segundos para que más aceite permanezca en la herramienta neumática al almacenarla.

### ASISTENCIA TÉCNICA

Para mayor información en relación al funcionamiento o reparación de este producto, comuníquese con el concesionario de Campbell Hausfeld más cercano a su domicilio.

### INFORMACIÓN SOBRE REPUESTOS

Para obtener información con respecto a piezas de repuesto pedidas, llame sin costo al 1-855-504-5678.

Sírvase suministrarnos la siguiente información:

- Número del Modelo
- Código estampado
- Número y descripción del repuesto.

Puede escribirnos a:  
Campbell Hausfeld  
100 Production Drive  
Harrison, Ohio 45030 U.S.A.

## Guía General de Diagnóstico de Averías

Problema	Causa(s) Posible(s)	Acción a tomar
La herramienta funciona demasiado lenta o no funciona	1. Hay arena o goma en la herramienta	1. Limpie la herramienta con aceite para herramientas hidráulicas Campbell Hausfeld, solvente de goma o una mezcla de mitad de aceite para motor SAE 10 y mitad queroseno. Si no utiliza aceite Campbell Hausfeld, lubrique la herramienta después de limpiarla.
	2. No hay aceite en la herramienta	2. Lubrique la herramienta según las instrucciones de lubricación en la sección denominada Pre-operación.
	3. Baja presión de aire	3. Ajuste el regulador del compresor al máximo permitido por la herramienta mientras ésta funciona libremente.
	4. Fugas en la manguera de aire	4. Apriete y selle los accesorios de la manguera, si consigue fugas.
	5. Baja la presión	5. a. Asegúrese de que el tamaño de la manguera sea el apropiado. Las mangueras largas o las herramientas que utilizan grandes volúmenes de aire pueden requerir una manguera con un D.I. de 12,7 mm (1/2 pulg.) o superior, según el tamaño total de la manguera. 5. b. No utilice varias mangueras conectadas con accesorios de conexión rápida. Se produce una baja adicional de presión y reduce la potencia de la herramienta. Conecte las mangueras juntas irectamente.
Sale humedad por la herramienta	1. Hay agua en el tanque	1. Vacíe el tanque (vea el manual del compresor de aire). Lubrique la herramienta y hágala funcionar hasta que no haya agua. Vuelva a lubricar la herramienta y hágala funcionar por 1 a 2 segundos.
	2. Hay agua en las líneas/ mangueras de aire	2. a. Instale un separador/filtro de agua (PA2100 or PA2110). <b>NOTA:</b> Los separadores funcionan debidamente sólo cuando el flujo de aire está fresco. Ubique el separador/filtro lo más lejos posible del compresor. 2. b. Instale un secador de aire.

**Guía General de Diagnóstico de Averías**

Problema	Causa(s) Posible(s)	Acción a tomar
El taladro está atascado y no funciona	1. Los engranajes o los engranajes internos están desgastados  2. Los cojinetes del motor se atascaron  3. Las aspas del rotor están desgastadas o fisuradas	1. Inspeccione los engranajes para ver si tienen daños y elimine cualquier parte averiada de los engranajes. Reemplace el ensamblado de los engranajes. Limpie y vuelva a lubricar todas las piezas que se acoplan.*  2. Cerciórese de que el motor gire libremente. Si no lo hace, reemplace el ensamblado del motor, asegurando la alineación apropiada.*  3. Cerciórese de que el motor gire libremente. Si no lo hace, reemplace el ensamblado del motor, asegurando la alineación apropiada.*

\* Cuando vuelva a ensamblar el alojamiento de los cojinetes, utilice Loctite® y, primero, apriételo a mano. Luego apriete el alojamiento completamente, cuando la herramienta esté en funcionamiento.

**Notas**

---

---

---

---

---

---

---

---

---

---

---

---

---

---

---

---

---

---

---

---

---

---

---

**¡REGISTRE SU PRODUCTO EN LÍNEA AHORA MISMO!**  
<http://reg.ch-commercial.com>

---

### **Garantía Limitada**

1. DURACION: A partir de la fecha de compra por el comprador original tal como se especifica a continuación: Un año.
2. QUIEN OTORGA ESTA GARANTIA (EL GARANTE: Campbell Hausfeld / The A Marmon/Berkshire Hathaway Company Company 100 Production Drive, Harrison, Ohio 45030 Teléfono: (800) 543-6400
3. QUIEN RECIBE ESTA GARANTIA (EL COMPRADOR): El comprador original (que no sea un revendedor) del producto Campbell Hausfeld.
4. PRODUCTOS CUBIERTOS POR ESTA GARANTIA: Este taladro neumático Campbell Hausfeld.
5. COBERTURA DE LA GARANTIA: Los defectos substanciales de material y fabricación que ocurran dentro del período de validez de la garantía.
6. LO QUE NO ESTA CUBIERTO POR ESTA GARANTIA:
  - A. Las garantías implícitas, incluyendo aquellas de comercialidad E IDONEIDAD PARA FINES PARTICULARES, ESTAN LIMITADOS A LO ESPECIFICADO EN EL PARRAFO DE DURACION. Si este producto es empleado para uso comercial, industrial o para renta, la garantía será aplicable por noventa (90) días a partir de la fecha de compra. En algunos estados no se permiten limitaciones a la duración de las garantías implícitas, por lo tanto, en tales casos esta limitación no es aplicable.
  - B. CUALQUIER PERDIDA DAÑO INCIDENTAL, INDIRECTO O CONSECUENTE QUE PUEDA RESULTAR DE UN DEFECTO, FALLA O MALFUNCIONAMIENTO DEL PRODUCTO CAMPBELL HAUSFELD. En algunos estados no se permite la exclusión o limitación de daños incidentales o consecuentes, por lo tanto, en tales casos esta limitación o exclusión no es aplicable.
  - C. Cualquier falla que resulte de un accidente, abuso, negligencia o incumplimiento de las instrucciones de funcionamiento y uso indicadas en el (los) manual(es) que se adjunta(n) al producto. Dichos accidentes, abusos por parte del comprador, o falta de operar el producto siguiendo las instrucciones del manual de instrucciones suministrado también debe incluir la desconexión o modificación de los instrumentos de seguridad. Si dichos instrumentos de seguridad son desconectados, la garantía quedaría cancelada.
  - D. Los ajustes normales explicados en el(los) manual(es) suministrado(s) con el producto.
  - E. Artículos o servicios normalmente requeridos para el mantenimiento del producto, tales como: anillos en O, resortes, empaques, almohadillas o sellos, lubricantes, álabes de motores, mandriles, brocas para destornillador, engranes planetarios o cualquier otro artículo desgastable que no se haya enumerado específicamente. Estos artículos sólo estarán cubiertos bajo esta garantía por noventa (90) días a partir de la fecha de compra original. Los artículos subrayados sólo están garantizados por defectos de material o fabricación.
7. RESPONSABILIDADES DEL GARANTE BAJO ESTA GARANTIA: Reparar o reemplazar, como lo decida el Garante, los productos o componentes que estén defectuosos, se hayan dañado o hayan dejado de funcionar adecuadamente, durante el período de validez de la garantía
8. RESPONSABILIDADES DEL COMPRADOR BAJO ESTA GARANTIA:
  - A. Suministrar prueba fechada de compra y la historia de mantenimiento del producto.
  - B. Entregar o enviar el producto o componente Campbell Hausfeld al Centro de Servicio autorizado Campbell Hausfeld más cercano. Los gastos de flete, de haberlos, deben ser pagados por el comprador.
  - C. Seguir las instrucciones sobre operación y mantenimiento del producto, tal como se indica(n) en el (los) manual(es) del propietario
9. CUANDO EFECTUARA EL GARANTE LA REPARACION O REEMPLAZO CUBIERTO BAJO ESTA GARANTIA: La reparación o reemplazo dependerá del flujo normal de trabajo del centro de servicio y de la disponibilidad de repuestos.

Esta garantía limitada es válida sólo en los EE.UU., Canadá y México y otorga derechos legales específicos. Usted también puede tener otros derechos que varían de un Estado a otro. o de un país a otro.

---

**RECORDATORIO: ¡Guarde su comprobante de compra con fecha para fines de la garantía!**  
**Adjúntela a este manual o archívela en lugar seguro.**

---