

See Warranty on page 8 for important information about commercial use of this product.

Operating Instructions and Parts List

FP202800, FP202900

Please read and save these instructions. Read carefully before attempting to assemble, install, operate or maintain the product described. Protect yourself and others by observing all safety information. Failure to comply with instructions could result in personal injury and/or property damage! Retain instructions for future reference.

CAMPBELL HAUSFELD® Oilless Compressors

Description

Oilless compressors are designed for do-it-yourselfers with a variety of home and automotive jobs. These units operate without oil. Compressed air from this unit will contain moisture. Install a water filter or air dryer if application requires dry air.

Unpacking

After unpacking the unit, inspect carefully for any damage that may have occurred during transit. Make sure to tighten fittings, bolts, etc., before putting unit into service. In case of questions, damaged or missing parts, please call 1-800-543-6400 for customer assistance.

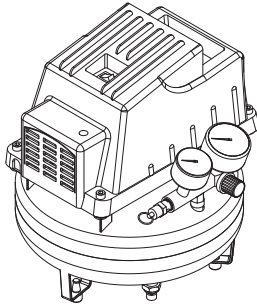
Have the date code, model number, and parts list (with missing parts circled) before calling.



**DO NOT RETURN
THE PRODUCT TO
THE RETAILER!**

▲ WARNING Do not operate unit if damaged during shipping, handling or use. Damage may result in bursting and cause injury or property damage.

**READ & FOLLOW ALL
INSTRUCTIONS
SAVE THESE INSTRUCTIONS
DO NOT DISCARD**



Record the Model No., Serial No. and date of purchase located on the base below the pump in the space below.

Model No. FP202800, FP202900

Serial No. _____

Date of purchase _____

Retain these numbers for future reference.

Safety Guidelines

This manual contains information that is very important to know and understand. This information is provided for SAFETY and to PREVENT EQUIPMENT PROBLEMS. To help recognize this information, observe the following symbols.

▲ DANGER Danger indicates an imminently hazardous situation which, if not avoided, WILL result in death or serious injury.

▲ WARNING Warning indicates a potentially hazardous situation which, if not avoided, COULD result in death or serious injury.

▲ CAUTION Caution indicates a potentially hazardous situation which, if not avoided, MAY result in minor or moderate injury.

▲ DANGER

Breathable Air Warning

This compressor/pump is not equipped and should not be used "as is" to supply breathing quality air. For any application of air for human consumption, the air compressor / pump will need to be fitted with suitable in-line safety and alarm equipment. This additional equipment is necessary to properly filter and purify the air to meet minimal specifications for Grade D breathing as described in Compressed Gas Association Commodity Specification G 7.1 - 1966, OSHA 29 CFR 1910.134, and/or Canadian Standards Associations (CSA).

DISCLAIMER OF WARRANTIES

In the event the compressor is used for the purpose of breathing air application and proper in-line safety and alarm equipment is not simultaneously used, existing warranties shall be voided, and Campbell Hausfeld disclaims any liability whatsoever for any loss, personal injury or damage.

NOTICE Notice indicates important information, that if not followed, may cause damage to equipment.

NOTE: Information that requires special attention.

REMINDER: Keep your dated proof of purchase for warranty purposes! Attach it to this manual or file it for safekeeping.

General Safety Information

CALIFORNIA PROPOSITION 65


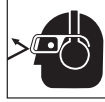
⚠ WARNING *This product or its power cord may contain chemicals, including lead, known to the State of California to cause cancer and birth defects or other reproductive harm. Wash hands after handling.*


⚠ WARNING *You can create dust when you cut, sand, drill or grind materials such as wood, paint, metal, concrete, cement, or other masonry. This dust often contains chemicals known to cause cancer, birth defects, or other reproductive harm. Wear protective gear.*




GENERAL SAFETY

Since the air compressor and other components (material pump, spray guns, filters, lubricators, hoses, etc.) used, make up a high pressure pumping system, the following safety precautions must be observed at all times:

1. Read all manuals included with this product carefully. Be thoroughly familiar with the controls and the proper use of the equipment. 
2. Follow all local electrical and safety codes as well as in the United States, the National Electrical Codes (NEC) and Occupational Safety and Health Act (OSHA).
3. Only persons well acquainted with these rules of safe operation should be allowed to use the compressor.
4. Keep visitors away and NEVER allow children in the work area.
5. Wear safety glasses and use hearing protection when operating the unit. 
6. Do not stand on or use the unit as a handhold.
7. Before each use, inspect compressed air system and electrical components for signs of damage, deterioration, weakness or leakage. Repair or replace defective items before using.
8. Check all fasteners at frequent intervals for proper tightness.

⚠ WARNING *Motors, electrical equipment and controls can cause electrical arcs that will ignite a flammable gas or vapor. Never operate or repair in or near a flammable gas or vapor. Never store flammable liquids or gases in the vicinity of the compressor.* 

⚠ CAUTION *Compressor parts may be hot even if the unit is stopped.* 


9. Keep fingers away from a running compressor; fast moving and hot parts will cause injury and/or burns.
10. If the equipment should start to vibrate abnormally, STOP the engine/motor and check immediately for the cause. Vibration is generally a warning of trouble.
11. To reduce fire hazard, keep engine/motor exterior free of oil, solvent, or excessive grease.

⚠ WARNING *An ASME code safety relief valve with a setting no higher than 150 psi MUST be installed in the tank for this compressor. The ASME safety valve must have sufficient flow and pressure ratings to protect the pressurized components from bursting.*

⚠ CAUTION *See compressor specification decal for maximum operating pressure. Do not operate with pressure switch or pilot valves set higher than the maximum operating pressure.*

12. Never attempt to adjust ASME safety valve. Keep safety valve free from paint and other accumulations.

⚠ WARNING *Never use plastic (PVC) pipe for compressed air. Serious injury or death could result.*

⚠ DANGER *Never attempt to repair or modify a tank! Welding, drilling or any other modification will weaken the tank resulting in damage from rupture or explosion. Always replace worn, cracked or damaged tanks.* 


NOTICE *Drain liquid from tank daily.*

13. Tanks rust from moisture build-up, which weakens the tank. Make sure to drain tank regularly and inspect periodically for unsafe conditions such as rust formation and corrosion.

14. Fast moving air will stir up dust and debris which may be harmful. Release air slowly when draining moisture or depressurizing the compressor system.

SPRAYING PRECAUTIONS

⚠ WARNING *Do not spray flammable materials in vicinity of open flame or near ignition sources including the compressor unit.* 

15. Do not smoke when spraying paint, insecticides, or other flammable substances.
16. Use a face mask / respirator when spraying and spray in a well ventilated area to prevent health and fire hazards. 
17. Do not direct paint or other sprayed material at the compressor. Locate compressor as far away from the spraying area as possible to minimize overspray accumulation on the compressor.
18. When spraying or cleaning with solvents or toxic chemicals, follow the instructions provided by the chemical manufacturer.

Introduction

Refer to Figure 4 to locate the following items.

ON / OFF Switch (I / O) - Push switch to the ON (I) position to turn compressor on. Push switch to the OFF (O) position to turn compressor off. This switch should be in the OFF (O) position when connecting / disconnecting power cord from electrical outlet or when changing tools.

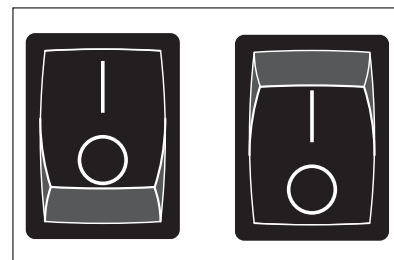


Figure 1

Introduction (Continued)

Pressure Switch (located internally)- When the compressor is turned ON, this switch will shut compressor off automatically when tank pressure reaches maximum shut-off / cut-out pressure. If compressor remains on and air is depleted from tank, this switch will allow compressor to automatically restart at the restart / cut-in pressure.

Regulator - The regulator controls the amount of air pressure released at the hose outlet. Turning the regulator knob clockwise (to the right) will increase air pressure at the outlet. Turning the knob counter-clockwise (to the left) will lower air pressure to the outlet. Turning knob fully counter-clockwise will shut off flow of air completely.

Pressure Gauges - There are two gauges located next to the regulator. These gauges read air pressure in pounds per square inch (psi) The larger gauge shows pressure at the outlet. Make sure this gauge reads ZERO (by adjusting the regulator) BEFORE changing air tools or disconnecting hose from outlet. The small gauge shows pressure in the tank indicating compressor is building pressure properly.

ASME Safety Valve - This valve automatically releases air if the tank pressure exceeds the preset maximum.

Handle - Designed to move the compressor.

Drain Valve - This valve is located on the bottom of the tank. Use this valve to drain moisture from the tank daily to reduce the risk of corrosion.

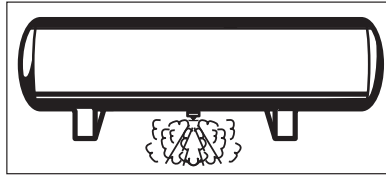


Figure 2

Installation

LOCATION

It is extremely important to use the compressor in a clean, well ventilated area where the surrounding air temperature will not be more than 100°F.

A minimum clearance of 18 inches between the compressor and a wall is required because objects could obstruct air flow.

CAUTION Do not locate the compressor air inlet near steam, paint spray, sandblast areas or any other source of contamination. This debris will damage the motor.

GROUNDING INSTRUCTIONS

1. This product is for use on a nominal 120 volt circuit and has a grounding plug that looks like the plug illustrated in Figure 3. Make sure the product is connected to an outlet having the same configuration as the plug. This product must be grounded. In the event of an electrical short circuit, grounding reduces risk of electrical shock by providing an escape wire for electric current. This product is equipped with a cord having a grounding wire with an appropriate grounding plug. Plug must be plugged into an outlet that is properly installed and grounded in accordance with all local codes and ordinances.

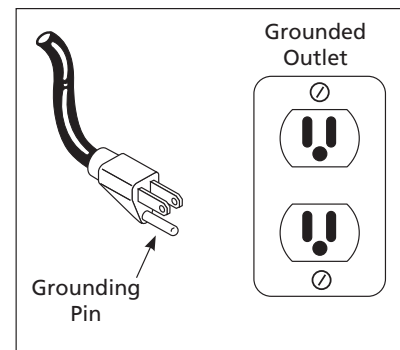


Figure 3 - Grounding Method

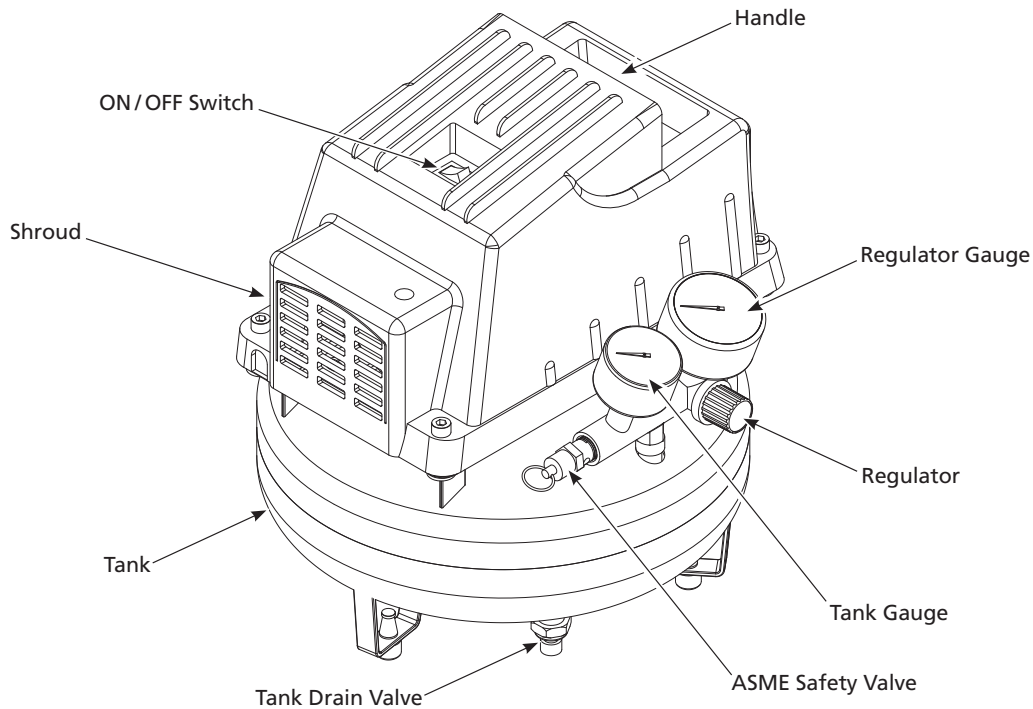


Figure 4

Installation (Continued)

⚠ DANGER *Improper use of grounding plug can result in a possible risk of electrical shock!*



⚠ DANGER *Do not use a grounding adapter with this product!*

- If repair or replacement of cord or plug is necessary, do not connect grounding wire to either flat blade terminal. The wire with insulation having an external surface that is green (with or without yellow stripes) is the grounding wire.

⚠ WARNING *Never connect green (or green and yellow) wire to a live terminal.*

- Check with a qualified electrician or serviceman if grounding instructions are not completely understood, or if in doubt as to whether product is properly grounded. Do not modify plug provided; if it will not fit outlet, have proper outlet installed by a qualified electrician.

⚠ CAUTION *Overheating, short circuiting and fire damage will result from inadequate wiring.*

LUBRICATION

This is an oilless product and **DOES NOT** require lubrication to operate.

Pre-Operation

BEFORE FIRST START-UP BREAK-IN PROCEDURE

(Complete this procedure before using compressor for the first time. Once completed, it is not necessary to repeat.)

- Turn regulator knob fully clockwise (to the right) to open air flow.
- Do not** attach a hose or any other fitting to the compressor.
- Turn **ON/OFF** switch to **OFF** position.
- Plug in power cord.
- Turn **ON/OFF** switch to **ON** position and run compressor for 30 minutes.
- Turn **ON/OFF** switch to **OFF** position.
- Unplug power cord.

The compressor is now ready for use.

BEFORE EACH START-UP OPERATING PROCEDURE

- Turn regulator knob fully counterclockwise (to the left) to close air flow.
- Connect air hose to outlet of regulator.
- Turn **ON/OFF** switch to **OFF** position.
- Plug in power cord.
- Turn **ON/OFF** switch to **ON** position and let compressor run until it reaches automatic shutoff pressure.
- Attach tire chuck or tool to end of hose.
- Turn regulator knob clockwise (to the right) to desired pressure of tool being used.

Operation

START-UP

⚠ CAUTION *Do not attach air tools to open end of the hose until start-up is completed and the unit checks OK.*

ON/OFF CYCLING OF COMPRESSOR

In the **ON/AUTO** position, the compressor pumps air into the tank. When a shut-off (preset "cut-out") pressure is reached, the compressor automatically shuts off.

If the compressor is left in the **ON/AUTO** position and air is depleted from the tank by use of a tire chuck, tool, etc., the compressor will restart automatically at its preset "cut-in" pressure. When a tool is being used continuously, the compressor will cycle on and off automatically.

In the **OFF** position, the pressure switch cannot function and the compressor will not operate. Make sure switch is in **OFF** position when connecting or disconnecting power cord from electrical outlet.

PRESSURE GAUGES

Gauge attached to regulator indicates air pressure going to hose (and any tool attached to end of hose).

Gauge attached to pressure switch indicates air pressure in tank.

MOISTURE IN COMPRESSED AIR

Moisture in compressed air will form into droplets as it comes from an air compressor pump. When humidity is high or when a compressor is in continuous use for an extended period of time, this moisture will collect in the tank. When using a paint spray or sandblast gun, this water will be carried from the tank through the hose, and out of the gun as droplets mixed with the spray material.

IMPORTANT: This condensation will cause water spots in a paint job, especially when spraying other than water based paints. If sandblasting, it will cause the sand to cake and clog the gun, rendering it ineffective.

A filter in the air line, located as near to the gun as possible, will help eliminate this moisture.

Maintenance

⚠ WARNING

Disconnect, tag and lock out power source, then release all pressure from the system before attempting to install, service, relocate or perform any maintenance.



Check compressor often for any visible problems and follow maintenance procedures each time compressor is used.

⚠ WARNING

Safety valve must be replaced if it cannot be actuated or it leaks air after ring is released.

1. Turn compressor off and release pressure from system. (To release pressure from system, pull ring on ASME safety valve. Deflect escaping air by shielding valve with one hand as you pull ring with other hand.) Pull ring until tank is empty.

⚠ CAUTION

A large amount of fast moving air will be released when the safety valve is opened with pressure in the tank. Wear ANSI approved Z87.1 safety glasses.

2. Drain moisture from tank by opening drain valve underneath tank. Tilt tank to remove all moisture.
3. Clean dust and dirt from tank, air lines and pump cover while compressor is still OFF.

ASME SAFETY VALVE

⚠ WARNING

Do not remove or attempt to adjust the safety valve!

Check the safety valve by performing the following steps:

1. Plug the compressor in and run until shut off pressure is reached.
2. Wearing safety glasses, pull the ring on the safety valve to release pressure from compressor tank. Use your other hand to deflect fast-moving air from being directed toward your face.

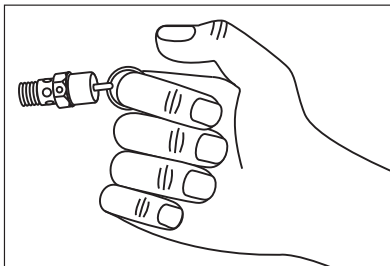


Figure 5

3. The safety valve should automatically close at approximately 40 psi - 50 psi. If the safety valve does not allow air to be released when you pull on the ring, or if it does not close automatically, it MUST be replaced.

DRAIN TANK

With compressor shut off and pressure released, drain moisture from tank by opening drain valve underneath tank.

CLEANING

Turn power OFF and clean dust and dirt from pump cover, tank, and air lines.

IMPORTANT: Unit should be located as far from spraying area as hose will allow to prevent over-spray from clogging air filter.

LUBRICATION.

This is an oilless type compressor requiring no lubrication.

OVERLOAD PROTECTOR

⚠ CAUTION

This compressor is equipped with a manual reset overload protector which will shut off motor if it becomes overloaded.

If overload protector shuts motor OFF frequently, look for the following causes.

1. Low voltage.
2. Clogged air filter.
3. Lack of proper ventilation.

⚠ CAUTION

If the overload protector is actuated, the motor must be allowed to cool down for 30 minutes before manual resetting.

END OF OPERATION/STORAGE

1. Turn ON / OFF switch to the OFF position.
2. Unplug power cord from wall outlet and wrap around handle area to prevent damage when not in use.
3. Wearing safety glasses drain tank of air by pulling the ring on the safety valve. Use other hand to deflect fast moving air from being directed toward your face.
4. Drain tank of condensation by opening drain valve on bottom of tank. Tank pressure should be below 10 psi when draining tank.
5. Air hose should be disconnected from compressor and hung open ends down to allow any moisture to drain.
6. Compressor and hose should be stored in a cool, dry place.

TECHNICAL SERVICE

For information regarding the operation or repair of this product, please call 1-800-543-6400.

MAINTENANCE SCHEDULE			
OPERATION	DAILY	WEEKLY	MONTHLY
DRAIN TANK	●		
CHECK SAFETY VALVE		●	
CLEAN UNIT			●

Troubleshooting Chart

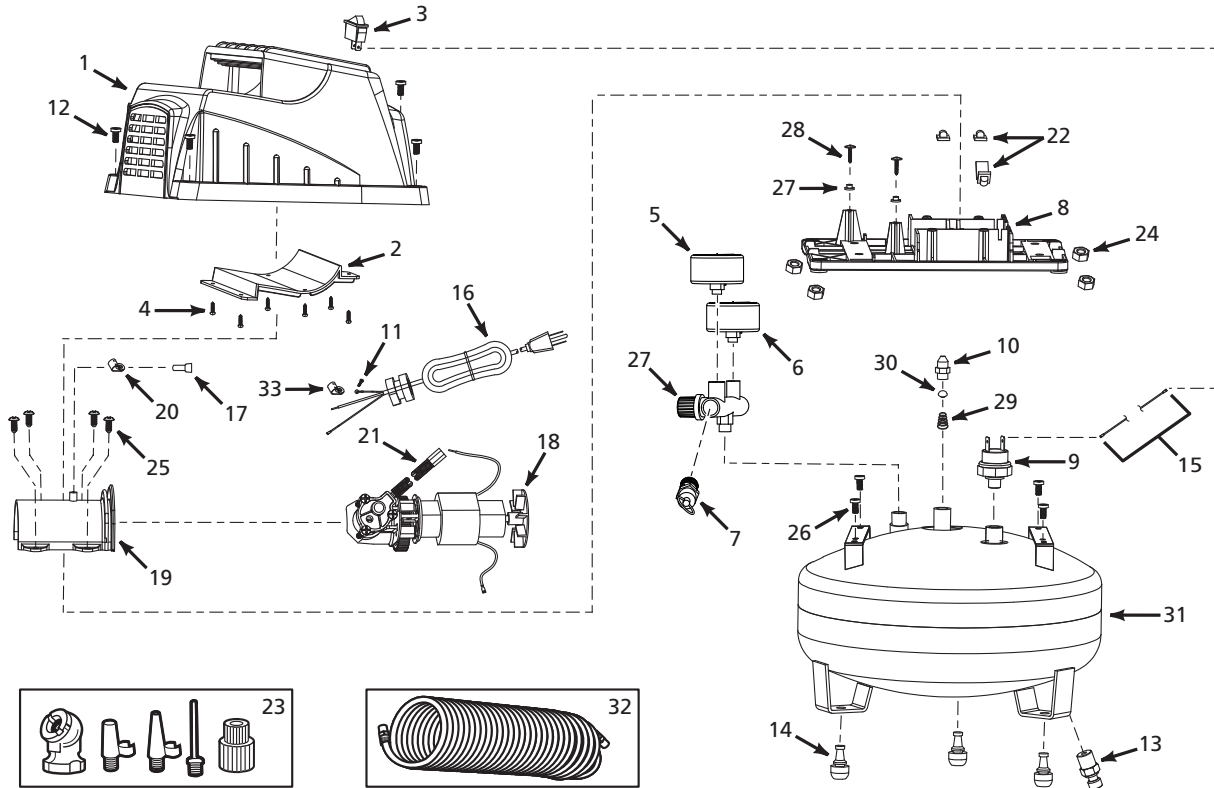
Symptom	Possible Cause(s)	Corrective Action
Compressor will not run	<ol style="list-style-type: none"> 1. Switch in OFF position 2. No electrical power at wall outlet 3. Compressor has reached automatic shutoff pressure 4. Motor overheated 5. Pressure switch bad 	<ol style="list-style-type: none"> 1. Make sure compressor is plugged in and switch is ON. 2. Check circuit breaker or fuse at electrical panel. 3. Release air from tank until compressor restarts automatically. 4. Allow compressor to cool for approximately 30 minutes so thermal overload switch will reset. Make sure compressor is run in a clean, well-ventilated area. 5. Replace pressure switch.
Thermal overload protector cuts out repeatedly	<ol style="list-style-type: none"> 1. Low voltage 2. Wrong gauge wire or length of extension cord 3. Clogged intake filter 4. Lack of proper ventilation/room temperature too high 5. Defective check valve 6. Defective unloader valve (on pressure switch) 7. Compressor valves failed 	<ol style="list-style-type: none"> 1. Check voltage at wall outlet with voltmeter. 2. Check extension cord chart for proper extension cord usage. 3. Clean or replace filter. 4. Move compressor to well-ventilated area. 5. Repair or replace. 6. Repair or replace. 7. Replace valve assembly. <p>⚠ DANGER Do not disassemble check valve with air pressure in tank; bleed tank.</p>
Tank pressure drops when compressor shuts off	<ol style="list-style-type: none"> 1. Loose drain valve 2. Check valve leaking 3. Loose connections at fittings, tubing, etc. 4. Tank leaks 	<ol style="list-style-type: none"> 1. Tighten. 2. Remove check valve. Clean or replace. 3. Check all connections with soap and water solution. If a leak is detected, (1) tighten or (2) remove fitting and apply pipe tape to threads and reassemble. 4. Check tank for leaks with soap and water solution. If leak is detected, tank must be replaced with genuine replacement part. <p>⚠ DANGER Do not disassemble check valve with air pressure in tank; bleed tank.</p>
Compressor runs continuously and air output is lower than normal/low discharge pressure	<ol style="list-style-type: none"> 1. Excessive air usage, compressor too small 2. Clogged intake filter 3. Loose connections at fittings, tubing, etc. 4. Tank leaks 5. Broken valves 6. Piston ring worn 	<ol style="list-style-type: none"> 1. Decrease usage or purchase unit with higher air delivery (SCFM). 2. Clean or replace. 3. Check all connections with soap and water solution. If a leak is detected, (1) tighten or (2) remove fitting and apply pipe tape to threads and reassemble. 4. Check tank for leaks with soap and water solution. If leak is detected, tank must be replaced with genuine replacement part. 5. Replace compressor valves as necessary. 6. Replace piston rings.
Excessive moisture in discharge air	<ol style="list-style-type: none"> 1. Excessive water in tank 2. High humidity 	<ol style="list-style-type: none"> 1. Drain tank. 2. Move to area of less humidity; use air line filter. <p>NOTE: Water condensation is not caused by compressor malfunction.</p>
Safety valve pops open	<ol style="list-style-type: none"> 1. Defective pressure switch 2. Defective safety valve 	<ol style="list-style-type: none"> 1. Replace pressure switch. 2. Replace safety valve with genuine replacement part.

For replacement parts or technical assistance, call 1-800-543-6400

Please provide following information:

- Model number
- Serial number (if any)
- Part description and number as shown in parts list

Address any correspondence to:
Campbell Hausfeld
Attn: Customer Service
100 Production Drive
Harrison, OH 45030



Ref. No.	Description	Part Number	Qty.
1	Shroud	▲	1
2	Shroud insert	▲	1
3	ON/OFF switch	FP204824AV	1
4	M3x15 screw	▲	6
5	Regulator Gauge	FP204013AV	1
6	Tank Gauge	FP204012AV	1
7	Safety valve	V-215102AV	1
8	Plastic base	■	1
9	Pressure switch	FP209530AV	1
10	Check valve (includes part #29 & #30)	FP209532AV	1
11	M4 x 0.7 x 6 screw	*	1
12	M6 x 1.0 x 10 screw	●	4
13	Drain valve	D-1403	1
14	Rubber foot (tank)	◆	3
15	Wire (pressure switch to power switch)	FP209523AV	1
16	Power cord	▼	1
17	M3 x 10 screw	*	1
18	Pump/motor assembly (includes part #21)	FP209039AV	1
19	Motor cover	■	1
20	Wire clip	FP202823AV	1

Ref. No.	Description	Part Number	Qty.
21	Exhaust tube kit	FP202839AV	1
22	Motor isolator bushing kit	FP209037AV	1
23	Accessories	FP204008AV	1
24	Nut	●	4
25	Screw	●	4
26	Screw	●	4
27	Regulator assembly	FP204835AV	1
28	Screw	●	2
29	Spring	(see part #10)	1
30	Cap	(see part #10)	1
31	Tank	--	1
32	25-foot Recoil Hose	MP268100AV	1
33	Strain relief	▼	1

REPAIR KITS AND ACCESSORIES

▲	Shroud kit	FP209034AV
■	Motor cover and base kit	FP209038AV
●	Fastener kit	FP209040AV
◆	Rubber foot kit	FP202836AV
▼	Power cord / strain relief kit	FP209534AV
☆	Decal kit	FP202837AV
*	Standard hardware item	
--	Not available	

Limited Warranty

1. DURATION: From the date of purchase by the original purchaser as follows: One Year.
2. WHO GIVES THIS WARRANTY (WARRANTOR):
Campbell Hausfeld / Scott Fetzer Company, 100 Production Drive, Harrison, Ohio, 45030, Telephone: (800) 543-6400
3. WHO RECEIVES THIS WARRANTY (PURCHASER): The original purchaser (other than for purposes of resale) of the Campbell Hausfeld compressor.
4. WHAT PRODUCTS ARE COVERED BY THIS WARRANTY: Any Campbell Hausfeld air compressor.
5. WHAT IS COVERED UNDER THIS WARRANTY: Parts and Labor to remedy substantial defects due to material and workmanship during the first year of ownership with the exceptions noted below. Parts only to remedy substantial defects due to material and workmanship during remaining term of coverage with exceptions noted below.
6. WHAT IS NOT COVERED UNDER THIS WARRANTY:
 - A. Implied warranties, including those of merchantability and FITNESS FOR A PARTICULAR PURPOSE ARE LIMITED FROM THE DATE OF ORIGINAL PURCHASE AS STATED IN THE DURATION. If the compressor is used for commercial, industrial or rental purposes, the warranty will apply for ninety (90) days from the date of purchase. Two-stage compressors are not limited to a ninety (90) day warranty when used in commercial or industrial applications. Some States do not allow limitations on how long an implied warranty lasts, so the above limitations may not apply to you.
 - B. ANY INCIDENTAL, INDIRECT, OR CONSEQUENTIAL LOSS, DAMAGE, OR EXPENSE THAT MAY RESULT FROM ANY DEFECT, FAILURE, OR MALFUNCTION OF THE CAMPBELL HAUSFELD PRODUCT. Some States do not allow the exclusion or limitations of incidental or consequential damages, so the above limitation or exclusion may not apply to you.
 - C. Any failure that results from an accident, purchaser's abuse, neglect or failure to operate products in accordance with instructions provided in the owner's manual(s) supplied with compressor.
 - D. Pre-delivery service, i.e. assembly, oil or lubricants, and adjustment.
 - E. Items or service that is normally required to maintain the product, i.e. lubricants, filters and gaskets, etc.
 - F. Gasoline engines and components are expressly excluded from coverage under this limited warranty. The Purchaser must comply with the warranty given by the engine manufacturer which is supplied with the product
 - G. Additional items not covered under this warranty:
 1. Excluded items pertaining to All Compressors
 - a. Any component damaged in shipment or any failure caused by installing or operating unit under conditions not in accordance with installation and operation guidelines or damaged by contact with tools or surroundings.
 - b. Pump or valve failure caused by rain, excessive humidity, corrosive environments or other contaminants.
 - c. Cosmetic defects that do not interfere with compressor functionality.
 - d. Rusted tanks, including but not limited to rust due to improper drainage or corrosive environments.
 - e. The following components are considered normal wear items and are not covered after the first year of ownership. Electric motor, check valve, pressure switch, regulator, pressure gauges, hose, tubing, pipe, fittings and couplers, screws, nuts, hardware items, belts, pulleys, flywheel, air filter and housing, gaskets, seals, oil leaks, air leaks, oil consumption or usage, piston rings.
 - f. Tank drain valves.
 - g. Damage due to incorrect voltage or improper wiring.
 - h. Other items not listed but considered general wear parts.
 - i. Pressure switches, air governors, load/unload devices, throttle control devices and safety valves modified from factory settings.
 - j. Damage from inadequate filter maintenance.
 - k. Induction motors operated with electricity produced by a generator.
 2. Excluded items specific to Lubricated Compressors:
 - a. Pump wear or valve damage caused by using oil not specified.
 - b. Pump wear or damage caused by any oil contamination.
 - c. Pump wear or damage caused by failure to follow proper oil maintenance guidelines, operation below proper oil level or operation without oil.
 - H. Labor, service call, or transportation charges after the first year of ownership of stationary compressors. Stationary compressors are defined as not including a handle or wheels.
7. RESPONSIBILITIES OF WARRANTOR UNDER THIS WARRANTY: Repair or replace, at Warrantor's option, compressor or component which is defective, has malfunctioned and/or failed to conform within duration of the warranty period.
8. RESPONSIBILITIES OF PURCHASER UNDER THIS WARRANTY:
 - A. Provide dated proof of purchase and maintenance records.
 - B. Call Campbell Hausfeld (800-543-6400) to obtain your warranty service options. Freight costs must be borne by the purchaser.
 - C. Use reasonable care in the operation and maintenance of the products as described in the owner's manual(s).
 - D. Repairs requiring overtime, weekend rates, or anything beyond the standard manufacturer warranty repair labor reimbursement rate.
 - E. Time required for any security checks, safety training, or similar for service personnel to gain access to facility.
 - F. Location of unit must have adequate clearance for service personnel to perform repairs and easily accessible.
9. WHEN WARRANTOR WILL PERFORM REPAIR OR REPLACEMENT UNDER THIS WARRANTY: Repair or replacement will be scheduled and serviced according to the normal work flow at the servicing location, and depending on the availability of replacement parts.

This Limited Warranty applies in the U.S., Canada and Mexico only and gives you specific legal rights. You may also have other rights which vary from State to State or country to country.

Voir la Garantie à la page 16 pour de l'information importante sur l'utilisation commerciale de ce produit.

Instructions d'Utilisation et Manual de Pièces

FP202800, FP202900

Veillez lire et conserver ces instructions. Lire attentivement avant de commencer à assembler, installer, faire fonctionner ou entretenir l'appareil décrit. Protégez-vous et les autres en observant toutes les informations sur la sécurité. Négliger d'appliquer ces instructions peut résulter en des blessures corporelles et/ou en des dommages matériels ! Conserver ces instructions pour références ultérieures.



CAMPBELL HAUSFELD® Compresseur Sans Huile

Description

Les compresseurs sans huile sont conçus pour les bricoleurs avec une variété de travaux domestiques et automobiles. Ces modèles fonctionnent sans huile. L'air comprimé de ce modèle sera humide. Installer un filtre pour l'eau ou un sécheur si votre application requiert l'air sec.

Déballage

Lors du déballage de ce produit, l'examiner soigneusement pour rechercher toute trace de dommage susceptible de s'être produit en cours de transport. Veiller à serrer tout raccord, boulon, etc., avant de mettre ce produit en service. En cas de dommage ou de parties manquantes, S.V.P. composer le 1-800-543-6400 pour demander conseil.

Prière d'avoir le numéro de série, numéro de modèle et liste de parties (avec les parties manquantes encadrées) avant d'appeler.



NE PAS RENVOYER LE PRODUIT AU MARCHAND!



AVERTISSEMENT *Ne pas utiliser un modèle qui a été endommagé pendant le transport, la manipulation ou l'utilisation. Le dommage peut résulter en explosion et peut causer des blessures ou dégâts matériels.*

**LIRE ET SUIVRE TOUTES LES INSTRUCTIONS
CONSERVER CES INSTRUCTIONS
NE PAS JETER**



Enregistrer le N° de Modèle, N° de Série, et la Date d'Achat située sur la base de la pompe dans l'espace ci-dessous.

N° de Modèle FP202800, FP202900

N° de Série _____

Date d'Achat _____

Garder ces numéros pour référence future.

Directives de Sécurité

Ce manuel contient de l'information très importante qui est fournie pour la SÉCURITÉ et pour ÉVITER LES PROBLÈMES D'ÉQUIPEMENT. Rechercher les symboles suivants pour cette information.



DANGER *Danger indique une situation dangereuse imminente qui MÈNERA à la mort ou à des blessures graves si elle n'est pas évitée.*



AVERTISSEMENT *Avertissement indique une situation potentiellement dangereuse qui, si elle n'est pas évitée, POURRAIT mener à la mort ou à de graves blessures.*



ATTENTION *Attention indique une situation potentiellement dangereuse qui, si elle n'est pas évitée, PEUT mener à des blessures mineures ou modérées.*



Avertissement D'Air Respirable

Ce compresseur/pompe n'est pas équipé pour et ne devrait pas être utilisé "comme soi" pour fournir de l'air respirable. En cas d'applications d'air pour la consommation humaine, le compresseur d'air/pompe doit être équipé avec de l'équipement de sécurité en canalisation et d'alarme. Cet équipement supplémentaire est nécessaire pour filtrer et purifier l'air afin d'atteindre les spécifications minimales pour la respiration Grade D décrites dans le Compressed Gas Association Commodity Specification G 7.1 - 1966, OSHA 29 CFR 1910. 134, et/ou Canadian Standards Associations (CSA).

DÉNÉGATION DES GARANTIES

Si le compresseur est utilisé pour les applications d'air respirable et l'équipement de sécurité en canalisation et d'alarme n'est pas utilisé simultanément, les garanties en existence seront annulées, et Campbell Hausfeld nie toute responsabilité pour n'importe quelle perte, blessure ou dommage.



AVIS *Avis indique de l'information importante qui pourrait endommager l'équipement si elle n'est pas respectée.*

REMARQUE: L'information qui exige une attention spéciale.

MÉMENTO: Gardez votre preuve datée d'achat à fin de la garantie!
Joignez-la à ce manuel ou classez-la dans un dossier pour plus de sécurité.



Généralités sur la Sécurité**PROPOSITION 65 DE CALIFORNIE**

AVERTISSEMENT Ce produit ou son cordon peuvent contenir des produits chimiques, y compris du plomb, relevés par l'État de Californie comme cause de cancer, d'anomalies congénitales ou d'autres problèmes reproductifs. Lavez-vous les mains après toute manipulation.

AVERTISSEMENT Vous pouvez créer de la poussière en coupant, ponçant, perçant ou meulant les matériaux tels que le bois, la peinture, le métal, le béton, le ciment ou autre maçonnerie. Cette poussière contient souvent des produits chimiques reconnus pour causer le cancer, les déformations congénitales ou autres problèmes de la reproduction. Porter de l'équipement de protection.

**GÉNÉRALITÉS SUR LA SÉCURITÉ**

Puisque le compresseur d'air et les autres pièces détachées (pompe, pistolets, filtres, graisseurs, tuyaux, etc.) font partie d'un système de haute pression, il est nécessaire de suivre les précautions suivantes:

1. Lire attentivement tous manuels compris avec ce produit. Se familiariser avec ce produit, ses commandes et son utilisation. 
2. Suivre tous les codes de sécurité et d'électricité locaux ainsi que les codes des É-U; National Electrical Codes (NEC) et Occupational Safety and Health Act (OSHA).
3. Seules les personnes bien familiarisées avec ces règlements d'utilisation doivent être autorisées à se servir du compresseur.
4. Garder les visiteurs à l'écart de/et NE JAMAIS permettre les enfants dans l'endroit de travail.
5. Utiliser des lunettes de sécurité et la protection auditive pendant l'utilisation du modèle. 
6. Ne pas se tenir debout sur/ni utiliser le modèle comme une prise à main.
7. Inspecter le système d'air comprimé et pièces détachées électriques pour toute indication de dommage, détérioration, faiblesse ou fuites avant chaque utilisation. Réparer ou remplacer toutes pièces défectueuses avant l'utilisation.
8. Inspecter le degré de serrage de toutes les attaches par intervalles réguliers.

AVERTISSEMENT Les moteurs, l'équipement et les commandes électriques peuvent causer des arcs électriques qui peuvent allumer un gaz ou une vapeur inflammable. Ne jamais utiliser ou réparer le modèle près d'un gaz ou d'une vapeur inflammable. Ne jamais entreposer les liquides ou gaz inflammables près du compresseur. 

ATTENTION Les pièces du compresseur peuvent être chaudes même si le modèle est hors circuit. 


9. Garder les doigts à l'écart du compresseur; les pièces mobiles et chaudes peuvent causer des blessures et/ou des brûlures.
10. Si l'équipement vibre anormalement, ARRÊTER le moteur et l'inspecter immédiatement. La vibration est généralement une indication d'un problème.
11. Pour réduire le risque d'incendie, garder l'extérieur du moteur libre d'huile, de solvants et de graisse excessive.

AVERTISSEMENT Une soupape de sûreté ASME avec une classification qui ne dépasse pas 1034 kPa doit être installée dans le réservoir de ce compresseur. La soupape de sûreté ASME doit avoir un débit d'air et une classification de pression suffisants pour protéger les pièces pressurisées contre l'éclatement.

ATTENTION Voir la décalcomanie de spécifications sur le compresseur pour retrouver la pression de service maximum. Ne pas faire fonctionner avec un manostat ou soupapes pilotes réglés au delà de la pression de fonctionnement maximum.

12. Ne jamais essayer de régler la soupape de sûreté ASME. Garder la soupape de sûreté libre de peinture et autres accumulations.

AVERTISSEMENT Ne jamais utiliser les tuyaux plastiques (CPV) pour l'air comprimé. Ceci peut causer des blessures graves ou la mort.


DANGER Ne jamais essayer de réparer ni de modifier un réservoir! Le soudage, perçage ou autre modifications peuvent affaiblir le réservoir et peuvent résulter en dommage de rupture ou d'explosion. Toujours remplacer un réservoir usé, fendu ou endommagé. 

AVIS Purger le liquide du réservoir quotidiennement.

13. L'accumulation d'humidité cause la rouille qui peut affaiblir le réservoir. Purger le réservoir régulièrement et l'inspecter périodiquement pour la rouille et la corrosion ou autres conditions dangereuses.
14. L'air mouvante peut agiter la poussière et le débris qui peut être dangereux. Dissiper l'air lentement en purgeant l'humidité ou pendant la dépressurisation du système de compresseur.

PRÉCAUTIONS DE PULVÉRISATION

AVERTISSEMENT Ne pas pulvériser des matériaux inflammables près d'une flamme ni près d'une source d'ignition y inclus le compresseur. 

15. Ne pas fumer pendant la pulvérisation de peinture, d'insecticides ou d'autres substances inflammables.
16. Utiliser un masque / respirateur pendant la pulvérisation et pulvériser dans un endroit bien ventilé pour éviter les dangers de santé et d'incendie. 
17. Ne pas pulvériser vers le compresseur. Situer le compresseur aussi loin que possible de l'endroit de pulvérisation pour minimiser l'accumulation de surpulvérisation sur le compresseur.
18. Pour pulvériser ou nettoyer avec des solvants ou produits chimiques toxiques, suivre les instructions fournies par le fabricant du produit chimique.

Introduction

Se référer à la Figure 4.

Interrupteur MARCHÉ/ARRÊT (I/O) -

Mettre l'interrupteur à la position ON (I) pour mettre en marche le compresseur. Mettre l'interrupteur à la position OFF (O) pour éteindre le compresseur. Cet interrupteur devrait être dans la position OFF (O) pendant le branchement ou le débranchement du cordon d'alimentation de la prise de courant ou pendant le changement d'outils.

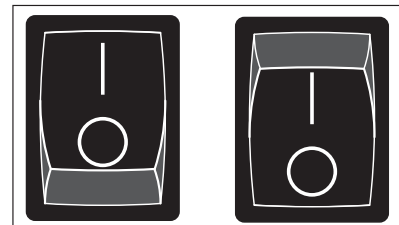


Figure 1

Introduction (Suite)

Pressostat (à l'intérieur de l'unité) - Quand on met en marche le compresseur (ON), le pressostat éteint le compresseur automatiquement lorsque la pression du réservoir atteint la pression maximum d'arrêt / coupe. Si le compresseur reste en marche et l'air du réservoir est épuisé, le pressostat mettra en marche le compresseur automatiquement lorsque la pression atteint la valeur de redémarrage / enclenchement.

Manomètre - Ce manomètre indique la pression d'air mesurée en psi dans le réservoir du compresseur. S'assurer que le manomètre est à ZERO AVANT de changer les outils pneumatiques ou avant de débrancher le tuyau de la sortie.

Soupape de Sûreté ASME - Cette soupape laisse échapper l'air si la pression du réservoir dépasse la pression maximum réglée d'avance.

Poignée - Conçue pour le déplacement du compresseur.

Robinet de Purge - Cette soupape est située sur la base du réservoir. Utiliser cette soupape pour purger l'humidité du réservoir quotidiennement afin de réduire le risque de corrosion.

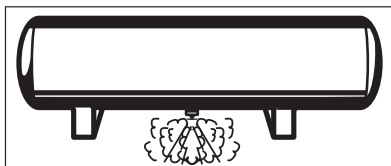


Figure 2

Installation

ENDROIT

Il est extrêmement important d'installer le compresseur dans un endroit propre, sec et bien ventilé. Le compresseur doit être placé sur une surface solide et à niveau dont la température ambiante ne dépasse pas 38°C (100°F).

Un espace libre minimum de 45,7 centimètres entre le compresseur et un mur est exigé pour éviter le stoppage d'air par des objets.

⚠ ATTENTION *Ne pas situer la prise d'air du compresseur près de la vapeur, un jet pulvérisé de peinture, endroits de décapage au sable ou autre sources de contamination. Le débris endommagera le moteur.*

INSTRUCTIONS DE MISE À LA TERRE

1. Ce produit est conçu pour l'utilisation d'un circuit de 120 volts et a une fiche de mise à la terre comme celle indiquée sur la Figure 3. Assurer que le modèle est branché à une prise de courant qui a la même configuration que la fiche. Ce produit doit être mis à la terre. Dans l'événement d'un court-circuit, la mise à la terre diminue le risque de secousse électrique en fournissant un fil d'échappement pour le courant électrique. Ce produit est équipé avec un cordon qui a un fil de terre avec une fiche de terre. La fiche doit être branchée dans une

prise de courant qui a été installée et mise à la terre correctement en respectant tous les codes et règlements locaux.

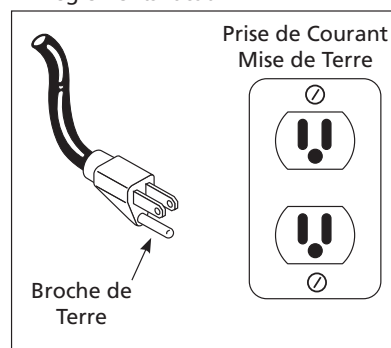


Figure 3 - Méthode de mise à la terre

⚠ DANGER

L'usage incorrect d'une fiche mise à la terre peut résulter en secousse électrique!



⚠ DANGER

Ne pas utiliser un adaptateur de mise à la terre avec ce produit!

2. Si la réparation ou le remplacement du cordon ou de la fiche est nécessaire, ne pas connecter le fil de terre à ni une ni l'autre borne plate. Le fil avec l'isolation qui a une surface externe verte (avec ou sans rayures) est le fil de terre.

⚠ AVERTISSEMENT

Ne jamais brancher le fil vert (ou vert et jaune) à une borne électrisée.

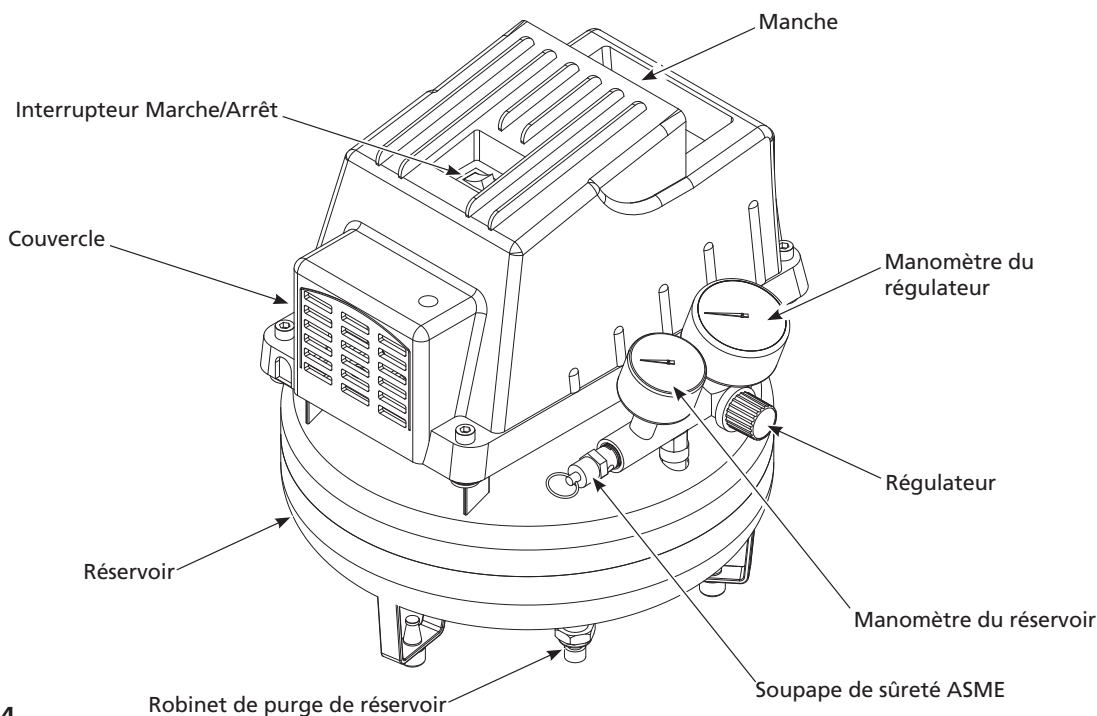


Figure 4

Installation (Suite)

- Si vous ne comprenez pas les instructions pour la mise à la terre ou si vous n'êtes pas certains si le produit est mis à la terre correctement, vérifier avec un électricien ou une personne qualifiée. Ne pas modifier la fiche fournie; si la fiche n'est pas la bonne taille pour la prise de courant, contacter un électricien qualifié pour l'installation d'une nouvelle prise de courant.

ATTENTION *L'installation de fils insuffisante peut résulter en surchauffage, court-circuit et en dommage d'incendie.*

GRAISSAGE

Ce produit est "sans-huile" et **N'EXIGE PAS** d'huile pour fonctionner.

Pré-Fonctionnement

AVANT LE PREMIER DÉMARRAGE - PROCÉDURE DE RÔDAGE

(Cette procédure doit être terminée avant d'utiliser le compresseur pour la première fois. Ensuite, il n'est pas nécessaire de la refaire.)

- Tourner le bouton du régulateur complètement vers la droite, dans le sens des aiguilles d'une montre pour ouvrir la circulation d'air.
- Ne pas** fixer de boyau ou tout autre raccord au sortie d'aire de le compresseur.
- Mettre l'interrupteur marche/arrêt à la position « OFF » (ARRÊT).
- Brancher le cordon d'alimentation.
- Mettre l'interrupteur marche/arrêt à la position « ON » (MARCHE). Laissez le compresseur tourner pendant 30 minutes.
- Mettre l'interrupteur marche/arrêt à la position « OFF » (ARRÊT).
- Débrancher le cordon d'alimentation.

Le compresseur est maintenant prêt à être utilisé.

AVANT CHAQUE DÉMARRAGE - PROCÉDURE DE FONCTIONNEMENT

- Tourner le bouton du régulateur complètement vers la gauche, dans le sens contraire des aiguilles d'une montre.
- Connecter le tuyau d'air à la sortie du régulateur.
- Mettre l'interrupteur marche/arrêt à la position « OFF » (ARRÊT).
- Brancher le cordon d'alimentation.
- Mettre l'interrupteur marche/arrêt à la position « ON » (MARCHE) et faire fonctionner le compresseur jusqu'à ce qu'il atteigne la pression d'arrêt automatique.
- Fixer le mandrin de pneu ou l'outil à l'extrémité du tuyau.
- Tourner le bouton du régulateur complètement vers la droite, dans le sens des aiguilles d'une montre jusqu'à la pression voulue pour l'outil utilisé.

Fonctionnement

DÉMARRAGE

ATTENTION *Ne pas attacher des outils pneumatiques au bout ouvert du tuyau avant que le démarrage du modèle soit complet et que vous avez vérifié le modèle.*

CYCLE MARCHE / ARRÊT DU COMPRESSEUR

En position « ON/AUTO » (marche/ auto), le compresseur pompe de l'air dans le réservoir. Lorsqu'il atteint une pression d'arrêt (une "coupure" pré-établie), le compresseur s'arrête automatiquement.

Si le compresseur reste en position « ON/AUTO » (marche/auto) et si l'air sort complètement du réservoir en utilisant un mandrin de pneu, un outil, etc., alors le compresseur redémarrera automatiquement à sa pression pré-établie de « coupure ». Lorsqu'un outil est utilisé continuellement, le compresseur passera automatiquement à des cycles marche et arrêt.

En position **OFF** (arrêt), le manostat ne peut pas fonctionner et le compresseur ne fonctionnera pas. S'assurer que l'interrupteur est à la position **OFF** (arrêt) en connectant ou déconnectant le cordon d'alimentation de la prise de courant.

MANOMÈTRES

La jauge fixée au régulateur indique la pression d'air dans le boyau (et tout outil fixé à l'extrémité du boyau).

La jauge fixée au manostat indique la pression d'air dans le réservoir.

HUMIDITÉ DANS L'AIR COMPRIMÉ

L'humidité dans l'air comprimé forme des gouttelettes en arrivant de la pompe du compresseur d'air. Si l'humidité est élevée, ou si le compresseur est utilisé continuellement, cette humidité s'accumulera dans le réservoir. Pendant l'utilisation d'un pistolet à peinture ou d'un pistolet pour le décapage au sable, cette eau sera transportée du réservoir par moyen du tuyau, et en forme de gouttelettes, mélangée avec le matériel utilisé.

IMPORTANT: Cette condensation peut causer des taches d'eau sur votre travail de peinture, surtout pendant la pulvérisation de peinture qui n'est pas à base d'eau. Pendant le décapage au sable, cette eau servira à tenir le sable ensemble et causera une obstruction dans le pistolet.

Un filtre à air en canalisation situé aussi près du pistolet que possible aidera à éliminer cette humidité.

Entretien

⚠ AVERTISSEMENT

Débrancher de la source de puissance et ensuite dissiper toute la pression du système avant d'essayer d'installer, de réparer, de déplacer ou de procéder à l'entretien. L'entretien doit être réalisé seulement par un représentant de service autorisé.



Inspecter le compresseur souvent et suivre les procédés d'entretien suivants pendant chaque utilisation du compresseur.

⚠ AVERTISSEMENT

S'il y a une fuite après que la soupape soit lâchée ou si la soupape ne fonctionne pas, elle devrait être remplacée.

1. Éteindre le compresseur et dégager la pression du système. (Pour dégager la pression du système, tirer sur la soupape de sûreté ASME. Éloigner l'air qui s'échappe en protégeant la soupape d'une main tout en tirant de l'autre.) Tirer l'anneau jusqu'à ce que le réservoir soit vide.

⚠ ATTENTION

Une grande quantité d'air se déplaçant rapidement sera dégagée en ouvrant la soupape de sûreté à cause de la pression dans le réservoir. Porter des lunettes de sécurité Z87.1 approuvées par ANSI.

2. Drainer l'humidité du réservoir en ouvrant le robinet de vidange sous le réservoir. Pencher le réservoir pour en retirer toute l'humidité.
3. Nettoyer la poussière et la saleté du réservoir, des conduites d'air et le couvercle de pompe tandis que le compresseur est encore arrêté (OFF).

SOUPAPE DE SÛRETÉ ASME

⚠ AVERTISSEMENT

Ne jamais enlever ou essayer d'ajuster la soupape de sûreté !

Vérifier la soupape de sûreté de la manière suivante :

1. Brancher le compresseur et le faire fonctionner jusqu'à ce qu'il atteigne la pression d'arrêt (voir procédure de fonctionnement).
2. Porter des lunettes de sécurité, tirer l'anneau sur la soupape de sûreté pour dégager la pression du réservoir du compresseur. Utiliser l'autre main pour éloigner l'air se déplaçant rapidement du visage.

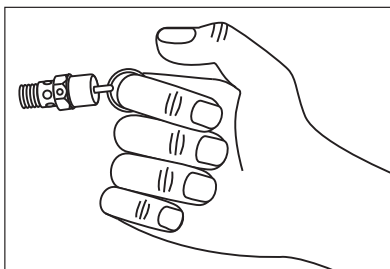


Figure 5

3. La soupape de sûreté se fermera automatiquement à environ 276 kPa à 345 kPa. Si la soupape ne laisse pas sortir l'air en tirant sur l'anneau, ou si elle ne se ferme pas automatiquement, il FAUT la remplacer.

PURGER LE RÉSERVOIR

Avec le compresseur hors circuit et la pression dissipée, purger l'humidité du réservoir en ouvrant le robinet de purge sous le réservoir.

NETTOYAGE

Mettre hors circuit (OFF) et nettoyer la poussière et la saleté du couvercle de la pompe, du réservoir et des canalisations d'air.

IMPORTANT: Situer le modèle aussi loin de l'endroit de pulvérisation que possible afin d'empêcher que le filtre devienne obstrué par la surpulvérisation.

GRAISSAGE

Ce modèle "sans huile" n'exige pas de graissage.

SECTION DE PROTECTEUR DE SURCHARGE

⚠ ATTENTION

Ce compresseur est doté d'un protecteur de surcharge à réarmement manuel qui coupera le moteur si surchargé.

Si le protecteur coupe fréquemment le moteur, rechercher les causes suivantes.

1. Basse tension.
2. Filtre d'air bloqué.
3. Manque de ventilation appropriée.

⚠ ATTENTION

Si le protecteur de surchauffe est activé, le moteur doit pouvoir se refroidir pendant 30 minutes avant tout démarrage manuel.

CONCLUSION DU TRAVAIL / ENTREPOSAGE

1. Mettre l'interrupteur ON / OFF à la position « OFF » (ARRÊT).
2. Débrancher le cordon d'alimentation de la prise et l'enrouler autour du manche pour éviter de l'endommager pendant l'entreposage.
3. En portant des lunettes de sécurité, vidanger l'air du réservoir en tirant l'anneau de la soupape de sécurité. À l'aide de l'autre main, détourner l'air se déplaçant rapidement, pour protéger le visage.
4. Vidanger le réservoir de toute condensation en ouvrant le robinet de vidange au fond du réservoir. La pression du réservoir doit être sous 69 kPa quand on vidange le réservoir.
5. Le tuyau doit être débranché du compresseur et suspendu avec les bouts ouverts face en bas pour laisser couler toute humidité.
6. Le compresseur et le tuyau doivent être rangés dans un endroit frais et sec.

SERVICE TECHNIQUE

Pour des informations concernant le fonctionnement ou la réparation de ce produit, composer le 1-800-543-6400.

HORAIRE D'ENTRETIEN

OPÉRATION	QUOTIDIEN	HEBDOMAD AIRE	MENSUEL
Purger le réservoir	●		
Vérifier la soupape de sûreté		●	
Nettoyer le modèle			●

Guide De Dépannage

Symptôme	Cause(s) possible(s)	Mesure(s) corrective(s)
Le compresseur ne fonctionne pas.	<ol style="list-style-type: none"> 1. Interrupteur à la position OFF (arrêt) 2. Aucun courant à la prise 3. Le compresseur a atteint la pression d'arrêt automatique 4. Moteur surchauffé 5. Manostat défectueux 	<ol style="list-style-type: none"> 1. S'assurer que le compresseur est branché et l'interrupteur à ON (marche). 2. Vérifier le disjoncteur et le fusible au panneau électrique. 3. Drainer l'air du réservoir jusqu'à ce que le compresseur redémarré automatiquement. 4. Laisser le compresseur refroidir pendant environ 30 minutes pour réarmer l'interrupteur de surchauffe thermique. S'assurer que le compresseur fonctionne dans un milieu propre et bien ventilé. 5. Remplacer le manostat.
Le protecteur de surcharge thermique se coupe à répétition	<ol style="list-style-type: none"> 1. Basse tension 2. Mauvais calibre de fil ou longueur de rallonge 3. Filtre d'entrée bloqué 4. Manque de ventilation appropriée/ température ambiante trop élevée 5. Clapet de non-retour défectueux 6. Clapet de marche à vide défectueux (sur le manostat) 7. Défaillances de soupapes de compresseur 	<ol style="list-style-type: none"> 1. Vérifier la tension à la prise murale avec un voltmètre. 2. Vérifier le tableau de rallonge pour la bonne utilisation de la rallonge. 3. Nettoyer ou remplacer le filtre. 4. Déplacer le compresseur à un endroit bien ventilé. 5. Réparer ou remplacer. 6. Réparer ou remplacer. 7. Remplacer l'assemblage de la soupape. <p>⚠ DANGER <i>Ne pas démonter le clapet de non-retour avec de l'air dans le réservoir ; purger le réservoir.</i></p>
La pression du réservoir tombe lorsque le compresseur est éteint	<ol style="list-style-type: none"> 1. Robinet de vidange desserré 2. Vérifier toute fuite de soupape 3. Connexions desserrées aux raccords, tubes, etc. 4. Fuite du réservoir 	<ol style="list-style-type: none"> 1. Resserrer. 2. Retirer le clapet de non-retour. Nettoyer ou remplacer. 3. Vérifier toutes les connexions avec une solution de savon et d'eau. S'il y a une fuite, (1) resserrer ou (2) retirer le raccord et appliquer du ruban à tuyau pour les filets et remonter. 4. Vérifier le réservoir pour les fuites avec une solution de savon et d'eau. S'il y a une fuite, le réservoir doit être remplacé avec une pièce de rechange d'origine. <p>⚠ DANGER <i>Ne pas démonter le clapet de non-retour avec de l'air dans le réservoir ; purger le réservoir.</i></p>
Le compresseur fonctionne continuellement et la sortie d'air est plus basse que la pression de décharge normale/faible	<ol style="list-style-type: none"> 1. Utilisation d'air excessive, compresseur trop petit 2. Filtre d'aspiration bloqué 3. Connexions desserrées aux raccords, tubes, etc. 4. Fuites du réservoir 5. Soupapes cassées 6. Bague de piston usée 	<ol style="list-style-type: none"> 1. Réduire l'utilisation ou acheter une unité à livraison d'air plus élevée (PCNM). 2. Nettoyer ou remplacer. 3. Vérifier toutes les connexions avec une solution de savon et d'eau. S'il y a une fuite, (1) resserrer ou (2) retirer le raccord et appliquer du ruban à tuyau pour les filets et remonter. 4. Vérifier le réservoir pour les fuites avec une solution de savon et d'eau. S'il y a une fuite, le réservoir doit être remplacé avec une pièce de rechange d'origine. 5. Remplacer les soupapes du compresseur au besoin. 6. Remplacer les bagues de piston.
Humidité excessive dans l'air de décharge	<ol style="list-style-type: none"> 1. Eau excessive dans le réservoir 2. Humidité élevée 	<ol style="list-style-type: none"> 1. Vidanger le réservoir. 2. Déplacer à un endroit moins humide ; utiliser un filtre dans la conduite d'air <p>REMARQUE : La condensation d'air n'est pas causée par une défaillance du compresseur.</p>
Le compresseur fonctionne continuellement et la soupape de sécurité s'ouvre tandis que la pression monte	<ol style="list-style-type: none"> 1. Manostat défectueux 2. Soupape de sécurité défectueuse 	<ol style="list-style-type: none"> 1. Remplacer le manostat 2. Remplacer la soupape de sécurité avec des pièces de rechange authentiques.

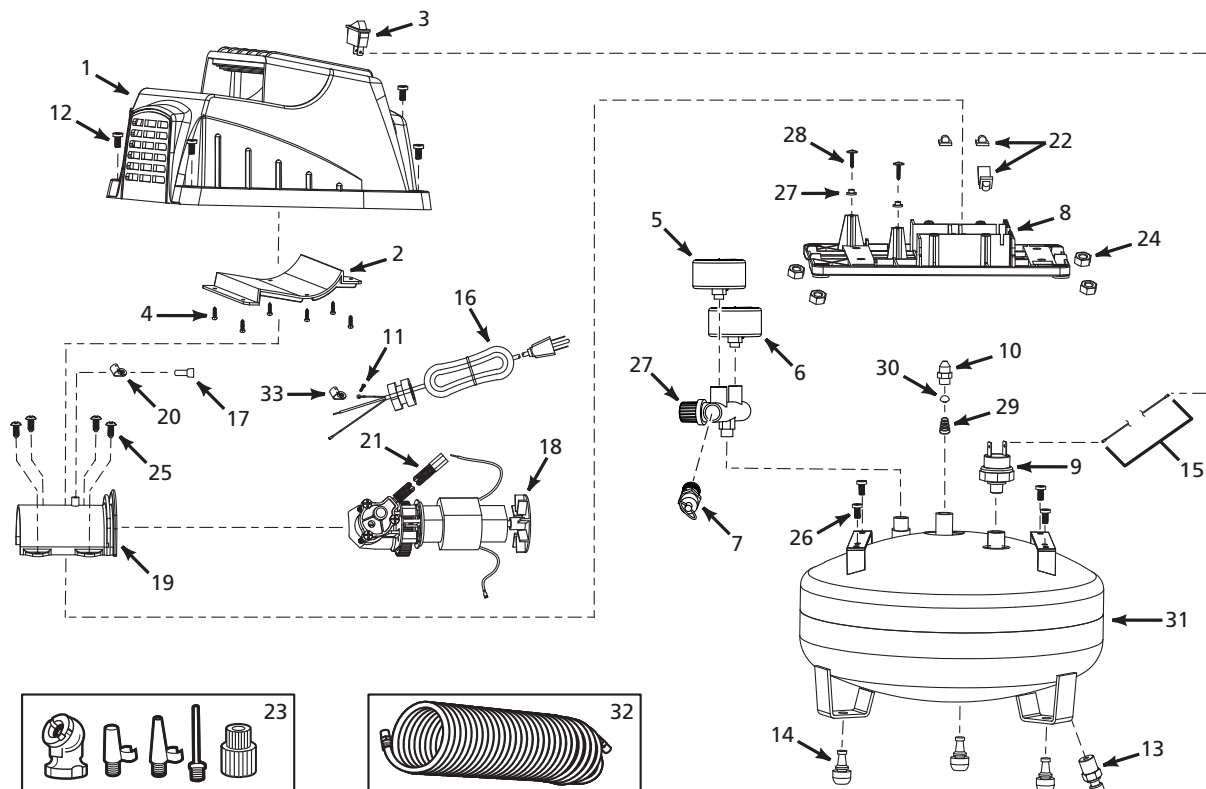
Pour pièces de rechange ou assistance technique, appeler 1-800-543-6400

S'il vous plaît fournir l'information suivante:

- Numéro de modèle
- Code imprimé sur l'unité
- Description de la pièce et son numéro

Adresser toute correspondance à:

Campbell Hausfeld
Attn: Customer Service
100 Production Drive
Harrison, OH 45030



No. de Réf.	Description	Número de Pièce	Qté.
1	Couvercle de protection	▲	1
2	Garniture d'épaulement	▲	1
3	Interrupteur Marche/Arrêt	FP204824AV	1
4	Vis M3 x .15	▲	6
5	Manomètre du régulateur	FP204013AV	1
6	Jauge du réservoir	FP204012AV	1
7	Soupape de sûreté	V-215102AV	1
8	Base de plastique	■	1
9	Manostat	FP209530AV	1
10	Soupape de retenue (inclut pièces n° 29 et 30)	FP209532AV	1
11	Vis M4 x 0.7 x 6	*	1
12	Vis M6 x 1.0 x 10	●	4
13	Robinet de purge	D-1403	1
14	Pied en caoutchouc (Réservoir)	◆	3
15	Fil (pressostat avec interrupteur)	FP209523AV	1
16	Cordon d'alimentation	▼	1
17	Vis M3 x 10	*	1
18	Montage de pompe/moteur (Inclut pièce n° 21)	FP209039AV	1
19	Couvercle de moteur	■	1
20	Attache de fils	FP202823AV	1

No. de Réf.	Description	Número de Pièce	Qté.
21	Kit de tuyau de ventilation	FP202839AV	1
22	Trousse de douille de l'isolateur du moteur	FP209037AV	1
23	Accessoires	FP204008AV	1
24	Écrou	●	4
25	Vis	●	4
26	Vis	●	4
27	Assemblage de régulateur	FP204835AV	1
28	Vis	●	2
29	Ressort	(see part #10)	1
30	Capuchon	(see part #10)	1
31	Réservoir d'air	--	1
32	Tuyau de rappel de 8 m (25 pi)	MP268100AV	1
33	Soulagement de tension	▼	1

NÉCESSAIRE DE PIÈCES DE RECHANGE

▲	Trousse d'épaulement	FP209034AV
■	Trousse de couvercle et base de moteur	FP209038AV
●	Trousse d'attache	FP209040AV
◆	Trousse de pied en caoutchouc	FP202836AV
▼	Trousse du cordon d'alimentation / soulagement de tension	FP209534AV
☆	Trousse pour décalcomanie	FP202837AV
*	Article normal de quincaillerie	
--	Pas disponible	

Garantie Limitée

1. DURÉE: À partir de la date d'achat par l'acheteur original comme suit : Un An.
2. GARANTIE ACCORDÉE PAR (GARANT) :
Campbell Hausfeld/Scott Fetzer Company, 100 Production Drive, Harrison, Ohio, 45030, Téléphone: (800) 543-6400.
3. BÉNÉFICIAIRE DE CETTE GARANTIE (ACHETEUR) : L'acheteur original (sauf en cas de revente) du produit Campbell Hausfeld.
4. PRODUITS COUVERTS PAR CETTE GARANTIE : N'importe quel compresseur d'air Campbell Hausfeld.
5. COUVERTURE DE LA PRÉSENTE GARANTIE : Pièces et Main d'œuvre pour remédier à de défauts importants causés par matériau et main d'œuvre pendant la première année de possession avec les exceptions indiquées ci-dessous. Pièces seulement pour remédier à de défauts importants causés par matériau et main d'œuvre pendant le temps restant de la couverture avec les exceptions indiquées ci-dessous.
6. LA PRÉSENTE GARANTIE NE COUVRE PAS :
 - A. Les garanties implicites, y compris celles de commercialisation et D'ADAPTATION À UNE FONCTION PARTICULIÈRE SONT LIMITÉES À PARTIR DE LA DATE D'ACHAT INITIALE TELLE QU'INDIQUÉE DANS LA SECTION DURÉE. Si le compresseur d'air est utilisé pour une fonction commerciale, industrielle ou pour la location, la durée de la garantie sera quatre-vingt-dix (90) jours de la date d'achat. Les compresseurs de deux étages ne sont pas limités à une garantie de quatre-vingt-dix (90) jours si utilisés dans les applications commerciales ou industrielles. Certaines Provinces (États) n'autorisent pas de limitations de durée pour les garanties implicites, donc les limitations précédentes peuvent donc ne pas s'appliquer.
 - B. TOUT DOMMAGE, PERTE OU DÉPENSE FORTUIT OU INDIRECT POUVANT RÉSULTER DE TOUT DÉFAUT, PANNE OU MAUVAIS FONCTIONNEMENT DU PRODUIT CAMPBELL HAUSFELD. Quelques Provinces (États) n'autorisent pas l'exclusion ni la limitation des dommages fortuits ou indirects. La limitation ou l'exclusion précédente peut donc ne pas s'appliquer.
 - C. Toute panne résultant d'un accident, d'une utilisation abusive, de la négligence ou d'une utilisation ne respectant pas les instructions données dans le(s) manuel(s) accompagnant le produit.
 - D. Service avant livraison; le montage, l'huile ou la graisse et les réglages par exemple.
 - E. Articles ou services qui sont exigés pour l'entretien normal du produit; graisses, filtres et joints d'étanchéité par exemple.
 - F. Les moteurs à essence et les pièces détachées sont expressément exclus de cette garantie limitée. L'acheteur doit observer la garantie du fabricant de moteur qui est fournie avec le produit.
 - G. Articles supplémentaires qui ne sont pas couverts sous cette garantie :
 1. Articles exclus relatifs à Tous les Compresseurs
 - a. Toutes pièces détachées endommagées pendant l'expédition, n'importe quelle panne causée par un montage ou fonctionnement du modèle sous des conditions qui ne se conforment pas aux directives de montage et de fonctionnement ou dommage causé par le contact avec les outils ou les alentours.
 - b. La défaillance de la pompe ou de la soupape causée par la pluie, l'humidité excessive, un environnement corrosif ou autres polluants.
 - c. Les défauts de forme qui n'ont pas d'effet sur le fonctionnement du compresseur.
 - d. Les réservoirs rouillés, y compris mais sans s'y limiter à la rouille causée par la vidange incorrecte ou par un environnement corrosif.
 - e. Les composants suivants sont considérés comme des articles sujets à l'usure normale et ne sont pas couverts après le premier an de possession. Moteur électrique, soupape de retenue, interrupteur de pression, régulateur, manomètres, tuyaux, tubes, raccords, vis, écrous, articles de quincaillerie, courroies, poulies, volant, filtre d'air et boîtier, joints d'étanchéité, fuites d'air et d'huile, consommation ou usage d'huile, anneaux de piston.
 - f. Robinets de vidange.
 - g. Dommage dû à la tension ou installation de fils incorrecte.
 - h. Autres articles non indiqués mais considérés pièces d'usure générale.
 - i. Manostats, régulateurs d'air et soupapes de sûreté qui ont été modifiés d'après les réglages de l'usine.
 - j. Dommage causé par l'entretien insuffisant du filtre.
 - k. Moteurs à induction utilisant l'électricité produite par un générateur.
 2. Compresseurs Graissés
 - a. Usure de la pompe ou dommage aux soupapes causé par l'utilisation d'huile non-spécifiée.
 - b. Usure de la pompe ou dommage aux soupapes causé par toute contamination d'huile ou par le manque de suivre les directives d'entretien d'huile.
 - c. Usure ou dommage de la pompe causé par le manque de suivre les directives d'entretien d'huile, fonctionnement avec le niveau d'huile au dessous du bon niveau ou fonctionnement sans huile.
 - H. Main d'œuvre, appel de service, ou frais de transport après le premier an de possession de compresseurs stationnaires. Les compresseurs stationnaires sont identifiés par l'absence de manchon ou de roues.
7. RESPONSABILITÉS DU GARANT AUX TERMES DE CETTE GARANTIE : Réparation ou remplacement, au choix du Garant, d'un compresseur ou d'une pièce détachée qui s'est révélé défectueux ou qui n'est pas conforme pendant la durée de validité de la garantie.
8. RESPONSABILITÉS DE L'ACHETEUR AUX TERMES DE CETTE GARANTIE :
 - A. Fournir une preuve d'achat datée et un état d'entretien.
 - B. Appelez Campbell Hausfeld (800-543-6400) pour obtenir vos options de service sous garantie. Les frais de transport sont la responsabilité de l'acheteur.
 - C. Utilisation et entretien du produit avec un soin raisonnable, ainsi que le décrit le(s) manuel(s) d'utilisation.
 - D. Réparations qui exigent de temps additionnel, taux de charge de fin de semaine, ou tout problème au-delà du taux normal de remboursement par main d'œuvre de réparations sous garantie du fabricant.
 - E. Temps nécessaire pour tout contrôle de sécurité, entraînement de sécurité, ou situation semblable parce que le personnel de service puisse obtenir l'accès à l'installation.
 - F. L'emplacement de l'unité doit être facilement accessible et avoir l'espace suffisant parce que le personnel de service puisse effectuer les réparations.
9. RÉPARATION OU REMPLACEMENT EFFECTUÉ PAR LE GARANT AUX TERMES DE LA PRÉSENTE GARANTIE : La réparation ou le remplacement sera prévu et exécuté en fonction de la charge de travail dans le centre de service et dépendra de la disponibilité des pièces de rechange.

Cette Garantie Limitée s'applique aux É.-U., au Canada et au Mexique seulement et vous donne des droits juridiques précis. L'acheteur peut également jouir d'autres droits qui varient d'une Province, d'un État ou d'un Pays à l'autre.

Ver la Garantía en página 24 para información importante sobre el uso comercial de este producto.

Manual de Instrucciones de Operación y Lista de Piezas

FP202800, FP202900

Por favor lea y guarde estas instrucciones. Léalas cuidadosamente antes de tratar de montar, instalar, operar o dar mantenimiento al producto aquí descrito. Protéjase usted mismo y a los demás observando toda la información de seguridad. ¡El no cumplir con las instrucciones puede ocasionar daños, tanto personales como a la propiedad! Guarde estas instrucciones para referencia en el futuro.



CAMPBELL HAUSFELD®

Compresores Sin Aceite

Descripción

Compresores sin aceite diseñados para los aficionados al bricolaje, con una variedad de trabajos domésticos y automotores. Estas unidades funcionan sin aceite. El aire comprimido que sale de esta unidad contiene humedad. Instale un filtro de humedad o un secador de aire si la aplicación requiere aire seco.

Desempaque

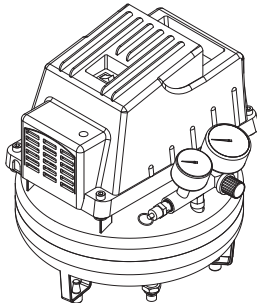
Cuando desempaque la unidad, inspecciónela cuidadosamente para verificar si se han producido daños durante el transporte. Asegúrese de apretar todos los accesorios, pernos, etc. que estén sueltos antes de poner la unidad en servicio. En el caso de que haya daño o partes que faltan, haga el favor de llamar al 1-800-543-6400 para obtener ayuda. Se incluye una lista de los lugares en donde se encuentran los centros de servicio. Tenga a mano el número de serie, el número del modelo y la lista de partes (con las partes que faltan marcadas con un círculo) antes de llamar.



**NE PAS RENVOYER
LE PRODUIT AU
MARCHAND!**

ADVERTENCIA No debe utilizar la unidad si se ha dañado durante el envío, manejo o uso. Los daños podrían ocasionar una explosión y ocasionarle heridas o daños a su propiedad.

**LEA Y SIGA TODAS LAS
INSTRUCCIONES
GUARDE ESTAS INSTRUCCIONES
NO LAS DESECHE**



Registre en el espacio a continuación el No. del Modelo, el Número de Serie y la Fecha de Compra ubicados en la base debajo de la bomb.

No. del Modelo FP202800, FP202900

No. de Serie _____

Fecha de Compra _____

Guarde estos números para referencia en el futuro.

Medidas de Seguridad

Este manual contiene información que es muy importante que sepa y comprenda. Esta información se la suministramos como medida de SEGURIDAD y para EVITAR PROBLEMAS CON EL EQUIPO. Debe reconocer los siguientes símbolos.

PELIGRO Peligro indica una situación inminentemente peligrosa, que si no se evita, dará como resultado la muerte o lesiones graves.

ADVERTENCIA Advertencia indica una situación potencialmente peligrosa, que si no se evita, PODRÍA ocasionar la muerte o lesiones graves.

PRECAUCION Precaución indica una situación potencialmente peligrosa, que si no se evita, PUEDE dar como resultado lesiones leves o moderadas.

PELIGRO

Advertencia sobre el aire respirable

Este compresor/cabezal no viene listo de fábrica para suministrarle aire respirable. Antes de utilizarlos con este fin, deberá instalarle un sistema de seguridad y alarma incorporado a la línea. Este sistema adicional es necesario para filtrar y purificar el aire adecuadamente, para cumplir con las especificaciones mínimas sobre aire respirable de Grado D descritas en la Especificación de Productos G 7.1 - 1966 de la Asociación de Aire Comprimido. Igualmente, deberá cumplir los requisitos establecidos por el Artículo 29 CFR 1910. 134 de la Organización norteamericana OSHA y/o la Canadian Standards Associations (CSA).

RENUNCIA A LAS GARANTIAS
Si el compresor se utiliza para producir aire respirable SIN haberle instalado el sistema de seguridad y alarma, todas la garantías se anularán y la compañía Campbell Hausfeld no asumirá NINGUNA responsabilidad por pérdidas, heridas personales o daños.

AVISO

Aviso indica una información importante, que de no seguirla, le podría ocasionar daños al equipo.

NOTA: Información que requiere atención especial.

RECORDATORIO: ¡Guarde su comprobante de compra con fecha para fines de la garantía!
Adjúntela a este manual o archívela en lugar seguro.

Informaciones Generales de Seguridad

PROPOSICIÓN 65 DE CALIFORNIA

ADVERTENCIA Este producto, o su cable de corriente pueden contener químicos, incluido plomo, que es conocido por el Estado de California como causante de cáncer y defectos de nacimiento u otros daños reproductivos. Lávese las manos después de manipularlo.

ADVERTENCIA

Cuando corta lija, taladra o pule materiales como por ejemplo madera, pintura, metal, hormigón, cemento, u otro tipo de mampostería se puede producir polvo. Con frecuencia este polvo contiene productos químicos que se conocen como causantes de cáncer, defectos congénitos u otros daños reproductivos. Use equipo de protección.



GENERALES SEGURIDAD

Como el compresor de aire y otros componentes usados (bomba de material, pistolas pulverizadoras, filtros, lubricadores, mangueras, etc.) integran un sistema de alta presión, en todo momento deberá seguir las siguientes medidas de seguridad:

1. Lea con cuidado todos los manuales incluidos con este producto. Familiarícese con los controles y el uso adecuado del equipo.
2. Siga todos los códigos de seguridad laboral y electricidad establecidos en su país, por ejemplo, los de la NEC y OSHA en EUA.
3. Sólo personas bien familiarizadas con estas medidas de seguridad deben utilizar el compresor.
4. Mantenga a los visitantes alejados y NUNCA permita la presencia de niños en el área de trabajo.
5. Use anteojos de seguridad y protéjase los oídos para operar la unidad.
6. No se encarama sobre la unidad ni la use para sostenerse.
7. Antes de cada uso, revise el sistema de aire comprimido y los componentes eléctricos para ver si están dañados, deteriorados o hay fugas. Antes de usarlo cerciórese de reemplazar las piezas defectuosas.
8. Chequee con frecuencia todas la conexiones y cerciórese de que estén bien apretadas.



ADVERTENCIA

Los motores, equipos eléctricos y controles, pueden ocasionar arcos eléctricos que se encenderían con gases o vapores inflamables. Nunca utilice o repare el compresor cerca de gases o vapores inflamables. Nunca almacene líquidos o gases inflamables cerca del compresor.



ADVERTENCIA

Nunca opere el compresor sin las tapas de protección. Esta unidad se puede encender automáticamente sin previo aviso. El contacto con las piezas en movimiento le podría ocasionar heridas o daños a su propiedad.



9. Mantenga los dedos alejados del compresor cuando esté funcionando; las piezas en movimiento o calientes le ocasionarían heridas y/o quemaduras.
10. Si el equipo comienza a vibrar excesivamente, APAGUE la unidad y chequéela inmediatamente para determinar el problema. Generalmente, la vibración se debe a una falla.
11. Para reducir el peligro de incendios, mantenga el exterior del compresor limpio (sin aceite, solvente o exceso de grasa).

ADVERTENCIA

DEBE instalarle una válvula de seguridad ASME que esté diseñada para presiones máximas de 10,34 bar en el tanque de este compresor. Esta válvula debe estar diseñada para los valores máximos de flujo y presión para proteger los componentes bajo presión contra el peligro de explosión.

PRECAUCION

Vea las especificaciones del compresor en la calcomanía para la presión máxima operativa. No opere con el presostato o la válvula piloto ajustados a presiones más elevadas de la presión máx. operativa.

12. Nunca trate de ajustar la válvula de seguridad ASME. Manténgala limpia y evite que la acumulación de pintura u otros desperdicios.

ADVERTENCIA

Nunca use tuberías de plástico (PVC) en sistemas de aire comprimido. El compresor sin las tapas de protección. El hacerlo podría ocasionarle heridas o daños a su propiedad.

PELIGRO

¡Nunca trate

de reparar o modificar el tanque! Al soldarlo, taladarle orificios o modificarlo de cualquier otro modo éste se debilitaría y podría romperse o explotar. Siempre reemplace los tanques desgastados, rotos o dañados.



AVISO

Drene el tanque diariamente.

13. Los tanques se oxidan debido a la acumulación de humedad. Cerciórese de drenar el tanque con regularidad e inspéctelo periódicamente para ver si no está en buenas condiciones, por ejemplo si está oxidado.
14. Si expulsa aire rápidamente podría levantar polvo o residuos dañinos. Libere el aire lentamente para drenar el tanque o liberar la presión del compresor.

PRECAUCIONES PARA ROCIAR

ADVERTENCIA

Nunca rocíe materiales inflamables cerca de llamas al descubierto o fuentes de ignición, incluyendo el compresor.



15. No fume mientras esté rociando pintura, insecticidas u otras sustancias inflamables.
16. Use una máscara / respirador cuando vaya a rociar y siempre rocíe en un área bien ventilada, para evitar peligros de salud e incendios.
17. Nunca rocíe la pintura y otros materiales, directamente hacia el compresor. Coloque el compresor lo más lejos posible del área de trabajo, para minimizar la acumulación de residuos en el compresor.
18. Al rociar o limpiar con solventes o químicos tóxicos, siga las instrucciones del fabricante de dichos químicos.



Introducción

Vea la Figura 4.

Interruptor ON/OFF (I/O) - Ponga el interruptor en la posición ON (I) para encender el compresor. Ponga el interruptor en la posición OFF (O) para apagar el compresor. El interruptor debe colocarse en la posición OFF (O) para conectar o desconectar el cordón eléctrico del tomacorrientes o para cambiar herramientas.

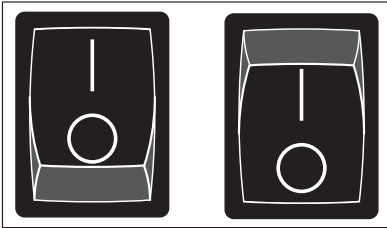


Figura 1

Regulador - El regulador controla la cantidad de presión de aire expulsada por la manguera. Al girar la perilla del regulador en sentido horario (hacia la derecha) la presión de aire a la salida aumenta. Al girar la perilla en sentido antihorario (hacia la izquierda) la presión de aire a la salida disminuye. Al girar la perilla completamente en sentido antihorario, el suministro de aire se cierra completamente.

Manómetros - Hay dos tipos de manómetros ubicados cerca del regulador. Estos manómetros indican la presión de aire en libras por pulgada cuadrada (bar). El manómetro más grande indica la presión a la salida. Asegúrese de que este manómetro indique CERO (ajustando el regulador) ANTES de cambiar herramientas neumáticas o desconectar la manguera de la salida. El manómetro pequeño mide la presión del tanque para indicar que el compresor está aumentando la presión adecuadamente.

Válvula de seguridad ASME - Esta válvula automáticamente libera el aire si la presión del tanque excede el valor máximo fijado de fábrica.

Mango - Diseñado para mover el compresor.

Llave de drenaje - Esta válvula está ubicada debajo del tanque. Úsela para drenar la humedad del tanque diariamente, para evitar que el tanque se oxide.

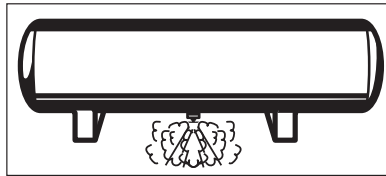


Figura 2

Instalación

COLOCACIÓN

Es extremadamente importante instalar el compresor en un área limpia, seca y bien ventilada. El compresor debe estar ubicado sobre una superficie firme y nivelada donde la temperatura del aire circundante no sobrepase los 38°C (100°F).

Se requiere un espacio mínimo de 45,7 cm (18 pulgadas) entre el compresor y la pared, ya que los objetos podrían obstruir el paso de aire.

⚠ PRECAUCIÓN *No coloque la entrada de aire del compresor cerca de áreas con vapor, vapores de pintura, chorros de arena o cualquier otra fuente de contaminación. Los desperdicios dañarán el motor.*

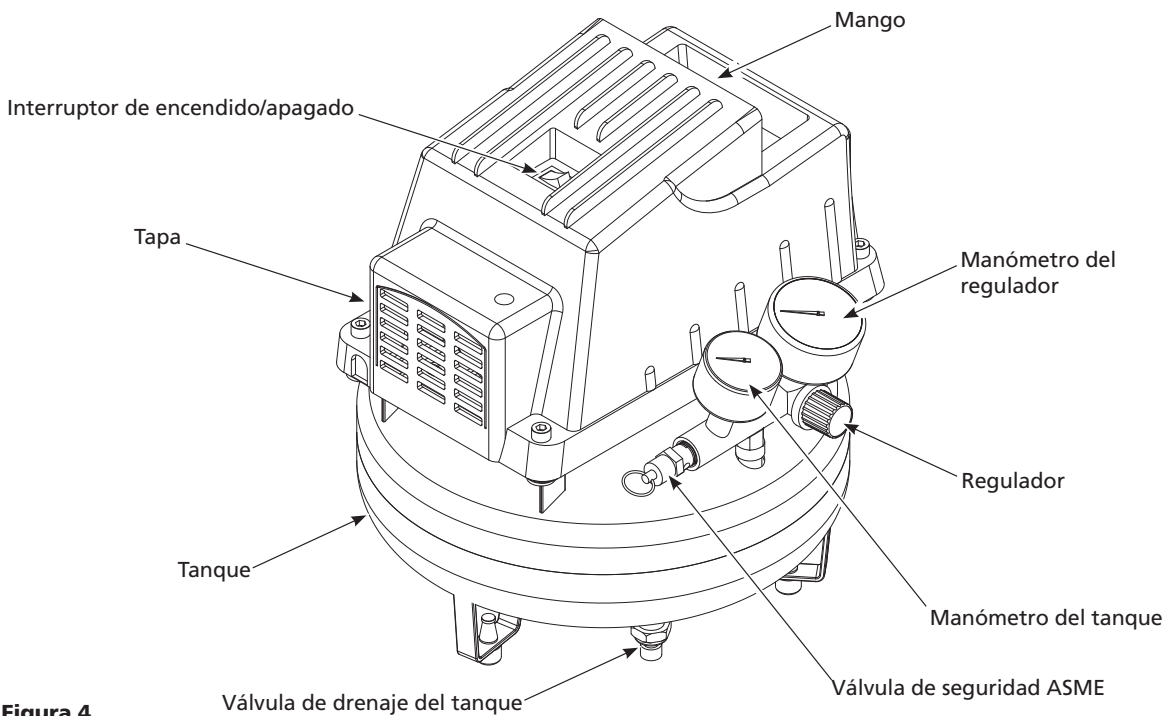


Figura 4

Instalación (Continuación)

CONEXION A TIERRA

- Este producto está diseñado para circuitos nominales de 120 voltios y tiene un enchufe para conexión a tierra similar al de la Figura 3. Cerciórese de conectarlo a un tomacorrientes cuya configuración sea similar a la del enchufe. Este producto se debe conectar a tierra. En caso de que ocurra un cortocircuito, ésto evitaría el riesgo de choque eléctrico al ofrecerle un cable de desvío a la corriente eléctrica. Este producto tiene un cordón con un alambre y terminal de conexión a tierra. Debe conectarlo a un tomacorrientes que esté instalado adecuadamente según los códigos y ordenanzas locales.

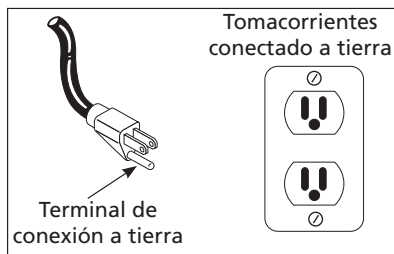


Figura 3 - Méthode de mise à la terre

▲ PELIGRO El uso inadecuado del enchufe con conexión a tierra podría ocasionarle choques eléctricos.



▲ PELIGRO No use un adaptador para conexión a tierra con este producto.

- Si necesita reparar o reemplazar el cordón o el enchufe, no conecte el cable de conexión a tierra a ninguno de los terminales planos. El alambre cuya superficie externa del aislante es verde, con o sin rayas amarillas, es el cable de conexión a tierra.

▲ ADVERTENCIA Nunca conecte los cables verdes o verde con rayas amarillas, a un terminal con tensión.

- Consúltele a un electricista calificado o a un técnico de reparación, en caso de que no comprenda bien las instrucciones o si tiene dudas de que esté conectado a tierra adecuadamente. No modifique el enchufe, si éste no entra en el tomacorrientes, mande a instalar un tomacorrientes adecuado con un electricista calificado.

▲ PRECAUCION Un cableado inadecuado provocará daños por sobrecalentamiento, cortocircuitos e incendio.

LUBRICACION

Este es un aparato sin aceite y **NO REQUIERE** lubricación para su funcionamiento.

Pre-Funcionamiento

ANTES DE ARRANCARLO POR PRIMERA VEZ - PROCEDIMIENTO DE ABLANDE

(Complete este procedimiento antes de usar el compresor por primera vez. Una vez completado, no es necesario repetirlo.)

- Gire la perilla del regulador totalmente hacia la derecha para abrir el flujo de aire.
- No conecte** una manguera ni ningún otro accesorio al salida de aire del compresor.
- Coloque el interruptor de encendido/apagado en la posición **OFF** (apagado).
- Enchufe el cable de corriente.
- Coloque el interruptor de encendido/apagado en la posición **ON** (encendido). Deje que el compresor funcione durante 30 minutos.
- Coloque el interruptor de encendido/apagado en la posición **OFF** (apagado).
- Desenchufe el cable de corriente. Ahora el compresor está listo para ser usado.

ANTES DE INICIAR CADA PROCEDIMIENTO DE ENCENDIDO

- Gire la perilla del regulador totalmente hacia la izquierda.
- Conecte la manguera de aire a la salida del regulador.
- Coloque el interruptor de encendido/apagado en la posición **OFF** (apagado).
- Enchufe el cable de corriente.
- Gire el interruptor de encendido/apagado a la posición **ON** (encendido) y deje que el compresor funcione hasta que alcance la presión de apagado automático.
- Conecte la boquilla para inflar neumáticos u otra herramienta al extremo de la manguera.

- Gire la perilla del regulador hacia la derecha hasta la presión deseada para la herramienta que esté usando.

Funcionamiento

ENCENDIDO

▲ PRECAUCION No conecte ninguna

herramienta al extremo de la manguera hasta que haya terminado el proceso de preparación para el uso y haya verificado que la unidad esté lista para funcionar.

CICLO DE ENCENDIDO/APAGADO DEL COMPRESOR

En la posición **ON/AUTO** (encendido/automático), el compresor bombea aire dentro el tanque. Cuando se alcanza la presión de apagado ("corte" preestablecido), el compresor se apaga automáticamente.

Si se deja el compresor en la posición **ON/AUTO** (encendido/automático) y el aire sale del tanque al usar una boquilla para inflar neumáticos, una herramienta, etc., el compresor se reiniciará automáticamente a su presión de "corte" preestablecida. Cuando se use una herramienta en forma continua, el compresor cumplirá un ciclo de encendido y apagado en forma automática.

En la posición **OFF** (apagado), el interruptor de presión no puede funcionar y el compresor no se pondrá en funcionamiento. Asegúrese de que el interruptor esté en la posición **OFF** cuando conecte o desconecte el cable de corriente del tomacorriente.

MANÓMETROS

El manómetro conectado al regulador indica la presión de aire que pasa por la manguera (y por cualquier herramienta conectada al extremo de la manguera).

El manómetro conectado al interruptor de presión indica la presión de aire en el tanque.

HUMEDAD EN EL AIRE COMPRIMIDO

La humedad que se acumula en el aire comprimido se convierte en gotas a medida que sale de la bomba. Cuando el nivel de humedad es muy alto o cuando el compresor ha estado en uso continuo por mucho tiempo, esta humedad se acumulará en el tanque. Cuando esté pintando o rociando arena, la humedad saldrá del tanque mezclada con el material que esté rociando.

IMPORTANTE: Esta condensación ocasionará manchas en la pintura, especialmente cuando esté pintando con pinturas que no sean a base de agua. Si está rociando arena, la humedad hará que la arena se aglutine y obstruya la pistola.

2. Drene la humedad del tanque abriendo la válvula de drenaje debajo del tanque. Incline el tanque para eliminar toda la humedad.
3. Limpie el polvo y la suciedad del tanque, las líneas de aire y la cubierta de la bomba, mientras el compresor continúa apagado (OFF).

VALVULA DE SEGURIDAD ASME

⚠ ADVERTENCIA ¡Nunca desconecte o trate de ajustar la válvula de seguridad ASME!

Revise la válvula de seguridad siguiendo los siguientes pasos:

1. Enchufe el compresor y hágalo funcionar hasta que se alcance la presión de corte (consulte Funcionamiento).

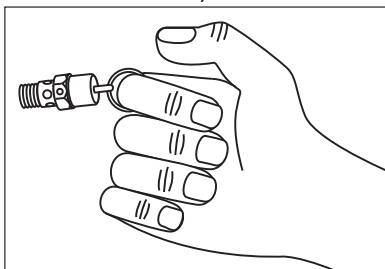


Figure 5

2. Usando gafas de protección, tire del anillo de la válvula de seguridad para liberar la presión del tanque del compresor. Use su otra mano para desviar el aire que se mueve a gran velocidad y evitar que le dé en el rostro.
3. Esta válvula de seguridad debería cerrarse automáticamente a 2,76 bar - 3,45 bar. Si la válvula de seguridad no deja salir aire cuando tira del anillo o si no se cierra automáticamente, DEBE ser reemplazada.

DRENAJE DEL TANQUE

Apague el compresor y libere toda la presión, después: Abra la llave de drenaje, ubicada debajo del tanque, para drenarle toda la humedad.

LIMPIEZA

APAGUE la unidad y limpie la tapa del cabezal, el tanque y las líneas de aire.

IMPORTANTE: El compresor debe colocarse lo más lejos posible del área de pulverización, según lo permita la

longitud de la manguera, para evitar que el exceso de pulverización atasque el filtro de aire.

LUBRICACION

Este compresor no requiere lubricación.

SECCIÓN DEL PROTECTOR DE LA SOBRECARGA

⚠ PRECAUCION Este compresor está equipado con un protector manual contra sobrecarga que apagará el motor cuando éste se sobrecargado.

Si el protector apaga el motor con mucha frecuencia puede ser por lo siguiente:

1. Voltaje bajo.
2. El filtro de aire está atascado.
3. La ventilación es inadecuada.

⚠ PRECAUCION Si se activa el protector de sobrecarga, se debe dejar enfriar el motor durante 30 minutos antes de reiniciarlo manualmente.

CONCLUSIÓN DEL TRABAJO / ALMACENAJE

1. Coloque el interruptor de ON / OFF en la posición OFF (apagado).
2. Desenchufe el cordón del tomacorrientes de pared y envuélvalo alrededor del mango para prevenir daños cuando no se use.
3. Con las gafas de seguridad puestas, descargue el aire del tanque halando el anillo de la válvula de seguridad. Use su otra mano para desviar el aire que se mueve a gran velocidad y evitar que le dé en el rostro.
4. Drene el tanque de la condensación abriendo la válvula de drenaje al fondo del tanque. Cuando drene el tanque, la presión debe estar por debajo de 0,69 bar.
5. Debe desconectar la manguera del compresor y colgarla con los extremos hacia abajo para que toda humedad se drene.
6. El compresor y la manguera deben guardarse en un lugar fresco y seco.

ASISTENCIA TÉCNICA

Para recibir información sobre el funcionamiento o reparación de la unidad, sírvase llamar al 1-800-543-6400 (en EUA).

Mantenimiento

⚠ ADVERTENCIA

Desconecte el cordón eléctrico y amárrelo; después libere toda la presión del sistema antes de tratar de instalarlo, darle servicio o darle cualquier tipo de mantenimiento.



Este compresor se debe chequear con frecuencia para ver si tiene algún tipo de problemas y le debe dar el siguiente mantenimiento antes de cada uso.

⚠ ADVERTENCIA

Se debe reemplazar la válvula de seguridad si no se puede accionar o si tiene una fuga de aire después de liberar el anillo.

1. Apague el compresor y libere la presión del sistema. (Para liberar la presión del sistema, tire del anillo de la válvula de seguridad ASME. Desvíe el aire cubriendo la válvula con una mano mientras tira del anillo con la otra mano.) Tire del anillo hasta vaciar el tanque.

⚠ PRECAUCION

Cuando se abra la válvula de seguridad con presión en el tanque, se liberará una gran cantidad de aire que se mueve a gran velocidad. Use gafas de seguridad Z87.1 aprobadas por ANSI.

MANTENIMIENTO			
SERVICIO NECESARIO	DIARIAMENTE	SEMANALMENTE	MENSUALMENTE
Drene el Tanque	●		
Chequee la Válvula de Seguridad		●	
Limpie la unidad			●

Guía de Diagnóstico de Averías

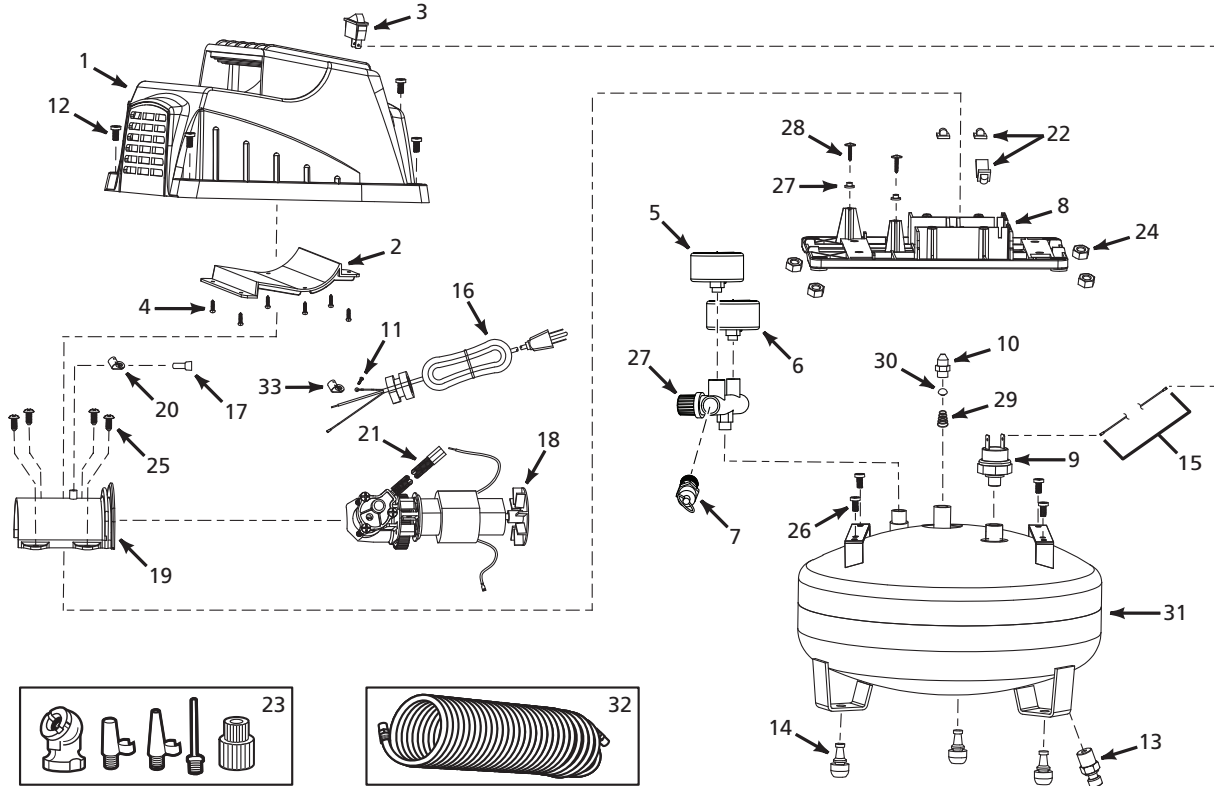
Problema	Posible(s) Causa(s)	Acción a Tomar
El compresor no funciona	<ol style="list-style-type: none"> 1. El interruptor está en la posición OFF (apagado) 2. No hay corriente eléctrica en el tomacorriente de la pared 3. El compresor alcanzó la presión de corte automático 4. Motor recalentado 5. Interruptor de presión defectuoso 	<ol style="list-style-type: none"> 1. Asegúrese de que el compresor esté enchufado y que el interruptor esté en la posición ON (encendido). 2. Revise el disyuntor o fusible en el panel de electricidad. 3. Libere aire del tanque hasta que el compresor se reinicie automáticamente. 4. Deje que el compresor se enfríe durante aproximadamente 30 minutos para que el interruptor térmico de sobrecarga vuelva a su posición normal. Asegúrese de que el compresor esté funcionando en un área limpia y bien ventilada. 5. Cambie el interruptor de presión.
El protector térmico de sobrecarga detiene el funcionamiento reiteradamente	<ol style="list-style-type: none"> 1. Bajo voltaje 2. Calibre del cable o largo del cordón de extensión incorrectos 3. Filtro de entrada obstruido 4. Falta de ventilación adecuada/ temperatura ambiente demasiado alta 5. Válvula de retención defectuosa 6. Válvula de descarga defectuosa (en el interruptor de presión) 7. Fallaron las válvulas del compresor 	<ol style="list-style-type: none"> 1. CVerifique el voltaje en el tomacorriente de pared con un voltímetro. 2. Verifique el cuadro del cordón de extensión para ver el correcto uso del mismo. 3. Limpie o reemplace el filtro. 4. Mueva el compresor a un área bien ventilada. 5. Repare o reemplace. 6. Repare o reemplace. 7. Reemplace el ensamble de la válvula. <p>⚠ PELIGRO <i>No desensamble la válvula de retención con aire en el tanque; purgue el tanque.</i></p>
La presión del tanque disminuye cuando se apaga el compresor	<ol style="list-style-type: none"> 1. Válvula de drenaje floja 2. Fugas en la válvula de retención 3. Conexiones flojas en los accesorios, tubería, etc. 4. Fugas del tanque 	<ol style="list-style-type: none"> 1. Ajuste. 2. Retire la válvula de retención. Limpie o reemplace. 3. Revise todas las conexiones con una solución de agua y jabón. Si detecta una fuga, (1) ajuste o (2) retire las conexiones y aplique cinta para tuberías en las roscas, y vuelva a ensamblar. 4. Revise el tanque en busca de fugas con una solución de agua y jabón. Si detecta una fuga, se deberá reemplazar el tanque con una pieza de repuesto original. <p>⚠ PELIGRO <i>No desensamble la válvula de retención con aire en el tanque; purgue el tanque.</i></p>
El compresor funciona en forma continua y la salida de aire es más baja que la presión de descarga normal/baja.	<ol style="list-style-type: none"> 1. Uso excesivo de aire, el compresor es demasiado pequeño 2. Filtro de entrada obstruido 3. Conexiones flojas en los accesorios, tubería, etc. 4. Fugas del tanque 5. Válvulas rotas 6. Aro del pistón desgastado 	<ol style="list-style-type: none"> 1. Disminuya el uso o compre una unidad que ofrezca una entrega de aire mayor (SCFM). 2. Limpie o reemplace. 3. Revise todas las conexiones con una solución de agua y jabón. Si detecta una fuga, (1) ajuste o (2) retire las conexiones y aplique cinta para tuberías en las roscas, y vuelva a ensamblar. 4. Revise el tanque en busca de fugas con una solución de agua y jabón. Si detecta una fuga, se deberá reemplazar el tanque con una pieza de repuesto original. 5. Reemplace las válvulas del compresor según sea necesario. 6. Reemplace los aros del pistón.
Exceso de humedad en el aire de descarga	<ol style="list-style-type: none"> 1. Demasiada agua en el tanque 2. Humedad elevada 	<ol style="list-style-type: none"> 1. Drene el tanque. 2. Llévelo a un área menos húmeda, utilice un filtro de aire de línea. <p>NOTA: La condensación de agua no es una causa para el mal funcionamiento del compresor.</p>
El compresor funciona en forma continua y la válvula de seguridad se abre cuando aumenta la presión	<ol style="list-style-type: none"> 1. Presostato defectuoso 2. Válvula de seguridad defectuosa 	<ol style="list-style-type: none"> 1. Reemplace el interruptor. 2. Cambie la válvula de retención con un repuesto original.

Para ordenar repuestos, sírvase llamar al distribuidor más cercano a su domicilio

Sírvase darnos la siguiente información:

- Número del modelo
- Número de serie (de haberlo)
- Descripción y número del repuesto según la lista de repuestos

Puede escribirnos a:
Campbell Hausfeld
Attn: Customer Service
100 Production Drive
Harrison, OH 45030



No. de Ref.	Descripción	Número del Repuesto	Ctd.
1	Tapa	▲	1
2	Accesorio de la cubierta	▲	1
3	Interruptor de encendido/apagado	FP204824AV	1
4	Tornillo M3 x .15	▲	6
5	Manómetro (Regulador)	FP204013AV	1
6	Manómetro (Tanque)	FP204012AV	1
7	Válvula de seguridad	V-215102AV	1
8	Base de plástico	■	1
9	Presostato	FP209530AV	1
10	Valvula de chequeo (incluye piezas No. 29 y 30)	FP209532AV	1
11	Tornillo M4x0.7x6	*	1
12	Tornillo M6x1.0x10	●	4
13	Válvula de drenaje	D-1403	1
14	Pata de caucho (Tanque)	◆	3
15	Cable (interruptor de presión a interruptor de corriente)	FP209523AV	1
16	Cordón de alimentación	▼	1
17	Tornillo M3x10	*	1
18	Ensamblaje de bomba/motor (incluye pieza No. 21)	FP209039AV	1
19	Cubierta del motor	■	1
20	Sujetador del cable	FP202823AV	1

No. de Ref.	Descripción	Número del Repuesto	Ctd.
21	Kit de tubo de escape	FP202839AV	1
22	Juego de buje del aislador del motor	FP209037AV	1
23	Accesorios	FP204008AV	1
24	Tuerca	●	4
25	Tornillo	●	4
26	Tornillo	●	4
27	Ensamble del regulador	FP204835AV	1
28	Tornillo	●	2
29	Resorte	(see part #10)	1
30	Casquete	(see part #10)	1
31	Tanque de aire	--	1
32	Manguera de retroceso de 8 m (25 feet)	MP268100AV	1
33	Relevo de tensión	▼	1

NÉCESSAIRE DE PIÈCES DE RECHANGE

▲	Juego de la cubierta	FP209034AV
■	Juego de cubierta y base del motor	FP209038AV
●	Juego de sujetador	FP209040AV
◆	Juego de pata de goma	FP202836AV
▼	Juego del cordón de corriente / Relevo de tensión	FP209534AV
☆	Juego para calcomanía	FP202837AV
*	Artículo estándar de ferretería	
--	No disponible	

Garantía Limitada

1. DURACIÓN: A partir de la fecha de compra por el comprador original tal como se especifica a continuación: Un Año.
2. QUIEN OTORGA ESTA GARANTÍA (EL GARANTE: Campbell Hausfeld / The Scott Fetzer Company 100 Production Drive, Harrison, Ohio 45030 Teléfono: (800) 543-6400
3. QUIEN RECIBE ESTA GARANTÍA (EL COMPRADOR): El comprador original (que no sea un revendedor) del producto Campbell Hausfeld.
4. PRODUCTOS CUBIERTOS POR ESTA GARANTÍA: Cualquier compresor de aire Campbell Hausfeld.
5. COBERTURA DE LA GARANTÍA: Piezas y Mano de Obra para remediar defectos importantes debidos a material y mano de obra durante el primer año de propiedad con las excepciones indicadas a continuación. Piezas solamente para remediar defectos importantes debidos a material y mano de obra durante el tiempo de cobertura que quede con las excepciones indicadas a continuación.
6. LO QUE NO ESTÁ CUBIERTO POR ESTA GARANTÍA:
 - A. Las garantías implícitas, incluyendo aquéllas de comerciabilidad e IDONEIDAD PARA FINES PARTICULARES, ESTÁN LIMITADAS A PARTIR DE LA FECHA DE COMPRA ORIGINAL DE ACUERDO CON LO ESPECIFICADO EN EL PÁRRAFO DE DURACIÓN. Si el compresor de aire es empleado para uso comercial, industrial o para renta, la garantía será aplicable por noventa (90) días a partir de la fecha de compra. La garantía de los compresores de dos etapas no se limita a los 90 (noventa) días cuando éstos se usen para trabajos comerciales o industriales. En algunos estados no se permiten las limitaciones a la duración de una garantía implícita, por lo cual las limitaciones antedichas pueden no ser aplicables en su caso.
 - B. CUALQUIER PÉRDIDA DAÑO INCIDENTAL, INDIRECTO O CONSECUENTE QUE PUEDA RESULTAR DE UN DEFECTO, FALLA O MALFUNCIONAMIENTO DEL PRODUCTO CAMPBELL HAUSFELD. En algunos estados no se permite la exclusión o limitación de daños incidentales o consecuentes, por lo tanto, en tales casos esta limitación o exclusión no es aplicable.
 - C. Cualquier falla que resulte de un accidente, abuso, negligencia o incumplimiento de las instrucciones de funcionamiento y uso indicadas en el (los) manual(es) que se adjunta(n) al compresor.
 - D. Los servicios requeridos antes de la entrega tales como: ensamblaje, aceite o lubricantes y ajustes.
 - E. Artículos o servicios normalmente requeridos para el mantenimiento del producto, tales como: lubricantes, filtros, empaques, etc.
 - F. Los motores de gasolina están específicamente excluidos de la cobertura de esta garantía limitada. El comprador debe seguir las cláusulas de la garantía otorgada por el fabricante del motor de gasolina que se suministra con el producto.
 - G. Artículos adicionales no cubiertos bajo esta garantía:
 1. Piezas excluidas que pertenecen a Todos los Compresores
 - a. Cualquier componente dañado durante el envío o cualquier daño ocasionado por haber instalado u operado la unidad bajo condiciones contrarias a lo indicado en las instrucciones para instalar u operar la unidad o daños ocasionados por el contacto con herramientas o los alrededores.
 - b. Daños del cabezal o las válvulas ocasionados por la lluvia, humedad excesiva, agentes corrosivos u otros contaminantes.
 - c. Daños de apariencia que no afecten el funcionamiento del compresor.
 - d. Tanques oxidados, incluyendo pero no limitado al óxido debido al drenaje inadecuado u agentes corrosivos en el ambiente.
 - e. Las siguientes piezas se consideran artículos sujetos a desgaste normal y no son cubiertas después del primer año de propiedad. Motor eléctrico, válvula de retención, interruptor de presión, regulador, manómetros, mangueras, tuberías, tubos, accesorios y acoples, tornillos, tuercas, artículos de ferretería, correas, poleas, volante, filtro de aire y caja, juntas, sellos, pérdidas de aceite, pérdidas de aire, consumo o uso de aceite, anillos del pistón.
 - f. Llaves de drenaje
 - g. Daños debidos al alambrado incorrecto o conexión a circuitos con voltaje inadecuados para la unidad.
 - h. Otros artículos no enumerados pero considerados de desgaste general.
 - i. Presostatos, controles de flujo de aire y válvulas de seguridad cuyos parametros fijados de fábrica se modifiquen.
 - j. Daño por mantenimiento inadecuado del filtro.
 - k. Motores de inducción alimentados con electricidad producida por un generador.
 2. Compresores lubricados:
 - a. Daños del cabezal o las válvulas debidos al uso de aceites no especificados.
 - b. Daños del cabezal o las válvulas debidos a cualquier contaminación del aceite o por no haber seguido las instrucciones de lubricación.
 - c. Desgaste o daño de la bomba causados por el no haber aplicado apropiadamente los criterios de mantenimiento en referencia al aceite, funcionamiento con nivel de aceite por debajo del nivel apropiado o funcionamiento sin aceite.
 - H. Mano de obra, llamadas de servicio o cargos por concepto de transporte después del primer año de propiedad de compresores estacionarios. Los compresores estacionarios se identifican por no tener asidero o ruedas.
7. RESPONSABILIDADES DEL GARANTE BAJO ESTA GARANTÍA: Reparar o reemplazar, como lo decida el Garante, el compresor o componentes que estén defectuosos, se hayan dañado o hayan dejado de funcionar adecuadamente, durante el periodo de validez de la garantía.
8. RESPONSABILIDADES DEL COMPRADOR BAJO ESTA GARANTÍA:
 - A. Suministrar prueba fechada de compra y la historia de mantenimiento del producto.
 - B. Entregar o enviar los compresores de aire portátiles o componentes al Centro de Servicio autorizado Campbell Hausfeld más cercano. Los gastos de flete, de haberlos, deben ser pagados por el comprador.
 - C. Tener cuidado al utilizar el producto, tal como se indica(n) en el (los) manual(es) del propietario.
 - D. Reparaciones que requieran tiempo adicional al horario normal de trabajo, o cualquier asunto que exceda la tarifa normal de reembolso por mano de obra para reparaciones bajo la garantía del fabricante.
 - E. El tiempo requerido por cualquier control de seguridad, capacitación relacionada con seguridad, o asuntos similares necesarios para que el personal de servicio pueda tener acceso a las instalaciones.
 - F. La ubicación de la unidad debe tener espacio suficiente para que el personal de servicio pueda realizar reparaciones y debe ser fácilmente accesible.
9. CUÁNDO EFECTUARÁ EL GARANTE LA REPARACIÓN O REEMPLAZO CUBIERTO BAJO ESTA GARANTÍA: La reparación o reemplazo dependerá del flujo normal de trabajo del centro de servicio y de la disponibilidad de repuestos.

Esta garantía limitada es válida sólo en los EE.UU., Canadá y México y otorga derechos legales específicos. Usted también puede tener otros derechos que varían de un Estado a otro. o de un país a otro.