

Please read and save these instructions. Read carefully before attempting to assemble, install, operate or maintain the product described. Protect yourself and others by observing all safety information. Failure to comply with instructions could result in personal injury and/or property damage! Retain instructions for future reference.



# 3/8 Inch Butterfly Impact Wrench

## Table of Contents

- Description ..... 1
- Unpacking ..... 1
- Safety Guidelines ..... 1
- Important Safety Information ..... 2
- Tool Components and Specifications..... 2
- Operating Instructions ..... 4
  - Lubrication ..... 4
  - Recommended Hookup..... 5
  - Regulator Operation ..... 5
  - Speed Adjustment ..... 5
- User-Maintenance Instructions ..... 6
- Troubleshooting Charts ..... 6 and 7
- Warranty ..... 8



Locate model and date code on tool and record below:

Model No.: \_\_\_\_\_

Date Code: \_\_\_\_\_

Retain these numbers for future reference.

## Description

This is a rocking dog type impact wrench designed for DIY projects and general purpose applications such as maintenance, car repair, and lawn and garden equipment. Not intended for assembly line applications or heavy duty usage.

## Unpacking

After unpacking the unit, inspect carefully for any damage that may have occurred during transit. Make sure to tighten fittings, bolts, etc., before putting unit into service.

## Safety Guidelines

This manual contains information that is very important to know and understand. This information is provided for SAFETY and to PREVENT EQUIPMENT PROBLEMS. To help recognize this information, observe the following symbols.

**▲ DANGER** *Danger indicates an imminently hazardous situation which, if not avoided, WILL result in death or serious injury.*

**▲ WARNING** *Warning indicates a potentially hazardous situation which, if not avoided, COULD result in death or serious injury.*

**▲ CAUTION** *Caution indicates a potentially hazardous situation which, if not avoided, MAY result in minor or moderate injury.*

**NOTICE** *Notice indicates important information, that if not followed, may cause damage to equipment.*

**NOTE:** Information that requires special attention.

**REMINDER: Keep your dated proof of purchase for warranty purposes! Attach it to this manual or file it for safekeeping.**

## Important Safety Instructions

### INSTRUCTIONS PERTAINING TO A RISK OF FIRE, ELECTRIC SHOCK, OR INJURY TO PERSONS

This manual contains safety, operational and maintenance information. Contact your Campbell Hausfeld representative if you have any questions.

**▲ WARNING** *When using tools, basic precautions should always be followed, including the following:*

#### CALIFORNIA PROPOSITION 65

**▲ WARNING** *This product or its power cord may contain chemicals known to the State of California to cause cancer and birth defects or other reproductive harm. Wash hands after handling.*

#### ▲ WARNING

*You can create dust when you cut, sand, drill or grind materials such as wood, paint, metal, concrete, cement, or other masonry. This dust often contains chemicals known to cause cancer, birth defects, or other reproductive harm. Wear protective gear.*



#### GENERAL

- a. To reduce the risks of electric shock, fire, and injury to persons, read all the instructions before using the tool.



- b. Be thoroughly familiar with the controls and the proper use of the equipment. Follow all instructions. Contact your Campbell Hausfeld representative if you have any questions.
- c. Only persons well acquainted with these rules of safe operation should be allowed to use the unit.

**▲ DANGER** *Read and understand tool labels and manual. Failure to follow warnings, dangers, and cautions could result in DEATH or SERIOUS INJURY.*

#### WORK AREA

- a. Keep the work area clean and well lighted. Cluttered benches and dark areas increase the risks of electric shock, fire, and injury to persons.
- b. Do not operate the tool in explosive atmospheres, such as in the presence of flammable liquids, gases, or dust. The tool is able to create sparks resulting in the ignition of the dust or fumes.
- c. Keep bystanders, children, and visitors away while operating the tool. Distractions are able to result in the loss of control of the tool.

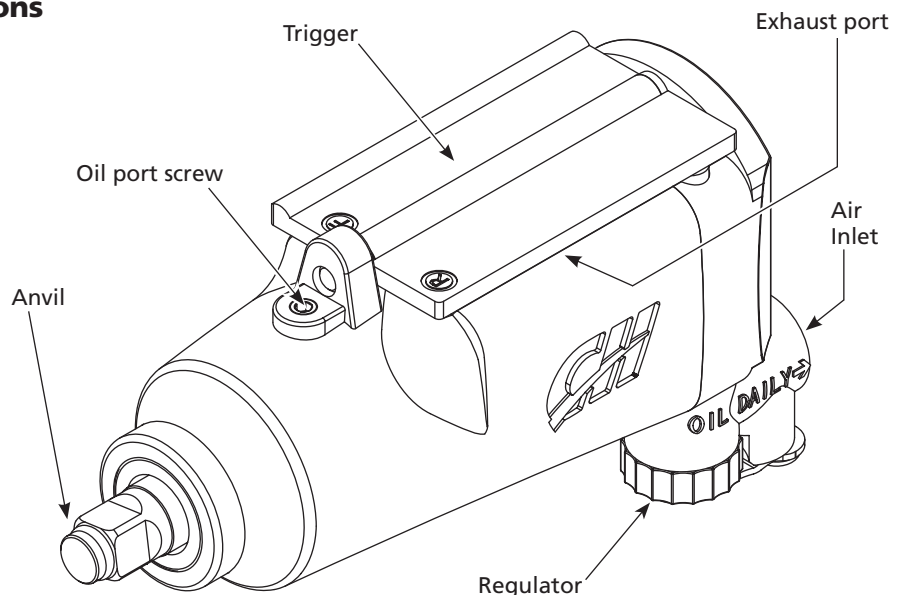


#### PERSONAL SAFETY

- a. Stay alert. Watch what you are doing and use common sense when operating the tool. Do not use the tool while tired or under the influence of drugs, alcohol, or medication. A moment of inattention while operating the tool increases the risk of injury to persons.
- b. Dress properly. Do not wear loose clothing or jewelry. Contain long hair. Keep hair, clothing, and gloves away from moving parts. Loose clothes, jewelry, or long hair increases the risk of injury to persons as a result of being caught in moving parts.
- c. Avoid unintentional starting. Be sure the switch is off before connecting to the air supply. Do not carry the tool with your finger on the switch or connect the tool to the air supply with the switch on.
- d. Remove adjusting keys or wrenches before turning on the tool. A key or wrench attached to a rotating part of the tool may result in personal injury.
- e. Do not overreach. Keep proper footing and balance at all times. Proper footing and balance enables better control of the tool in unexpected situations.

## Tool Components and Specifications

Avg SCFM & psi	2.4 @ 90 psig (15% usage)
Continuous SCFM	16.33 @ 90 psig (100% usage)
Max. RPM	10,000
Max. Torque	.75 ft.lb
Working Torque	5-50 ft.lb
Impact Mechanism	
Type	Rocking Dog
Bolt Capacity	3/8 inch
Air Inlet	1/4 inch NPT (Female)
Drive	.3/8 inch sq.
Weight	2 lbs.
Vibration at handle	4.5m/s <sup>2</sup>
Sound level dBA	
Pressure	92
Power	104



## Important Safety Instructions (Continued)

- f. Use safety equipment. A dust mask, non-skid safety shoes and a hard hat must be used for the applicable conditions.
- g. Always wear eye protection.
- h. Always wear hearing protection when using the tool. Prolonged exposure to high intensity noise is able to cause hearing loss.
- i. Do not attach the hose or tool to your body. Attach the hose to the structure to reduce the risk of loss of balance if the hose shifts.



**▲ DANGER** Always remain in a firmly balanced position when using or handling the tool.

**▲ CAUTION** Avoid long extended periods of work with the tool. Stop using the tool if you feel pain in hands or arms.

- j. Hold tool by insulated gripping surface when performing an operation where the tool may contact hidden wiring. Contacting a “live” wire will make exposed metal parts of the tool “live” and shock the operator.
- k. Avoid body contact with grounded surfaces such as pipes, radiators, ranges, and refrigerators. There is an increased risk of electric shock if your body is grounded.
- l. Explore the workpiece to avoid contact with hidden wiring. Thoroughly investigate the workpiece for possible hidden wiring before performing work. Contact with live wiring will shock the operator.
- m. Never point an air tool at oneself or any other person. Serious injury could occur.
- n. Do not put hands near or under moving parts.

## TOOL USE AND CARE

- a. Use clamps or another practical way to secure and support the workpiece to a stable platform. Holding the work by hand or against the body is unstable and is able to lead to loss of control.
- b. Do not force the tool. Use the correct tool for the application. The correct tool will do the job better and safer at the rate for which the tool is designed.
- c. Do not use the tool if the switch does not turn the tool on or off. Any tool that cannot be controlled with the switch is dangerous and must be repaired.
- d. **▲ WARNING** Disconnect the air source before making adjustments, doing tool maintenance, clearing jams, leaving work area, loading, or unloading the tool. Such precautionary measures reduce the risk of injury to persons.
- e. Store the tool when it is idle out of reach of children and other untrained persons. A tool is dangerous in the hands of untrained users.
- f. Maintain the tool with care. Keep a cutting tool sharp and clean. A properly maintained tool, with sharp cutting edges reduces the risk of binding and is easier to control.
- g. Check for misalignment or binding of moving parts, breakage of parts, and any other condition that affects the tool’s operation. If damaged, have the tool serviced before using. Many accidents are caused by poorly maintained tools. There is a risk of bursting if the tool is damaged.
- h. Use only accessories that are identified by the manufacturer for the specific tool model. Use of an accessory not intended for use with the specific tool model increases the risk of injury to persons.
- i. Selecting an appropriate tool actuation system, taking into consideration the work application for which the tool is used.

**▲ DANGER** Never use

gasoline or other flammable liquids to clean the tool. Never use the tool in the presence of flammable liquids or gases. Vapors could ignite by a spark and cause an explosion which will result in death or serious personal injury.



**▲ DANGER** Do not exceed maximum operating pressure of the air tool (90 psi). The air tool could explode and result in death or serious personal injury.

**▲ WARNING** Do not use hand tool sockets. Use impact quality sockets only. Hand tool sockets are “glass-hard” and will shatter and can cause serious personal injury if used with air tools.

- j. Never trigger the tool when not applied to a work object. Attachments must be securely attached. Loose attachments can cause serious injury.

**▲ WARNING** Release all pressure from the system before attempting to install, service, relocate or perform any maintenance.

- k. Keep all nuts, bolts and screws tight and ensure equipment is in safe working condition.

**▲ WARNING** Always disconnect the tool from the power source when unattended, performing any maintenance or repair, clearing a jam, or moving the tool to a new location.

**▲ WARNING** Always fit tool with a fitting or hose coupling on or near the tool in such a manner that all compressed air in the tool is discharged at the time the fitting or hose coupling is disconnected. Do not use a check valve or any other fitting which allows air to remain in the tool. Death or serious personal injury could occur.

**▲ WARNING** Never carry the tool by the air hose or pull the hose to move the tool or a compressor. Keep hoses away from heat, oil and sharp edges. Replace any hose that is damaged, weak or worn. Personal injury or tool damage could occur.

## Important Safety Instructions (Continued)

### ⚠ WARNING

Do not operate or allow anyone else to operate the tool if any warnings or warning labels are not legible. Warnings or warning labels are located on the tool magazine and body.

### ⚠ WARNING



Do not drop or throw the tool. Dropping or throwing the tool can result in damage that will make the tool unusable or unsafe. If the tool has been dropped or thrown, examine the tool closely for bent, cracked or broken parts and air leaks. STOP and repair before using or serious injury could occur.

### ⚠ WARNING

Do not drop or throw the tool.

Clean and check all air supply hoses and fittings before connecting the tool to an air supply. Replace any damaged or worn hoses or fittings. Tool performance or durability may be reduced.

### NOTICE

Clean and check all air supply hoses and fittings before connecting the tool to an air supply. Replace any damaged or worn hoses or fittings. Tool performance or durability may be reduced.

### ⚠ WARNING

Do not use hand-tool sockets. Use impact quality sockets only. Hand tool sockets are "glass-hard" and will shatter and can cause serious personal injury if used with air tools.

Do not use hand-tool sockets. Use impact quality sockets only.

### ⚠ WARNING

Release all pressure from the system before attempting to install, service, relocate or perform any maintenance.

Release all pressure from the system before attempting to install, service, relocate or perform any maintenance.



### ⚠ WARNING

Do not misuse this product. Excessive exposure to vibration, work in awkward positions, and repetitive work motions can cause injury to hands and arms. Stop using any tool if discomfort, numbness, tingling, or pain occur, and consult a physician.

Do not misuse this product.

## SERVICE

- Tool service must be performed only by qualified repair personnel.
- When servicing a tool, use only identical replacement parts. Use only authorized parts.
- Use only the lubricants supplied with the tool or specified by the manufacturer.

### ⚠ CAUTION

Do not make any modifications to the tool without first obtaining written approval from Campbell Hausfeld. Do not use the tool if any shields or guards are removed or altered. Do not use the tool as a hammer. Personal injury or tool damage may occur.

Do not make any modifications to the tool without first obtaining written approval from Campbell Hausfeld.

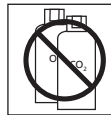
## AIR SOURCE

- Never connect to an air source that is capable of exceeding 200 psi. Over pressurizing the tool is able to result in bursting, abnormal operation, breakage of the tool or serious injury to persons. Use only clean, dry, regulated compressed air at the rated pressure or within the rated pressure range as marked on the tool. Always verify prior to using the tool that the air source has been adjusted to the rated air pressure or within the rated air-pressure range.
- Never use oxygen, carbon dioxide, combustible gases or any bottled gas as an air source for the tool. Such gases are capable of explosion and serious injury to persons.

### ⚠ DANGER

Do not use any type of reactive gases, including, but not limited to, oxygen and combustible gases, as a power source. Use filtered, lubricated, regulated compressed air only. Use of a reactive gas instead of compressed air may cause the tool to explode which will cause death or serious personal injury.

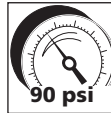
Do not use any type of reactive gases, including, but not limited to, oxygen and combustible gases, as a power source.



### ⚠ DANGER

Use only a pressure-regulated compressed air source to limit the air pressure supplied to the tool. The regulated pressure must not exceed 90 psi. If the regulator fails, the pressure delivered to the tool must not exceed 200 psi. The tool could explode which will cause death or serious personal injury.

Use only a pressure-regulated compressed air source to limit the air pressure supplied to the tool.



- Do not exceed any pressure rating of any component in the system.

**SAVE THESE INSTRUCTIONS  
DO NOT DISCARD**

## Operating Instructions

### LUBRICATION

Proper lubrication is the owner's responsibility. Failure to lubricate the air tool properly will dramatically shorten the life of the tool and will void the warranty.

### NOTICE

This impact wrench requires lubrication before the initial use and before and after each additional use.

This impact wrench requires lubrication before the initial use and before and after each additional use.

Impact wrenches require lubrication throughout the life of the tool and must be lubricated in two separate areas: the air motor and the impact mechanism. Air tool oil is recommended because this oil cleans, lubricates and inhibits rust all in one step.

### AIR MOTOR LUBRICATION

The motor must be lubricated daily. An air motor cannot be oiled too often.

### ⚠ CAUTION

Disconnect the impact wrench from the air supply before lubricating.

Disconnect the impact wrench from the air supply before lubricating.

- Disconnect the impact wrench from the air supply.
- Turn the impact wrench upside down.
- While pulling the trigger, squeeze approximately a 1/4 oz. of airtool oil in the air inlet. Then, push the forward and reverse button in both directions.

### ⚠ CAUTION

After an air tool has been lubricated, oil will discharge through the exhaust port during the first few seconds of operation. Thus, THE EXHAUST PORT MUST BE COVERED WITH A TOWEL before applying air pressure. FAILURE TO COVER THE EXHAUST PORT CAN RESULT IN SERIOUS INJURY.

After an air tool has been lubricated, oil will discharge through the exhaust port during the first few seconds of operation.

- Connect the impact wrench to the air supply and cover the exhaust port with a towel. Run the impact wrench in both the forward and reverse directions for 20 to 30 seconds. Oil will discharge from the exhaust port when air pressure is applied.



## Operating Instructions (Continued)

### IMPACT MECHANISM LUBRICATION

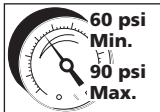
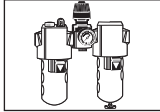
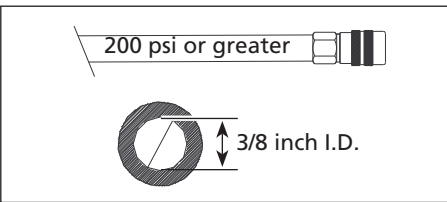
Lubricate the impact mechanism monthly.

**CAUTION** *Disconnect the impact wrench from the air supply before lubricating.*

1. Disconnect the impact wrench from the air supply.
2. Remove the slotted screw or allen head screw from the oil port hole.
3. Squeeze approximately 1 oz. of air tool oil in the oil port hole. Replace the screw.
4. Reconnect the air supply to the impact wrench and run for 20 to 30 seconds. Lubricate the entire impact mechanism by rotating the tool upside down and sideways while running the tool.
5. Remove the screw and hold the oil port hole over a suitable container to allow excess oil to drain. Sometimes triggering the tool when dumping the oils helps to force out the excess oil.
6. If the oil is dirty, repeat the procedure above until the oil comes out clear. Install the screw and tighten. The residual oil remaining in the impact mechanism chamber is all that is needed for proper lubrication.

### RECOMMENDED HOOKUP

The illustration below shows the recommended hookup for the tool.

1. The air compressor must be able to maintain a minimum of 60 psi when the tool is being used. An inadequate air supply can cause a loss of power and inconsistent driving. 
2. An oiler can be used to provide oil circulation through the tool. A filter can be used to remove liquid and solid impurities which can rust or "gum up" internal parts of the tool. 
3. Always use air supply hoses with a minimum working pressure rating equal to or greater than the pressure from the power source if a regulator fails, or 200 psi, whichever is greater. Use 1/4 inch air hose for runs up to 50 feet. Use 3/8 inch air hoses for 50 foot run or longer. 

4. Use a pressure regulator on the compressor, with an operating pressure of 0 psi - 125 psi. A pressure regulator is required to control the operating pressure of the tool between 60 psi and 90 psi.

### REGULATOR OPERATION

This impact wrench is equipped with several power (speed) settings. Use the switch on the rear of the tool to select

the proper setting before operating tool. The tool has 8 power (speed) settings on the regulator, and forward and reverse settings on the trigger. Do not change settings while tool is running.

### SPEED ADJUSTMENT

An impact wrench should never be used to set torque. Use a torque wrench to set the torque.

To remove lugs or bolts, set the regulator to the maximum setting. When installing, always use a torque wrench to attain the proper torque of the lugs or bolts.

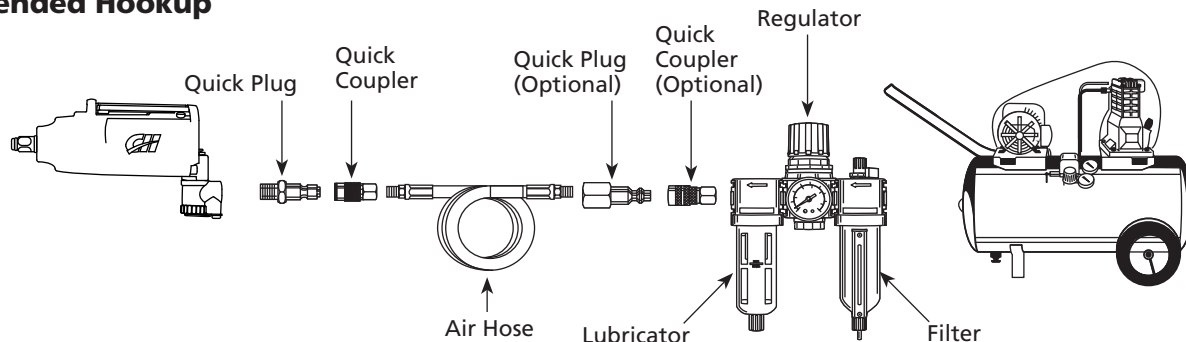
**WARNING** *When reassembling be careful not to overtighten. Bolts may fail or cause a hazardous condition. Be sure to set the regulator to the minimum setting then use a torque wrench to set torque.*

**NOTE:** It is not recommended to install a quick coupler between the tool and the whip hose.

Using fittings or air hoses which are too small can create a pressure drop and reduce the power of the tool. For 3/8, 1/2 and 3/4 inch impact wrenches use 3/8 inch (I.D.) fittings with 1/4 inch NPT threads. Most compressors are shipped with a short, 1/4 inch I.D. hose. For proper performance and more convenience, use a 3/8 inch I.D. hose. Hoses longer than 50 feet should have a 1/2 inch I.D.

**WARNING** *Never carry a tool by the hose or pull the hose to move the tool or a compressor. Keep hoses away from heat, oil and sharp edges. Replace any hose that is damaged, weak or worn.*

### Recommended Hookup



**User-Maintenance Instructions**

**TECHNICAL SERVICE**

Please call our Tool Hotline at 1-800-543-6400 with any questions regarding the operation or repair of this tool or for additional copies of this manual.

**REPLACEMENT PARTS INFORMATION**

For information regarding where to order replacement parts, call toll free 1-800-543-6400. Please provide the following information:

- Model number
- Stamped-in code
- Part number and description

**TOOL REPAIR**

Only qualified personnel should repair the tool and they should use genuine Campbell Hausfeld replacement parts and accessories, or parts and accessories which perform equivalently.

**ASSEMBLY PROCEDURE FOR SEALS**

When repairing a tool, the internal parts must be cleaned and lubricated. Parker O-lube or equivalent must be used on all o-rings. Each o-ring must be coated with O-lube before assembling. A small amount of oil must be used on all moving surfaces and pivots. After reassembling, a few drops of 30W non-detergent oil or equivalent, must be added through the air line before testing.

**STORAGE**

The impact wrench must be lubricated before storing. Follow the air motor lubrication instructions with an exception to step 4. Only run the impact wrench for 2 to 3 seconds instead of 20 to 30 seconds because more oil needs to remain in the impact wrench when storing. The tool should be stored in a cool dry place.

**Troubleshooting Chart**

**⚠ WARNING** *Stop using tool immediately if any of the following problems occur. Serious personal injury could occur. Any repairs or replacements must be done by a Qualified Service Person or Authorized Service Center.*

Symptom	Possible Cause(s)	Corrective Action
Tool runs slowly or will not operate	1. Grit or gum in tool	1. Flush the tool with air tool oil, gum solvent, or an equal mixture of SAE 10 motor oil and kerosene. If air tool oil is not used, lubricate the tool after cleaning
	2. No oil in tool	2. Lubricate the tool according to the lubrication instructions in this manual
	3. Low air pressure	3. a. Adjust the regulator on the tool to the maximum setting b. Adjust the compressor regulator to tool maximum while the tool is running free
	4. Air hose leaks	4. Tighten and seal hose fittings if leaks are found
	5. Pressure drops	5. a. Be sure the hose is the proper size. Long hoses or tools using large volumes of air may require a hose with an I.D. of 1/2 inch or larger depending on the total length of the hose b. Do not use a multiple number of hoses connected together with quick connect fittings. This causes additional pressure drops and reduces the tool power. Directly connect the hoses together
	6. Worn ball bearing in motor	6. Remove and inspect bearing for rust, dirt and grit or worn race. Replace or clean and regrease bearing with bearing grease



## Limited Warranty

1. DURATION: From the date of purchase by the original purchaser as follows: One (1) Year.
2. WHO GIVES THIS WARRANTY (WARRANTOR): Campbell Hausfeld / Scott Fetzer Company, 100 Production Drive, Harrison, Ohio, 45030, Telephone: (800) 543-6400
3. WHO RECEIVES THIS WARRANTY (PURCHASER): The original purchaser (other than for purposes of resale) of the Campbell Hausfeld product.
4. WHAT PRODUCTS ARE COVERED BY THIS WARRANTY: This Campbell Hausfeld air tool.
5. WHAT IS COVERED UNDER THIS WARRANTY: Substantial defects in material and workmanship which occur within the duration of the warranty period with the exceptions below.
6. WHAT IS NOT COVERED UNDER THIS WARRANTY:
  - A. Implied warranties, including those of merchantability and FITNESS FOR A PARTICULAR PURPOSE ARE LIMITED FROM THE DATE OF ORIGINAL PURCHASE AS STATED IN THE DURATION. If this product is used for commercial, industrial or rental purposes, the warranty will apply for ninety (90) days from the date of purchase. Some States do not allow limitation on how long an implied warranty lasts, so the above limitations may not apply to you.
  - B. ANY INCIDENTAL, INDIRECT, OR CONSEQUENTIAL LOSS, DAMAGE, OR EXPENSE THAT MAY RESULT FROM ANY DEFECT, FAILURE, OR MALFUNCTION OF THE CAMPBELL HAUSFELD PRODUCT. Some States do not allow the exclusion or limitation of incidental or consequential damages, so the above limitation or exclusion may not apply to you.
  - C. Any failure that results from an accident, purchaser's abuse, neglect or failure to operate products in accordance with instructions provided in the owner's manual(s) supplied with product. Accident, purchaser's abuse, neglect or failure to operate products in accordance with instructions shall also include the removal or alteration of any safety devices. If such safety devices are removed or altered, this warranty is void.
  - D. Normal adjustments which are explained in the owner's manual(s) provided with the product.
  - E. Items or service that are normally required to maintain the product, e.g. o-rings, springs, gaskets, packings or seals, lubricants, motor vanes, impact mechanism, or any other expendable part not specifically listed. These items will only be covered for ninety (90) days from date of original purchase. Underlined items are warranted for defects in material and workmanship only.
7. RESPONSIBILITIES OF WARRANTOR UNDER THIS WARRANTY: Repair or replace, at Warrantor's option, products or components which are defective, have malfunctioned and/or failed to conform within the duration of the specific warranty period.
8. RESPONSIBILITIES OF PURCHASER UNDER THIS WARRANTY:
  - A. Provide dated proof of purchase and maintenance records.
  - B. Call Campbell Hausfeld (800) 543-6400 to obtain your warranty service options. Freight costs must be borne by the purchaser.
  - C. Use reasonable care in the operation and maintenance of the products as described in the owner's manual(s).
9. WHEN WARRANTOR WILL PERFORM REPAIR OR REPLACEMENT UNDER THIS WARRANTY: Repair or replacement will be scheduled and serviced according to the normal work flow at the servicing location, and depending on the availability of replacement parts.

This Limited Warranty applies in the United States, Canada and Mexico only and gives you specific legal rights. You may also have other rights which vary from state to state or country to country.



**Veillez lire et conserver ces instructions. Lire attentivement avant de commencer à assembler, installer, faire fonctionner ou entretenir l'appareil décrit. Protégez-vous et les autres en observant toutes les informations sur la sécurité. Négliger d'appliquer ces instructions peut résulter en des blessures corporelles et/ou en des dommages matériels ! Conserver ces instructions pour références ultérieures.**



# Clé à Chocs 9,5 mm (3/8 po) Type Papillon

## Table des matières

Description .....	Fr 9
Déballage .....	Fr 9
Directives de sécurité .....	Fr 9
Importantes instructions de sécurité .....	Fr 10
Pièces détachées et fisch technique mécanisme de la l'outil .....	Fr 10
Mode d'emploi .....	Fr 12
Graissage .....	Fr 12
Branchement recommandé. . . . .	Fr 13
Opération du régulateur. . . . .	Fr 13
Réglage de la vitesse .....	Fr 13
Instructions de maintenance de l'utilisateur .....	Fr 14
Guide de dépannage . . .	Fr 14 et Fr 15
Garantie limitée .....	Fr 16



Trouver le numéro de modèle et le code date sur le chargeur de l'outil et inscrire plus bas :

N° du Model : \_\_\_\_\_

Code de date : \_\_\_\_\_

Conserver ces numéros comme référence.

## Description

C'est une clé à chocs de type marteau à bascule conçu pour le bricolage et les applications généraux tels que l'entretien, la réparation d'automobile, ainsi que l'équipement de pelouse et jardin. Ce modèle n'est pas conçu pour les applications de chaînes d'assemblage ni pour l'usage à grande puissance.

## Déballage

Dès que l'appareil est déballé, l'inspecter attentivement pour tout signe de dommages en transit. S'assurer de resserrer tous les raccords, boulons, etc. avant de le mettre en service.

## Directives de Sécurité

Ce manuel contient de l'information très importante qui est fournie pour la SÉCURITÉ et pour ÉVITER LES PROBLÈMES D'ÉQUIPEMENT. Rechercher les symboles suivants pour cette information.

**▲ DANGER** *Danger indique une situation hasardeuse imminente qui RÉSULTERA en perte de vie ou blessures graves.*

**▲ AVERTISSEMENT** *Avertissement indique une situation hasardeuse potentielle qui PEUT résulter en perte de vie ou blessures graves.*

**▲ ATTENTION** *Attention indique une situation hasardeuse potentielle qui PEUT résulter en blessures.*

**AVIS** *Avis indique de l'information importante pour éviter le dommage de l'équipement.*

**REMARQUE** : L'information qui exige une attention spéciale.

**MÉMENTO:** Gardez votre preuve datée d'achat à fin de la garantie!  
Joignez-la à ce manuel ou classez-la dans un dossier pour plus de sécurité.

## Importantes instructions de sécurité

### INSTRUCTIONS PORTANT SUR UN RISQUE D'INCENDIE, UN CHOC ÉLECTRIQUE OU DES BLESSURES AUX PERSONNES

Ce manuel contient des informations concernant la sécurité, le fonctionnement et l'entretien. Contacter votre représentant Campbell Hausfeld si vous avez des questions.

**⚠ AVERTISSEMENT** *En utilisant les outils, il faut suivre les précautions de base, y compris ce qui suit :*

#### PROPOSITION 65 DE CALIFORNIE

**⚠ AVERTISSEMENT** *Ce produit ou son cordon peuvent contenir des produits chimiques qui, de l'avis de l'État de Californie, causent le cancer et des anomalies congénitales ou autres problèmes de reproduction. Lavez-vous les mains après la manipulation.*

**⚠ AVERTISSEMENT** *Vous pouvez créer de la poussière en coupant, ponçant, perçant ou meulant les matériaux tels que le bois, la peinture, le métal, le béton, le ciment ou autre maçonnerie. Cette poussière contient souvent des produits chimiques reconnus pour causer le cancer, les déformations congénitales ou autres problèmes de la reproduction. Porter de l'équipement de protection.*



### GÉNÉRALITÉ :

- Pour réduire les risques de chocs électriques, d'incendie ou de blessures aux personnes, lire toutes les instructions avant d'utiliser l'outil.
- Se familiariser avec ce produit, ses commandes et son utilisation. Suivez toutes les instructions. Contacter votre représentant Campbell Hausfeld si vous avez des questions.
- Seules les personnes familières avec ces règles d'utilisation sans danger devraient utiliser cette unité.



**⚠ DANGER** *Lire et comprendre les étiquettes et le manuel sur les outils. Ne pas suivre les avertissements, les dangers et les mises en garde pourrait causer la MORT ou de GRAVES BLESSURES.*

### AIRE DE TRAVAIL

- Garder l'aire de travail propre et bien éclairée. Les établis encombrés et les coins sombres augmentent les risques de chocs électriques, d'incendie et de blessures aux personnes.
- Ne pas faire fonctionner l'outil dans une atmosphère explosive comme en présence de liquides, gaz ou poussières inflammables. L'outil peut produire des étincelles menant à une inflammation de poussières ou de fumées.



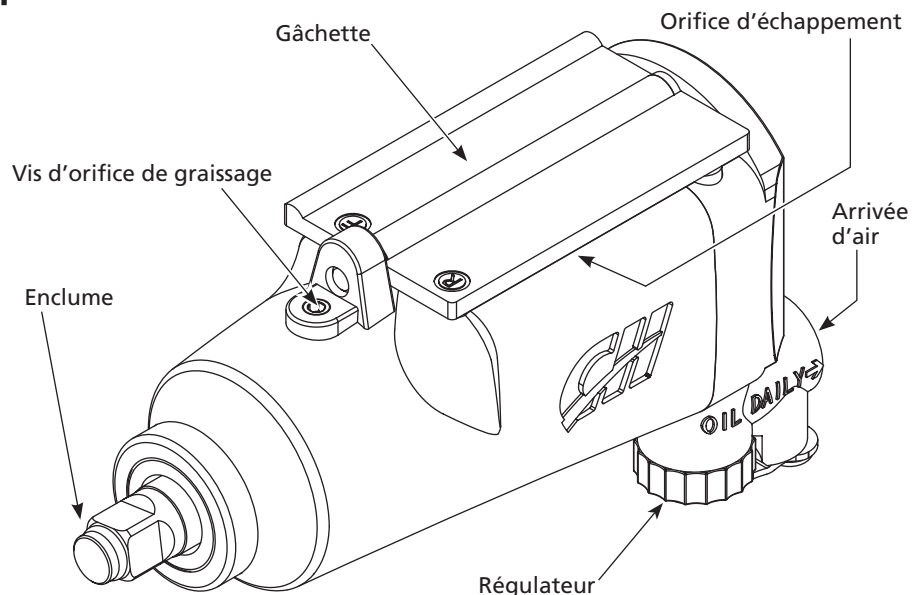
- Garder les spectateurs, les enfants et les visiteurs loin en utilisant l'outil. Les distractions peuvent faire perdre le contrôle de l'outil.

### SÉCURITÉ PERSONNELLE

- Rester vigilant. Il faut regarder ce que vous faites et utiliser son sens commun en faisant fonctionner un outil. Ne pas faire fonctionner l'appareil si vous êtes fatigué ou sous l'influence de drogues, d'alcool ou de médicaments. Un moment d'inattention en faisant fonctionner l'outil augmente le risque de blessures.
- Il faut s'habiller correctement. Ne pas porter de bijoux ou de vêtements amples. Attacher les cheveux longs. Garder les cheveux, les vêtements et les gants loin des pièces mobiles. Les vêtements amples, les bijoux ou les cheveux longs augmentent le risque de blessures si quelque chose se prend dans les pièces mobiles.
- Éviter tout démarrage accidentel. S'assurer que l'interrupteur est en position d'arrêt (off) avant de brancher à l'alimentation d'air. Ne pas transporter l'outil avec le doigt sur l'interrupteur ni brancher l'outil à l'alimentation d'air avec l'interrupteur en marche.
- Ne pas trop se pencher. Garder bon pied et bon équilibre en tout temps. Ceci permet d'avoir un meilleur contrôle de l'outil dans les situations imprévues.

## Pièces détachées et fiche technique mécanisme de la l'outil

m³/min moyen	0,07 @ 621 kPa
et kPa	(usage 15%)
m³/min continu	0,46 @ 621 kPa
	(usage 100%)
tr/min Max.	10 000
Couple Max.	10,4 kg m
Couple de service	0,69 kg m - 6,9 kg m
Type de mécanisme	
de chocs	Marteau à bascule
Capacité de boulon	3/8 po
Arrivée d'air	1/4 po NPT (Femelle)
Entraînement	3/8 po carré
Poids	0,91 kg
Vibration au manche	4.5m/s²
Niveau sonore dBA	
Pression	92
Puissance	104



## Importantes instructions de sécurité (Suite)

- d. Retirer les clés à ouverture fixe ou les clés d'ajustement avant de mettre l'outil en marche. Une clé ou une clé à ouverture fixe installée sur une pièce mobile de l'outil pourrait mener à une blessure.

- f. Utiliser l'équipement de sécurité. Il faut utiliser un masque antipoussières, des souliers de sécurité antidérapants et un casque de protection appropriés pour les conditions en cours.

- g. Toujours porter une protection pour les yeux.



- h. Toujours porter une protection auditive en utilisant l'outil. Toute exposition prolongée à des bruits de forte intensité pourrait provoquer une perte auditive.



- i. Ne pas attacher le boyau d'air ou l'outil à votre corps. Fixer le boyau à la structure pour réduire le risque de perte d'équilibre si le boyau se déplace.

**⚠ DANGER** *Toujours bien s'équilibrer pendant la manipulation ou l'utilisation de l'outil.*

**⚠ ATTENTION** *Éviter d'utiliser l'outil pour une période de temps prolongée. Cesser d'utiliser l'outil si l'on ressent des douleurs dans les mains ou dans les bras.*

- j. Tenir l'outil par une surface de prise isolée en effectuant le travail lorsque l'outil pourrait entrer en contact avec un câblage caché. Un contact avec un fil « sous tension » rendra les pièces de métal exposées de l'outil « sous tension » et produira un choc pour l'opérateur.
- k. Éviter tout contact avec les surfaces mises à la terre telles que les tuyaux, les radiateurs, les cuisinières et les réfrigérateurs. Il y a un risque accru de choc électrique si votre corps est mis à la terre.
- l. Vérifiez la pièce de travail pour éviter le contact avec un câblage caché. Vérifiez minutieusement la pièce de travail pour tout câblage caché possible avant la travailler.

Le contact avec un câblage sous tension donnera un choc électrique à l'opérateur.

- m. Ne jamais diriger un outil pneumatique vers soi ni vers une autre personne afin d'éviter tout risque de blessure grave.

- n. Ne pas mettre les mains près de ni sous les pièces mobiles.

### UTILISATION ET ENTRETIEN DE L'OUTIL

- a. Utiliser des pinces ou tout autre moyen pratique pour fixer et supporter le travail à une plateforme stable. Tenir le travail de la main ou contre le corps est instable et pourrait mener à une perte de contrôle.

- b. Ne pas forcer l'outil. Utiliser le bon outil pour l'application. Le bon outil effectuera le meilleur travail sécuritaire au rythme pour lequel il a été conçu.

- c. Ne pas utiliser l'outil si l'interrupteur ne met pas l'outil en marche ou ne l'arrête pas. Tout outil qui ne peut pas être contrôlé par l'interrupteur est dangereux et doit être réparé.

- d. **⚠ AVERTISSEMENT** *Débrancher l'outil de la source d'air avant tout ajustement, entretien de l'outil, déblocages, avant de quitter l'aire de travail, de charger ou de décharger l'outil.* De telles mesures de précautions réduisent le risque de blessures.

- e. Ranger l'outil lorsqu'il n'est pas utilisé hors de portée des enfants et autres personnes non formées. Un outil est dangereux dans les mains d'utilisateurs non formés.

- f. Il faut entretenir l'outil avec soin. Gardez un outil de coupe tranchant et propre. Un outil bien entretenu aux bords de coupe tranchants est moins susceptible de bloquer et est plus facile à contrôler.

- g. Vérifier pour tout signe de mauvais alignement ou grippage de pièces mobiles, bris de pièces et toute autre condition qui pourrait affecter le fonctionnement de l'outil. Si l'outil est endommagé, le réparer avant de l'utiliser. De nombreux accidents sont causés par des outils mal entretenus. Il y a un risque d'éclatement si l'outil est endommagé.

- h. Utiliser seulement des accessoires identifiés par le fabricant pour le modèle précis d'outil. Utiliser un accessoire non prévu pour une utilisation avec le modèle précis d'outil augmente le risque de blessures pour les personnes.

- i. Choisir un système d'activation de l'outil approprié en tenant compte de l'application de travail prévue pour l'outil.

**⚠ DANGER** *Ne jamais utiliser de l'essence ni les fluides inflammables pour le nettoyage de l'outil. Ne jamais utiliser l'outil près d'un liquide ou gaz inflammable. Une étincelle peut allumer les vapeurs et causer une explosion qui peut résulter en perte de vie ou blessures graves personnelles.*



**⚠ DANGER** *Ne pas dépasser la pression maximum de service de l'outil pneumatique (621 kPa). L'outil pneumatique risque d'exploser et d'avoir pour résultat des blessures graves, ou mortelles.*

**⚠ AVERTISSEMENT** *Ne pas utiliser de douilles pour outils à main. N'utiliser que des douilles pour clés à chocs. Celles pour outils à main sont "dures comme le verre" et voleront en éclats, risquant ainsi de provoquer des blessures graves si elles sont utilisées avec des outils pneumatiques.*

- j. Ne jamais appuyer sur la gâchette de l'outil tant qu'il n'y ait pas contact avec une pièce. Les accessoires doivent être bien fixés pour éviter tout risque de blessure grave.

**⚠ AVERTISSEMENT** *Dissiper toute la pression du système avant d'essayer d'installer, réparer, déplacer le produit ou de procéder à son entretien.*

- k. Vérifier le serrage des écrous, boulons et vis et s'assurer que l'équipement soit en bon état de marche.

**⚠ AVERTISSEMENT** *Toujours débrancher l'outil de la source de courant en votre absence, en effectuant des réparations ou son entretien, en débloquant l'appareil ou en le déplaçant ailleurs.*

## Importantes instructions de sécurité (Suite)

**⚠ AVERTISSEMENT** *Toujours installer un raccord ou un tuyau de raccord sur ou près de l'outil afin que tout air comprimé de l'outil soit déchargé au moment où l'on débranche le raccord ou le boyau. Ne pas utiliser un clapet ni autre raccord qui permet que l'air reste dans l'outil. Cela peut entraîner des blessures graves ou mortelles.*

**⚠ AVERTISSEMENT** *Ne jamais transporter l'outil par le tuyau à air. Ne jamais tirer sur le tuyau pour déplacer l'outil ou le compresseur. Garder le tuyau à air à l'écart de la chaleur, l'huile et les objets pointus. Remplacer les tuyaux endommagés, faibles ou usés. Sinon, il y a risque de blessures personnelles ou de dommage à l'outil.*

**⚠ AVERTISSEMENT** *Ne pas utiliser l'outil ni permettre qu'une autre personne l'utilise si les avertissements ou les étiquettes d'avertissement situés sur le chargeur et corps de l'outil ne sont pas lisibles.*



**⚠ AVERTISSEMENT** *Ne pas échapper ni jeter l'outil car ceci peut causer du dommage le rendant dangereux à utiliser. Si l'outil s'est fait échappé ou jeté, l'examiner soigneusement afin de déterminer s'il est courbé, fendu ou s'il y a des fuites ou pièces détachées endommagées. ARRÊTER et réparer avant d'utiliser, sinon, il y a risque de blessures graves.*

**AVIS** *Nettoyer et vérifier tous les tuyaux et raccords avant de brancher l'outil au compresseur d'air. Remplacer les tuyaux ou les raccords endommagés ou usés, sinon, le rendement et la durabilité de l'outil seront affectés.*

**⚠ AVERTISSEMENT** *Ne pas utiliser de douilles pour outils à main. N'utiliser que des douilles pour clés à chocs. Celles pour outils à main sont "dures comme le verre" et voleront en éclats, risquant ainsi de provoquer des blessures graves si elles sont utilisées avec des outils pneumatiques.*

**⚠ AVERTISSEMENT** *Dissiper toute la pression du système avant d'essayer d'installer, réparer, déplacer le produit ou de procéder à son entretien.*



**⚠ AVERTISSEMENT** *Ne pas abuser ce produit. L'exposition excessif à la vibration, au travail dans les positions d'accès difficile et le mouvement répétitif peuvent causer des blessures aux mains et aux bras. Arrêter d'utiliser un outil et consulter un médecin si vous avez le malaise, l'engourdissement, le picotement ou la douleur.*

### SERVICE

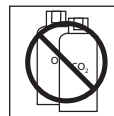
- Tout le travail d'entretien et de réparation doit être effectué seulement par un personnel de réparation qualifié.
- En réparant ou faisant l'entretien d'un outil, utiliser seulement des pièces de rechange identiques. Utiliser seulement des pièces autorisées.
- Utiliser seulement les lubrifiants fournis avec l'outil ou spécifiés par le fabricant.

**⚠ ATTENTION** *Ne pas apporter de modifications à l'outil sans d'abord obtenir une approbation écrite de Campbell Hausfeld. N'utilisez pas d'outil si les écrans ou protecteurs ont été enlevés ou altérés. Ne pas utiliser l'outil comme marteau. Cela peut entraîner des blessures ou endommager l'appareil.*

### SOURCE D'AIR

- Ne jamais brancher à une source d'air pouvant dépasser 1379 kPa (200 lb/po<sup>2</sup>). Une surpression de l'outil peut mener à un éclatement, une opération anormale, un bris de l'outil ou de graves blessures. Utiliser seulement de l'air comprimé propre, sec, contrôlé à une pression nominale ou dans la plage de pression nominale tel qu'indiqué sur l'outil. Toujours vérifier avant d'utiliser l'outil que la source d'air est ajustée à la pression d'air nominale ou dans la plage de pression d'air nominale.
- Ne jamais utiliser d'oxygène, de dioxyde de carbone, de gaz combustible ou tout gaz en bouteille comme source d'air de l'outil. De tels gaz peuvent exploser et provoquer de graves blessures.

**⚠ DANGER** *Ne pas utiliser comme source d'alimentation tout type de gaz réactif, y compris, mais sans s'y limiter, de l'oxygène et des gaz combustibles. Utiliser seulement de l'air comprimé filtré, lubrifié et réglé. Utiliser un gaz réactif au lieu d'air comprimé pourrait faire exploser l'outil ce qui pourrait provoquer des blessures graves voire la mort.*



**⚠ DANGER** *Utiliser seulement une source d'air comprimé à pression pour limiter la pression d'air fournie à l'outil. La pression contrôlée ne doit pas dépasser 621 kPa. S'il y a une défaillance du régulateur, la pression livrée à l'outil ne doit pas dépasser 1 379 kPa. L'outil pourrait exploser ce qui pourrait mener à la mort ou à des blessures graves.*



- Ne pas dépasser la pression nominale de n'importe quelle pièce du système.

**CONSERVER CES INSTRUCTIONS NE LES JETEZ PAS**

## Mode d'Emploi

### GRAISSAGE

L'utilisateur est responsable du graissage correct. Un graissage incorrect de l'outil pneumatique raccourcira de façon spectaculaire la durée de service de celui-ci et annulera la garantie.

**AVIS** *Cette clé à chocs REQUIERT un graissage AVANT d'être utilisée pour la première fois, et AVANT et après chaque utilisation par la suite.*

Les clés à chocs nécessitent un graissage pendant toute leur durée de service et doivent être graissées dans deux endroits différents: le moteur pneumatique et le mécanisme de choc. Il est recommandé d'utiliser de l'huile pour outils pneumatiques, parce qu'il nettoie, lubrifie et empêche la rouille au même temps.

### GRAISSAGE DU MOTEUR PNEUMATIQUE

Le moteur doit être graissé quotidiennement. Un moteur pneumatique ne peut être graissé trop souvent.



## Mode d'Emploi (Suite)

**ATTENTION** *Débrancher la clé à chocs de l'alimentation en air avant de la graisser.*

1. Débrancher la clé à chocs de l'alimentation en air.
2. Mettre la clé à chocs à l'envers.
3. En appuyant sur la gâchette, exprimer à peu près un quart d'once d'huile pneumatique dans la prise d'air. Actionner ensuite le bouton de marche avant/arrière dans les deux sens.

**ATTENTION** *Une fois qu'un outil pneumatique a été graissé, de l'huile s'écoulera de l'orifice de sortie lors des quelques premières secondes de fonctionnement. C'est pourquoi cet orifice DOIT ÊTRE RECOUVERT D'UN TORCHON avant d'alimenter en air comprimé. MANQUE DE COUVRIR L'ORIFICE DE SORTIE PEUT RÉSULTER EN BLESSURE GRAVE.*

4. Brancher la clé à chocs à l'alimentation en air et couvrir l'orifice de sortie d'un torchon. Faire fonctionner la clé à chocs dans les deux sens de rotation pendant 20 à 30 secondes. De l'huile s'écoulera de l'orifice de sortie lorsque l'outil est alimenté en air comprimé.

### GRAISSAGE DU MÉCANISME DE CHOC

Le mécanisme de choc doit être graissé chaque mois.


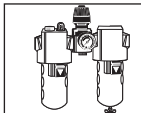
**ATTENTION** *Débrancher la clé à chocs de l'alimentation en air avant de la graisser.*

1. Débrancher la clé à chocs de l'alimentation en air.
2. Retirer la vis à fente ou la vis à tête Allen de l'orifice de graissage.

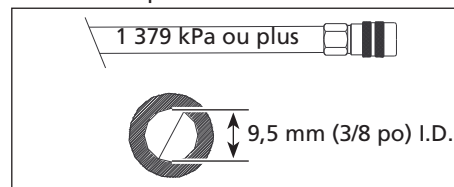
3. Exprimer à peu près un quart d'once d'huile pneumatique dans l'orifice d'entrée de l'huile. Remettre la vis en place.
4. Brancher de nouveau l'alimentation en air à la clé à chocs et faire fonctionner celle-ci pendant 20 à 30 secondes. Graisser l'ensemble du mécanisme de choc en mettant l'outil à l'envers et en l'inclinant sur le côté tout en le faisant fonctionner.
5. Retirer la vis et placer l'orifice de graissage par dessus un récipient approprié pour permettre à l'excédent d'huile de s'écouler. Tirer sur la détente pendant que vous relâchez l'huile, aide parfois à forcer l'huile excessive hors de l'outil.
6. Si l'huile est sale, recommencer l'opération précédente jusqu'à ce que l'huile qui s'écoule soit claire. Poser la vis et la serrer. L'huile qui reste dans la chambre du mécanisme de choc est suffisante pour assurer un graissage correct.

### BRANCHEMENT RECOMMANDÉ

Le branchement recommandé est illustré ci-dessous.

1. Le compresseur d'air doit conserver un minimum de 414 kPa pendant l'utilisation de l'outil. L'alimentation d'air insuffisante peut réduire la puissance de l'outil et peut affecter l'efficacité de l'enfoncement.
 
2. Un graisseur peut être utilisé pour fournir la circulation d'huile à travers l'outil. Un filtre peut être utilisé pour enlever les matières liquides et solides qui peuvent encrasser les pièces internes de l'outil.
 

3. Toujours utiliser des tuyaux d'admission d'air d'une pression nominale minimum égale ou plus grande que la pression de la source d'alimentation si un régulateur cesse de fonctionner correctement ou de 1 379 kPa, selon la pression la plus élevée. Utiliser un tuyau d'air de 6,4 mm (1/4 po) pour les longueurs jusqu'à 15 m (50 pieds). Utiliser les tuyaux d'air de 9,5 mm (3/8 po) pour 15 m ou plus.



4. Utiliser un régulateur de pression sur le compresseur avec une pression de service de 0 kPa - 862 kPa. Un régulateur de pression est indispensable pour maintenir la pression de service de l'outil entre 414 kPa et 621 kPa.

### OPÉRATION DU RÉGULATEUR

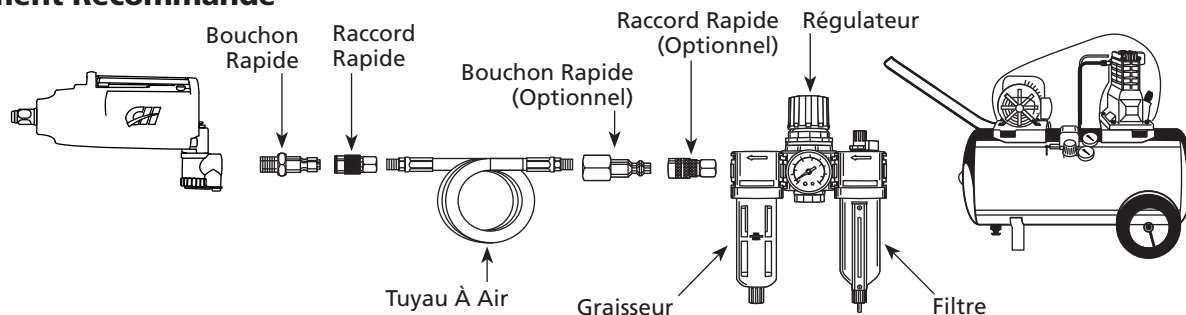
Cette clé à chocs est équipée de plusieurs aiguissages de puissance (vitesse). Utiliser l'interrupteur sur l'arrière de l'outil pour choisir l'aiguillage avant de faire fonctionner l'outil. L'outil a 8 réglages de courant (vitesses) sur le régulateur, et un réglage en avant et en sens inverse sur la gâchette. Ne pas changer les aiguissages pendant que l'outil fonctionne.

### RÉGLAGE DE LA VITESSE

Une clé à chocs ne doit jamais être utilisée pour serrer au couple. Utiliser une clé dynamométrique pour serrer au couple.

Pour enlever des ergots ou des boulons, ajuster le régulateur au réglage maximum. Toujours utiliser une clé dynamométrique pendant l'installation pour assurer le serrage correct des ergots ou des boulons.

## Branchement Recommandé





## Mode d'Emploi (Suite)

**⚠ AVERTISSEMENT** *Prendre précaution de ne pas trop serrer pendant le remontage. Les boulons peuvent tomber en panne ou causer une condition hasardeuse. S'assurer d'ajuster le régulateur au réglage minimum et ensuite utiliser une clé dynamométrique pour le serrage.*

**REMARQUE:** Il est recommandé de ne pas monter un raccord rapide entre l'outil et le tuyau flexible.

L'utilisation de raccords ou tuyaux d'air trop petits peut créer une chute de pression et réduire la puissance de l'outil. Pour les clés à chocs de 10 mm (3/8 po), 13 mm (1/2 po) et 19 mm (3/4 po), utiliser des raccords de 10 mm (3/8 po) diamètre intérieur avec filets de 6,4 mm (1/4 po). La plupart des compresseurs sont livrés avec un tuyau court de 6,4 mm (1/4 po) de diamètre intérieur. Pour obtenir un bon rendement et une meilleure fonctionnalité, utiliser un tuyau de 10 mm (3/8 po) de diamètre intérieur. Les tuyaux de plus de 15,24 mètres (50 pieds) de longueur doivent avoir un diamètre intérieur de 13 mm (1/2 po).

**⚠ AVERTISSEMENT** *Ne jamais transporter un outil en le tenant par le tuyau ni tirer sur celui-ci afin de déplacer l'outil ou un compresseur. Ne pas approcher les tuyaux de la chaleur, de l'huile ni des bords coupants. remplacer tout tuyau endommagé, peu robuste ou usé.*

## Instructions de Maintenance de l'Utilisateur

### SUPPORT TECHNIQUE

Pour tout renseignement sur le fonctionnement ou la réparation de cet outil, veuillez utiliser notre numéro d'assistance 1-800-543-6400 ou pour obtenir d'autres copies de ce manuel.

### PIÈCES DE RECHANGE

Pour des informations concernant la commande des pièces de rechange, appeler en P.C.V. 1-800-543-6400.

S'il vous plaît fournir l'information suivante:

- Numéro du modèle
- Code estampé
- Numéro et description de la pièce

### RÉPARATION D'OUTILS

Seul un personnel qualifié doit réparer l'outil en utilisant seulement des accessoires et des pièces de rechange Campbell Hausfeld, ou des pièces et accessoires qui fonctionnent de manière équivalente.

## MÉTHODE D'ASSEMBLAGE POUR LES JOINTS D'ÉTANCHÉITÉ

Les pièces internes doivent être nettoyées et graissées pendant la réparation d'un outil. Utiliser le Parker O-lube ou l'équivalent sur tous les joints toriques. Chaque joint torique doit être enrobé avec du O-lube avant l'assemblage. Utiliser un peu d'huile sur toutes les surfaces mouvantes et pivots. Après le remontage, ajouter quelques gouttes d'huile sans détergent 30W ou l'équivalent à travers la canalisation d'air avant de faire l'essai.

### RANGEMENT

La clé à chocs doit être graissée avant d'être rangée. Suivre les instructions de graissage du moteur pneumatique, à l'exception de l'étape 4. Ne faire tourner la clé à chocs que pendant 2 à 3 secondes, au lieu de 20 à 30, parce qu'il faut laisser plus d'huile dans la clé à chocs pour l'entreposage. L'outil doit être rangé dans un endroit frais et sec.

## Guide de Dépannage

**⚠ AVERTISSEMENT** *Cesser d'utiliser immédiatement l'outil si l'un des problèmes suivants apparaît. Toutes réparations doivent être effectuées par un Technicien Qualifié ou par un Centre De Service Autorisé.*

Problème	Cause	Solution
L'outil tourne trop lentement ou ne fonctionne pas	1. Présence de grenaille ou de gomme dans l'outil	1. Rincer l'outil avec de l'huile pour outils pneumatiques, dissolvant de gommes, ou un mélange en parties égales d'huile pour moteur SAE 10 et kérosène. Si l'huile pour outils pneumatiques n'est pas usé, lubrifier l'outil après le nettoyage.
	2. Absence d'huile dans l'outil	2. Graisser l'outil conformément aux instructions de graissage données dans ce manuel
	3. Pression d'air trop basse	3. a. Régler le régulateur de l'outil à la position maximum b. Régler le régulateur du compresseur à la position maximum alors que l'outil tourne dans le vide

## Guide de Dépannage (Suite)

Problème	Cause	Solution
L'outil tourne trop lentement ou ne fonctionne pas (Suite)	4. Fuites dans le tuyau d'air	4. Serrer et assurer l'étanchéité des raccords du tuyau en cas de fuites
	5. Chute de la pression	5. a. Veiller à ce que le tuyau soit de la bonne taille. Les longs tuyaux ou les outils exigeant de grands volumes d'air peuvent nécessiter un diamètre intérieur de tuyau d'au moins 12,7 mm (1/2 po.), suivant la longueur totale du tuyau b. Ne pas utiliser plusieurs tuyaux reliés ensemble avec des raccords rapides. Cela provoque des chutes de pression supplémentaires et réduit la puissance de l'outil. Brancher les tuyaux directement les uns aux autres
	6. Usure d'un roulement à billes du moteur	6. Déposer et examiner le roulement pour voir s'il est rouillé, sale, contient de la grenaille ou a une bague usée. Remplacer ou nettoyer et regraisser le roulement avec de la graisse à roulements
Humidité expulsée de l'outil	1. Présence d'eau dans le réservoir	1. Vidanger le réservoir. (Voir le manuel du compresseur.) Huiler l'outil et le faire tourner jusqu'à ce qu'il semble ne plus contenir d'eau. Huiler l'outil de nouveau et le faire tourner pendant 1-2 seconde(s)
	2. Présence d'eau dans les canalisations/ tuyaux d'air	2. a. Monter un séparateur/filtre d'eau. <b>REMARQUE:</b> Les séparateurs ne fonctionnent correctement que lorsque l'air qui les traverse soit frais. Positionner le séparateur/filtre aussi loin que possible du compresseur b. Monter un sécheur d'air c. Si le séparateur original ne sépare pas toute l'eau de l'air, monter un filtre d'air de courroie.

## Guide de Dépannage du Mécanisme de Choc

Problème	Cause	Solution
Chocs lents ou absence de chocs	1. Graissage insuffisant	1. Graisser le moteur pneumatique et le mécanisme de choc. (Voir la section Graissage de ce manuel)
	2. Régulateur de l'outil réglé à une position incorrecte	2. Régler la position du régulateur de l'outil au réglage maximum
	3. Régulateur sur canalisation ou du compresseur réglé trop bas	3. Régler les régulateurs du système d'alimentation en air
Chocs rapides, mais pas de desserrage des boulons	1. Usure du mécanisme de choc	1. a. Remplacer les pièces détachées usées du mécanisme de choc b. Renvoyer la clé à chocs au Centre de Service Autorisé pour qu'elle soit réparée
Absence de chocs	1. Panne du mécanisme de choc	1. a. Remplacer les pièces détachées en panne du mécanisme de choc b. Renvoyer la clé à chocs au Centre de Service Autorisé pour qu'elle soit réparée

## Garantie Limitée

1. DURÉE: À partir de la date d'achat par l'acheteur original comme suit - Un An.
2. GARANTIE ACCORDÉE PAR (GARANT): Campbell Hausfeld/Scott Fetzer Company, 100 Production Drive, Harrison, Ohio, 45030, Téléphone: (800) 543-6400
3. BÉNÉFICIAIRE DE CETTE GARANTIE (ACHETEUR): L'acheteur original (sauf en cas de revente) du produit Campbell Hausfeld.
4. PRODUITS COUVERTS PAR CETTE GARANTIE: Cet outil pneumatique Campbell Hausfeld.
5. COUVERTURE DE LA PRÉSENTE GARANTIE: Défauts importants de matériaux et de main d'oeuvre qui se produisent durant la période de garantie à l'exception de ce qui est noté plus bas.
6. LA PRÉSENTE GARANTIE NE COUVRE PAS:
  - A. Les garanties implicites, y compris celles de commercialisabilité et D'ADAPTION À UNE FONCTION PARTICULIÈRE SONT LIMITÉES À PARTIR DE LA DATE D'ACHAT INITIALE TELLE QU'INDIQUÉE DANS LA SECTION DURÉE. Si ce produit est utilisé pour une fonction commerciale, industrielle ou pour la location, la durée de la garantie sera quatre-vingt-dix (90) jours à compter de la date d'achat. Quelques Provinces (États) n'autorisent pas de limitations de durée pour les garanties implicites. Les limitations précédentes peuvent donc ne pas s'appliquer.
  - B. TOUT DOMMAGE, PERTE OU DÉPENSE FORTUIT OU INDIRECT POUVANT RÉSULTER DE TOUT DÉFAUT, PANNE OU MAUVAIS FONCTIONNEMENT DU PRODUIT CAMPBELL HAUSFELD. Quelques Provinces (États) n'autorisent pas l'exclusion ni la limitation des dommages fortuits ou indirects. La limitation ou exclusion précédente peut donc ne pas s'appliquer.
  - C. Toute panne résultant d'un accident, d'une utilisation abusive, de la négligence ou d'une utilisation ne respectant pas les instructions données dans le(s) manuel(s) accompagnant le produit. Un accident, l'utilisation abusive par l'acheteur, la négligence ou le manque de faire fonctionner les produits selon les instructions comprend aussi l'enlèvement ou la modification de n'importe quel appareil de sûreté. Si ces appareils de sûreté sont enlevés ou modifiés, la garantie sera annulée.
  - D. Réglages normaux qui sont expliqués dans le(s) manuel(s) d'utilisation accompagnant le produit.
  - E. Articles ou services qui sont exigés pour l'entretien normal du produit par ex. joints toriques, ressorts, joints d'étanchéité, garnitures ou sceaux, lubrifiants, aubes du moteur, mécanisme à chocs, ou toute autre pièce consommable non spécifiquement indiquée. Ces articles ne seront couverts que pendant quatre-vingt-dix (90) jours de la date d'achat original. Les articles soulignés sont garantis contre les défauts de matériaux et de fabrication seulement.
7. RESPONSABILITÉS DU GARANT AUX TERMES DE CETTE GARANTIE: Réparer ou remplacer, au choix du Garant, les produits ou composants défectueux, qui ont connu une défaillance et/ou qui ne sont pas conformes pendant la durée précise de validité de la garantie.
8. RESPONSABILITÉS DE L'ACHETEUR AUX TERMES DE CETTE GARANTIE:
  - A. Fournir une preuve d'achat datée et un état d'entretien.
  - B. Appelez Campbell Hausfeld (800) 543-6400 pour obtenir vos options de service sous garantie. Les frais de transport sont la responsabilité de l'acheteur.
  - C. Utilisation et entretien du produit avec un soin raisonnable, ainsi que le décrit le(s) manuel(s) d'utilisation.
9. RÉPARATION OU REMPLACEMENT EFFECTUÉ PAR LE GARANT AUX TERMES DE LA PRÉSENTE GARANTIE: La réparation ou le remplacement sera prévu et exécuté en fonction de la charge de travail dans le centre de service et dépendra de la disponibilité des pièces de rechange.

Cette Garantie Limitée s'applique aux É.-U., au Canada et au Mexique seulement et vous donne des droits juridiques précis. L'acheteur peut également jouir d'autres droits qui varient d'une Province, d'un État ou d'un Pays à l'autre.

Por favor lea y guarde estas instrucciones. Léalas cuidadosamente antes de tratar de montar, instalar, operar o dar mantenimiento al producto aquí descrito. Protéjase usted mismo y a los demás observando toda la información de seguridad. ¡El no cumplir con las instrucciones puede ocasionar daños, tanto personales como a la propiedad! Guarde estas instrucciones para referencia en el futuro.



# Llave de Impacto de 9,5 mm (3/8 pulg.) de Mariposa

## Índice

Descripción ..... Sp 17

Desempaque ..... Sp 17

Medidas de Seguridad ..... Sp 17

Instrucciones de Seguridad Importantes..... Sp 18

Componentes y Especificaciones de la Herramienta..... Sp 18

Instrucciones de Funcionamiento ..... Sp 20

    Lubricación..... Sp 20

    Conexión Recomendada ..... Sp 21

    Funcionamiento del Regulador..... Sp 21

    Ajuste de Velocidad..... Sp 21

Instrucciones de Uso y Mantenimiento..... Sp 22

Guía de Diagnóstico de Averías..... Sp 22 y Sp 23

Garantía Limitada ..... Sp 24



Localice el modelo y el código de fecha en la herramienta y regístrelo debajo:

Modelo: \_\_\_\_\_

Código de fecha \_\_\_\_\_

Guarde estos números para referencia futura.

## Descripción

Esto es una pistola de impacto con mecanismo de empaque de retén oscilante diseñada para trabajos domésticos en general tales como trabajos de mantenimiento, reparación de automóviles, y reparación de equipos de jardinería. Esta herramienta no está diseñada para usarse en líneas de ensamblaje ni para trabajos pesados.

## Desempaque

Al desempacar este producto, revíselo con cuidado para cerciorarse de que esté en perfecto estado. Cericiórese de apretar todas las conexiones, pernos, etc. antes de comenzar a utilizar la unidad.

## Medidas de Seguridad

Este manual contiene información que es muy importante que sepa y comprenda. Esta información se la suministramos como medida de SEGURIDAD y para EVITAR PROBLEMAS CON EL EQUIPO. Debe reconocer los siguientes símbolos.

**▲ PELIGRO** Esto le indica que hay una situación inmediata que LE OCASIONARIA la muerte o heridas de gravedad.

**▲ ADVERTENCIA** Esto le indica que hay una situación que PODRIA ocasionarle la muerte o heridas de gravedad.

**▲ PRECAUCION** Esto le indica que hay una situación que PODRIA ocasionarle heridas no muy graves.

**AVISO** Esto le indica una información importante, que de no seguirla, le podría ocasionar daños al equipo.

**NOTA:** Información que requiere atención especial.

**RECORDATORIO:** ¡Guarde su comprobante de compra con fecha para fines de la garantía! Adjúntela a este manual o archívela en lugar seguro.

## Instrucciones de Seguridad Importantes

### INSTRUCCIONES EN REFERENCIA AL PELIGRO DE INCENDIOS, CHOQUE ELÉCTRICO O LESIONES PERSONALES

Este manual contiene información sobre seguridad, funcionamiento y mantenimiento. Póngase en contacto con su representante Campbell Hausfeld si tiene alguna pregunta.

**ADVERTENCIA** Cuando se usen herramientas, siempre se deberán seguir precauciones básicas, incluyendo las siguientes:

#### PROPOSICIÓN 65 DE CALIFORNIA


**ADVERTENCIA** Este producto, o su cordón eléctrico, puede contener productos químicos conocidos por el estado de California como causantes de cáncer y defectos de nacimiento u otros daños reproductivos. Lave sus manos después de usar.

**ADVERTENCIA** Cuando corta



lija, taladra o pule materiales como por ejemplo madera, pintura, metal, hormigón, cemento, u otro tipo de mampostería se puede producir polvo. Con frecuencia este polvo contiene productos químicos que se conocen como causantes de cáncer, defectos congénitos u otros daños reproductivos. Use equipo de protección.

## GENERAL

- Para reducir el riesgo de choque eléctrico, incendio y lesiones personales, lea todas las instrucciones antes de usar la herramienta. 
- Familiarícese con los controles y el uso adecuado del equipo. Siga todas las instrucciones. Póngase en contacto con su representante Campbell Hausfeld si tiene alguna pregunta.
- Sólo se les debe permitir usar esta unidad a aquellas personas bien familiarizadas con estas reglas de manejo seguro.

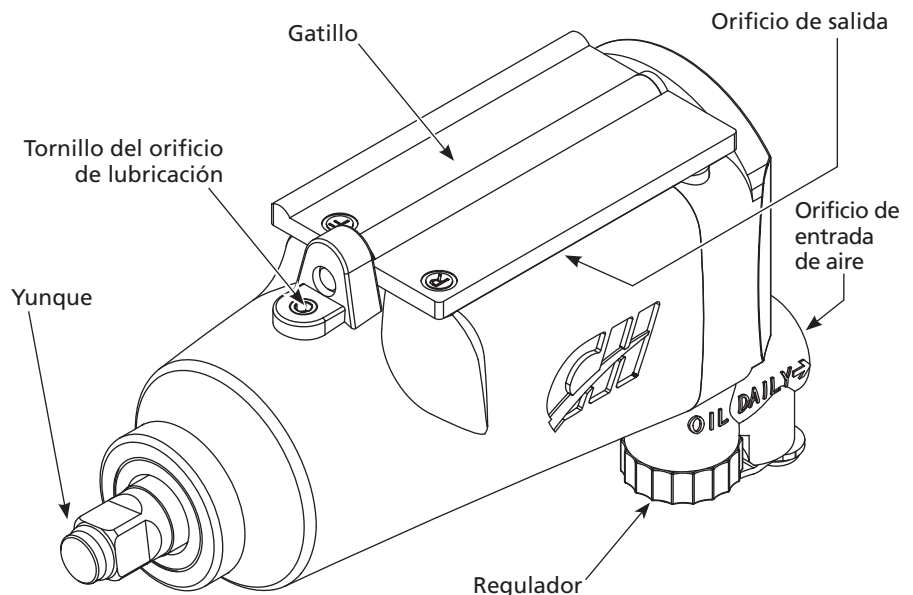
**PELIGRO** Lea y comprenda las etiquetas y el manual de la herramienta. Si no respeta las advertencias, los riesgos y las recomendaciones, eso podría resultar en la MUERTE o en LESIONES GRAVES.

## ÁREA DE TRABAJO

- Manténgase alerta. Mire lo que está haciendo y use el sentido común cuando haga funcionar la herramienta. No use la herramienta si está cansado o bajo la influencia de drogas, alcohol o medicamentos. Un momento de desatención mientras hace funcionar la herramienta aumenta el riesgo de lesiones personales.
- Vístase adecuadamente. No use alhajas ni vestimenta suelta. Sujétese el cabello largo. Mantenga el cabello, vestimenta y guantes alejados de las piezas móviles. La vestimenta suelta, las alhajas o el cabello largo aumentan el riesgo de lesiones personales como resultado de quedar atrapados en las piezas móviles.
- Evite que se encienda accidentalmente. Asegúrese de que el interruptor esté en la posición de apagado antes de conectar el suministro de aire. No lleve la herramienta con su dedo sobre el interruptor ni conecte la herramienta al suministro de aire con el interruptor en la posición de encendido.
- Quite las llaves de ajuste o antes de encender la herramienta. Una conectada a una pieza giratoria de la herramienta puede provocar lesiones personales.
- No intente alcanzar lugares alejados. Mantenga un buen soporte y equilibrio en todo momento. Un soporte y equilibrio adecuados permiten un mejor control de la herramienta en situaciones inesperadas.

## Componentes y Especificaciones de la Herramienta

m <sup>3</sup> /min promedio. . . . .	0,07 @ 6,21 bar
y bar	(15% de uso)
m <sup>3</sup> /min continuo . . . . .	0,46 @ 6,21 bar
	(100% de uso)
s <sup>-1</sup> (RPM) Máx . . . . .	166,6 (10 000)
Torsión Máx. . . . .	10,4 kg m
Torsión de trabajo. . . . .	0,69 kg m - 6,9 kg m
Tipo de mecanismo	
de impacto . . . . .	Embrague de muñón
Capacidad del perno. . . . .	9,5 mm (3/8 pulg.)
Admisión de aire. . . . .	6,4 mm (1/4 pulg.)
	NPT (Interior)
Impulsión. . . . .	9,5 mm (3/8 pulg.) Sq
Peso . . . . .	0,91 kg
Vibración en el mango . . . . .	4.5m/s <sup>2</sup>
Nivel de sonido en dB	
Presión . . . . .	92
Potencia . . . . .	104





## Instrucciones de Seguridad Importantes (Continúa)

- f. Use equipo de seguridad. Se debe usar una máscara para polvo, calzado de seguridad antideslizante y casco para las condiciones que se apliquen.



- g. Siempre use protección para los ojos.



- h. Use siempre una protección para el oído cuando use la herramienta.

La exposición prolongada a ruido de alta intensidad puede causar pérdida de audición.

- i. No ate la manguera ni la herramienta a su cuerpo. Adjunte la manguera a la estructura para reducir el riesgo de pérdida de equilibrio si la manguera se cambia de posición.

**▲ PELIGRO** *Siempre colóquese en una posición firme y balanceada para usar o manipular la herramienta.*

**▲ PRECAUCIÓN** *Evite trabajar con esta herramienta por largos periodos. Deje de usar la herramienta si siente dolor en las manos o en los brazos.*

- j. Sostenga la herramienta por la superficie de sujeción aislada cuando realice una operación en la que la herramienta pueda entrar en contacto con un cableado oculto. Al entrar en contacto con un cable de corriente las piezas metálicas de la herramienta conducirán la electricidad y el usuario recibirá un choque eléctrico.
- k. Evite el contacto corporal con las superficies conectadas a tierra, tales como tuberías, radiadores, cocinas eléctricas o refrigeradores. Existe un mayor riesgo de choque eléctrico si su cuerpo está conectado a tierra.
- l. Examine la pieza de trabajo para evitar entrar en contacto con un cableado oculto. Revise bien la pieza de trabajo para verificar posibles cableados ocultos antes de realizar el trabajo. El contacto con un cable bajo tensión eléctrica causará que el usuario reciba un choque eléctrico.
- m. Nunca apunte una herramienta neumática hacia usted ni hacia otra persona. Pueden ocurrir lesiones graves.

- n. No acerque las manos a las piezas móviles ni las coloque debajo de ellas.

### USO Y CUIDADO DE LA HERRAMIENTA

- a. Use sujetadores u otra manera práctica de asegurar y apoyar la pieza de trabajo a una plataforma estable. Sostener el trabajo con la mano o contra el cuerpo es algo inestable y puede producir la pérdida de control.
- b. No fuerce la herramienta. Use la herramienta correcta para la aplicación. La herramienta correcta hará el trabajo mejor y en forma más segura a la velocidad para la cual fue diseñada.
- c. No use la herramienta si el interruptor no la enciende o no la apaga. Cualquier herramienta que no pueda ser controlada con el interruptor es peligrosa y debe repararse.
- d. **▲ ADVERTENCIA** *Desconecte la herramienta del suministro de aire antes de hacer cualquier ajuste, realizar el mantenimiento de la herramienta, eliminar obstrucciones, dejar el área de trabajo, cargar o descargar la herramienta.* Estas medidas de precaución reducen el riesgo de lesiones personales.
- e. Cuando no esté en uso, guarde la herramienta fuera del alcance de los niños y otras personas no capacitadas. Una herramienta es peligrosa cuando está en manos de usuarios inexpertos.
- f. Cuide su herramienta. Mantenga una herramienta para cortar afilada y limpia. Una herramienta mantenida adecuadamente con bordes de corte afilados reduce el riesgo de atascarse y es más fácil de controlar.
- g. Verifique que las piezas móviles no estén desalineadas ni adheridas, que no haya piezas rotas y que no exista ningún otro problema que afecten el funcionamiento de la herramienta. Si está dañada, haga que le realicen un servicio a la herramienta antes de usarla. Muchos accidentes son causados por herramientas que no tienen un mantenimiento adecuado. Si la herramienta sufre un daño, hay riesgo de explosión.

- h. Use únicamente los accesorios que están identificados por el fabricante para el modelo de herramienta específico. El uso de un accesorio no diseñado para usarse con el modelo de herramienta específico aumenta el riesgo de lesiones personales.
- i. Seleccionar un sistema de activación de la herramienta adecuado, tomando en cuenta la aplicación de trabajo para la cual se usa la herramienta.

**▲ PELIGRO** *Nunca limpie la herramienta con gasolina o ningún otro líquido inflamable. Nunca use la herramienta en la cercanías de líquidos o gases inflamables. Una chispa podría encender los vapores y ocasionar una explosión que podría ocasionarle la muerte o heridas graves.*



**▲ PELIGRO** *Nunca exceda la capacidad máxima de presión de la herramienta neumática (6,21 bar). La herramienta neumática podría explotar y ocasionarle la muerte o heridas graves.*

**▲ ADVERTENCIA** *No use dados para herramientas manuales. Sólo use dados para llaves de impacto. Los dados para herramientas manuales son "tan fuertes como el vidrio" y se romperán ocasionándole heridas graves.*

- j. Nunca oprima el gatillo a menos que la herramienta esté apuntada al área de trabajo. Cerciórese de que los accesorios estén bien apretados. De lo contrario, podrían ocasionarle heridas graves.

**▲ ADVERTENCIA** *Libere toda la presión del sistema antes de tratar de instalar, darle servicio, reubicar o darle mantenimiento.*

- k. Mantenga todas las tuercas, tornillos y pernos bien apretados y cerciórese de que el equipo esté en buenas condiciones de funcionamiento.

**▲ ADVERTENCIA** *Desconecte siempre la herramienta de la fuente de energía cuando no la esté atendiendo, cuando le esté realizando mantenimiento o reparaciones, desobstruyéndola o moviéndola a un nuevo sitio.*

## Instrucciones de seguridad importantes (Continúa)

**⚠ ADVERTENCIA** Siempre ajuste la herramienta con un conector o acoplador de mangueras colocado en o cerca de la herramienta de un modo tal que se descargue todo el aire comprimido en la herramienta en el momento en que se desconecte el conector o acoplador. No use una válvula de chequeo o ninguna conexión que permita que el aire permanezca en la herramienta. Se puede producir la muerte o lesiones personales graves.

**⚠ ADVERTENCIA** Nunca cargue la herramienta por la manguera de aire ni hale la manguera para mover la herramienta o el compresor de aire. Mantenga las mangueras alejadas del calor, aceite y objetos puntiagudos. Reemplace cualquier manguera que esté dañada, débil o desgastada. Ésto podría ocasionar heridas o daños a la herramienta

**⚠ ADVERTENCIA** No opere la herramienta ni permita que otros la operen si las etiquetas de advertencia están ilegibles. Éstas se encuentran en el cargador o el cuerpo de la herramienta.



**⚠ ADVERTENCIA** No deje que la herramienta se caiga ni la tire. Ésto podría dañarla o convertirla en algo peligroso de usar. En caso de que la herramienta se haya caído o la hayan tirado, revísela con cuidado a ver si está doblada o rota, si tiene alguna pieza dañada o tiene fugas de aire. DEJE de trabajar y repárela antes de usarla o podría ocasionarle heridas graves.

**AVISO** Limpie y chequee todas las mangueras de suministro de aire y conexiones antes de conectar la herramienta al compresor. Reemplace las mangueras y conexiones que estén dañadas o desgastadas. El rendimiento de la herramienta o su durabilidad podrían reducirse.

**⚠ ADVERTENCIA** No use dados para herramientas manuales. Sólo use dados para llaves de impacto. Los dados para herramientas manuales son "tan fuertes como el vidrio" y se romperán ocasionándole heridas graves.

**⚠ ADVERTENCIA** Libere toda la presión del sistema antes de tratar de instalar, darle servicio, reubicar o darle mantenimiento.



**⚠ ADVERTENCIA** No haga mal uso de este producto. La exposición a vibraciones excesivas, el trabajar en posiciones anormales y los movimientos repetitivos del trabajo pueden causar daños a las manos y los brazos. Si siente incomodidad, pérdida de sensación, hormigueo o dolor, suspenda el uso de cualquier herramienta y consulte a un médico.

### SERVICIO

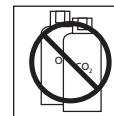
- El servicio de la herramienta debe ser realizado sólo por personal de reparaciones calificado.
- Al realizarle un servicio a la herramienta, utilice únicamente piezas de repuesto idénticas. Use sólo piezas autorizadas.
- Use sólo los lubricantes que el fabricante proporciona con la herramienta.

**⚠ PRECAUCION** No haga ninguna modificación a la herramienta sin obtener primero la aprobación por escrito de Campbell Hausfeld. No use la herramienta si le faltan alguna de las tapas protectoras o si éstas han sido modificadas. No use la herramienta como un martillo. Se pueden producir lesiones personales o daños a la herramienta.

### SUMINISTRO DE AIRE

- Nunca conecte a un suministro de aire capaz de exceder las 13,79 bar. Someter la herramienta a presión excesiva puede resultar en una explosión, funcionamiento anormal, daños a la herramienta o graves lesiones personales. Use sólo aire comprimido limpio, seco y regulado a la presión de funcionamiento o dentro del rango de presiones indicado en la herramienta. Antes de usar la herramienta, verifique siempre que el suministro de aire haya sido regulado a la presión de funcionamiento o esté dentro del rango de presiones indicadas.
- No use nunca oxígeno, dióxido de carbono, gases combustibles o ningún gas en botellas como suministro de aire para la herramienta. Tales gases pueden explotar y causar graves lesiones personales.

**⚠ PELIGRO** No use ningún



tipo de gas reactivo, incluyendo, pero no limitado a, oxígeno y gases combustibles, como fuente de energía. Use sólo aire comprimido filtrado, lubricado y regulado. El uso de un gas reactivo en vez de aire comprimido puede provocar que la herramienta explote, lo cual puede ocasionar la muerte o graves lesiones personales.

**⚠ PELIGRO** Use solamente una fuente de aire comprimido de presión regulada para limitar la presión de aire suministrada a la herramienta.



La presión regulada no debe exceder los 6,21 bar. Si el regulador falla, la presión transmitida a la herramienta no debe exceder los 13,79 bar. La herramienta puede explotar, lo cual puede ocasionar la muerte o graves lesiones personales.

- Nunca exceda ninguna de las presiones máximas indicadas para los componentes del sistema.

**GUARDE ESTAS INSTRUCCIONES – NO LAS DESECHE**

## Instrucciones de Funcionamiento

### LUBRICACION

La lubricación adecuada del equipo es la responsabilidad del propietario. El no lubricarlo adecuadamente reducirá drásticamente la duración de la herramienta y discontinuará la garantía.

**AVISO** Esta llave de impacto REQUIERE lubricación ANTES de usarla por primera vez y DESPUES de cada uso adicional.

Las llaves de impacto requieren lubricación constantemente y deben ser lubricadas en dos áreas diferentes: el motor neumático y el mecanismo de impacto. Se recomienda el uso de aceite para herramientas neumáticas porque limpia, lubrica y previene el óxido al mismo tiempo.

## Instrucciones de Funcionamiento (Continúa)

### LUBRICACION DEL MOTOR NEUMATICO

El motor debe ser lubricado diariamente. Este tipo de motor nunca será lubricado en exceso.

**PRECAUCION** *Desconecte la llave de impacto de la fuente de aire antes de lubricarla.*

1. Desconecte la llave de impacto de la fuente de aire.
2. Voltéela de modo que la entrada de aire esté hacia arriba.
3. Mientras oprime el gatillo, apriete cerca de un cuarto de onza de aceite para herramientas neumáticas en el orificio de entrada de aire. Después, mueva el botón para cambiar el sentido en ambas direcciones.

**PRECAUCION** *Después que una herramienta neumática ha sido lubricada expulsará aceite por el orificio de salida durante los primeros segundos de funcionamiento. Por lo tanto, DEBERA CUBRIR EL ORIFICIO DE SALIDA CON UNA TOALLA antes de aplicar presión de aire. DE LO CONTRARIO, PODRIA OCASIONARLE HERIDAS GRAVES.*

4. Conecte la llave de impacto a la fuente de aire y cubra el orificio de salida con una toalla. Haga funcionar la llave de impacto en ambas direcciones por unos 20 ó 30 segundos. Saldrá aceite por el orificio de salida al aplicarle presión de aire.

### LUBRICACION DEL MECANISMO DE IMPACTO

Lubrique el mecanismo de impacto mensualmente.

**PRECAUCION** *Desconecte la llave de impacto de la fuente de aire antes de lubricarla.*

1. Desconecte la llave de impacto de la fuente de aire.
2. Saque el tornillo plano o tipo allen del orificio de lubricación.
3. Apriete cerca de una onza de aceite para herramientas neumáticas en el orificio para el aceite. Cóloque el tornillo.
4. Reconecte la fuente de aire a la llave de impacto y déjela funcionar por 20 ó 30 segundos. Lubrique todo el mecanismo de impacto volteando la herramienta en todos los sentidos mientras que la herramienta esté funcionando.
5. Quítele el tornillo, sostenga la herramienta sobre un envase adecuado y drene el exceso de aceite. Algunas veces, oprimir el gatillo, cuando está vaciando el aceite, le ayuda a expulsar el exceso de aceite.
6. Si el aceite está sucio, repita el procedimiento anterior hasta que el aceite salga limpio. Coloque el tornillo y apriételo. El residuo de aceite que quede en la cámara del mecanismo de impacto es todo lo que se necesita para una lubricación adecuada.

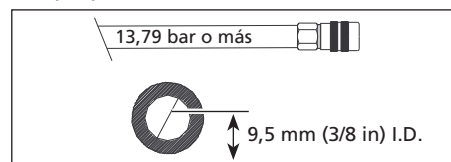
### CONEXION RECOMENDADA

La ilustración de abajo le muestra la conexión recomendada para la herramienta.

1. El compresor de aire debe tener la capacidad de suministrar un mínimo de 4,14 bar cuando la herramienta esté en uso. Si el suministro de aire es inadecuado podría haber pérdida de potencia y falta de consistencia en el funcionamiento.
2. Puede utilizar un lubricador para lubricar la

herramienta. Igualmente, puede utilizar un filtro para remover las impurezas líquidas y sólidas que podrían oxidar u obstruir las partes internas de la herramienta.

3. Use siempre mangueras de suministro de aire, con una presión mínima de funcionamiento con clasificación igual o mayor que la presión de la fuente de energía si falla un regulador, o 13,79 bar, lo que sea mayor. Use mangueras de aire de 6,4 mm (1/4 pulg.) para distancias de hasta 15 m (50 feet). Use mangueras de aire de 9,5 mm (3/8 pulg.) para distancias de 15 m (50') ó más.



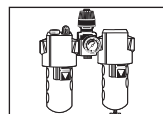
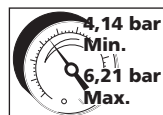
4. Use un regulador de presión (de 0 bar - 8,62 bar) en el compresor. Se necesita un regulador de presión para controlar la presión de operación de la herramienta entre 4,14 bar y 6,21 bar.

### FUNCIONAMIENTO DEL REGULADOR

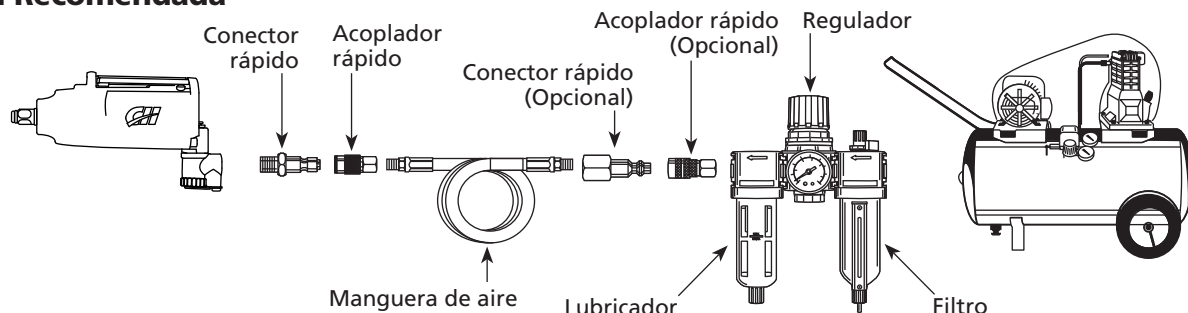
Esta pistola de impacto viene equipada con varios ajustes de potencia (velocidad). Use el interruptor en la parte posterior de esta herramienta para seleccionar la velocidad apropiada antes de ponerla en uso. La herramienta tiene 8 ajustes de corriente (velocidades) en el regulador, y ajustes para adelante y atrás en el gatillo. No cambie la velocidad mientras la herramienta está funcionando.

### AJUSTE DE VELOCIDAD

Una llave de impacto nunca se debe usar para fijar el torque. Use una herramienta adecuada (torquímetro) para fijar el torque.



### Conexión Recomendada





## Instrucciones de Funcionamiento (Continúa)

Para sacar tuercas de llantas de automóviles o pernos, coloque el regulador en lo máximo. Para colocarlos, siempre use un torquímetro para apretarlos adecuadamente.

**⚠ ADVERTENCIA** *Cuando desee apretar pernos cerciórese de no apretarlos en exceso. Los pernos pueden romperse o crear una situación peligrosa. Cerciórese de fijar el regulador en lo mínimo y use un torquímetro para fijar el torque.*

**NOTA:** No es recomendable instalar un acoplador rápido entre la llave de impacto y la manguera flexible principal.

El usar conexiones o mangueras de aire que sean muy pequeñas podría crear una baja de presión y reducir la potencia de la herramienta. Para las llaves de impacto de 10 mm (3/8 pulg.), 13 mm (1/2 pulg.) y 19 mm (3/4 pulg.) se recomienda el uso de conexiones de 10 mm (3/8 pulg.) de diámetro interno con roscas de 6,4 mm (1/4 pulg.) NPT. La mayoría de los compresores se envían con una manguera corta de 6,4 mm (1/4 pulg.) de diámetro interno. Para un funcionamiento adecuado y para mayor conveniencia, use una manguera de 10 mm (3/8 pulg.) de diámetro interno. Las mangueras de más de 15,24 m (50 pies) de longitud deben tener un diámetro interno de 13 mm (1/2 pulg.).

**⚠ ADVERTENCIA** *Nunca cargue una herramienta por la manguera o hale la manguera para mover la herramienta o un compresor. Mantenga las mangueras alejadas del calor, aceite o puntas afiladas, reemplace cualquier manguera que esté dañada, deteriorada o desgastada.*

## Instrucciones de Uso y Mantenimiento

### ASISTENCIA TÉCNICA

Para mayor información en relación al funcionamiento o reparación de este producto, comuníquese con el concesionario de Campbell Hausfeld más cercano a su domicilio.

### INFORMACIÓN SOBRE PIEZAS DE REPUESTO

Para obtener información de como obtener piezas de repuesto en Estados Unidos, sírvase llamar al 1-800-543-6400. En el exterior, comuníquese con el distribuidor de productos Campbell Hausfeld más cercano a su domicilio.

- Número del modelo
- Código estampado
- Número de pieza y descripción

### PARA REPARAR LA HERRAMIENTA

La herramienta deberá ser reparada únicamente por personal calificado, y deberán usar piezas de repuesto y accesorios originales Campbell Hausfeld, o piezas y accesorios que funcionen de manera equivalente.

## PARA COLOCARLE LOS SELLOS

Cada vez que repare una herramienta deberá limpiarle y lubricarle las partes internas. Le recomendamos que use Parker O-lube o un lubricante equivalente en todos los anillos en O. A cada anillo en O se le debe dar un baño de lubricante para anillos antes de instalarlos. Igualmente, deberá ponerle un poco de aceite a todas las piezas que se mueven y muñones. Finalmente, después de haberla ensamblado y antes de probar la herramienta deberá ponerle unas cuantas gotas de aceite sin detergente 30W u otro aceite similar, en las líneas de aire.

## ALMACENAJE

La llave de impacto se debe lubricar antes de almacenarla. Siga las instrucciones de lubricación excepto el paso 4. Sólo déjela funcionar 2 ó 3 segundos en vez de 20 ó 30 segundos ya que debe almacenar la con más aceite en el mecanismo de impacto. La agrapadora debe guardarse en un lugar fresco y seco.

## Guía de Diagnóstico de Averías

**⚠ ADVERTENCIA** *Deje de usar la grapadora inmediatamente si alguno de los siguientes problemas ocurre. Podría ocasionarle heridas graves. Cualquier reparación o reemplazo de piezas los debe hacer un técnico calificado personal de un centro autorizado de servicio.*

Problema	Causa	Solución
La herramienta funciona lentamente o no funciona	<ol style="list-style-type: none"> <li>1. Hay acumulación de arenillas o goma</li> <li>2. La herramienta no tiene aceite</li> <li>3. La presión de aire es muy baja</li> <li>4. Hay una fuga de aire en las mangueras</li> </ol>	<ol style="list-style-type: none"> <li>1. Enjuague la herramienta con aceite para herramientas neumáticas, diluyente de gomas, o una mezcla de partes iguales de aceite de motor SAE 10 y querosene. Si no se usa aceite para herramientas, lubrique la herramienta después de la limpieza.</li> <li>2. Lubrique la herramienta según las instrucciones de lubricación</li> <li>3. <ol style="list-style-type: none"> <li>a. Aumente la presión del regulador a lo máximo</li> <li>b. Aumente la presión del compresor a lo máximo mientras la herramienta funciona libremente</li> </ol> </li> <li>4. De haber fugas en las mangueras apriete bien las conexiones</li> </ol>

## Guía de Diagnóstico de Averías (Continúa)

Problema	Causa	Solución
La herramienta funciona lentamente o no funciona (Continúa)	<p>5. Ocurre una baja de presión</p> <p>6. Uno de los baleros del motor está desgastado</p>	<p>5. a. Cerciórese de que la manguera sea del tamaño adecuado. Las mangueras largas o herramientas que estén usando grandes volúmenes de aire tal vez necesiten una manguera con un diámetro interno de 13mm (1/2 inch) o más según la longitud total de la manguera</p> <p>b. Nunca conecte varias mangueras con conectores rápidos. Ésto ocasiona bajas de presión adicionales y reduce la potencia. Conecte las mangueras directamente</p> <p>6. Saque los baleros y revíselos a ver si están oxidados, tienen impurezas o los anillos están desgastados. Reemplácelos o límpielos y lubríquelos con grasa para baleros</p>
La herramienta expulsa residuos de agua	<p>1. Hay agua en el tanque</p> <p>2. Hay agua en las líneas de aire/ mangueras</p>	<p>1. Drene el tanque (Lea el manual del compresor de aire). Póngale aceite a la herramienta y déjela funcionar hasta que no expulse más agua. Una vez más póngale aceite a la herramienta y déjela funcionar por unos 1 ó 2 segundos</p> <p>2. a. Instale un filtro/ separador de agua. <b>NOTA:</b> Los separadores funcionan bien sólo cuando el aire que está circulando está frío. Coloque este filtro separador lo más lejos posible del compresor</p> <p>b. Instale un secador de aire</p> <p>c. Si el separador original no separa toda el agua del aire, instale un filtro de aire de correa.</p>

## Guía de Diagnóstico de Averías del Mecanismo de Impacto

Problema	Causa	Solución
El impacto es muy lento o no ocurre	<p>1. Le falta lubricante</p> <p>2. El regulador de la herramienta no está fijado correctamente</p> <p>3. El regulador de la línea o el del compresor están fijados a un nivel muy bajo</p>	<p>1. Lubrique el motor neumático y el mecanismo de impacto. (Lea las instrucciones de lubricación de este manual)</p> <p>2. Ajuste el regulador de la herramienta a lo máximo</p> <p>3. Ajuste los reguladores en el sistema de aire</p>
Hace impacto rápidamente pero no saca los pernos	<p>1. El mecanismo de impacto está desgastado</p>	<p>1. a. Reemplace el mecanismo de impacto</p> <p>b. Devuelva la llave de impacto al Centro de Servicio Autorizado para su reparación</p>
No hace impacto	<p>1. El mecanismo de impacto está roto</p>	<p>1. a. Reemplace el mecanismo de impacto</p> <p>b. Devuelva la llave de impacto al Centro de Servicio Autorizado para su reparación</p>



## Garantía Limitada

1. DURACION: A partir de la fecha de compra por el comprador original tal como se especifica a continuación: Un año.
2. QUIEN OTORGA ESTA GARANTIA (EL GARANTE: Campbell Hausfeld / The Scott Fetzer Company 100 Production Drive, Harrison, Ohio 45030 Teléfono: (800) 543-6400
3. QUIEN RECIBE ESTA GARANTIA (EL COMPRADOR): El comprador original (que no sea un revendedor) del producto Campbell Hausfeld.
4. PRODUCTOS CUBIERTOS POR ESTA GARANTIA: Esta herramienta neumática Campbell Hausfeld.
5. COBERTURA DE LA GARANTIA: Defectos importantes en el material y la mano de obra que ocurran durante la duración del período de garantía con las excepciones que se mencionan a continuación.
6. LO QUE NO ESTA CUBIERTO POR ESTA GARANTIA:
  - A. Las garantías implícitas, incluyendo aquellas de comercialidad E IDONEIDAD PARA FINES PARTICULARES, ESTAN LIMITADOS A LO ESPECIFICADO EN EL PARRAFO DE DURACION. Si este producto es empleado para uso comercial, industrial o para renta, la garantía será aplicable por noventa (90) días a partir de la fecha de compra. En algunos estados no se permiten limitaciones a la duración de las garantías implícitas, por lo tanto, en tales casos esta limitación no es aplicable.
  - B. CUALQUIER PERDIDA DAÑO INCIDENTAL, INDIRECTO O CONSECUENTE QUE PUEDA RESULTAR DE UN DEFECTO, FALLA O MALFUNCIONAMIENTO DEL PRODUCTO CAMPBELL HAUSFELD. En algunos estados no se permite la exclusión o limitación de daños incidentales o consecuentes, por lo tanto, en tales casos esta limitación o exclusión no es aplicable
  - C. Cualquier falla que resulte de un accidente, abuso, negligencia o incumplimiento de las instrucciones de funcionamiento y uso indicadas en el (los) manual(es) que se adjunta(n) al producto. Dichos accidentes, abusos por parte del comprador, o falta de operar el producto siguiendo las instrucciones del manual de instrucciones suministrado también debe incluir la desconexión o modificación de los instrumentos de seguridad. Si dichos instrumentos de seguridad son desconectados, la garantía quedaría cancelada.
  - D. Los ajustes normales explicados en el(los) manual(es) suministrado(s) con el producto.
  - E. Los artículos o servicios que son necesarios normalmente para mantener el producto, p. ej. anillos en O, resortes, juntas, empaquetaduras o sellos, lubricantes, paletas del motor, mecanismos de impacto o cualquier otra pieza fungible no mencionada específicamente. Estos artículos solamente estarán cubiertos durante noventa (90) días a partir de la fecha de compra original. Los artículos subrayados están garantizados por defectos en el material y la mano de obra únicamente.
7. RESPONSABILIDADES DEL GARANTE BAJO ESTA GARANTIA: Según elija el Garante, la reparación o el reemplazo del producto o los componentes que estén defectuosos, que hayan funcionado en forma inadecuada y/o que no hayan cumplido con su función dentro de la duración del período específico de la garantía.
8. RESPONSABILIDADES DEL COMPRADOR BAJO ESTA GARANTIA:
  - A. Suministrar prueba fechada de compra y la historia de mantenimiento del producto.
  - B. Llame a Campbell Hausfeld (800) 543-6400 por sus opciones de servicio incluidas en la garantía. Los costos de flete correrán por cuenta del comprador.
  - C. Seguir las instrucciones sobre operación y mantenimiento del producto, tal como se indica(n) en el (los) manual(es) del propietario
9. CUANDO EFECTUARA EL GARANTE LA REPARACION O REEMPLAZO CUBIERTO BAJO ESTA GARANTIA: La reparación o reemplazo dependerá del flujo normal de trabajo del centro de servicio y de la disponibilidad de repuestos.

Esta garantía limitada es válida sólo en los EE.UU., Canadá y México y otorga derechos legales específicos. Usted también puede tener otros derechos que varían de un Estado a otro. o de un país a otro.