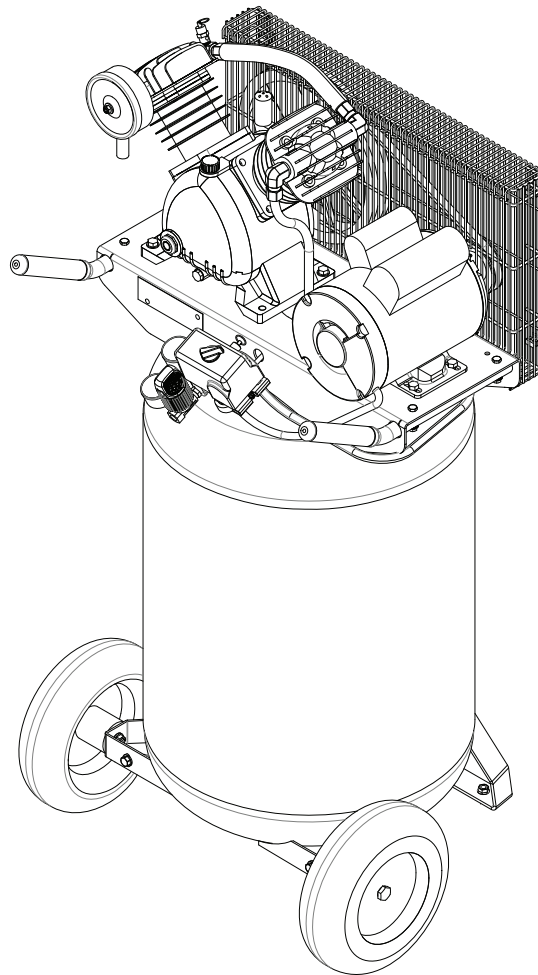




Electric Air Compressor

Operating Instructions and Parts Manual



Models: CE1000 and XC302100

EN



Please read and save these instructions. Read carefully before attempting to assemble, install, operate or maintain the product described.

Protect yourself and others by observing all safety information. Failure to comply with instructions could result in personal injury and/or property damage! Retain instructions for future reference.

REMINDER: Keep your dated proof of purchase for warranty purposes! Attach it to this manual or file it for safekeeping.

Model #: _____

Serial #: _____

Purchase Date: _____

For parts, product & service information
visit www.campbellhausfeld.com

Campbell Hausfeld
350 Embry Drive
Leitchfield, KY, 42754

REGISTER YOUR PRODUCT ONLINE NOW! www.campbellhausfeld.com/reg
READ AND FOLLOW ALL INSTRUCTIONS • SAVE THESE INSTRUCTIONS • DO NOT DISCARD



BEFORE YOU BEGIN

Description

Air compressor units are intended to provide compressed air to power pneumatic tools, operate spray guns and supply air for pneumatic valves and actuators. The pumps supplied with these units have oil lubricated bearings. A small amount of oil carryover is present in the compressed air stream. Applications requiring air free of oil vapor should have the appropriate filters installed. Any other use of these units will void the warranty and the manufacturer will not be responsible for problems or damages resulting from such misuse.

QUICK REFERENCE
Recommended Oil (2 Options)
Single viscosity SAE 30 ISO100 nondetergent compressor oil. Part number ST125303AV (0.5 qt) or ST126701AV (4 qt).
10W30 synthetic oil such as Mobil 1® or CE0032 (1 qt).
Oil Capacity
Approximately 15.2 oz.

UNPACKING

⚠ CAUTION *Do not lift or move unit without appropriately rated equipment. Be sure the unit is securely attached to lifting device used. Do not lift unit by holding onto tubes or coolers. Do not use unit to lift other attached equipment.*

After unpacking the unit, inspect carefully for any damage that may have occurred during transit. Check for loose, missing or damaged parts. Check to be sure all supplied accessories are enclosed with the unit. In case of questions, damaged or missing parts, please visit www.campbellhausfeld.com for customer assistance.

⚠ WARNING *Do not operate unit if damaged during shipping, handling or use. Damage may result in bursting and cause injury or property damage.*

Required Items - Not Included

- Air hose
- Pipe thread sealant

GENERAL SAFETY INSTRUCTIONS

Safety Guidelines

This manual contains information that is very important to know and understand. This information is provided for SAFETY and to PREVENT EQUIPMENT PROBLEMS. To help recognize this information, observe the following symbols.

⚠ DANGER

Danger indicates an imminently hazardous situation which, if not avoided, WILL result in death or serious injury.

⚠ WARNING

Warning indicates a potentially hazardous situation which, if not avoided, COULD result in death or serious injury.

⚠ CAUTION

Caution indicates a potentially hazardous situation which, if not avoided, MAY result in minor or moderate injury.

NOTICE

Notice indicates important information, that if not followed, may cause damage to equipment.

IMPORTANT or NOTE: Information that requires special attention.

Safety Symbols

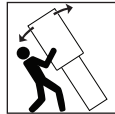
The following Safety Symbols appear throughout this manual to alert you to important safety hazards and precautions.



Wear Eye and Mask Protection



Read Manual First



Top Heavy



Risk of Fire



Risk of Moving Parts



Risk of Hot Parts



Risk of Explosion



Risk of Fumes



Risk of Pressure



Risk of Shock

California Proposition 65

⚠ WARNING

This product can expose you to chemicals including lead, which are known to the State of California to cause cancer and birth defects or other reproductive harm. For more information go to www.P65Warnings.ca.gov.



⚠ WARNING

You can create dust when you cut, sand, drill or grind materials such as wood, paint, metal, concrete, cement, or other masonry. This dust often contains chemicals known to cause cancer, birth defects, or other reproductive harm. Wear protective gear.

Illinois Lead Poisoning Prevention Act

⚠ WARNING

CONTAINS LEAD. MAY BE HARMFUL IF EATEN OR CHEWED. COMPLIES WITH FEDERAL STANDARDS.

Important Safety Information

Please read and save these instructions. Read carefully before attempting to assemble, install, operate or maintain the product described. Protect yourself and others by observing all safety information. Failure to comply with instructions could result in personal injury and/or property damage! Retain instructions for future reference.

This manual contains important safety, operational and maintenance information. If you have any questions, please visit www.campbellhausfeld.com for customer assistance.

⚠ DANGER

BREATHABLE AIR WARNING

This compressor/pump is not equipped and should not be used "as is" to supply breathing quality air. For any application of air for human consumption, the air compressor/pump will need to be fitted with suitable in-line safety and alarm equipment. This additional equipment is necessary to properly filter and purify the air to meet minimal specifications for Grade D breathing as described in Compressed Gas Association Commodity Specification G 7.1, OSHA 29 CFR 1910. 134, and/or Canadian Standards Associations (CSA).

DISCLAIMER OF WARRANTIES

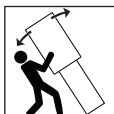
In the event the compressor is used for the purpose of breathing air application and proper in-line safety and alarm equipment is not simultaneously used, existing warranties shall be voided, and Campbell Hausfeld disclaims any liability whatsoever for any loss, personal injury or damage.

General Safety

Since the air compressor and other components (material pump, spray guns, filters, lubricators, hoses, etc.) used make up a high pressure pumping system, the following safety precautions must be observed at all times:



- Read all manuals included with this product carefully. Be thoroughly familiar with the controls and the proper use of the equipment.
- Follow all local electrical and safety codes as well as the United States National Electrical Codes (NEC) and Occupational Safety and Health Act (OSHA).
- Only persons well acquainted with these rules of safe operation should be allowed to use the compressor.
- Keep visitors away and NEVER allow children in the work area.
- Wear safety glasses and use hearing protection when operating the unit.
- Do not stand on or use the unit as a handhold.
- Before each use, inspect compressed air system and electrical components for signs of damage, deterioration, weakness or leakage. Repair or replace defective items before using.
- Check all fasteners at frequent intervals for proper tightness.



⚠ WARNING

This compressor is extremely top heavy. Use care when moving the unit around and make sure the unit is placed on flat surface when operating.

⚠ WARNING

Never install a shut-off valve between the compressor pump and the tank.



⚠ WARNING

Motors, electrical equipment and controls can cause electrical arcs that will ignite a flammable gas or vapor. Never operate or repair in or near a flammable gas or vapor. Never store flammable liquids or gases in the vicinity of the compressor.



⚠ WARNING

Never operate compressor without a beltguard. This unit can start automatically without warning. Personal injury or property damage could occur from contact with moving parts.

- Do not wear loose clothing or jewelry that will get caught in the moving parts of the unit.



⚠ CAUTION

Compressor parts may be hot even if the unit is stopped.

- Keep fingers away from a running compressor; fast moving and hot parts will cause injury and/or burns.

GENERAL SAFETY INSTRUCTIONS (CONTINUED)

- If the equipment should start to vibrate abnormally, STOP the engine/motor and check immediately for the cause. Vibration is generally an indication of trouble.
- To reduce fire hazard, keep engine/motor exterior free of oil, solvent, or excessive grease.

⚠ WARNING

An ASME code safety relief valve with a setting no higher than 200 PSI MUST be installed in the tank for this compressor. The ASME safety valve must have sufficient flow and pressure ratings to protect the pressurized components from bursting.

⚠ CAUTION

See compressor specifications for maximum operating pressure. Do not operate with pressure switch or pilot valves set higher than the maximum operating pressure.

⚠ WARNING

Maximum operating pressure is 175 PSI for single stage compressors. Do not operate with pressure switch or pilot valves set higher than 175 PSI (2-stage).

- Never attempt to adjust ASME safety valve. Keep safety valve free from paint and other accumulations.

⚠ WARNING

Never use plastic (PVC) pipe for compressed air. Serious injury or death could result.



⚠ WARNING

Never attempt to repair or modify a tank! Welding, drilling or any other modification will weaken the tank resulting in damage from rupture or explosion. Always replace worn, cracked or damaged tanks.

NOTICE

Drain liquid from tank daily.

- Tanks rust from moisture build-up, which weakens the tank. Make sure to drain tank regularly and inspect periodically for unsafe conditions such as rust formation and corrosion.
- Fast moving air will stir up dust and debris which may be harmful. Release air slowly when draining moisture or depressurizing the compressor system.

Spraying Precautions



⚠ WARNING

Do not spray flammable materials in vicinity of open flame or near ignition sources including the compressor unit.



- Do not smoke when spraying paint, insecticides, or other flammable substances.
- Use a face mask/respirator when spraying and spray in a well ventilated area to prevent health and fire hazards.
- Do not direct paint or other sprayed material at the compressor. Locate compressor as far away from the spraying area as possible to minimize overspray accumulation on the compressor.
- When spraying or cleaning with solvents or toxic chemicals, follow the instructions provided by the chemical manufacturer.

The **DANGER, WARNING, CAUTION, and NOTICE** notifications and instructions in this manual cannot cover all possible conditions and situations that may occur. It must be understood by the operator that caution is a factor which cannot be built into this product, but must be supplied by the operator.

**SAVE THESE INSTRUCTIONS
DO NOT DISCARD**

SPECIFICATIONS

	CE1000	XC302100
HP	2	2
Number of Cylinders	2	2
Number of Stages	2	2
Air Delivery @ 90 PSI	5.3 CFM	5.3 CFM
Voltage	120* Volts / 15 Amps 240 Volts / 7.5 Amps * <i>Factory wiring</i>	120* Volts / 15 Amps 240 Volts / 7.5 Amps * <i>Factory wiring</i>
Max Pressure	175 PSI	175 PSI
Oil Capacity	15.2 ounces	15.2 ounces
Tank Outlet Size	1/4 NPT	1/4 NPT
Weight	178 lbs.	178 lbs.

DIMENSIONS

	CE1000	XC302100
Length	23 inches	23 inches
Width	24 inches	24 inches
Height	46 inches	46 inches

GETTING TO KNOW YOUR UNIT

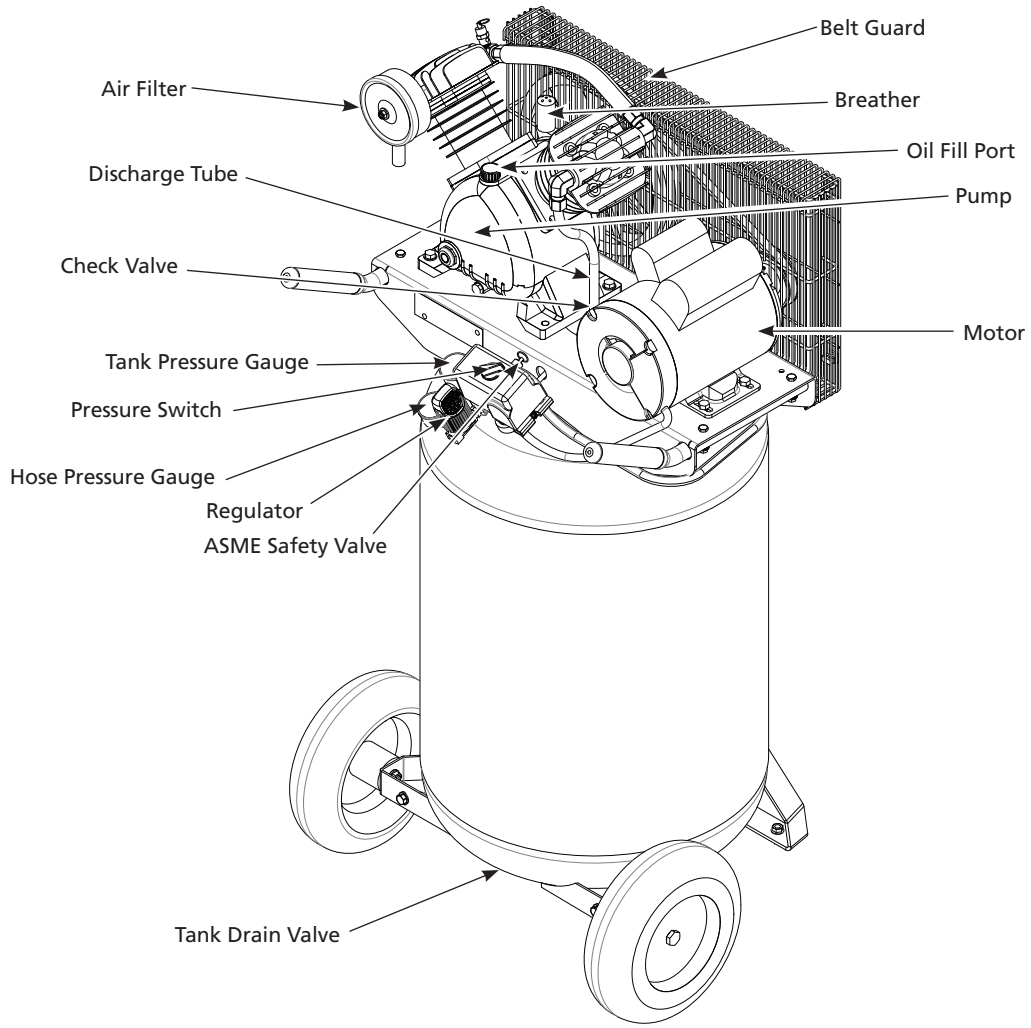


Figure 1 - Unit Identification

GETTING TO KNOW YOUR UNIT

Pressure Switch - Auto/Off Switch - In the auto position, the compressor shuts off automatically when tank pressure reaches the maximum preset pressure. After air is used from the tank and drops to a preset low level, the pressure switch automatically turns the motor back on. In the off position, the compressor will not operate. This switch should be in the off position when connecting or disconnecting the power from the unit.

When the pressure switch turns the motor off you will hear air leaking out of the pressure switch unloader valve for a short time. This releases the air pressure from the discharge tube and allows the compressor to restart easier.

ASME Safety Valve - This valve automatically releases air if the tank pressure exceeds the preset maximum.

Discharge Tube - This tube carries compressed air from the pump to the check valve. This tube becomes very hot during use. To avoid the risk of severe burns, never touch the discharge tube.

Check Valve - One-way valve that allows air to enter the tank, but prevents air in the tank from flowing back into the compressor pump.

Belt Guard - Covers the belt, motor pulley and flywheel.

Tank Drain Valve - This valve is located on the bottom of the tank. Use this valve to drain moisture from the tank daily to reduce the risk of corrosion.

Tank Pressure Gauge - Indicates amount of air pressure stored in tank.

Hose Pressure Gauge - Indicates amount of air pressure in hose used to operate tools. This pressure is increased or decreased by the regulator.

Regulator - The regulator controls the amount of air pressure released at the hose outlet.

Air Filter - Keeps large particulates out of the air flowing into the compressor.

Breather - Vent for crankcase.

Oil Fill Port - Port used to refill the oil in the pump after oil changes or when oil is low.

Pump - Cast Iron 2-Stage air compressor pump that generates compressed air.

Motor - Power source that drives the pump to create compressed air.

INSTALLATION INSTRUCTIONS



WARNING

Disconnect, tag and lock out power source then release all pressure from the system before attempting to install, service, relocate or perform any maintenance.

CAUTION

Do not lift or move unit without appropriately rated equipment. Be sure the unit is securely attached to lifting device used. Do not lift unit by holding onto tubes or coolers. Do not use unit to lift other attached equipment.

CAUTION

Never use the wood shipping skids for mounting the compressor.

NOTICE

This compressor is not intended for outdoor installation.

Preparation

Before beginning installation and/or assembly of product, make sure all parts are present. Compare parts with package contents list. If any part is missing or damaged, do not attempt to assemble or use the product.

WARNING

Do not operate unit if damaged during shipping, handling or use. Damage may result in bursting and cause injury or property damage.

Estimated Installation and Assembly Time: 20 minutes

Tools Required for Installation and Assembly (not included): Safety Glasses; Work Gloves; 9/16 in. Socket and Ratchet; Adjustable Wrench

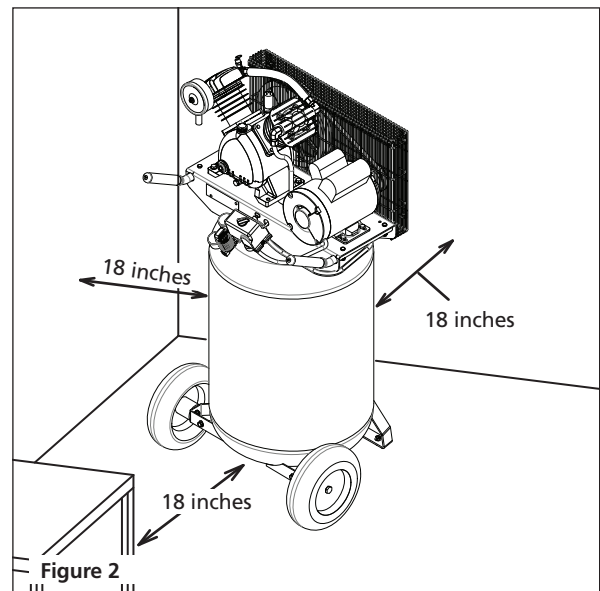
INSTALLATION INSTRUCTIONS (CONTINUED)

Picking the Location

Operate unit at least 18 inches from any obstructions in a clean, well ventilated area. The surrounding air temperature should not exceed 100° F. This will ensure an unobstructed flow of air to cool compressor and allow adequate space for maintenance.

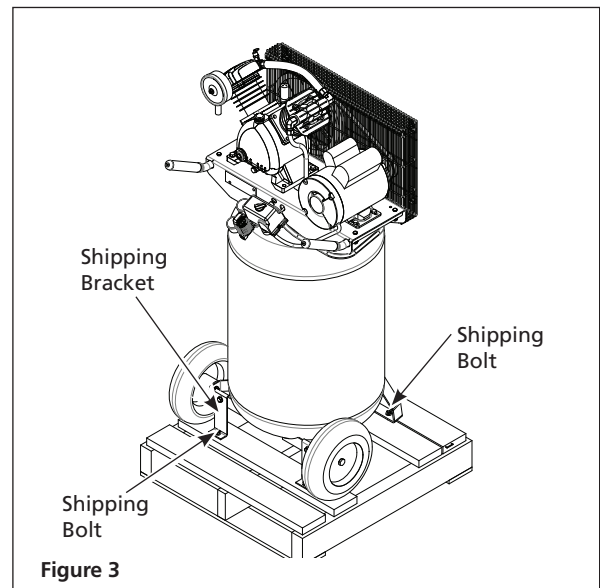
CAUTION Do not locate the compressor air inlet near steam, paint spray, sandblast areas or any other source of contamination.

NOTE: If compressor operates in a hot, moist environment, supply compressor pump with clean, dry outside air. Supply air should be piped in from external sources.

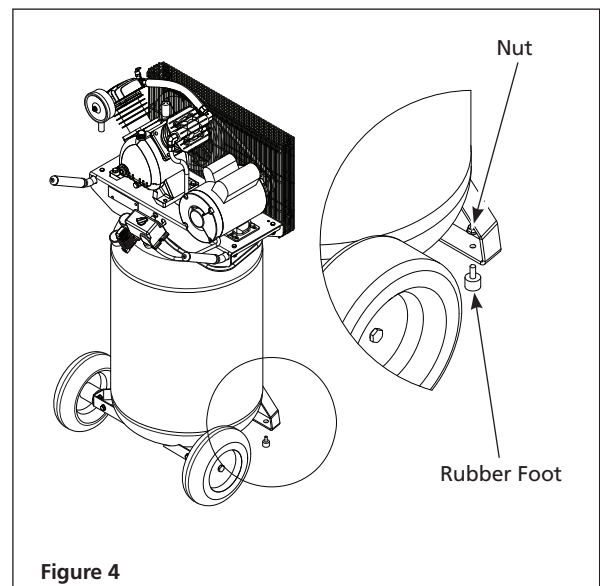


Assembly Instructions

1. Unbolt the unit from the shipping skid. Use a ratchet with a 9/16 in. socket. Remove the unit from the skid. Discard shipping hardware once removed. See Figure 3.



2. Install rubber feet with nuts and washers. See Figure 4.



3. Install air filter. See Figure 5.

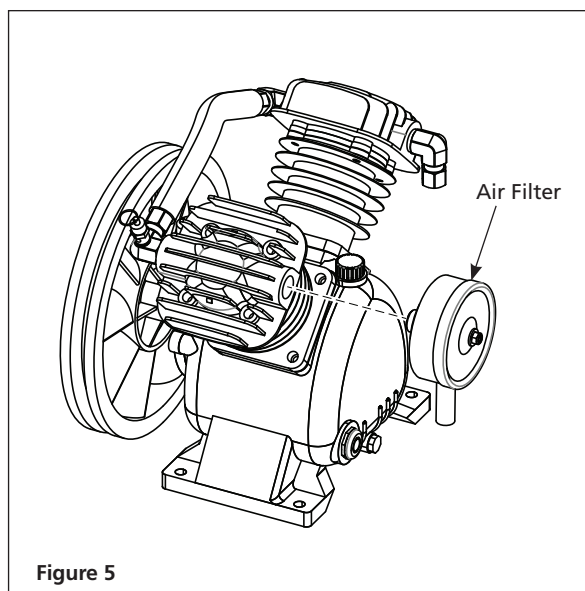


Figure 5

Lubrication

⚠ CAUTION This unit contains no oil. Before operating compressor, fill to the center of the sight gauge (see Figure 7).

⚠ CAUTION Using any other type of oil may shorten pump life and damage valves.

Recommended Oil (2 Options)
Single viscosity SAE 30 ISO100 nondetergent compressor oil. Part number ST125303AV (0.5 qt) or ST126701AV (4 qt).
10W30 synthetic oil such as Mobil 1® or CE0032 (1 qt).
Oil Capacity
Approximately 15.2 oz.

Remove oil fill plug on pump. Check oil level; some models are shipped with oil in the pump. Add oil if needed. Fill the pump with oil to the center of the sight gauge using oil fill opening (see Figure 7). Place oil fill plug back on pump. **Do NOT fill the pump through the breather cap opening as this may cause oil to leak and spray out during operation.**

Do not use regular automotive oil. Additives in regular motor oil can cause valve deposits and reduce pump life.

For maximum pump life, drain and replace oil after the first 50 hours of run time and then follow the regular maintenance schedule outlined later in the manual.

This pump has an oil sight glass as shown in Figure 6. Oil level can be monitored and maintained as shown in Figure 7.

NOTE: Some residual oil may still be in the pump from factory testing leaving a thin coat on the sight gauge; however, there is not enough oil to operate the unit.

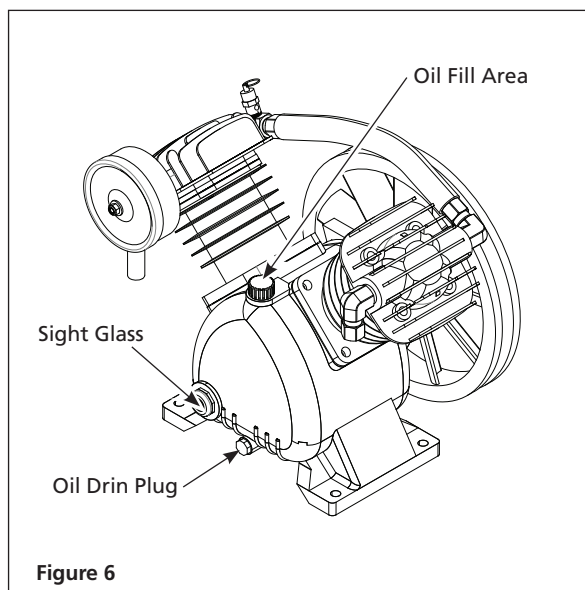


Figure 6

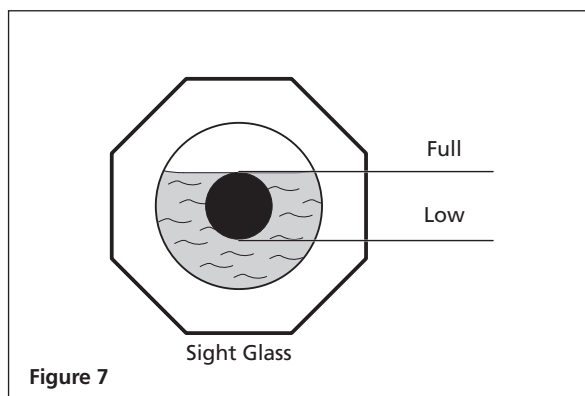


Figure 7

INSTALLATION INSTRUCTIONS (CONTINUED)

Electrical Information

⚠ DANGER

Improperly grounded motors are shock hazards. Make sure all the equipment is properly grounded.

⚠ WARNING

Improper installation of the grounding plug is able to result in a risk of electric shock. When repair or replacement of the cord or plug is required, do not connect the grounding wire to either flat blade terminal. The wire with insulation having an outer surface that is green with or without yellow stripes is the grounding wire.

⚠ WARNING

Overheating, short circuiting and fire damage will result from inadequate wiring.

⚠ WARNING

Disconnect, tag and lock out power source, then release all pressure from the system before attempting to install, service, relocate or perform any maintenance.

NOTICE

Damage to the motor from improper electrical voltage or connection will void the warranty.

DO NOT USE AN EXTENSION CORD, USE A LONGER AIR HOSE.

The 120 volt, 15 amp units can be operated on a 120 volt, 15 amp circuit under the following conditions:

1. No other electrical appliances or lights are connected to the same branch circuit.
2. Voltage is 120 Volts.
3. Circuit is equipped with a 15 amp circuit breaker or a 15 amp slow blow fuse type T (For Canada use Type D).
4. The length of copper wire between the outlet and circuit breaker is not longer than 40 ft. of 14 AWG or 70 ft. of 12 AWG.

Grounding

⚠ WARNING

Improperly grounded electrical components are shock hazards. Make sure all the components are properly grounded to prevent death or serious injury.

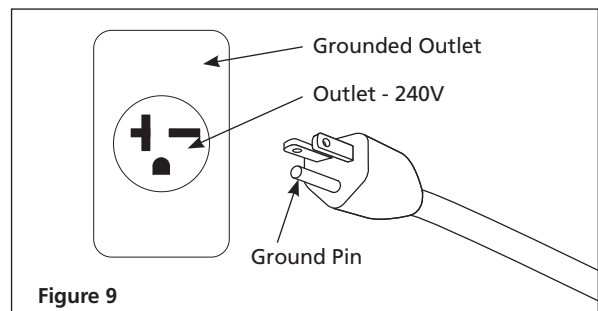
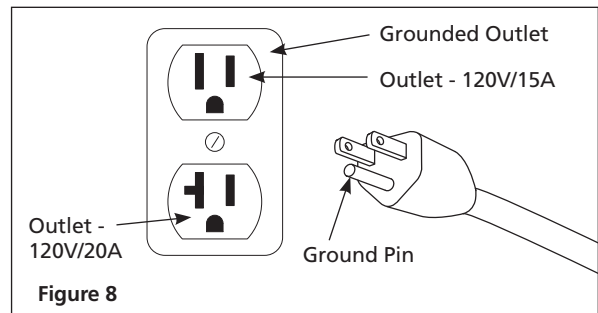
This product must be grounded. In the event of an electrical short circuit, grounding reduces the risk of electric shock by providing an escape wire for the electric current. This product is equipped with a cord having a grounding wire with an appropriate grounding plug. The plug must be plugged into an outlet that is properly installed and grounded in accordance with all local codes and ordinances. Do not use grounding adapter.

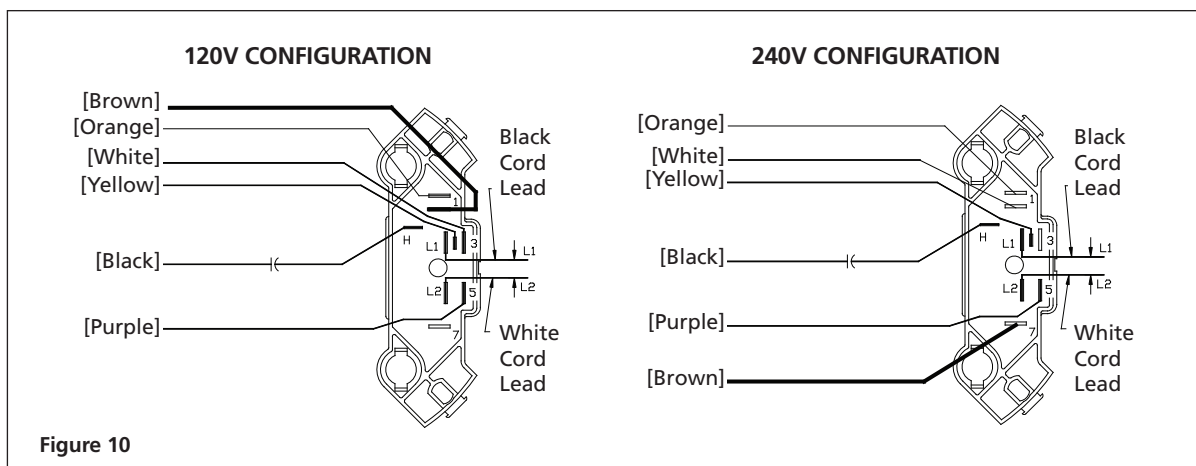
⚠ WARNING

Improper use of grounding plug can result in a risk of electrical shock. Plug must be plugged into an outlet that is properly installed and grounded in accordance with local codes and ordinances by a qualified electrician.

This product comes from the factory ready for use on a nominal 120 volt circuit and has a grounding plug similar to the plug illustrated in Figure 8. If the listed conditions cannot be met or if nuisance tripping of the current protection device occurs, it may be possible to operate the compressor from a 120 volt 20 amp circuit. See Figure 8.

Check motor data plate for 240 volt compatibility. A 240 volt unit must be operated on a 240 volt circuit. The cord must only plug into a 240 volt grounded outlet and may require a new cord and plug. See Figure 9. This product may be modified to operate at 240V. To do so, a 240V power cord needs to be purchased and installed on the unit and wired into the pressure switch just like the 120V cord. The panel on the back of the motor needs to be opened and the flag terminals need to be moved so that the brown wire that is on terminal #1 is on terminal #7 and the white wire that is on terminal #3 needs to be moved to terminal #1 (where the brown wire was originally). See Figure 10.



**⚠ WARNING**

All wiring and electrical connections should be performed by a qualified electrician. Installation must be in accordance with local codes and national electrical codes. If not properly grounded, this tool can cause an electrical shock, particularly when used in damp locations, in proximity of plumbing, outdoors.

⚠ WARNING

Installation of grounding plug can result in electric shock. When repair or replacement of the cord or plug is required, do not connect the grounding wire to either flat blade terminal. The wire with insulation having an outer surface that is green with or without yellow stripes is the grounding wire. Never connect green (or green and yellow) wire to a live terminal.

Check with a qualified electrician or serviceman when the grounding instructions are not completely understood, or when in doubt as to whether the product is properly grounded. Do not modify the plug provided; if it does not fit the outlet, have the proper outlet installed by a qualified electrician. Only connect the product to an outlet having the same configuration as the plug. Do not use an adapter with this product.

OPERATING INSTRUCTIONS

Start-up/Break-in Procedure

WARNING

Do not attach air tools to open end of the hose until start-up is completed and the unit checks okay.

WARNING

Never disconnect threaded joints with pressure in tank!

1. Check oil level per the Lubrication Section of this manual.
2. Open the bottom tank drain valve (see Figure 11). Turn outlet valve to open air flow.
3. Plug unit in.
4. Move pressure switch to the **AUTO** position to run the unit (see Figure 12).
5. Run the unit for thirty (30) minutes at zero (0) PSI (under no load) to break in pump parts.
6. Move the pressure switch lever or knob to **OFF** and turn tank drain valve to shut off air flow. The compressor is now ready for use.
7. Change oil after first fifty (50) hours of operation. Perform oil changes every three (3) months or two hundred (200) hours of run time, whichever comes first.

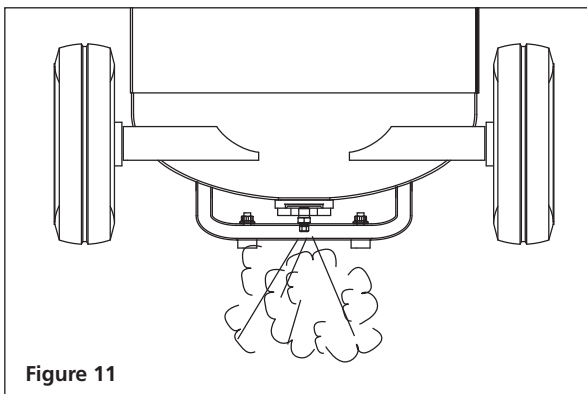


Figure 11

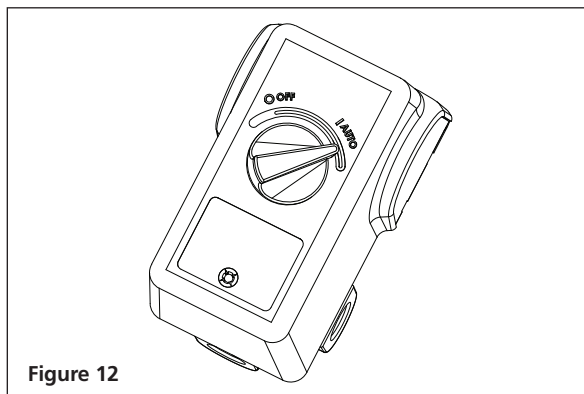


Figure 12

Compressor Use

It is extremely important to operate the compressor in a clean, well-ventilated area where the surrounding air temperature will not be more than 100°F. Do not locate the compressor air inlet near steam, paint spray, sandblast areas or any other source of contamination.

On/Off Cycling of Compressor

WARNING

Drain tank every day to prevent corrosion and possible injury due to tank damage. Do not operate drain with more than 40 PSI in tank or drain valve may be damaged. Drain tank of moisture daily using the drain valve in the bottom of the tank.

NOTICE

Drain liquid from tank daily.

In the **AUTO** position, the compressor pumps air into the tank. When a shut-off (preset "cut-out") pressure is reached, the compressor automatically shuts off.

If the compressor is left in the **AUTO** position and air is depleted from the tank by use of a tire chuck, tool, etc., the compressor will restart automatically at its preset "cut-in" pressure. When a tool is being used continuously, the compressor will cycle on and off automatically.

In the **OFF** position, the compressor will not operate.

MOISTURE IN COMPRESSED AIR

Moisture in compressed air will form into droplets as it comes from an air compressor pump. When humidity is high or when a compressor is in continuous use for an extended period of time, this moisture will collect in the tank. When using a paint spray or sandblast gun, this water will be carried from the tank through the hose, and out of the gun as droplets mixed with the spray material.

IMPORTANT: This condensation will cause water spots in a paint job, especially when spraying other than water based paints. If sandblasting, it will cause the sand to cake and clog the gun, rendering it ineffective. A filter in the air line, located as near to the gun as possible, will help eliminate this moisture.

NOTES

TROUBLESHOOTING GUIDE

SYMPTOM	POSSIBLE CAUSE(S)	CORRECTIVE ACTION
Low discharge pressure	<ol style="list-style-type: none"> 1. Air demand exceeds pump capacity 2. Air leaks (fittings, tubing on compressor, or plumbing outside of system). 3. Restricted air intake 4. Blown gaskets 5. Leaking or damaged valves 	<ol style="list-style-type: none"> 1. Reduce air demand or use a compressor with more capacity. 2. Listen for escaping air. Apply soap solution to all fittings and connections. Bubbles will appear at points of leakage. Tighten or replace leaking fittings or connections. Use pipe thread sealant. 3. Clean or replace the air filter element. 4. Replace any gaskets proven faulty on inspection. 5. Remove head and inspect for valve breakage, misaligned valves, damaged valve seats, etc. Replace defective parts and reassemble.
		<div style="border: 1px solid black; padding: 2px;">⚠ CAUTION <i>Install a new head gasket each time the head is removed.</i></div>
Excessive noise (knocking)	<ol style="list-style-type: none"> 1. Loose motor pulley or flywheel. 2. Loose fasteners on pump or motor. 3. Lack of oil in crankcase 4. Worn connecting rod 5. Worn piston pin bores 6. Piston hitting the valve plate 7. Noisy check valve in compressor system 	<ol style="list-style-type: none"> 1. Tighten pulley / flywheel clamp bolts and set-screws. 2. Tighten fasteners. 3. Check for proper oil level; if low, check for possible damage to bearings. Dirty oil can cause excessive wear. 4. Replace connecting rod. Maintain oil level and change oil more frequently. 5. Remove piston assemblies from the compressor and inspect for excess wear. Replace excessively worn piston pin or pistons, as required. Maintain oil level and change oil more frequently. 6. Remove the compressor head and valve plate and inspect for carbon deposits or other foreign matter on top of piston. Replace head and valve plate using new gasket. See Lubrication section for recommended oil. 7. Replace check valve.
		<div style="border: 1px solid black; padding: 2px;">⚠ DANGER <i>Do not disassemble check valve with air pressure in tank.</i></div>
Large quantity of oil in the discharge air NOTE: In an oil lubricated compressor there will always be a small amount of oil in the air stream.	<ol style="list-style-type: none"> 1. Worn piston rings 2. Compressor air intake restricted 3. Excessive oil in compressor 4. Wrong oil viscosity 	<ol style="list-style-type: none"> 1. Replace with new rings. Maintain oil level and change oil more frequently. 2. Clean or replace filter. Check for other restrictions in the intake system. 3. Drain down to full level. 4. Use Mobil 1® 10W-30 or full synthetic.
Water in discharge air/tank	Normal operation. The amount of water increases with humid weather	<ol style="list-style-type: none"> 1. Drain tank more often. At least daily. 2. Add a filter to reduce the amount of water in the air line.

TROUBLESHOOTING GUIDE

SYMPTOM	POSSIBLE CAUSE(S)	CORRECTIVE ACTION
Motor hums and runs slowly or not at all.	<ol style="list-style-type: none"> Low voltage. Use of extension cord. Too many devices on same circuit. Loose electrical connections. Malfunctioning pressure switch - contacts will not close. Malfunctioning check valve. Defective unloader valve on pressure switch. Defective motor capacitor(s). Defective motor. 	<ol style="list-style-type: none"> Check incoming voltage. It should be approximately 120 volts. Low voltage could be due to wires (from breaker/fuse to outlet) being too small in diameter and / or too long. Have a qualified electrician check these conditions and make repairs as needed. Do not use an extension cord. Use longer air hose with larger diameter. Limit the circuit to the use of compressor only. Check all electrical connections. Replace pressure switch. Replace check valve. ⚠ DANGER <i>Do not disassemble check valve with air pressure in tank.</i> Replace unloader valve. Replace capacitor(s). Replace motor.
Reset mechanism cuts out repeatedly or circuit breaker trips repeatedly.	<ol style="list-style-type: none"> Lack of proper ventilation / room temperature too high. Too many devices on same circuit. Restricted air intake. Loose electrical connection. Pressure switch shut-off pressure set too high. Low voltage. Malfunctioning check valve. Defective unloader valve on pressure switch. Defective motor capacitor(s). Malfunctioning motor. 	<ol style="list-style-type: none"> Move compressor to well-ventilated area. Limit the circuit to the use of only the air compressor. Clean or replace filter element. Check all electrical connections. Replace pressure switch. Check incoming voltage. It should be approximately 120 volts. Low voltage could be due to wires (from breaker/fuse to outlet) being too small in diameter and / or too long. Have a qualified electrician check these conditions and make repairs as needed. Replace check valve. ⚠ DANGER <i>Do not disassemble check valve with air pressure in tank.</i> Replace unloader valve. Replace capacitor(s). Replace motor.
Tank does not hold pressure when compressor is off and the shut off valve is closed.	<ol style="list-style-type: none"> Air leaks (fittings, tubing on compressor, or plumbing outside system). Worn check valve. Check tank for cracks or pin holes. 	<ol style="list-style-type: none"> Check all connections with soap and water solution. Tighten; or remove and apply sealant to threads, then reassemble. Replace check valve. ⚠ DANGER <i>Do not disassemble check valve with air pressure in tank.</i> Replace tank. Never repair a damaged tank.
Pressure switch continuously blows air out the unloader valve	Malfunctioning check valve	<p>Replace the check valve if the unloader valve on the pressure switch bleeds off constantly when unit shuts off.</p> <p>⚠ DANGER <i>Do not disassemble check valve with air pressure in tank.</i></p>
Pressure switch does not release air when the unit shuts off	Malfunctioning unloader valve on pressure switch	<p>Replace the pressure switch if it does not release the pressure for a short period of time when the unit shuts off.</p> <p>⚠ DANGER <i>Do not disassemble pressure switch with air pressure in tank</i></p>
Excessive vibration	<ol style="list-style-type: none"> Loose fasteners on pump or motor Belt needs replaced Belt alignment 	<ol style="list-style-type: none"> Tighten fasteners. Replace with correct size. Align flywheel and pulley.

MAINTENANCE AND INSPECTION INSTRUCTIONS



⚠ WARNING

Disconnect, tag and lock out power source then release all pressure from the system before attempting to install, service, relocate or perform any maintenance.

All repairs should be performed by an authorized service representative.

Disconnect power cord plug from power source receptacle. Clean debris from motor, flywheel, tank, air lines and pump cooling fins.

In order to maintain efficient operation of the compressor system, check the air filter and oil level before each use. The ASME safety valve should also be checked daily (see Figure 13). Pull ring on safety valve and allow the ring to snap back to normal position. This valve automatically releases air if the tank pressure exceeds the preset maximum. If air leaks after the ring has been released, or the valve is stuck and cannot be actuated by the ring, the ASME safety valve must be replaced.

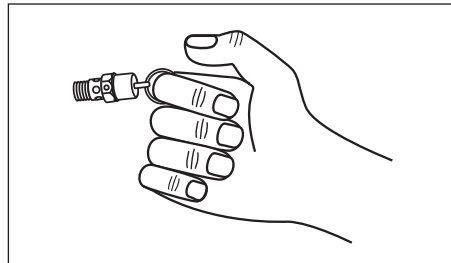


Figure 13 - ASME Safety Valve

⚠ WARNING

Do not tamper with the ASME safety valve.



Tank

⚠ WARNING

Never attempt to repair or modify a tank! Welding, drilling or any other modification will weaken the tank resulting in damage from rupture or explosion. Always replace worn, cracked or damaged tanks.

NOTICE

Drain liquid from tank daily.

Drain Tank: Disconnect, tag and lock out power source; release pressure. Drain moisture from tank by opening drain valve underneath tank once tank pressure is less than 40 PSI (See Figure 11 on page 12).

The tank should be carefully inspected at a minimum of once a year. Look for cracks forming near the welds. If a crack is detected, remove pressure from tank immediately and replace.

Compressor Lubrication

See Installation. Add oil as required. The oil should be changed every three months or after every 200 hours of operation; whichever comes first.

If the compressor is run under humid conditions for short periods of time, the humidity will condense in the crankcase and cause the oil to look creamy. Oil contaminated by condensed water will not provide adequate lubrication and must be changed immediately. Using contaminated oil will damage bearings, pistons, cylinders and rings and is not covered under warranty. To avoid water condensation in the oil, periodically run the compressor with tank pressure near 120 PSI for 2-stage compressors by opening the drain cock or an air valve connected to the tank or hose. Run the pump for an hour at a time at least once a week or more often if the condensation reoccurs.

IMPORTANT: Change oil after first 50 hours of operation.

Air Filter

Never run the compressor pump without an intake air filter or with a clogged intake air filter. The air filter element should be checked monthly (see Figure 14). Operating compressor with a dirty filter can cause high oil consumption and increase oil contamination in the discharge air. If the air filter is dirty it must be replaced.

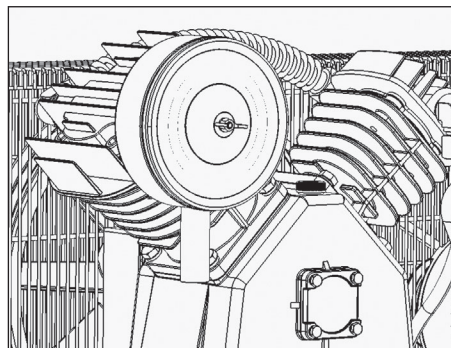


Figure 14

Belts

⚠ WARNING

Lock out and tag the power then release all pressure from the tank to prevent unexpected movement of the unit.

Check belt tension every 3 months. Adjust belt tension to allow 3/8 inch to 1/2 inch deflection with normal thumb pressure. Also, align belts using a straight edge against the face of the flywheel and touching the rim on both sides of the face. The belts should be parallel to this straight edge (see Figure 15). Dimension A should be the same as B and C to ensure proper alignment of the belts.

Slots in the bed-plate allow for sliding the motor back and forth to adjust belt tension.

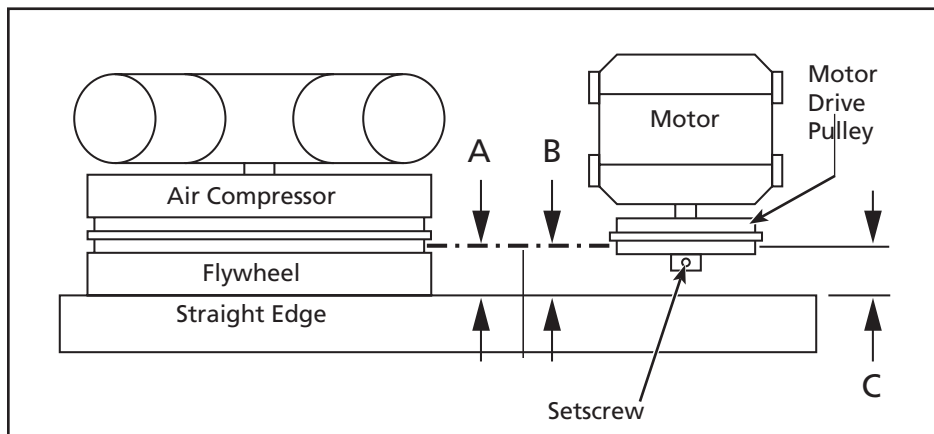


Figure 15 - Top View

Removing Belt Guard

⚠ WARNING

When removing belt guard front to inspect or replace belts, inspect plastic retaining clips and replace if damaged or if clip can be removed without a tool.

Removing Retaining Clips

1. Using crescent wrench on pliers, rotate clip 90°.
2. Pull clip out and away from beltguard.
3. Reverse process to reinstall after inspecting the clip.

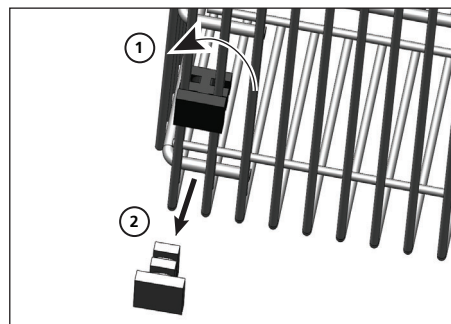


Figure 16

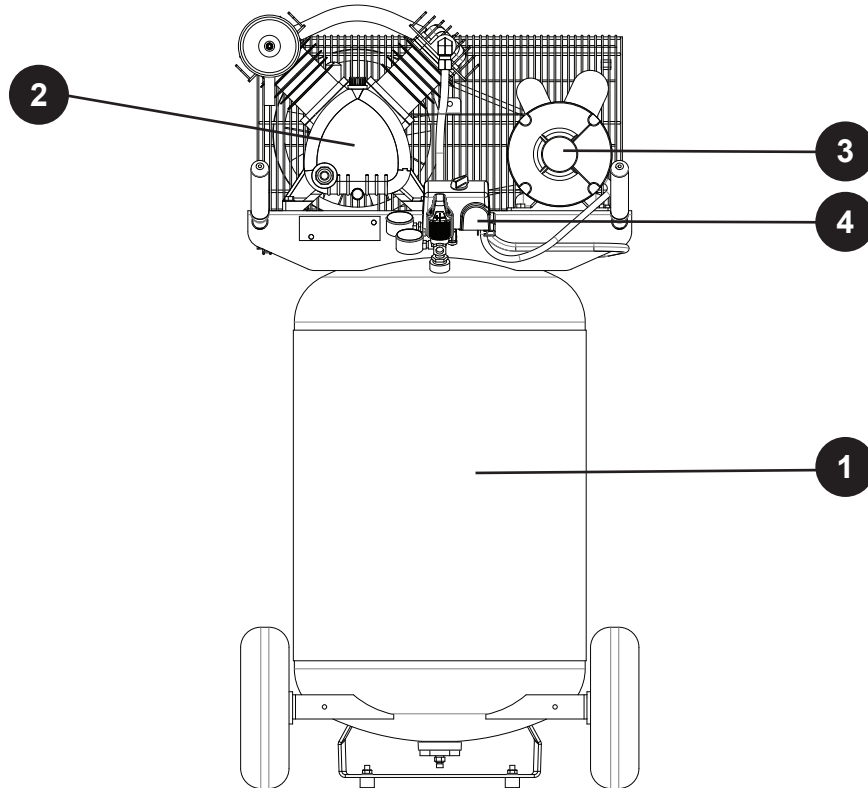
Storage

If compressor is to be stored for a short period of time, make sure that it is stored in a normal position and in a cool protected area.

OPERATION	MAINTENANCE SCHEDULE			
	DAILY	WEEKLY	MONTHLY	3 MONTHS
Check Oil Level	●			
Drain Tank	●			
Check Air Filter		●		
Check Safety Valve		●		
Clean Unit			●	
Check Belt Tightness			●	
Change Oil*				●

* Change oil after first fifty (50) hours of operation then perform oil changes every three (3) months or two hundred (200) hours of run time, whichever comes first.

REPAIR PARTS ILLUSTRATION FOR CE1000 AND XC302100



**For Repair Parts, visit www.campbellhausfeld.com
24 hours a day – 365 days a year**

Please provide following information:

- Model number
- Serial number (if any)
- Part description and number as shown in parts list

REPAIR PARTS LIST FOR CE1000 AND XC302100

Ref. No.	Description	Part Number:	Qty.
1	30 GALLON TANK	AR068300CG	1
2	2HP 2-STAGE RECIPROCATING PUMP	XC002200IP	1
3	2HP ELECTRIC MOTOR	MC019800IP	1
4	PRESSURE SWITCH	CW214300AV	1

UNIT SERVICE PARTS

Description	Part Number:	Qty.
DRAIN VALVE	SR060513SV	1
MOTOR PULLEY	PU019200AV	1
VEE BELT	BT021501AV	1
WHEEL KIT	WA900000SV	1
CHECK VALVE/EXHAUST TUBE KIT	XC000800SV	1
PRESSURE SWITCH KIT	MY000900SV	1
HANDLE KIT	HL041900SV	1
BELT GUARD KIT	BG900000SV	1

PUMP SERVICE PARTS

Description	Part Number:	Qty.
Valve Replacement Kit	XC000200AV	1
Ring Replacement Kit	XC000300AV	1
Gasket Kit	XC000500AV	1
Flywheel	XC000600AV	1
Pump Accessories	XC000700AV	1
Air Filter Element	VH901800AV	1



Reminder: Keep your dated proof of purchase for warranty purposes! Attach it to this manual or file it for safekeeping.

LIMITED WARRANTY

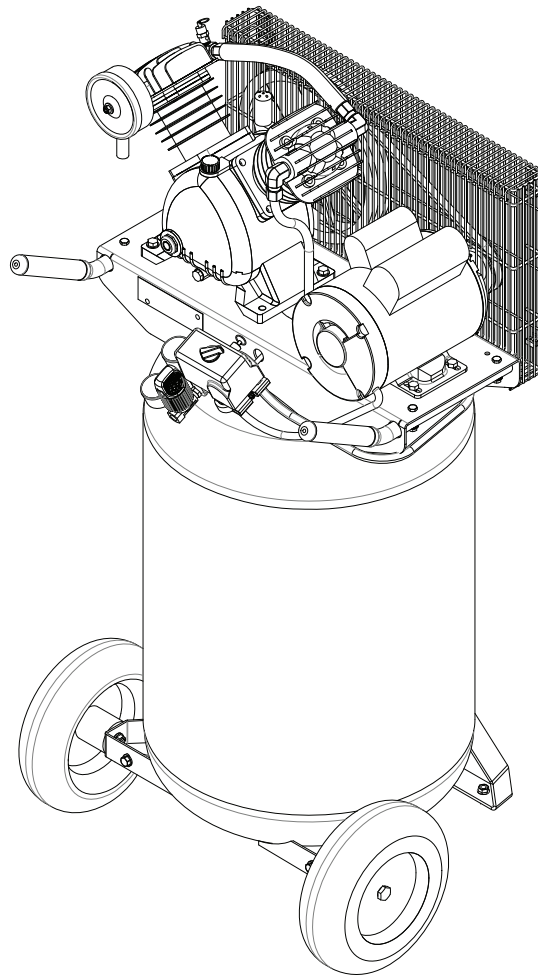
1. **DURATION:** From the date of purchase by the original purchaser as follows: Three Years.
2. **WHO GIVES THIS WARRANTY:** Campbell Hausfeld a Marmon/Berkshire Hathaway Company, 350 Embury Drive, Leitchfield, KY, 42754. Visit www.campbellhausfeld.com.
3. **WHO RECEIVES THIS WARRANTY (PURCHASER):** The original purchaser (other than for purposes of resale) of the compressor.
4. **WHAT PRODUCTS ARE COVERED BY THIS WARRANTY:** This air compressor.
5. **WHAT IS COVERED UNDER THIS WARRANTY:** Parts and Labor to remedy substantial defects due to material and workmanship during the first year of ownership with the exceptions noted below. Parts only to remedy substantial defects due to material and workmanship during remaining term of coverage with exceptions noted below.
6. **WHAT IS NOT COVERED UNDER THIS WARRANTY:**
 - A. Implied warranties, including those of merchantability and FITNESS FOR A PARTICULAR PURPOSE ARE LIMITED FROM THE DATE OF ORIGINAL PURCHASE AS STATED IN THE DURATION. Some States do not allow limitations on how long an implied warranty lasts, so the above limitations may not apply to you
 - B. ANY INCIDENTAL, INDIRECT, OR CONSEQUENTIAL LOSS, DAMAGE, OR EXPENSE THAT MAY RESULT FROM ANY DEFECT, FAILURE, OR MALFUNCTION OF THE CAMPBELL HAUSFELD PRODUCT. Some States do not allow the exclusion or limitations of incidental or consequential damages, so the above limitation or exclusion may not apply to you.
 - C. Any failure that results from an accident, purchaser's abuse, neglect or failure to operate products in accordance with instructions provided in the owner's manual(s) supplied with compressor.
 - D. Pre-delivery service, e.g. assembly, oil or lubricants, and adjustment.
 - E. Items or service that is normally required to maintain the product, i.e. lubricants, filters and gaskets, etc.
 - F. Additional items not covered under this warranty:
 1. Excluded items pertaining to All Compressors
 - a. Any component damaged in shipment or any failure caused by installing or operating unit under conditions not in accordance with installation and operation guidelines or damaged by contact with tools or surroundings.
 - b. Pump or valve failure caused by rain, excessive humidity, corrosive environments or other contaminants.
 - c. Cosmetic defects that do not interfere with compressor functionality.
 - d. Rusted tanks, including but not limited to rust due to improper drainage or corrosive environments.
 - e. The following components are considered normal wear items and are not covered after the first year of ownership. Electric motor, check valve, pressure switch, regulator, pressure gauges, hose, tubing, pipe, fittings and couplers, screws, nuts, hardware items, belts, pulleys, flywheel, air filter and housing, gaskets, seals, oil leaks, air leaks, oil consumption or usage, piston rings.
 - f. Tank drain valves.
 - g. Damage due to incorrect voltage or improper wiring.
 - h. Other items not listed but considered general wear parts.
 - i. Pressure switches, air governors, load/unload devices, throttle control devices and safety valves modified from factory settings.
 - j. Damage from inadequate filter maintenance.
 - k. Induction motors operated with electricity produced by a generator.
 2. Excluded items specific to Lubricated Compressors:
 - a. Pump wear or valve damage caused by using oil not specified.
 - b. Pump wear or damage caused by any oil contamination.
 - c. Pump wear or damage caused by failure to follow proper oil maintenance guidelines, operation below proper oil level or operation without oil.
 - G. Labor, service call, or transportation charges after the first year of ownership of stationary compressors. Stationary compressors are defined as not including a handle or wheels.
7. **RESPONSIBILITIES OF WARRANTOR UNDER THIS WARRANTY:** Repair or replace, at Warrantor's option, compressor or component which is defective, has malfunctioned and/or failed to conform within the duration of the specific warranty period.
8. **RESPONSIBILITIES OF PURCHASER UNDER THIS WARRANTY:**
 - A. Provide dated proof of purchase and maintenance records.
 - B. Visit www.campbellhausfeld.com to obtain your warranty service options. Freight costs must be borne by the purchaser.
 - C. Use reasonable care in the operation and maintenance of the products as described in the owner's manual(s).
 - D. Repairs requiring overtime, weekend rates, or anything beyond the standard manufacturer warranty repair labor reimbursement rate.
 - E. Time required for any security checks, safety training, or similar for service personnel to gain access to facility.
 - F. Location of unit must have adequate clearance for service personnel to perform repairs and be easily accessible.
9. **WHEN WARRANTOR WILL PERFORM REPAIR OR REPLACEMENT UNDER THIS WARRANTY:** Repair or replacement will be scheduled and serviced according to the normal work flow at the servicing location, and depending on the availability of replacement parts.

This Limited Warranty applies in the U.S., Canada and Mexico only and gives you specific legal rights. You may also have other rights which vary from state to state or country to country.



Compresseur d'air électrique

Instructions d'Utilisation et Manual de Pièces



Modèles: CE1000 et XC302100

FR



Lire et conserver ces instructions. Il faut les lire attentivement avant de commencer à assembler, installer, faire fonctionner ou entretenir l'appareil décrit.

Pour se protéger et protéger autrui, observer toutes les informations sur la sécurité. Négliger d'appliquer ces instructions peut causer des blessures et/ou des dommages matériels! Conserver ces instructions pour consultation ultérieure.

RAPPEL : Conservez votre preuve d'achat datée aux fins de garantie! Attachez-le à ce manuel ou classez-le pour le garder en sécurité.

N° de modèle : _____

N° de série : _____

Date d'achat : _____

Pour de l'information sur les pièces, produits et services veuillez visiter www.campbellhausfeld.com

Campbell Hausfeld
350 Embry Drive
Leitchfield, KY, 42754

ENREGISTREZ VOTRE PRODUIT EN LIGNE MAINTENANT ! www.campbellhausfeld.com/reg
LIRE ET SUIVRE TOUTES LES INSTRUCTIONS • CONSERVER CES INSTRUCTIONS • NE PAS JETER



AVANT DE COMMENCER

Description

Les unités de compresseur d'air ont été conçues pour fournir de l'air comprimé aux outils électriques pneumatiques, faire fonctionner les pistolets de pulvérisation et approvisionner en air les soupapes et actionneurs pneumatiques. Les pompes alimentées par ces unités comportent des roulements lubrifiés à l'huile. Un faible contenu en huile est présent dans le flux d'air comprimé. Les applications nécessitant de l'air sans vapeurs d'huile devraient disposer de filtres adéquats déjà installés. Toute autre utilisation de ces unités annulera la garantie et le fabricant ne sera pas tenu responsable des problèmes ou dommages résultant de cette mauvaise utilisation.

RÉFÉRENCE RAPIDE
Huile recommandée (2 Options)
Huile de compresseur non détergente SAE 30 ISO100 à viscosité unique. Numéro de pièce ST125303AV (0,47 L) ou ST126701AV (3,79 L).
Huile synthétique 10W30 telle que Mobil 1® ou CE0032 (0,95 L).
Capacité D'Huile
Environ 449.46 mL

DÉBALLAGE

⚠ ATTENTION *Ne pas soulever ni déplacer le modèle sans équipement convenable et s'assurer que le modèle soit bien fixé à l'appareil de levage. Ne pas soulever le modèle avec les tuyaux ou les refroidisseurs. Ne pas utiliser le modèle pour soulever d'autre équipement qui est attaché au compresseur.*

Dès que l'appareil est déballé, l'inspecter attentivement pour tout signe de dommages en transit. Vérifier s'il y a des pièces desserrées, manquantes ou endommagées. Vérifier pour s'assurer que tous les accessoires fournis sont inclus avec l'appareil. Pour toutes questions, pièces endommagées ou manquantes, veuillez visiter www.campbellhausfeld.com pour l'assistance à la clientèle.

⚠ AVERTISSEMENT *Ne pas utiliser un modèle qui a été endommagé pendant le transport, la manipulation ou l'utilisation. Le dommage peut résulter en explosion et peut causer des blessures ou dégâts matériels.*

Articles requis - non inclus

- Tuyau à air
- Enduit d'étanchéité pour filetage de tuyau

INSTRUCTIONS GÉNÉRALES DE SÉCURITÉ

Directives De Sécurité

Ce manuel contient de l'information très importante qui est fournie pour la SÉCURITÉ et pour ÉVITER LES PROBLÈMES D'ÉQUIPEMENT. Rechercher les symboles suivants pour cette information.

- ⚠ DANGER** *Danger indique une situation dangereuse imminente qui MÈNERA à la mort ou à des blessures graves si elle n'est pas évitée.*
- ⚠ AVERTISSEMENT** *Avertissement indique une situation potentiellement dangereuse qui, si elle n'est pas évitée, POURRAIT mener à la mort ou à de graves blessures.*
- ⚠ ATTENTION** *Attention indique une situation potentiellement dangereuse qui, si elle n'est pas évitée, PEUT mener à des blessures mineures ou modérées.*
- AVIS** *Avis indique de l'information importante qui pourrait endommager l'équipement si elle n'est pas respectée.*

IMPORTANT ou **REMARQUE** : Information qui exige une attention spéciale.

Symboles De Sécurité

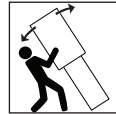
Les symboles de sécurité suivants apparaissent dans l'ensemble de ce manuel pour vous aviser des dangers et précautions importants de sécurité.



Porter une protection oculaire d'abord et un masque



Lire le manuel d'abord



Trop lourd du haut



Risque d'incendie



Risque de pièces mobiles



Risque de pièces chaudes



Risque d'explosion



Risques de fumées



Risque de pression



Risque de choc

Proposition 65 de Californie

⚠ AVERTISSEMENT *Ce produit peut vous exposer à des produits chimiques incluant le plomb, connus par l'état de la Californie comme pouvant causer le cancer, des anomalies congénitales ou d'autres troubles de la reproduction. Pour plus d'informations, rendez-vous sur le site www.P65Warnings.ca.gov.*



⚠ AVERTISSEMENT *Vous pouvez créer de la poussière en coupant, ponçant, perçant ou meulant les matériaux tels que le bois, la peinture, le métal, le béton, le ciment ou autre maçonnerie. Cette poussière contient souvent des produits chimiques reconnus pour causer le cancer, les déformations congénitales.*

Illinois Lead Poisoning Prevention Act (Loi sur la prévention de l'empoisonnement au plomb de l'État de l'Illinois)

⚠ AVERTISSEMENT *CONTIENT DU PLOMB. PEUT ÊTRE NOCIF SI INGÉRÉ OU MÂCHÉ. RESPECTE LES NORMES FÉDÉRALES.*

Importantes Instructions de Sécurité

S'il vous plaît lire et conserver ces instructions. Lire attentivement avant de monter, installer, utiliser ou de procéder à l'entretien du produit décrit. Se protéger ainsi que les autres en observant toutes les instructions de sécurité, sinon, il y a risque de blessure et/ou dégâts matériels! Conserver ces instructions comme référence.

Ce manuel contient des informations concernant la sécurité, le fonctionnement et l'entretien. Si vous avez des questions, veuillez visiter www.campbellhausfeld.com pour l'assistance à la clientèle.

⚠ DANGER

AVERTISSEMENT D'AIR RESPIRABLE

Ce compresseur/pompe n'est pas équipé pour et ne devrait pas être utilisé "comme soi" pour fournir de l'air respirable. Pour les applications d'air pour la consommation humaine, il est nécessaire d'équiper le compresseur d'air/pompe avec de l'équipement de sécurité en canalisation et d'alarme. Cet équipement additionnel est nécessaire pour filtrer et purifier l'air afin d'atteindre les spécifications minimales pour la respiration Grade D décrite dans le Compressed Gas Association Commodity Specification G 7.1, OSHA 29 CFR 1910. 134, and/or Canadian Standards Associations (CSA).

DÉNÉGATION DES GARANTIES

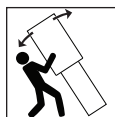
Si le compresseur est utilisé pour les applications d'air respirable et l'équipement de sécurité en canalisation et d'alarme n'est pas utilisé simultanément, les garanties en existence seront annulées, et Campbell Hausfeld dénie toute responsabilité pour n'importe quelle perte, blessure ou dommage.

Généralités sur la Sécurité

Puisque le compresseur d'air et les autres composants (article pompe, pistolet de pulvérisation, filtres, lubrifiants, tuyaux, etc.) utilisés font partie d'un système de pompage à haute pression, les précautions de sécurité suivantes doivent être prises en considération à tout moment :



- Lire attentivement tous manuels compris avec ce produit. Bien se familiariser avec les commandes et l'utilisation correcte de l'équipement.
- Suivre tous les codes d'électricité et de sécurité locaux ainsi que: National Electrical Codes (NEC) et Occupational Safety and Health Act (OSHA) des É.-U.
- Seules les personnes bien familiarisées avec ces règles d'utilisation doivent être autorisées à se servir du compresseur.
- Garder les visiteurs à l'écart de/et NE JAMAIS permettre les enfants dans l'endroit de travail.
- Utiliser des lunettes de sécurité et la protection auditive pendant l'utilisation du modèle.
- Ne pas se tenir debout sur/ou utiliser le modèle comme une prise.
- Inspecter le système d'air comprimé et pièces détachées électriques pour toute indication de dommage, détérioration, faiblesse ou fuites avant chaque utilisation. Réparer ou remplacer toutes pièces défectueuses avant l'utilisation.
- Inspecter le degré de serrage de toutes attaches par intervalles régulières.



⚠ AVERTISSEMENT

Ce compresseur est extrêmement lourd. Faites preuve de prudence lors du déplacement de l'unité et assurez-vous que l'unité est posée sur une surface plane lors de l'exploitation.



⚠ AVERTISSEMENT

N'installez jamais de vanne d'arrêt entre le compresseur et le réservoir.

⚠ AVERTISSEMENT

Les moteurs, l'équipement et les commandes électriques peuvent causer des arcs électriques qui peuvent allumer un gaz ou une vapeur inflammable. Ne jamais utiliser ou réparer le modèle près d'un gaz ou d'une vapeur inflammable. Ne jamais entreposer les liquides ou gaz inflammables près du compresseur.



⚠ AVERTISSEMENT

Ne jamais utiliser un compresseur sans carter de courroie. Ce modèle peut se démarrer sans avis. Le contact avec les pièces mobiles peut causer des blessures personnelles ou dégâts matériels.



⚠ ATTENTION

Les pièces du compresseur peuvent être chaudes même si le modèle n'est pas en marche.

- Ne pas porter les vêtements flottants ni la bijouterie qui peuvent se prendre dans les pièces mobiles du modèle.

INSTRUCTIONS GÉNÉRALES DE SÉCURITÉ (SUITE)

- Garder les doigts à l'écart d'un compresseur qui est en marche; les pièces mobiles et chaudes peuvent causer des blessures et/ou brûlures.
- Si le compresseur vibre anormalement, ARRÊTER le moteur et l'inspecter immédiatement. La vibration est généralement une indication d'un problème.
- Pour réduire le risque d'incendie, garder l'extérieur du moteur libre d'huile, de solvant ou de graisse excessive.

⚠ AVERTISSEMENT Une soupape de sûreté ASME avec une classification qui ne dépasse pas 1 379 kPa doit être installée dans le réservoir de ce compresseur. La soupape de sûreté ASME doit avoir un débit d'air et une classification de pression suffisants pour protéger les pièces pressurisées contre l'éclatement.

⚠ ATTENTION Voir les spécifications du compresseur pour une pression de fonctionnement maximale. Ne pas faire fonctionner avec un manostat ou soupapes pilotes réglés au delà de la pression de fonctionnement maximum.

⚠ AVERTISSEMENT La pression de fonctionnement maximale est de 1 207 kPa pour les compresseurs monophasés. Ne pas faire fonctionner avec un manostat ou des vannes pilotes configurés sur une valeur supérieure à 1 207 kPa (2 étages).

- Ne jamais essayer d'ajuster la soupape de sûreté ASME. Garder la soupape de sûreté libre de peinture et autres accumulations.

⚠ AVERTISSEMENT Ne jamais utiliser les tuyaux plastiques (CPV) pour l'air comprimé. Ceci peut causer des blessures graves ou la mort.



⚠ AVERTISSEMENT Ne jamais essayer de réparer ni de modifier un réservoir! Le soudage, le perçage ou autre modifications peuvent affaiblir le réservoir et peut résulter en dommage de rupture ou d'explosion. Toujours remplacer un réservoir usé, fendu ou endommagé.

AVIS

Purger le liquide du réservoir quotidiennement.

- L'accumulation d'humidité cause la rouille qui peut affaiblir le réservoir. Purger le réservoir quotidiennement et l'inspecter périodiquement pour la rouille et la corrosion ou autre dommage.
- L'air mouvante peut agiter la poussière et le débris qui peut être dangereux. Lâcher l'air lentement en purgeant l'humidité ou pendant la dépressurisation du système de compresseur.

Précautions de Pulvérisation



⚠ AVERTISSEMENT Ne pas pulvériser les matériaux inflammables dans un endroit de flamme ouverte ni près d'une source d'ignition y compris le compresseur.



- Ne pas fumer pendant la pulvérisation de la peinture, d'insecticides ou autres matières inflammables.
- Utiliser un masque/respirateur pendant la pulvérisation et pulvériser dans un endroit bien aéré pour éviter le risque de blessures et d'incendie.
- Ne pas diriger la peinture ou autre matériel pulvérisé vers le compresseur. Situer le compresseur aussi loin que possible de l'endroit de pulvérisation pour réduire l'accumulation de surpulvérisation sur le compresseur.
- Suivre les instructions du fabricant pendant la pulvérisation ou le nettoyage avec des solvants ou produits chimiques toxiques.

Les symboles **DANGER**, **AVERTISSEMENT**, **ATTENTION** et **AVIS** ainsi que les instructions de ce manuel ne peuvent pas couvrir toutes les conditions et situations qui pourraient se produire. L'opérateur doit comprendre que le bon sens et des précautions sont des facteurs qui ne peuvent pas être inclus dans ces produits, mais doivent être fournis par l'opérateur.

**CONSERVER CES INSTRUCTIONS
NE PAS JETER**

CARACTÉRISTIQUES TECHNIQUES

	CE1000	XC302100
HP	2	2
Nombre de cylindres	2	2
Nombre d'étages	2	2
Poussée d'air @ 621 kPa	150.1 L/min	150.1 L/min
Tension	120* Volts / 15 A 240 Volts / 7.5 A * Câblages d'usine	120* Volts / 15 A 240 Volts / 7.5 A * Câblages d'usine
Pression maximum	1207 kPa	1207 kPa
Capacité d'huile	449.46 mL	449.46 mL
Taille de l'orifice de sortie du réservoir	1/4 NPT	1/4 NPT
Poids	80.74 kg	80.74 kg

DIMENSIONS

	CE1000	XC302100
Leng.	58.42 cm (23 po)	58.42 cm (23 po)
Larg.	60.96 cm (24 po)	60.96 cm (24 po)
Haut.	116.84 cm (46 po)	116.84 cm (46 po)

APPRENEZ À CONNAÎTRE VOTRE UNITÉ

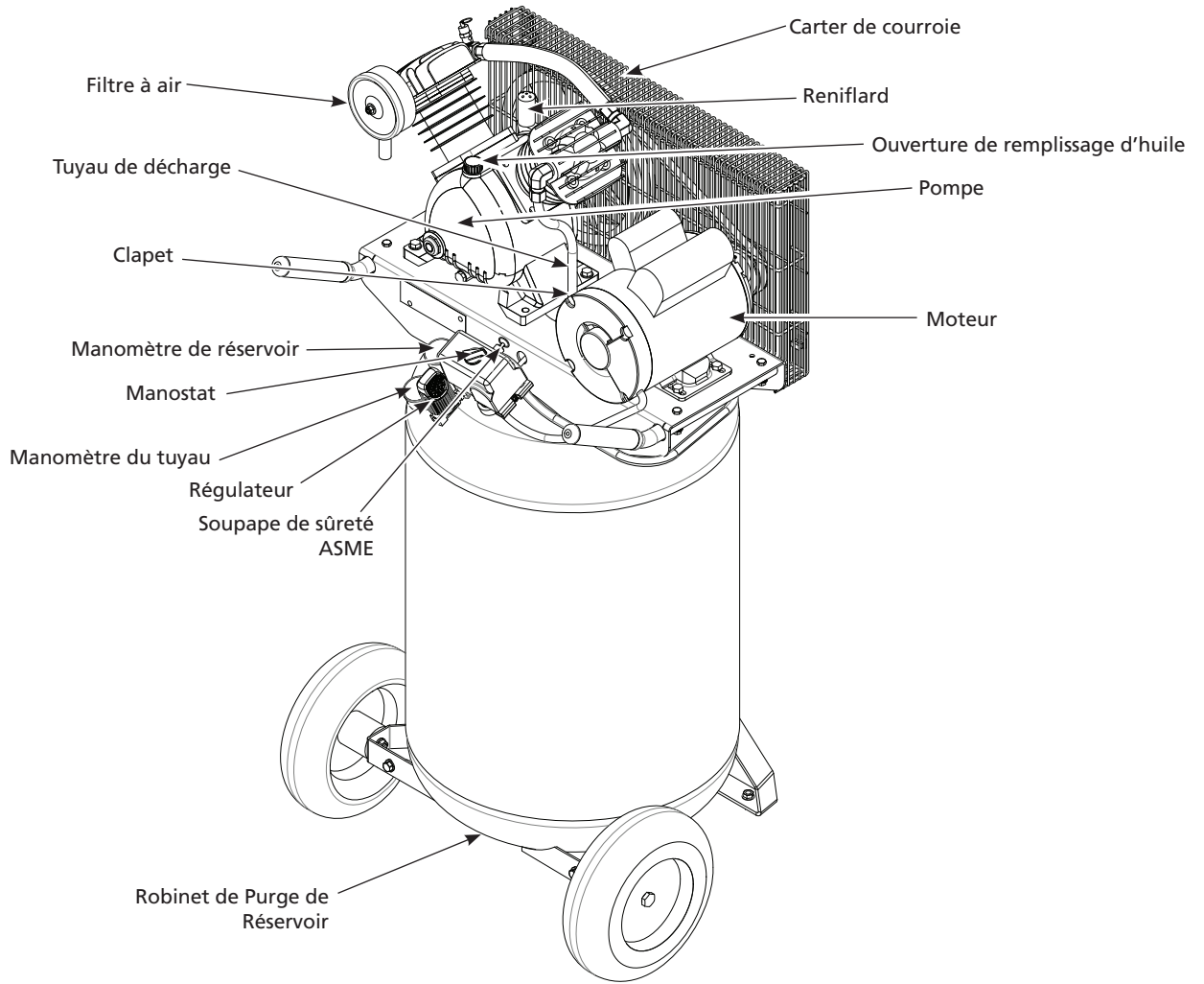


Figure 1 – Identification de l'unité

APPRENEZ À CONNAÎTRE VOTRE UNITÉ

Pressostat – Interrupteur AUTO/OFF - Dans la position AUTO (automatique), le compresseur s'arrête automatiquement lorsque la pression dans le réservoir atteint la pression maximale prééglée. L'utilisation de l'air contenu dans le réservoir fait descendre la pression. Lorsque la pression descend sous le niveau prééglé, le pressostat remet automatiquement le moteur en marche. Lorsque l'interrupteur est en position OFF, le compresseur ne fonctionne pas. Cet interrupteur doit se trouver à la position OFF lorsque vous branchez ou que vous débranchez le cordon d'alimentation.

Lorsque le pressostat éteint le moteur, de l'air s'échappe de la soupape de décharge en émettant un son pendant un court moment. La pression d'air dans le tuyau d'évacuation s'en trouve diminuée, ce qui permet au compresseur de redémarrer plus facilement.

Soupape de sûreté ASME – Cette soupape évacue automatiquement de l'air lorsque la pression du réservoir dépasse le maximum prééglé.

Tuyau d'évacuation – Ce tuyau transporte l'air comprimé de la pompe vers le clapet de non-retour. Ce tuyau devient très chaud pendant l'utilisation du compresseur. Pour éviter les risques de brûlures graves, n'y touchez jamais.

Clapet de non-retour – Clapet à sens unique qui permet l'entrée de l'air dans le réservoir, mais qui l'empêche de ressortir vers la pompe du compresseur.

Garde-courroie – Recouvre la courroie, ainsi que la poulie et le volant du moteur.

Robinet de vidange – Se trouve sous le réservoir. Ce robinet permet d'évacuer l'humidité du réservoir chaque jour afin de réduire les risques de corrosion.

Manomètre du réservoir – Indique la pression d'air à l'intérieur du réservoir.

Manomètre du tuyau - Indique la pression utilisée pour faire fonctionner les appareils. Cette pression est augmentée ou réduite par le régulateur.

Régulateur - Le régulateur contrôle la pression de l'air à la sortie du tuyau.

Filtre à air – Empêche les grosses particules dans l'air de s'introduire dans le compresseur.

Valve d'insufflation d'air – Évent du carter.

Orifice de remplissage d'huile – Orifice utilisé pour effectuer des changements d'huile ou ajouter de l'huile lorsque le niveau est bas.

Pompe – Pompe de compresseur d'air à 2 phases en fonte qui génère de l'air comprimé.

Moteur – Source d'alimentation qui permet à la pompe de générer de l'air comprimé.

INSTRUCTIONS D'INSTALLATION



⚠ AVERTISSEMENT

Débrancher, étiquetter et verrouiller la source de puissance électrique et dissiper toute la pression du système avant d'essayer d'installer, réparer, déplacer ou de procéder à l'entretien du modèle.

⚠ ATTENTION

Ne pas soulever ni déplacer le modèle sans équipement convenable et s'assurer que le modèle soit bien fixé à l'appareil de levage. Ne pas soulever le modèle avec les tuyaux ou les refroidisseurs. Ne pas utiliser le modèle pour soulever d'autre équipement qui est attaché au compresseur.

⚠ ATTENTION

Ne jamais utiliser les palettes d'expédition pour monter le compresseur.

AVIS

Ce compresseur n'est pas conçu pour être utilisé à l'extérieur.

Préparation

Avant de commencer l'assemblage ou l'installation du produit, assurez-vous d'avoir toutes les pièces. Comparez les pièces dans l'emballage avec la liste des pièces. S'il y a des pièces manquantes ou endommagées, ne tentez pas d'assembler ni d'utiliser le produit.

⚠ AVERTISSEMENT

N'utilisez jamais l'appareil s'il a été endommagé pendant la manutention, le transport ou l'utilisation. Un appareil endommagé pourrait éclater et, par conséquent, causer des blessures ou des dommages matériels.

Temps d'assemblage et d'installation approximatif : 20 minutes

Outils nécessaires pour l'assemblage et l'installation (non inclus) : lunettes de sécurité, gants de travail, clé à cliquet et douille de 9/16 po, clé à molette.

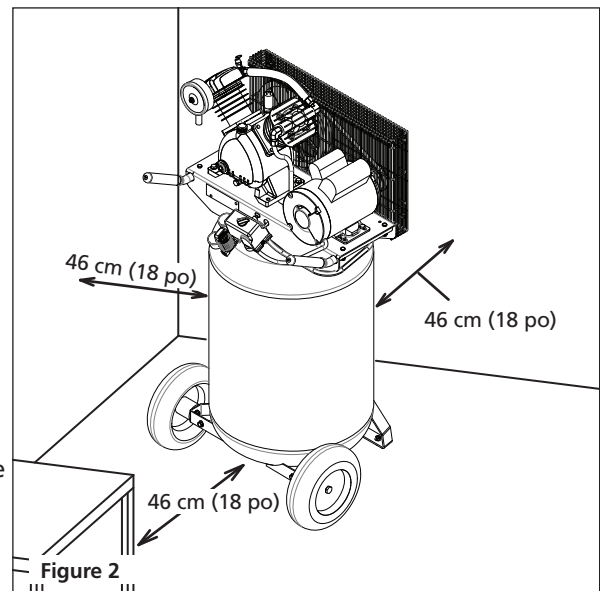
INSTRUCTIONS D'INSTALLATION (SUITE)

Choisir l'emplacement

Utiliser l'unité à une distance d'au moins 46 cm (18 po) de toute obstruction dans une zone propre et bien ventilée. La température de l'air dans l'endroit ne devrait pas dépasser 38,08° C. Ceci assure un débit d'air sans obstruction pour refroidir le compresseur et permet de l'espace pour l'entretien.

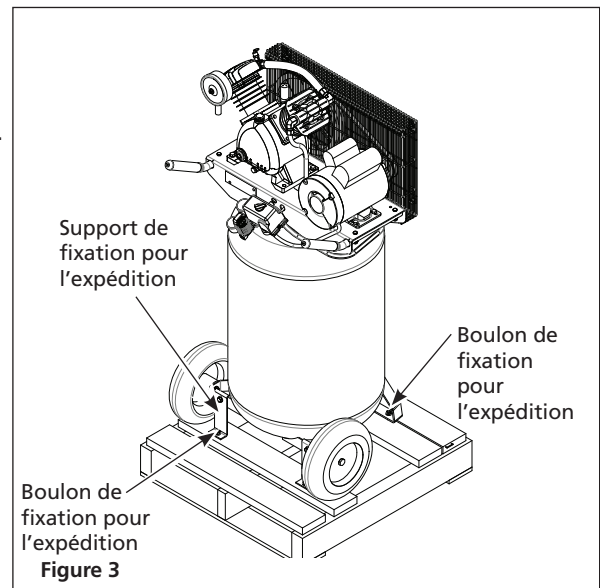
ATTENTION *Ne pas situer la prise d'air du compresseur près de vapeurs, pulvérisation de peinture, endroits de décapage au sable ou n'importe quelle autre source de contamination.*

REMARQUE: Si le compresseur est utilisé dans un endroit chaud et humide, il est nécessaire de fournir le compresseur avec de l'air extérieur propre et sec. Cet air devrait être canalisé d'une source externe.

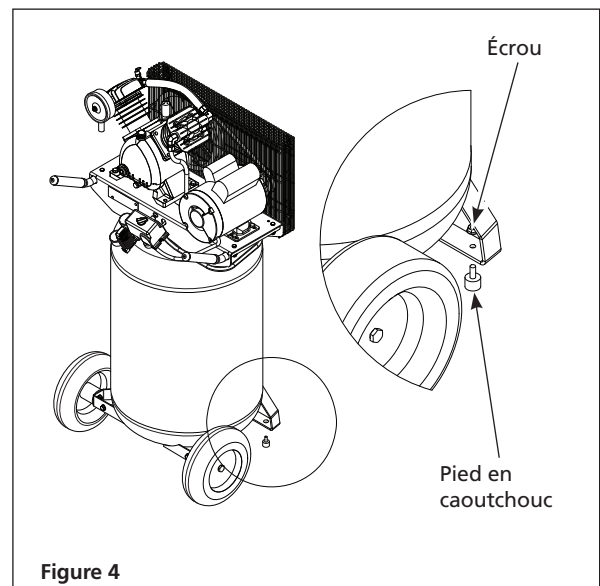


Instructions pour l'assemblage

1. Déboulonnez l'appareil de la palette de manutention. Utilisez une clé à cliquet et une douille de 9/16 po. Retirez l'appareil de la palette. Jeter la quincaillerie de manutention une fois qu'elle a été retirée. Voir Figure 3.



2. Installez les pieds en caoutchouc au moyen d'écrous et de rondelles. Voir Figure 4.



3. Installez le filtre à air. Voir Figure 5.

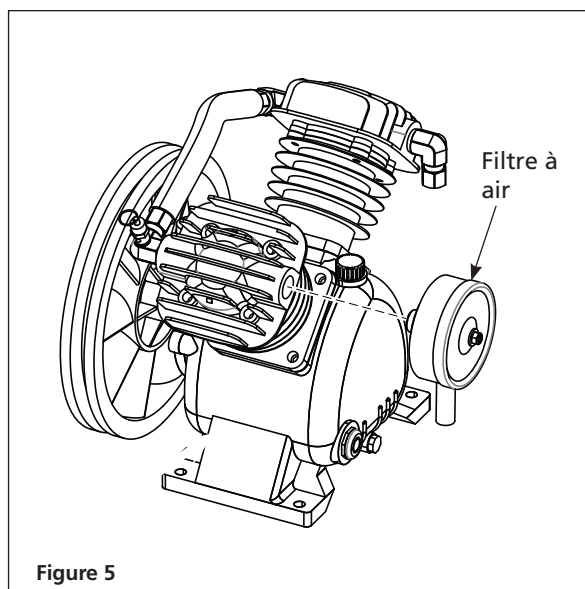


Figure 5

Graissage

ATTENTION CE MODÈLE NE CONTIENT PAS D'HUILE. Avant d'utiliser le compresseur. Remplir au centre de la jauge visuelle (voir la figure 7).

ATTENTION L'utilisation d'un autre type d'huile pourrait raccourcir la durée de la pompe et endommager les soupapes.

Recommended Oil (2 Options)
Huile de compresseur non détergente SAE 30 ISO100 à viscosité unique. Numéro de pièce ST125303AV (0,47 L) ou ST126701AV (3,79 L).
Huile synthétique 10W30 telle que Mobil 1® ou CE0032 (0,95 L).
Capacité D'Huile
Environ 449.46 mL

Retirez le bouchon de remplissage d'huile. Vérifiez le niveau d'huile; certains modèles contiennent déjà de l'huile lorsqu'ils sont expédiés. Ajoutez de l'huile au besoin. Remplir la pompe d'huile au centre de la jauge visuelle en utilisant l'ouverture de remplissage d'huile (voir la figure 7). Remettez le bouchon de remplissage d'huile en place. **NE PAS remplir la pompe jusqu'à l'ouverture du bouchon de reniflard, car ceci pourrait mener à une fuite d'huile et une pulvérisation vers l'extérieur durant l'utilisation.**

N'utilisez pas de lubrifiant pour automobile ordinaire. Les additifs qui y sont présents pourraient former des dépôts sur la soupape et user la pompe prématurément.

Pour maximiser la durée de vie de la pompe, videz et remplacez l'huile après les 50 premières heures de fonctionnement, puis suivez les procédures d'entretien indiquées plus loin dans le présent manuel.

Cette pompe comporte un indicateur permettant de voir le niveau d'huile (figure 6) afin de la maintenir au niveau indiqué à la figure 7.

REMARQUE: Il pourrait y avoir des résidus d'huile dans la pompe des tests en usine laissant une mince couche sur la jauge visuelle, mais il n'y a pas assez d'huile pour faire fonctionner l'unité.

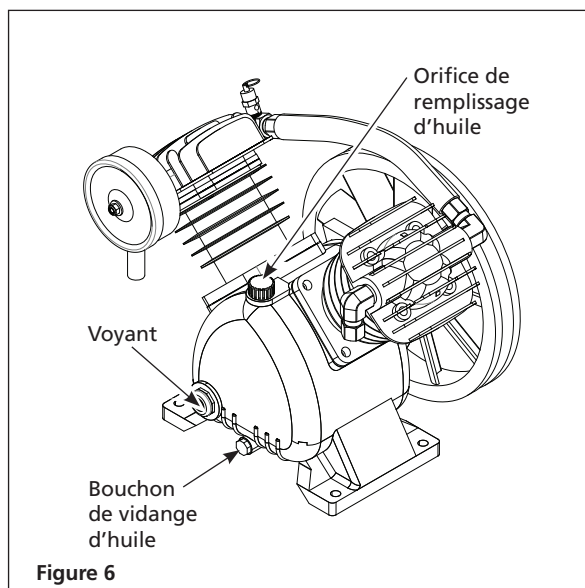


Figure 6

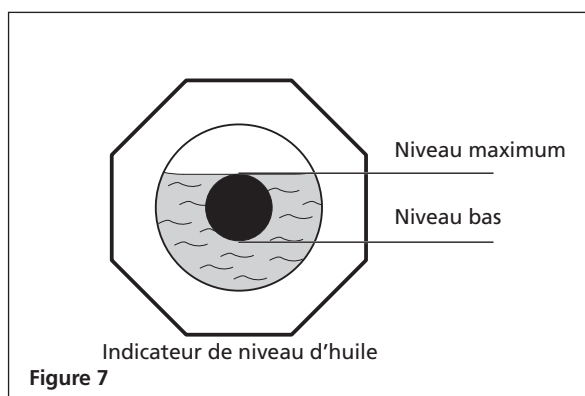


Figure 7

INSTRUCTIONS D'INSTALLATION (SUITE)

Information sur les éléments électriques

⚠ DANGER Les moteurs qui ne sont pas correctement mis à la terre présentent des risques de chocs. Assurez-vous que l'équipement est correctement mis à la terre.

⚠ AVERTISSEMENT L'installation inadéquate de la fiche de mise à la terre du compresseur entraîne un risque de choc électrique. Si le cordon d'alimentation ou la fiche doivent être réparés ou remplacés, ne branchez pas le fil de mise à la terre du compresseur sur une borne d'alimentation (broche). Le fil possédant une isolation et dont la surface est verte, avec ou sans rayures jaunes, est le fil de mise à la terre.

⚠ AVERTISSEMENT Un câblage inadéquat mènera à la surchauffe, les court-circuits et les dommages d'incendie.

⚠ AVERTISSEMENT Débranchez l'appareil, verrouillez-le et placez-y une étiquette d'avertissement, puis libérez toute la pression de l'appareil avant d'essayer de l'installer, de le réparer, de le déplacer ou de l'entretenir.

AVIS Une tension ou un branchement électrique inadéquats causant des dommages au moteur annuleront la garantie.

NE VOUS SERVEZ PAS D'UNE RALLONGE ÉLECTRIQUE; UTILISEZ PLUTÔT UN TUYAU PLUS LONG.

Les appareils de 120 volts et de 15 A peuvent être branchés à un circuit de 120 volts et de 15 A dans les conditions suivantes :

1. Aucun autre appareil électrique ou d'éclairage ne doit être branché au même circuit de dérivation.
2. La tension est de 120 volts.
3. Le circuit est muni d'un disjoncteur de 15 A ou d'un fusible à fusion lente de 15 A de type T (de type D au Canada).
4. La longueur du fil en cuivre reliant la prise et le disjoncteur ne doit pas excéder 12,20 m (calibre 14) ou 21,34 m (calibre 12).

Mise à la terre

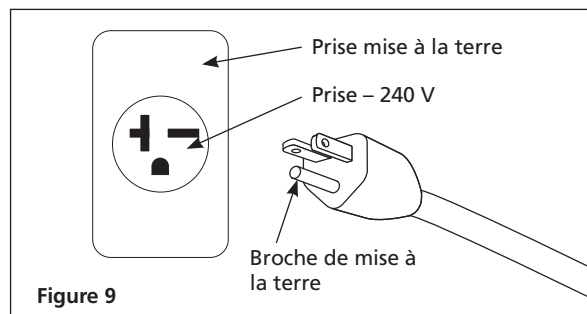
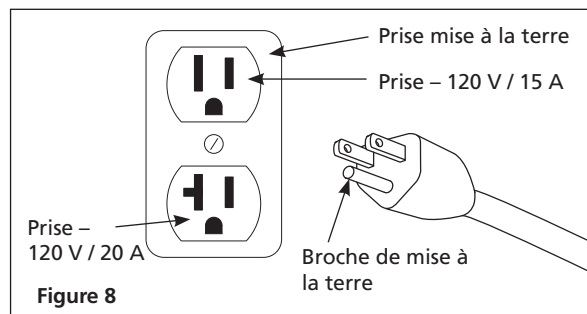
⚠ AVERTISSEMENT Les composantes électriques qui ne sont pas correctement mise à la terre tiennent le risque de secousse électrique. S'assurer que toutes les pièces soient mise à la terre correctement pour éviter les blessures personnelles ou la perte de vie.

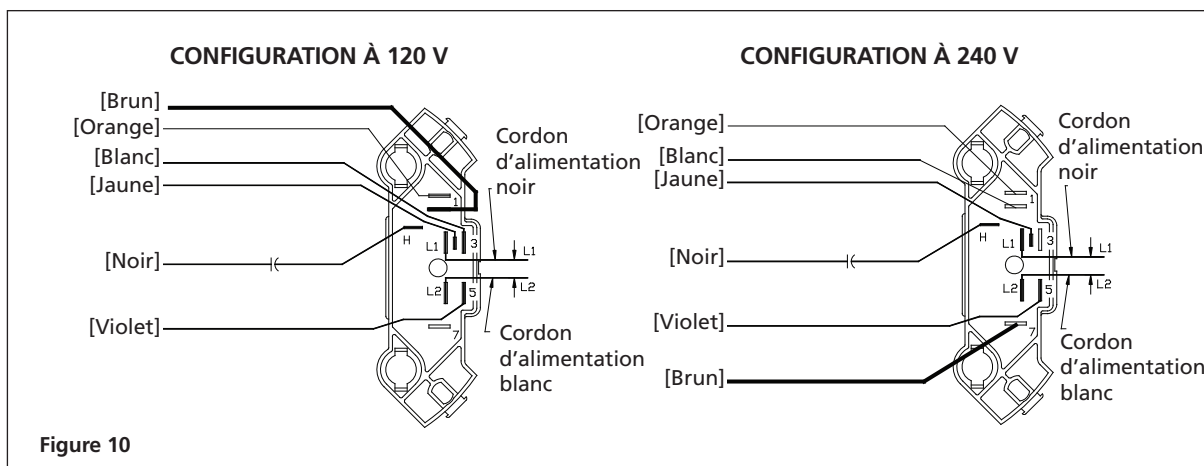
Cet article doit être mis à la terre. En cas de court-circuit, la mise à la terre permet de dévier le courant électrique et donc de réduire les risques de choc électrique. Le cordon d'alimentation de cet article est muni d'un fil de mise à la terre et d'une fiche de mise à la terre. Vous devez brancher la fiche sur une prise correctement installée et mise à la terre conformément aux lois et aux codes en vigueur. N'utilisez pas d'adaptateur de mise à la terre.

⚠ AVERTISSEMENT Le branchement inadéquat de la fiche de mise à la terre peut entraîner un risque de choc électrique. La fiche doit être branchée sur une prise correctement installée et mise à la terre par un électricien qualifié conformément aux lois et aux codes locaux.

Cet article est conçu par défaut pour une utilisation sur un circuit d'une tension nominale de 120 V et est muni d'une fiche de mise à la terre semblable à celle illustrée à la figure 8. Si les conditions précédentes ne peuvent être satisfaites ou si le dispositif de protection ampérimétrique se déclenche, il est possible d'utiliser ce compresseur sur un circuit de 120 volts et de 20 ampères. Consultez le figure 8.

La plaque signalétique du moteur fournit des indications quant à la compatibilité à 240 volts. Un appareil de 240 volts doit être utilisé sur un circuit de 240 volts. Le cordon doit être branché seulement sur une prise de 240 volts mise à la terre, ce qui peut nécessiter l'installation d'un nouveau cordon et d'une nouvelle fiche. Consultez





la figure 9. L'article peut être réglé pour fonctionner à 240 V. Pour ce faire, vous devez acheter un cordon d'alimentation de 240 V, le brancher sur l'appareil et le relier au pressostat, tout comme le cordon de 120 V. Vous devez ouvrir le panneau situé à l'arrière du moteur et déplacer le fil brun de la borne no 1 à la borne no 7 et le fil blanc, de la borne no 3 à la borne no 1 (l'emplacement initial du fil brun). Consultez la figure 10.

AVERTISSEMENT *Le câblage et les branchements électriques doivent être effectués par un électricien qualifié. L'installation doit être conforme aux codes locaux et nationaux de l'électricité. S'il n'est pas correctement mis à la terre, cet appareil peut provoquer un choc électrique, surtout s'il est utilisé dans des endroits humides, à proximité de conduites d'eau ou à l'extérieur.*

AVERTISSEMENT *Le branchement de la fiche de mise à la terre peut entraîner un risque de choc électrique. Lorsque vous réparez ou remplacez le cordon d'alimentation ou la fiche, ne branchez pas le fil de mise à la terre sur une borne d'alimentation (lame). Le fil possédant une isolation et dont la surface est verte, avec ou sans rayures jaunes, est le fil de mise à la terre. Ne branchez jamais le fil vert (ou les fils vert et jaune) sur une borne sous tension.*

Consultez un électricien ou un technicien qualifié si vous ne comprenez pas les instructions pour la mise à la terre ou si vous avez un doute sur la mise à la terre du compresseur. Ne modifiez pas la fiche fournie. Si elle ne se loge pas dans la prise, faites installer une prise appropriée par un électricien qualifié. Ne branchez l'appareil que sur une prise ayant les mêmes caractéristiques que la fiche. N'utilisez pas d'adaptateur pour brancher le compresseur.

MODE D'EMPLOI

Procédure de démarrage et de rodage



AVERTISSEMENT

Ne fixez pas d'outils à air comprimé à l'extrémité libre du tuyau avant que la procédure de démarrage n'ait été exécutée et que l'appareil fonctionne correctement.



AVERTISSEMENT

Ne desserrez jamais les joints filetés lorsqu'il y a de la pression dans le réservoir!

1. Vérifiez le niveau d'huile selon les instructions figurant à la section Lubrification du présent guide.
2. Ouvrez le robinet de vidange inférieur (voir la figure 11). Tournez la soupape de sortie afin de laisser passer l'air.
3. Branchez l'appareil.
4. Réglez l'interrupteur du pressostat à **AUTO** afin de démarrer l'appareil (consultez la figure 12).
5. Faites fonctionner l'appareil pendant trente minutes à 0 lb/po² (aucune charge) afin de roder les pièces de la pompe.
6. Réglez le pressostat à **OFF** et fermez le robinet de vidange inférieur. Le compresseur est prêt à être utilisé.
7. Changez l'huile après les cinquante (50) premières heures d'utilisation. Effectuez un changement d'huile aux trois (3) mois ou après deux cents (200) heures de fonctionnement, selon la première occurrence.

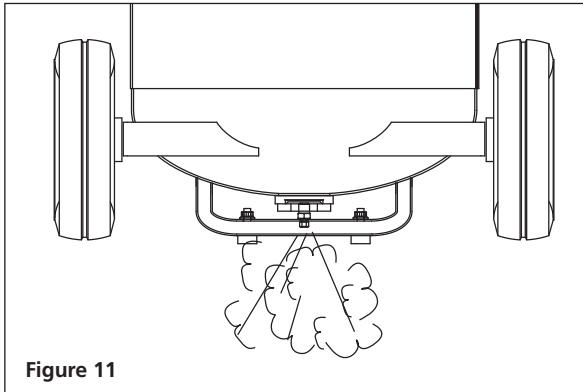


Figure 11

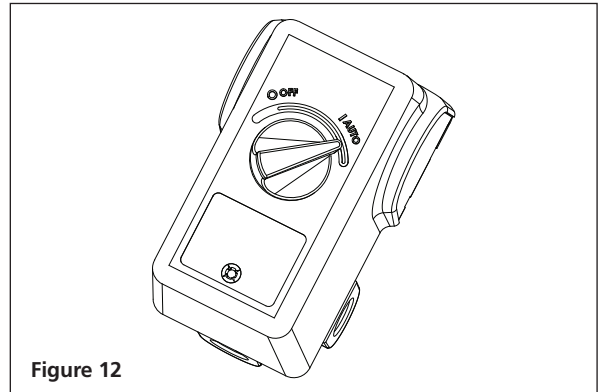


Figure 12

Utilisation du compresseur

Il est extrêmement important d'utiliser le compresseur dans un endroit propre, bien aéré, et dont la température ne dépassera pas 37,78 °C. L'entrée d'air du compresseur doit se trouver loin de toute source de contamination ou de vapeur, et de tout endroit où l'on effectue des travaux de sablage ou de peinture par pulvérisation.

Cycle de marche/arrêt du compresseur.



AVERTISSEMENT

Vidangez le réservoir tous les jours afin d'éviter la corrosion et les blessures que pourrait causer un réservoir endommagé. N'effectuez pas la vidange si le réservoir est à plus de 40 lb/po² ou le robinet de vidange pourrait être endommagé. Évacuez l'humidité du réservoir tous les jours à l'aide du robinet de vidange inférieur.

AVIS

Évacuez tout liquide du réservoir chaque jour.

Lorsque l'interrupteur du pressostat est en position **AUTO**, le compresseur pompe de l'air dans le réservoir. Le compresseur s'arrête automatiquement lorsqu'il atteint la pression préréglée.

Si l'interrupteur du pressostat demeure en position **AUTO** et que l'utilisation d'un outil à air comprimé diminue la quantité d'air dans le réservoir, le compresseur redémarre automatiquement dès que la pression minimale préréglée est atteinte. Lorsqu'un outil est utilisé sans interruption, le compresseur suit automatiquement un cycle de marche/arrêt.

Lorsque l'interrupteur du pressostat est réglé à **OFF**, le compresseur ne se met pas en marche.

HUMIDITÉ DANS L'AIR COMPRIMÉ

L'humidité dans l'air comprimé forme des gouttelettes en arrivant de la pompe du compresseur d'air. Si l'humidité est élevée, ou si le compresseur est utilisé continuellement, cette humidité s'accumulera dans le réservoir. Pendant l'utilisation d'un pistolet à peinture ou d'un pistolet pour le décapage au sable, cette eau sera transportée du réservoir par moyen du tuyau, et en forme de gouttelettes, mélangée avec le matériel utilisé.

IMPORTANT: Cette condensation peut causer des taches d'eau sur votre travail de peinture, surtout pendant la pulvérisation de peinture qui n'est pas à base d'eau. Pendant le décapage au sable, cette eau servira à tenir le sable ensemble et causera une obstruction dans le pistolet. Un filtre à air en canalisation situé aussi près du pistolet que possible aidera à éliminer cette humidité.

NOTES

Lined area for notes, consisting of horizontal lines.

GUIDE DE DÉPANNAGE

SYMPTÔME	CAUSE(S) POSSIBLE(S)	ACTION CORRECTIVE
Pression de décharge basse	<ol style="list-style-type: none"> 1. Demande d'air dépasse la capacité de la pompe 2. Fuites d'air (par les raccords, les tuyaux fixés au compresseur ou la tuyauterie extérieure au système). 3. Arrivée d'air limitée 4. Joints éclatés 5. Fuites ou dommage aux soupapes 	<ol style="list-style-type: none"> 1. Diminuer la demande d'air ou utiliser un compresseur de plus haute capacité. 2. Écouter pour des fuites d'air. Appliquer une solution savonneuse à tous les raccords et branchements et vérifier pour des bulles qui indiquent des fuites. Serrer ou remplacer les raccords ou branchements qui ont des fuites. Utilisez de la pâte d'étanchéité pour joints filetés. 3. Nettoyez ou remplacez le filtre à air. 4. Remplacer tous joints défectueux. 5. Enlever la culasse et inspecter pour des soupapes cassées, soupapes mal dressées, sièges de soupapes endommagés, etc. Remplacer toutes les pièces défectueuses et remonter. <p>⚠ ATTENTION <i>Installer un nouveau joint d'étanchéité de culasse chaque fois que la culasse est enlevée.</i></p>
Bruit excessif (cognement)	<ol style="list-style-type: none"> 1. La poulie ou le volant du moteur sont lâches. 2. Les fixations de la pompe ou du moteur sont lâches. 3. Manque d'huile dans le carter 4. Bielle usée 5. Alésages d'axe de piston usés 6. Piston frappe la plaque de soupape 7. Clapet bruyant dans le système de compresseur 	<ol style="list-style-type: none"> 1. Resserrez tous les boulons et les vis de calage de la poulie et du volant du moteur. 2. Serrez toutes les fixations. 3. Vérifier le niveau d'huile; si bas, inspecter les paliers pour du dommage. L'huile sale peut causer l'usure excessif. 4. Remplacer la bielle. Entretien le niveau d'huile et changer l'huile plus souvent. 5. Enlever le piston équipé du compresseur et l'inspecter pour l'usure excessif. Remplacer les axes de piston ou pistons usés au besoin. Entretien le niveau d'huile correct et changer l'huile plus souvent. 6. Enlever la tête du compresseur et la plaque de soupape et inspecter pour de l'encrassement charbonneux ou autre matières étranges sur la partie supérieure du piston. Remplacer la culasse et la plaque de soupape et utiliser un nouveau joint d'étanchéité. Voir la section de Graissage pour l'huile recommandée. 7. Remplacez le clapet de non-retour. <p>⚠ DANGER <i>Ne pas démonter le clapet si le réservoir est pressurisé.</i></p>
Large quantité d'huile dans l'air de décharge REMARQUE: Il y aura toujours un peu d'huile dans le jet d'air avec un compresseur graissé par l'huile.	<ol style="list-style-type: none"> 1. Segments de piston usés 2. Arrivée d'air du compresseur limité 3. Huile excessive dans le compresseur 4. Viscosité d'huile incorrecte 	<ol style="list-style-type: none"> 1. Remplacer les segments de piston. Entretien le niveau d'huile correct et changer l'huile plus souvent. 2. Nettoyez ou remplacez le filtre. Recherchez d'autres sources d'obstruction dans le système de prise d'air. 3. Vidanger jusqu'au niveau plein. 4. Utilisez l'huile moteur synthétique Mobil 1® 10W30 ou toute autre huile entièrement synthétique.
Eau dans l'air de débit/réservoir	Fonctionnement normal. La quantité d'eau augmente avec le temps humide	<ol style="list-style-type: none"> 1. Purger le réservoir plus souvent, au moins quotidiennement. 2. Ajouter un filtre pour diminuer la quantité d'eau dans la canalisation d'air.

GUIDE DE DÉPANNAGE (SUITE)

SYMPTÔME	CAUSE(S) POSSIBLE(S)	ACTION CORRECTIVE
Le moteur émet un bourdonnement et fonctionne lentement ou pas du tout.	<ol style="list-style-type: none"> 1. La tension est basse. 2. Utilisation d'une rallonge. 3. Trop d'appareils sont alimentés par le même circuit. 4. Les branchements électriques sont lâches. 5. Le pressostat est défectueux; les contacts ne se font pas. 6. Le clapet de non-retour ne fonctionne pas bien. 7. La soupape de déchargement du pressostat est défectueuse. 8. Un ou plusieurs condensateurs du moteur sont défectueux. 9. Le moteur est défectueux. 	<ol style="list-style-type: none"> 1. Vérifiez la tension entrante. Elle devrait se situer autour de 120 volts. Une tension faible peut être due au fait que les câbles reliant la source d'alimentation au compresseur sont trop longs ou que leur calibre est trop petit. Demandez à un électricien qualifié de vérifier les câbles et d'effectuer les modifications nécessaires. 2. N'utilisez pas de rallonge électrique. Utilisez un tuyau plus long et de plus grand diamètre. 3. Branchez le compresseur sur un circuit réservé. 4. Vérifiez tous les branchements électriques. 5. Remplacez le pressostat. 6. Remplacez le clapet de non-retour. ⚠ DANGER <i>Ne pas démonter le clapet si le réservoir est pressurisé.</i> 7. Remplacez la soupape de déchargement. 8. Remplacez le ou les condensateurs. 9. Remplacez le moteur.
Le mécanisme de réinitialisation ou le disjoncteur se déclenche à répétition.	<ol style="list-style-type: none"> 1. La ventilation est insuffisante ou la température ambiante est trop élevée. 2. Trop d'appareils sont alimentés par le même circuit. 3. La prise d'air est obstruée. 4. Les branchements électriques sont lâches. 5. La pression maximale préréglée est trop élevée. 6. La tension est basse. 7. Le clapet de non-retour ne fonctionne pas bien. 8. La soupape de déchargement du pressostat est défectueuse. 9. Un ou plusieurs condensateurs du moteur sont défectueux. 10. Le moteur fonctionne mal. 	<ol style="list-style-type: none"> 1. Déplacez le compresseur vers un endroit bien ventilé. 2. Branchez le compresseur sur un circuit réservé. 3. Nettoyez ou remplacez le filtre. 4. Vérifiez tous les branchements électriques. 5. Remplacez le pressostat. 6. Vérifiez la tension entrante. Elle devrait se situer autour de 120 volts. Une tension faible peut être due au fait que les câbles reliant la source d'alimentation au compresseur sont trop longs ou que leur calibre est trop petit. Demandez à un électricien qualifié de vérifier les câbles et d'effectuer les modifications nécessaires. 7. Remplacez le clapet de non-retour. ⚠ DANGER <i>Ne pas démonter le clapet si le réservoir est pressurisé.</i> 8. Remplacez la soupape de déchargement. 9. Remplacez le ou les condensateurs. 10. Remplacez le moteur.
Le réservoir ne conserve pas la pression quand le compresseur est hors circuit et la soupape d'arrêt est fermée	<ol style="list-style-type: none"> 1. L'air fuit (par les raccords, les tuyaux fixés au compresseur ou la tuyauterie extérieure au système). 2. Le clapet de non-retour est usé. 3. Vérifiez si le réservoir présente des fissures ou des piqûres. 	<ol style="list-style-type: none"> 1. Vérifiez tous les raccords à l'aide d'eau savonneuse. Serrez les raccords, ou retirez-les et appliquez sur le filetage du scellant pour joints filetés. 2. Remplacez le clapet de non-retour. ⚠ DANGER <i>Ne pas démonter le clapet si le réservoir est pressurisé.</i> 3. Remplacez le réservoir. Ne tentez jamais de réparer un réservoir endommagé.
Le manostat laisse souffler de l'air continuellement à travers de la soupape de déchargement	Fonctionnement défectueux du clapet	Si l'air contenu dans le réservoir s'échappe lentement et de façon continue par la soupape de déchargement lorsque l'appareil est éteint, remplacez le clapet de non-retour. ⚠ DANGER <i>Ne pas démonter le clapet si le réservoir est pressurisé.</i>
Le manostat ne relâche pas l'air lorsque le modèle se coupe (off)	Fonctionnement défectueux de la soupape de déchargement sur le manostat	1. Remplacer le manostat si la pression n'est pas dissipé pendant une courte durée quand le modèle se coupe. ⚠ DANGER <i>Ne pas démonter le manostat si le réservoir est pressurisé</i>
Vibration excessive	<ol style="list-style-type: none"> 1. Les fixations de la pompe ou du moteur sont lâches. 2. Changement de la courroie exigé 3. Redressage de la courroie 	<ol style="list-style-type: none"> 1. Serrez toutes les fixations. 2. Remplacer avec une courroie de taille correcte. 3. Aligner le volant et la poulie.

INSTRUCTIONS D'ENTRETIEN ET D'INSPECTION



AVERTISSEMENT

Débrancher, étiquetter, verrouiller la source de puissance et ensuite dissiper toute la pression du système avant d'essayer d'installer, réparer, déplacer ou de procéder à l'entretien.

Seuls des représentants autorisés devraient effectuer les réparations de l'appareil.

Débranchez la fiche du cordon d'alimentation de la prise de courant. Nettoyez les débris du moteur, du volant, du réservoir, des tuyaux à air et des ailettes de refroidissement de la pompe.

Vérifier le filtre à air et le niveau d'huile avant chaque utilisation afin de garder le système de compresseur en bon état de marche. Inspecter la soupape de sûreté ASME quotidiennement (Voir la Figure 13). Tirer sur la bague de la soupape de sûreté et la laisser revenir à sa position normale. Cette soupape laisse échapper de l'air automatiquement si la pression dans le réservoir dépasse la pression maximale réglée d'avance. Remplacer la soupape de sûreté ASME s'il y a une fuite d'air une fois que la soupape soit lâchée ou si la soupape est grippée.

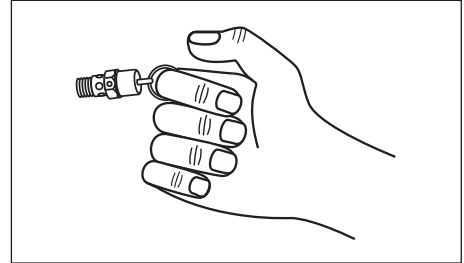


Figure 13 - Soupape de sûreté ASME

AVERTISSEMENT

Ne pas toucher la soupape de sûreté ASME.



Réservoir

AVERTISSEMENT

Ne jamais essayer de réparer ou d'altérer un réservoir! Le soudage, perçage ou n'importe quelle autre modification peut affaiblir le réservoir et peut résulter en rupture ou en explosion. Toujours remplacer les réservoirs usés, fendus ou endommagés.

AVIS

Purger le réservoir quotidiennement.

Videz le réservoir: Débranchez l'appareil, verrouillez-le et placez-y une étiquette d'avertissement; évacuez la pression. Évacuez toute l'humidité du réservoir en ouvrant le robinet de vidange qui se trouve sous le réservoir jusqu'à ce que la pression de ce dernier soit de 276 kPa (Voir figure 11 à la page Fr12).

Le réservoir doit être inspecté soigneusement au moins une fois par année. Vérifier pour des fissures près des soudures. S'il y a une fissure, dissiper la pression du réservoir et le remplacer immédiatement.

Graissage du Compresseur

Voir la section de Fonctionnement. Ajouter de l'huile si nécessaire. Changer l'huile et le filtre chaque trois mois ou après chaque 200 heures d'opération, selon laquelle arrive en premier.

Si le compresseur est utilisé sous les conditions humides pour durées courtes, l'humidité peut se condenser dans le carter et l'huile peut paraître crémeuse. L'huile qui est contaminée avec de l'eau condensée ne fournit pas de lubrification suffisante et doit être remplacée immédiatement. L'utilisation de l'huile contaminée peut endommager les roulements, pistons, cylindres et bagues et n'est pas couverte par la garantie. Pour éviter la condensation de l'eau dans l'huile, faites périodiquement fonctionner le compresseur avec une pression au réservoir près de 827 kPa pour un compresseur à deux étages en ouvrant le robinet de vidange ou un robinet d'admission d'air branché au réservoir ou à un tuyau. Faire fonctionner la pompe pendant une heure au moins une fois par semaine ou plus souvent si la condensation se manifeste.

IMPORTANT: Changer l'huile après les premières 50 heures de fonctionnement.

Filtre à Air

Ne jamais utiliser le compresseur sans un filtre à air d'admission ou avec un filtre à air d'admission obstrué. L'élément du filtre d'air doit être vérifié chaque mois (voir la figure 14). L'utilisation d'un compresseur avec un filtre sale peut augmenter la consommation d'huile et peut augmenter la contamination d'huile dans l'air. Si le filtre d'air est sale, il faut le remplacer.

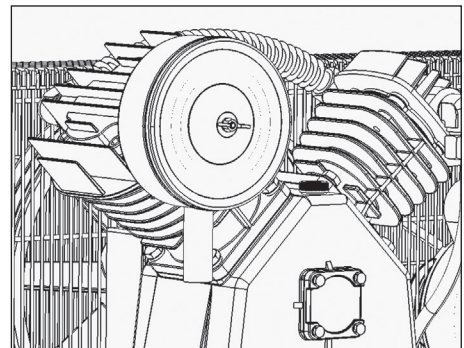


Figure 14

Courroies



Mettre hors circuit et étiqueter la source de puissance et dissiper toute pression du réservoir pour éviter le mouvement inattendu du modèle.

Vérifier la rigidité des courroies chaque 3 mois. Ajuster la rigidité des courroies afin de permettre une déflexion de 9,5 mm - 12,7 mm (3/8 po - 1/2 po) avec pression du pouce normale. Aligner les courroies en utilisant une limande contre la face du volant et en touchant le limbe sur les deux bords de la face. Les courroies devraient être parallèles à la limande (Voir la Figure 15). Dimension A devrait être la même que B et C pour assurer l'alignement correct des courroies.

Des fentes dans la plaque permettent que le moteur glisse en avant et en arrière pour ajuster la tension de la courroie.

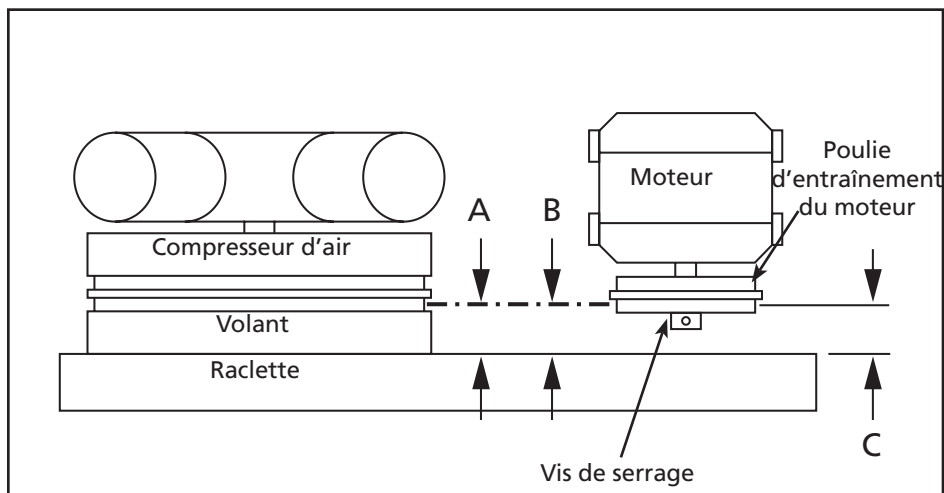


Figure 15 - Vue du dessus

Retirer le protecteur de courroie



En retirant l'avant du protecteur de courroie pour inspecter ou remplacer les courroies, inspectez les clips de rétention en plastique et remplacez-les s'ils sont endommagés ou s'il peut être retiré sans l'aide d'un outil.

Retirer les clips de rétention

1. En utilisant la clé à molette sur les pinces, tournez les clips de 90°.
2. Tirez pour enlever le clip de protection de la courroie.
3. Inversez le processus pour réinstaller après avoir inspecté le clip.

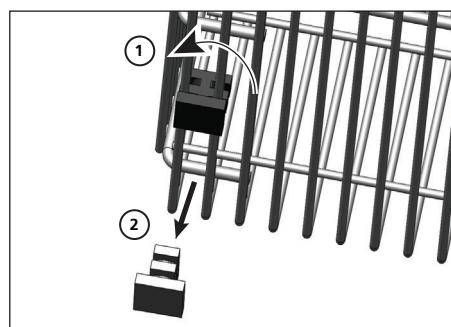


Figure 16

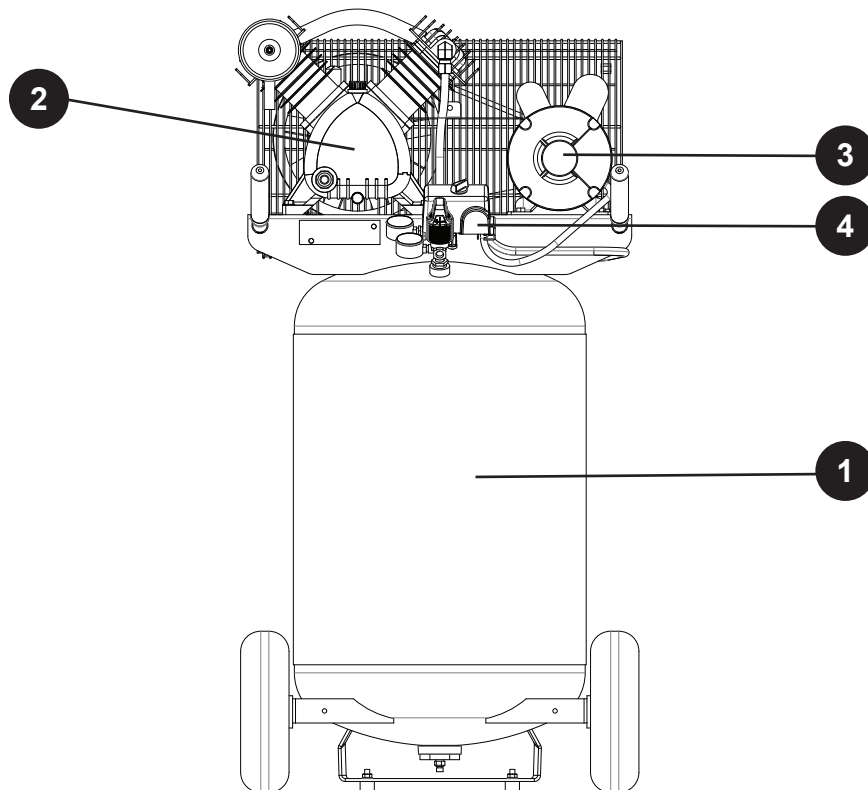
Entreposage

Pour l'entreposage à court terme, assurer que le compresseur soit rangé dans une position normale et qu'il soit dans un endroit frais et protégé.

PROGRAMME D'ENTRETIEN				
Action	Quotidien	Hebdomadaire	Mensuel	3 mois
Vérification du niveau d'huile	●			
Vidange du réservoir	●			
Vérification du filtre à air		●		
Vérification de la soupape de sûreté		●		
Nettoyage de l'appareil			●	
Vérification de la tension de la courroie			●	
Changement de l'huile*				●

* Changez l'huile après les cinquante (50) premières heures de fonctionnement, puis effectuez un changement d'huile aux trois (3) mois ou après deux cents (200) heures de fonctionnement, selon la première occurrence.

ILLUSTRATION DES PIÈCES DE REMPLACEMENT POUR LE CE1000 ET LE XC302100



**Pour les pièces de remplacement, visitez www.campbellhausfeld.com
24 heures par jour – 365 jours par an**

Fournir les informations suivantes :

- Numéro de modèle
- Numéro de série (s'il y en a un)
- Description et numéro de pièce comme indiqué sur la liste des pièces

LISTE DES PIÈCES DE REMPLACEMENT POUR LE CE1000 ET LE XC302100

N° de réf.	Description	Numéro de pièce :	Qté
1	RÉSERVOIR DE 113,56 L	AR068300CG	1
2	POMPE ALTERNATIVE À 2 PHASES DE 2 CH	XC002200IP	1
3	MOTEUR ÉLECTRIQUE DE 2 CH	MC019800IP	1
4	PRESSOSTAT	CW214300AV	1

PIÈCES POUR L'ENTRETIEN DE L'APPAREIL

Description	Numéro de pièce :	Qté
ROBINET DE VIDANGE	SR060513SV	1
POULIE DU MOTEUR	PU019200AV	1
COURROIE EN V	BT021501AV	1
ENSEMBLE DE ROULETTES	WA900000SV	1
CLAPET DE NON-RETOUR/TROUSSE DE TUBE D'ÉCHAPPEMENT	XC000800SV	1
ENSEMBLE DE PRESSOSTAT	MY000900SV	1
ENSEMBLE DE POIGNÉE	HL041900SV	1
TROUSSE DE GARDE-COURROIE	BG900000SV	1

PIÈCES POUR L'ENTRETIEN DE LA POMPE

Description	Numéro de pièce :	Qté
ENSEMBLE DE CLAPET DE RECHANGE	XC000200AV	1
ENSEMBLE DE REMPLACEMENT DE L'ANNEAU	XC000300AV	1
ENSEMBLE DE JOINT D'ÉTANCHÉITÉ	XC000500AV	1
VOLANT	XC000600AV	1
ACCESSOIRES DE LA POMPE	XC000700AV	1
FILTRE À AIR	VH901800AV	1

Mémento: Gardez votre preuve datée d'achat à fin de la garantie! Joignez-la à ce manuel ou classez-la dans un dossier pour plus de sécurité.

GARANTIE LIMITÉE

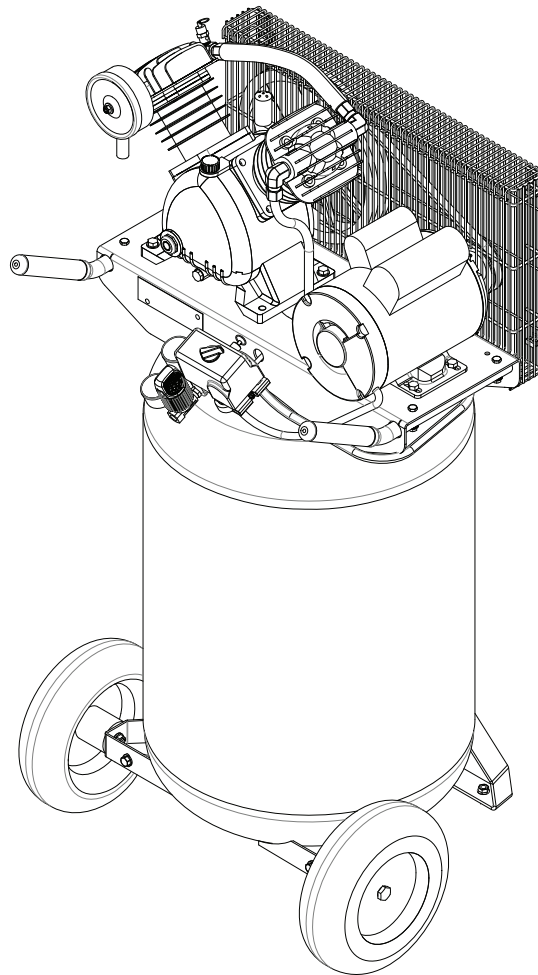
1. **DURÉE** : La présente garantie entre en vigueur à compter de la date d'achat par l'acheteur initial, et est d'une durée de trois ans.
2. **FOURNISSEUR DE LA PRÉSENTE GARANTIE** : Campbell Hausfeld a Marmon/Berkshire Hathaway Company, 350 Embury Drive, Leitchfield, KY, 42754. Visitez www.campbellhausfeld.com.
3. **BÉNÉFICIAIRE DE LA PRÉSENTE GARANTIE** : L'acheteur original du compresseur (qui a acheté l'appareil à des fins autres que la revente).
4. **PRODUITS COUVERTS PAR LA PRÉSENTE GARANTIE** : Le compresseur d'air.
5. **CE QUE LA PRÉSENTE GARANTIE COUVRE** : Les pièces et la main-d'oeuvre nécessaires au remplacement des pièces défectueuses au cours de la première année suivant la date d'achat, mises à part les exceptions ci-dessous. Seulement les pièces nécessaires au remplacement des pièces défectueuses au cours des deux dernières années de la garantie, mises à part les exceptions ci-dessous.
6. **CE QUE LA PRÉSENTE GARANTIE NE COUVRE PAS** :
 - A. Les garanties implicites, y compris les garanties de qualité marchande et de CONFORMITÉ À UN USAGE PARTICULIER, SONT LIMITÉES À COMPTER DE LA DATE D'ACHAT INITIALE TELLE QUE DÉFINIE À LA RUBRIQUE SUR LA DURÉE. Certains États ou certaines provinces ne permettent pas de limiter la durée des garanties implicites; les limitations indiquées ci-dessus peuvent ne pas s'appliquer dans votre cas.
 - B. LES PERTES, DOMMAGES OU DÉPENSES ACCESSOIRES, INDIRECTS OU CONSÉCUTIFS POUVANT RÉsulTER D'UNE DÉFECTUOSITÉ OU D'UNE DÉFAILLANCE DU PRODUIT CAMPBELL HAUSFELD. Certains États ou certaines provinces ne permettent pas d'exclure ou de limiter certains dommages accessoires ou consécutifs; les limitations ou les exclusions mentionnées ci-dessus peuvent ne pas s'appliquer dans votre cas.
 - C. Toute panne résultant d'un accident, d'un usage abusif, d'une négligence de l'utilisateur ou d'une utilisation du produit ne respectant pas les instructions du guide d'utilisation fourni avec le compresseur.
 - D. Tout entretien avant livraison, par exemple l'ajout d'huiles ou de lubrifiants, l'assemblage ou l'ajustement de l'appareil.
 - E. Les tâches et les éléments liés à l'entretien du produit, par exemple les lubrifiants, les filtres et les joints d'étanchéité.
 - F. Autres éléments non couverts par la présente garantie :
 1. Éléments exclus de la garantie pour tous les compresseurs :
 - a. Tout dommage survenu au cours de la livraison du produit ou causé par une installation ou une utilisation non conforme aux directives, ou consécutif au contact avec des outils ou l'environnement d'utilisation.
 - b. Une défaillance de la pompe ou d'une soupape causée par la pluie, l'humidité excessive, un environnement corrosif ou d'autres contaminants.
 - c. Des défauts esthétiques qui ne nuisent pas au fonctionnement du compresseur.
 - d. Un réservoir rouillé, y compris, sans s'y limiter, la rouille causée par une vidange inadéquate ou un environnement corrosif.
 - e. Après une période de un an à compter de la date d'achat, les éléments suivants ne sont pas couverts par la garantie, car ils sont considérés comme normaux : l'usure du moteur électrique, du clapet de non-retour, du pressostat, du régulateur, du manomètre, des tuyaux, des tubes, des conduites, des raccords, des vis, des écrous, de la quincaillerie, des courroies, des poulies, du volant, du filtre à air et de son boîtier, des joints, des joints d'étanchéité et des segments de piston, de même que les fuites d'huile, les fuites d'air et la consommation d'huile.
 - f. Les robinets de vidange du réservoir.
 - g. Les dommages causés par une tension ou un câblage inappropriés.
 - h. Les autres éléments non énumérés, mais considérés comme faisant partie de l'usure normale de l'appareil.
 - i. Les pressostats, les régulateurs d'air, les appareils de charge et de décharge, les dispositifs d'étranglement ainsi que les soupapes de sûreté dont le réglage effectué en usine a été modifié.
 - j. Les dommages causés par un mauvais entretien du filtre.
 - k. Les moteurs asynchrones alimentés par de l'électricité produite par une génératrice.
 2. Éléments exclus de la garantie pour tous les compresseurs lubrifiés :
 - a. Les dommages causés à la pompe ou aux soupapes par l'utilisation d'une huile inappropriée.
 - b. Les dommages causés à la pompe ou aux soupapes par l'utilisation d'une huile contaminée.
 - c. Les dommages causés à la pompe par le non-respect des directives d'entretien relatives à l'huile, ainsi que le fonctionnement de l'appareil en l'absence d'huile ou avec un niveau d'huile insuffisant.
 - G. Les frais de main-d'œuvre, d'appels de service et de transport engagés après une période de un an à compter de la date d'achat d'un compresseur fixe. Par définition, les compresseurs fixes ne comportent pas de poignées ni de roulettes.
7. **RESPONSABILITÉS DU FOURNISSEUR EN VERTU DE LA PRÉSENTE GARANTIE** : Réparer ou remplacer le compresseur ou l'une de ses pièces, à la discrétion du fournisseur de la garantie, si l'appareil présente un défaut ou un problème de fonctionnement pendant la période de garantie.
8. **RESPONSABILITÉS DE L'ACHETEUR EN VERTU DE LA PRÉSENTE GARANTIE** :
 - A. Fournir une preuve d'achat datée ainsi que le registre d'entretien de l'appareil.
 - B. Visitez www.campbellhausfeld.com pour découvrir vos options de service sous garantie. Les frais de transport seront à la charge de l'acheteur.
 - C. Manipuler soigneusement le compresseur pendant l'exécution des tâches liées à son fonctionnement et à son entretien, conformément aux directives du guide d'utilisation.
 - D. Le coût des réparations nécessitant des heures supplémentaires, effectuées aux taux de fin de semaine ou à un taux supérieur au taux standard de remboursement des frais de réparation en vertu de la garantie du fabricant.
 - E. Le temps nécessaire pour les vérifications de sécurité, la formation en matière de sécurité ou toute autre formation nécessaire à l'accès aux installations par le personnel d'entretien.
 - F. Veiller à ce que l'appareil soit situé dans un endroit facilement accessible permettant au personnel d'entretien d'effectuer les réparations.
9. **DÉLAI DE RÉPARATION OU DE REMPLACEMENT PAR LE FOURNISSEUR DE LA PRÉSENTE GARANTIE** : La réparation ou le remplacement de l'appareil se feront selon le flux normal de travail au centre de service et selon la disponibilité des pièces requises.

Cette garantie limitée est valable aux États-Unis, au Canada et au Mexique, et elle vous confère des droits précis. Il est possible que vous disposiez également d'autres droits, qui varient d'un État, d'une province ou d'un pays à l'autre.



Compresor de aire eléctrico

Manual de Instrucciones y Lista de Piezas



Modelos: CE1000 y XC302100





Por favor, lea y guarde estas instrucciones. Lealas cuidadosamente antes de tratar de montar, instalar, operar o dar mantenimiento al producto aquí descrito.

Protejase usted mismo y a los demás observando toda la información de seguridad. ¡El no cumplir con las instrucciones puede ocasionar daños, tanto personales como a la propiedad! Guarde estas instrucciones para referencia en el futuro.

RECORDATORIO: ¡guarde su comprobante de compra con fecha para fines de la garantía! Adjúntela a este manual o archívela en lugar seguro.

Para ordenar repuestos, información de productos y servicios visítenos en www.campbellhausfeld.com

Modelo #: _____

No. de Serie #: _____

Fecha de Compra: _____

Campbell Hausfeld
350 Embry Drive
Leitchfield, KY, 42754

**¡REGISTRE SU PRODUCTO EN LÍNEA AHORA MISMO! www.campbellhausfeld.com/reg
LEA Y SIGA TODAS LAS INSTRUCCIONES • GUARDE ESTAS INSTRUCCIONES • NO LAS DESECHE**



ANTES DE COMENZAR

Descripción

Las unidades de compresor de aire están diseñadas para proporcionar aire comprimido para herramientas neumáticas, para operar pistolas rociadoras y para suministrar aire a válvulas y actuadores neumáticos. Las bombas suministradas con estas unidades tienen rodamientos lubricados con aceite. Hay una pequeña cantidad de aceite presente en el flujo de aire comprimido. Las aplicaciones que requieran de aire libre de vapores de aceite deben tener instalados los filtros apropiados. Cualquier otro uso de estas unidades anulará la garantía y el fabricante no será responsable de los problemas o daños causados por este mal uso.

REFERENCIA RÁPIDA
Aceite recomendado (2 opciones)
Aceite no detergente para compresor de una sola viscosidad SAE 30 ISO100. Número de parte ST125303AV (0.47 L) o ST126701AV (3.79 L).
Aceite sintético 10W30 como el Mobil 1® o CE0032 (0.95 L).
Capacidad de aceite
Aproximadamente 449.46 mL

DESEMPAQUE

⚠ PRECAUCION *Nunca alce o mueva la unidad sin usar un equipo adecuado. Cerciórese de que la unidad esté bien segura. No la tome por los tubos o piezas del sistema de enfriamiento para levantarla. No use la unidad para alzar otros equipos.*

Después de desempacar la unidad, inspecciónela cuidadosamente para detectar cualquier daño que pueda haber ocurrido durante el envío. Verifique que no haya piezas sueltas, faltantes ni dañadas. Asegúrese de que todos los accesorios proporcionados vengan con la unidad. En caso de que tenga preguntas, o de que haya piezas dañadas o faltantes, por favor visite www.campbellhausfeld.com para asistencia al cliente.

⚠ ADVERTENCIA *No debe utilizar la unidad si se ha dañado durante el envío, manejo o uso. Los daños podrían ocasionar una explosión y ocasionarle heridas o daños a su propiedad.*

Artículos requeridos - No incluidos

- Manguera de aire
- Sellador para rosca de tubos

INSTRUCCIONES GENERALES DE SEGURIDAD

Lineamientos de seguridad

Este manual contiene información que es muy importante que se conozca y comprenda. Esta información se proporciona con fines de SEGURIDAD y para EVITAR PROBLEMAS CON EL EQUIPO. Para ayudar a reconocer esta información, observe los siguientes símbolos.

PELIGRO

Peligro indica una situación inminentemente peligrosa, que si no se evita, dará como resultado la muerte o lesiones graves.

ADVERTENCIA

Advertencia indica una situación potencialmente peligrosa, que si no se evita, PODRÍA ocasionar la muerte o lesiones graves.

PRECAUCION

Precaución indica una situación potencialmente peligrosa, que si no se evita, PUEDE dar como resultado lesiones leves o moderadas.

AVISO

Aviso indica una información importante, que de no seguirla, le podría ocasionar daños al equipo.

IMPORTANTE o NOTA: información que requiere atención especial.

Símbolos de Seguridad

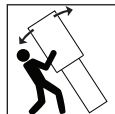
Los siguientes símbolos de seguridad aparecen a lo largo de este manual para advertirle de importantes peligros y precauciones de seguridad.



Use protección para los ojos y máscara



Lea primero el manual



Pesado en la parte superior



Riesgo de incendio



Riesgo de piezas móviles



Riesgo de piezas calientes



Riesgo de explosión



Riesgo de vapores



Riesgo de presión



Riesgo de choque eléctrico

Proposición 65 de California

ADVERTENCIA

Este producto puede exponerlo a sustancias químicas, incluyendo el plomo. Además, el estado de California reconoce que ocasionan cáncer y defectos congénitos u otros daños reproductivos.

Para obtener más información, visite el sitio web www.P65Warnings.ca.gov.

ADVERTENCIA

Cuando corta lija, taladra o pule materiales como por ejemplo madera, pintura, metal, hormigón, cemento, u otro tipo de mampostería se puede producir polvo. Con frecuencia este polvo contiene productos químicos que se conocen como causantes de cáncer, defectos congénitos u otros daños reproductivos. Use equipo de protección.



Ley de Prevención de Envenenamiento por Plomo de Illinois

ADVERTENCIA

CONTIENE PLOMO. PUEDE SER NOCIVO SI SE INGIERE O MASTICA. CUMPLE CON LAS NORMAS FEDERALES.

Importantes Instrucciones De Seguridad

Sírvase leer y guardar estas instrucciones. Lea con cuidado antes de tratar de armar, instalar, manejar o darle servicio al producto descrito en este manual. Protéjase Ud. y a los demás observando todas las reglas de seguridad. El no seguir las instrucciones podría resultar en heridas y/o daños a su propiedad. Guarde este manual como referencia.

Este manual contiene información sobre seguridad, funcionamiento y mantenimiento. Si tiene preguntas, por favor visite www.campbellhausfeld.com para asistencia al cliente.

⚠ PELIGRO

ADVERTENCIA SOBRE EL AIRE RESPIRABLE

Este compresor/cabezal no viene listo de fábrica para suministrarle aire respirable. Antes de utilizarlos con este fin, deberá instalarle un sistema de seguridad y alarma incorporado a la línea. Este sistema adicional es necesario para filtrar y purificar el aire adecuadamente, para cumplir con las especificaciones mínimas sobre aire respirable de Grado D descritas en la Especificación de Productos G 7.1 de la Asociación de Aire Comprimido. Igualmente, deberá cumplir los requisitos establecidos por el Artículo 29 CFR 1910. 134 de la Organización norteamericana OSHA y/o la Canadian Standards Associations (CSA).

RENUNCIA A LAS GARANTIAS

Si el compresor se utiliza para producir aire respirable SIN haberle instalado el sistema de seguridad y alarma, todas las garantías se anularán y el fabricante no asumirá NINGUNA responsabilidad por pérdidas, heridas personales o daños.

Generales Seguridad

Como el compresor de aire y otros componentes usados (bomba de material, pistolas pulverizadoras, filtros, lubricadores, mangueras, etc.) integran un sistema de alta presión, en todo momento deberá seguir las siguientes medidas de seguridad:



- Lea con cuidado todos los manuales incluidos con este producto. Familiarícese con los controles y el uso adecuado del equipo.
- Siga todos los códigos de seguridad laboral y electricidad establecidos en su país, por ejemplo, los de la NEC y OSHA en EUA.
- Este compresor sólo debe ser usado por personas que estén bien familiarizadas con las reglas de seguridad de manejo.
- Mantenga a los visitantes alejados y NUNCA permita la presencia de niños en el área de trabajo.
- Siempre use anteojos de seguridad y protéjase los oídos para operar el cabezal o el compresor.
- No se encarama sobre el cabezal, ni lo use para sostenerse.
- Antes de cada uso, inspeccione el sistema de aire comprimido y los componentes eléctricos para ver si están dañados, deteriorados, desgastados o tienen fugas. Repare o reemplace las piezas dañadas antes de usar el equipo.
- Chequee todas las conexiones frecuentemente para cerciorarse de que estén bien apretadas.

⚠ ADVERTENCIA Este compresor es extremadamente pesado. Tenga cuidado al mover la unidad y asegúrese de colocarla en una superficie nivelada cuando la use.

⚠ ADVERTENCIA Nunca instale una válvula de cierre entre la bomba del compresor y el tanque.

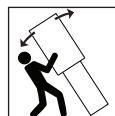
⚠ ADVERTENCIA Los motores, equipos eléctricos y controles, pueden ocasionar arcos eléctricos que se encenderían con gases o vapores inflamables. Nunca utilice o repare el compresor cerca de gases o vapores inflamables. Nunca almacene líquidos o gases inflamables cerca del compresor.

⚠ ADVERTENCIA Nunca utilice el compresor sin la tapa de las bandas. Los compresores se pueden encender automáticamente sin previo aviso. Las piezas en movimiento podrían ocasionarle heridas o daños a su propiedad.

- No se ponga ropa muy holgada o joyas, ya que éstas se le podrían enredar en las piezas en movimiento.

⚠ PRECAUCION Las piezas del compresor podrían estar calientes, inclusive cuando la unidad esté apagada.

- Mantenga los dedos alejados del compresor cuando éste esté funcionando; las piezas en movimiento o calientes, le ocasionarían heridas y/o quemaduras.



INSTRUCCIONES GENERALES DE SEGURIDAD (CONTINUACIÓN)

- Si el equipo comienza a vibrar excesivamente, APAGUE el motor y chequéelo inmediatamente para determinar la razón. Generalmente, la vibración excesiva se debe a una falla.
- Para reducir el peligro de incendio, mantenga el exterior del motor libre de aceite, solventes o exceso de grasa.

⚠ ADVERTENCIA *DEBE instalarle una válvula de seguridad ASME que esté diseñada para presiones máximas de 13,8 bar, en el tanque de este compresor. Esta válvula debe estar diseñada para los valores máximos de flujo y presión para proteger los componentes contra el peligro de explosión.*

⚠ PRECAUCIÓN *Consulte la presión máxima de operación en las especificaciones del compresor. No lo utilice con el presostato o las válvulas piloto fijados a presiones que excedan las especificaciones.*

⚠ ADVERTENCIA *La presión de operación máxima es 12,1 bar para compresores de etapa única. No opere con el interruptor de presión o las válvulas de piloto configuradas a más de 12,1 bar (2 etapas).*

- Nunca trate de ajustar la válvula de seguridad ASME. Evite que se le acumule pintura u otro residuos.

⚠ ADVERTENCIA *Nunca use tuberías de plástico (PVC) con aire comprimido. Ésto podría ocasionarle heridas graves.*

⚠ ADVERTENCIA *¡Nunca trate de reparar o modificar el tanque! Si lo suelda, taladra o modifica de cualquier otra manera, el tanque se debilitará y podría romperse o explotar. Siempre reemplace los tanques desgastados, rotos o dañados.*

AVISO

Drene el líquido del tanque diariamente.

- Los tanques se oxidan debido a la acumulación de humedad y ésto debilita el tanque. Cerciórese de drenar el tanque con regularidad e inspeccionarlo periódicamente, para ver si está en malas condiciones, por ejemplo, si está oxidado.
- La circulación rápida de aire podría levantar polvo y desperdicios dañinos. Siempre libere el aire lentamente para drenar el tanque o liberar la presión del sistema.

Precauciones Para Rociar

⚠ ADVERTENCIA *Nunca rocíe materiales inflamables cerca de llamas al descubierto o fuentes de ignición, incluyendo el compresor.*

- No fume mientras esté rociando pintura, insecticidas u otras sustancias inflamables.
- Use una máscara/respirador cuando vaya a rociar y siempre rocíe en un área bien ventilada, para evitar peligros de salud e incendios.
- Nunca rocíe pintura ni otros materiales, directamente hacia el compresor. Coloque el compresor lo más lejos posible del área de trabajo, para minimizar la acumulación de residuos en el compresor.
- Al rociar o limpiar con solventes o químicos tóxicos, siga las instrucciones del fabricante de dichos químicos.

Los símbolos de **PELIGRO**, **ADVERTENCIA**, **PRECAUCIÓN** y **AVISO** y las instrucciones en este manual no pueden posiblemente cubrir todas las condiciones y situaciones posibles que puedan presentarse. El usuario debe entender que las precauciones y el sentido común son factores que no pueden incorporarse en este producto: es el usuario mismo quien debe contribuirlos.

**GUARDE ESTAS INSTRUCCIONES –
NO LAS DESECHE**



ESPECIFICACIONES

	CE1000	XC302100
HP	2	2
Número de Cilindros	2	2
Número de etapas	2	2
Suministro de aire a 6.2 bar	150.1 L/min	150.1 L/min
Voltaje	120* voltios / 15 Amps 240 voltios / 7.5 Amps * Cableado de fábrica	120* voltios / 15 Amps 240 voltios / 7.5 Amps * Cableado de fábrica
Presión máxima	12,1 bar	12,1 bar
Capacidad de aceite	449.46 mL	449.46 mL
Tamaño de salida del tanque	1/4 NPT	1/4 NPT
Peso	80.74 kg	80.74 kg

DIMENSIONS

	CE1000	XC302100
Long.	58.42 cm (23 pulg.)	58.42 cm (23 pulg.)
Anch.	60.96 cm (24 pulg.)	60.96 cm (24 pulg.)
Alt.	116.84 cm (46 pulg.)	116.84 cm (46 pulg.)

CONOZCA SU UNIDAD

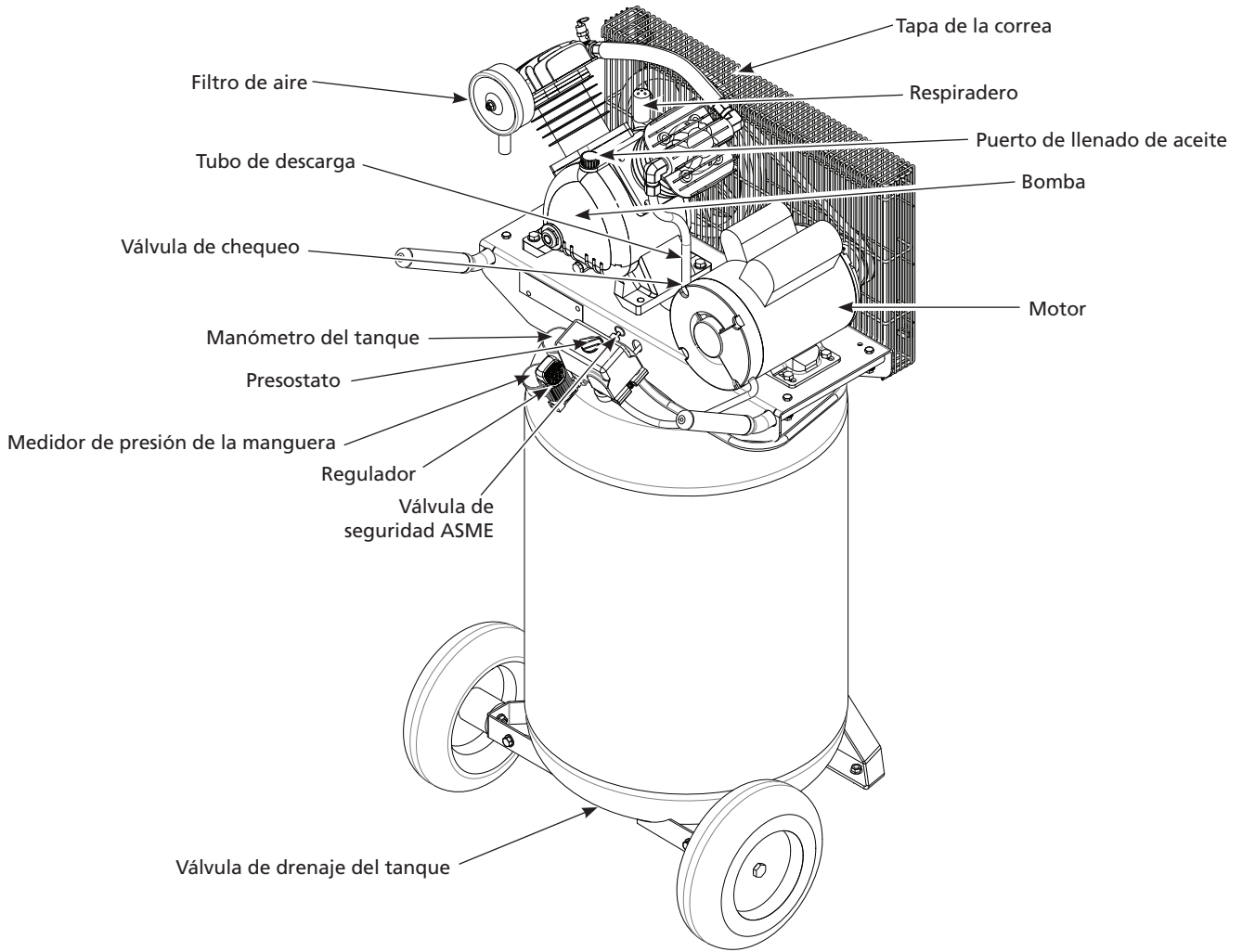


Figura 1 - Identificación de la unidad

CONOZCA SU UNIDAD

Interruptor de presión - Automático/Apagado Interruptor - En la posición automático , el compresor se apaga automáticamente cuando el la presión del tanque alcanza la presión máxima preestablecida. Luego de que el aire del tanque se usa y cae a un nivel bajo preestablecido, el interruptor de presión enciende el motor automáticamente otra vez. En la posición apagado el compresor no funcionará. El interruptor debe estar en la posición apagado cuando se conecta o desconecta la energía de la unidad.

Cuando el interruptor de presión apague el motor escuchará durante un breve tiempo, el aire que sale de la válvula de descarga del interruptor de presión. Esto libera la presión del aire del tubo de descarga y permite que el compresor se reinicie fácilmente.

Válvula de seguridad ASME - Esta válvula libera aire automáticamente si la presión del tanque excede el máximo preestablecido.

Tubo de descarga - Este tubo conduce aire comprimido desde la bomba a la válvula de control. El tubo alcanza temperaturas muy altas durante su uso. Para evitar el riesgo de quemaduras severas, nunca toque el tubo de descarga.

Válvula de control - Válvula de una sola vía que permite al aire entrar al tanque y evita que vuelva hacia la bomba del compresor.

Protección de la correa - Cubre la correa, la polea y el volante del motor.

Válvula de desagüe del tanque - Esta válvula está ubicada en la parte inferior del tanque. Utilice esta válvula para desaguar la humedad del tanque todos los días y así reducir el riesgo de corrosión.

Indicador de presión del tanque - Indica la cantidad de presión de aire almacenada en el tanque.

Indicador de presión de la manguera - Indica la cantidad de presión de aire en la manguera utilizado para operar las herramientas. Esta presión aumenta o disminuye por medio del regulador.

Regulador - El regulador controla la cantidad de presión de aire liberado por la salida de la manguera.

Filtro de aire - Mantiene las partículas grandes fuera del aire que fluye hacia el compresor.

Ventilación - Ventilación del cigüeñal.

Puerto de llenado de aceite - puerto que se utiliza para rellenar el aceite de la bomba después de los cambios de aceite o cuando su nivel es bajo.

Bomba - bomba del compresor de aire de 2 etapas de hierro fundido que genera aire comprimido.

Motor - fuente de alimentación que impulsa la bomba para crear aire comprimido.

INSTRUCCIONES DE INSTALACIÓN



⚠ ADVERTENCIA

Desconecte el cordón eléctrico, amárrelo y aléjelo del tomacorrientes, después libere toda la presión del tanque antes de tratar de instalar el compresor, darle servicio, moverlo de sitio o darle cualquier tipo de mantenimiento.

⚠ PRECAUCION

Nunca alce o mueva la unidad sin usar un equipo adecuado. Cerciórese de que la unidad esté bien segura. No la tome por los tubos o piezas del sistema de enfriamiento para levantarla. No use la unidad para alzar otros equipos.

⚠ PRECAUCION

Nunca instale el compresor sobre la base de madera en la que se envió de la fábrica.

AVISO

Este compresor no está diseñado para su instalación en exteriores.

Preparación

Antes de comenzar a instalar y/o ensamblar el producto, asegúrese de tener todas las piezas. Compare las piezas con la lista del contenido del paquete. No intente ensamblar ni usar el producto si falta alguna pieza o si éstas están dañadas.

⚠ ADVERTENCIA

No opere la unidad si se ha dañado durante el envío, manipulación o uso. Causaría una explosión y provocaría lesiones o daño a la propiedad.

Tiempo estimado de instalación y ensamblaje: 20 minutos

Herramientas necesarias para el ensamblaje y la instalación (no se incluyen): Gafas de seguridad; guantes de trabajo; dado y trinquete de 1,43 cm, arandela ajustable.

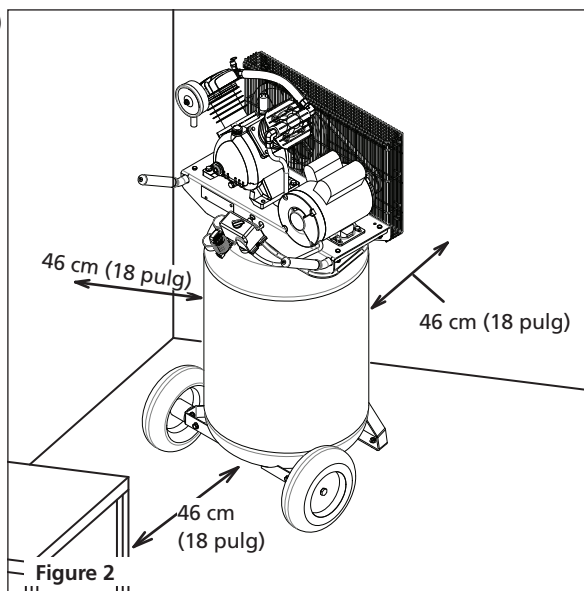
INSTRUCCIONES DE INSTALACIÓN (CONTINUACIÓN)

Elección Del Lugar

Use la unidad al menos a 46 cm (18 pulg.) de cualquier obstrucción, en un área limpia y bien ventilada. La temperatura del medio ambiente no debe exceder los 38,08 °C. Ésto le garantizará el flujo normal de aire para enfriar el compresor y suficiente espacio para darle mantenimiento.

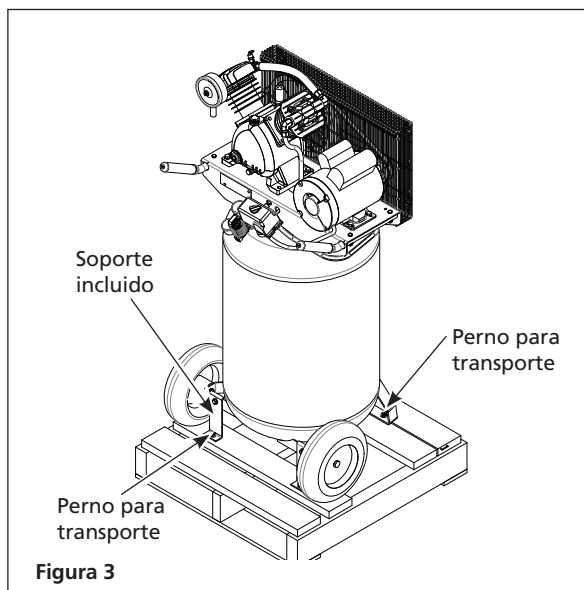
PRECAUCION *Nunca coloque la entrada de aire del compresor cerca de un área donde haya vapor, donde se rocíe pintura o arena, o haya otras fuentes de contaminación.*

NOTA: Cuando utilice el compresor en un ambiente cálido y húmedo le debe suministrar aire limpio y seco del exterior al cabezal. Utilice una tubería para suministrarle el aire del exterior.

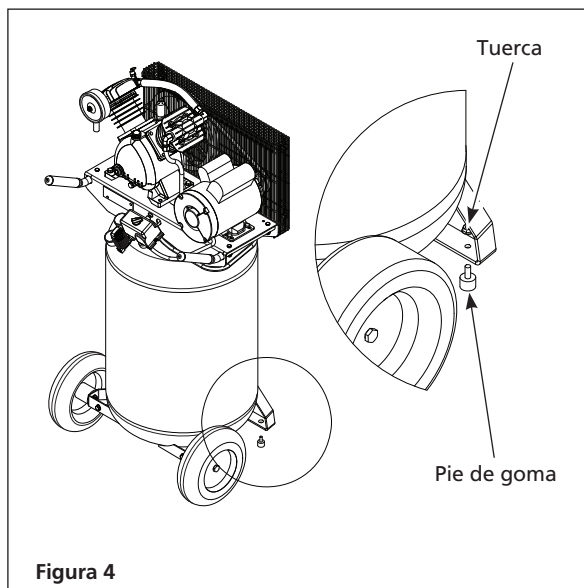


Instrucciones de ensamblaje

1. Desatornille la unidad del bastidor de sujeción. Utilice un torniquete con dados de 1,43 cm. Retire la unidad del bastidor. Deseche los aditamentos de envío una vez retirados. Vea la Figura 3.



2. Instale el pie de goma con las tuercas y arandelas. Vea la Figura 4.



3. Instale el filtro de aire. Vea la Figura 5.

Lubricacion

⚠ PRECAUCION *ESTA UNIDAD NO TIENE ACEITE. Antes de utilizar el compresor. Llene hasta el centro del calibrador visual (ver Figura 7).*

⚠ PRECAUCION *Si utiliza cualquier otro tipo de aceite podria disminuir la duracion del cabezal y dañar las válvulas.*

Aceite recomendado (2 opciones)

Aceite no detergente para compresor de una sola viscosidad SAE 30 ISO100. Número de parte ST125303AV (0.47 L) o ST126701AV (3.79 L).

Aceite sintético 10W30 como el Mobil 1® o CE0032 (0.95 L).

Capacidad de aceite

Aproximadamente 449.46 mL

Retire la tapa del recipiente de aceite de la bomba. Verifique el nivel de aceite; algunos modelos se envían con aceite en la bomba. Agregue aceite si es necesario. Llene la bomba con aceite hasta el centro del calibrador visual usando la abertura de llenado de aceite (ver Figura 7). Coloque otra vez la tapa del recipiente de aceite de la bomba. **NO llene la bomba a través de la abertura de la tapa de la válvula de aire ya que esto podría causar una pérdida de aceite y que la misma rociara durante el funcionamiento.**

No utilice aceite común para automóviles. Los aditivos del aceite común de motor pueden causar depósitos en la válvula y reducir la vida útil de la bomba.

Para obtener la vida útil máxima para la bomba, drene y reemplace el aceite luego de las primeras 50 horas de tiempo de funcionamiento y, luego, siga el programa de mantenimiento regular que se describe más adelante en el manual.

Esta bomba tiene una ventanilla para ver el aceite, como se muestra en la figura 6. El nivel de aceite se puede monitorear y mantener como se muestra en la figura 7.

NOTA: puede haber algo de aceite residual aún en la bomba por las pruebas realizadas en la fábrica que dejan una capa fina en el calibrador visual, sin embargo, no hay aceite suficiente para hacer funcionar la unidad.

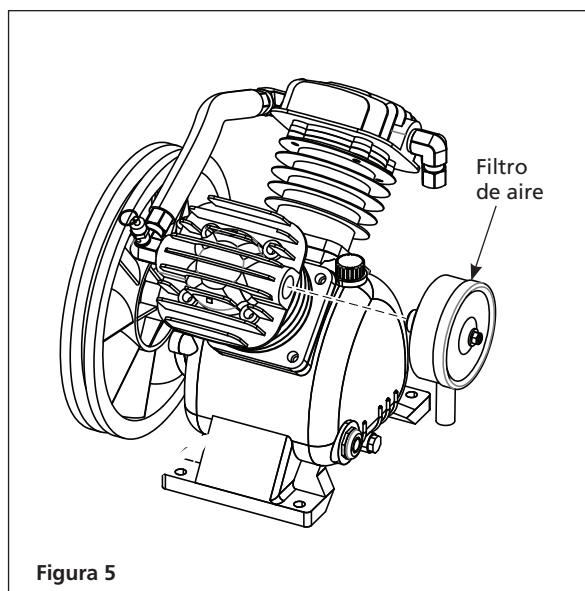


Figura 5

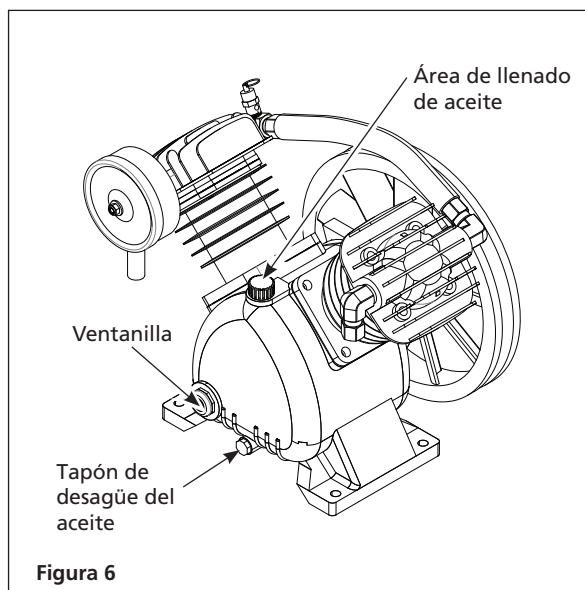


Figura 6

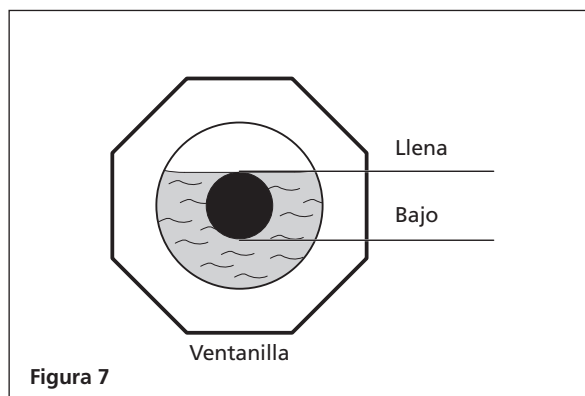


Figura 7

INSTRUCCIONES DE INSTALACIÓN (CONTINUACIÓN)

Información eléctrica

⚠ PELIGRO

Los motores con conexión a tierra inadecuada poseen riesgo de descarga. Asegúrese de que todo el equipo esté debidamente conectado a tierra.

⚠ ADVERTENCIA

La instalación inapropiada del enchufe con puesta a tierra puede causar riesgo de descarga eléctrica. Cuando se necesita reparar o reemplazar el cable o el enchufe, no conecte el cable de puesta a tierra a un terminal de pala plano. El cable con aislamiento que tiene una superficie exterior verde con o sin rayas amarillas es el cable de puesta a tierra.

⚠ ADVERTENCIA

Si el sistema de alambrado no se instala adecuadamente podría ocasionar sobrecalentamiento, cortocircuitos e incendios.

⚠ ADVERTENCIA

Desconecte, etiquete y bloquee la fuente de alimentación y libere toda la presión del sistema antes de intentar instalar, reparar, cambiar la ubicación o realizar cualquier tipo de mantenimiento.

AVISO

El daño del motor debido a una conexión o voltaje eléctrico inadecuados, anularán la garantía.

NO UTILICE UN CABLE DE EXTENSIÓN, UTILICE UNA MANGUERA DE AIRE COMPRIMIDO MÁS LARGA.

Las unidades de 120 voltios, 15 amperes pueden ser operadas con un circuito bajo las siguientes circunstancias:

1. Que no haya otros electrodomésticos o luces conectados en la misma derivación de circuito.
2. Que el voltaje sea de 120 voltios.
3. Que el circuito esté equipado con un interruptor de circuito de 15 amperes o un fusible de acción retardada de 15 amperes tipo T (Para Canadá utilice tipo D).
4. Que el largo del conductor de cobre entre la salida y el interruptor de circuito no sea de más de 12,20 m de 14 AWG o 21,33 m de 12 AWG.

Conexion a Tierra

⚠ ADVERTENCIA

Los artefactos eléctricos conectados a tierra incorrectamente constituyen un riesgo de electrocutamiento. Cerciórese de que todas las conexiones a tierra estén hechas adecuadamente para evitar la muerte o heridas de gravedad.

Este producto debe tener una puesta a tierra. En caso de un cortocircuito, la puesta a tierra reduce el riesgo de descarga eléctrica al proporcionar un cable de escape para la corriente eléctrica. Este producto está equipado con un cable que cuenta con un conductor de puesta a tierra y un enchufe con puesta a tierra adecuado. El enchufe debe conectarse solo a un tomacorriente correctamente instalado y con puesta a tierra que cumpla con todas las ordenanzas y códigos locales. No use un adaptador para puesta a tierra.

⚠ ADVERTENCIA

El uso incorrecto del enchufe con puesta a tierra puede causar un riesgo de descarga eléctrica. El enchufe se debe conectar a un tomacorriente correctamente instalado por un electricista calificado y con una puesta a tierra que cumpla con todos los códigos y las ordenanzas locales.

Este producto viene listo de fábrica para usar en un circuito nominal de 120 voltios y tiene un enchufe de puesta a tierra similar al enchufe ilustrado en la Figura 8. Si las condiciones enumeradas no se cumplen o si se apaga el dispositivo de protección de corriente, puede operarse el compresor desde un circuito de 120 voltios 20 amperes. Consulte la figura 8.

Verifique la placa de datos del motor para ver si es compatible a 240 voltios. Una unidad de 240 voltios se debe operar en un circuito de 240 voltios. El cable sólo de debe enchufar en un tomacorriente de puesta a tierra de 240 voltios y puede requerir un nuevo cable y un nuevo enchufe. Consulte la figura 29. Este producto se puede modificar para que funcione a 240 voltios. Para hacerlo, se

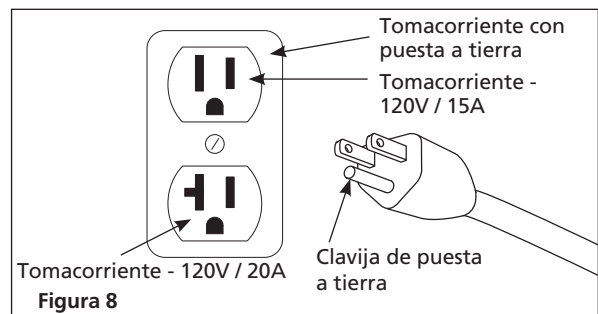


Figura 8

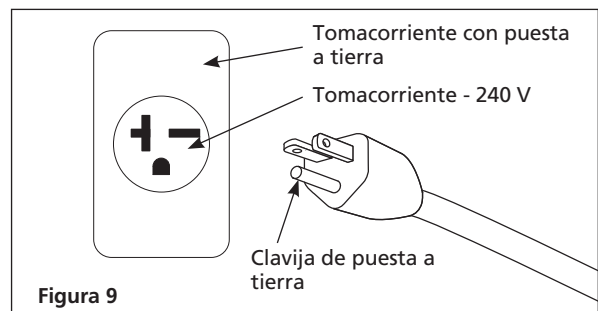
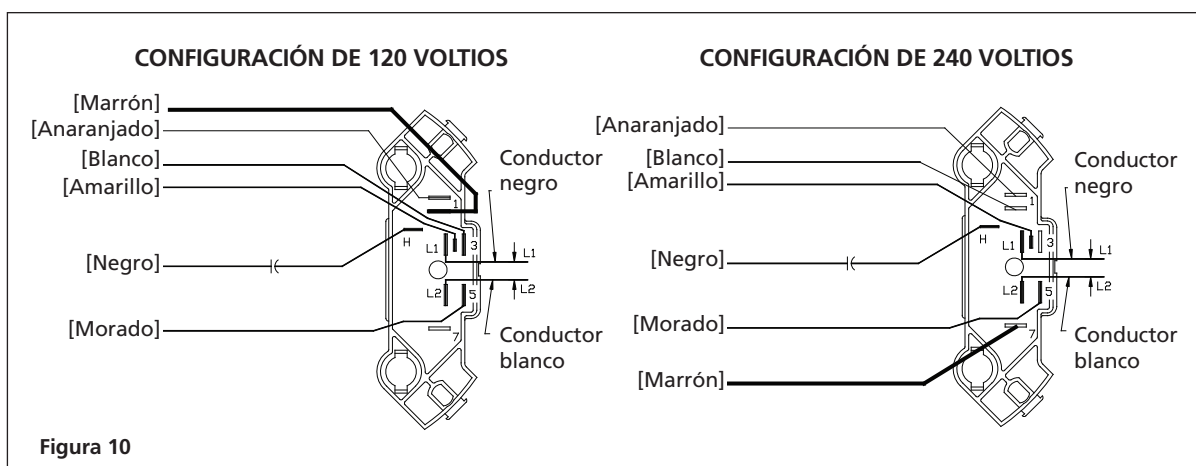


Figura 9



debe comprar e instalar un cable de alimentación de 240 voltios en la unidad, y se debe cablear hasta el interruptor de presión de la misma forma que el cable de 120 voltios. El panel en la parte posterior del motor se debe abrir y los terminales de bandera se deben mover para que el cable marrón del terminal #1 esté en el terminal #7 y el cable blanco que está en el terminal #3 se debe mover al terminal #1 (donde estaba originalmente el cable marrón). Consulte la Figura 10.

⚠ ADVERTENCIA *Todo el cableado y las conexiones eléctricas deben ser realizadas por un electricista calificado. La instalación debe cumplir con los códigos locales y los códigos eléctricos nacionales. Si no tiene una correcta puesta a tierra, esta herramienta puede ocasionar una descarga eléctrica, en especial si se usa en lugares húmedos cerca de tuberías o en el exterior.*

⚠ ADVERTENCIA *La instalación de un enchufe de puesta a tierra puede causar una descarga eléctrica. Si necesita reparar o reemplazar el cable o el enchufe, no conecte el cable de puesta a tierra a un terminal de clavija plana. El cable con aislamiento que tiene una superficie exterior verde con o sin rayas amarillas es el cable de puesta a tierra. Nunca conecte el cable verde (o verde y amarillo) a un terminal activo.*

Verifique con un electricista calificado o un técnico si no comprendió completamente las instrucciones de puesta a tierra o si tiene dudas de si el producto tiene una puesta a tierra adecuada. No modifique el enchufe proporcionado. Si este no encaja en el tomacorriente, pídale a un electricista calificado que instale el tomacorriente adecuado. Solo conecte el producto a un tomacorriente con la misma configuración que el enchufe. No utilice un adaptador con este producto.

INSTRUCCIONES DE OPERACIÓN

Arranque / Procedimiento básico

⚠ ADVERTENCIA No utilice herramientas neumáticas para abrir el extremo de la manguera hasta que se complete el arranque y la revisión de la unidad esté correcta.

⚠ ADVERTENCIA ¡Nunca desconecte las uniones roscadas con presión en el tanque!

1. Verifique el nivel de aceite según las instrucciones de la sección de lubricación de este manual.
2. Abra la válvula de desagüe inferior del tanque (consulte la figura 11). Gire la válvula de salida para abrir el flujo de aire.
3. Enchufe la unidad.
4. Mueva el interruptor de presión a la posición de **AUTOMÁTICO** para hacer funcionar la unidad (consulte la figura 12).
5. Haga funcionar la unidad por treinta (30) minutos a cero (0) bar (sin carga) para asentar las partes de la bomba.
6. Mueva la palanca o perilla del interruptor de presión a la posición de **APAGADO** y gire la válvula de desagüe del tanque para cerrar el flujo de aire. El compresor está listo para usarse.
7. Cambie el aceite después de las primeras cincuenta (50) horas de funcionamiento. Realice cambios de aceite cada tres (3) meses o doscientas (200) horas de tiempo de funcionamiento, lo que ocurra primero.

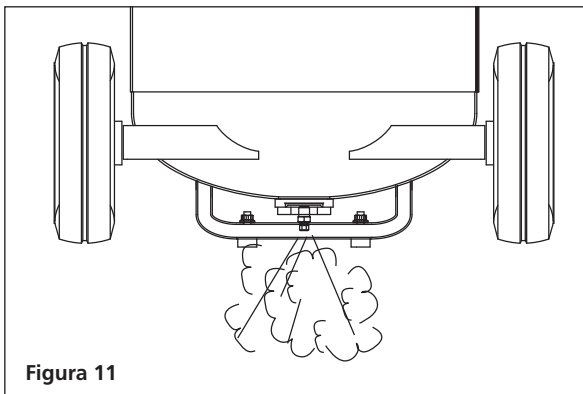


Figura 11

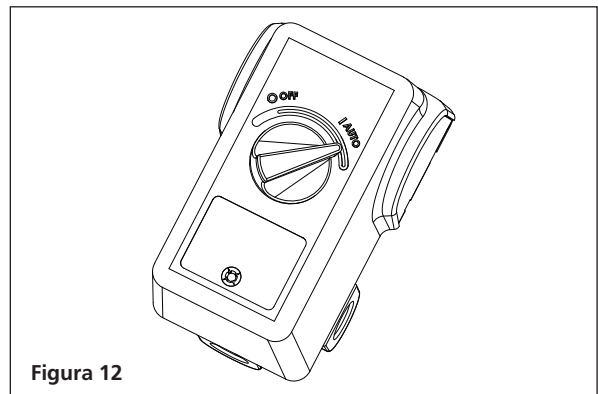


Figura 12

Uso del compresor

Es muy importante operar el compresor en un área limpia y bien ventilada donde la temperatura del aire circundante no sea más de 37,8 °C. No coloque la entrada de aire del compresor cerca de vapor, atomizadores de pintura o cualquier otra fuente de contaminación.

Ciclos de encendido/apagado del compresor

⚠ ADVERTENCIA Desagüe el tanque a diario para prevenir la corrosión y posibles lesiones debido a daños en el tanque. No opere el desagüe con más de 2,8 bar en el tanque, de lo contrario, la válvula de desagüe puede dañarse. Desagüe el tanque de humedad todos los días usando la válvula de desagüe inferior del tanque.

AVISO

Desagüe líquidos del tanque todos los días.

En la posición **AUTOMÁTICO** el compresor bombea aire al tanque. Cuando se alcanza la presión de apagado ("presión de apagado" preestablecida), el compresor se apagará automáticamente.

Si se deja el compresor en la posición de **AUTOMÁTICO** y el aire se agota por el uso de un regulador para neumáticos, herramienta, etc., el compresor se reiniciará automáticamente en la "presión de encendido" preestablecida. Cuando se utiliza una herramienta en forma continua, el compresor alternará automáticamente entre encendido y apagado.

En la posición **APAGADO** el compresor no funcionará.

HUMEDAD EN EL AIRE COMPRIMIDO

La humedad que se acumula en el aire comprimido se convierte en gotas a medida que sale de la bomba. Cuando el nivel de humedad es muy alto o cuando el compresor ha estado en uso continuo por mucho tiempo, esta humedad se acumulará en el tanque. Cuando esté pintando o rociando arena, la humedad saldrá del tanque mezclada con el material que esté rociando.

IMPORTANTE: Esta condensación ocasionará manchas en la pintura, especialmente cuando esté pintando con pinturas que no sean a base de agua. Si está rociando arena, la humedad hará que la arena se aglutine y obstruya la pistola. Un filtro en la línea de aire, ubicado lo más cerca posible de la pistola, ayudará a eliminar esta humedad.

NOTAS

GUÍA DE DIAGNÓSTICO DE AVERÍAS

PROBLEMA	POSIBLE(S) CAUSA(S)	ACCIÓN A TOMAR
Baja presión de descarga	<ol style="list-style-type: none"> 1. La demanda de aire excede la capacidad de la bomba 2. Pérdidas de aire (conectores, tuberías del compresor, o plomería exterior al sistema) 3. Entrada de aire restringida 4. Juntas defectuosas 5. Válvulas dañadas o con pérdidas. 	<ol style="list-style-type: none"> 1. Reduzca la demanda de aire o utilice un compresor de mayor capacidad. 2. Escuche para detectar pérdidas de aire. Aplique una solución jabonosa a todos los accesorios y conexiones. Aparecerán burbujas en los puntos donde existan pérdidas. Ajuste o reemplace los accesorios o conexiones con pérdidas. Utilice cinta selladora para roscas. 3. Limpie o reemplace el filtro de aire. 4. Reemplace cualquier junta que pruebe estar defectuosa al inspeccionarla. 5. Quite el cabezal e inspecciónelo para detectar posibles roturas de la válvula, válvulas desalineadas, asientos de válvulas dañados, etc. Reemplace las piezas defectuosas y vuelva a armar. <p>⚠ PRECAUCION <i>Instale una nueva junta para el cabezal cada vez que éste sea quitado.</i></p>
Ruido excesivo (golpeteo)	<ol style="list-style-type: none"> 1. La polea del motor o el volante están sueltos 2. Sujetadores sueltos en la bomba o el motor 3. Falta de aceite en el cárter 4. Biela gastada 5. Diámetros del eje del émbolo desgastados 6. El émbolo pega contra la placa de la válvula 7. Válvula de verificación ruidosa en el sistema del compresor 	<ol style="list-style-type: none"> 1. Apriete los pernos de la abrazadera y tornillos de fijación de la polea / volante. 2. Apriete los sujetadores. 3. Controle si el nivel de aceite es el adecuado; si está bajo, verifique la posibilidad de que los cojinetes estén dañados. El aceite sucio puede causar un desgaste excesivo. 4. Reemplace la biela. Mantenga el nivel de aceite y cambie el aceite con más frecuencia. 5. Quite los ensamblajes del émbolo del compresor e inspecciónelos para detectar un desgaste excesivo. Reemplace el eje del émbolo(s) si está excesivamente desgastado o según necesario. Mantenga el nivel de aceite y cambie el aceite con más frecuencia. 6. Quite el cabezal del compresor y la placa de la válvula e inspeccione para detectar depósitos de carbón u otros elementos extraños en la cabeza del émbolo. Vuelva a colocar el cabezal y la placa de la válvula utilizando una junta nueva. Consulte la sección de lubricación para el aceite recomendado. 7. Reemplace la válvula de control. <p>⚠ PELIGRO <i>No desarme la válvula de verificación con presión de aire en el tanque.</i></p>
<p>Aceite excesivo en el aire de descarga.</p> <p>NOTA: En un compresor lubricado con aceite siempre hay una pequeña cantidad de aceite en el flujo de aire.</p>	<ol style="list-style-type: none"> 1. Aros del émbolo desgastados 2. La entrada de aire del compresor está restringida 3. Demasiado aceite en el compresor 4. Viscosidad del aceite equivocada 	<ol style="list-style-type: none"> 1. Reemplácelos con aros nuevos. Mantenga el nivel de aceite y cambie el aceite con más frecuencia. 2. Limpie o reemplace el filtro. Verifique si hay otras restricciones en la entrada del sistema. 3. Escúrralo hasta que alcance el nivel de lleno. 4. Utilice Mobil 1® 10W-30 o sintético completo.
Agua en el aire de salida o en el tanque	Operación normal. La cantidad de agua aumenta con el clima húmedo	<ol style="list-style-type: none"> 1. Drene el tanque con más frecuencia. Al menos diariamente. 2. Agregue un filtro.

GUÍA DE DIAGNÓSTICO DE AVERÍAS

PROBLEMA	POSIBLE(S) CAUSA(S)	ACCIÓN A TOMAR
El motor zumba y funciona lentamente o no funciona en lo absoluto	1. El voltaje es bajo	1. Revise el ingreso de voltaje. Debe ser de 120 voltios aproximadamente. El voltaje bajo puede deberse a que los conductores (desde la fuente eléctrica hasta el compresor) son de diámetro muy pequeño y/o muy largos. Haga que los verifique un electricista calificado y realice las reparaciones si es necesario.
	2. Uso del cable de extensión.	2. No utilice extensiones eléctricas. Utilice una manguera de aire comprimido de mayor diámetro.
	3. Muchos dispositivos en el mismo circuito	3. Limite el circuito sólo para el uso del compresor.
	4. Suelte las conexiones eléctricas	4. Revise todas las conexiones eléctricas.
	5. El interruptor de presión está defectuoso – los contactos no cerrarán	5. Reemplace el interruptor de presión.
	6. La válvula de control está defectuosa	6. Reemplace la válvula de control. ⚠ PELIGRO <i>No desarme la válvula de verificación con presión de aire en el tanque.</i>
	7. La válvula de descarga del interruptor de presión está defectuosa	7. Reemplace la válvula de descarga.
	8. El(los) capacitor(es) del motor está defectuoso	8. Reemplace el(los) capacitor(es).
	9. El motor está defectuoso	9. Reemplace el motor.
El mecanismo de reinicio de corta repetidas veces o el interruptor de circuito se dispara repetidas veces	1. Falta de ventilación adecuada/la temperatura ambiente es demasiado alta	1. Mueva el compresor a un área bien ventilada.
	2. Muchos dispositivos en el mismo circuito	2. Limite el circuito sólo para el uso de la compresora de aire.
	3. Entrada de aire restringida	3. Limpie o reemplace el filtro.
	4. Suelte la conexión eléctrica	4. Revise todas las conexiones eléctricas.
	5. El interruptor de presión de apagado está ajustado en un nivel muy elevado	5. Reemplace el interruptor de presión.
	6. El voltaje es bajo.	6. Revise el ingreso de voltaje. Debe ser de 120 voltios aproximadamente. El voltaje bajo puede deberse a que los conductores (desde la fuente eléctrica hasta el compresor) son de diámetro muy pequeño y/o muy largos. Haga que los verifique un electricista calificado y realice las reparaciones si es necesario.
El tanque no mantiene la presión cuando el compresor está apagado y la válvula de apagado está cerrada	7. La válvula de control está defectuosa	7. Reemplace la válvula de control. ⚠ PELIGRO <i>No desarme la válvula de verificación con presión de aire en el tanque.</i>
	8. La válvula de descarga del interruptor de presión está defectuosa	8. Reemplace la válvula de descarga.
	9. El(los) capacitor(es) del motor está defectuoso	9. Reemplace el(los) capacitor(es).
	10. El motor está defectuoso	10. Reemplace el motor.
	1. Fugas de aire (conectores, tuberías del compresor, o plomería exterior de sistema)	1. Compruebe todas las conexiones con una solución de agua jabonosa. Apriete; o quite y aplique sellador para roscas, luego vuelva a ensamblar.
	2. Válvula de control desgastada	2. Reemplace la válvula de control. ⚠ PELIGRO <i>No desarme la válvula de verificación con presión de aire en el tanque.</i>
El interruptor de presión tira continuamente aire por la válvula de descarga	3. Revise el tanque para ver si hay grietas o perforaciones	3. Reemplace el tanque. Nunca repare un tanque dañado.
	Malfuncionamiento de la válvula	Reemplace la válvula de control si la válvula de descarga del interruptor de presión se purga constantemente cuando la unidad se cierra. ⚠ PELIGRO <i>No desarme la válvula de verificación con presión de aire en el tanque.</i>
El interruptor de presión no libera el aire cuando la unidad de apaga	Malfuncionamiento de la válvula de descarga en el interruptor de presión	1. Reemplace el interruptor de presión si éste no libera la presión por un breve periodo de tiempo cuando se apaga la unidad. ⚠ PELIGRO <i>No desarme el interruptor de presión si hay presión en el tanque.</i>
Vibración excesiva	1. Sujetadores sueltos en la bomba o el motor	1. Apriete los sujetadores.
	2. La correa necesita ser reemplazada	2. Reemplace la correa con otra del tamaño adecuado.
	3. Alineación de la correa	3. Alinee el volante y la polea.

INSTRUCCIONES DE MANTENIMIENTO E INSPECCIÓN



⚠ ADVERTENCIA *Desconecte el cordón eléctrico, amárrelo y aléjelo del tomacorrientes, después libere toda la presión del tanque antes de tratar de instalar el compresor, darle servicio, moverlo de sitio o darle cualquier tipo de mantenimiento.*

Todas las reparaciones deben ser hechas por un representante de servicio autorizado.

Desconecte el enchufe del cable de alimentación del receptáculo de la fuente de alimentación. Elimine los desechos en el motor, el volante, el tanque, las líneas de aire y las aletas de enfriamiento de la bomba.

Para mantener el funcionamiento eficiente del sistema del compresor, chequee el filtro de aire y mida el nivel del aceite antes de cada uso. La válvula de seguridad ASME también se debe chequear a diario (Vea la Figura 13). Hále el anillo de la válvula de seguridad y déjelo que regrese de nuevo en su posición original. Esta válvula automáticamente libera el aire del tanque, si la presión excede el nivel máximo fijado de fábrica. Si hay una fuga de aire después que ha soltado el anillo, o si la válvula está atascada y no la puede activar con el anillo, deberá reemplazar la válvula de seguridad ASME.

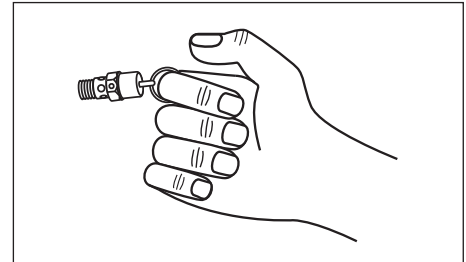


Figura 13 - Válvula de seguridad ASME

⚠ ADVERTENCIA *No modifique la válvula de retención ASME.*



Tanque

⚠ ADVERTENCIA *¡Nunca trate de reparar o modificar el tanque! Si lo suelda, taladra o modifica de cualquier otra manera, el tanque se debilitará y se podría dañar al romperse o explotar. Siempre reemplace los tanques desgastados, rotos o dañados.*

AVISO *Drene el líquido del tanque diariamente.*

Desagüe el tanque: Desconecte, etiquete y bloquee la fuente de alimentación; libere la presión. Drene la humedad del tanque abriendo la válvula de drenaje debajo del tanque una vez que la presión del tanque sea inferior a 2,8 bar (Ver la figura 11 en la página Sp12).

El tanque se debe inspeccionar cuidadosamente por lo menos una vez al año. Cerciérese de que no haya ranuras en las soldaduras. De haberlas, libere la presión del tanque inmediatamente y reemplácelo.

Lubricación del Compresor

Vea la sección de Funcionamiento Añádale aceite al cabezal cuando sea necesario. Debe cambiar el aceite y el filtro cada 3 meses o después de 200 horas de funcionamiento; lo que ocurra primero.

Si el compresor se utiliza bajo condiciones húmedas por períodos cortos, la humedad se condensará en la caja del cigüeñal y ocasionará que el aceite luzca cremoso. El aceite contaminado por el agua no le proveerá la lubricación adecuada y lo debe cambiar inmediatamente. Si usa aceite contaminado, los cojinetes, pistones, cilindros y anillos se dañarán y estos daños no están cubiertos por la garantía. Para evitar la condensación del agua en el aceite, haga funcionar periódicamente el compresor con una presión de tanque cercana a 8.3 bar para compresores de 2 etapas, abriendo la válvula de purga o una válvula de aire conectada al tanque o la manguera. Deje que el cabezal funcione por una hora en estas condiciones por lo menos una vez a la semana, o con más frecuencia, en caso de que el problema ocurra.

IMPORTANTE: Cámbiele el aceite después de 50 horas de operación.

Filtro de aire

Nunca utilice el cabezal del compresor sin instalarle el filtro de la entrada de aire o con un filtro obstruido. El elemento del filtro de aire debe verificarse mensualmente (ver Figura 14). Si utiliza el compresor con el filtro sucio, podría aumentar el consumo de aceite y la contaminación con aceite del aire expulsado. Si el filtro de aire está sucio, debe reemplazarse.

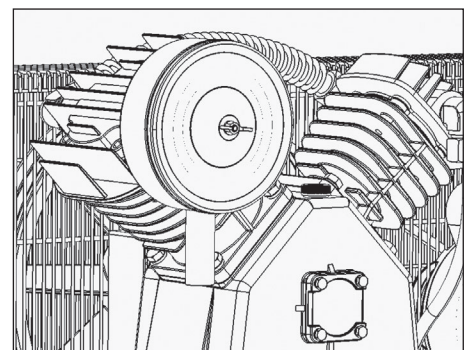


Figura 14

Correa



Apague el compresor, cercirese de que el interruptor no se pueda activar y despus libere la presin del tanque, para evitar que la unidad se mueva sin previo aviso.

Cheque la tensin de las bandas cada 3 meses. Ajuste la tensin de las bandas para permitir una defleccin de 9,5 mm a 12,7 mm (3/8 pulg - 1/2 pulg) al ejercer una presin normal con el dedo. Igualmente, debe alinear las bandas usando como referencia un objeto recto que toque el volante y dos puntos del borde a ambos lados del volante. Las bandas deben estar paralelas a esta lnea recta de referencia (vea la Figura 15). Las distancias A, B y C deben ser iguales para asegurar que las bandas estn alineadas adecuadamente. Las ranuras en la base le permiten mover el motor, en ambas direcciones, para ajustar la tensin de las bandas.

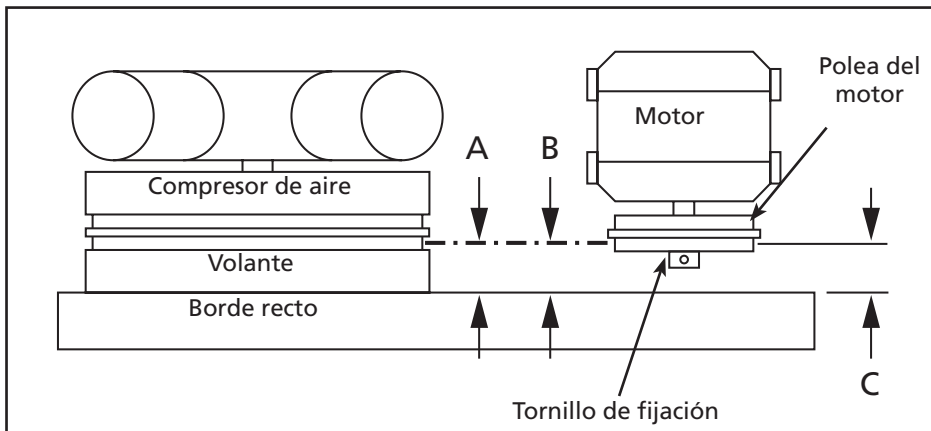


Figura 15 - Vista superior

Retiro del protector de banda



Al retirar el protector de banda delantero para inspeccionar o cambiar las bandas, revise los clips de sujecin y reemplcelos si estn daados o si el clip puede quitarse sin herramientas.

Retiro de los clips de sujecin

1. Usando una llave inglesa o pinzas, gire el clip 90.
2. Jale el clip hacia afuera, separndolo del protector de banda.
3. Realice el procedimiento a la inversa para reinstalar el clip despus de revisarlo.

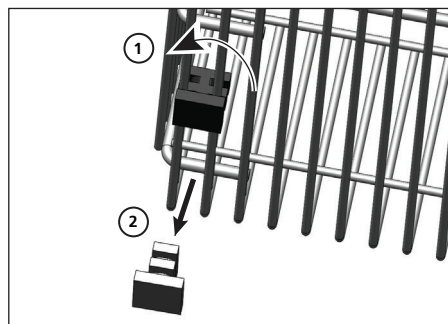


Figura 16

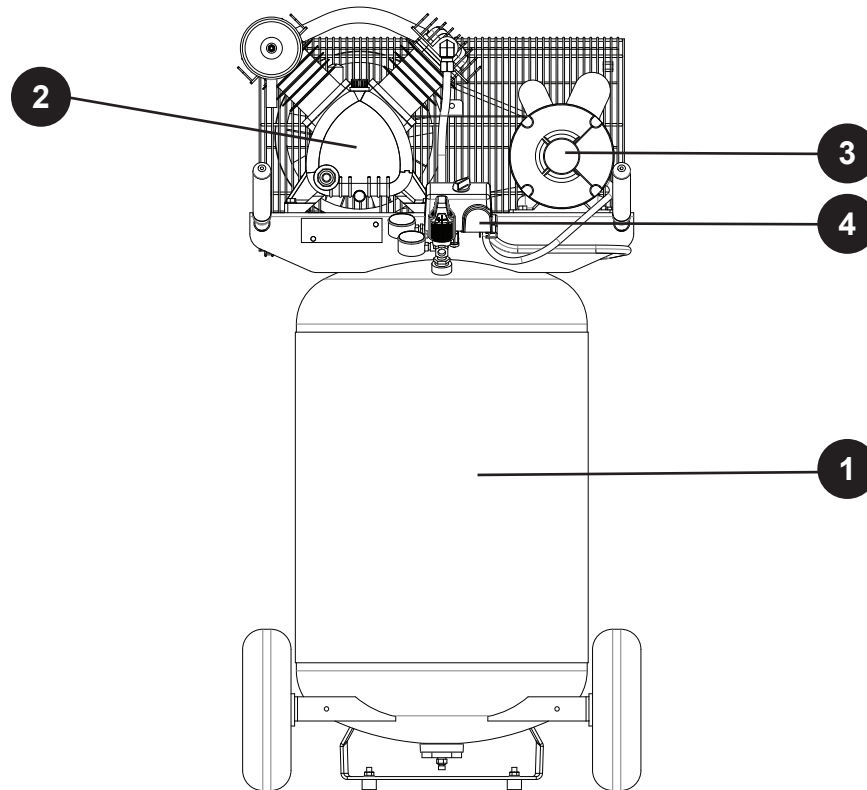
Almacenamiento

Si va a almacenar el compresor por un perodo corto, cercirese de que est en su posicin normal y en un rea fra y bien protegida.

PROGRAMA DE MANTENIMIENTO				
Funcionamiento	Diario	Semanal	Una vez al mes	3 meses
Revise el nivel de aceite	●			
Desage el tanque	●			
Verifique el filtro de aire		●		
Verifique la vlvula de seguridad		●		
Limpie la unidad			●	
Verifique la sujecin de la correa			●	
Cambie el aceite*				●

* Cambie el aceite despus de las primeras cincuenta (50) horas de funcionamiento, luego realice cambios de aceite cada tres (3) meses o doscientas (200) horas de tiempo de funcionamiento, lo que ocurra primero.

ILUSTRACIÓN DE LOS REPUESTOS PARA CE1000 Y XC302100



**Para repuestos, visite www.campbellhausfeld.com
24 horas al día, 365 días al año**

Por favor proporcione la siguiente información:

- Número de modelo
- Número de serie (si lo tiene)
- Descripción de la parte y número que le corresponde en la lista de partes

LISTA DE REPUESTOS PARA CE1000 Y XC302100

No. de Ref.	Descripción	Número de Parte:	Cant.
1	TANQUE DE 113,56 LITROS	AR068300CG	1
2	BOMBA ALTERNATIVA DE 2 ETAPAS DE 2 HP	XC002200IP	1
3	MOTOR ELÉCTRICO DE 2 HP	MC019800IP	1
4	INTERRUPTOR DE PRESIÓN	CW214300AV	1

PIEZAS DE RECAMBIO DE LA UNIDAD

Descripción	Número de Parte:	Cant.
VÁLVULA DE DESAGÜE	SR060513SV	1
POLEA DEL MOTOR	PU019200AV	1
CORREA EN V	BT021501AV	1
KIT DE RUEDAS	WA900000SV	1
KIT DE VÁLVULA DE CONTROL/TUBO DE ESCAPE	XC000800SV	1
KIT DE INTERRUPTOR DE PRESIÓN	MY000900SV	1
KIT DE MANIJA	HL041900SV	1
KIT DE PROTECCIÓN DE LA CORREA	BG900000SV	1

PIEZAS DE RECAMBIO DE LA BOMBA

Description	Part Number:	Qty.
KIT DE REEMPLAZO DE LA VÁLVULA	XC000200AV	1
KIT DE REEMPLAZO DEL ANILLO	XC000300AV	1
KIT DE EMPAQUETADURAS	XC000500AV	1
VOLANTE	XC000600AV	1
ACCESORIOS DE LA BOMBA	XC000700AV	1
ELEMENTO DE FILTRO DE AIRE	VH901800AV	1

PARA COMENZAR

SEGURIDAD /
ESPECIFICACIONES

MONTAJE / INSTALACION

OPERACION

IDENTIFICACION
DE PROBLEMAS

MANTENIMIENTO
/ REPARACION

Recordatorio: ¡Guarde su comprobante de compra con fecha para fines de la garantía! Adjúntela a este manual o archívela en lugar seguro.

GARANTÍA LIMITADA

1. DURACIÓN: Por el comprador desde la fecha de compra, de la siguiente manera: Tres años.
2. QUIÉN EMITE ESTA GARANTÍA: Campbell Hausfeld a Marmon/Berkshire Hathaway Company, 350 Embry Drive, Leitchfield, KY, 42754. Visite www.campbellhausfeld.com.
3. QUIÉN RECIBE ESTA GARANTÍA (COMPRADOR): El comprador original (para otro fin que no sea la reventa) del compresor.
4. QUÉ PRODUCTOS CUBRE ESTA GARANTÍA: Esta compresora de aire.
5. QUÉ CUBRE ESTA GARANTÍA: Las piezas y mano de obra para solucionar los defectos importantes que presente de material y de fabricación durante el primer año de propiedad con las excepciones que se indican a continuación. Las piezas sólo para solucionar los defectos importantes que presente de material y de fabricación durante el tiempo restante de cobertura con las excepciones que se indican a continuación.
6. QUÉ NO CUBRE ESTA GARANTÍA:
 - A. Las garantías implícitas, incluidas las de comerciabilidad e IDONEIDAD PARA UN FIN EN PARTICULAR, SE LIMITAN A PARTIR DE LA FECHA DE LA COMPRA ORIGINAL DE ACUERDO CON LO ESPECIFICADO EN EL PÁRRAFO DE DURACIÓN. Algunos estados no permiten limitaciones sobre la duración de una garantía implícita, de modo que las limitaciones antes descritas puede que no se apliquen en su caso
 - B. CUALQUIER PÉRDIDA, DAÑO O GASTO ACCIDENTAL, INDIRECTO O RESULTANTE, QUE SE ORIGINE POR DEFECTO, FALLA O FUNCIONAMIENTO INCORRECTO DEL PRODUCTO CAMPBELL HAUSFELD. Algunos estados no permiten la exclusión o limitaciones de los daños accidentales o resultantes, de modo que la exclusión o limitación anterior puede que no se aplique en su caso.
 - C. Cualquier falla que se origine de un accidente, abuso del comprador, negligencia o falla para operar los productos de acuerdo con las instrucciones provistas en el manual(es) del propietario suministrado con el compresor.
 - D. Servicio de preentrega, por ej. ensamblado, aceite o lubricantes, y ajustes.
 - E. Artículos o servicio que se necesitan normalmente para mantener el producto, por ej. lubricantes, filtros y empaquetaduras, etc.
 - F. Artículos adicionales que no están cubiertos por esta garantía:
 1. Artículos excluidos correspondientes a todos los compresores
 - a. Cualquier componente dañado durante el envío o cualquier daño ocasionado por haber instalado u operado la unidad bajo condiciones contrarias a lo indicado en las instrucciones para instalar u operar la unidad o daños ocasionados por el contacto con herramientas o los alrededores.
 - b. Daños en la bomba o las válvulas ocasionados por la lluvia, humedad excesiva, agentes corrosivos u otros contaminantes.
 - c. Defectos cosméticos que no interfieren con el funcionamiento del compresor.
 - d. Tanques oxidados, incluyendo, entre otros, el óxido debido al drenaje inadecuado o a agentes corrosivos en el ambiente.
 - e. Los siguientes componentes se consideran artículos de uso normal y no son cubiertos después del primer año de propiedad. Motor eléctrico, válvula de control, interruptor de presión, regulador, indicadores de presión, mangueras, tuberías, tubos, conectores y acoples, tornillos, tuercas, artículos de ferretería, correas, poleas, volante, filtro de aire y carcasa, empaquetaduras, sellos, filtraciones de aceite, filtraciones de aire, consumo o uso de aceite, anillos del pistón.
 - f. Válvulas de drenaje del tanque.
 - g. Daños debidos al cableado incorrecto o conexión a circuitos con voltaje inadecuados para la unidad.
 - h. Otros artículos no mencionados pero que se consideran piezas de uso general.
 - i. Interruptores de presión, controladores de flujo de aire, dispositivos de carga/descarga, dispositivos de control de aceleración y válvulas de seguridad modificados de fábrica.
 - j. Daño por mantenimiento inadecuado del filtro.
 - k. Motores de inducción operados con electricidad producida por un generador.
 2. Artículos excluidos específicos para compresores lubricados:
 - a. Desgaste de la bomba o daño a las válvulas debido al uso de aceites no especificados.
 - b. Desgaste o daño de la bomba causado por cualquier tipo de contaminación del aceite.
 - c. Desgaste o daño de la bomba por no seguir las pautas de mantenimiento del aceite apropiadas, por funcionamiento con un nivel de aceite inferior al adecuado o por funcionamiento sin aceite.
 - G. Mano de obra, servicio de llamada, o cargos por transporte después del primer año de propiedad de los compresores estacionarios. Los compresores estacionarios se identifican por no tener manija o ruedas.
7. RESPONSABILIDADES DEL GARANTE QUE CUBRE ESTA GARANTÍA: El fabricante, a su criterio, reparará o reemplazará este producto o cualquier componente de éste que presente defectos durante el período de vigencia de la garantía.
8. RESPONSABILIDADES DEL COMPRADOR QUE CUBRE ESTA GARANTÍA:
 - A. Proporcionar el comprobante de la fecha de compra y registros de mantenimiento.
 - B. Visite www.campbellhausfeld.com para ver sus opciones de servicio de garantía. Los costos de flete deben ser asumidos por el comprador.
 - C. Prestar el cuidado adecuado al operar y hacerle mantenimiento a los productos como se indica en el (los) manual(es) del propietario.
 - D. Reparaciones que requieran tiempo adicional al horario normal de trabajo, tarifas de fin de semana o cualquier reparación que exceda las tarifas estándar de trabajos de reparación de la garantía del fabricante.
 - E. El tiempo requerido por el personal de servicio para obtener el acceso al local para revisiones de seguridad, capacitación de seguridad o similar.
 - F. La ubicación de la unidad debe tener espacio adecuado y ser de fácil acceso para que el personal de servicio realice las reparaciones.
9. CUÁNDO EL GARANTE REALIZARÁ REPARACIONES O REEMPLAZOS QUE CUBRE ESTA GARANTÍA: La reparación o reemplazo dependerá del flujo normal de trabajo del centro de servicio y de la disponibilidad de las piezas de repuesto. Esta garantía limitada se aplica en los Estados Unidos Canadá y México, y le da derechos legales específicos. Usted también puede tener otros derechos que varían según el estado o país.

