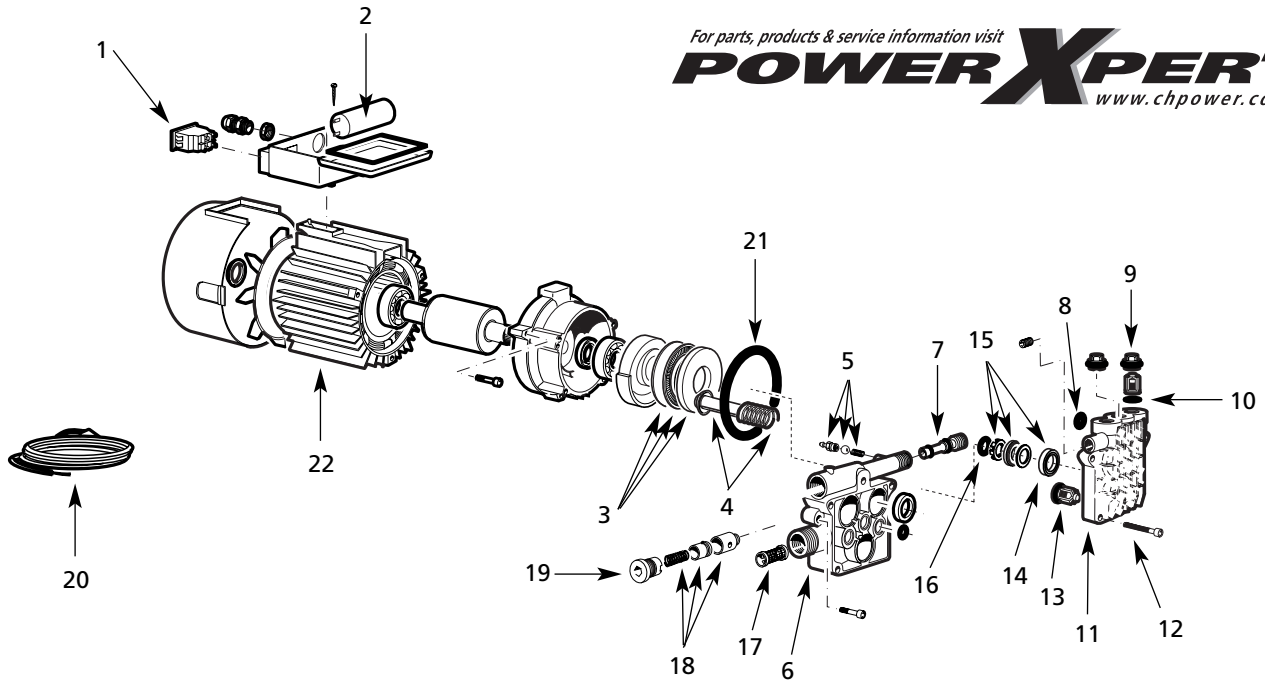


Replacement Parts List

Model PW167600AV & PW187600AV



For parts, products & service information visit
POWER XPERT
www.chpower.com

For Replacement Parts, Call 1-800-330-0712

Please provide following information:

- Model number
- Serial number (if any)
- Part description and number as shown in parts list

Address parts correspondence to:

Campbell Group/Parts Department
100 Production Drive
Harrison, OH 45030

Ref. No.	Description	Part No.	Qty.	Ref. No.	Description	Part No.	Qty.
1	On/off switch	PM041900SV	1	13	Inlet valve kit (includes		
2	Capacitor, 56 MF 250 V	PM060200SV	1		3 valves & 3 o-rings)	PM064740SV	1
3	Needle bearing kit	PM041840SV	1	14	Seal, water (includes 3 seals)	PM064730SV	1
4	Piston kit (includes 3 pistons and springs)	PM058200SV	1	15	Piston guide kit	PM064720SV	1
5	Detergent injector kit (includes barb, spring, ball, and o-ring)	PM064305SV	1	16	Seal, oil (includes 3 seals)	PM064710SV	1
6	Piston body	PM040600SV	1	17	Filter, suction	PM014800SV	1
7	Internal chemical injector	PM062300SV	1	18	Unloader assembly	PM058800SV	1
8	O-ring, high pressure, head	PM041870SV	1	19	Unloader cap kit, (includes cap and o-ring)	PM035150SV	1
9	Kit, valve cap (includes 3 caps)	PM064750SV	1	20	Power cord, 14 AWG, GFCI	PM020900SV	1
10	Valve, outlet (includes 3 valves/o-rings)	PM064304SV	1	21	O-ring, 85X2.5	PM008600SV	1
11	Head, manifold	PM025200SV	1	* 22	Motor assembly induction		
12	Bolt, head (includes 1 bolt)	PM025100SV	1		PW167600AV	PM222800SJ	1
					PW187600AV	PM222900SJ	1

* Unit assembly maybe shipped if replacement motor is not available.