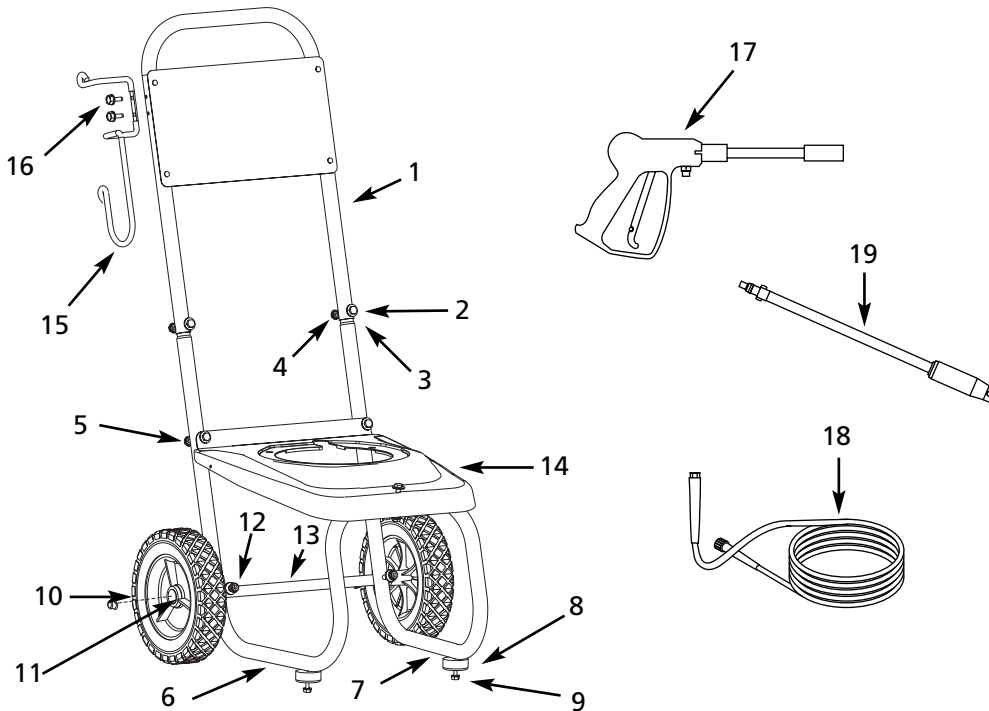


Replacement Parts Sheet

**For Replacement Parts,
Call 1-800-330-0712**

For parts, products & service information visit
POWER XPERT
www.campbellhausfeld.com



Please provide following information:

- Model number
- Serial number (if any)
- Part description and number as shown in parts list

Address parts correspondence to:

The Campbell Group
Attn: Parts Department
100 Production Drive
Harrison, OH 45030 U.S.A.



Ref. No.	Description	PW245515LE
1	Handle assembly	PM060010AJ
2	1/4"-20 X 11/2" Bolt	⌘
3	Flat washer	⌘
4	1/4"-20 Nylon lock nut	⌘
5	1/4"-20 Serrated flange nut	⌘
6	Left leg	PM015404AV
7	Right leg	PM015405AV
8	Rubber bumper	AL062300AV
9	1/4"-20 X 3/4" Self-tapping screw	⌘
10	Wheel	WA002401AV
11	Pushnut	MJ104700AV
12	1/4"-20 X 2" Bolt	⌘
13	Axle	GN005500AV
14	Base plate	GN004530AV
15	Gun/hose rack	PM033400AV
16	#10 X 3/4" Self-tapping screw	⌘
17	Gun	PM005133AV
18	Hose	PM005001AV
19	Lance	PM035140AV
20	Δ Pump assembly	PM041802AV
21	Δ Engine	PM041900AV

PW154915LE	PW165015LE	PW18015LE	PW205015LE	Qty.
PM050010AJ	PM050010AJ	PM050020AJ	PM050020AJ	1
⌘	⌘	⌘	⌘	5
⌘	⌘	⌘	⌘	9
⌘	⌘	⌘	⌘	2
⌘	⌘	⌘	⌘	5
PM015401AV	PM015401AV	PM015404AV	PM015404AV	1
PM015402AV	PM015402AV	PM015405AV	PM015405AV	1
AL062300AV	AL062300AV	AL062300AV	AL062300AV	2
⌘	⌘	⌘	⌘	2
WA002401AV	WA002401AV	WA002401AV	WA002401AV	2
MJ104700AV	MJ104700AV	MJ104700AV	MJ104700AV	2
⌘	⌘	⌘	⌘	2
GN005500AV	GN005500AV	GN005500AV	GN005500AV	1
GN004530AV	GN004530AV	GN004530AV	GN004530AV	1
GN004530AV	GN004530AV	GN004530AV	GN004530AV	1
PM033400AV	PM033400AV	PM033400AV	PM033400AV	1
⌘	⌘	⌘	⌘	2
PM037201AV	PM037201AV	PM037201AV	PM037201AV	1
PM012902AV	PM012902AV	PM012902AV	PM012902AV	1
PM037501AV	PM037501AV	PM037501AV	PM037401AV	1
PM026000AJ	PM026000AJ	PM026000AJ	PM026100AJ	1
PM041901AV	PM004280AV	PM025000AJ	PM041905AV	1

⌘ Item available at local hardware store.

Δ Not shown (See replacement parts list IN4552)

Pour Pièces De Rechange, appeler 1-800-330-0712

S'il vous plaît fournir l'information suivante:

- Numéro du modèle
- Numéro de série (si présent)
- Description de la pièce et son numéro sur la liste de pièces



Ref. No.	Description	PW245515LE
1	Montage de manette	PM060010AJ
2	Boulon, 1/4 po-20 x 1/2 po	⌘
3	Rondelle plate	⌘
4	Écrou de serrage en nylon 1/4 po-20	⌘
5	Écrou à collerette dentelé 1/4 po-20	⌘
6	Patte, gauche	PM015404AV
7	Patte, droite	PM015405AV
8	Parechocs en caoutchouc	AL062300AV
9	Vis a tôle 1/4 po-20 x 3/4 po	⌘
10	Roue	WA002401AV
11	Écrou poussoir	MJ104700AV
12	Boulon, 1/4 po-20 x 2 po	⌘
13	Essieu	GN005500AV
14	Plaque en base	GN004530AV
15	Râtelier de pistolet/tuyau	PM033400AV
16	Vis a tôle, #10 x 3/4 po	⌘
17	Pistolet	PM005133AV
18	Tuyau	PM005001AV
19	Lance	PM035140AV
20	△ Montage de pompe	PM041802AV
21	△ Moteur	PM041900AV



PW154915LE	PW165015LE	PW18015LE	PW205015LE	Qty.
PM050010AJ	PM050010AJ	PM050020AJ	PM050020AJ	1
⌘	⌘	⌘	⌘	5
⌘	⌘	⌘	⌘	9
⌘	⌘	⌘	⌘	2
⌘	⌘	⌘	⌘	5
PM015401AV	PM015401AV	PM015404AV	PM015404AV	1
PM015402AV	PM015402AV	PM015405AV	PM015405AV	1
AL062300AV	AL062300AV	AL062300AV	AL062300AV	2
⌘	⌘	⌘	⌘	2
WA002401AV	WA002401AV	WA002401AV	WA002401AV	2
MJ104700AV	MJ104700AV	MJ104700AV	MJ104700AV	2
⌘	⌘	⌘	⌘	2
GN005500AV	GN005500AV	GN005500AV	GN005500AV	1
GN004530AV	GN004530AV	GN004530AV	GN004530AV	1
PM033400AV	PM033400AV	PM033400AV	PM033400AV	1
⌘	⌘	⌘	⌘	2
PM037201AV	PM037201AV	PM037201AV	PM037201AV	1
PM012902AV	PM012902AV	PM012902AV	PM012902AV	1
PM037501AV	PM037501AV	PM037501AV	PM037401AV	1
PM026000AJ	PM026000AJ	PM026000AJ	PM026100AJ	1
PM041901AV	PM004280AV	PM025000AJ	PM041905AV	1

⌘ Article disponible chez votre quincaillerie locale.

△ Pas Indiqué (Voir liste de pièces de rechange IN4552)

Para Ordenar Repuestos, Sírvase llamar al Concesionario más Cercano a su Domicilio

Sírvase darnos la siguiente información:

- Número del modelo
- Número de série (de haberlo)
- Descripción y número del repuesto según la lista de repuestos



Ref. No.	Description	PW245515LE
1	Ensamblaje de mango	PM060010AJ
2	Perno 6,4 mm (1/4")-20 x 3,81 cm (1 1/2")	⌘
3	Arandela plana	⌘
4	Tuerca de reborde adentado de 6,4 mm (1/4")-20	⌘
5	Tuerca de reborde adentado de 6,4 mm (1/4")-20	⌘
6	Pata, izquierda	PM015404AV
7	Pata, derecha	PM015405AV
8	Parachoques de goma	AL062300AV
9	Tornillo autoroscante 6,4 mm (1/4")-20 x 19,1 mm (3/4")	⌘
10	Rueda	WA002401AV
11	Tuerca de presión	MJ104700AV
12	Perno, 6,4 mm (1/4")-20 x 5,08 cm (2")	⌘
13	Eje	GN005500AV
14	Placa de base	GN004530AV
15	Porta-pistola/manguera	PM033400AV
16	Tornillo autoroscante, #10 x 19,1 mm (3/4")	⌘
17	Pistola	PM005133AV
18	Mangueras	PM005001AV
19	Lanza	PM035140AV
20	△ Ensamblaje de bomba	PM041802AV
21	△ Motor	PM041900AV



PW154915LE	PW165015LE	PW18015LE	PW205015LE	Qty.
PM050010AJ	PM050010AJ	PM050020AJ	PM050020AJ	1
⌘	⌘	⌘	⌘	5
⌘	⌘	⌘	⌘	9
⌘	⌘	⌘	⌘	2
⌘	⌘	⌘	⌘	5
PM015401AV	PM015401AV	PM015404AV	PM015404AV	1
PM015402AV	PM015402AV	PM015405AV	PM015405AV	1
AL062300AV	AL062300AV	AL062300AV	AL062300AV	2
⌘	⌘	⌘	⌘	2
WA002401AV	WA002401AV	WA002401AV	WA002401AV	2
MJ104700AV	MJ104700AV	MJ104700AV	MJ104700AV	2
⌘	⌘	⌘	⌘	2
GN005500AV	GN005500AV	GN005500AV	GN005500AV	1
GN004530AV	GN004530AV	GN004530AV	GN004530AV	1
PM033400AV	PM033400AV	PM033400AV	PM033400AV	1
⌘	⌘	⌘	⌘	2
PM037201AV	PM037201AV	PM037201AV	PM037201AV	1
PM012902AV	PM012902AV	PM012902AV	PM012902AV	1
PM037501AV	PM037501AV	PM037501AV	PM037401AV	1
PM026000AJ	PM026000AJ	PM026000AJ	PM026100AJ	1
PM041901AV	PM004280AV	PM025000AJ	PM041905AV	1

⌘ Artículo disponible en ferreterías locales.

△ No se muestra (Vea lista de repuestos IN4552)