

# Tool Storage Tray Assembly Instructions

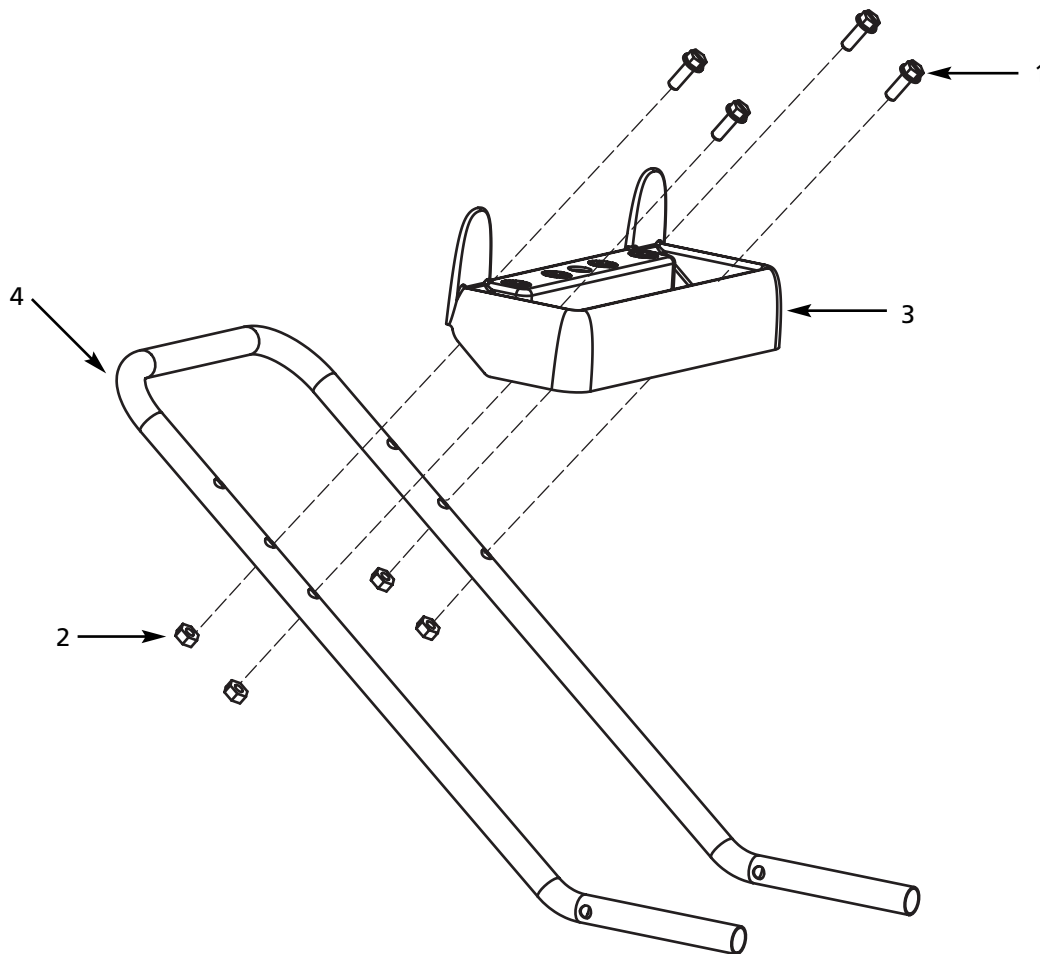
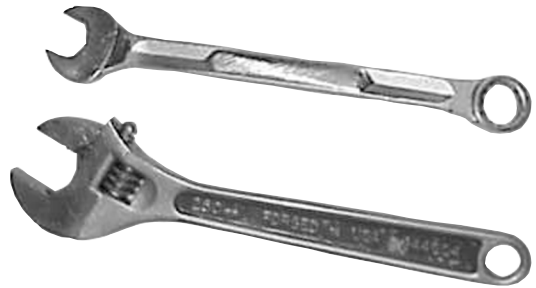
## Instruction Sheet

### Parts List

Ref. No.	Description	Part No.	Qty.
1	1/4" x 1 1/4" Screw	*	4
2	1/4" Nut	*	4
3	Tool storage tray	WL023500AV	1
4	Handle	HL006100AV	1

\* Standard Hardware Item

### Tools Needed



### Assembly Instructions -

1. Assemble tool storage tray with handle as shown in the diagram.
2. Tighten bolts with a wrench and assembly handle to compressor as shown in the manual.