

®

SPEEDAIRE



Two Stage Air Compressors

Models 35WC66, 35WC67, 35WC68



SPEEDART

**PLEASE READ AND SAVE
THESE INSTRUCTIONS.
READ CAREFULLY
BEFORE ATTEMPTING
TO ASSEMBLE, INSTALL,
OPERATE OR MAINTAIN THE
PRODUCT DESCRIBED.**

**PROTECT YOURSELF AND
OTHERS BY OBSERVING ALL
SAFETY INFORMATION. FAILURE
TO COMPLY WITH INSTRUCTIONS
COULD RESULT IN PERSONAL
INJURY AND/OR PROPERTY
DAMAGE! RETAIN INSTRUCTIONS
FOR FUTURE REFERENCE.**

**PLEASE REFER TO BACK COVER
FOR INFORMATION REGARDING
DAYTON'S WARRANTY AND OTHER
IMPORTANT INFORMATION.**

Model #: _____

Serial #: _____

Purch. Date: _____

Form 5S7604 / Printed in U.S.A.

Version 0 12/2014

© 2014 Dayton Electric Manufacturing Co.

All Rights Reserved

BEFORE YOU BEGIN

Introduction

The Speedaire two-stage air compressors are oil lubricated reciprocating compressors.

Shop Air Series Models Include:

- Compressor pump
- ASME air receiver with safety valve
- Electric motor
- Starter
- Pressure switch

Tire and Lube Series Models Include:

- Compressor pump
- ASME air receiver with safety valve
- Electric motor
- Starter
- Pressure switch
- Air cooled aftercooler
- Automatic tank drain
- Vibration isolation pads
- Shut-off valve

Quick Reference
Recommended Oil (2 Options)
Single viscosity SAE 30 ISO100 nondetergent compressor oil. Grainger part number 1WG49.
10W30 synthetic oil such as Mobil 1®.
Oil Capacity
Approximately 4 quarts

UNPACKING

⚠ CAUTION

Do not lift or move unit without appropriately rated equipment. Be sure the unit is securely attached to lifting device used. Do not lift unit by holding onto tubes or coolers. Do not use unit to lift other attached equipment.

After unpacking the unit, inspect carefully for any damage that may have occurred during transit. Check for loose, missing or damaged parts. Check to be sure all supplied accessories are enclosed with the unit. In case of questions, damaged or missing parts, please call 1-888-606-5587 for customer assistance.

⚠ WARNING

Do not operate unit if damaged during shipping, handling or use. Damage may result in bursting and cause injury or property damage.

Required Items - Not Included

- Oil

Getting To Know Your Compressor

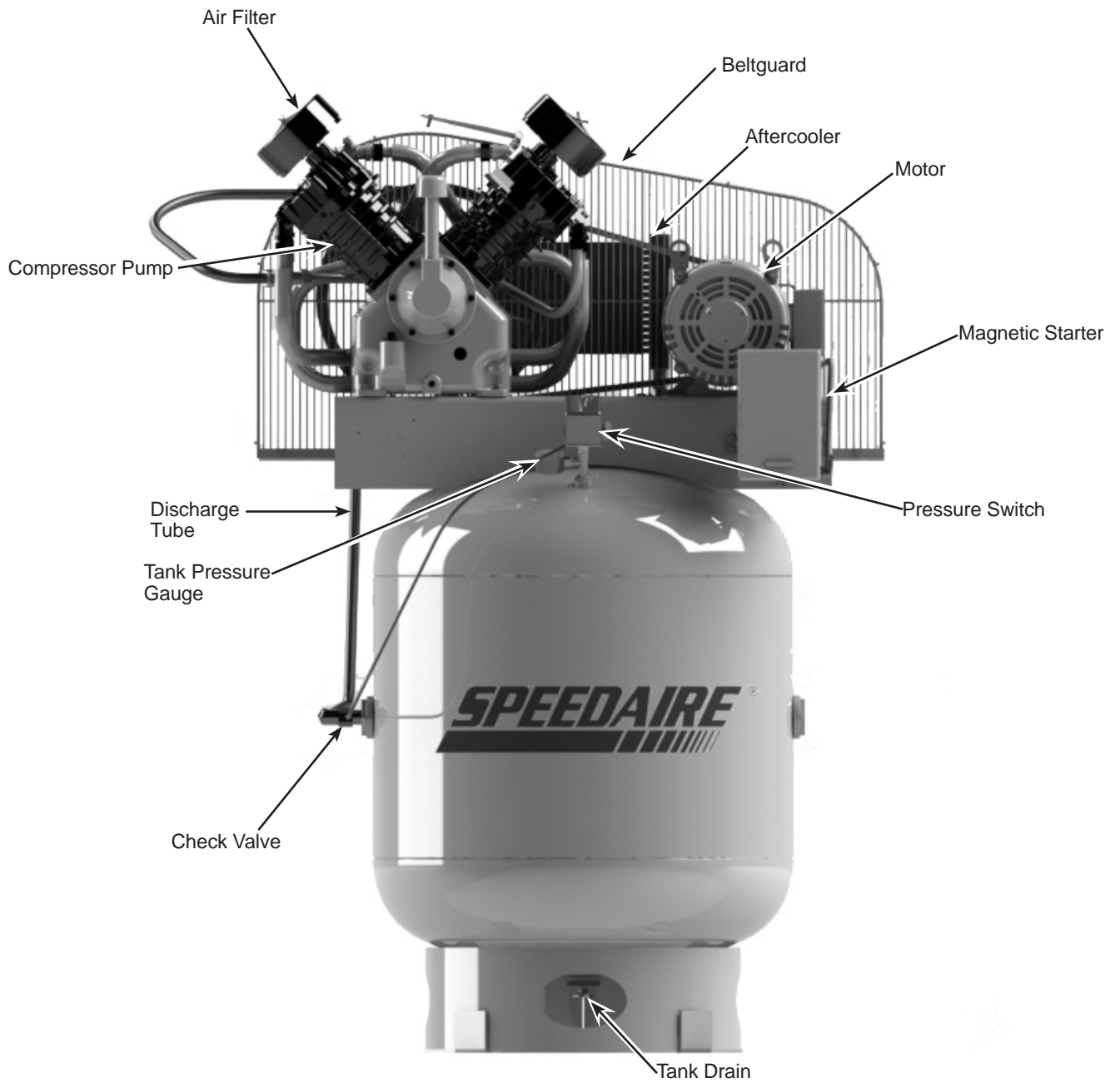


Figure 1 - Two-Stage Compressor

GENERAL SAFETY INSTRUCTIONS

Safety Guidelines

This manual contains information that is very important to know and understand. This information is provided for SAFETY and to PREVENT EQUIPMENT PROBLEMS. To help recognize this information, observe the following symbols.



Danger indicates an imminently hazardous situation which, if not avoided, WILL result in death or serious injury.



Warning indicates a potentially hazardous situation which, if not avoided, COULD result in death or serious injury.



Caution indicates a potentially hazardous situation which, if not avoided, MAY result in minor or moderate injury.



Notice indicates important information, that if not followed, may cause damage to equipment.

IMPORTANT: Information that requires special attention.

Safety Symbols

The following Safety Symbols appear throughout this manual to alert you to important safety hazards and precautions.



Wear Eye and Mask Protection



Read Manual First



Risk of Fire



Risk of Moving Parts



Risk of Hot Parts



Risk of Explosion



Risk of Fumes



Risk of Pressure



Risk of Shock

California Proposition 65



This product or its power cord may contain chemicals known to the State of California to cause cancer and birth defects or other reproductive harm. Wash hands after handling.



You can create dust when you cut, sand, drill or grind materials such as wood, paint, metal, concrete, cement, or other masonry. This dust often contains chemicals known to cause cancer, birth defects, or other reproductive harm. Wear protective gear.

Important Safety Information

Please read and save these instructions. Read carefully before attempting to assemble, install, operate or maintain the product described. Protect yourself and others by observing all safety information. Failure to comply with instructions could result in personal injury and/or property damage! Retain instructions for future reference.

This manual contains important safety, operational and maintenance information. If you have any questions, please call 1-888-606-5587 for customer assistance.

Since the air compressor and other components (material pump, spray guns, filters, lubricators, hoses, etc.) used make up a high pressure pumping system, the following safety precautions must be observed at all times:

Important Safety Information (Continued)**▲ DANGER**

BREATHABLE AIR WARNING

This compressor/pump is not equipped and should not be used “as is” to supply breathing quality air. For any application of air for human consumption, the air compressor/pump will need to be fitted with suitable in-line safety and alarm equipment. This additional equipment is necessary to properly filter and purify the air to meet minimal specifications for Grade D breathing as described in Compressed Gas Association Commodity Specification G 7.1, OSHA 29 CFR 1910. 134, and/or Canadian Standards Associations (CSA).

DISCLAIMER OF WARRANTIES

In the event the compressor is used for the purpose of breathing air application and proper in-line safety and alarm equipment is not simultaneously used, existing warranties shall be voided, and the manufacturer disclaims any liability whatsoever for any loss, personal injury or damage.

General Safety

- Read all manuals included with this product carefully. Be thoroughly familiar with the controls and the proper use of the equipment.
- Follow all local electrical and safety codes as well as the United States National Electrical Codes (NEC) and Occupational Safety and Health Act (OSHA).
- Only persons well acquainted with these rules of safe operation should be allowed to use the compressor.
- Keep visitors away and NEVER allow children in the work area.
- Wear safety glasses and use hearing protection when operating the unit.
- Do not stand on or use the unit as a handhold.
- Before each use, inspect compressed air system and electrical components for signs of damage, deterioration, weakness or leakage. Repair or replace defective items before using.
- Check all fasteners at frequent intervals for proper tightness.



▲ WARNING *Motors, electrical equipment and controls can cause electrical arcs that will ignite a flammable gas or vapor. Never operate or repair in or near a flammable gas or vapor. Never store flammable liquids or gases in the vicinity of the compressor.*



▲ WARNING *Never operate compressor without a beltguard. This unit can start automatically without warning. Personal injury or property damage could occur from contact with moving parts.*

- Do not wear loose clothing or jewelry that will get caught in the moving parts of the unit.



▲ CAUTION *Compressor parts may be hot even if the unit is stopped.*

- Keep fingers away from a running compressor; fast moving and hot parts will cause injury and/or burns.
- If the equipment should start to vibrate abnormally, STOP the engine/motor and check immediately for the cause. Vibration is generally an indication of trouble.
- To reduce fire hazard, keep engine/motor exterior free of oil, solvent, or excessive grease.

▲ WARNING *An ASME code safety relief valve with a setting no higher than the Maximum Allowable Working Pressure (MAWP) of the tank MUST be installed in the air lines or in the tank for this compressor. The ASME safety valve must have sufficient flow and pressure ratings to protect the pressurized components from bursting. The flow rating can be found in the parts manual. The safety valve in the intercooler does not provide system protection.*

▲ WARNING *Maximum operating pressure is 175 psi for two-stage compressors. Do not operate with pressure switch or pilot valves set higher than 175 psi (two-stage).*

- Never attempt to adjust ASME safety valve. Keep safety valve free from paint and other accumulations.

Important Safety Information (Continued)

**⚠ WARNING**

Never attempt to repair or modify a tank! Welding, drilling or any other modification will weaken the tank resulting in damage from rupture or explosion. Always replace worn, cracked or damaged tanks.

NOTICE

Drain liquid from tank daily.

- Tanks rust from moisture build-up, which weakens the tank. Make sure to drain tank regularly and inspect periodically for unsafe conditions such as rust formation and corrosion.
- Fast moving air will stir up dust and debris which may be harmful. Release air slowly when draining moisture or depressurizing the compressor system.

Spraying Precautions

**⚠ WARNING**

Do not spray flammable materials in vicinity of open flame or near ignition sources including the compressor unit.



- Do not smoke when spraying paint, insecticides, or other flammable substances.
- Use a face mask/respirator when spraying and spray in a well ventilated area to prevent health and fire hazards.
- Do not direct paint or other sprayed material at the compressor. Locate compressor as far away from the spraying area as possible to minimize overspray accumulation on the compressor.
- When spraying or cleaning with solvents or toxic chemicals, follow the instructions provided by the chemical manufacturer.

Save These Instructions
Do Not Discard

The **DANGER**, **WARNING**, **CAUTION**, and **NOTICE** notifications and instructions in this manual cannot cover all possible conditions and situations that may occur. It must be understood by the operator that caution is a factor which cannot be built into this product, but must be supplied by the operator.



SPECIFICATIONS

	35WC66	35WC67	35WC68
Fully Package	--	--	Yes
Motor HP	10	10	10
Power	200V	208-230/460V	208-230/460V
Phase	3	3	3
Displacement CFM	43.1	43.1	43.1
Air Delivery CFM	34.1	34.1	34.1
Max PSI	175	175	175
Pump RPM	700	700	700
Tank Capacity	90 gallons	90 gallons	90 gallons
Unit Weight	850 lbs	850 lbs	850 lbs
Amp Draw	28.1	27.2-24.6/12.3	27.2-24.6/12.3
Max Duty Cycle	80/20	80/20	80/20
Tank Outlet	1 inch (F) NPT	1 inch (F) NPT	1 inch (F) NPT

DIMENSIONS

	35WC66	35WC67	35WC68
Length	52 inches	52 inches	52 inches
Width	24 inches	24 inches	24 inches
Height	69 inches	69 inches	69 inches

INSTALLATION INSTRUCTIONS



⚠ WARNING

Disconnect, tag and lock out power source then release all pressure from the system before attempting to install, service, relocate or perform any maintenance.

⚠ CAUTION

Do not lift or move unit without appropriately rated equipment. Be sure the unit is securely attached to lifting device used. Do not lift unit by holding onto tubes or coolers. Do not use unit to lift other attached equipment.

⚠ CAUTION

Never use the wood shipping skids for mounting the compressor.

Picking the Location

Install and operate unit at least 18 inches from any obstructions in a clean, well ventilated area. The surrounding air temperature should not exceed 100° F. This will ensure an unobstructed flow of air to cool compressor and allow adequate space for maintenance.

⚠ CAUTION

Do not locate the compressor air inlet near steam, paint spray, sandblast areas or any other source of contamination.

NOTE: If compressor operates in a hot, moist environment, supply compressor pump with clean, dry outside air. Supply air should be piped in from external sources.

Tank Mounting

The tank should be bolted into a flat, even, concrete floor or on a separate concrete foundation. Vibration isolators should be used between the tank leg and the floor. Model 2LVP7 isolator pads are recommended for horizontal units. Isolator pads are included with fully packaged models.

When using isolator pads, **do not draw bolts tight**. Allow the pads to absorb vibrations. When isolators are used, a flexible hose or coupling should be installed between the tank and service piping.

⚠ WARNING

Failure to properly install the tank can lead to cracks at the welded joints and possible bursting.

Piping

⚠ WARNING

Never use plastic (PVC) pipe for compressed air. Serious injury or death could result.

Any tube, pipe or hose connected to the unit must be able to withstand the temperature generated and retain the pressure. All pressurized components of the air system must have a pressure rating of 200 psi or higher. Incorrect selection and installation of any tube, pipe or hose could result in bursting and injury. Connect piping system to tank using the same size fitting as the discharge port.

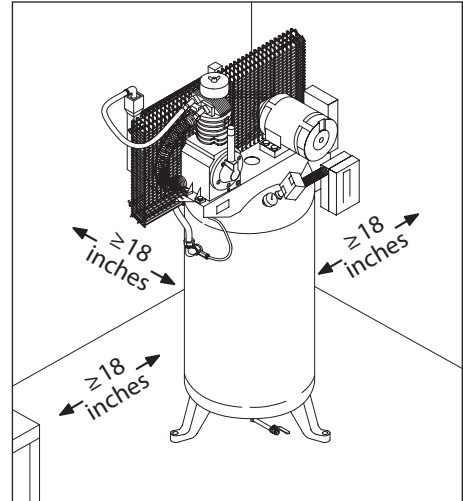


Figure 2 - Location

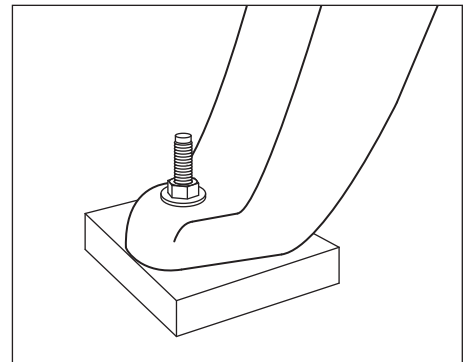


Figure 3 - Isolator Pad

Minimum Pipe Size For Compressed Air Line

CFM	Length Of Piping System			
	25 feet	50 feet	100 feet	250 feet
10	1/2 inch	1/2 inch	3/4 inch	3/4 inch
20	3/4 inch	3/4 inch	3/4 inch	1 inch
40	3/4 inch	1 inch	1 inch	1 inch
60	3/4 inch	1 inch	1 inch	1 inch
100	1 inch	1 inch	1 inch	1-1/4 inch

INSTALLATION INSTRUCTIONS (CONTINUED)

Installing A Shut-Off Valve

A shut-off valve should be installed on the discharge port of the tank to control the air flow out of the tank. The valve should be located between the tank and the piping system.

▲ WARNING *Never install a shut-off valve between the compressor pump and the tank. Personal injury and/or equipment damage may occur. Never use reducers in discharge piping.*



Figure 4 - Shut-off Valve

When creating a permanently installed system to distribute compressed air, find the total length of the system and select pipe size from the chart. Bury underground lines below the frost line and avoid pockets where condensation can gather and freeze.

Apply air pressure to the piping installation and make sure all joints are free from leaks BEFORE underground lines are covered. Before putting the compressor into service, find and repair all leaks in the piping, fittings and connections.

Wiring

▲ WARNING *All wiring and electrical connections must be performed by a qualified electrician familiar with induction motor controls. Installations must be in accordance with local and national codes.*

▲ WARNING *Overheating, short circuiting and fire damage will result from inadequate wiring.*

Wiring must be installed in accordance with National Electrical Code and local codes and standards that have been set up covering electrical apparatus and wiring. These should be consulted and local ordinances observed. Be certain that adequate wire sizes are used, and that:

1. Service is of adequate ampere rating.
2. The supply line has the same electrical characteristics (voltage, cycles and phase) as the motor. Refer to motor name plate for electrical ratings and specifications.
3. The line wire is the proper size and that no other equipment is operated from the same line. The chart gives minimum recommended wire sizes for compressor installations.

Minimum Wire Size (Use 75°C Copper Wire)

Make sure voltage is correct with the motor wiring.

NOTE: If using 208 volts single phase, make sure the motor name plate states it is rated for 208 volts single phase. 230 volt single phase motors do not work on 208 volts unless they have the 208 volt rating.

HP	Amps	Single Phase		
		230V	208/230V	Three Phase 460/575V
SPL	up to 22.0	10 AWG		
5.0		8 AWG	12 AWG	14 AWG
7.5		8 AWG	10 AWG	12 AWG
10.0		N/A	8 AWG	12 AWG
15.0		N/A	6 AWG	10 AWG
25.0		N/A	3 AWG	8 AWG
30.0		N/A	2 AWG	6 AWG

Recommended wire sizes may be larger than the minimum set up by local ordinances. If so, the larger size wire should be used to prevent excessive line voltage drop. The additional wire cost is very small compared with the cost of repairing or replacing a motor electrically "starved" by the use of supply wires which are too small.

INSTALLATION INSTRUCTIONS (CONTINUED)

Grounding



▲ WARNING *Improperly grounded electrical components are shock hazards. Make sure all the components are properly grounded to prevent death or serious injury.*

This product **must** be grounded. Grounding reduces the risk of electrical shock by providing an escape wire for the electric current if short circuit occurs. This product must be installed and operated with a power cord or cable that has a grounding wire.

Breakers and Fuses

The entire electrical system should be checked by a certified electrician. Time delay breakers and fuses are required for this compressor. A tripped breaker or blown fuses may indicate a direct short to ground, high current draw, improper wiring, incorrect fuse or breaker size and/or type. This needs to be evaluated by a certified electrician.

Motor Hookup and Starter Installation

Branch circuit protection must be provided as specified in the United States National Electrical Code, Chapter 2, "Wiring Design and Protection," Article 210, using the applicable article "For Motors and Motor Controllers," (Article 430, Table 430-1 52).

IMPORTANT: Overload protection is required for all motors.

Refer to the following wiring diagrams for electrical installation:

Tire and Lube Series Models - Figure 6

Three phase motors are tri-voltage rated: 208-230/460. They are shipped from the factory pre-wired for 208-230 volt operation. If 460 volt operation is desired, some rewiring is required.

Tire and Lube Series Models

1. Rewire the motor leads for 460 volt per motor data plate.
2. Install the 460 volt conversion kit included with your unit (see chart below). Both the coil and the thermal overload elements in the magnetic starter must be changed (see Figure 5).

Model	460 Conversion Kit Part Number
35WC67	ST122008AJ
35WC68	ST122008AJ



Figure 5 - 460 Volt Conversion Kit - Shop Air Series

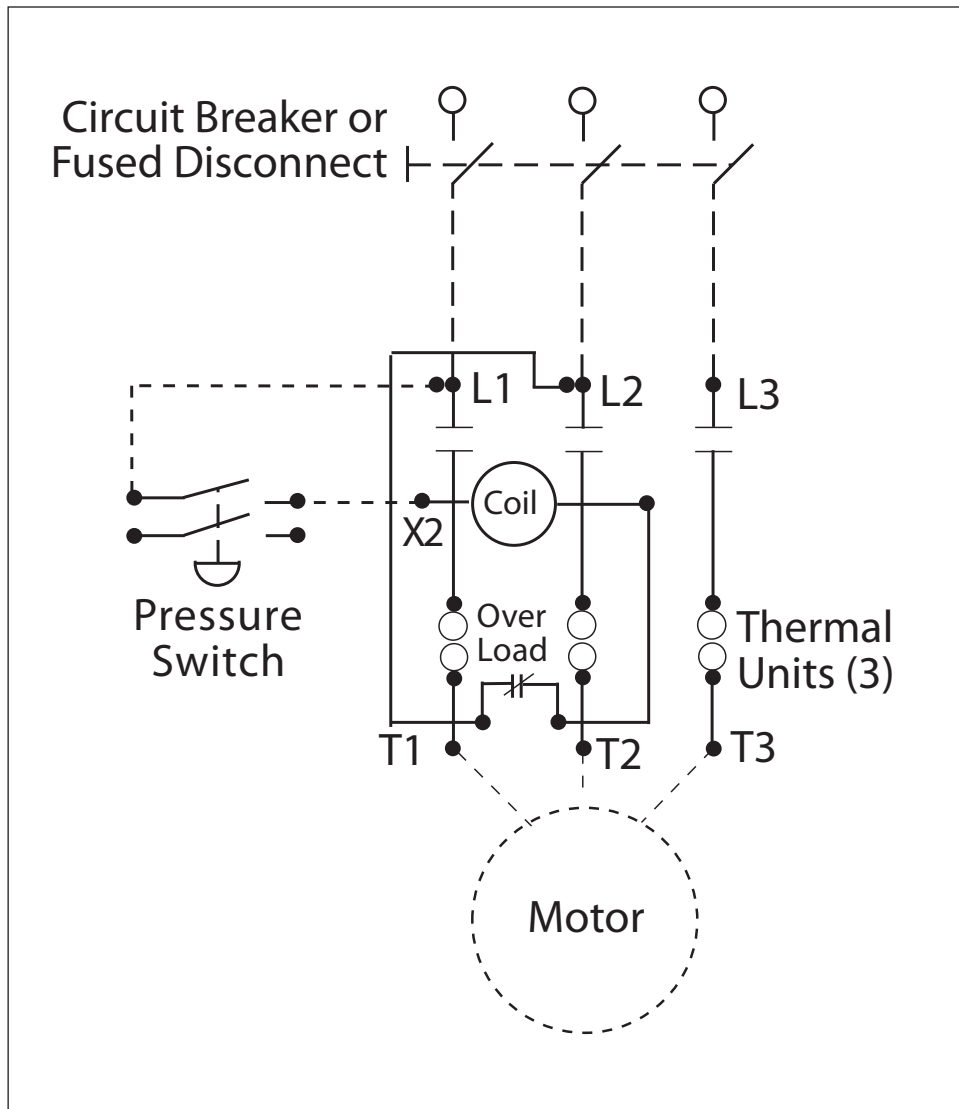


Figure 6 - Three Phase Wiring Diagram

INSTALLATION INSTRUCTIONS (CONTINUED)

Direction of Rotation

NOTE: Improper rotation will result in reduced compressor life.

The direction of rotation must be counterclockwise (as shown by the arrow on the flywheel in Figure 7) while facing the flywheel side of the pump. The motor nameplate will show wiring information for counterclockwise rotation.

The proper direction is very important. The direction of rotation of 3 phase motors can be reversed by interchanging any two motor-line leads. For single phase motors, refer to the motor nameplate.

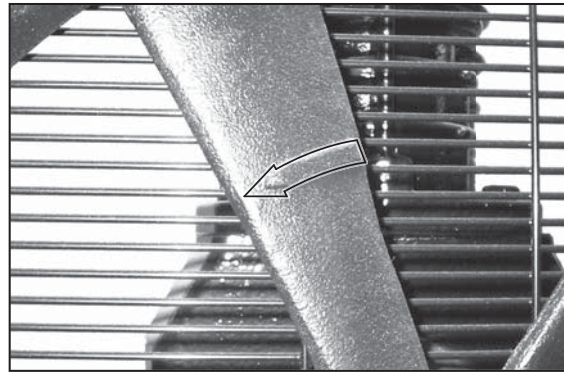


Figure 7 - Direction of rotation

Lubrication

CAUTION This unit contains no oil. Before operating compressor, fill to the center of the sight gauge (see Figure 8).

CAUTION Using any other type of oil may shorten pump life and damage valves.

Recommended Oil (2 Options)
<ul style="list-style-type: none"> Single viscosity SAE 30 ISO100 nondetergent compressor oil. Grainger part number 1WG49. 10W30 synthetic oil such as Mobil 1®.
Oil Capacity
Approximately 4 quarts

Fill the pump with oil to the center of the sight gauge using oil fill opening (see Figure 8). Do NOT fill the pump through the breather cap opening as this may cause oil to leak and spray out during operation.

NOTE: Some residual oil may still be in the pump from factory testing leaving a thin coat on the sight gauge; however, there is not enough oil to operate the unit.

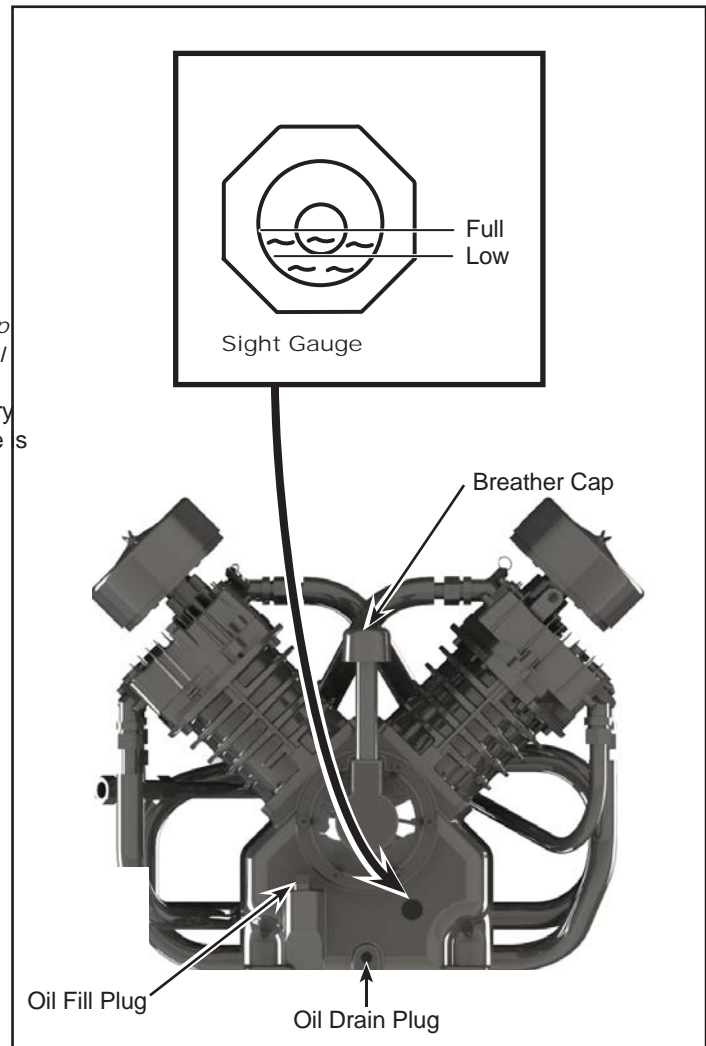


Figure 8

OPERATING INSTRUCTIONS

IMPORTANT: Check motor rotation before operating the compressor.

All lubricated compressor pumps discharge some condensed water and oil with the compressed air. Install appropriate water/oil removal equipment and controls as necessary for the intended application.

▲ WARNING Failure to install appropriate water/oil removal equipment may result in damage to machinery or workpiece.

Guarding



▲ WARNING The belt guard provided must be installed before operating the unit.

All moving parts must be guarded. All electrical covers must be installed before turning on the power.

Recommended Break-In Period

The compressor should be run continuously for one hour to allow proper seating of the piston rings.

1. Open drain cock completely and run the compressor for 60 minutes.
2. Turn off the compressor and close drain cock. The compressor is now ready for use.

Pressure Switch, Start - Stop

NOTE: This compressor has a maximum operating pressure of 175 psi. Do not alter pressure settings on control components above this limit.

The compressor unit starts and stops based on preset pressure switch settings of 145 psi cut-in and 175 psi cut-out. The pressure switch contains an unloader which is a small valve that vents air to allow the motor to start easily (see Figure 9).

The unloader valve on the pressure switch should hiss for a short period of time when the compressor shuts off. This relieves the head and the exhaust tubing of any pressure and allows the compressor to start under no load. Because compressors have high starting torque the unloader is necessary for proper starting of the compressor.

The check valve is a one way valve that keeps the air in the tank when the unit shuts off. The easiest way to determine if the check valve is working properly is to make sure that the pressure switch unloader quits hissing after the compressor shuts off. The hissing should last for several seconds and then quit.

Crankcase Breather

During severe operating conditions or initial start-up, some oil may accumulate at the crankcase breather opening. This is normal and will diminish as the pump accumulates run time and the piston rings become fully seated.

Draining Tank

Condensation must be drained from the tank daily. On Shop Air Series models use manual tank drain (see Figure 10). Tire and Lube Series models include an automatic tank drain which must be installed (see Figure 11). Refer to instructions provided with the automatic drain.

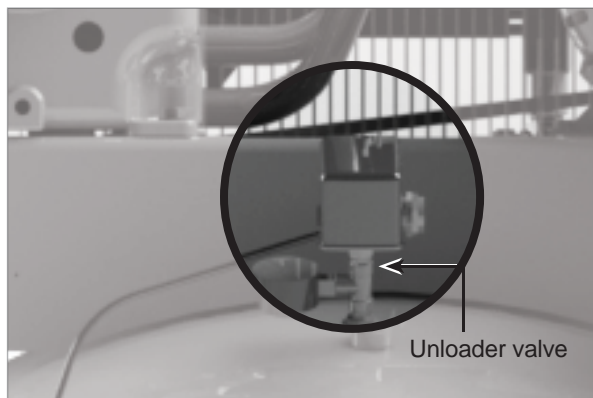


Figure 9 - Pressure Switch



Figure 10 - Manual Tank Drain



Figure 11 - Automatic Tank Drain

TROUBLESHOOTING GUIDE FOR NEW INSTALLATIONS

Symptom	Possible Cause(s)	Corrective Action
Unit fails to start - Motor makes no noise	1. Insufficient power to compressor	1. Source electric to the compressor is either the incorrect voltage, insufficient wire size to carry the load, the fuse box or breaker box is not sufficient to carry the load requirements to the compressor
	2. Unit wired incorrectly	2. Any wiring other than what is stated in the manual could cause a malfunction (see Wiring Section)
	3. Wrong voltage supplied to unit	3. Make sure voltage is correct with the motor wiring (see Wiring Section)
	4. Loose electrical connections	4. The entire electrical system should be checked by a certified electrician. The incoming wires and the compressor electrical connections should be checked. Loose connections will cause malfunctions
	5. Wrong size wiring	5. Check that wire size is rated for the current of the compressor. State and local codes vary widely and need to be checked before installation
	6. Blown fuse and/or tripped breaker	6. The breaker and fuses required for this unit must be time delay. A tripped breaker or blown fuse may result from a direct short to ground, high current draw, improper wiring, incorrect fuse or breaker size and/or type. This needs to be evaluated by a service center or certified electrician
	7. Starter overload tripped	7. Check and reset if necessary. If the overload trips after the initial reset, refer to the section below "Reset trips on starter"
Unit fails to start - Motor hums	1. Unit wired incorrectly	1. Any wiring other than what is stated in the manual could cause a malfunction (see Wiring Section)
	2. Wrong voltage	2. Make sure voltage is correct with the motor wiring (see Wiring Section)
	3. Loose electrical connections	3. The entire electrical system should be checked by a certified electrician. The incoming wires and the compressor electrical connections should be checked. Loose connections will cause malfunctions
Reset trips on starter	1. Unit wired incorrectly	1. Check voltage, wire size, etc. This problem needs to be evaluated and corrected (see Wiring Section)
	2. Wrong voltage	2. Make sure voltage is correct with the motor wiring (see Wiring Section)
	3. Wrong size wiring	3. Check to make sure wire size is rated for the current of the compressor. Check that wire size is rated for the current of the compressor. State and local codes vary widely and need to be checked before installation
Unit starts but does not get to full speed	1. Insufficient power to compressor	1. Source electric to the compressor is either the incorrect voltage, insufficient wire size to carry the load, the fuse box or breaker box is not sufficient to carry the load requirements to the compressor
	2. Loose electrical connections	2. The entire electrical system should be checked by a certified electrician. The incoming wires and the compressor electrical connections should be checked. Loose connections will cause malfunctions
Unit does not make any or very little air	1. Drain valve open	1. Make sure the drain valve at the bottom of the tank is closed
	2. Air leak	2. Check the entire system for leaks, including the compressor unit and any piping attached to the compressor
	3. Restricted or blocked intake	3. Make sure that the air intake of the compressor is not blocked in any way

Continued on next page

TROUBLESHOOTING GUIDE FOR NEW INSTALLATIONS (CONTINUED)

Symptom	Possible Cause(s)	Corrective Action
Unit runs very noisy	1. Damage to the compressor	1. Check to make sure the compressor has not been damaged in the shipping or installation. Make sure the belt guard was not damaged. Belt guard should not be making contact with flywheel or pulley
	2. Loose fasteners	2. Check all bolts and nuts to assure they did not loosen during shipping
	3. Loose flywheel or pulley	3. Check to assure pulley and flywheel are correctly tightened
	4. Improper installation	4. If unit is left on skid it may cause excessive vibration. Remove unit from skid and mount loosely to floor with vibration pads and anchor bolts. Do not tighten bolts tight. Leave nut loose approximately 1/8 inch from compressor foot
Oil in discharge air or out crankcase breather	1. Break in period	1. Some oil in the exhaust air is normal during the break-in period and during heavy usage after the break-in period. Oil discharge should reduce as hours are accumulated on the unit
	2. Wrong type of oil	2. Do not use SAE-30 automotive type oil. Using the wrong oil can cause problems with the pump and will void the warranty. Only use the oils that the operating manual recommends (see Lubrication section)
	3. Improper environment	3. Unit should not be installed in a poorly vented area or exposed to extreme cold or hot conditions. Normal operating range should be between 32°F and 100°F
Compressor seems to run hot	Rotation incorrect	Check to make sure the compressor is running the direction of the flywheel arrow. Air flow should be so that the flywheel directs air across the head of the pump. Standing in front of the compressor (non-belt guard side) air should flow back to front

TROUBLESHOOTING GUIDE FOR UNITS IN SERVICE FOR A PERIOD OF TIME

Symptom	Possible Cause(s)	Corrective Action
Motor does not run	<ol style="list-style-type: none"> 1. Loose electrical connections 2. Blown fuse and/or tripped breaker 3. Starter overload tripped 4. Defective capacitor 5. Defective magnetic starter 	<ol style="list-style-type: none"> 1. The entire electrical system should be checked by a certified electrician. The incoming wires and the compressor electrical connections should be checked. Loose connections will cause malfunctions 2. The breaker and fuses required for this unit must be time delay. A tripped breaker or blown fuse may result from a direct short to ground, high current draw, improper wiring, incorrect fuse or breaker size and/or type. This needs to be evaluated by a service center or certified electrician 3. Check and reset if necessary. If the overload trips after the initial reset, refer to the section of the "Troubleshooting guide for new installation - Reset trips on starter" 4. Check and replace (if necessary) defective capacitor 5. First check for any loose wiring and tighten if loose. Check and replace (if necessary) defective magnetic starter
Motor hums; motor draws high amps, trips overload, trips breaker, or blows fuse on start up	<ol style="list-style-type: none"> 1. Defective pressure switch unloader 2. Defective check valve - constant loss of tank pressure 3. Loose electrical connections 4. Defective capacitor 5. Valve problem or blown gasket 	<ol style="list-style-type: none"> 1. Drain the tank of all pressure. Restart compressor under no load. If compressor is able to start, then the unloader needs to be checked. If this problem is not corrected it will fail the motor and / or other electrical components 2. Determine if the check valve is working properly - pressure switch unloader should quit hissing after the compressor shuts off. If the hissing continues and if there is a constant loss of tank pressure, then the check valve is not working properly. Replace check valve 3. The entire electrical system should be checked by a certified electrician. The incoming wires and the compressor electrical connections should be checked. Loose connections will cause malfunctions 4. Check and replace (if necessary) defective capacitor 5. Check gasket and replace as needed. Other symptoms occur when a valve is not sealing or a gasket is blown such as higher than normal amp draw which may trip out the overload or breaker
Compressor runs but builds pressure slowly	<ol style="list-style-type: none"> 1. Air leak 2. Dirty air filter 3. Valve problem or blown gasket 4. Tank cracked 	<ol style="list-style-type: none"> 1. Check the entire system for leaks, including the compressor unit and any piping attached to the compressor 2. Air filters need to be changed regularly based on usage and environment. A dirty filter may appear to be clean. Change filters often 3. Check gasket and replace as needed. Other symptoms occur when a valve is not sealing or a gasket is blown such as higher than normal amp draw which may trip out the overload or breaker 4. Replace the tank. The unit should not be run under any conditions. Tanks cannot be welded or patched
Interstage safety valve pops off when the unit is running	<ol style="list-style-type: none"> 1. Valve problem or worn gasket 2. Low head bolt torque 3. Defective interstage safety valve 	<ol style="list-style-type: none"> 1. Check and replace valve or gaskets as needed 2. Check and retighten head bolts to specified torque 3. Replace interstage safety valve. Under no circumstances plug the safety valve port
Oil out breather	<ol style="list-style-type: none"> 1. Worn rings or scored cylinder 2. Compressor running hot 	<ol style="list-style-type: none"> 1. Replace rings and/or replace cylinder 2. Make sure compressor is running the correct rotation. Compressor should be clean and in a well ventilated area. Oil should be changed on regular intervals according to the specifications listed in the manual. Air filter must be changed as it gets dirty

Continued on next page

TROUBLESHOOTING GUIDE FOR UNITS IN SERVICE FOR A PERIOD OF TIME (CONTINUED)

Symptom	Possible Cause(s)	Corrective Action
Milky oil in crankcase	1. Low usage of compressor - water is condensing in the crankcase	1. Run the compressor continuously for 1 hour. The heat generated during this running period will evaporate the moisture out of the oil
	2. Wrong type of oil	2. Do not use SAE-30 automotive type oil. Using the wrong oil can cause various problems with the pump and will void the warranty. Only use the oils that the operating manual recommends
	3. Improper environment	3. Unit should not be installed in a poorly vented area or exposed to extreme cold or hot conditions. Normal operating range should be between 32°F and 100°F
	4. Rotation incorrect	4. Check to make sure the compressor is running the direction of the flywheel arrow. Air flow should be so that the flywheel directs air across the head of the pump. Standing in front of the compressor (non-belt guard side) air should flow back to front
	5. Slight leakage of tank check valve	5. Air cools and condensates, then leaks back into the pump. Draining tank of air after use will normally take care of this situation
Pressure switch continually blows air out the unloader valve	Defective check valve	Replace check valve
Pressure switch does not release air when the compressor shuts off	Pressure switch unloader not working properly	Drain the tank of all pressure. Restart compressor under no load. If compressor is able to start, then the unloader needs to be checked. If this problem is not corrected it will fail the motor and / or other electrical components
Compressor will not shut off	1. Defective pressure switch	1. Replace pressure switch
	2. Defective safety valve	2. Make sure tank pressure gauge is reading correctly and if necessary replace tank safety valve
Unit vibrates excessively	1. Loose fasteners	1. This includes mounting bolts for the pump, motor, belt guard, mag. starter, etc. Check for loose fasteners as part of a routine maintenance schedule. Tighten any loose fasteners
	2. Loose pulley, loose belt or misalignment or pulleys	2. The pulley and belt may need to be tightened over time. The pulleys may need to be realigned to assure proper belt wear and lower vibration. These should be checked as part of regular maintenance
	3. Defective pump	3. A defective pump includes knocking or making noises not normal to the pump design. Severe oil out the breather usually indicates ring or cylinder wear. Low pump performance could indicate valve problems. There are numerous symptoms associated with a defective pump. The pump will need to be evaluated
Water in discharge air	1. Hot humid weather	1. During hot and humid weather it is normal to accumulate water in the compressor tank. This is normal and requires frequent draining of tank. We recommend use of an automatic drain along with filters and dryers if this is a problem
	2. Water accumulated in the tank	2. Drain tank of water to prevent tank corrosion and air tool wear. It is recommended use of an automatic drain along with filters and dryer to prevent water into exhaust air of the compressor

Continued on next page

TROUBLESHOOTING GUIDE FOR UNITS IN SERVICE FOR A PERIOD OF TIME (CONTINUED)

Symptom	Possible Cause(s)	Corrective Action
Oil in discharge air	<ol style="list-style-type: none"> 1. Restricted intake filter 2. Wrong type of oil 3. Worn rings or scored cylinder 4. Compressor running hot 	<ol style="list-style-type: none"> 1. The filter should be changed frequently to avoid possible problems and to make the compressor operation efficient. There is a vacuum created in the intake of the compressor, which causes high oil consumption by pulling oil through the rings. There is also a chance of the intake filter media being destroyed, allowing contaminants to enter the intake and cause wear problems 2. Do not use SAE-30 automotive type oil. Using the wrong oil can cause various problems with the pump and will void the warranty. Only use the oils that the operating manual recommends 3. Replace rings and/or replace cylinder 4. Make sure compressor is running the correct rotation. Compressor should be clean and in a well ventilated area. Oil should be changed on regular intervals according to the specifications listed in the manual. Air filter must be changed as it gets dirty

MAINTENANCE AND INSPECTION INSTRUCTIONS



⚠ WARNING

Disconnect, tag and lock out power source then release all pressure from the system before attempting to install, service, relocate or perform any maintenance.

In order to maintain efficient operation of the compressor system, check the air filter and oil level before each use. The ASME safety valve should also be checked daily (see Figure 12). Pull ring on safety valve and allow the ring to snap back to normal position. This valve automatically releases air if the tank pressure exceeds the preset maximum. If air leaks after the ring has been released, or the valve is stuck and cannot be actuated by the ring, the ASME safety valve must be replaced.

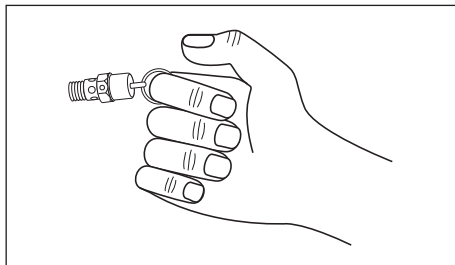


Figure 12 - ASME Safety Valve

⚠ WARNING

Do not tamper with the ASME safety valve.

Tank



⚠ WARNING

Never attempt to repair or modify a tank! Welding, drilling or any other modification will weaken the tank resulting in damage from rupture or explosion. Always replace worn, cracked or damaged tanks.

NOTICE

Drain liquid from tank daily.

The tank should be carefully inspected at a minimum of once a year. Look for cracks forming near the welds. If a crack is detected, remove pressure from tank immediately and replace.

Compressor Lubrication

See Installation. Add oil as required. The oil should be changed every three months or after every 500 hours of operation; whichever comes first.

If the compressor is running under humid conditions for short periods of time, the humidity will condense in the crankcase and cause the oil to look creamy. Oil contaminated by condensed water will not provide adequate lubrication and must be changed immediately. Using contaminated oil will damage bearings, pistons, cylinders and rings and is not covered under warranty. To avoid water condensation in the oil, periodically run the compressor with tank pressure near 150 psi for two-stage compressors or 120 psi for single stage compressors by opening the drain cock or an air valve connected to the tank or hose. Run the pump for an hour at a time at least once a week or more often if the condensation reoccurs.

IMPORTANT: Change oil after first 50 hours of operation.

Air Filter

Never run the compressor pump without an intake air filter or with a clogged intake air filter. The air filter element should be checked monthly (see Figure 13). Operating compressor with a dirty filter can cause high oil consumption and increase oil contamination in the discharge air. If the air filter is dirty it must be replaced.



Figure 13- Air Filter

MAINTENANCE AND INSPECTION INSTRUCTIONS (CONTINUED)

Intercooler

▲ CAUTION

Intercooler fins are sharp, always wear gloves and use care when you clean or work near the intercooler.

Weekly, check the intercooler to be sure all fittings are secure and tight. Clean all dirt, dust and other accumulations from the intercooler fins.

Components

Turn off all power and clean the cylinder head, motor, fan blades, air lines, intercooler and tank on a monthly basis.

Belts

▲ WARNING

Lock out and tag the power then release all pressure from the tank to prevent unexpected movement of the unit.

Check belt tension every 3 months. Adjust belt tension to allow 3/8 inch to 1/2 inch deflection with normal thumb pressure. Also, align belts using a straight edge against the face of the flywheel and touching the rim on both sides of the face. The belts should be parallel to this straight edge (see Figure 14). Dimension A should be the same as B and C to ensure proper alignment of the belts.

Slots in the bed-plate allow for sliding the motor back and forth to adjust belt tension.

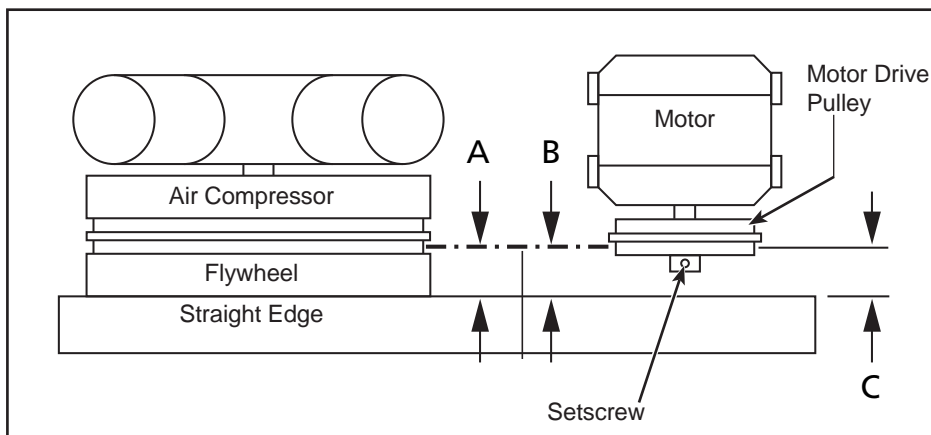
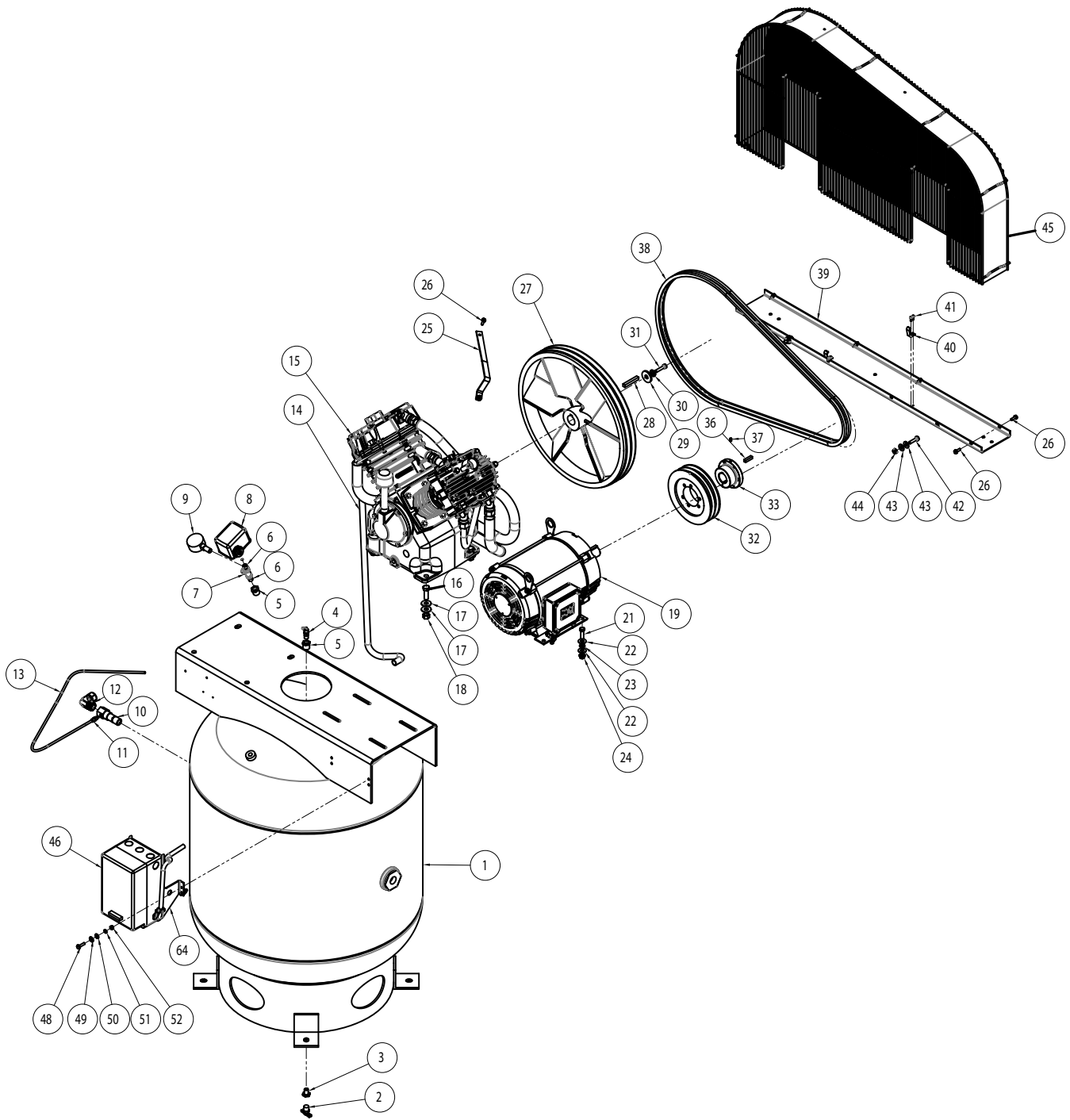


Figure 14 - Top View

Maintenance Schedule

Operation	Daily	Monthly	3 Months
Check Safety Valve	●		
Drain Tank (see Figures 10 and 11)	●		
Check Oil Level	●		
Clean or Change Air Filter		●	
Check Intercooler		●	
Clean Unit Components		●	
Check Belt Tightness			●
Change Oil (see Figure 8)			●

REPAIR PARTS ILLUSTRATION FOR 35WC66



For Repair Parts, call 1-800-Grainger
24 hours a day – 365 days a year

Please provide following information:

- Model number
- Serial number (if any)
- Part description and number as shown in parts list

REPAIR PARTS LIST FOR 35WC66

Ref. No.	Description	Part Number:	Qty.
1	10HP 90 GALLON	AR028400CG	1
2	DRAIN COCK 3/8	ST127700AV	1
3	0.375 OD 0.5 ID PIPE REDUCER BUSHING HEX	ST151200AV	1
4	SAFETY VALVE 200PSI	V-209000AV	1
5	0.25 OD 0.5 ID PIPE REDUCER BUSHING HEX	ST071428AV	2
6	1/4-18 NPT STEEL NIPPLE M/M HOSE CONNECTION	HF002404AV	2
7	1/4 NPT TEE	ST049900AV	1
8	PRESSURE SWITCH	CW207561AV	1
9	GAUGE	GA031900AV	1
10	CHECK VALVE	CV003205AV	1
11	STRAIGHT FLARE 1/4TX1/8P	ST011701AV	1
12	3/4 NPT PIPE ELBOW	ST072231AV	1
13	UNLOADER TUBE	TF400600AP	1
14	EXHAUST TUBE	CE002600AP	1
15	TWOSTAGE PUMP	5Z405	1
16	HHCS 1/2-13 1.5 LG-CLEAR ZINC-STEEL-GR2	+	4
17	WASHER-7/16-W-ID 0.5 OD 1.25-CLEAR ZINC	ST070916AV	8
18	HEX NUT 1/2-13 -ZINC	+	4
19	MOTOR WEG 10HP	MC602200AV	1
20	WIRE NUT	ST073008AV	3
21	HHCS 3/8-16 1.25 LG-CLEAR ZINC-STEEL-GR2	ST070638AV	4
22	WASHER-3/8-W-ID 0.438 OD 1-CLEAR ZINC	ST070914AV	8
23	EXT TOOTH WASHER	ST146800AV	1
24	3/8"-16 FLANGE NUT	ST033500AV	4
25	BELT GUARD BRACKET	TX034100KK	1
26	#1/4-20 SELF-TAPPIING HEX SCREW	ST074415AV	8
27	FLYWHEEL	TX034800AV	1
28	KEY FLYWHEEL	KE001310AV	1
29	WASHER	TX034600AV	1
30	WASHER-1/2-ID 0.509 OD 0.873-MECHANICAL ZINC	+	1
31	HHCS 5/16-18 1.5 LG-CLEAR ZINC-STEEL-GR2	ST070629AV	1
32	PULLEY	PU203300AV	1
33	SK BUSHING 1 3/8 - 5/16	PU203500AV	1
34	PULLEY BUSHING LOCK WASHER	--	6
35	PULLEY BUSHING SCREW	--	6
36	PULLEY KEY	--	1
37	SET SCREW	--	1
38	VBELT B82	BT011600AV	2
39	BELT GUARD TRAY	TR001901KK	1
40	BELT GUARD RETAINERS	TX033000AV	2
41	TAPPING SCREW-#8- 5-ZINC	ST073224AV	4
42	HHCS 5/16-18 1.25 LG-CLEAR ZINC-STEEL-GR2	ST012800AV	2
43	WASHER-5/16-W-ID 0.375 OD 0.875-CLEAR ZINC	ST011200AV	4
44	5/16-18 SPINLOCK NUT BLK	ST146001AV	2
45	BELT GUARD	TR001800AV	1
46	HORIZ STARTER 10HP 3PH 230V	SA001200AJ	1
47	MAG STARTER MOUNTING PLATE	JQ150800AV	1
48	HHCS 1/4-20 1 LG-PLAIN-STEEL-GR2	ST019800AV	4
49	EXT TOOTH WASHER	ST146800AV	1
50	WASHER-1/4-N-ID 0.281 OD 0.625-CLEAR ZINC	ST070910AV	4
51	WASHER-1/4-ID 0.255 OD 0.489-MECHANICAL ZINC	ST071023AV	4
52	HEX NUT 1/4-20 -ZINC	ST070711AV	4
--	NOT AVAILABLE		
+	AVAILABLE AT LOCAL HARDWARE STORE		

GETTING STARTED

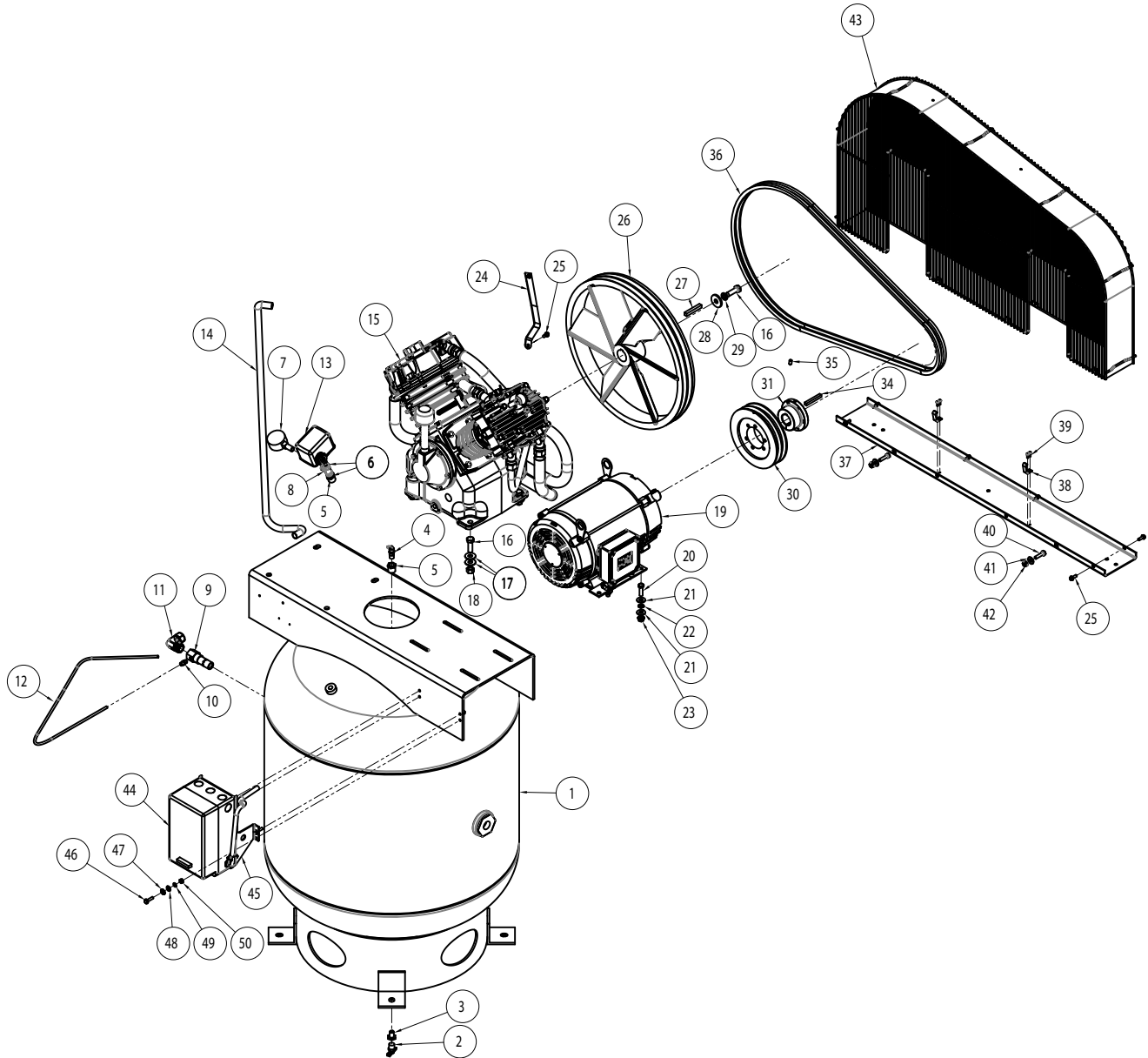
SAFETY / SPECIFICATIONS

ASSEMBLY / INSTALLATION

OPERATION

TROUBLESHOOTING

MAINTENANCE / REPAIR



For Repair Parts, call 1-800-Grainger
24 hours a day – 365 days a year

Please provide following information:

- Model number
- Serial number (if any)
- Part description and number as shown in parts list

REPAIR PARTS LIST FOR 35WC67

Ref. No.	Description	Part Number:	Qty.
1	10HP 90 GALLON	AR028400CG	1
2	DRAIN COCK 3/8	ST127700AV	1
3	0.375 OD 0.5 ID PIPE REDUCER BUSHING HEX	ST151200AV	1
4	SAFETY VALVE 200PSI	V-209000AV	1
5	0.25 OD 0.5 ID PIPE REDUCER BUSHING HEX	ST071428AV	2
6	1/4-18 NPT STEEL NIPPLE M/M HOSE CONNECTION	HF002404AV	2
7	GAUGE	GA031900AV	1
8	1/4 NPT TEE	ST049900AV	1
9	CHECK VALVE	CV003205AV	1
10	COMP. CONNECTOR 1/4"	ST011701AV	1
11	3/4 NPT PIPE ELBOW	ST072231AV	1
12	UNLOADER TUBE	TF400600AP	1
13	PRESSURE SWITCH	CW207561AV	1
14	EXHAUST TUBE	CE002600AP	1
15	TWOSTAGE PUMP	5Z405	1
16	HHCS 1/2-13 1.5 LG-CLEAR ZINC-STEEL-GR2	†	5
17	WASHER-7/16-W-ID 0.5 OD 1.25-CLEAR ZINC	ST070916AV	8
18	HEX NUT 1/2-13 -ZINC	†	4
19	MOTOR WEG 10HP 3PH	MC033700AV	1
20	HHCS 3/8-16 1.25 LG-CLEAR ZINC-STEEL-GR2	ST070638AV	4
21	WASHER-3/8-W-ID 0.438 OD 1-CLEAR ZINC	ST070914AV	8
22	EXT TOOTH WASHER	ST146800AV	1
23	3/8"-16 FLANGE NUT	ST033500AV	4
24	BELT GUARD BRACKET	TX034100KK	1
25	#1/4-20 SELF-TAPPIING HEX SCREW	ST074415AV	8
26	FLYWHEEL	TX034800AV	1
27	KEY FLYWHEEL	KE001310AV	1
28	WASHER	TX034600AV	1
29	WASHER-1/2-ID 0.509 OD 0.873-MECHANICAL ZINC	†	1
30	PULLEY	PU203300AV	1
31	SK BUSHING 1 3/8 - 5/16	PU203500AV	1
32	PULLEY BUSHING LOCK WASHER	--	6
33	PULLEY BUSHING SCREW	--	6
34	PULLEY KEY	--	1
35	SET SCREW	--	1
36	V BELT B-82	BT011600AV	1
37	BELT GUARD TRAY	TR001901KK	1
38	BELT GUARD RETAINERS	TX033000AV	2
39	TAPPING SCREW-#8-.5-ZINC	ST073224AV	4
40	HHCS 5/16-18 1.25 LG-CLEAR ZINC-STEEL-GR2	ST012800AV	2
41	WASHER-5/16-W-ID 0.375 OD 0.875-CLEAR ZINC	ST011200AV	2
42	5/16-18 SPINLOCK NUT BLK	ST146001AV	2
43	BELT GUARD	TR001800AV	1
44	10HP 3PH 230V HORIZ START	SA001200AJ	1
45	MAG STARTER MOUNTING PLATE	JQ150800AV	1
46	HHCS 1/4-20 1 LG-PLAIN-STEEL-GR2	ST019800AV	4
47	EXT TOOTH WASHER	ST146800AV	1
48	WASHER-1/4-N-ID 0.281 OD 0.625-CLEAR ZINC	ST070910AV	4
49	WASHER-1/4-ID 0.255 OD 0.489-MECHANICAL ZINC	ST071023AV	4
50	HEX NUT 1/4-20 -ZINC	ST070711AV	4
--	NOT AVAILABLE		
†	AVAILABLE AT LOCAL HARDWARE STORE		

GETTING STARTED

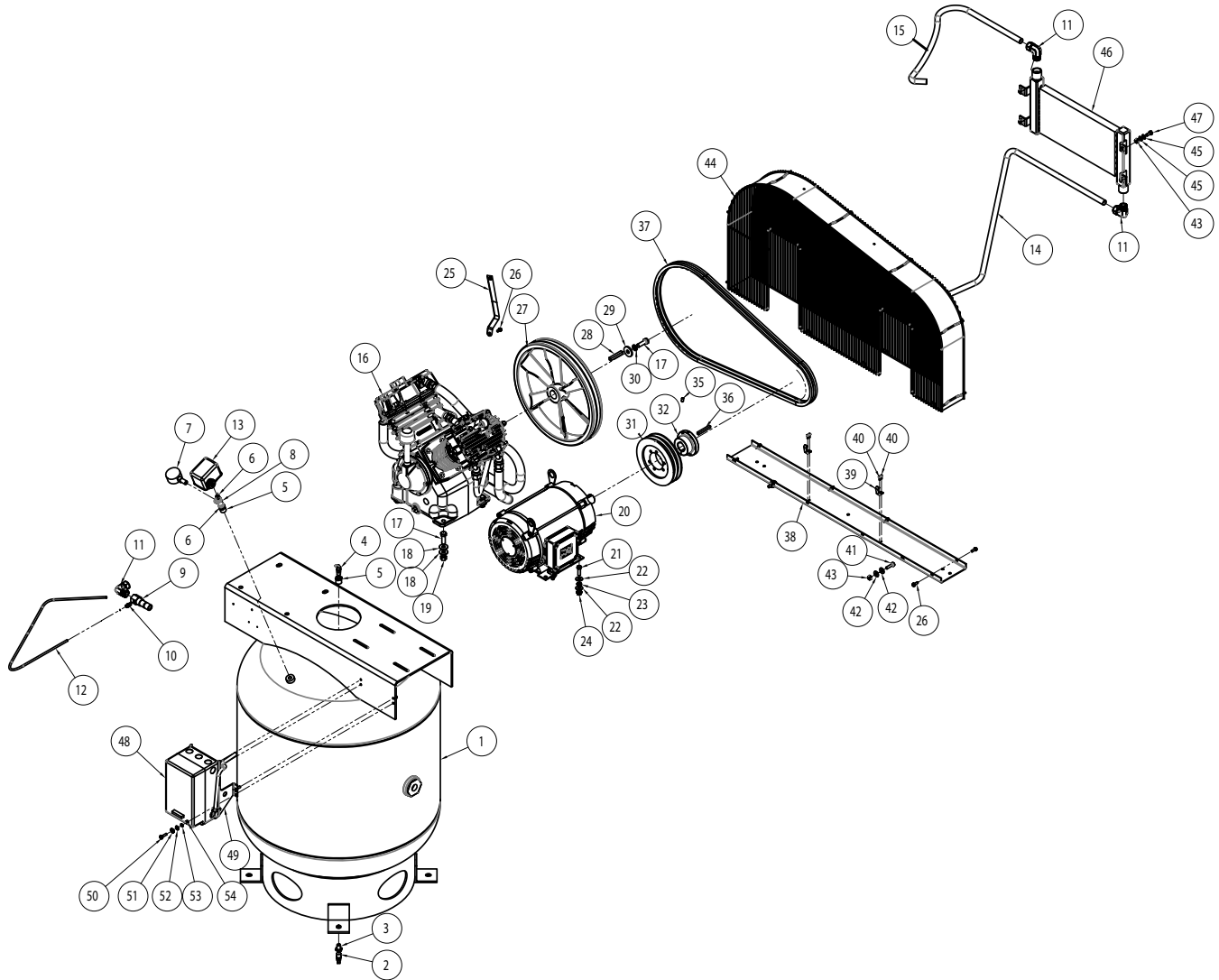
SAFETY / SPECIFICATIONS

ASSEMBLY / INSTALLATION

OPERATION

TROUBLESHOOTING

MAINTENANCE / REPAIR



Ref. No.	Description	Part Number:	Qty.
1	10HP 90 GALLON	AR028400CG	1
2	DRAIN COCK 3/8	ST127700AV	1
3	0.375 OD 0.5 ID PIPE REDUCER BUSHING HEX	ST151200AV	1
4	SAFETY VALVE 200PSI	V-209000AV	1
5	0.25 OD 0.5 ID PIPE REDUCER BUSHING HEX	ST071428AV	2
6	1/4-18 NPT STEEL NIPPLE M/M HOSE CONNECTION	HF002404AV	2
7	GAUGE	GA031900AV	1
8	1/4 NPT TEE	ST049900AV	1
9	CHECK VALVE	CV003205AV	1
10	STRAIGHT FLARE 1/4TX1/8P	ST126210AV	1

For Repair Parts, call 1-800-Grainger
24 hours a day – 365 days a year

Please provide following information:

- Model number
- Serial number (if any)
- Part description and number as shown in parts list

REPAIR PARTS LIST FOR 35WC68

Ref. No.	Description	Part Number:	Qty.
11	3/4 NPT PIPE ELBOW	ST072231AV	3
12	UNLOADER TUBE	TF400600AP	1
13	PRESSURE SWITCH	CW207561AV	1
14	EXHAUST TUBE AFTERCOOLER TO TANK	CE008700AP	1
15	EXHAUST TUBE AFTERCOOLER TO PUMP	CE008600AP	1
16	TWOSTAGE PUMP	5Z405	1
17	HHCS 1/2-13 1.5 LG-CLEAR ZINC-STEEL-GR2	†	5
18	WASHER-7/16-W-ID 0.5 OD 1.25-CLEAR ZINC	ST070916AV	8
19	HEX NUT 1/2-13 -ZINC	†	4
20	MOTOR WEG 10HP 3PH	MC033700AV	1
21	HHCS 3/8-16 1.25 LG-CLEAR ZINC-STEEL-GR2	ST070638AV	4
22	WASHER-3/8-W-ID 0.438 OD 1-CLEAR ZINC	ST070914AV	8
23	EXT TOOTH WASHER	ST146800AV	1
24	3/8"-16 FLANGE NUT	ST033500AV	4
25	BELT GUARD BRACKET	TX034100KK	1
26	#1/4-20 SELF-TAPPIING HEX SCREW	ST074415AV	8
27	16" CAST IRON FLYWHEEL	PU016700AJ	1
28	KEY FLYWHEEL	KE001310AV	1
29	WASHER	TX034600AV	1
30	WASHER-1/2-ID 0.509 OD 0.873-MECHANICAL ZINC	†	1
31	PULLEY	PU203300AV	1
32	SK BUSHING 1 3/8 - 5/16	PU203500AV	1
33	PULLEY BUSHING LOCK WASHER	--	6
34	PULLEY BUSHING LOCK WASHER	--	6
35	SET SCREW	--	1
36	PULLEY KEY	--	1
37	VBELT B82	BT011600AV	2
38	BELT GUARD TRAY	TR001901KK	1
39	BELT GUARD RETAINERS	TX033000AV	2
40	TAPPING SCREW-#8-.5-ZINC	ST073224AV	4
41	HHCS 5/16-18 1.25 LG-CLEAR ZINC-STEEL-GR2	ST070628AV	2
42	WASHER-5/16-W-ID 0.375 OD 0.875-CLEAR ZINC	ST070912AV	4
43	5/16-18 SPINLOCK NUT BLK	ST146001AV	6
44	BELT GUARD	TR001800AV	1
45	5/16" WASHER	ST011200AV	8
46	BELT GUARD AFTER COOLER	CE000300AV	1
47	SCREW, 5/16-18 X 3/4 HHD	ST016000AV	4
48	10HP 3PH 230V HORIZ START	SA001200AJ	1
49	MAG STARTER MOUNTING PLATE	JQ150800AV	1
50	HHCS 1/4-20 1 LG-PLAIN-STEEL-GR2	†	4
51	EXT TOOTH WASHER	ST146800AV	1
52	WASHER-1/4-N-ID 0.281 OD 0.625-CLEAR ZINC	ST070910AV	4
53	WASHER-1/4-ID 0.255 OD 0.489-MECHANICAL ZINC	ST071023AV	4
54	HEX NUT 1/4-20 -ZINC	ST070711AV	4
--	NOT AVAILABLE		
†	AVAILABLE AT LOCAL HARDWARE STORE		

GETTING STARTED

SAFETY / SPECIFICATIONS

ASSEMBLY / INSTALLATION

OPERATION

TROUBLESHOOTING

MAINTENANCE / REPAIR

SPEEDAIRE THREE-YEAR LIMITED WARRANTY

SPEEDAIRE THREE-YEAR LIMITED WARRANTY. All Speedaire® product models covered in this manual are warranted by Dayton Electric Mfg. Co. ("Dayton") to the original user against defects in workmanship or materials under normal use for one year after date of purchase. The compressor pump and air receiver is warranted for three years from the date of purchase. If the Speedaire Product is part of a set, only the portion that is defective is subject to this warranty. Any product or part which is determined to be defective in material or workmanship and returned to an authorized service location, as Dayton or Dayton's designee designates, shipping costs prepaid, will be, as the exclusive remedy, repaired or replaced with a new or reconditioned product or part of equal utility or a full refund given, at Dayton's or Dayton's designee's option, at no charge. For limited warranty claim procedures, see "Warranty Service" below. This warranty is void if there is evidence of misuse, mis-repair, mis-installation, abuse or alteration. This warranty does not cover normal wear and tear of Speedaire Products or portions of them, or products or portions of them which are consumable in normal use. This limited warranty gives purchasers specific legal rights, and you may also have other rights which vary from jurisdiction to jurisdiction.

WARRANTY DISCLAIMERS AND LIMITATIONS OF LIABILITY RELATING TO ALL CUSTOMERS FOR ALL PRODUCTS

LIMITATION OF LIABILITY. TO THE EXTENT ALLOWABLE UNDER APPLICABLE LAW, DAYTON'S LIABILITY FOR CONSEQUENTIAL AND INCIDENTAL DAMAGES IS EXPRESSLY DISCLAIMED. DAYTON'S LIABILITY IN ALL EVENTS IS LIMITED TO AND SHALL NOT EXCEED THE PURCHASE PRICE PAID.

WARRANTY DISCLAIMER. A DILIGENT EFFORT HAS BEEN MADE TO PROVIDE PRODUCT INFORMATION AND ILLUSTRATE THE SPEEDAIRE PRODUCTS IN THIS LITERATURE ACCURATELY; HOWEVER, SUCH INFORMATION AND ILLUSTRATIONS ARE FOR THE SOLE PURPOSE OF IDENTIFICATION, AND DO NOT EXPRESS OR IMPLY A WARRANTY THAT THE SPEEDAIRE PRODUCTS ARE MERCHANTABILITY, OR FIT FOR A PARTICULAR PURPOSE, OR THAT THE SPEEDAIRE PRODUCTS WILL NECESSARILY CONFORM TO THE ILLUSTRATIONS OR DESCRIPTIONS. EXCEPT AS PROVIDED BELOW, NO WARRANTY OR AFFIRMATION OF FACT, EXPRESSED OR IMPLIED, OTHER THAN AS STATED IN THE "LIMITED WARRANTY" ABOVE IS MADE OR AUTHORIZED BY DAYTON.

PRODUCT SUITABILITY. MANY JURISDICTIONS HAVE CODES AND REGULATIONS GOVERNING SALES, CONSTRUCTION, INSTALLATION, AND/OR USE OF PRODUCTS FOR CERTAIN PURPOSES, WHICH MAY VARY FROM THOSE IN NEIGHBORING AREAS. WHILE ATTEMPTS ARE MADE TO ASSURE THAT SPEEDAIRE PRODUCTS COMPLY WITH SUCH CODES, DAYTON CANNOT GUARANTEE COMPLIANCE, AND CANNOT BE RESPONSIBLE FOR HOW THE PRODUCT IS INSTALLED OR USED. BEFORE PURCHASE AND USE OF A PRODUCT, REVIEW THE SAFETY/SPECIFICATIONS, AND ALL APPLICABLE NATIONAL AND LOCAL CODES AND REGULATIONS, AND BE SURE THAT THE SPEEDAIRE PRODUCT, INSTALLATION, AND USE WILL COMPLY WITH THEM.

CONSUMERS ONLY. CERTAIN ASPECTS OF DISCLAIMERS ARE NOT APPLICABLE TO CONSUMER PRODUCTS SOLD TO CONSUMERS; (A) SOME JURISDICTIONS DO NOT ALLOW THE EXCLUSION OR LIMITATION OF INCIDENTAL OR CONSEQUENTIAL DAMAGES, SO THE ABOVE LIMITATION OR EXCLUSION MAY NOT APPLY TO YOU; (B) ALSO, SOME JURISDICTIONS DO NOT ALLOW A LIMITATION ON HOW LONG AN IMPLIED WARRANTY LASTS, SO THE ABOVE LIMITATION MAY NOT APPLY TO YOU; AND (C) BY LAW, DURING THE PERIOD OF THIS LIMITED WARRANTY, ANY IMPLIED WARRANTIES OF MERCHANTABILITY OR FITNESS FOR A PARTICULAR PURPOSE APPLICABLE TO CONSUMER PRODUCTS PURCHASED BY CONSUMERS, MAY NOT BE EXCLUDED OR OTHERWISE DISCLAIMED.

THIS LIMITED WARRANTY ONLY APPLIES TO SPEEDAIRE PRODUCTS PURCHASED BY UNITED STATES PURCHASERS FOR DELIVERY IN THE UNITED STATES.

WARRANTY SERVICE

To obtain warranty service if you purchased the covered product directly from W.W. Grainger, Inc. ("Grainger"), (i) write or call or visit the local Grainger branch from which the product was purchased or another Grainger branch near you (see www.grainger.com for a listing of Grainger branches); or (ii) contact Grainger by going to www.grainger.com and clicking on the "Contact Us" link at the top of the page, then clicking on the "Email us" link; or (iii) call Customer Care (toll free) at 1-888-361-8649. To obtain warranty service if you purchased the covered product from another distributor or retailer, (i) go to www.grainger.com for Warranty Service; (ii) write or call or visit a Grainger branch near you; or (iii) call Customer Care (toll free) at 1-888-361-8649. In any case, you will need to provide, to the extent available, the purchase date, the original invoice number, the stock number, a description of the defect and anything else specified in this Speedaire Three-Year Limited Warranty. You may be required to send the product in for inspection at your cost. You can follow up on the progress of inspections and corrections in the same ways. Title and risk of loss pass to buyer on delivery to common carrier, so if product was damaged in transit to you, file claim with carrier, not the retailer, Grainger or Dayton. For warranty information for purchasers and/or delivery outside the United States, please contact:

**Dayton Electric Mfg. Co.,
100 Grainger Parkway, Lake Forest, IL 60045 U.S.A.
or call +1-888-361-8649**

®

SPEEDAIRE



Compresores de aire de dos fases

Modelos 35WC66, 35WC67, 35WC68



SPEEDARTE

POR FAVOR, LEA Y GUARDE ESTAS INSTRUCCIONES. LEALAS CUIDADOSAMENTE ANTES DE TRATAR DE MONTAR, INSTALAR, OPERAR O DAR MANTENIMIENTO AL PRODUCTO AQUI DESCRITO.

PROTEJASE USTED MISMO Y A LOS DEMAS OBSERVANDO TODA LA INFORMACION DE SEGURIDAD. ¡EL NO CUMPLIR CON LAS INSTRUCCIONES PUEDE OCASIONAR DAÑOS, TANTO PERSONALES COMO A LA PROPIEDAD! GUARDE ESTAS INSTRUCCIONES PARA REFERENCIA EN EL FUTURO.

CONSULTE LA CUBIERTA POSTERIOR PARA VER LA INFORMACION DE GARANTIA DE DAYTON Y OTRA INFORMACION IMPORTANTE.

Núm. de Modelo: _____

Núm. de Serie: _____

Fecha de Compra: _____

Formulario 5S7604 / Impreso en EUA

Versión 0 12/2014

© 2014 Dayton Electric Manufacturing Co.

Reservados todos los derechos

ANTES DE COMENZAR

Introducción

Los compresores de aire de dos fases Speedaire son compresores reciprocantes lubricados por aceite.

Los modelos de la serie Shop Air incluyen:

- Bomba de compresor
- Receptor de aire ASME con válvula de seguridad
- Motor eléctrico
- Arrancador
- Interruptor de presión

Los modelos serie Tire and Lube incluyen:

- Bomba de compresor
- Receptor de aire ASME con válvula de seguridad
- Motor eléctrico
- Arrancador
- Interruptor de presión
- Refrigerador posterior enfriado por aire
- Drenaje automático para el tanque
- Almohadillas aislantes de vibración
- Válvula de cierre

Referencia Rápida
Aceite Recomendado (2 Opciones)
Aceite no detergente de viscosidad única SAE 30 ISO100 para compresores. Número de parte Grainger 1WG49.
Aceite sintético 10W30 como Mobil 1®.
Capacidad De Aceite
4 cuartos de galón (3,8 L) [por bomba]

DESEMPAQUE

▲ PRECAUCION

Nunca alce o mueva la unidad sin usar un equipo adecuado. Cerciérese de que la unidad esté bien segura. No la tome por los tubos o piezas del sistema de enfriamiento para levantarla. No use la unidad para alzar otros equipos.

Después de desempacar la unidad, inspecciónela cuidadosamente para detectar cualquier daño que pueda haber ocurrido durante el envío. Verifique que no haya piezas sueltas, faltantes ni dañadas. Asegúrese de que todos los accesorios proporcionados vengan con la unidad. En caso de que tenga preguntas, o de que haya piezas dañadas o faltantes, llame a 1-888-606-5587 para obtener asistencia al cliente.

▲ ADVERTENCIA

No debe utilizar la unidad si se ha dañado durante el envío, manejo o uso. Los daños podrían ocasionar una explosión y ocasionarle heridas o daños a su propiedad.

Artículos requeridos - No incluidos

- Aceite

Conozca su compresor

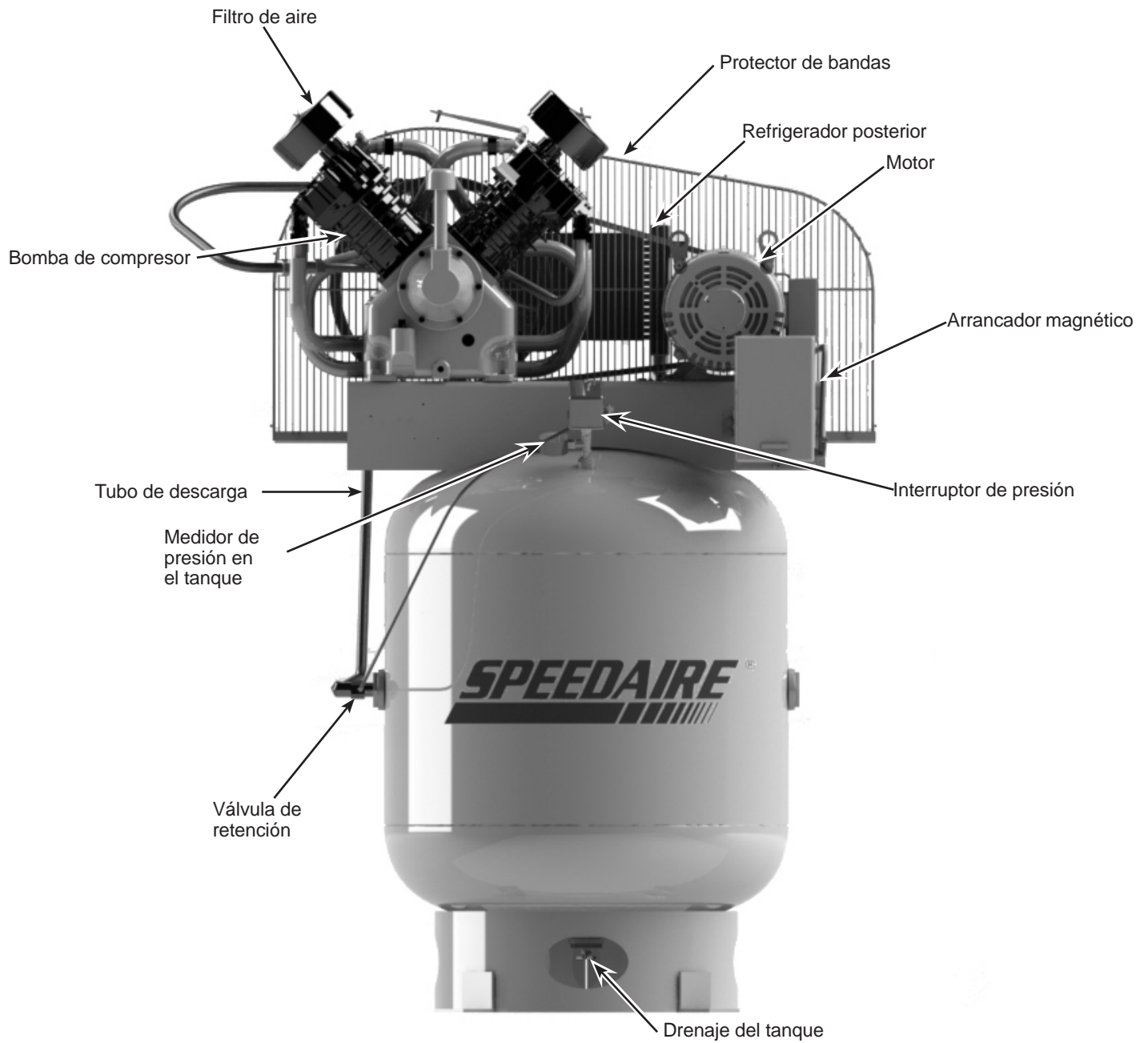


Figura 1 - Compresor de dos fases

INSTRUCCIONES GENERALES DE SEGURIDAD

Lineamientos de seguridad

Este manual contiene información que es muy importante que se conozca y comprenda. Esta información se proporciona con fines de SEGURIDAD y para EVITAR PROBLEMAS CON EL EQUIPO. Para ayudar a reconocer esta información, observe los siguientes símbolos.

⚠ PELIGRO

Peligro indica una situación inminentemente peligrosa, que si no se evita, dará como resultado la muerte o lesiones graves.

⚠ ADVERTENCIA

Advertencia indica una situación potencialmente peligrosa, que si no se evita, PODRÍA ocasionar la muerte o lesiones graves.

⚠ PRECAUCION

Precaución indica una situación potencialmente peligrosa, que si no se evita, PUEDE dar como resultado lesiones leves o moderadas.

AVISO

Aviso indica una información importante, que de no seguirla, le podría ocasionar daños al equipo.

IMPORTANTE: información que requiere atención especial.

Símbolos de Seguridad

Los siguientes símbolos de seguridad aparecen a lo largo de este manual para advertirle de importantes peligros y precauciones de seguridad.



Use protección para los ojos y máscara



Lea primero el manual



Riesgo de incendio



Riesgo de piezas móviles



Riesgo de piezas calientes



Riesgo de explosión



Riesgo de vapores



Riesgo de presión



Riesgo de choque eléctrico

Proposición 65 de California

⚠ ADVERTENCIA

Este producto, o su cordón eléctrico, puede contener productos químicos conocidos por el estado de California como causantes de cáncer y defectos de nacimiento u otros daños reproductivos. Lave sus manos después de usar.

⚠ ADVERTENCIA

Cuando corta lija, taladra o pule materiales como por ejemplo madera, pintura, metal, hormigón, cemento, u otro tipo de mampostería se puede producir polvo. Con frecuencia este polvo contiene productos químicos que se conocen como causantes de cáncer, defectos congénitos u otros daños reproductivos. Use equipo de protección.



Importantes Instrucciones De Seguridad

Sírvase leer y guardar estas instrucciones. Lea con cuidado antes de tratar de armar, instalar, manejar o darle servicio al producto descrito en este manual. Protéjase Ud. y a los demás observando todas las reglas de seguridad. El no seguir las instrucciones podría resultar en heridas y/o daños a su propiedad. Guarde este manual como referencia.

Este manual contiene información sobre seguridad, funcionamiento y mantenimiento. Si tiene preguntas, llame al 1-888-606-5587 para obtener asistencia al cliente.

Como el compresor de aire y otros componentes usados (cabezales, pistolas pulverizadoras, filtros, lubricadores, mangueras, etc.), forman parte de un sistema de bombeo de alta presión, deberá seguir las siguientes medidas de seguridad todo el tiempo:

Importantes Instrucciones De Seguridad (Continuación)**▲ PELIGRO****ADVERTENCIA SOBRE EL AIRE RESPIRABLE**

Este compresor/cabezal no viene listo de fábrica para suministrarle aire respirable. Antes de utilizarlos con este fin, deberá instalarle un sistema de seguridad y alarma incorporado a la línea. Este sistema adicional es necesario para filtrar y purificar el aire adecuadamente, para cumplir con las especificaciones mínimas sobre aire respirable de Grado D descritas en la Especificación de Productos G 7.1 de la Asociación de Aire Comprímido. Igualmente, deberá cumplir los requisitos establecidos por el Artículo 29 CFR 1910. 134 de la Organización norteamericana OSHA y/o la Canadian Standards Associations (CSA).

RENUNCIA A LAS GARANTIAS

Si el compresor se utiliza para producir aire respirable SIN haberle instalado el sistema de seguridad y alarma, todas la garantías se anularán y el fabricante no asumirá NINGUNA responsabilidad por pérdidas, heridas personales o daños.

Informaciones Generales de Seguridad

- Lea con cuidado todos los manuales incluidos con este producto. Familiarícese con los controles y el uso adecuado del equipo.
- Siga todos los códigos de seguridad laboral y electricidad establecidos en su país, por ejemplo, los de la NEC y OSHA en EUA.
- Este compresor sólo debe ser usado por personas que estén bien familiarizadas con las reglas de seguridad de manejo.
- Mantenga a los visitantes alejados y NUNCA permita la presencia de niños en el área de trabajo.
- Siempre use anteojos de seguridad y protéjase los oídos para operar el cabezal o el compresor.
- No se encarama sobre el cabezal, ni lo use para sostenerse.
- Antes de cada uso, inspeccione el sistema de aire comprimido y los componentes eléctricos para ver si están dañados, deteriorados, desgastados o tienen fugas. Repare o reemplace las piezas dañadas antes de usar el equipo.
- Chequee todas las conexiones frecuentemente para cerciorarse de que estén bien apretadas.



▲ ADVERTENCIA *Los motores, equipos eléctricos y controles, pueden ocasionar arcos eléctricos que se encenderían con gases o vapores inflamables. Nunca utilice o repare el compresor cerca de gases o vapores inflamables. Nunca almacene líquidos o gases inflamables cerca del compresor.*



▲ ADVERTENCIA *Nunca utilice el compresor sin la tapa de las bandas. Los compresores se pueden encender automáticamente sin previo aviso. Las piezas en movimiento podrían ocasionarle heridas o daños a su propiedad.*

- No se ponga ropa muy holgada o joyas, ya que éstas se le podrían enredar en las piezas en movimiento.



▲ PRECAUCION *Las piezas del compresor podrían estar calientes, inclusive cuando la unidad esté apagada.*

- Mantenga los dedos alejados del compresor cuando éste esté funcionando; las piezas en movimiento o calientes, le ocasionarían heridas y/o quemaduras.
- Si el equipo comienza a vibrar excesivamente, APAGUE el motor y chequéelo inmediatamente para determinar la razón. Generalmente, la vibración excesiva se debe a una falla.
- Para reducir el peligro de incendio, mantenga el exterior del motor libre de aceite, solventes o exceso de grasa.

▲ ADVERTENCIA *Es obligación instalar en la tubería de aire o en el tanque de este compresor una válvula de desfogue según las normas de seguridad ASME con ajuste no superior a la Presión Máxima Admisible de Trabajo (MAWP) del tanque. Esta válvula debe estar diseñada para los valores máximos de flujo y presión para proteger los componentes de la presión. Los límites máximos del flujo se indican en el manual de repuestos. La válvula de seguridad del sistema de enfriamiento interno no protege el sistema.*

▲ ADVERTENCIA *La presión máxima es 12,07 bar (175 psi) en los compresores de dos etapas. No lo utilice con el presostato o las válvulas del piloto fijadas a presiones mayores de 12,07 bar (175 psi) [dos etapas].*

- Nunca trate de ajustar la válvula de seguridad ASME. Evite que se le acumule pintura u otro residuos.

Importantes Instrucciones De Seguridad (Continuación)



⚠ ADVERTENCIA ¡Nunca trate de reparar o modificar el tanque! Si lo suelda, taladra o modifica de cualquier otra manera, el tanque se debilitará y podría romperse o explotar. Siempre reemplace los tanques desgastados, rotos o dañados.

AVISO

Drene el líquido del tanque diariamente.

- Los tanques se oxidan debido a la acumulación de humedad y esto debilita el tanque. Cerciórese de drenar el tanque con regularidad e inspeccionarlo periódicamente, para ver si está en malas condiciones, por ejemplo, si está oxidado.
- La circulación rápida de aire podría levantar polvo y desperdicios dañinos. Siempre libere el aire lentamente para drenar el tanque o liberar la presión del sistema.

Precauciones Para Rociar



⚠ ADVERTENCIA No rocíe materiales inflamables cerca de llamas abiertas o de fuentes de ignición, incluyendo el compresor.



- No fume mientras esté rociando pintura, insecticidas u otras sustancias inflamables.
- Use una máscara/respirador cuando vaya a rociar y siempre rocíe en un área bien ventilada, para evitar peligros de salud e incendios.
- Nunca rocíe pintura ni otros materiales, directamente hacia el compresor. Coloque el compresor lo más lejos posible del área de trabajo, para minimizar la acumulación de residuos en el compresor.
- Al rociar o limpiar con solventes o químicos tóxicos, siga las instrucciones del fabricante de dichos químicos.

GUARDE ESTAS INSTRUCCIONES –
NO LAS DESECHE

Los símbolos de **PELIGRO, ADVERTENCIA, PRECAUCIÓN, y AVISO** y las instrucciones en este manual no pueden posiblemente cubrir todas las condiciones y situaciones posibles que puedan presentarse. El operador debe entender que la precaución es un factor que no puede ser incluido en el producto, sino que debe ser proporcionada por el operador.

ESPECIFICACIONES

	35WC66	35WC67	35WC68
Totalmente empaquetado	--	--	Sí
HP del motor	10	10	10
Potencia	200V	208-230/460V	208-230/460V
Fases	3	3	3
Desplazamiento en CFM	1220.5 l/min	1220.5 l/min	1220.5 l/min
Entrega de aire en CFM	965.6 l/min	965.6 l/min	965.6 l/min
PSI Max	12,1 bar	12,1 bar	12,1 bar
RPM de la bomba	700	700	700
Capacidad del tanque	340.65 L	340.65 L	340.65 L
Peso de la unidad	385.56 kg	385.56 kg	385.56 kg
Carga en amperes	28.1	27.2-24.6/12.3	27.2-24.6/12.3
Ciclo máximo de uso	80/20	80/20	80/20
Salida del tanque	1 pulgada (F) NPT	1 pulgada (F) NPT	1 pulgada (F) NPT

DIMENSIONES

	35WC66	35WC67	35WC68
Longitud	132.08 cm	132.08 cm	132.08 cm
Ancho	60.96 cm	60.96 cm	60.96 cm
Altura	175.26 cm	175.26 cm	175.26 cm

INSTRUCCIONES DE INSTALACIÓN



⚠ ADVERTENCIA *Desconecte el cordón eléctrico, amárrelo y aléjelo del tomacorrientes, después libere toda la presión del tanque antes de tratar de instalar el compresor, darle servicio, moverlo de sitio o darle cualquier tipo de mantenimiento.*

⚠ PRECAUCION *Nunca alce o mueva la unidad sin usar un equipo adecuado. Cerciórese de que la unidad esté bien segura. No la tome por los tubos o piezas del sistema de enfriamiento para levantarla. No use la unidad para alzar otros equipos.*

⚠ PRECAUCION *Nunca instale el compresor sobre la base de madera en la que se envió de la fábrica.*

Elección Del Lugar

Siempre debe instalar y utilizar el compresor en un área limpia y bien ventilada y a una distancia de por lo menos 46 cm (18 inches) de cualquier obstrucción. La temperatura del medio ambiente no debe exceder los 37,8° C. Esto le garantizará el flujo normal de aire para enfriar el compresor y suficiente espacio para darle mantenimiento.

⚠ PRECAUCION *Nunca coloque la entrada de aire del compresor cerca de un área donde haya vapor, donde se rocíe pintura o arena, o haya otras fuentes de contaminación.*

NOTA: Cuando utilice el compresor en un ambiente cálido y húmedo le debe suministrar aire limpio y seco del exterior al cabezal. Utilice una tubería para suministrarle el aire del exterior.

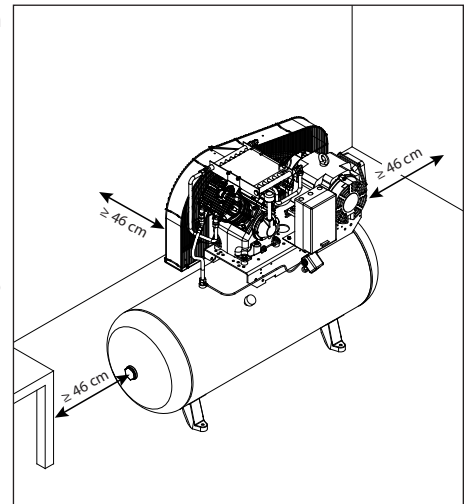


Figura 2 - Ubicación

Para Instalar el Tanque

El tanque se debe instalar sobre un piso plano y nivelado de concreto, o sobre una base de concreto separada. Debe colocarle aislantes entre las patas del tanque y el piso. Se recomiendan almohadillas aislantes modelo 2LVP7 para unidades horizontales. Las almohadillas aisladoras se incluyen con los modelos completos.

Cuando use las almohadillas aislantes, no apriete los pernos excesivamente. Debe permitir que las almohadillas absorban la vibración. Cuando use las almohadillas aislantes, debe instalar una manguera flexible o acoplador, entre el tanque y las tuberías de servicio.

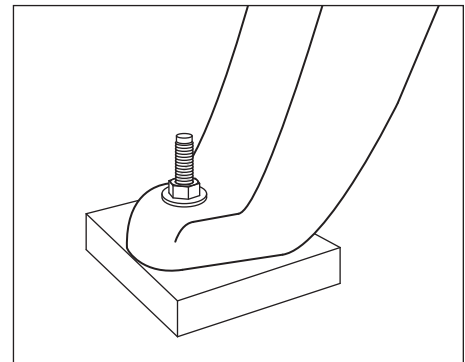


Figura 3 - Almohadillas aisladoras



⚠ ADVERTENCIA *Si no instala el tanque adecuadamente, las soldaduras se podrían romper y el tanque podría explotar.*

Tuberías

⚠ ADVERTENCIA *Nunca use tuberías de plástico (PVC) con aire comprimido. Esto podría ocasionarle heridas graves.*

Cualquier tipo de tuberías o manguera que conecte al compresor deben estar diseñados para el tipo de temperaturas y presiones generadas. Todos los componentes presurizados del sistema de aire deben tener una clasificación de presión de 13,79 bar (200 psi) o superior. Si selecciona e instala una tubería o manguera incorrecta, éstas podrían explotar y ocasionarle heridas. Para conectar las tuberías al tanque, utilice conexiones del mismo tamaño que el orificio de salida.

Tamaño Mínimo de las Tuberías de las Líneas de Aire Comprimido

m ³ /min	Longitud de las Tuberías			
	7,62 m	15,24 m	30,48 m	76,2 m
10	12,7 mm	12,7 mm	19,1 mm	19,1 mm
20	19,1 mm	19,1 mm	19,1 mm	2,54 cm
40	19,1 mm	2,54 cm	2,54 cm	2,54 cm
60	19,1 mm	2,54 cm	2,54 cm	2,54 cm
100	2,54 cm	2,54 cm	2,54 cm	3,18 cm

Para Instalarle Una Valvula De Cierre

Debe instalarle una válvula de cierre en la salida del tanque para controlar el flujo de aire que sale del tanque. La válvula se debe colocar entre el tanque y las tuberías.

⚠ ADVERTENCIA *Nunca instale una válvula de cierre entre el cabezal y el tanque. Ésto le podría ocasionar heridas y/o daños a su propiedad. Nunca use reductores en las tuberías de salida.*



Figura 4 - Valvula de cierre

Cuando vaya a instalar un sistema permanente de distribución de aire comprimido, debe calcular la longitud total del sistema y seleccionar las tuberías adecuadas según la tabla que le ofrecemos en este manual. Las tuberías se deben instalar bajo el nivel de congelamiento, para evitar que creen vacío donde se pueda concentrar la condensación y se congelen.

Aplíquelo presión de aire a las tuberías y cerciórese de que ninguna conexión tenga fugas ANTES de cubrirlas. Antes de utilizar el compresor, cerciórese de que no haya fugas en las tuberías y conexiones y repárelas de haberlas.

Alambrado

⚠ ADVERTENCIA *Todo el cableado e instalaciones eléctricas deberán ser realizados por un electricista calificado familiarizado con los controles de motores de inducción. Las instalaciones se deben hacer según los códigos locales y nacionales.*

⚠ ADVERTENCIA *Si el sistema de alambrado no se instala adecuadamente podría ocasionar sobrecalentamiento, cortocircuitos e incendios.*

El alambrado se debe hacer según todos los códigos nacionales de electricidad y los reglamentos sobre artefactos eléctricos y de alambrado. Consúltelo a un técnico especializado en la materia y cumpla con todas la ordenanzas. Cerciórese de usar los cables adecuados y de que:

1. El amperaje sea adecuado.
2. La línea de suministro eléctrico sea similar a la del motor (voltaje, ciclaje y fases). Consulte la placa del motor para ver la capacidad y especificaciones eléctricas.
3. Los alambres sean del calibre adecuado y de que no hayan otros artefactos eléctricos conectados a la misma línea. Aquí le ofrecemos una tabla con los tamaños adecuados para instalar el compresor.

Taille De Fil Minimum Utiliser Le Fil En Cuivre 75°C

Asegúrese de que el voltaje concuerde con el cableado del motor.

NOTA: Si usa corriente monofásica de 208 voltios, asegúrese de que la placa de nombre del motor diga que está clasificado para corriente monofásica de 208 voltios. Los motores para corriente monofásica de 230 voltios no funcionan con 208 voltios a menos que tengan la clasificación de 208 voltios.

CP	Amps	Monophasé		Triphasé	
		230V	208/230V	208/230V	460/575V
SPL	asta 22.0	10 AWG			
5.0		8 AWG	12 AWG		14 AWG
7.5		8 AWG	10 AWG		12 AWG
10.0		N/A	8 AWG		12 AWG
15.0		N/A	6 AWG		10 AWG
25.0		N/A	3 AWG		8 AWG
30.0		N/A	2 AWG		6 AWG

Los tamaños de cable recomendados pueden ser más grandes que el mínimo establecido por ordenanzas locales. Si fuera así, debe usarse el cable de mayor tamaño para evitar un descenso excesivo de voltaje en la línea. El costo adicional de los cables es muy bajo comparado con el costo de la reparación o cambio de un motor subalimentado por el uso de cables de suministro demasiado pequeños.

INSTRUCCIONES DE INSTALACIÓN
(CONTINUACIÓN)



Conexion A Tierra

⚠ ADVERTENCIA *Los artefactos eléctricos conectados a tierra incorrectamente constituyen un riesgo de electrocutamiento. Cerciórese de que todas las conexiones a tierra estén hechas adecuadamente para evitar la muerte o heridas de gravedad.*

Este producto se **debe** conectar a tierra. Al conectarlo a tierra reduce el riesgo de choque eléctrico ya que, si ocurre un cortocircuito, la conexión a tierra le ofrece un desvío a la corriente eléctrica. Este producto se debe utilizar con un cordón eléctrico o cable que tenga conexión a tierra.

Disyuntores y Fusibles

El sistema eléctrico completo debe ser verificado por un electricista certificado. Los disyuntores con retraso y fusibles son necesarios para este compresor. Un disyuntor disparado o fusible quemado puede indicar que falta una conexión directa a tierra, un alto consumo de corriente, cableado inadecuado o tamaño y/o tipo incorrecto de fusible o disyuntor. Esto debe ser evaluado por un electricista certificado.

Para Conectar el Motor e Instalar el Motor de Arranque

El circuito se debe proteger según las ordenanzas nacionales para la instalación de motores eléctricos y el diseño de los sistemas de alambrado, por ejemplo, en los Estados Unidos siga las ordenanzas de la organización NEC (artículo 210 del capítulo 2 y artículo 430, Tabla 430-1-52).

IMPORTANTE: Todos los motores requieren un sistema de protección de sobrecarga.

Consulte la diagrama de cableado para la instalación eléctrica.

Modelos de la serie de neumáticos y lubricantes –
Figura 6.

Los motores trifásicos están clasificados para tri-voltaje: 208- 230/460. Son enviados de fábrica previamente cableados para funcionamiento de 208 a 230 voltios. Si desea un funcionamiento a 460 voltios, es necesario volver a realizar parte del cableado.

Modelos de la serie de neumáticos y lubricantes

1. Vuelva a realizar el cableado para 460 voltios según la placa de datos del motor.
2. Instalar el juego de conversión de 460 voltios incluido con su unidad (numero de pieza ST122008AJ para los modelos 35WC58 y 35WC55, y en numero de pieza ZZ005050AJ para el modelo 35WC56). Tanto la bobina como los elementos térmicos de sobrecarga en el arrancador magnético deben ser sustituidos (vea la Figura 5).



Figura 5 - Kit de conversión para 460 voltios - Serie de taller

Modelo	Número de parte del kit de conversión 460
35WC67	ST122008AJ
35WC68	ST122008AJ

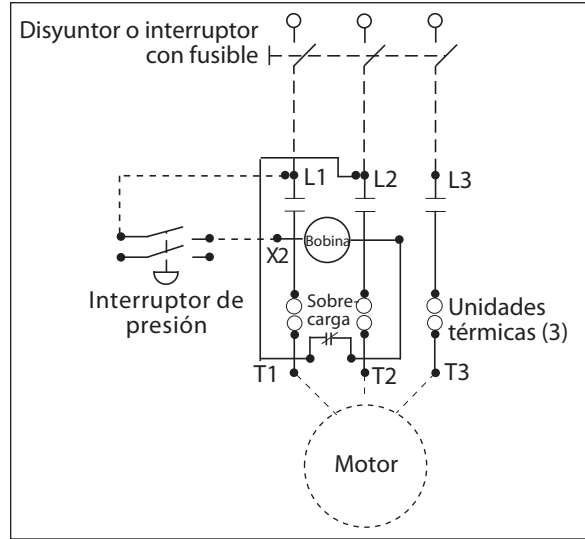


Figura 6 - Diagrama de cableado trifásico

**INSTRUCCIONES DE INSTALACIÓN
(CONTINUACIÓN)**

Dirección de Rotación

NOTA: La rotación incorrecta reduciría la duración de la unidad.

La dirección de la rotación debe ser en sentido contrario al de las agujas del reloj (tal como lo indica la flecha en el volante en la Figura 7) al estar parado al frente del cabezal en el mismo lado del volante. La instrucciones para el alambrado para la rotación en sentido contrario al de las agujas del reloj aparecen en la placa del motor.

La dirección adecuada de rotación es sumamente importante. La dirección de rotación de los motores trifásicos se puede cambiar con solo intercambiar dos de los cables del motor. Para los motores monofásicos, vea las instrucciones en la placa del motor.

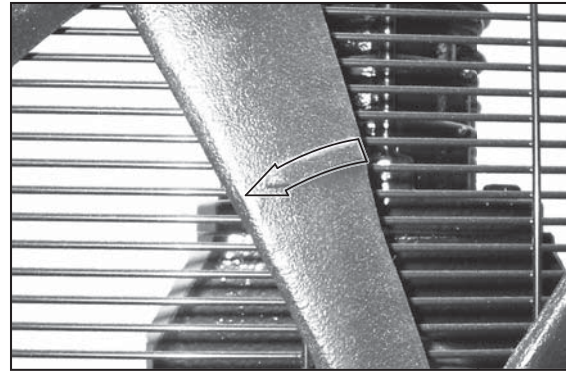


Figura 7 - Dirección de la rotación

Lubricación

▲ PRECAUCION *ESTA UNIDAD NO TIENE ACEITE. Antes de utilizar el compresor. Llene hasta el centro del calibrador visual (ver Figura 8).*

▲ PRECAUCION *Si utiliza cualquier otro tipo de aceite podría disminuir la duración del cabezal y dañar las válvulas.*

<u>Aceite Recomendado (2 Opciones)</u>
Aceite no detergente de viscosidad única SAE 30 ISO100 para compresores. Número de parte Grainger 1WG49.
Aceite sintético 10W30 como Mobil 1®.
<u>Capacidad de Aceite</u>
Aproximadamente 3,8 litros (1 galón) (por bomba)

Llene la bomba con aceite hasta el centro de la mirilla de medición usando la abertura para llenado de aceite (vea la Figura 8). NO llene la bomba a través de la tapa del respiradero, pues esto podría causar fugas de aceite y hacer que rocíe durante la operación.

NOTA: Puede quedar algo de aceite residual en la bomba debido a las pruebas de fábrica, dejando una capa delgada en la mirilla de medición; sin embargo, no hay suficiente aceite para operar la unidad.

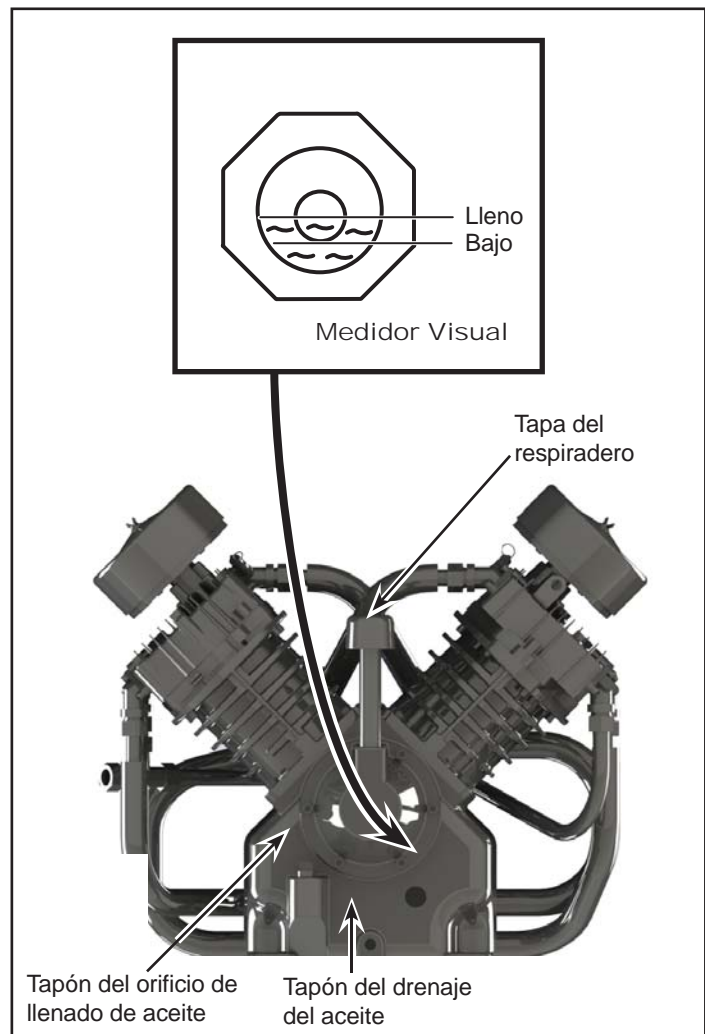


Figura 8

INSTRUCCIONES DE OPERACIÓN

IMPORTANTE: Chequee la rotación del motor antes de utilizar el compresor.

Todos los cabezales que requieren lubricación expulsan agua condensada y aceite con el aire comprimido. Por lo tanto, en ciertos casos, deberá instalar los filtros adecuados para eliminar agua/aceite.

AVISO

Si no le instala los filtros adecuados para eliminar el agua/aceite podría ocasionarle daños a la maquinaria o pieza de trabajo.

Proteccion



ADVERTENCIA

Antes de utilizar el compresor le debe instalar la tapa de las bandas.

Todas las piezas que se mueven deben estar protegidas con una tapa. Debe colocarle todas las tapas al sistema eléctrico antes de encender el compresor.

Periodo de Uso Inicial Recomendado

La primera vez que vaya a utilizar el compresor, debe dejarlo funcionar continuamente durante una hora, para permitir que los anillos de los pistones se fijen adecuadamente.

1. Abra la llave de drenaje del tanque y deje que el compresor funcione durante 60 minutos.
2. Apague el compresor y cierre la llave de drenaje. El compresor está listo para funcionar.

Presostato, Arranque - Paro

NOTE: Este compresor tiene una presión máxima de funcionamiento de 175 psi (12,7 bar) para compresores de dos etapas. Nunca exceda esta presión en ninguno de los controles de los componentes.

La unidad de compresión se inicia y se detiene basándose en la configuración del presostato preestablecida de 145 psi (10,00 bar) de inicio y 175 psi (12,07 bar) de corte. El interruptor de presión contiene una pequeña válvula de descarga que permite la salida del aire para que el motor pueda arrancar fácilmente (ver Figura 9).

La válvula de descarga en el presostato silbará durante un breve período de tiempo cuando el compresor se apague. Esto libera el cabezal y la tubería de salida de toda presión y permite que el compresor se inicie sin carga. Debido a que los compresores tienen una alta torsión de arranque, es necesaria una válvula de descarga para iniciar el compresor correctamente.

La válvula de retención es una válvula de un solo sentido que mantiene el aire en el tanque cuando la unidad se apaga. La forma más fácil de determinar si la válvula de retención no está funcionando correctamente es asegurarse de que la válvula de descarga del presostato deje de silbar luego de que se apaga el compresor. El silbido debe durar por varios segundos y luego dejar de sonar.

Respirador De La Caja Del Cigüeñal

Durante condiciones severas de funcionamiento o al encenderlo por primera vez, podría crearse una acumulación de aceite en el orificio del respirador de la caja del cigüeñal. Ésto es normal y disminuirá con el uso, ya que los anillos se fijarán.

Drenaje Del Tanque

La condensación debe drenarse del tanque todos los días. Los modelos de la serie Shop Air usan un drenaje manual para el tanque (ver Figura 10) Los modelos serie Tire and Lube incluyen un drenaje automático para el tanque que debe ser instalado (ver Figura 11). Consulte las instrucciones incluidas con el drenaje automático.

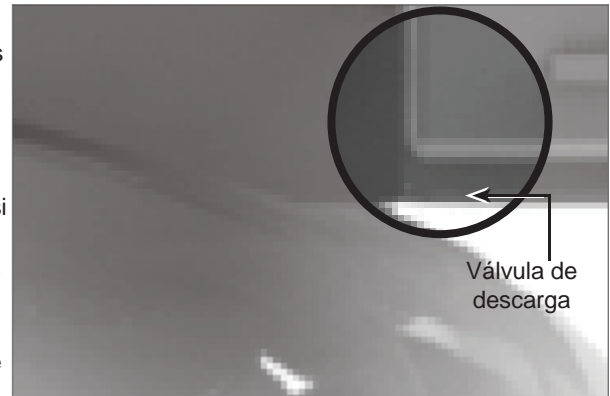


Figura 9 - Presostato



Figura 10 - Drenaje manual para el tanque



Figura 11 - Drenaje automático del tanque

GUÍA DE DIAGNÓSTICO DE PROBLEMAS PARA INSTALACIONES NUEVAS

Síntoma	Causa(s) Posible(s)	Medida Correctiva
La unidad no arranca, el motor no hace ruido	1. Energía insuficiente al compresor	1. La fuente de energía eléctrica al compresor es del voltaje incorrecto, el tamaño del cable no es lo suficientemente grande para transportar la carga, la caja de fusibles o la caja del interruptor no es suficiente para transportar los requisitos de carga hacia el compresor
	2. La unidad está mal cableada	2. Todo cableado distinto del indicado en el manual puede provocar un funcionamiento defectuoso (vea la Sección de Cableado)
	3. Voltaje incorrecto suministrado a la unidad	3. Asegúrese de que el voltaje concuerde con el cableado del motor (vea la Sección de Cableado)
	4. Conexiones eléctricas sueltas	4. El sistema eléctrico completo debe ser verificado por un electricista certificado. Los cables entrantes y las conexiones eléctricas del compresor deben revisarse. Las conexiones sueltas provocarán funcionamientos defectuosos
	5. Cableado de tamaño incorrecto	5. Verifique que el tamaño de los cables esté calificado para la corriente del compresor. Los códigos estatales y locales varían ampliamente y deben revisarse antes de la instalación
	6. Fusible quemado y/o disyuntor disparado	6. El disyuntor y fusibles necesarios para esta unidad deben tener retraso. Un disyuntor disparado o fusible quemado puede ser resultado de una conexión directa a tierra, un alto consumo de corriente, cableado inadecuado, tamaño y/o tipo incorrecto de fusible o disyuntor. Esto debe evaluarlo un centro de servicio o un electricista certificado
	7. Disparo del encendido por sobrecarga	7. Verifique y reinicielo si es necesario. Si la sobrecarga se dispara tras el reinicio inicial, consulte la sección siguiente "Disparo del reinicio en el arrancador".
La unidad no arranca, el motor zumba	1. La unidad está mal cableada	1. Todo cableado distinto del indicado en el manual puede provocar un funcionamiento defectuoso (vea la Sección de Cableado)
	2. Voltaje incorrecto	2. Asegúrese de que el voltaje corresponda con el cableado del motor (vea la Sección de Cableado).
	3. Conexiones eléctricas sueltas	3. El sistema eléctrico completo debe ser verificado por un electricista certificado. Los cables entrantes y las conexiones eléctricas del compresor deben revisarse. Las conexiones sueltas provocarán funcionamientos defectuosos
Disparo del reinicio en el arrancador	1. La unidad está mal cableada	1. Controle el voltaje, el tamaño de los cables, etc. Este problema debe evaluarse y corregirse (vea la Sección de Cableado)
	2. Voltaje incorrecto	2. Asegúrese de que el voltaje corresponda con el cableado del motor (vea la Sección de Cableado)
	3. Cableado de tamaño incorrecto	3. Verifique y asegúrese de que el tamaño de los cables esté calificado para la corriente del compresor. Verifique que el tamaño de los cables esté calificado para la corriente del compresor. Los códigos estatales y locales varían ampliamente y deben revisarse antes de la instalación
La unidad arranca pero no alcanza su velocidad máxima	1. Energía insuficiente al compresor	1. La fuente de energía eléctrica al compresor es del voltaje incorrecto, el tamaño del cable no es lo suficientemente grande para transportar la carga, la caja de fusibles o la caja del interruptor no es suficiente para transportar los requisitos de carga hacia el compresor
	2. Conexiones eléctricas sueltas	2. El sistema eléctrico completo debe ser verificado por un electricista certificado. Los cables entrantes y las conexiones eléctricas del compresor deben revisarse. Las conexiones sueltas provocarán funcionamientos defectuosos

Continúa en la página siguiente

GUÍA DE DIAGNÓSTICO DE PROBLEMAS PARA INSTALACIONES NUEVAS (CONTINUACIÓN)

Síntoma	Causa(s) Posible(s)	Medida Correctiva
La unidad no expulsa o expulsa muy poco aire	1. Válvula de drenaje abierta	1. Asegúrese de que la válvula de drenaje en la parte inferior del tanque esté cerrada
	2. Pérdida de aire	2. Revise el sistema completo en busca de pérdidas, incluyendo la unidad del compresor y cualquier tubería conectada al compresor
	3. Entrada limitada o bloqueada	3. Asegúrese de que la entrada de aire del compresor no esté bloqueada de modo alguno
La unidad funciona pero con mucho ruido	1. Compresor dañado	1. Revise el compresor para asegurarse de que no se ha dañado durante el envío o la instalación. Asegúrese de que el protector de la correa no se haya dañado. El protector de la correa no debe estar en contacto con el volante ni con la polea
	2. Sujetadores flojos	2. Revise todos los pernos y tuercas para asegurarse de que no se aflojaron durante el envío
	3. Volante o polea flojos	3. Revise para asegurarse que la polea y el volante estén correctamente ajustados
	4. Instalación incorrecta	4. Si la unidad se deja sobre el calzo puede provocar vibraciones excesivas. Quite la unidad del calzo y móntela floja al piso con almohadillas para vibración y pernos de anclaje. No ajuste los pernos en exceso. Deje la tuerca floja a aproximadamente 3,2 mm del pie del compresor
Aceite en el aire de descarga o en el respirador exterior de la caja del cigüeñal	1. Período de ablandamiento	1. Algo de aceite en el escape es normal durante el período de ablandamiento y durante el uso intensivo luego del período de ablandamiento. La descarga de aceite debe disminuir a medida que la unidad acumule horas de uso
	2. Tipo de aceite incorrecto	2. No utilice aceite de tipo automotriz SAE-30. Usar el aceite incorrecto puede causar problemas con la bomba y anular la garantía. Use solamente los aceites recomendados en el manual de funcionamiento (vea la sección Lubricación)
	3. Entorno inadecuado	3. La unidad no debe ser instalada en un área con poco ventilada ni debe ser expuesta a condiciones extremas de frío o calor. El rango normal de funcionamiento debe ser de entre 32 °F y 100 °F (0 °C a 37,7 °C)
El compresor parece calentarse	Rotación incorrecta	Verifique para asegurarse de que el compresor esté funcionando en la dirección de la flecha del volante. El flujo de aire debe ser tal que el volante dirija el aire a través del cabezal de la bomba. Si se pone de pie en frente del compresor (el lado que no tiene el protector de la correa) el aire debe fluir de atrás hacia adelante

GUÍA DE DIAGNÓSTICO DE PROBLEMAS PARA UNIDADES EN SERVICIO POR UN PERÍODO DE TIEMPO

Sintoma	Causa(s) Posible(s)	Medida Correctiva
El motor no funciona	1. Conexiones eléctricas sueltas	1. El sistema eléctrico completo debe ser verificado por un electricista certificado. Los cables entrantes y las conexiones eléctricas del compresor deben revisarse. Las conexiones sueltas provocarán funcionamientos defectuosos
	2. Fusible quemado y/o disyuntor disparado	2. El disyuntor y fusibles necesarios para esta unidad deben ser con retraso. Un disyuntor disparado o fusible quemado puede ser resultado de una conexión directa a tierra, un alto consumo de corriente, cableado inadecuado, tamaño y/o tipo incorrecto de fusible o disyuntor. Esto debe evaluarlo un centro de servicio o un electricista certificado
	3. Disparo del encendido por sobrecarga	3. Verifique y reinicielo si es necesario. Si la sobrecarga se dispara tras el reinicio inicial, consulte la sección "Guía de solución de problemas para instalaciones nuevas - Disparo del reinicio en el arrancador".
	4. Condensador de arranque defectuoso	4. Verifique y cambie (si fuera necesario) el condensador de arranque defectuoso
	5. Arranque magnético defectuoso	5. Primero verifique si existe algún cable suelto y ajústelo si así fuera. Verifique y cambie (si fuera necesario) el arranque magnético defectuoso
El motor zumba; el motor presenta un gran consumo de amperaje, se dispara una sobrecarga, se dispara el disyuntor o si salta un fusible al iniciarlo	1. Válvula de descarga del presostato defectuosa	1. Drene toda la presión del tanque. Vuelva a encender el compresor sin carga. Si el compresor puede iniciarse, entonces debe verificar la válvula de descarga. Si no se corrige el problema hará fallar al motor y/o a otros componentes eléctricos
	2. Válvula de retención defectuosa – pérdida constante de presión en el tanque	2. Determine si la válvula de retención está funcionando correctamente, la válvula de descarga del presostato debería dejar de silbar luego de apagado el compresor. Si el silbido continúa y existe una pérdida constante de presión en el tanque entonces la válvula de retención no está funcionando correctamente. Cambie la válvula de retención
	3. Conexiones eléctricas sueltas	3. El sistema eléctrico completo debe ser verificado por un electricista certificado. Los cables entrantes y las conexiones eléctricas del compresor deben revisarse. Las conexiones sueltas provocarán funcionamientos defectuosos
	4. Condensador de arranque defectuoso	4. Verifique y cambie (si fuera necesario) el condensador de arranque defectuoso
	5. Problema de la válvula o junta rota	5. Verifique la junta y cámbiela si fuera necesario. Otros síntomas tienen lugar cuando una válvula no está sellando o cuando se rompió una junta como por ejemplo un mayor consumo de amperaje lo cual puede dispara el disyuntor
El compresor funciona pero acumula presión lentamente	1. Pérdida de aire	1. Revise el sistema completo en busca de pérdidas, incluyendo la unidad del compresor y cualquier tubería conectada al compresor
	2. Filtro de aire sucio	2. Se deben cambiar los filtros de aire regularmente basándose en el uso y en el entorno. Un filtro sucio puede parecer limpio. Cambie los filtros a menudo
	3. Problema de la válvula o junta rota	3. Verifique la junta y cámbiela si fuera necesario. Otros síntomas tienen lugar cuando una válvula no está sellando o cuando se rompió una junta como por ejemplo un mayor consumo de amperaje lo cual puede dispara el disyuntor
	4. Tanque rajado	4. Cambie el tanque. La unidad no debe ponerse en funcionamiento bajo ninguna condición. Los tanques no pueden soldarse ni emparcharse

Continúa en la página siguiente

GUÍA DE DIAGNÓSTICO DE PROBLEMAS PARA UNIDADES EN SERVICIO POR UN PERÍODO DE TIEMPO (CONTINUACIÓN)

Síntoma	Causa(s) Posible(s)	Medida Correctiva
La válvula de seguridad intermedia salta cuando la unidad está en funcionamiento	<ol style="list-style-type: none"> Válvula o junta desgastado Baja torsión de los pernos de cabezal Válvula de seguridad intermedia defectuosa 	<ol style="list-style-type: none"> Compruebe y sustituya la válvula o las juntas según sea necesario Verifique y vuelva a ajustar los pernos de cabezal hasta la torsión especificada Cambie la válvula de seguridad intermedia. Bajo ninguna circunstancia enchufe el puerto de la válvula de seguridad
Respirador de salida del aceite	<ol style="list-style-type: none"> Anillos gastados o cilindro rayado El compresor se calienta 	<ol style="list-style-type: none"> Cambie los anillos y/o cambie el cilindro Asegúrese de que el compresor esté funcionando con la rotación correcta. El compresor debe estar limpio y en un área con buena ventilación. El aceite debe cambiarse en intervalos regulares según las especificaciones mencionadas en el manual. Se debe cambiar el filtro cuando se ensucie
Aceite lechoso en la caja del cigüeñal	<ol style="list-style-type: none"> Poco uso del compresor, el agua se condensa en la caja del cigüeñal Tipo de aceite incorrecto Entorno inadecuado Rotación incorrecta Leve pérdida de la válvula de retención del tanque 	<ol style="list-style-type: none"> Haga funcionar el compresor de continuo durante 1 hora. El calor generado durante este período de funcionamiento evaporará la humedad del aceite No utilice aceite de tipo automotriz SAE-30. Usar el aceite incorrecto puede causar varios problemas con la bomba y anular la garantía. Use solamente los aceites recomendados en el manual de funcionamiento La unidad no debe ser instalada en un área con poca ventilación ni debe ser expuesta a condiciones extremas de frío o calor. El rango normal de funcionamiento debe ser de entre 32 °F y 100 °F (0 °C a 37,7 °C) Verifique para asegurarse de que el compresor esté funcionando en la dirección de la flecha del volante. El flujo de aire debe ser tal que el volante dirija el aire a través del cabezal de la bomba. Si se pone de pie en frente del compresor (el lado que no tiene el protector de la correa) el aire debe fluir de atrás hacia adelante El aire se enfría y se condensa, luego vuelve a gotear en la bomba. Drenar el tanque luego del uso normalmente solucionará esta situación
El presostato libera aire continuamente del la válvula de descarga.	Válvula de retención defectuosa	Cambie la válvula de retención.
El presostato no libera aire cuando se apaga el compresor	La válvula de descarga del presostato no está funcionando correctamente	Drene toda la presión del tanque. Vuelva a encender el compresor sin carga. Si el compresor puede iniciarse, entonces debe verificar la válvula de descarga. Si no se corrige el problema hará fallar al motor y/o a otros componentes eléctricos
El compresor no se apaga	<ol style="list-style-type: none"> Presostato defectuoso Válvula de seguridad defectuosa 	<ol style="list-style-type: none"> Reemplace el presostato Asegúrese de que el manómetro esté leyendo correctamente y si fuera necesario reemplace la válvula de seguridad del tanque

Continúa en la página siguiente

GUÍA DE DIAGNÓSTICO DE PROBLEMAS PARA UNIDADES EN SERVICIO POR UN PERÍODO DE TIEMPO (CONTINUACIÓN)

Sintoma	Causa(s) Posible(s)	Medida Correctiva
La unidad vibra excesivamente	1. Sujetadores flojos	1. Esto incluye los pernos de montaje de la bomba, el motor, el protector de la correa, el arranque magnético, etc. Como parte del calendario de mantenimiento de rutina verifique que no existan sujetadores flojos. Ajuste todos los sujetadores flojos
	2. Polea floja, correa floja o poleas desalineadas.	2. Es posible que con el tiempo sea necesario ajustar la polea y la correa. Es posible que sea necesario volver a alinear las poleas para asegurar un desgaste adecuado de la correa y una menor vibración. Las mismas deben ser verificadas como parte del mantenimiento habitual
	3. Bomba defectuosa	3. Una bomba defectuosa implica una bomba que golpetea o hace ruidos que no son normales al diseño de la bomba. Una gran cantidad de aceite saliendo del respirador indica desgaste del anillo o del cilindro. Un bajo rendimiento de la bomba podría indicar problemas de válvula. Existen numerosos síntomas asociados con una bomba defectuosa. Deberá evaluarse la bomba
Agua en el aire de descarga	1. Clima caluroso y húmedo	1. Durante clima caluroso y húmedo es normal que se acumule agua en el tanque del compresor. Esto es normal y requiere que el tanque se drene frecuentemente. Recomendamos el uso de un drenaje automático junto con filtros y secadoras si esto fuere un problema
	2. Agua acumulada en el tanque	2. Drenar el agua del tanque evita la corrosión del tanque y el desgaste de la herramienta neumática. Se recomienda el uso de un drenaje automático junto con los filtros y secadoras para evitar que el agua ingrese a la salida del compresor
Aceite en el aire de descarga	1. Filtro de entrada limitado	1. Se debe cambiar el filtro frecuentemente para evitar posibles problemas y para hacer que el funcionamiento del compresor sea eficiente. En la entrada del compresor se crea un vacío, el cual causa un gran consumo de aceite llevando el aceite a través de los anillos. También existe la posibilidad de que el medio de filtro se haya destruido, permitiendo que los contaminantes ingresen por la entrada y causen problemas de desgaste
	2. Tipo de aceite incorrecto	2. No utilice aceite de tipo automotriz SAE-30. Usar el aceite incorrecto puede causar varios problemas con la bomba y anular la garantía. Use solamente los aceites recomendados en el manual de funcionamiento
	3. Anillos gastados o cilindro rayado	3. Cambie los anillos y/o cambie el cilindro
	4. El compresor se calienta	4. Asegúrese de que el compresor esté funcionando con la rotación correcta. El compresor debe estar limpio y en un área con buena ventilación. El aceite debe cambiarse en intervalos regulares según las especificaciones mencionadas en el manual. Se debe cambiar el filtro cuando se ensucie

INSTRUCCIONES DE MANTENIMIENTO E INSPECCIÓN

**⚠ ADVERTENCIA**

Desconecte el cordón eléctrico, amárrelo y aléjelo del tomacorrientes, después libere toda la presión del tanque antes de tratar de instalar el compresor, darle servicio, moverlo de sitio o darle cualquier tipo de mantenimiento.

Para mantener el funcionamiento eficiente del sistema del compresor, chequee el filtro de aire y mida el nivel del aceite antes de cada uso. La válvula de seguridad ASME también se debe chequear a diario (Vea la Figura 12). Hále el anillo de la válvula de seguridad y déjelo que regrese de nuevo en su posición original. Esta válvula automáticamente libera el aire del tanque, si la presión excede el nivel máximo fijado de fábrica. Si hay una fuga de aire después que ha soltado el anillo, o si la válvula está atascada y no la puede activar con el anillo, deberá reemplazar la válvula de seguridad ASME.

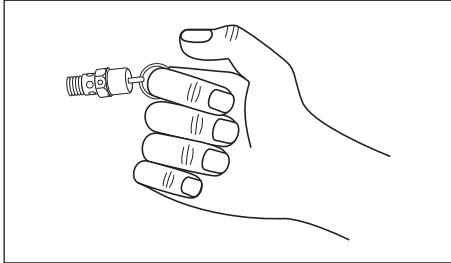


Figura 12 - Válvula de seguridad ASME

⚠ ADVERTENCIA

No modifique la válvula de retención ASME.

Tanque**⚠ ADVERTENCIA**

¡Nunca trate de reparar o modificar el tanque! Si lo suelda, taladra o modifica de cualquier otra manera, el tanque se debilitará y se podría dañar al romperse o explotar. Siempre remplace los tanques desgastados, rotos o dañados.

AVISO

Drene el líquido del tanque diariamente.

El tanque se debe inspeccionar cuidadosamente por lo menos una vez al año. Cerciórese de que no haya ranuras en las soldaduras. De haberlas, libere la presión del tanque inmediatamente y reemplácelo.

Lubricación del Compresor

Vea la sección de Funcionamiento Añádale aceite al cabezal cuando sea necesario. Debe cambiarse el aceite cada tres meses o después de cada 500 horas de operación; lo que ocurra primero.

Si el compresor se utiliza bajo condiciones húmedas por períodos cortos, la humedad se condensará en la caja del cigüeñal y ocasionará que el aceite luzca cremoso. El aceite contaminado por el agua no le proveerá la lubricación adecuada y lo debe cambiar inmediatamente. Si usa aceite contaminado, los cojinetes, pistones, cilindros y anillos se dañarán y estos daños no están cubiertos por la garantía. Para evitar la condensación del agua en el aceite, haga funcionar periódicamente el compresor con una presión de tanque cercana a 150 psi para compresores de dos fases o de 120 psi para compresores de una sola fase abriendo la válvula de purga o una válvula de aire conectada al tanque o la manguera. Haga funcionar la bomba durante una hora continua al menos una vez a la semana o con más frecuencia si vuelve a ocurrir la condensación.

IMPORTANTE: Cámbiele el aceite después de 50 horas de operación.

Filtro de Aire

Nunca utilice el cabezal del compresor sin instalarle el filtro de la entrada de aire o con un filtro obstruido. El elemento del filtro de aire debe verificarse mensualmente (ver Figura 13). Si utiliza el compresor con el filtro sucio, podría aumentar el consumo de aceite y la contaminación con aceite del aire expulsado. Si el filtro de aire está sucio, debe reemplazarse.



Figura 13

INSTRUCCIONES DE MANTENIMIENTO E INSPECCIÓN (CONTINUACIÓN)

Interenfriador

⚠ PRECAUCIÓN Las altas del sistema de enfriamiento interno son afiladas, use siempre guantes y tenga mucho cuidado cuando vaya a limpiar o trabajar cerca de ellas.

Semanalmente, chequee el sistema de enfriamiento para cerciorarse de que todas las conexiones estén bien apretadas. Limpie toda la suciedad, polvo y otras acumulaciones de las aletas del interrefrigerador.

Componentes

Desconecte la corriente y limpie el cabezal del cilindro, el motor, las paletas del ventilador, las líneas de aire, el interrefrigerador y el tanque mensualmente.

Correas

⚠ ADVERTENCIA Apague el compresor, cerciórese de que el interruptor no se pueda activar y después libere la presión del tanque, para evitar que la unidad se mueva sin previo aviso.

Chequee la tensión de las bandas cada 3 meses. Ajuste la tensión de las bandas para permitir una deflexión de 0,9 a 1,2 cm (3/8 inch - 1/2 inch) al ejercer una presión normal con el dedo. Igualmente, debe alinear las bandas usando como referencia un objeto recto que toque el volante y dos puntos del borde a ambos lados del volante. Las bandas deben estar paralelas a esta línea recta de referencia (vea la Figura 14). Las distancias A, B y C deben ser iguales para asegurar que las bandas estén alineadas adecuadamente. Las ranuras en la base le permiten mover el motor, en ambas direcciones, para ajustar la tensión de las bandas.

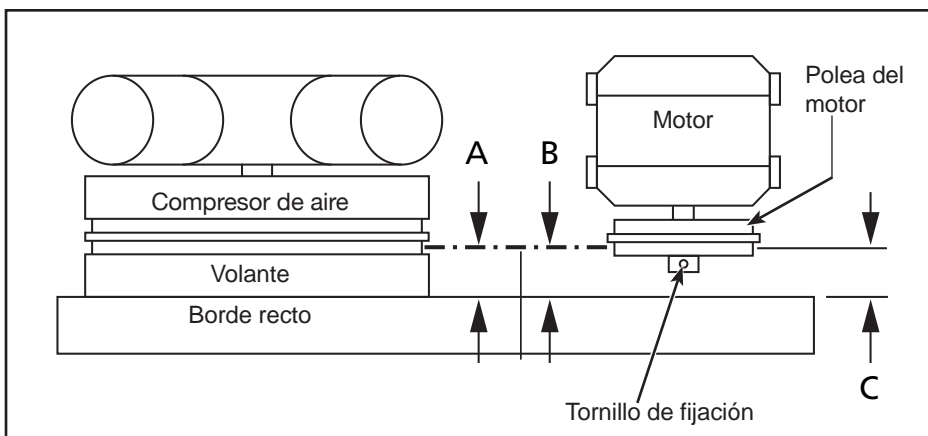
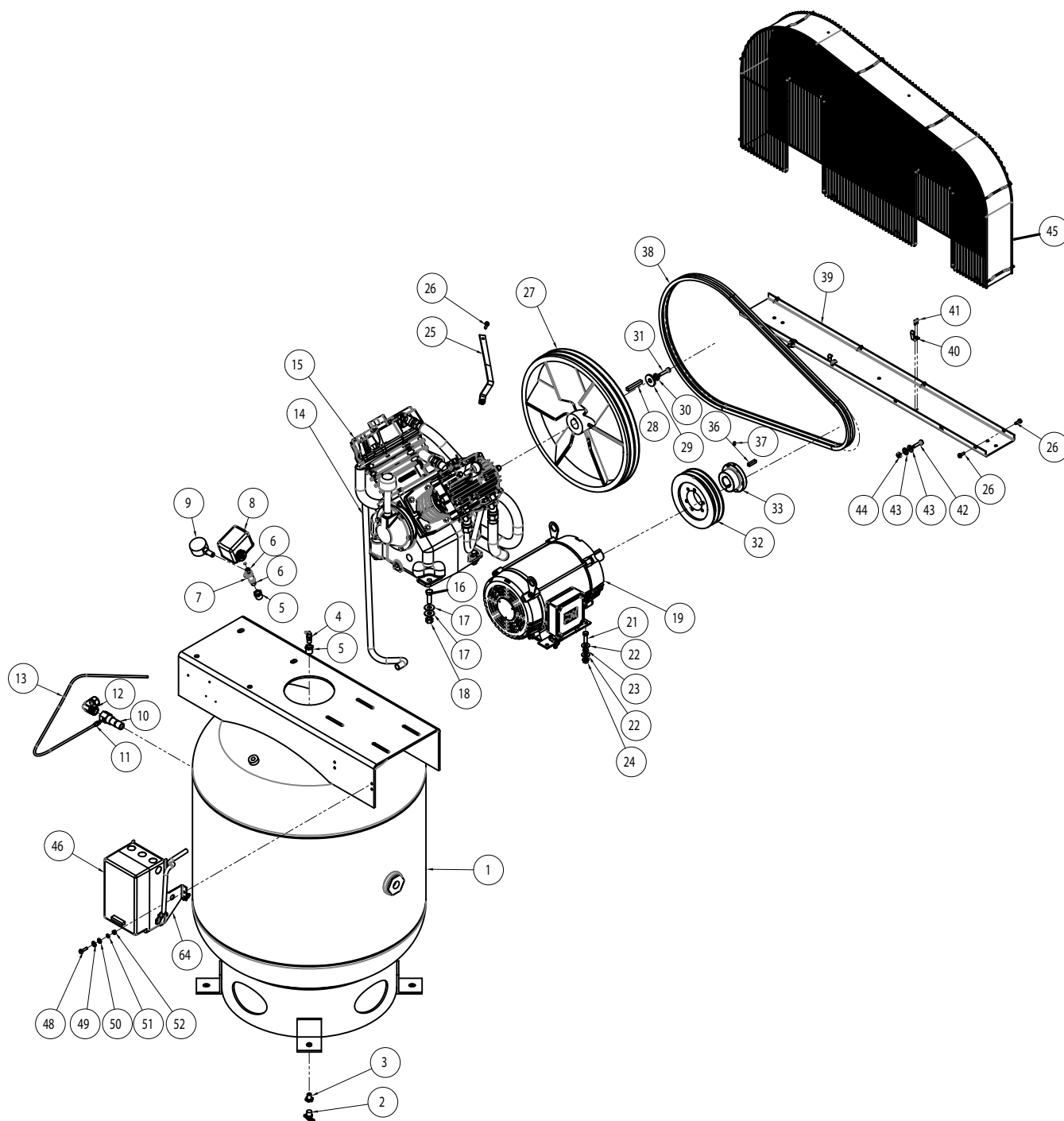


Figura 14 - Vista superior

Programa de Mantenimiento

Operación	Diariamente	Mensualmente	Trimestralmente
Chequee la válvula de seguridad	●		
Drene el tanque (Vea la Figuras 10 y 11)	●		
Mida el nivel de aceite	●		
Limpie o cambie el filtro de aire		●	
Chequee el sistema de enfriamiento interno		●	
Limpie los componentes		●	
Chequee la tensión de las bandas			●
Cambie el aceite (Vea la Figura 8)			●



**Para Obtener Partes de Reparación
en México llame al 001-800-527-2331
en EE.UU. llame al 1-800-Grainger**

24 horas al día, 365 días al año

Por favor proporcione la siguiente información:

- Número de modelo
- Número de serie (si lo tiene)
- Descripción de la parte y número que le corresponde en la lista de partes

LISTA DE PARTES DE REPARACION PARA LOS MODELO 35WC66

No. de Ref.	Descripción	Número de Parte:	Cant.
1	10 HP 90 GALONES	AR028400CG	1
2	VÁLVULA DE PURGA 3/8	ST127700AV	1
3	CASQUILLO HEXAGONAL REDUCTOR DE TUBERÍA 0.375 DE 0.5 DE	ST151200AV	1
4	VÁLVULA DE SEGURIDAD 200 PSI	V-209000AV	1
5	CASQUILLO HEXAGONAL REDUCTOR DE TUBERÍA 0.25 DE 0.5 DE	ST071428AV	2
6	NIPLE DE ACERO MACHO-MACHO PARA CONEXIÓN CON MANGUERA 1/4-18 NPT	HF002404AV	2
7	T 1/4 NPT	ST049900AV	1
8	INTERRUPTOR DE PRESIÓN	CW207561AV	1
9	MEDIDOR	GA031900AV	1
10	VÁLVULA DE RETENCIÓN	CV003205AV	1
11	CONEXIÓN AVELLANADA RECTA 1/4TX1/8P	ST011701AV	1
12	CODO DE TUBERÍA 3/4 NPT	ST072231AV	1
13	TUBO DE DESCARGA	TF400600AP	1
14	TUBO DE ESCAPE	CE002600AP	1
15	BOMBA DE DOS FASES	5Z405	1
16	TORNILLOS DE CABEZA HEXAGONAL 1/2-13 1.5 LONG. ACERO-ZINC CLARO-GR2	†	4
17	ARANDELA-7/16-W-DI 0.5 DE 1.25-ZINC CLARO	ST070916AV	8
18	TUERCA HEXAGONAL 1/2-13 -ZINC	†	4
19	MOTOR WEG 10 HP	MC602200AV	1
20	EMPALME PARA CABLES	ST073008AV	3
21	TORNILLOS DE CABEZA HEXAGONAL 3/8-16 1.25 LONG. ACERO-ZINC CLARO-GR2	ST070638AV	4
22	ARANDELA-3/8-W-DI 0.438 DE 1-ZINC CLARO	ST070914AV	8
23	ARANDELA CON DIENTES EXTERNOS	ST146800AV	1
24	TUERCA DE BRIDA DE 3/8"-16	ST033500AV	4
25	SOPORTE DE PROTECTOR DE BANDAS	TX034100KK	1
26	TORNILLO AUTORROSCANTE HEXAGONAL #1/4-20	ST074415AV	8
27	VOLANTE	TX034800AV	1
28	LLAVE DE VOLANTE	KE001310AV	1
29	ARANDELA	TX034600AV	1
30	ARANDELA-1/2-DI 0.509 DE 0.873-ZINC MECÁNICO	†	1
31	TORNILLOS DE CABEZA HEXAGONAL 5/16-18 1.5 LONG. ACERO-ZINC CLARO-GR2	ST070629AV	1
32	POLEA	PU203300AV	1
33	CASQUILLO SK 1 3/8 - 5/16	PU203500AV	1
34	ARANDELA DE BLOQUEO PARA CASQUILLO DE POLEA	--	6
35	TORNILLO DE CASQUILLO DE POLEA	--	6
36	LLAVE DE POLEA	--	1
37	JUEGO DE TORNILLOS	--	1
38	BANDA EN V B82	BT011600AV	2
39	BANDEJA DE PROTECTOR DE BANDAS	TR001901KK	1
40	RETENEDORES DE PROTECTOR DE BANDAS	TX033000AV	2
41	TORNILLO ROSCANTE #8-.5-ZINC	ST073224AV	4
42	TORNILLOS DE CABEZA HEXAGONAL 5/16-18 1.25 LONG. ACERO-ZINC CLARO-GR2	ST012800AV	2
43	ARANDELA-5/16-W-DI 0.375 DE 0.875-ZINC CLARO	ST011200AV	4
44	TUERCA CON ALA DE 5/16-18	ST146001AV	2
45	PROTECTOR DE BANDAS	TR001800AV	1
46	ARRANCADOR HORIZONTAL 10HP TRIFÁSICO 230V	SA001200AJ	1
47	PLACA DE MONTAJE PARA ARRANCADOR MAGNÉTICO	JQ150800AV	1
48	TORNILLOS DE CABEZA HEXAGONAL 1/4-20 1 LONG. ACERO AL CARBONO-GR2	ST019800AV	4
49	ARANDELA CON DIENTES EXTERNOS	ST146800AV	1
50	ARANDELA-1/4-N-DI 0.281 DE 0.625-ZINC CLARO	ST070910AV	4
51	ARANDELA-1/4-DI 0.255 DE 0.489-ZINC MECÁNICO	ST071023AV	4
52	TUERCA HEXAGONAL 1/4-20 - ZINC	ST070711AV	4
--	NO DISPONIBLE		
†	DISPONIBLE EN FERRETERÍAS LOCALES		

PARA COMENZAR

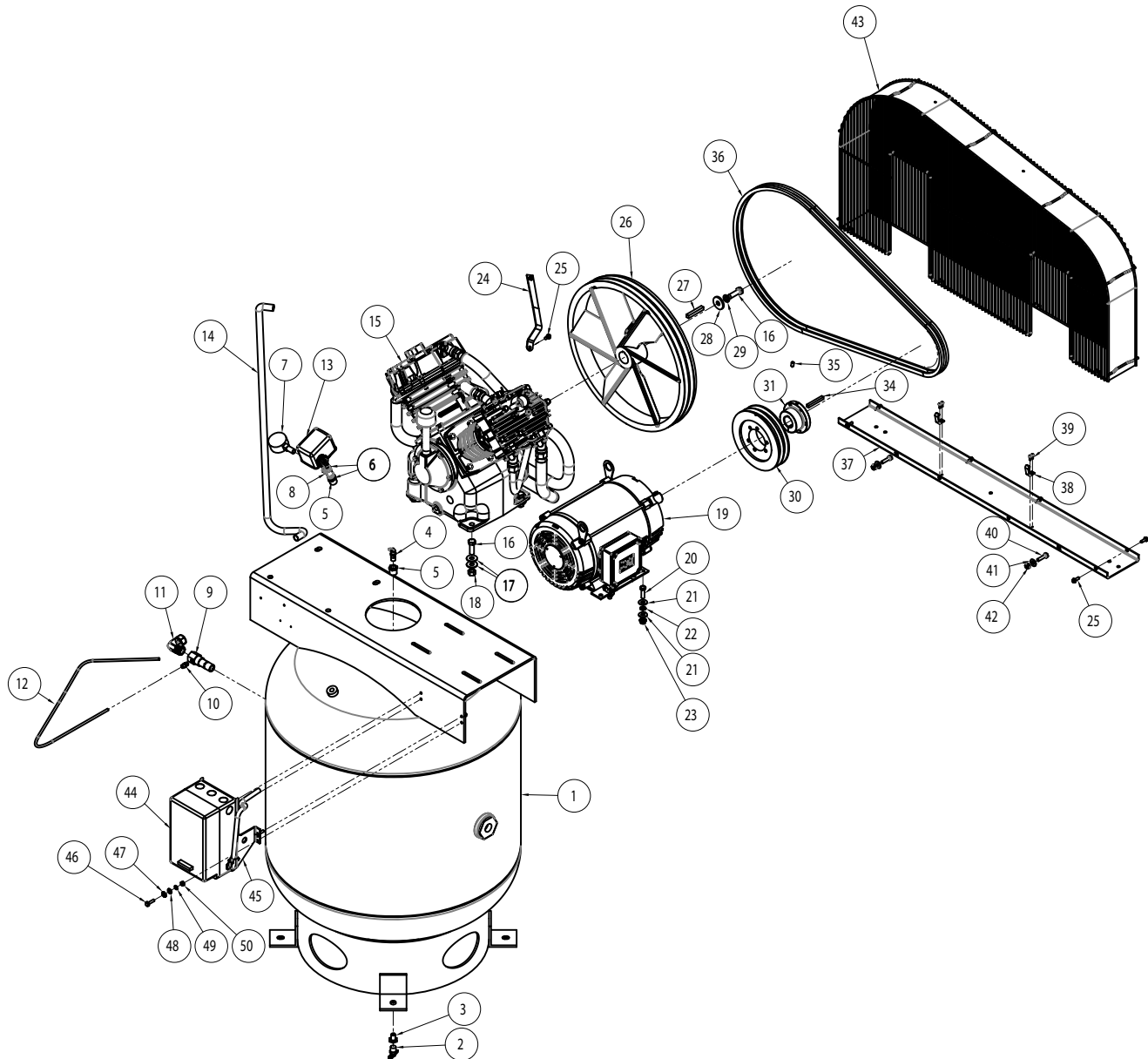
SEGURIDAD /
ESPECIFICACIONES

MONTAJE / INSTALACION

OPERACION

IDENTIFICACION
DE PROBLEMAS

MANTENIMIENTO
/ REPARACION



**Para Obtener Partes de Reparación
en México llame al 001-800-527-2331
en EE.UU. llame al 1-800-Grainger**

24 horas al día, 365 días al año

Por favor proporcione la siguiente información:

- Número de modelo
- Número de serie (si lo tiene)
- Descripción de la parte y número que le corresponde en la lista de partes

LISTA DE PARTES DE REPARACION PARA LOS MODELO 35WC67

No. de Ref.	Descripción	Número de Parte:	Cant.
1	10 HP 90 GALONES	AR028400CG	1
2	VÁLVULA DE PURGA 3/8	ST127700AV	1
3	CASQUILLO HEXAGONAL REDUCTOR DE TUBERÍA 0.375 DE 0.5 DE	ST151200AV	1
4	VÁLVULA DE SEGURIDAD 200 PSI	V-209000AV	1
5	CASQUILLO HEXAGONAL REDUCTOR DE TUBERÍA 0.25 DE 0.5 DE	ST071428AV	2
6	NIPLE DE ACERO MACHO-MACHO PARA CONEXIÓN CON MANGUERA 1/4-18 NPT	HF002404AV	2
7	MEDIDOR	GA031900AV	1
8	T 1/4 NPT	ST049900AV	1
9	VÁLVULA DE RETENCIÓN	CV003205AV	1
10	CONECTOR COMP. 1/4"	ST011701AV	1
11	CODO DE TUBERÍA 3/4 NPT	ST072231AV	1
12	TUBO DE DESCARGA	TF400600AP	1
13	INTERRUPTOR DE PRESIÓN	CW207561AV	1
14	TUBO DE ESCAPE	CE002600AP	1
15	BOMBA DE DOS FASES	5Z405	1
16	TORNILLOS DE CABEZA HEXAGONAL 1/2-13 1.5 LONG. ACERO-ZINC CLARO-GR2	+	5
17	ARANDELA-7/16-W-DI 0.5 DE 1.25-ZINC CLARO	ST070916AV	8
18	TUERCA HEXAGONAL 1/2-13 -ZINC	+	4
19	MOTOR WEG 10HP TRIFÁSICO	MC033700AV	1
20	TORNILLOS DE CABEZA HEXAGONAL 3/8-16 1.25 LONG. ACERO-ZINC CLARO-GR2	ST070638AV	4
21	ARANDELA-3/8-W-DI 0.438 DE 1-ZINC CLARO	ST070914AV	8
22	ARANDELA CON DIENTES EXTERNOS	ST146800AV	1
23	TUERCA DE BRIDA DE 3/8"-16	ST033500AV	4
24	SOPORTE DE PROTECTOR DE BANDAS	TX034100KK	1
25	TORNILLO AUTORROSCANTE HEXAGONAL #1/4-20	ST074415AV	8
26	VOLANTE	TX034800AV	1
27	LLAVE DE VOLANTE	KE001310AV	1
28	ARANDELA	TX034600AV	1
29	ARANDELA-1/2-DI 0.509 DE 0.873-ZINC MECÁNICO	+	1
30	POLEA	PU203300AV	1
31	CASQUILLO SK 1 3/8 - 5/16	PU203500AV	1
32	ARANDELA DE BLOQUEO PARA CASQUILLO DE POLEA	--	6
33	TORNILLO DE CASQUILLO DE POLEA	--	6
34	LLAVE DE POLEA	--	1
35	JUEGO DE TORNILLOS	--	1
36	BANDA EN V B-82	BT011600AV	1
37	BANDEJA DE PROTECTOR DE BANDAS	TR001901KK	1
38	RETENEDORES DE PROTECTOR DE BANDAS	TX033000AV	2
39	TORNILLO ROSCANTE #8-.5-ZINC	ST073224AV	4
40	TORNILLOS DE CABEZA HEXAGONAL 5/16-18 1.25 LONG. ACERO-ZINC CLARO-GR2	ST012800AV	2
41	ARANDELA-5/16-W-DI 0.375 DE 0.875-ZINC CLARO	ST011200AV	2
42	TUERCA CON ALA DE 5/16-18	ST146001AV	2
43	PROTECTOR DE BANDAS	TR001800AV	1
44	ARRANCADOR HORIZONTAL 10HP TRIFÁSICO 230V	SA001200AJ	1
45	PLACA DE MONTAJE PARA ARRANCADOR MAGNÉTICO	JQ150800AV	1
46	TORNILLOS DE CABEZA HEXAGONAL 1/4-20 1 LONG. ACERO AL CARBONO-GR2	ST019800AV	4
47	ARANDELA CON DIENTES EXTERNOS	ST146800AV	1
48	ARANDELA-1/4-N-DI 0.281 DE 0.625-ZINC CLARO	ST070910AV	4
49	ARANDELA-1/4-DI 0.255 DE 0.489-ZINC MECÁNICO	ST071023AV	4
50	TUERCA HEXAGONAL 1/4-20 - ZINC	ST070711AV	4
--	NO DISPONIBLE		
+	DISPONIBLE EN FERRETERÍAS LOCALES		

PARA COMENZAR

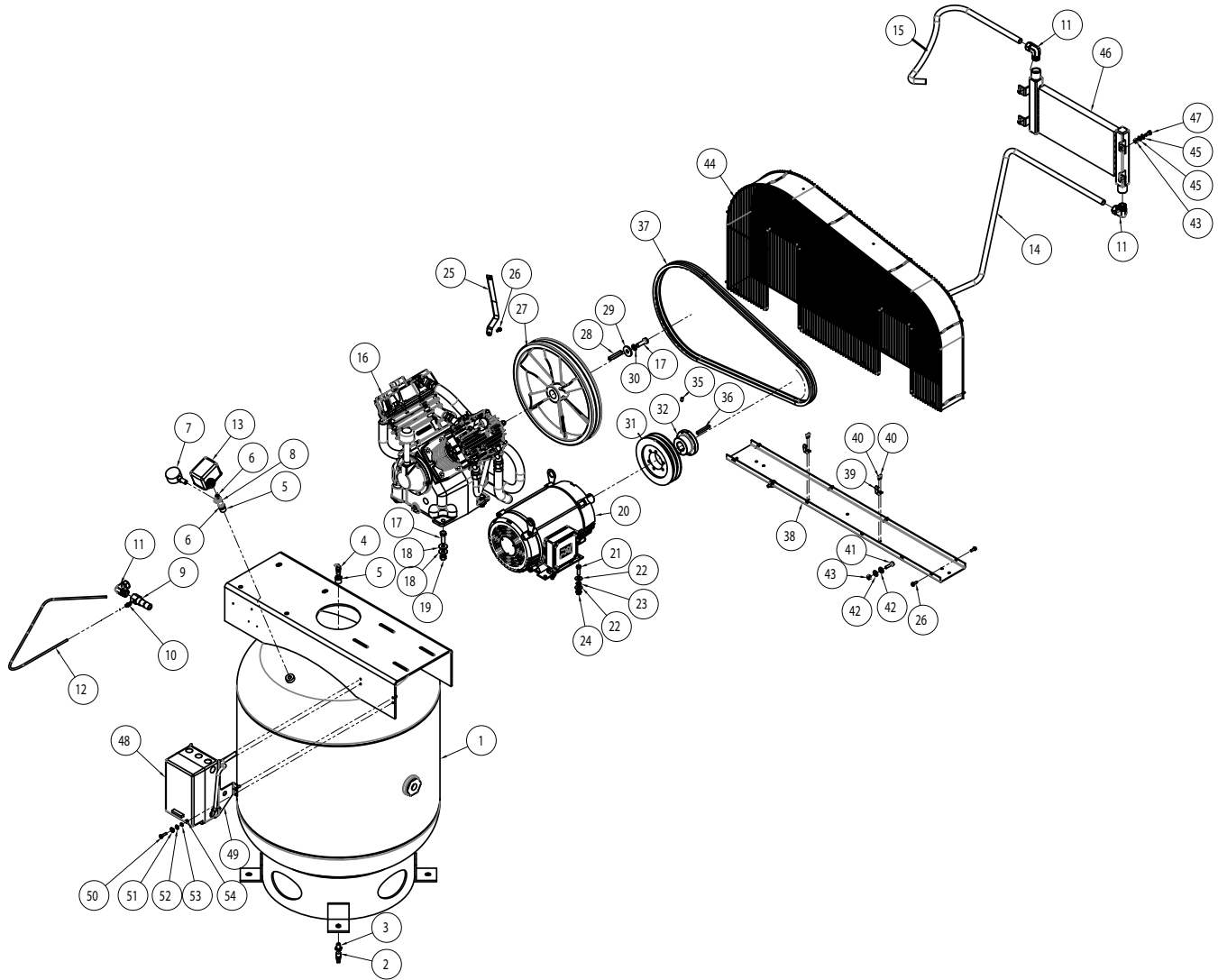
SEGURIDAD /
ESPECIFICACIONES

MONTAJE / INSTALACION

OPERACION

IDENTIFICACION
DE PROBLEMAS

MANTENIMIENTO
/REPARACION



No. de Ref.	Descripción	Número de Parte:	Cant.
1	10 HP 90 GALONES	AR028400CG	1
2	VÁLVULA DE PURGA 3/8	ST127700AV	1
3	CASQUILLO HEXAGONAL REDUCTOR DE TUBERÍA 0.375 DE 0.5 DE	ST151200AV	1
4	VÁLVULA DE SEGURIDAD 200 PSI	V-209000AV	1
5	CASQUILLO HEXAGONAL REDUCTOR DE TUBERÍA 0.25 DE 0.5 DE	ST071428AV	2
6	NIPLE DE ACERO MACHO-MACHO PARA CONEXIÓN CON MANGUERA 1/4-18 NPT	HF002404AV	2
7	MEDIDOR	GA031900AV	1
8	T 1/4 NPT	ST049900AV	1
9	VÁLVULA DE RETENCIÓN	CV003205AV	1
10	CONEXIÓN AVELLANADA RECTA 1/4TX1/8P	ST126210AV	1

Para Obtener Partes de Reparación en México llame al 001-800-527-2331 en EE.UU. llame al 1-800-Grainger

24 horas al día, 365 días al año

Por favor proporcione la siguiente información:

- Número de modelo
- Número de serie (si lo tiene)
- Descripción de la parte y número que le corresponde en la lista de partes

LISTA DE PARTES DE REPARACION PARA LOS MODELO 35WC68

No. de Ref.	Descripción	Número de Parte:	Cant.
11	CODO DE TUBERÍA 3/4 NPT	ST072231AV	3
12	TUBO DE DESCARGA	TF400600AP	1
13	INTERRUPTOR DE PRESIÓN	CW207561AV	1
14	TUBO DE ESCAPE DE REFRIGERADOR POSTERIOR A TANQUE	CE008700AP	1
15	TUBO DE ESCAPE DE REFRIGERADOR POSTERIOR A BOMBA	CE008600AP	1
16	BOMBA DE DOS FASES	5Z405	1
17	TORNILLOS DE CABEZA HEXAGONAL 1/2-13 1.5 LONG. ACERO-ZINC CLARO-GR2	†	5
18	ARANDELA-7/16-W-DI 0.5 DE 1.25-ZINC CLARO	ST070916AV	8
19	TUERCA HEXAGONAL 1/2-13 -ZINC	†	4
20	MOTOR WEG 10HP TRIFÁSICO	MC033700AV	1
21	TORNILLOS DE CABEZA HEXAGONAL 3/8-16 1.25 LONG. ACERO-ZINC CLARO-GR2	ST070638AV	4
22	ARANDELA-3/8-W-DI 0.438 DE 1-ZINC CLARO	ST070914AV	8
23	ARANDELA CON DIENTES EXTERNOS	ST146800AV	1
24	TUERCA DE BRIDA DE 3/8"-16	ST033500AV	4
25	SOPORTE DE PROTECTOR DE BANDAS	TX034100KK	1
26	TORNILLO AUTORROSCANTE HEXAGONAL #1/4-20	ST074415AV	8
27	VOLANTE DE HIERRO FUNDIDO DE 16"	PU016700AJ	1
28	LLAVE DE VOLANTE	KE001310AV	1
29	ARANDELA	TX034600AV	1
30	ARANDELA-1/2-DI 0.509 DE 0.873-ZINC MECÁNICO	†	1
31	POLEA	PU203300AV	1
32	CASQUILLO SK 1 3/8 - 5/16	PU203500AV	1
33	ARANDELA DE BLOQUEO PARA CASQUILLO DE POLEA	--	6
34	ARANDELA DE BLOQUEO PARA CASQUILLO DE POLEA	--	6
35	JUEGO DE TORNILLOS	--	1
36	LLAVE DE POLEA	--	1
37	BANDA EN V B82	BT011600AV	2
38	BANDEJA DE PROTECTOR DE BANDAS	TR001901KK	1
39	RETENEDORES DE PROTECTOR DE BANDAS	TX033000AV	2
40	TORNILLO ROSCANTE #8-.5-ZINC	ST073224AV	4
41	TORNILLOS DE CABEZA HEXAGONAL 5/16-18 1.25 LONG. ACERO-ZINC CLARO-GR2	ST070628AV	2
42	ARANDELA-5/16-W-DI 0.375 DE 0.875-ZINC CLARO	ST070912AV	4
43	TUERCA CON ALA DE 5/16-18	ST146001AV	6
44	PROTECTOR DE BANDAS	TR001800AV	1
45	ARANDELA DE 5/16"	ST011200AV	8
46	PROTECTOR DE BANDAS DE REFRIGERADOR POSTERIOR	CE000300AV	1
47	TORNILLO, 5/16-18 X 3/4 HHD	ST016000AV	4
48	ARRANCADOR HORIZONTAL 10HP TRIFÁSICO 230V	SA001200AJ	1
49	PLACA DE MONTAJE PARA ARRANCADOR MAGNÉTICO	JQ150800AV	1
50	TORNILLOS DE CABEZA HEXAGONAL 1/4-20 1 LONG. ACERO AL CARBONO-GR2	†	4
51	ARANDELA CON DIENTES EXTERNOS	ST146800AV	1
52	ARANDELA-1/4-N-DI 0.281 DE 0.625-ZINC CLARO	ST070910AV	4
53	ARANDELA-1/4-DI 0.255 DE 0.489-ZINC MECÁNICO	ST071023AV	4
54	TUERCA HEXAGONAL 1/4-20 - ZINC	ST070711AV	4
--	NO DISPONIBLE		
†	AVAILABLE AT LOCAL HARDWARE STORE		

PARA COMENZAR

SEGURIDAD /
ESPECIFICACIONES

MONTAJE / INSTALACION

OPERACION

IDENTIFICACION
DE PROBLEMAS

MANTENIMIENTO / REPARACION

GARANTIA LIMITADA DE SPEEDAIRE POR TRES AÑOS

GARANTIA LIMITADA DE SPEEDAIRE POR TRES AÑOS. Dayton Electric Mfg. Co. ("Dayton") le garantiza al usuario original que todos los modelos de los productos Speedaire® tratados en este manual están libres de defectos en la mano de obra o el material, cuando se les somete a uso normal, por un año a partir de la fecha de compra. La bomba del compresor y el filtro de aire son garantizados por tres años a partir de la fecha de compra. Si el producto Speedaire es parte de un juego, sólo la parte defectuosa está sujeta a esta garantía. Cualquier producto o parte que se halle defectuoso, ya sea en el material o en la mano de obra, y sea devuelto (con los costos de envío pagados por adelantado) a un centro de servicio autorizado designado por Dayton o por una entidad designada por Dayton, será reparado o reemplazado (no existe otra posibilidad) por un producto o parte nuevo o reacondicionado de igual uso o se le reembolsará el costo total, según lo determine Dayton o una entidad designada por Dayton, libre de costo. Para obtener información sobre los procedimientos de reclamo cubiertos en la garantía limitada, vea la sección "Servicio de Garantía" que aparece más adelante. Se anulará esta garantía si se detecta evidencia de mal uso, reparación defectuosa, instalación defectuosa, abuso o modificación. Esta garantía no cubre desgaste y ruptura normal de los productos Speedaire o parte de los mismos, o productos o partes de los mismos que se pueden utilizar durante uso normal. Esta garantía limitada les otorga a los compradores derechos legales específicos y también puede usted tener otros derechos que varíen de jurisdicción a jurisdicción.

EXCLUSIÓN DE RESPONSABILIDAD DE LA GARANTÍA Y LÍMITES DE RESPONSABILIDAD RELACIONADOS A TODOS LOS CLIENTES PARA TODOS LOS PRODUCTOS

LÍMITES DE RESPONSABILIDAD. EN LA MEDIDA EN QUE LAS LEYES APLICABLES LO PERMITAN, LA RESPONSABILIDAD DE DAYTON POR LOS DAÑOS EMERGENTES O INCIDENTALES ESTA EXPRESAMENTE EXCLUIDA. LA RESPONSABILIDAD DE DAYTON EXPRESAMENTE ESTA LIMITADA Y NO PUEDE EXCEDER EL PRECIO DE COMPRA PAGADO POR EL ARTICULO.

EXCLUSIÓN DE RESPONSABILIDAD DE LA GARANTÍA. SE HA HECHO UN ESFUERZO DILIGENTE PARA PROPORCIONAR INFORMACION E ILUSTRACIONES APROPIADAS SOBRE LOS PRODUCTOS SPEEDAIRE EN ESTE MANUAL; SIN EMBARGO, ESTA INFORMACION Y LAS ILUSTRACIONES TIENEN COMO UNICO PROPOSITO LA IDENTIFICACION DE LOS PRODUCTOS Y NO EXPRESAN NI IMPLICAN GARANTIA DE QUE LOS PRODUCTOS SPEEDAIRE SEAN VENDIBLES O ADECUADOS PARA UN PROPOSITO EN PARTICULAR NI QUE SE AJUSTAN NECESARIAMENTE A LAS ILUSTRACIONES O DESCRIPCIONES. CON EXCEPCION DE LO QUE SE ESTABLECE A CONTINUACION, DAYTON NO HACE NI AUTORIZA NINGUNA GARANTIA O AFIRMACION DE HECHO, EXPRESA O IMPLICITA, QUE NO SEA ESTIPULADA EN LA "GARANTIA LIMITADA" ANTERIOR.

ADAPTACION DEL PRODUCTO. MUCHAS JURISDICCIONES TIENEN CODIGOS O REGULACIONES SOBRE LA VENTA, EL DISEÑO, LA INSTALACION Y/O EL USO DE PRODUCTOS PARA CIERTAS APLICACIONES; DICHAS LEYES PUEDEN VARIAR DE UN AREA A OTRA. SI BIEN SE TRATA DE QUE LOS PRODUCTOS SPEEDAIRE CUMPLAN CON DICHOS CODIGOS, NO SE PUEDE GARANTIZAR SU CONFORMIDAD Y NO SE PUEDE HACER RESPONSABLE POR LA FORMA EN QUE SE INSTALE O USE SU PRODUCTO. ANTES DE COMPRAR Y USAR EL PRODUCTO, REVISE LA INFORMACION DE SEGURIDAD/ESPECIFICACIONES, Y TODOS LOS CODIGOS Y REGULACIONES NACIONALES Y LOCALES APLICABLES, Y ASEGURESE QUE LOS PRODUCTOS SPEEDAIRE, LA INSTALACION Y EL USO LOS CUMPLAN.

CONSUMIDOR SOLAMENTE. CIERTOS ASPECTOS DE LIMITE DE RESPONSABILIDAD NO SE APLICAN A PRODUCTOS AL CONSUMIDOR; ES DECIR (A) ALGUNAS JURISDICCIONES NO PERMITEN LA EXCLUSIÓN NI LIMITACION DE DAÑOS INCIDENTALES O CONSECUENTES, DE MODO QUE LAS LIMITACIONES O EXCLUSIONES ANTERIORES QUIZAS NO APLIQUEN EN SU CASO; (B) ASIMISMO, ALGUNAS JURISDICCIONES NO PERMITEN LIMITAR EL PLAZO DE UNA GARANTIA IMPLICITA, POR LO TANTO, LA LIMITACION ANTERIOR QUIZAS NO APLIQUE EN SU CASO; Y (C) POR LEY, MIENTRAS LA GARANTIA LIMITADA ESTE VIGENTE NO PODRAN EXCLUIRSE NI LIMITARSE EN MODO ALGUNO NINGUNA GARANTIA IMPLICITA DE COMERCIALIZACION O DE IDONEIDAD PARA UN PROPOSITO EN PARTICULAR APLICABLES A LOS PRODUCTOS AL CONSUMIDOR ADQUIRIDOS POR ESTE.

ESTA GARANTIA LIMITADA APLICA UNICAMENTE A LOS PRODUCTOS SPEEDAIRE COMPRADOS POR COMPRADORES EN LOS ESTADOS UNIDOS PARA ENTREGA EN LOS ESTADOS UNIDOS.

SERVICIO DE GARANTIA

Para obtener un servicio de garantía si compró un producto cubierto directamente de W.W. Grainger, Inc. ("Grainger"), (i) escriba, llame o visite la sucursal local de Grainger donde compró el producto u otra sucursal de Grainger cerca de usted (visite www.grainger.com para obtener una lista de las sucursales); o (ii) comuníquese con Grainger visitando www.grainger.com y haga clic en el enlace "Contact Us" en la parte superior de la página, luego haga clic en enlace "Email us"; o (iii) llame a Servicio al Cliente (libre de cargo) al 1-888-361-8649. Para obtener servicio de garantía si compró el producto cubierto a través de otro distribuidor o minorista, (i), visite www.grainger.com para el Servicio de Garantía; (ii) escriba, llame o visite la sucursal de Grainger cerca de usted; o (iii) llame a Servicio al Cliente (libre de cargo) al 1-888-361-8649. En cualquiera de los casos, necesitará proporcionar, cuando esté disponible, la fecha de compra, el número de factura original, el número de pieza, una descripción del defecto, y cualquier otra información que especifique esta Garantía limitada de Speedaire por tres años. Se le podría solicitar que envíe el producto a su propio coste para que lo inspeccionen. Puede hacer un seguimiento de los avances de las inspecciones y medidas correctivas de la misma forma. El título y el riesgo de pérdida pasa del comprador en el momento de la entrega a la compañía de transporte, por lo que si el producto sufre daños durante el transporte, presente un reclamo a la compañía transportista, no al minorista, Grainger o Dayton. Para información sobre la garantía para compradores y/o entregas fuera de los Estados Unidos, comuníquese con:

Dayton Electric Mfg. Co.,
100 Grainger Parkway, Lake Forest, IL 60045 EE.UU.
o llame al +1-888-361-8649

®

SPEEDAIRE



Compresseurs d'air à deux phases

Modèles 35WC66, 35WC67, 35WC68



SPEEDARTE

LIRE ET CONSERVER CES INSTRUCTIONS. IL FAUT LES LIRE ATTENTIVEMENT AVANT DE COMMENCER À ASSEMBLER, INSTALLER, FAIRE FONCTIONNER OU ENTRETENIR L'APPAREIL DÉCRIT.

POUR SE PROTÉGER ET PROTÉGER AUTRUI, OBSERVER TOUTES LES INFORMATIONS SUR LA SÉCURITÉ. NÉGLIGER D'APPLIQUER CES INSTRUCTIONS PEUT CAUSER DES BLESSURES ET/OU DES DOMMAGES MATÉRIELS! CONSERVER CES INSTRUCTIONS POUR CONSULTATION ULTÉRIEURE.

SE REPORTER AU DOS DE LA PRÉSENTE BROCHURE POUR LES INFORMATIONS CONCERNANT LA GARANTIE DAYTON ET D'AUTRES INFORMATIONS IMPORTANTES.

N° de modèle : _____

N° de série : _____

Date d'achat : _____

Brochure 5S7604 / Imprimée en É.-U.

Version 0 12/2014

© 2014 Dayton Electric Manufacturing Co.

Tous droits réservés

AVANT DE COMMENCER

Introduction

Les compresseurs à air à deux étages Speedaire sont des compresseurs alternatifs lubrifiés à l'huile.

Les modèles de la série Shop Air comprennent :

- Pompe à compression
- Réservoir d'air conforme à l'ASME incluant une soupape de sécurité
- Moteur électrique
- Démarreur
- Manostat

Les modèles de la série Tire and Lube comprennent :

- Pompe à compression
- Réservoir d'air conforme à l'ASME incluant une soupape de sécurité
- Moteur électrique
- Démarreur
- Manostat
- Postrefroidisseur refroidi à l'air
- Drainage automatique du réservoir
- Blocs d'isolation des vibrations
- Vanne d'arrêt

Référence rapide

Huile Recommandée (2 Options)
Huile de compresseur sans détergent à viscosité simple, SAE 30 ISO. Numéro de pièce Grainger 1WG49.
Huile synthétique 10W30 comme Mobil 1®.
Capacité d'huile
3,8 l (4 pintes) [par pompe]

DÉBALLAGE

▲ DANGER

Ne pas soulever ni déplacer le modèle sans équipement convenable et s'assurer que le modèle soit bien fixé à l'appareil de levage. Ne pas soulever le modèle avec les tuyaux ou les refroidisseurs. Ne pas utiliser le modèle pour soulever d'autre équipement qui est attaché au compresseur.

Dès que l'appareil est déballé, l'inspecter attentivement pour tout signe de dommages en transit. Vérifier s'il y a des pièces desserrées, manquantes ou endommagées. Vérifier pour s'assurer que tous les accessoires fournis sont inclus avec l'appareil. Pour toutes questions, pièces endommagées ou manquantes, appeler le 1-888-606-5587 pour le service à la clientèle.

▲ AVERTISSEMENT

Ne pas utiliser un modèle qui a été endommagé pendant le transport, la manipulation ou l'utilisation. Le dommage peut résulter en explosion et peut causer des blessures ou dégâts matériels.

Articles requis - non inclus

- Huile

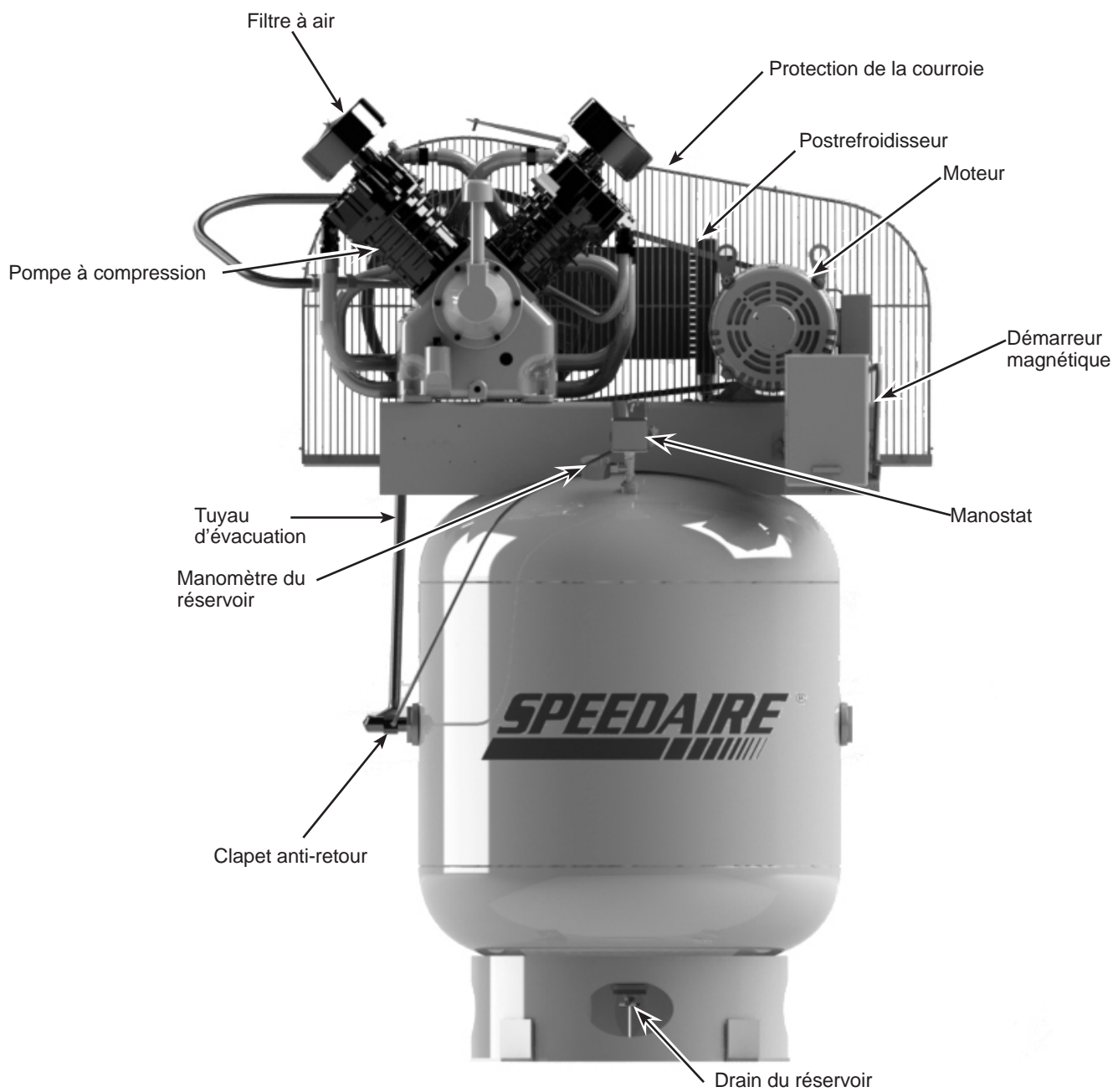


Figure 1 - Compression à deux phases

INSTRUCTIONS GÉNÉRALES DE SÉCURITÉ

Directives De Sécurité

Ce manuel contient de l'information très importante qui est fournie pour la SÉCURITÉ et pour ÉVITER LES PROBLÈMES D'ÉQUIPEMENT. Rechercher les symboles suivants pour cette information.

▲ DANGER

Danger indique une situation dangereuse imminente qui MÈNERA à la mort ou à des blessures graves si elle n'est pas évitée.

▲ AVERTISSEMENT

Avertissement indique une situation potentiellement dangereuse qui, si elle n'est pas évitée, POURRAIT mener à la mort ou à de graves blessures.

▲ ATTENTION

Attention indique une situation potentiellement dangereuse qui, si elle n'est pas évitée, PEUT mener à des blessures mineures ou modérées.

AVIS

Avis indique de l'information importante qui pourrait endommager l'équipement si elle n'est pas respectée.

IMPORTANT : Information qui exige une attention spéciale.

Symboles De Sécurité

Les symboles de sécurité suivants apparaissent dans l'ensemble de ce manuel pour vous aviser des dangers et précautions importants de sécurité.



Porter une protection oculaire et un masque



Lire le manuel d'abord



Risque d'incendie



Risque de pièces mobiles



Risque de pièces chaudes



Risque d'explosion



Risques de fumées



Risque de pression



Risque de choc

Proposition 65 de Californie

▲ AVERTISSEMENT

Ce produit ou son cordon peuvent contenir des produits chimiques qui, de l'avis de l'État de Californie, causent le cancer et des anomalies congénitales ou autres problèmes de reproduction. Lavez-vous les mains après la manipulation.



▲ AVERTISSEMENT

Vous pouvez créer de la poussière en coupant, ponçant, perçant ou meulant les matériaux tels que le bois, la peinture, le métal, le béton, le ciment ou autre maçonnerie. Cette poussière contient souvent des produits chimiques reconnus pour causer le cancer, les déformations congénitales.

Importantes Instructions de Sécurité

S'il vous plaît lire et conserver ces instructions. Lire attentivement avant de monter, installer, utiliser ou de procéder à l'entretien du produit décrit. Se protéger ainsi que les autres en observant toutes les instructions de sécurité, sinon, il y a risque de blessure et/ou dégâts matériels! Conserver ces instructions comme référence.

Ce manuel contient des informations concernant la sécurité, le fonctionnement et l'entretien. Si vous avez des questions, appeler le 1-888-606-5587 pour le service à la clientèle.

Puisque le compresseur d'air et les autres pièces détachées (pompe, pistolets, filtres, graisseurs, tuyaux, etc.) font partie d'un système de haute pression, il est nécessaire de suivre les précautions suivantes:

▲ DANGER

AVERTISSEMENT D'AIR RESPIRABLE

Ce compresseur/pompe n'est pas équipé pour et ne devrait pas être utilisé "comme soi" pour fournir de l'air respirable. Pour les applications d'air pour la consommation humaine, il est nécessaire d'équiper le compresseur d'air/pompe avec de l'équipement de sécurité en canalisation et d'alarme. Cet équipement additionnel est nécessaire pour filtrer et purifier l'air afin d'atteindre les spécifications minimales pour la respiration Grade D décrite dans le Compressed Gas Association Commodity Specification G 7.1, OSHA 29 CFR 1910. 134, and/or Canadian Standards Associations (CSA).

DÉNÉGATION DES GARANTIES

Si le compresseur est utilisé pour les applications d'air respirable et l'équipement de sécurité en canalisation et d'alarme n'est pas utilisé simultanément, les garanties en existence seront annulées, et le fabricant nie toute responsabilité pour n'importe quelle perte, blessure ou dommage.

Généralités sur la Sécurité

- Lire attentivement tous manuels compris avec ce produit. Bien se familiariser avec les commandes et l'utilisation correcte de l'équipement.
- Suivre tous les codes d'électricité et de sécurité locaux ainsi que: National Electrical Codes (NEC) et Occupational Safety and Health Act (OSHA) des É.-U.
- Seules les personnes bien familiarisées avec ces règles d'utilisation doivent être autorisées à se servir du compresseur.
- Garder les visiteurs à l'écart de/et NE JAMAIS permettre les enfants dans l'endroit de travail.
- Utiliser des lunettes de sécurité et la protection auditive pendant l'utilisation du modèle.
- Ne pas se tenir debout sur/ou utiliser le modèle comme une prise.
- Inspecter le système d'air comprimé et pièces détachées électriques pour toute indication de dommage, détérioration, faiblesse ou fuites avant chaque utilisation. Réparer ou remplacer toutes pièces défectueuses avant l'utilisation.
- Inspecter le degré de serrage de toutes attaches par intervalles régulières.



▲ AVERTISSEMENT *Les moteurs, l'équipement et les commandes électriques peuvent causer des arcs électriques qui peuvent allumer un gaz ou une vapeur inflammable. Ne jamais utiliser ou réparer le modèle près d'un gaz ou d'une vapeur inflammable. Ne jamais entreposer les liquides ou gaz inflammables près du compresseur.*



▲ AVERTISSEMENT *Ne jamais utiliser un compresseur sans carter de courroie. Ce modèle peut se démarrer sans avis. Le contact avec les pièces mobiles peut causer des blessures personnelles ou dégâts matériels.*



▲ ATTENTION *Les pièces du compresseur peuvent être chaudes même si le modèle n'est pas en marche.*

- Ne pas porter les vêtements flottants ni la bijouterie qui peuvent se prendre dans les pièces mobiles du modèle.
- Garder les doigts à l'écart d'un compresseur qui est en marche; les pièces mobiles et chaudes peuvent causer des blessures et/ou brûlures.
- Si le compresseur vibre anormalement, ARRÊTER le moteur et l'inspecter immédiatement. La vibration est généralement une indication d'un problème.
- Pour réduire le risque d'incendie, garder l'extérieur du moteur libre d'huile, de solvant ou de graisse excessive.

▲ AVERTISSEMENT *Pour ce compresseur, c'est indispensable d'installer une soupape de décharge selon les normes de sûreté ASME avec un réglage non supérieur à la Pression Maximale de Service Permise (MAWP) sur la tuyauterie ou le réservoir. La soupape de sûreté ASME doit avoir une classification de débit et de pression suffisante afin de protéger les pièces détachées sous pression contre l'éclatement. La soupape de sûreté dans le refroidisseur ne fournit pas de protection pour le système.*

Généralités sur la Sécurité (Suite)



⚠ AVERTISSEMENT *La pression maximale de service est 1 207 kPa (175 psi) pour les compresseurs à deux étages. Ne pas utiliser avec des manostats ou des soupapes qui sont réglés à plus que 1 207 kPa (175 psi) [deux étages].*

- Ne jamais essayer d'ajuster la soupape de sûreté ASME. Garder la soupape de sûreté libre de peinture et autres accumulations.

⚠ AVERTISSEMENT *Ne jamais essayer de réparer ni de modifier un réservoir! Le soudage, le perçage ou autre modifications peuvent affaiblir le réservoir et peut résulter en dommage de rupture ou d'explosion. Toujours remplacer un réservoir usé, fendu ou endommagé.*

AVIS

Purger le liquide du réservoir quotidiennement.

- L'accumulation d'humidité cause la rouille qui peut affaiblir le réservoir. Purger le réservoir quotidiennement et l'inspecter périodiquement pour la rouille et la corrosion ou autre dommage.
- L'air mouvante peut agiter la poussière et le débris qui peut être dangereux. Lâcher l'air lentement en purgeant l'humidité ou pendant la dépressurisation du système de compresseur.

Précautions de Pulvérisation



⚠ AVERTISSEMENT *Ne pas pulvériser les matériaux inflammables dans un endroit de flamme ouverte ni près d'une source d'ignition y compris le compresseur.*

- Ne pas fumer pendant la pulvérisation de la peinture, d'insecticides ou autres matières inflammables.
- Utiliser un masque/respirateur pendant la pulvérisation et pulvériser dans un endroit bien aéré pour éviter le risque de blessures et d'incendie.
- Ne pas diriger la peinture ou autre matériel pulvérisé vers le compresseur. Situer le compresseur aussi loin que possible de l'endroit de pulvérisation pour réduire l'accumulation de surpulvérisation sur le compresseur.
- Suivre les instructions du fabricant pendant la pulvérisation ou le nettoyage avec des solvants ou produits chimiques toxiques.



Conserver ces instructions
Ne les jetez pas

Les symboles **DANGER, AVERTISSEMENT, ATTENTION ET AVIS** ainsi que les instructions de ce manuel ne peuvent pas couvrir toutes les conditions et situations qui pourraient se produire. L'opérateur doit comprendre que les précautions sont des facteurs qui ne peuvent pas être inclus dans ce produit, mais doivent être fournis par l'opérateur.

CARACTÉRISTIQUES TECHNIQUES

	35WC66	35WC67	35WC68
Ensemble complet	--	--	Oui
Moteur HP	10	10	10
Alimentation	200V	208-230/460V	208-230/460V
Phase	3	3	3
Cylindrée pi ³ /min	1220.5 l/min	1220.5 l/min	1220.5 l/min
Débit d'air pi ³ /min	965.6 l/min	965.6 l/min	965.6 l/min
PSI maximum	12,1 bar	12,1 bar	12,1 bar
Pompe T/M	700	700	700
Capacité du réservoir	340.65 L	340.65 L	340.65 L
Poids de l'unité	385.56 kg	385.56 kg	385.56 kg
Ampérage	28.1	27.2-24.6/12.3	27.2-24.6/12.3
Cycle de service max.	80/20	80/20	80/20
Orifice de sortie du réservoir	2,5 cm (1 po) (F) NPT	2,5 cm (1 po) (F) NPT	2,5 cm (1 po) (F) NPT

DIMENSIONS

	35WC66	35WC67	35WC68
Longueur	132.08 cm	132.08 cm	132.08 cm
Largeur	60.96 cm	60.96 cm	60.96 cm
Hauteur	175.26 cm	175.26 cm	175.26 cm

INSTRUCTIONS D'INSTALLATION



⚠ AVERTISSEMENT

Débrancher, étiquetter et verrouiller la source de puissance électrique et dissiper toute la pression du système avant d'essayer d'installer, réparer, déplacer ou de procéder à l'entretien du modèle.

⚠ ATTENTION

Ne pas soulever ni déplacer le modèle sans équipement convenable et s'assurer que le modèle soit bien fixé à l'appareil de levage. Ne pas soulever le modèle avec les tuyaux ou les refroidisseurs. Ne pas utiliser le modèle pour soulever d'autre équipement qui est attaché au compresseur.

⚠ ATTENTION

Ne jamais utiliser les palettes d'expédition pour monter le compresseur.

Choisir l'emplacement

Installer et utiliser le modèle au moins de 46 cm (18 po) d'une obstruction et dans un endroit propre et bien ventilé. La température de l'air dans l'endroit ne devrait pas dépasser 37,8° C. Ceci assure un débit d'air sans obstruction pour refroidir le compresseur et permet de l'espace pour l'entretien.

⚠ ATTENTION

Ne pas situer la prise d'air du compresseur près de vapeurs, pulvérisation de peinture, endroits de décapage au sable ou n'importe quelle autre source de contamination.

REMARQUE: Si le compresseur est utilisé dans un endroit chaud et humide, il est nécessaire de fournir le compresseur avec de l'air extérieur propre et sec. Cet air devrait être canalisé d'une source externe.

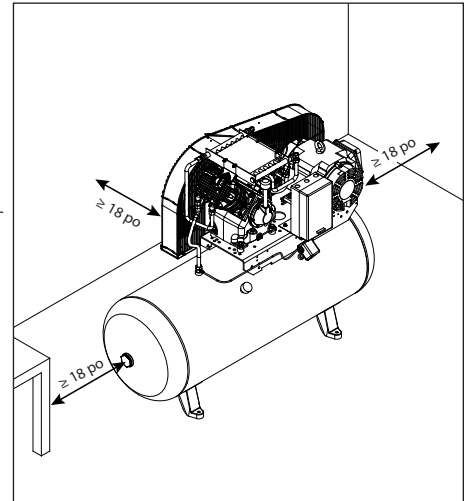


Figure 2 - Emplacement

Montage du réservoir

Le réservoir devrait être boulonné dans un plancher en béton plat et égal ou sur une fondation en béton séparée. Utiliser des tampons isolateurs entre la jambe du réservoir et le plancher. Les blocs d'isolation du modèle 2LVP7 sont recommandés pour les unités horizontales. Les coussinets isolants sont inclus avec les modèles complets.

Ne pas trop serrer les boulons en utilisant les tampons isolateurs afin de permettre que les tampons absorbent les vibrations. Un tuyau ou raccord flexible doit être installé entre le réservoir et la tuyauterie de service.

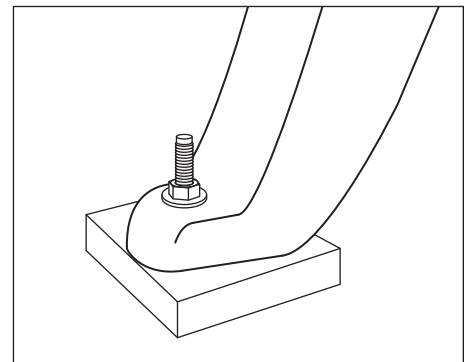


Figure 3 - Coussinet isolant

⚠ AVERTISSEMENT

Manque d'installer le réservoir correctement peut causer des fentes aux joints soudés et la possibilité d'éclatement.



Tuyauterie

⚠ AVERTISSEMENT

Ne Jamais utiliser les tuyaux en plastique (CPV) pour l'air comprimé. Ceci peut résulter en blessures graves ou perte de vie.

N'importe quel tube, tuyau ou tuyau flexible branché au modèle doit pouvoir résister la température qui est produit et doit conserver la pression. Tous les composants sous pression du système d'air doivent avoir une valeur nominale de pression de 1 379 kPa (200 psi) ou plus. La sélection ou l'installation incorrecte de n'importe quel tube, tuyau ou tuyau flexible peut résulter en éclatement et en blessures. Brancher le système de tuyauterie au réservoir en utilisant un raccord de même taille que celui de l'orifice de décharge.

Taille De Tuyau Minimum Pour Canalisation D'air Comprimé

m ³ /min	Longueur Du Système			
	7,62 m	15,24 m	30,48 m	76,2 m
10	12,7 mm	12,7 mm	19,1 mm	19,1 mm
20	19,1 mm	19,1 mm	19,1 mm	2,54 cm
40	19,1 mm	2,54 cm	2,54 cm	2,54 cm
60	19,1 mm	2,54 cm	2,54 cm	2,54 cm
100	2,54 cm	2,54 cm	2,54 cm	3,18 cm

INSTRUCTIONS D'INSTALLATION (SUITE)

Installation d'une soupape d'arrêt

Une soupape d'arrêt devrait être installée sur l'orifice de décharge du réservoir pour régler le débit d'air du réservoir. La soupape devrait être située entre le réservoir et le système de tuyauterie.

⚠ AVERTISSEMENT *Ne jamais installer une soupape d'arrêt entre la pompe du compresseur et le réservoir. Ceci peut résulter en blessures personnelles et/ou dommage à l'équipement. Ne jamais utiliser un appareil de réduction dans le tuyau flexible de refoulement.*



Figure 4 - Soupape d'arrêt

Pour un système d'installation permanent pour la distribution d'air comprimé, calculer la longueur du système et choisir la taille du tuyau selon le tableau. Enterrer les lignes souterraines sous le niveau de gélée et éviter les poches où la condensation pourrait s'accumuler et geler.

Appliquer la pression d'air à la tuyauterie et assurer que toutes les jointures sont sans fuites AVANT de couvrir les lignes souterraines. Rechercher et réparer toutes les fuites dans les tuyaux et raccords avant d'utiliser le compresseur.

Installation de fils

⚠ AVERTISSEMENT *Tout le câblage et les connexions électriques doivent être exécutés par un électricien qualifié au courant des contrôles à moteurs industriels. L'installation doit conformer aux codes locaux et nationaux.*

⚠ AVERTISSEMENT *Un câblage inadéquat mènera à la surchauffe, les court-circuits et les dommages d'incendie.*

L'installation de fils doit conformer aux National Electrical Code et aux codes et règlements locaux concernant les appareils électriques et l'installation de fils. Consulter avec et observer ceux-ci. Utiliser la taille correcte de fil et assurer que:

1. L'ampérage du service soit suffisant.
2. La ligne d'alimentation corresponde au moteur (tension, cycles et phase). Consultez la plaque signalétique du moteur quant aux classifications et spécifications électriques..
3. La taille du fil de ligne est correcte et qu'il n'y a pas d'autre équipement qui fonctionne sur la même ligne. Le tableau indique la taille minimum de fil pour les installations de compresseurs.

Taille de fil minimum utiliser le fil en cuivre 75°C				
S'assurer que la tension est correcte avec le câblage du moteur.				
REMARQUE: Si l'on utilise une monophasé de 208 volts, s'assurer que la plaque signalétique du moteur indique une valeur nominale de 208 volts en monophasé. Les moteurs monophasés de 230 volts ne fonctionnent pas à 208 volts à moins que ce ne soit une valeur de 208 volts.				
HP	Amps	Monophasé		Triphasé
		230V	208/230V	460/575V
SPL	Jusqu'à 22.0	10 AWG		
5.0		8 AWG	12 AWG	14 AWG
7.5		8 AWG	10 AWG	12 AWG
10.0		N/A	8 AWG	12 AWG
15.0		N/A	6 AWG	10 AWG
25.0		N/A	3 AWG	8 AWG
30.0		N/A	2 AWG	6 AWG

Les tailles de fils recommandées peuvent être plus larges que la configuration minimum des ordonnances locales. Si c'est le cas, utiliser le fil d'une taille plus large pour prévenir toute chute de tension excessive sur la ligne. Le coût supplémentaire du fil est très petit comparativement au coût de réparation ou de remplacement d'un moteur « épuisé » électriquement par l'utilisation de fils d'alimentation trop petits.

INSTRUCTIONS D'INSTALLATION (SUITE)

Mise à la terre



⚠ AVERTISSEMENT *Les composantes électriques qui ne sont pas correctement mise à la terre tiennent le risque de secousse électrique. S'assurer que toutes les pièces soient mise à la terre correctement pour éviter les blessures personnelles ou la perte de vie.*

Ce produit **doit** être mise à la terre pour diminuer le risque de secousse électrique en fournissant un fil d'échappement s'il y arrive un court-circuit. Ce produit doit être installé avec et utilisé avec un cordon d'alimentation qui a un fil de terre.

Disjoncteurs et fusibles

Tout le système électrique doit être vérifié par un électricien agréé. Des fusibles et disjoncteurs à retardement sont nécessaires pour ce compresseur. Un fusible grillé ou un disjoncteur déclenché peut indiquer un court-circuit direct à la terre, un tirage élevé de courant, un mauvais câblage, un fusible ou un disjoncteur de mauvaise taille et/ou type. Ceci doit être évalué par un électricien agréé.

Branchement du moteur et installation du démarreur

La protection de branchement doit être fournie selon le code des États-Unis; National Electrical Code, Chapter 2, "Wiring Design and Protection." Article 210, dans l'article "For Motors and Motor Controllers," (Article 430, Table 430-1 52).

IMPORTANT: La protection contre les surcharges est exigée pour tous les moteurs.

Se reporter aux diagramme de câblage pour l'installation électrique.

Modèles de la série Pneu et lubrifiant - figure 6.

Les moteurs triphasés sont d'une valeur à triple tension. Ils sont expédiés de l'usine pré-câblés pour un fonctionnement de 208 à 230 volts. Si l'on désire une opération à 460 volts, il faudra un peu de recâblage.

Modèles de la série Pneu et lubrifiant

1. Recâbler les fils du moteur pour 460 volts selon la plaque de données du moteur.
2. Installez la trousse de conversion de 460 volts inclus avec votre unité (le numéro de pièce ST122008AJ pour les modelés 35WC58 et 35WC55, et le numéro de pièce ZZ005050AJ pour le modelé 35WC56). La bobine et les éléments de surcharge thermique dans le démarreur magnétique doivent être changés (voir Figure 5).



Figure 5 - Trousse de conversion de 460 volts - Série d'air d'atelier

Modèle	460 Numéro de pièce de l'ensemble de conversion
35WC67	ST122008AJ
35WC68	ST122008AJ

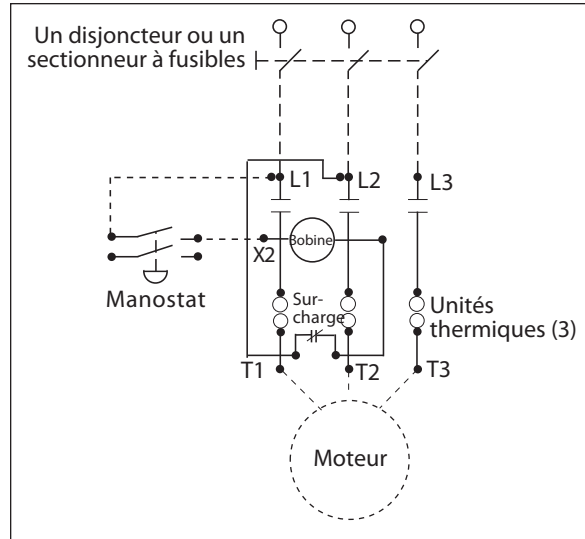


Figure 6 - Schéma de câblage triphasé

INSTRUCTIONS D'INSTALLATION (SUITE)

Sens de rotation

REMARQUE : La rotation incorrecte peut diminuer la durée du modèle.

Le sens de rotation doit être dans le sens contraire des aiguilles d'une montre (indiquée par une flèche sur le volant dans Figure 7) quand vous êtes en face du volant. La plaque indicatrice du moteur indique l'information pour l'installation des fils pour la rotation au sens contraire des aiguilles d'une montre.

La direction correcte est très importante. Le sens de rotation pour un moteur triphasé peut être inversé en échangeant deux fils. Pour moteurs monophasés, se référer à la plaque indicatrice du moteur.

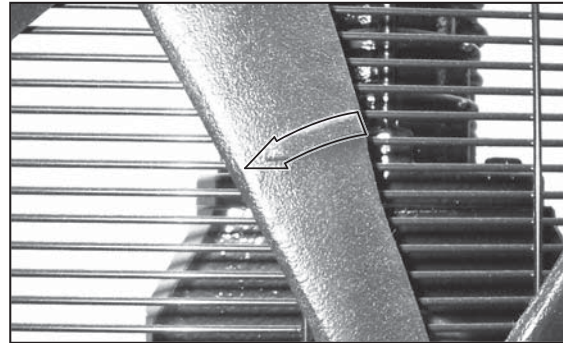


Figure 7 - Direction de rotation

Graissage

⚠ ATTENTION *CE MODÈLE NE CONTIENT PAS D'HUILE. Avant d'utiliser le compresseur. Remplir au centre de la jauge visuelle (voir la figure 8).*

⚠ ATTENTION *L'utilisation d'un autre type d'huile pourrait raccourcir la durée de la pompe et endommager les soupapes.*

<u>Huile recommandée (2 options)</u>
Huile de compresseur sans détergent à viscosité simple, SAE 30 ISO100. Numéro de pièce Grainger 1WG49.
Huile synthétique 10W30 comme Mobil 1®.
<u>Capacité d'huile</u>
Environ 4 quarts (par pompe)

Remplir la pompe d'huile au centre de la jauge visuelle en utilisant l'ouverture de remplissage d'huile (voir la figure 8). NE PAS remplir la pompe jusqu'à l'ouverture du bouchon de reniflard, car ceci pourrait mener à une fuite d'huile et une pulvérisation vers l'extérieur durant l'utilisation.

REMARQUE: Il pourrait y avoir des résidus d'huile dans la pompe des tests en usine laissant une mince couche sur la jauge visuelle, mais il n'y a pas assez d'huile pour faire fonctionner l'unité.

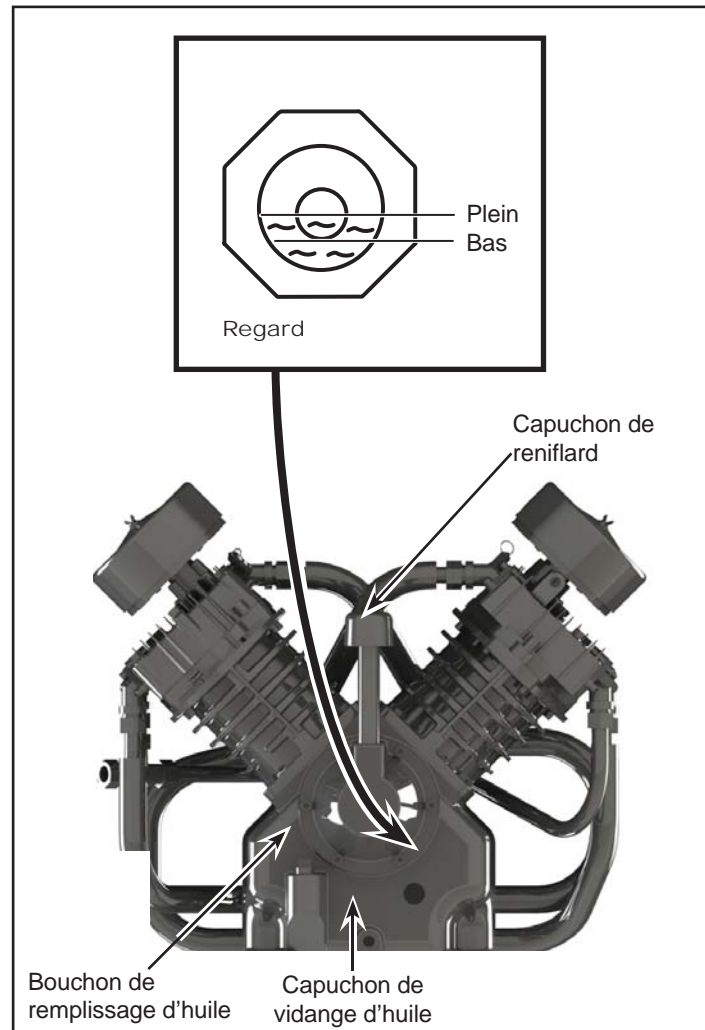


Figure 8

IMPORTANT: Vérifier la rotation du moteur avant d'utiliser le compresseur.

Toutes les pompes de compresseur graissées débitent un peu d'humidité et d'huile avec l'air comprimé. Installer l'équipement pour l'enlèvement d'eau / huile et commandes convenables à l'application.

AVIS

Manque d'installer l'équipement pour l'enlèvement d'eau/huile peut endommager les machines ou l'objet de travail.

Carters**AVERTISSEMENT**

Le carter de courroie fournit doit être installé avant l'utilisation du modèle.

Toutes les pièces mobiles doivent être protégées. Tous les couvercles électriques doivent être installés avant de mettre en circuit.

Rodage Recommandé

Le compresseur doit fonctionner pour une heure continuellement afin de permettre l'ajustage des segments de piston.

1. Ouvrir le robinet de purge et faire fonctionner le compresseur pour 60 minutes.
2. Mettre le compresseur hors circuit et fermer le robinet de purge. Le compresseur est maintenant prêt à utiliser.

Manostat Démarrage - Arrêt

REMARQUE: La pression de service maximale du compresseur est 1 207 kPa (175 psi) pour les compresseurs à deux étages. Ne pas altérer les réglages de pression sur les pièces de commandes afin qu'ils dépassent cette limite.

Le compresseur démarre et s'arrête selon les configurations de pressostat pré-réglées de 1 000 kPa (145 psi) de fermeture et de 1 207 kPa (175 psi) de coupure. Le manostat a un appareil de déchargement qui est une soupape qui sert à ventiler l'air et permet le démarrage facile du modèle (voir la Figure 9).

La soupape de décharge du pressostat devrait siffler pendant un certain temps lorsque le compresseur s'éteint. Ceci dégage la hauteur de charge et le tube d'échappement de toute pression et permet au compresseur de démarrer sans charge. Puisque les compresseurs ont un couple de démarrage élevé, il faut la décharge pour un démarrage approprié du compresseur.

Le clapet de non-retour est un clapet d'une direction qui conserve l'air dans le réservoir lorsque l'appareil est éteint. Le moyen le plus facile pour déterminer si le clapet de non-retour fonctionne correctement est de s'assurer que la décharge de pressostat cesse de siffler après que le compresseur s'éteint. Ce sifflement devrait durer quelques secondes, puis s'arrêter.

Reniflard du Carter

Un peu d'huile peut s'accumuler à l'ouverture du reniflard du carter pendant les conditions de fonctionnement sévères ou pendant le premier démarrage. Ceci est normal et diminuera après le rodage et une fois que les segments de piston soient ajustés.

Vidange du Reservoir

La condensation doit être drainée du réservoir quotidiennement. Pour les modèles de la série Shop Air, utilisez le drain manuel du réservoir (voir la figure 10). Les modèles de la série Tire and Lube comprennent un drain de réservoir automatique devant être installé (voir la figure 11). Consultez les instructions fournies avec le drain automatique.

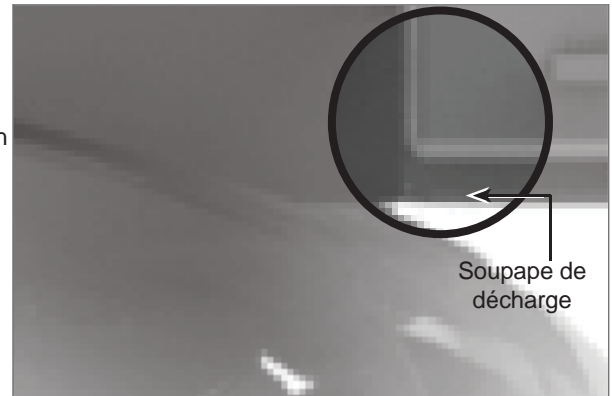


Figure 9 - Pressostat



Figure 10 - Drain manuel du réservoir



Figure 11 - Drain de réservoir automatique

GUIDE DE DÉPANNAGE POUR LES NOUVELLES INSTALLATIONS

Symptôme	Cause(s) possible(s)	Action corrective
L'appareil ne dépasse pas - le moteur fait du bruit	1. Courant insuffisant au compresseur	1. La source d'électricité au compresseur est soit de la mauvaise tension, le fil est d'une taille insuffisante pour transporter la charge, la boîte de fusibles ou la boîte du disjoncteur est insuffisante pour répondre aux exigences de transport de charge au compresseur
	2. L'appareil est câblé incorrectement	2. Tout câble autre que ce qui est indiqué dans le manuel pourrait mener à un mauvais fonctionnement (voir la section de câblage)
	3. Mauvaise tension fournie à l'appareil	3. S'assurer que la tension est correcte avec le câblage du moteur (voir la section de câblage)
	4. Connexions électriques dégagées	4. Tout le système électrique doit être vérifié par un électricien agréé. Les câbles d'entrée et les connexions électriques du compresseur devraient être vérifiés. Les connexions desserrées provoqueront de mauvais fonctionnements
	5. Mauvaise taille de câblage.	5. Vérifier que la taille du câble a une valeur pour le courant du compresseur. Les codes d'état et locaux varient beaucoup et doivent être vérifiés avant l'installation
	6. Fusible grillé et/ ou disjoncteur déclenché	6. Le disjoncteur et les fusibles requis pour cet appareil doivent être à retardement. Un fusible grillé ou un disjoncteur déclenché peut indiquer un court-circuit direct à la terre, un tirage élevé de courant, un mauvais câblage, un fusible ou un disjoncteur de mauvaise taille et/ou type. Ceci doit être évalué par un centre de service ou un électricien agréé
	7. Surcharge de démarreur déclenchée	7. Vérifier et réinitialiser, au besoin. Si la surcharge est déclenchée après la réinitialisation initiale, consultez la section ci-dessous « Réinitialiser les déclencheurs du démarreur ».
L'unité ne démarre pas - le moteur fait du bruit	1. L'appareil est câblé incorrectement	1. Tout câble autre que ce qui est indiqué dans le manuel pourrait mener à un mauvais fonctionnement (voir la section de câblage)
	2. Mauvaise tension	2. S'assurer que la tension est correcte avec le câblage du moteur (voir la section de câblage)
	3. Connexions électriques dégagées	3. Tout le système électrique doit être vérifié par un électricien agréé. Les câbles d'entrée et les connexions électriques du compresseur devraient être vérifiés. Les connexions desserrées provoqueront de mauvais fonctionnements
Réinitialiser les déclencheurs du démarreur	1. L'appareil est câblé incorrectement	1. Vérifier la tension, la taille du câblage, etc. Ce problème doit être évalué et corrigé (voir la section du câblage)
	2. Mauvaise tension	2. S'assurer que la tension est correcte avec le câblage du moteur (voir la section de câblage)
	3. Mauvaise taille de câblage.	3. Vérifier que la taille du câble a une valeur pour le courant du compresseur. Vérifier que la taille du câble a une valeur pour le courant du compresseur. Les codes d'état et locaux varient beaucoup et doivent être vérifiés avant l'installation

Suite à la page suivante

GUIDE DE DÉPANNAGE POUR LES NOUVELLES INSTALLATIONS (SUITE)

Symptôme	Cause(s) possible(s)	Action corrective
L'appareil démarre, mais n'atteint pas sa pleine vitesse	1. Courant insuffisant au compresseur	1. La source d'électricité au compresseur est soit de la mauvaise tension, le fil est d'une taille insuffisante pour transporter la charge, la boîte de fusibles ou la boîte du disjoncteur est insuffisante pour répondre aux exigences de transport de charge au compresseur
	2. Connexions électriques délogées	2. Tout le système électrique doit être vérifié par un électricien agréé. Les câbles d'entrée et les connexions électriques du compresseur devraient être vérifiés. Les connexions desserrées provoqueront de mauvais fonctionnements
L'appareil ne produit pas ou produit très peu d'air	1. Soupape de purge ouverte	1. S'assurer que le robinet de vidange au bas du réservoir est fermé
	2. Fuite d'air	2. Vérifier tout le système pour tout signe de fuites, incluant le compresseur et toute tuyauterie rattachée au compresseur
	3. Aspiration d'air limitée ou bloquée	3. S'assurer que l'alimentation d'air du compresseur n'est bloquée d'aucune façon
L'appareil fonctionne bruyamment	1. Dommages au compresseur	1. Vérifier pour s'assurer que le compresseur n'a pas été endommagé dans l'expédition ou l'installation. S'assurer que le protecteur de courroie n'est pas endommagé. Le protecteur de courroie ne doit pas être en contact avec le volant ou la poulie
	2. Attaches desserrées	2. Vérifier tous les boulons et écrous pour s'assurer qu'ils ne se sont pas desserrés dans l'expédition
	3. Volant ou poulie desserré(e)	3. Vérifier pour s'assurer que la poulie ou le volant sont bien resserrés
	4. Mauvaise installation	4. Si l'appareil est laissé sur le patin, cela pourrait provoquer des vibrations excessives. Retirer l'appareil du patin et le monter sans resserrer sur le plancher avec les coussinets de vibrations et les boulons d'ancrage. Ne pas resserrer les boulons complètement. Laisser l'écrou desserré d'environ 3,2 mm (1/8 po) du pied du compresseur
De l'huile dans l'air de décharge ou hors du reniflard du carter	1. Période de rodage	1. Un peu d'huile dans l'air d'échappement est normal durant la période de rodage et durant les périodes d'utilisation lourde après la période de rodage. La décharge d'huile devrait être réduite avec l'accumulation d'heures d'utilisation de l'appareil
	2. Mauvais type d'huile	2. Ne pas utiliser d'huile de type automobile SAE-30. Utiliser la mauvaise huile peut causer des problèmes de pompe et annuler la garantie. Utiliser seulement des huiles recommandées dans le manuel d'utilisation (voir la section lubrification)
	3. Mauvais environnement	3. L'appareil ne doit pas être installé dans un endroit mal ventilé ou exposé à des conditions d'extrême chaleur ou froid. La plage d'exploitation normale doit être entre 0 et 37 °C (32 et 100°F)
Le compresseur semble tourner à chaud	Rotation incorrecte	Vérifier pour s'assurer que le compresseur tourne dans la direction de la flèche du volant. La circulation d'air devrait permettre au volant de diriger l'air à travers la tête de pompe. Debout devant le compresseur (non pas du côté du protecteur de courroie), l'air devrait revenir vers l'avant

GUIDE DE DÉPANNAGE POUR LES UNITÉS EN SERVICE PENDANT UNE PÉRIODE DE TEMPS

Symptôme	Cause(s) possible(s)	Action corrective
Le moteur ne démarre pas	1. Connexions électriques délogées	1. Tout le système électrique doit être vérifié par un électricien agréé. Les câbles d'entrée et les connexions électriques du compresseur devraient être vérifiés. Les connexions desserrées provoqueront de mauvais fonctionnements
	2. Fusible grillé et/ ou disjoncteur déclenché	2. Le disjoncteur et les fusibles requis pour cet appareil doivent être à retardement. Un fusible grillé ou un disjoncteur déclenché peut indiquer un court-circuit direct à la terre, un tirage élevé de courant, un mauvais câblage, un fusible ou un disjoncteur de mauvaise taille et/ou type. Ceci doit être évalué par un centre de service ou un électricien agréé
	3. Surcharge de démarreur déclenchée	3. Vérifier et réinitialiser, au besoin. Si la surcharge est déclenchée après la réinitialisation initiale, consultez la section du « Guide de dépannage pour une nouvelle installation - Réinitialiser les déclencheurs du démarreur ».
	4. Condensateur défectueux	4. Vérifier et remplacer (si nécessaire) le condensateur défectueux
	5. Démarreur magnétique défectueux	5. Vérifier d'abord tous câbles desserrés et resserrer au besoin. Vérifier et remplacer (si nécessaire) le démarreur magnétique défectueux
Le moteur ronfle, le moteur tire une forte intensité, il y a déclenchement de surcharge, déclenchement du disjoncteur ou fusible grille au démarrage	1. Décharge de pressostat défectueux	1. Drainer le réservoir de toute pression. Redémarrer le compresseur sans charge. Si le compresseur peut démarrer, alors la décharge doit être vérifiée. Si ce problème n'est pas corrigé, le moteur et/ou d'autres composants électriques auront des problèmes
	2. Clapet de non-retour défectueux - perte constante de pression du réservoir	2. Déterminer si le clapet de non-retour fonctionne correctement - la décharge de pressostat devrait cesser de siffler après que le compresseur s'éteint. Si le sifflement se poursuit et s'il y a une perte constante de pression du réservoir, alors le clapet de non-retour ne fonctionne pas correctement. Remplacer le clapet de non-retour
	3. Connexions électriques délogées	3. Tout le système électrique doit être vérifié par un électricien agréé. Les câbles d'entrée et les connexions électriques du compresseur devraient être vérifiés. Les connexions desserrées provoqueront de mauvais fonctionnements
	4. Condensateur défectueux	4. Vérifier et remplacer (si nécessaire) le condensateur défectueux
	5. Problème de clapet ou joint sauté	5. Vérifier le joint et remplacer au besoin. Il y a d'autres symptômes lorsqu'un clapet n'est pas scellé ou qu'un joint est sauté comme un tirage d'intensité normale qui pourrait déclencher une surcharge ou un disjoncteur
Le compresseur fonctionne, mais accumule de la pression lentement	1. Fuite d'air	1. Vérifier tout le système pour tout signe de fuites, incluant le compresseur et toute tuyauterie rattachée au compresseur
	2. Filtre d'air sale	2. Les filtres d'air doivent être changés régulièrement selon l'usage et l'environnement. Un filtre sale peut sembler propre. Changer souvent les filtres
	3. Problème de clapet ou joint sauté	3. Vérifier le joint et remplacer au besoin. Il y a d'autres symptômes lorsqu'un clapet n'est pas scellé ou qu'un joint est sauté comme un tirage d'intensité normale qui pourrait déclencher une surcharge ou un disjoncteur
	4. Réservoir fissuré	4. Remplacer le réservoir. L'appareil ne devrait pas être utilisé dans ces conditions. Les réservoirs ne peuvent pas être soudés ou rapiécés

Suite à la page suivante

GUIDE DE DÉPANNAGE POUR LES UNITÉS EN SERVICE PENDANT UNE PÉRIODE DE TEMPS (SUITE)

Symptôme	Cause(s) possible(s)	Action corrective
La soupape de sûreté interétage sort lorsque l'appareil fonctionne	<ol style="list-style-type: none"> 1. Soupape ou un joint usé 2. Couple de boulon à tête basse 3. Soupape de sûreté interétage défectueuse 	<ol style="list-style-type: none"> 1. Vérifier et remplacer le robinet ou les joints au besoin 2. Vérifier et resserrer les boulons à tête au couple spécifié.x 3. Remplacer la soupape de sûreté interétage. Il ne faut dans aucun cas boucher le port de soupape de sûreté
Fuite d'huile du reniflard	<ol style="list-style-type: none"> 1. Anneaux usés ou cylindre marqué 2. Le compresseur tourne à chaud 	<ol style="list-style-type: none"> 1. Remplacer les anneaux et/ou remplacer le cylindre 2. S'assurer que le compresseur tourne à la bonne rotation. Le compresseur doit être propre et dans un endroit bien ventilé. L'huile doit être changée à des intervalles réguliers selon les spécifications indiquées dans le manuel. Le filtre d'air doit être changé, car il se salit
Huile laiteuse dans le carter	<ol style="list-style-type: none"> 1. Faible usage du compresseur - l'eau se condense dans le carter 2. Mauvais type d'huile 3. Mauvais environnement 4. Rotation incorrecte 5. Légère fuite de réservoir, vérifier le clapet 	<ol style="list-style-type: none"> 1. Faire fonctionner le compresseur continuellement pendant 1 heure. La chaleur produite durant cette période de fonctionnement évaporerait l'humidité de l'huile 2. Ne pas utiliser d'huile de type automobile SAE-30. Utiliser la mauvaise huile peut causer divers problèmes de pompe et annuler la garantie. Utiliser seulement des huiles recommandées dans le manuel d'utilisation 3. L'appareil ne doit pas être installé dans un endroit mal ventilé ou exposé à des conditions d'extrême chaleur ou froid. La plage d'exploitation normale doit être entre 0 et 37 °C (32 et 100°F) 4. Vérifier pour s'assurer que le compresseur tourne dans la direction de la flèche du volant. La circulation d'air devrait permettre au volant de diriger l'air à travers la tête de pompe. Debout devant le compresseur (non pas du côté du protecteur de courroie), l'air devrait revenir vers l'avant 5. L'air refroidit et se condense, puis fuit et revient dans la pompe. Drainer le réservoir d'air après l'utilisation résoudra normalement le problème
Le pressostat fait continuellement sortir de l'air de la soupape de décharge	Clapet de non-retour défectueux	Remplacer le clapet de non-retour
Le pressostat ne dégage pas d'air lorsque le compresseur s'éteint	La décharge de pressostat ne fonctionne pas correctement	Drainer le réservoir de toute pression. Redémarrer le compresseur sans charge. Si le compresseur peut démarrer, alors la décharge doit être vérifiée. Si ce problème n'est pas corrigé, le moteur aura des problèmes et/ou d'autres composants électriques
Le compresseur ne s'arrête pas	<ol style="list-style-type: none"> 1. Pressostat défectueux 2. Soupape de sûreté défectueuse 	<ol style="list-style-type: none"> 1. Remplacer le pressostat 2. S'assurer que le manomètre du réservoir lit correctement et si nécessaire remplacer la soupape de sûreté du réservoir

Suite à la page suivante

GUIDE DE DÉPANNAGE POUR LES UNITÉS EN SERVICE PENDANT UNE PÉRIODE DE TEMPS (SUITE)

Symptôme	Cause(s) possible(s)	Action corrective
L'appareil vibre excessivement	1. Attaches desserrées	1. Ceci inclut les boulons de montage de la pompe, le moteur, le protecteur de courroie, le démarreur magnétique, etc. Vérifier s'il y a des attaches desserrées dans le cadre d'une routine d'entretien. Resserrer les attaches desserrées
	2. Poulie desserrée, courroie desserrée ou mauvais alignement de poulies	2. La poulie et la courroie devront peut-être être resserrées avec le temps. Les poulies devront peut-être être réalignées pour assurer la bonne usure de courroie et réduire les vibrations. Il faut vérifier dans le cadre de l'entretien régulier
	3. Pompe défectueuse	3. Une pompe défectueuse inclut des coups ou des bruits qui ne sont pas normaux selon la conception de la pompe. Beaucoup d'huile qui sort du reniflard indique l'usure de l'anneau ou du cylindre. Une faible performance de pompe pourrait indiquer des problèmes de robinet. Il y a plusieurs symptômes associés à une pompe défectueuse. La pompe devra être réévaluée
Eau dans l'air de décharge	1. Temps humides et chauds	1. Pendant les temps chauds et humides, il est normal d'avoir de l'accumulation d'eau dans le réservoir du compresseur. Ceci est normal et exige de fréquents drainages du réservoir. Nous recommandons l'utilisation d'un drain automatique avec filtres et séchoirs si cela est un problème
	2. Eau accumulée dans le réservoir	2. Drainer le réservoir d'eau pour éviter la corrosion du réservoir et l'usure de l'outil pneumatique. Nous recommandons l'utilisation d'un drain automatique avec filtres et séchoirs pour éviter que l'eau entre dans l'air d'échappement du compresseur
Huile dans l'air de décharge	1. Filtre d'aspiration entravé	1. Le filtre doit être changé fréquemment pour éviter les problèmes possibles et pour permettre une opération efficiente du compresseur. Il y a un vide créé dans l'aspiration du compresseur ce qui mène à une forte consommation d'huile en attirant de l'huile par les anneaux. Il y a aussi une possibilité de destruction de média du filtre d'aspiration permettant aux contaminants d'entrer par l'aspiration et mener à des problèmes d'usure
	2. Mauvais type d'huile	2. Ne pas utiliser d'huile de type automobile SAE-30. Utiliser la mauvaise huile peut causer divers problèmes de pompe et annulera la garantie. Utiliser seulement des huiles recommandées dans le manuel d'utilisation
	3. Anneaux usés ou cylindre marqué	3. Remplacer les anneaux et/ou remplacer le cylindre
	4. Le compresseur tourne à chaud	4. S'assurer que le compresseur tourne à la bonne rotation. Le compresseur doit être propre et dans un endroit bien ventilé. L'huile doit être changée à des intervalles réguliers selon les spécifications indiquées dans le manuel. Le filtre d'air doit être changé, car il se salit

INSTRUCTIONS D'ENTRETIEN ET D'INSPECTION



⚠ AVERTISSEMENT Débrancher, étiquetter, verrouiller la source de puissance et ensuite dissiper toute la pression du système avant d'essayer d'installer, réparer, déplacer ou de procéder à l'entretien.

Vérifier le filtre à air et le niveau d'huile avant chaque utilisation afin de garder le système de compresseur en bon état de marche. Inspecter la soupape de sûreté ASME quotidiennement (Voir la Figure 12). Tirer sur la bague de la soupape de sûreté et la laisser revenir à sa position normale. Cette soupape laisse échapper de l'air automatiquement si la pression dans le réservoir dépasse la pression maximale réglée d'avance. Remplacer la soupape de sûreté ASME s'il y a une fuite d'air une fois que la soupape soit lâchée ou si la soupape est grippée.

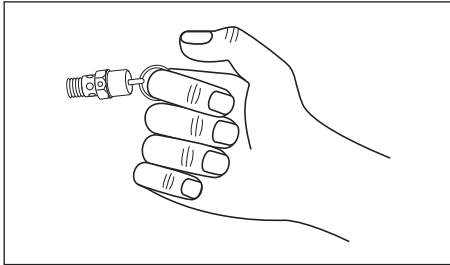


Figure 12 - Soupape de sûreté ASME

⚠ AVERTISSEMENT Ne pas toucher la soupape de sûreté ASME.

Réservoir

⚠ AVERTISSEMENT Ne jamais essayer de réparer ou d'altérer un réservoir! Le soudage, perçage ou n'importe quelle autre modification peut affaiblir le réservoir et peut résulter en rupture ou en explosion. Toujours remplacer les réservoirs usés, fendus ou endommagés.

AVIS

Purger le réservoir quotidiennement.

Le réservoir doit être inspecté soigneusement au moins une fois par année. Vérifier pour des fissures près des soudures. S'il y a une fissure, dissiper la pression du réservoir et le remplacer immédiatement.

Graissage du Compresseur

Voir la section de Fonctionnement. Ajouter de l'huile si nécessaire. L'huile devrait être changée tous les trois mois ou après chaque 500 heures de fonctionnement, selon la première éventualité.

Si le compresseur est utilisé sous les conditions humides pour durées courtes, l'humidité peut se condenser dans le carter et l'huile peut paraître crémeuse. L'huile qui est contaminée avec de l'eau condensée ne fournit pas de lubrification suffisante et doit être remplacée immédiatement. L'utilisation de l'huile contaminée peut endommager les roulements, pistons, cylindres et bagues et n'est pas couverte par la garantie. Pour éviter la condensation d'eau dans l'huile, il est nécessaire de faire fonctionner le compresseur à 1 034 kPa (150 psi) pour les compresseurs à deux étages ou 827 kPa (120 psi) pour les compresseurs à un étage en ouvrant le robinet de purge ou une soupape d'air qui est branchée au réservoir ou à un tuyau. Faire fonctionner la pompe pendant une heure au moins une fois par semaine ou plus souvent si la condensation se manifeste.

IMPORTANT: Changer l'huile après les premières 50 heures de fonctionnement.

Filtre à Air

Ne jamais utiliser le compresseur sans un filtre à air d'admission ou avec un filtre à air d'admission obstrué. L'élément du filtre d'air doit être vérifié chaque mois (voir la figure 13). L'utilisation d'un compresseur avec un filtre sale peut augmenter la consommation d'huile et peut augmenter la contamination d'huile dans l'air. Si le filtre d'air est sale, il faut le remplacer.



Figure 13

INSTRUCTIONS D'ENTRETIEN ET D'INSPECTION (SUITE)

Refroidisseur intermédiaire

⚠ ATTENTION Les ailettes du refroidisseur sont pointues, toujours porter des gants et prendre précaution pendant le nettoyage du refroidisseur ou si vous travaillez près du refroidisseur.

Vérifier le serrage de tous les raccords du refroidisseur chaque semaine. Nettoyer la saleté, la poussière et toutes autres accumulations des ailettes du refroidisseur.

Pièces détachées

Couper tout courant et nettoyer la tête du cylindre, le moteur, les lames du ventilateur, les conduites d'air, le refroidisseur et le réservoir chaque mois.

Courroies

⚠ AVERTISSEMENT Mettre hors circuit et étiqueter la source de puissance et dissiper toute pression du réservoir pour éviter le mouvement inattendu du modèle.

Vérifier la rigidité des courroies chaque 3 mois. Ajuster la rigidité des courroies afin de permettre une déflexion de 0,9 cm à 1,2 cm (3/8 po - 1/2 po) avec pression du pouce normale. Aligner les courroies en utilisant une limande contre la face du volant et en touchant le limbe sur les deux bords de la face. Les courroies devraient être parallèles à la limande (Voir la Figure 14). Dimension A devrait être la même que B et C pour assurer l'alignement correct des courroies.

Des fentes dans la plaque permettent que le moteur glisse en avant et en arrière pour ajuster la tension de la courroie.

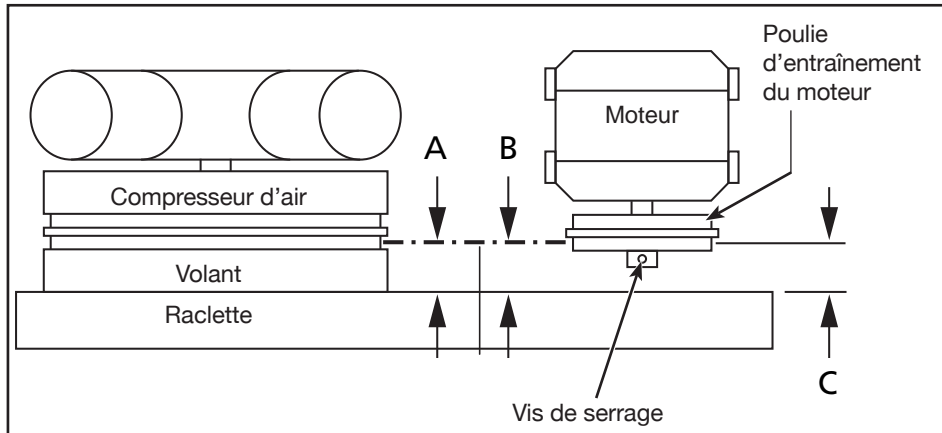
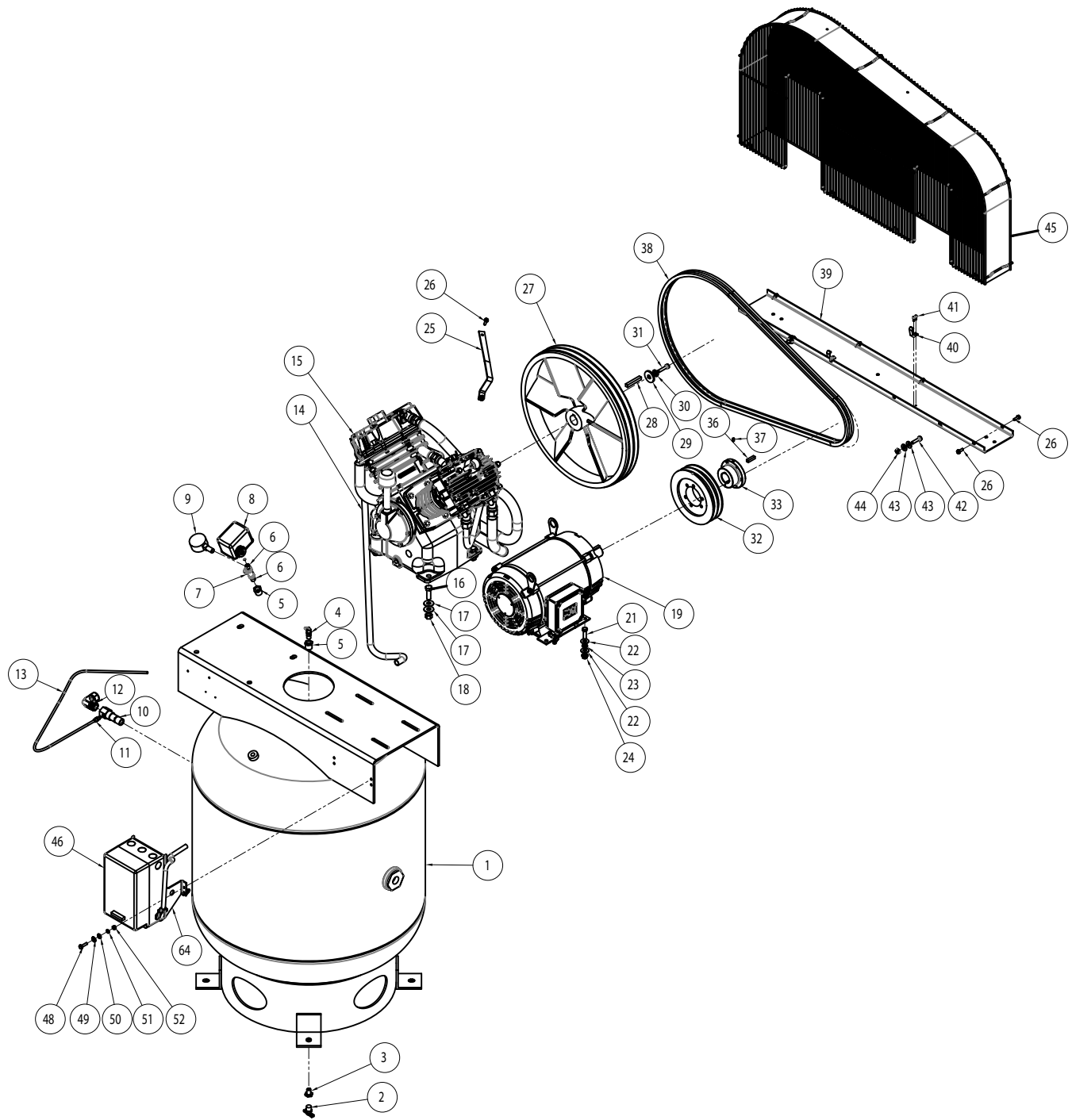


Figure 14 - Vue du dessus

Horaire d'entretien

Fonctionnement	Quotidiennement	Mensuellement	3 Mois
Vérifier la soupape de sûreté	●		
Purger le réservoir (Voir la Figures 10 et 11)	●		
Vérifier le niveau d'huile	●		
Nettoyer ou changer le filtre à air		●	
Vérifier le refroidisseur		●	
Nettoyer les pièces du modèle		●	
Vérifier le serrage de la courroie			●
Changer l'huile (Voir la Figure 8)			●



**Pour commander des pièces détachées, composer le 1-800-Grainger
24 heures par jour – 365 jours par an**

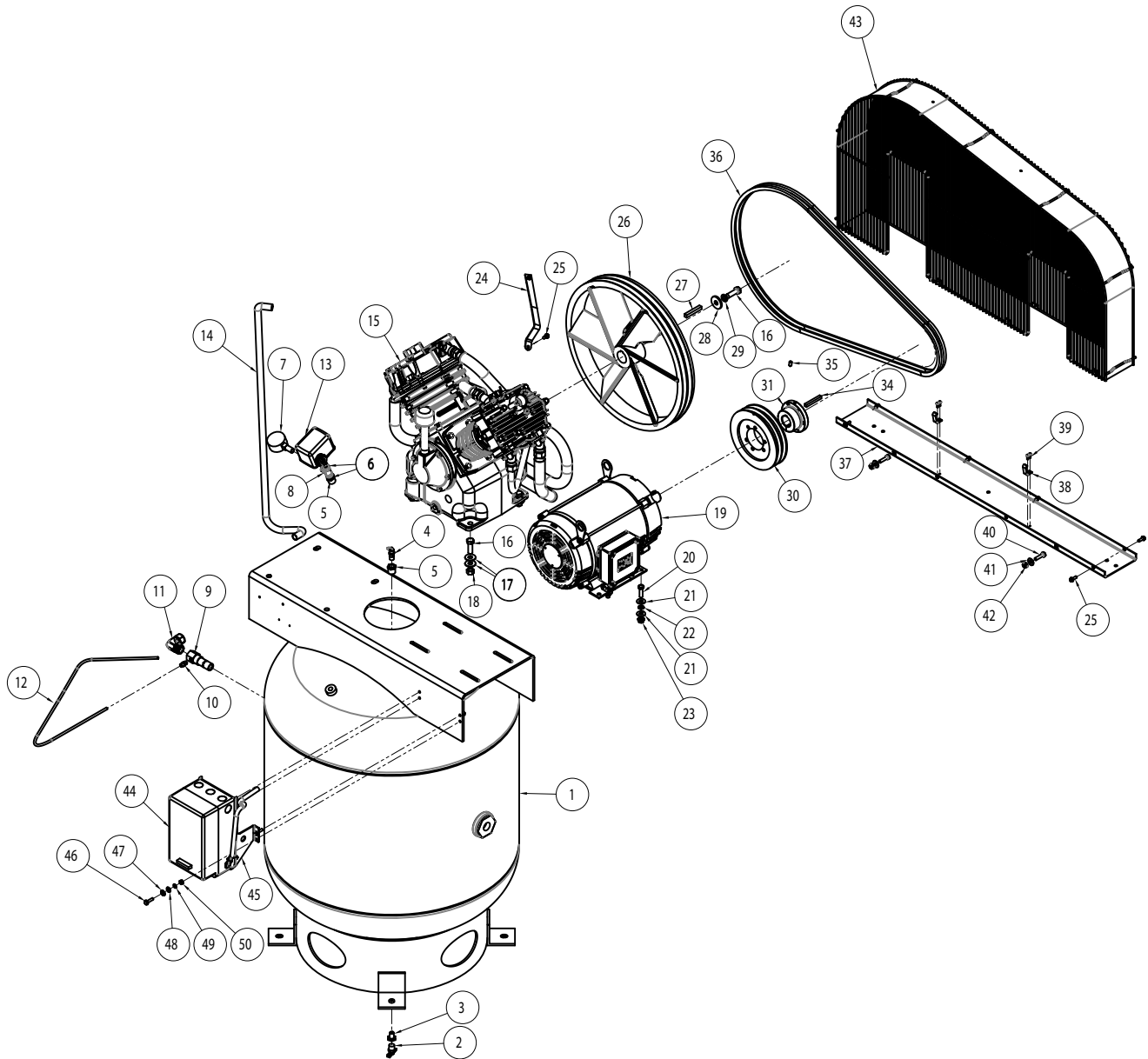
Fournir les informations suivantes :

- Numéro de modèle
- Numéro de série (s'il y en a un)
- Description et numéro de pièce comme indiqué sur la liste des pièces

LISTE DES PIÈCES DÉTACHÉES POUR LES MODÈLE 35WC66

N° de réf.	Description	Numéro de pièce :	Qté
1	10 HP 341 LITRES (90 GAL)	AR028400CG	1
2	ROBINET DE VIDANGE 3/8	ST127700AV	1
3	BAGUE DE RACCORDEMENT HEXAGONAL RÉDUCTEUR DE TUYAU 0,375 DIA. EXT. 0,5 DIA. INT.	ST151200AV	1
4	SOUPAPE DE SÉCURITÉ 200 PSI	V-209000AV	1
5	BAGUE DE RACCORDEMENT HEXAGONAL RÉDUCTEUR DE TUYAU 0,25 DIA. EXT. 0,5 DIA. INT.	ST071428AV	2
6	RACCORD DU FLEXIBLE M/M MAMELON EN ACIER À FILETAGE NPT 1/4-18	HF002404AV	2
7	TÉ 1/4 NPT	ST049900AV	1
8	MANOSTAT	CW207561AV	1
9	JAUGE	GA031900AV	1
10	CLAPET ANTI-RETOUR	CV003205AV	1
11	ÉVASEMENT DROIT 1/4TX1/8P	ST011701AV	1
12	TUYAU COUDÉ 3/4 NPT	ST072231AV	1
13	TUBE DÉCHARGEUR	TF400600AP	1
14	TUYAU D'ÉCHAPPEMENT	CE002600AP	1
15	POMPE À DEUX PHASES	5Z405	1
16	CVTH 1/2-13 1,5 ZINC ACIER LG-CLAIR-GR2	†	4
17	RONDELLE-7/16-W-DIA. INT. 0,5 DIA. EXT. 1,25-ZINC CLAIR	ST070916AV	8
18	ÉCROU HEXAGONAL 1/2-13 -ZINC	†	4
19	MOTEUR WEG 10 HP	MC602200AV	1
20	CAPUCHON DE CONNEXION	ST073008AV	3
21	CVTH 3/8-16 1,25 ZINC ACIER LG-CLAIR-GR2	ST070638AV	4
22	RONDELLE-3/8-W-DIA. INT. 0,438 DIA. EXT. 1-ZINC CLAIR	ST070914AV	8
23	RONDELLE DENTÉE EXT	ST146800AV	1
24	ÉCROU À EMBASE 3/8 PO-16	ST033500AV	4
25	SUPPORT DE PROTECTION DE COURROIE	TX034100KK	1
26	VIS AUTO-TARAUDEUSE À TÊTE HEXAGONALE N°1/4-20	ST074415AV	8
27	VOLANT	TX034800AV	1
28	CLAVETTE DU VOLANT	KE001310AV	1
29	RONDELLE	TX034600AV	1
30	RONDELLE -1/2-DIA. INT. 0,509 DIA. EXT. 0,873-ZINC MÉCANIQUE	†	1
31	CVTH 5/16-18 1,5 ZINC ACIER LG-CLAIR-GR2	ST070629AV	1
32	POULIE	PU203300AV	1
33	BAGUE SK 1 3/8 - 5/16	PU203500AV	1
34	RONDELLE DE BLOCAGE POUR BAGUE DE POULIE	--	6
35	VIS DE BAGUE DE POULIE	--	6
36	CLAVETTE POUR POULIE	--	1
37	VIS DE PRESSION	--	1
38	COURROIE EN V B82	BT011600AV	2
39	PLATEAU DE PROTECTEUR DE COURROIE	TR001901KK	1
40	SUPPORTS DE PROTECTEUR DE COURROIE	TX033000AV	2
41	VIS TARAUDEUSE N° 8 0,5 EN ZINC	ST073224AV	4
42	CVTH 5/16-18 1,25 ZINC ACIER LG-CLAIR-GR2	ST012800AV	2
43	RONDELLE-5/16-W-DIA. INT. 0,375 DIA. EXT. 0,875-ZINC CLAIR	ST011200AV	4
44	CONTRE-ÉCROU NOIR 5/16-18	ST146001AV	2
45	PROTECTEUR DE COURROIE	TR001800AV	1
46	DÉMARREUR HORIZONTAL 10HP 3PH 230V	SA001200AJ	1
47	PLAQUE DE MONTAGE DU DÉMARREUR MAGNÉTIQUE	JQ150800AV	1
48	CVTH 1/4-20 1 LG-ACIER-NOIR-GR2	ST019800AV	4
49	RONDELLE DENTÉE EXT	ST146800AV	1
50	RONDELLE-1/4-N-DIA. INT. 0,281 DIA. EXT. 0,625-ZINC CLAIR	ST070910AV	4
51	RONDELLE -1/4-DIA. INT. 0,255 DIA. EXT. 0,489-ZINC MÉCANIQUE	ST071023AV	4
52	ÉCROU HEXAGONAL 1/4-20 -ZINC	ST070711AV	4
--	NON DISPONIBLE		

† DISPONIBLE DANS LES QUINCAILLERIES LOCALES



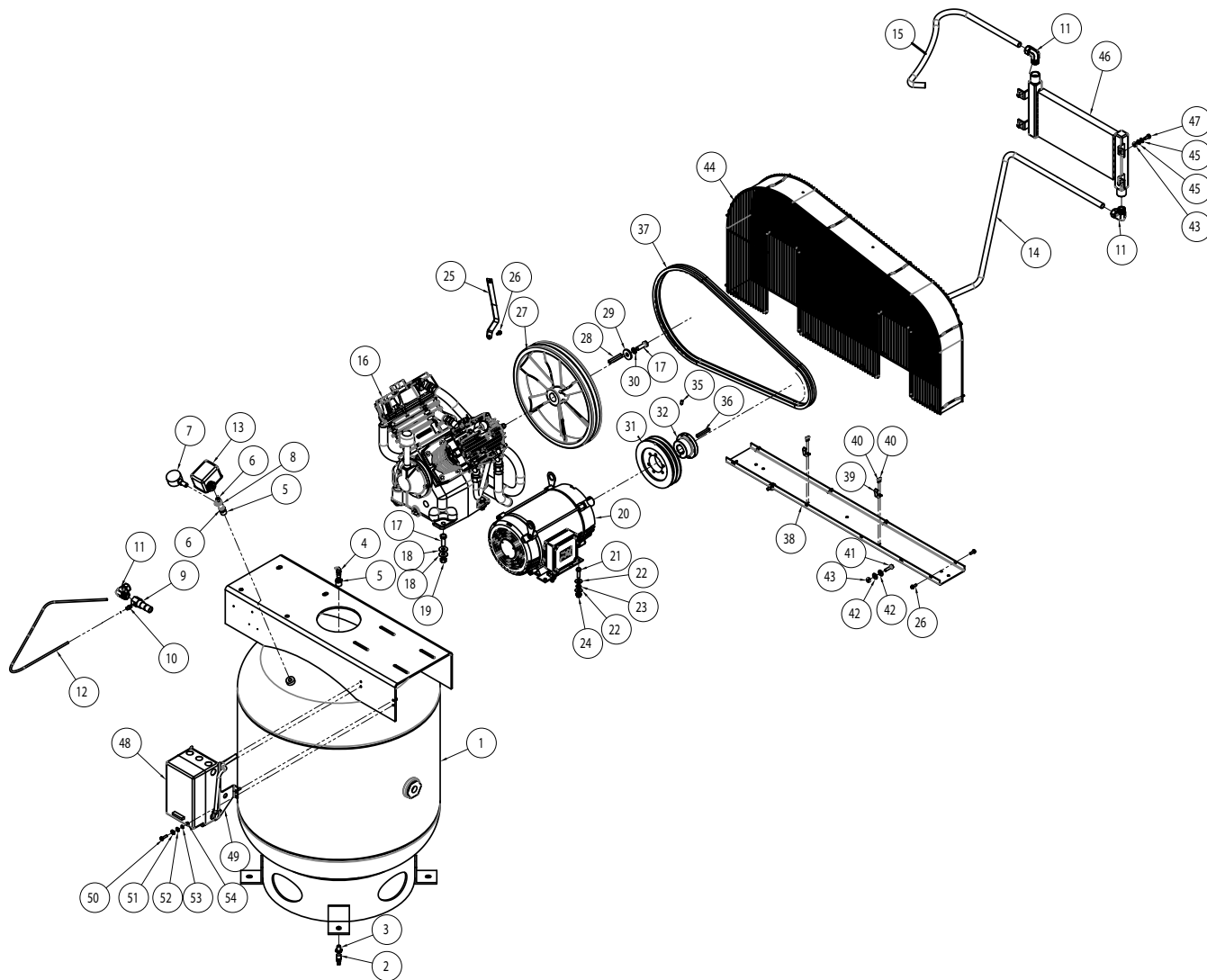
**Pour commander des pièces détachées, composer le 1-800-Grainger
24 heures par jour – 365 jours par an**

Fournir les informations suivantes :

- Numéro de modèle
- Numéro de série (s'il y en a un)
- Description et numéro de pièce comme indiqué sur la liste des pièces

LISTE DES PIÈCES DÉTACHÉES POUR LES MODÈLE 35WC67

N° de réf.	Description	Numéro de pièce :	Qté
1	10 HP 341 LITRES (90 GAL)	AR028400CG	1
2	ROBINET DE VIDANGE 3/8	ST127700AV	1
3	BAGUE DE RACCORDEMENT HEXAGONAL RÉDUCTEUR DE TUYAU 0,375 DIA. EXT. 0,5 DIA. INT.	ST151200AV	1
4	SOUPAPE DE SÉCURITÉ 200 PSI	V-209000AV	1
5	BAGUE DE RACCORDEMENT HEXAGONAL RÉDUCTEUR DE TUYAU 0,25 DIA. EXT. 0,5 DIA. INT.	ST071428AV	2
6	RACCORD DU FLEXIBLE M/M MAMELON EN ACIER À FILETAGE NPT 1/4-18	HF002404AV	2
7	JAUGE	GA031900AV	1
8	TÉ 1/4 NPT	ST049900AV	1
9	CLAPET ANTI-RETOUR	CV003205AV	1
10	CONNECTEUR DE COMP. 1/4 PO	ST011701AV	1
11	TUYAU COUDÉ 3/4 NPT	ST072231AV	1
12	TUBE DÉCHARGEUR	TF400600AP	1
13	MANOSTAT	CW207561AV	1
14	TUYAU D'ÉCHAPPEMENT	CE002600AP	1
15	POMPE À DEUX PHASES	5Z405	1
16	CVTH 1/2-13 1,5 ZINC ACIER LG-CLAIR-GR2	+	5
17	RONDELLE-7/16-W-DIA. INT. 0,5 DIA. EXT. 1,25-ZINC CLAIR	ST070916AV	8
18	ÉCROU HEXAGONAL 1/2-13 -ZINC	+	4
19	MOTEUR WEG 10 HP 3PH	MC033700AV	1
20	CVTH 3/8-16 1,25 ZINC ACIER LG-CLAIR-GR2	ST070638AV	4
21	RONDELLE-3/8-W-DIA. INT. 0,438 DIA. EXT. 1-ZINC CLAIR	ST070914AV	8
22	RONDELLE DENTÉE EXT	ST146800AV	1
23	ÉCROU À EMBASE 3/8 PO-16	ST033500AV	4
24	SUPPORT DE PROTECTION DE COURROIE	TX034100KK	1
25	VIS AUTO-TARAUEUSE À TÊTE HEXAGONALE N°1/4-20	ST074415AV	8
26	VOLANT	TX034800AV	1
27	CLAVETTE DU VOLANT	KE001310AV	1
28	RONDELLE	TX034600AV	1
29	RONDELLE -1/2-DIA. INT. 0,509 DIA. EXT. 0,873-ZINC MÉCANIQUE	+	1
30	POULIE	PU203300AV	1
31	BAGUE SK 1 3/8 - 5/16	PU203500AV	1
32	RONDELLE DE BLOCAGE POUR BAGUE DE POULIE	--	6
33	VIS DE BAGUE DE POULIE	--	6
34	CLAVETTE POUR POULIE	--	1
35	VIS DE PRESSION	--	1
36	COURROIE EN V B-82	BT011600AV	1
37	PLATEAU DE PROTECTEUR DE COURROIE	TR001901KK	1
38	SUPPORTS DE PROTECTEUR DE COURROIE	TX033000AV	2
39	VIS TARAUEUSE N° 8 0,5 EN ZINC	ST073224AV	4
40	CVTH 5/16-18 1,25 ZINC ACIER LG-CLAIR-GR2	ST012800AV	2
41	RONDELLE-5/16-W-DIA. INT. 0,375 DIA. EXT. 0,875-ZINC CLAIR	ST011200AV	2
42	CONTRE-ÉCROU NOIR 5/16-18	ST146001AV	2
43	PROTECTEUR DE COURROIE	TR001800AV	1
44	DÉMARREUR HORIZONTAL 10HP 3PH 230V	SA001200AJ	1
45	PLAQUE DE MONTAGE DU DÉMARREUR MAGNÉTIQUE	JQ150800AV	1
46	CVTH 1/4-20 1 LG-ACIER-NOIR-GR2	ST019800AV	4
47	RONDELLE DENTÉE EXT	ST146800AV	1
48	RONDELLE-1/4-N-DIA. INT. 0,281 DIA. EXT. 0,625-ZINC CLAIR	ST070910AV	4
49	RONDELLE -1/4-DIA. INT. 0,255 DIA. EXT. 0,489-ZINC MÉCANIQUE	ST071023AV	4
50	ÉCROU HEXAGONAL 1/4-20 -ZINC	ST070711AV	4
--	NON DISPONIBLE		
†	DISPONIBLE DANS LES QUINCAILLERIES LOCALES		



N° de réf.	Description	Numéro de pièce :	Qté
1	10 HP 341 LITRES (90 GAL)	AR028400CG	1
2	ROBINET DE VIDANGE 3/8	ST127700AV	1
3	BAGUE DE RACCORDEMENT HEXAGONAL RÉDUCTEUR DE TUYAU 0,375 DIA. EXT. 0,5 DIA. INT.	ST151200AV	1
4	SOUPAPE DE SÉCURITÉ 200 PSI	V-209000AV	1
5	BAGUE DE RACCORDEMENT HEXAGONAL RÉDUCTEUR DE TUYAU 0,25 DIA. EXT. 0,5 DIA. INT.	ST071428AV	2
6	RACCORD DU FLEXIBLE M/M MAMELON EN ACIER À FILETAGE NPT 1/4-18	HF002404AV	2
7	JAUGE	GA031900AV	1
8	TÉ 1/4 NPT	ST049900AV	1
9	CLAPET ANTI-RETOUR	CV003205AV	1
10	ÉVASEMENT DROIT 1/4TX1/8P	ST126210AV	1

**Pour commander des pièces détachées, composer le 1-800-Grainger
24 heures par jour – 365 jours par an**

Fournir les informations suivantes :

- Numéro de modèle
- Numéro de série (s'il y en a un)
- Description et numéro de pièce comme indiqué sur la liste des pièces

LISTE DES PIÈCES DÉTACHÉES POUR LES MODÈLE 35WC68

N° de réf.	Description	Numéro de pièce :	Qté
11	TUYAU COUDÉ 3/4 NPT	ST072231AV	3
12	TUBE DÉCHARGEUR	TF400600AP	1
13	MANOSTAT	CW207561AV	1
14	TUBE D'ÉCHAPPEMENT DU POSTREFROIDISSEUR AU RÉSERVOIR	CE008700AP	1
15	TUBE D'ÉCHAPPEMENT DU POSTREFROIDISSEUR À LA POMPE	CE008600AP	1
16	POMPE À DEUX PHASES	5Z405	1
17	CVTH 1/2-13 1,5 ZINC ACIER LG-CLAIR-GR2	+	5
18	RONDELLE-7/16-W-DIA. INT. 0,5 DIA. EXT. 1,25-ZINC CLAIR	ST070916AV	8
19	ÉCROU HEXAGONAL 1/2-13 -ZINC	+	4
20	MOTEUR WEG 10 HP 3PH	MC033700AV	1
21	CVTH 3/8-16 1,25 ZINC ACIER LG-CLAIR-GR2	ST070638AV	4
22	RONDELLE-3/8-W-DIA. INT. 0,438 DIA. EXT. 1-ZINC CLAIR	ST070914AV	8
23	RONDELLE DENTÉE EXT	ST146800AV	1
24	ÉCROU À EMBASE 3/8 PO-16	ST033500AV	4
25	SUPPORT DE PROTECTION DE COURROIE	TX034100KK	1
26	VIS AUTO-TARAUDEUSE À TÊTE HEXAGONALE N°1/4-20	ST074415AV	8
27	VOLANT EN FONTE DE 40 CM (16 PO)	PU016700AJ	1
28	CLAVETTE DU VOLANT	KE001310AV	1
29	RONDELLE	TX034600AV	1
30	RONDELLE -1/2-DIA. INT. 0,509 DIA. EXT. 0,873-ZINC MÉCANIQUE	+	1
31	POULIE	PU203300AV	1
32	BAGUE SK 1 3/8 - 5/16	PU203500AV	1
33	RONDELLE DE BLOCAGE POUR BAGUE DE POULIE	--	6
34	RONDELLE DE BLOCAGE POUR BAGUE DE POULIE	--	6
35	VIS DE PRESSION	--	1
36	CLAVETTE POUR POULIE	--	1
37	COURROIE EN V B82	BT011600AV	2
38	PLATEAU DE PROTECTEUR DE COURROIE	TR001901KK	1
39	SUPPORTS DE PROTECTEUR DE COURROIE	TX033000AV	2
40	VIS TARAUDEUSE N° 8 0,5 EN ZINC	ST073224AV	4
41	CVTH 5/16-18 1,25 ZINC ACIER LG-CLAIR-GR2	ST070628AV	2
42	RONDELLE-5/16-W-DIA. INT. 0,375 DIA. EXT. 0,875-ZINC CLAIR	ST070912AV	4
43	CONTRE-ÉCROU NOIR 5/16-18	ST146001AV	6
44	PROTECTEUR DE COURROIE	TR001800AV	1
45	RONDELLE 5/16 PO	ST011200AV	8
46	PROTECTEUR DE COURROIE DU POSTREFROIDISSEUR	CE000300AV	1
47	VIS, 5/16-18 X 3/4 HHD	ST016000AV	4
48	DÉMARREUR HORIZONTAL 10HP 3PH 230V	SA001200AJ	1
49	PLAQUE DE MONTAGE DU DÉMARREUR MAGNÉTIQUE	JQ150800AV	1
50	CVTH 1/4-20 1 LG-ACIER-NOIR-GR2	+	4
51	RONDELLE DENTÉE EXT	ST146800AV	1
52	RONDELLE-1/4-N-DIA. INT. 0,281 DIA. EXT. 0,625-ZINC CLAIR	ST070910AV	4
53	RONDELLE -1/4-DIA. INT. 0,255 DIA. EXT. 0,489-ZINC MÉCANIQUE	ST071023AV	4
54	ÉCROU HEXAGONAL 1/4-20 -ZINC	ST070711AV	4
--	NON DISPONIBLE		
+	DISPONIBLE DANS LES QUINCAILLERIES LOCALES		

GARANTIE LIMITÉE TROIS ANS FOURNIE PAR SPEEDAIRE

GARANTIE LIMITÉE TROIS ANS FOURNIE PAR SPEEDAIRE. Tous les modèles de produits Speedaire® couverts dans ce manuel sont garantis par Dayton Electric Mfg. Co. (« Dayton ») au premier utilisateur contre tout défaut de fabrication ou de matériau, dans des conditions d'utilisation normales durant un an à compter de la date d'achat. La pompe du compresseur et le filtre à air sont garantis pour trois ans à partir de la date d'achat. Si le produit Speedaire fait partie d'un ensemble, seul le composant du produit présentant un défaut est couvert par la présente garantie. Tout produit ou toute pièce présentant un défaut de fabrication ou de matériau et retourné(e) à un centre de service agréé désigné par Dayton ou par un représentant désigné de Dayton, port payé, sera à titre de recours exclusif, réparé(e) ou remplacé(e) par un produit neuf ou une pièce neuve, ou par un produit ou une pièce remis à neuf d'utilité égale, ou fera l'objet d'un remboursement intégral, au choix de Dayton ou d'un représentant désigné de Dayton, sans frais. Voir les procédures de réclamation sous garantie limitée sous la rubrique « Service de garantie » ci-après. La présente garantie est annulée en cas de preuve de mésusage, de réparation défectueuse, d'installation défectueuse, d'utilisation abusive ou de modification. La présente garantie ne couvre pas l'usure normale des produits Speedaire ou des composants de ces produits, ou des produits ou des composants de ces produits qui sont consommables lors d'une utilisation normale. La présente garantie limitée donne aux acheteurs des droits spécifiques et il est également possible de bénéficier d'autres droits qui varient selon les juridictions.

CLAUSES D'EXONÉRATION DE GARANTIE ET LIMITES DE RESPONSABILITÉ CONCERNANT TOUS LES CLIENTS POUR TOUS LES PRODUITS

LIMITES DE RESPONSABILITÉ. DANS LA MESURE PERMISE AU TITRE DE LA LOI APPLICABLE, DAYTON DÉCLINE EXPRESSÉMENT TOUTE RESPONSABILITÉ POUR TOUT DOMMAGE ACCESSOIRE ET INDIRECT. LA RESPONSABILITÉ DE DAYTON EST DANS TOUS LES CAS LIMITÉE ET NE SAURAIT DÉPASSER LE PRIX D'ACHAT.

CLAUDE D'EXONÉRATION DE GARANTIE. DE DILIGENTS EFFORTS ONT ÉTÉ FAITS POUR FOURNIR AVEC PRÉCISION LES INFORMATIONS ET ILLUSTRATIONS DES PRODUITS DÉCRITS DANS CETTE BROCHURE; CEPENDANT, DE TELLES INFORMATIONS ET ILLUSTRATIONS SONT POUR LA SEULE RAISON D'IDENTIFICATION, ET N'EXPRIMENT NI N'IMPLIQUENT QUE LES PRODUITS SPEEDAIRE SONT COMMERCIALISABLES, OU ADAPTABLES À UN BESOIN PARTICULIER, NI QUE CES PRODUITS SPEEDAIRE SONT NÉCESSAIREMENT CONFORMES AUX ILLUSTRATIONS OU DESCRIPTIONS FOURNIES. SAUF DISPOSITIONS CONTRAIRES CI-DESSOUS, AUCUNE GARANTIE OU AFFIRMATION DE FAIT, EXPRESSE OU IMPLICITE, AUTRE QUE CELLE ÉNONCÉE À LA RUBRIQUE « GARANTIE LIMITÉE » CI-DESSUS, N'EST FOURNIE OU AUTORISÉE PAR DAYTON.

CONFORMITÉ DU PRODUIT. DANS DE NOMBREUSES JURIDICTIONS, LES CODES ET LES RÈGLEMENTATIONS QUI RÉGISSENT LES VENTES, LA CONSTRUCTION, L'INSTALLATION ET/OU L'UTILISATION DE PRODUITS POUR CERTAINS USAGES PEUVENT ÊTRE DIFFÉRENTS DE CEUX DE RÉGIONS AVOISINANTES. BIEN QUE DAYTON SE SOIT EFFORCÉE DE RENDRE SES PRODUITS CONFORMES À CES CODES, LA SOCIÉTÉ NE PEUT EN GARANTIR LA CONFORMITÉ ET NE SAURAIT ÊTRE RESPONSABLE DE LA MANIÈRE DONT LES PRODUITS SONT INSTALLÉS OU UTILISÉS. AVANT D'ACHETER ET D'UTILISER UN PRODUIT, IL EST CONSEILLÉ D'ÉTUDE LES DIRECTIVES DE SÉCURITÉ/CARACTÉRISTIQUES TECHNIQUES AINSI QUE LES CODES ET RÈGLEMENTATIONS NATIONAUX ET LOCAUX APPLICABLES, ET DE S'ASSURER DE LA CONFORMITÉ À CES CODES DE CES PRODUITS SPEEDAIRE, DE LEUR INSTALLATION ET DE LEUR UTILISATION.

CONSOMMATEURS SEULEMENT. CERTAINS ASPECTS DES DÉNIS DE GARANTIE NE SONT PAS APPLICABLES AUX PRODUITS DE CONSOMMATION VENDUS AUX CONSOMMATEURS (A) CERTAINES JURIDICTIONS N'AUTORISENT PAS L'EXCLUSION OU LA LIMITATION DES DOMMAGES ACCESSOIRES OU INDIRECTS, DE SORTE QUE LA LIMITATION OU L'EXCLUSION SUSMENTIONNÉE PEUT NE PAS S'APPLIQUER À VOTRE CAS; (B) EN OUTRE, CERTAINES JURIDICTIONS N'AUTORISENT PAS DE LIMITE SUR LA DURÉE D'UNE GARANTIE IMPLICITE, PAR CONSÉQUENT LA LIMITE SUSMENTIONNÉE PEUT NE PAS S'APPLIQUER À VOTRE CAS; ET (C) EN VERTU DE LA LOI, DURANT LA PÉRIODE DE GARANTIE LIMITÉE, TOUTE GARANTIE IMPLICITE DE QUALITÉ MARCHANDE OU D'ADÉQUATION À UN USAGE PARTICULIER APPLICABLE AUX PRODUITS DE CONSOMMATION ACHETÉS PAR DES CONSOMMATEURS, EST SUSCEPTIBLE DE NE PAS POUVOIR ÊTRE EXCLUE OU AUTREMENT DÉNIÉE.

LA PRÉSENTE GARANTIE LIMITÉE S'APPLIQUE SEULEMENT AUX PRODUITS SPEEDAIRE ACHETÉS PAR DES ACHETEURS AUX ÉTATS-UNIS POUR UNE LIVRAISON À L'INTÉRIEUR DES ÉTATS-UNIS.

SERVICE DE GARANTIE

Pour obtenir le service de garantie si le produit couvert a été acheté directement auprès de W.W. Grainger, Inc. (« Grainger »), (i) écrire, téléphoner à la succursale ou visiter la succursale locale de Grainger auprès de laquelle le produit a été acheté ou une autre succursale de Grainger à proximité (consulter le site www.grainger.com pour obtenir la liste des succursales de Grainger); ou (ii) communiquer avec Grainger en se rendant sur le site www.grainger.com et en cliquant sur le lien « Contact Us » en haut de la page, puis sur le lien « Email us »; ou (iii) appeler le service clientèle (sans frais) en composant le 1-888-361-8649. Pour obtenir le service de garantie si le produit couvert a été acheté auprès d'un autre distributeur ou d'un autre détaillant, (i) se rendre sur le site www.grainger.com pour obtenir le service de garantie; (ii) écrire, téléphoner à une succursale ou visiter une succursale de Grainger à proximité; ou (iii) appeler le service clientèle (sans frais) en composant le 1-888-361-8649. Dans tous les cas, il sera nécessaire de fournir dans la mesure du possible, la date d'achat, le numéro d'origine de la facture, le numéro de stock, une description du défaut et tout autre élément spécifié en vertu de la présente garantie limitée trois ans de Speedaire. Il sera peut-être exigé de renvoyer le produit moyennant certains frais pour qu'il soit vérifié. Il est possible d'obtenir un suivi quant aux vérifications et aux modifications en cours par les moyens indiqués. Le titre et le risque de perte passe de l'acheteur au transporteur public lors de la livraison, par conséquent si le produit est endommagé pendant son transport, toute réclamation doit être déposée auprès du transporteur, et non pas auprès du détaillant, Grainger ou Dayton. Pour toute information sur la garantie concernant les acheteurs et/ou une livraison à l'extérieur des États-Unis, veuillez prendre contact avec :

Dayton Electric Mfg. Co.,
100 Grainger Parkway, Lake Forest, IL 60045 États-Unis
ou composer le +1-888-361-8649