

IFN06400

## Para Ordenar Repuestos, Sírvase llamar al distribuidor de Campbell Hausfeld más cercano a su domicilio

Sírvase darnos la siguiente información

- Número del modelo
- Código de fecha (de haberlo)
- Descripción y número del repuesto según la lista de repuestos

Puede escribirnos a:  
Campbell Hausfeld  
100 Production Drive  
Harrison, OH 45030

| No. de Ref | Descripción                         | Número de Repuesto | Ctd |
|------------|-------------------------------------|--------------------|-----|
| 1          | Tuerca del deflector de aire        | +                  | 1   |
| 2          | Deflector de aire                   | +                  | 1   |
| 3          | Sello de salida                     | □                  | 1   |
| 4          | Perno - M5 x 25                     | ◇                  | 9   |
| 5          | Arandela de seguridad - M5          | ◇                  | 11  |
| 6          | Cubierta de cabeza                  | +                  | 1   |
| 7          | Anillo en O                         | ◆ □                | 1   |
| 8          | Resorte de la válvula del cabezal   | ◆                  | 1   |
| 9          | Anillo en O                         | ◆ □                | 1   |
| 10         | Anillo en O                         | ◆ □                | 1   |
| 11         | Anillo en O                         | ◆ □                | 1   |
| 12         | Válvula de la culata                | ◆                  | 1   |
| 13         | Anillo en O                         | □                  | 1   |
| 14         | Collar *                            | SV601800AV         | 1   |
| 15         | Anillo en O                         | □                  | 1   |
| 16         | Anillo en O                         | □                  | 1   |
| 17         | Cilindro *                          | SV602100AV         | 1   |
| 18         | Anillo en O                         | ◆ □                | 1   |
| 19         | Pistón del impulsor                 | ●                  | 1   |
| 20         | Defensa                             | SV602400AV         | 1   |
| 21         | Boquilla *                          | SV602500AV         | 1   |
| 22         | Junta del cabezal                   | □                  | 1   |
| 23         | Cuerpo                              | +                  | 1   |
| 24         | Anillo en O                         | ■ □                | 1   |
| 25         | Anillo en O                         | ■ □                | 1   |
| 26         | Cuerpo de la válvula superior*      | SV603000AV         | 1   |
| 27         | Anillo en O                         | ■ □                | 1   |
| 28         | Anillo en O                         | ■ □                | 1   |
| 29         | Anillo en O                         | ■ □                | 1   |
| 30         | Válvula de doble efecto *           | SV603400AV         | 1   |
| 31         | Resorte de la válvula del gatillo   | ■                  | 1   |
| 32         | Anillo en O                         | ■ □                | 2   |
| 33         | Vástago de la válvula del gatillo * | SV603700AV         | 1   |
| 34         | Anillo en O                         | ■ □                | 1   |
| 35         | Cuerpo de la válvula inferior*      | SV603900AV         | 1   |
| 36         | Pasador - C3 x 17                   | ▼ ◇                | 1   |
| 37         | Gatillo                             | ▼                  | 1   |
| 38         | Gatillo interior                    | ▼                  | 1   |
| 39         | Pasador del gatillo                 | ▼                  | 1   |
| 40         | Anillo en O                         | ▼                  | 1   |
| 41         | Pasador                             | ◇                  | 2   |
| 42         | Guía del elemento de contacto *     | SV604600AV         | 1   |
| 43         | Pasador *                           | SV604700AV         | 1   |
| 44         | Retén a presión                     | ◇                  | 1   |
| 45         | Pasador director *                  | SV604900AV         | 1   |
| 46         | Elemento de contacto superior *     | SV605000AV         | 1   |
| 47         | Ruedecilla *                        | SV605100AV         | 1   |
| 48         | Resorte                             | +                  | 1   |
| 49         | Cójinete de bolas                   | +                  | 1   |
| 50         | Elemento de contacto inferior *     | SV605400AV         | 1   |

| No. de Ref | Descripción                               | Número de Repuesto | Ctd |
|------------|---|--------------------|-----|
| 51         | Perno - M4 x 4                            | ◇                  | 1   |
| 52         | Placade la guía de clavos *               | SV605600AV         | 1   |
| 53         | Resorte la guía de clavos *               | SV605700AV         | 1   |
| 54         | Guía de los clavos *                      | SV605800AV         | 1   |
| 55         | Guía del impulsor                         | SV605900AV         | 1   |
| 56         | Separador *                               | SV606000AV         | 1   |
| 57         | Retén a presión                           | ◇                  | 1   |
| 58         | Pasador de la boquilla                    | SV606200AV         | 1   |
| 59         | Guía de impulsión superior                | SV606300AV         | 1   |
| 60         | Perno                                     | SV606400AV         | 2   |
| 61         | Seguro de liberación                      | SV606500AV         | 2   |
| 62         | Perno *                                   | SV606600AV         | 2   |
| 63         | Retén a presión                           | ▲                  | 1   |
| 64         | Pasador                                   | ▲                  | 1   |
| 65         | Perno - M4 x 10                           | ◇                  | 1   |
| 66         | Resortes de la boquilla de despeje rápido | SV607000AV         | 2   |
| 67         | Guía de la cabeza del clavo *             | SV607100AV         | 2   |
| 68         | Cargador                                  | +                  | 1   |
| 69         | Tuerca de seguridad                       | ◇                  | 3   |
| 70         | Perno - M3 x 6                            | ▲ ◇                | 2   |
| 71         | Pasador - M3 x 16                         | ▲ ◇                | 1   |
| 72         | Tope del extremo del cargador             | ▲                  | 1   |
| 73         | Resorte de banda                          | ▲                  | 1   |
| 74         | Impulsor                                  | ▲                  | 1   |
| 75         | Separador *                               | SV607900AV         | 1   |
| 76         | Seguro de liberación * de impulsor        | SV608000AV         | 1   |
| 77         | Perno - M4 x 10                           | ◇                  | 2   |
| 78         | Perno - M6 x 20                           | ◇                  | 1   |
| 79         | Placa de soporte *                        | SV608300AV         | 1   |
| 80         | Arandela                                  | ◇                  | 1   |
| 81         | Soporte del cargador *                    | SV608500AV         | 1   |
| 82         | Tuerca a prueba de vibración - M6         | ◇                  | 1   |
| 83         | Tapa de la tapa de entrada                | □                  | 1   |
| 84         | Tapa de entrada *                         | SV608900AV         | 1   |
| 85         | Álabe del impulsor                        | ●                  | 1   |
| 86         | Tuerca de seguridad                       | ◇                  | 2   |
| 87         | Boquilla que no deja marcas               | SV609300AV         | 2   |
|            | Etiqueta autoadhesiva de seguridad        | DK750600AV         | 1   |

### REPLACEMENT PARTS KITS

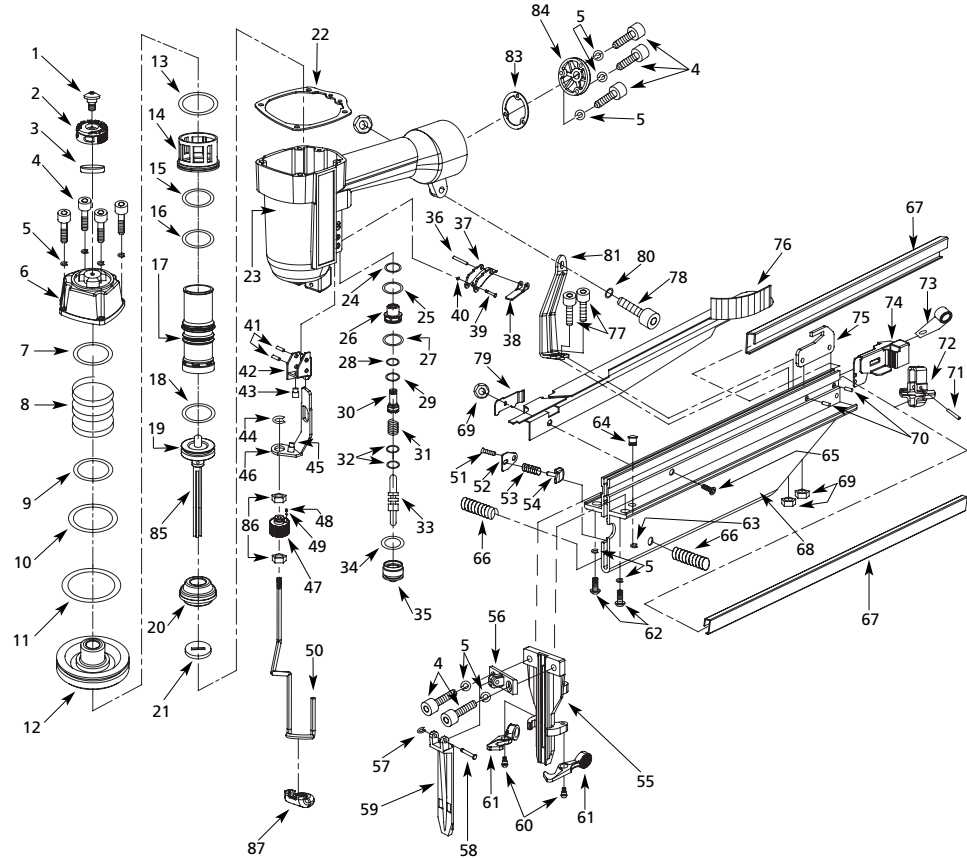
|   |   |            |
|---|---|------------|
| ▲ | Ensamblaje del disparador                             | SKN03900AV |
| ■ | Juego de anillos en o de la válvula del gatillo       | SKN04000AV |
| ● | Juego de piezas del impulsor                          | SKN04100AV |
| ◆ | Ensamblaje válvula de la culata                       | SKN04200AV |
| ▼ | Ensamblaje del gatillo                                | SKN04300AV |
| □ | Juego completo de anillos en O                        | SKN04400AV |
| ◇ | Artículo disponible en ferreterías locales.           |            |
| + | No disponible   |            |
| * | Este pedido requiere un aviso previo de 6 a 8 semanas |            |



## 2 1/2" Finish Nailer 6,4 cm Cloveuse Pour Finition 6,4 cm Clavadora Para Acabado

Replacement Parts List, Liste de Pièces de Rechange, Lista de Repuestos

IFN06400



© 2006 Campbell Hausfeld/Scott Fetzer

For parts, product & service information visit [www.chpower.com](http://www.chpower.com)

IN712600AV 2/06

## For Replacement Parts, Call 1-800-543-6400

Please provide following information:

- Model number
- Date code (if any)
- Part descriptions and number as shown in parts list

Address parts correspondence to:

Campbell Hausfeld  
100 Production Drive  
Harrison, OH 45030

| Ref. No. | Description          | Part Number | Qty |
|----------|----------------------|-------------|-----|
| 1        | Air deflector bolt   | +           | 1   |
| 2        | Air deflector        | +           | 1   |
| 3        | Exhaust seal         | □           | 1   |
| 4        | Bolt - M5 x 25       | ◇           | 9   |
| 5        | Lock washer - M5     | ◇           | 11  |
| 6        | Head cap             | +           | 1   |
| 7        | O-ring               | ◆□          | 1   |
| 8        | Head valve spring    | ◆           | 1   |
| 9        | O-ring               | ◆□          | 1   |
| 10       | O-ring               | ◆□          | 1   |
| 11       | O-ring               | ◆□          | 1   |
| 12       | Head valve           | ◆           | 1   |
| 13       | O-ring               | □           | 1   |
| 14       | Collar *             | SV601800AV  | 1   |
| 15       | O-ring               | □           | 1   |
| 16       | O-ring               | □           | 1   |
| 17       | Cylinder *           | SV602100AV  | 1   |
| 18       | O-ring               | ●□          | 1   |
| 19       | Driver piston        | ●           | 1   |
| 20       | Bumper               | SV602400AV  | 1   |
| 21       | Nozzle *             | SV602500AV  | 1   |
| 22       | Head gasket          | □           | 1   |
| 23       | Body                 | +           | 1   |
| 24       | O-ring               | ■□          | 1   |
| 25       | O-ring               | ■□          | 1   |
| 26       | Upper valve body *   | SV603000AV  | 1   |
| 27       | O-ring               | ■□          | 1   |
| 28       | O-ring               | ■□          | 1   |
| 29       | O-ring               | ■□          | 1   |
| 30       | Shuttle valve *      | SV603400AV  | 1   |
| 31       | Trigger valve spring | ■           | 1   |
| 32       | O-ring               | ■□          | 2   |
| 33       | Trigger valve stem * | SV603700AV  | 1   |
| 34       | O-ring               | ■□          | 1   |
| 35       | Lower valve body *   | SV603900AV  | 1   |
| 36       | Roll pin - C3 x 17   | ▼◇          | 1   |
| 37       | Trigger              | ▼           | 1   |
| 38       | Inner trigger        | ▼           | 1   |
| 39       | Trigger pin          | ▼           | 1   |
| 40       | O-ring               | ▼           | 1   |
| 41       | Roll pin             | ◇           | 2   |
| 42       | WCE guide *          | SV604600AV  | 1   |
| 43       | Pin *                | SV604700AV  | 1   |
| 44       | Snap retainer        | ◇           | 1   |
| 45       | Director pin *       | SV604900AV  | 1   |
| 46       | Upper WCE *          | SV605000AV  | 1   |
| 47       | Thumb wheel *        | SV605100AV  | 1   |
| 48       | Spring               | +           | 1   |
| 49       | Ball bearing         | +           | 1   |
| 50       | Lower WCE *          | SV605400AV  | 1   |

| Ref. No.                      | Description                                       | Part Number | Qty |
|-------------------------------|---|-------------|-----|
| 51                            | Bolt - M4 x 4                                     | ◇           | 1   |
| 52                            | Nail guide plate *                                | SV605600AV  | 1   |
| 53                            | Nail guide spring *                               | SV605700AV  | 1   |
| 54                            | Nail guide *                                      | SV605800AV  | 1   |
| 55                            | Driver guide                                      | SV605900AV  | 1   |
| 56                            | Spacer *  | SV606000AV  | 1   |
| 57                            | Snap retainer                                     | ◇           | 1   |
| 58                            | Nose pin  | SV606200AV  | 1   |
| 59                            | Upper driver guide                                | SV606300AV  | 1   |
| 60                            | Bolt  | SV606400AV  | 2   |
| 61                            | Release latch                                     | SV606500AV  | 2   |
| 62                            | Bolt *  | SV606600AV  | 2   |
| 63                            | Snap retainer                                     | ▲           | 1   |
| 64                            | Pin   | ▲           | 1   |
| 65                            | Bolt - M4 x 10                                    | ◇           | 1   |
| 66                            | Quick clear nose springs                          | SV607000AV  | 2   |
| 67                            | Nail head guide *                                 | SV607100AV  | 2   |
| 68                            | Magazine  | +           | 1   |
| 69                            | Lock Nut  | ◇           | 3   |
| 70                            | Bolt - M3 x 6                                     | ▲◇          | 2   |
| 71                            | Roll pin - M3 x 16                                | ▲◇          | 1   |
| 72                            | Magazine end bumper                               | ▲           | 1   |
| 73                            | Ribbon Spring                                     | ▲           | 1   |
| 74                            | Pusher  | ▲           | 1   |
| 75                            | Spacer *  | SV607900AV  | 1   |
| 76                            | Pusher latch release *                            | SV608000AV  | 1   |
| 77                            | Bolt - M4 x 10                                    | ◇           | 2   |
| 78                            | Bolt - M6 x 20                                    | ◇           | 1   |
| 79                            | Support plate *                                   | SV608300AV  | 1   |
| 80                            | Washer  | ◇           | 1   |
| 81                            | Leg hanger *                                      | SV608500AV  | 1   |
| 82                            | Vibration proof nut - M6                          | ◇           | 1   |
| 83                            | Inlet cap gasket                                  | □           | 1   |
| 84                            | Inlet cap *                                       | SV608900AV  | 1   |
| 85                            | Driver blade                                      | ●           | 1   |
| 86                            | Lock Nuts   | ◇           | 2   |
| 87                            | No-mar tips                                       | SV609300AV  | 2   |
|                               | Safety Decal                                      | DK750600AV  | 1   |
| <b>REPLACEMENT PARTS KITS</b> |   |             |     |
| ▲                             | Pusher assembly                                   | SKN03900AV  |     |
| ■                             | Trigger valve o-ring kit                          | SKN04000AV  |     |
| ●                             | Driver kit  | SKN04100AV  |     |
| ◆                             | Head valve assembly                               | SKN04200AV  |     |
| ▼                             | Trigger assembly                                  | SKN04300AV  |     |
| □                             | Complete o-ring kit                               | SKN04400AV  |     |
| ◇                             | Item available at local hardware store.           |             |     |
| +                             | Not Available                                     |             |     |
| *                             | Required 6 - 8 week lead time necessary for order |             |     |

## Pour Pièces De Rechange, Appeler 1-800-543-6400

S'il vous plaît fournir l'information suivant:

- Numéro du modèle
- Code de date (si présent)
- Description de la pièce et son numéro sur la liste

Correspondance:

Campbell Hausfeld  
100 Production Drive  
Harrison, OH 45030

| N° de Réf | Description                      | Numéro De Pièce | Qté |
|-----------|----------------------------------|-----------------|-----|
| 1         | Boulon de déflecteur d'air       | +               | 1   |
| 2         | Déflecteur d'air                 | +               | 1   |
| 3         | Garniture étanche d'échappement  | □               | 1   |
| 4         | Boulon - M5 x 25                 | ◇               | 9   |
| 5         | Rondelle de blocage - M5         | ◇               | 11  |
| 6         | Chapeau de tête                  | SV601000AV      | 1   |
| 7         | Joint torique                    | ◆□              | 1   |
| 8         | Ressort de soupape de tête       | ◆               | 1   |
| 9         | Joint torique                    | ◆□              | 1   |
| 10        | Joint torique                    | ◆□              | 1   |
| 11        | Joint torique                    | ◆□              | 1   |
| 12        | Clapet de tête                   | ◆               | 1   |
| 13        | Joint torique                    | □               | 1   |
| 14        | Collier *                        | SV601800AV      | 1   |
| 15        | Joint torique                    | □               | 1   |
| 16        | Joint torique                    | □               | 1   |
| 17        | Cylindre *                       | SV602100AV      | 1   |
| 18        | Joint torique                    | ●□              | 1   |
| 19        | Piston d'entraînement            | ●               | 1   |
| 20        | Pare-chocs                       | SV602400AV      | 1   |
| 21        | Buse *                           | SV602500AV      | 1   |
| 22        | Joint d'étanchéité de tête       | □               | 1   |
| 23        | Corps                            | +               | 1   |
| 24        | Joint torique                    | ■□              | 1   |
| 25        | Joint torique                    | ■□              | 1   |
| 26        | Corps de soupape supérieur *     | SV603000AV      | 1   |
| 27        | Joint torique                    | ■□              | 1   |
| 28        | Joint torique                    | ■□              | 1   |
| 29        | Joint torique                    | ■□              | 1   |
| 30        | Clapet *                         | SV603400AV      | 1   |
| 31        | Ressort de soupape de gâchette   | ■               | 1   |
| 32        | Joint torique                    | ■□              | 2   |
| 33        | Tige de soupape de gâchette*     | SV603700AV      | 1   |
| 34        | Joint torique                    | ■□              | 1   |
| 35        | Corps de soupape inférieur *     | SV603900AV      | 1   |
| 36        | Goupille-ressort - C3 x 17       | ▼◇              | 1   |
| 37        | Gâchette                         | ▼               | 1   |
| 38        | Gâchette intérieure              | ▼               | 1   |
| 39        | Goupille de gâchette             | ▼               | 1   |
| 40        | Joint torique                    | ▼               | 1   |
| 41        | Goupille-ressort                 | ◇               | 2   |
| 42        | Guide de pointe de contact *     | SV604600AV      | 1   |
| 43        | Goupille *                       | SV604700AV      | 1   |
| 44        | Dispositif de retenue de blocage | ◇               | 1   |
| 45        | Goupille directeur *             | SV604900AV      | 1   |
| 46        | Pointe de contact supérieur *    | SV605000AV      | 1   |
| 47        | Molette *                        | SV605100AV      | 1   |
| 48        | Ressort                          | +               | 1   |
| 49        | Roulement à billes               | +               | 1   |
| 50        | Pointe de contact inférieur *    | SV605400AV      | 1   |
| 51        | Boulon - M4 x 4                  | ◇               | 1   |
| 52        | Plaque de guide de clou *        | SV605600AV      | 1   |

| N° de Réf | Description                          | Numéro De Pièce | Qté |
|-----------|--------------------------------------|-----------------|-----|
| 53        | Ressort de guide de clou *           | SV605700AV      | 1   |
| 54        | Guide de clous *                     | SV605800AV      | 1   |
| 55        | Guide de chasse                      | SV605900AV      | 1   |
| 56        | Entretoise *                         | SV606000AV      | 1   |
| 57        | Dispositif de retenue à ergot        | ◇               | 1   |
| 58        | Goupille de buse                     | SV606200AV      | 1   |
| 59        | Guide d'entraînement supérieur       | SV606300AV      | 1   |
| 60        | Boulon                               | SV606400AV      | 2   |
| 61        | Loquet de dégagement                 | SV606500AV      | 2   |
| 62        | Boulon *                             | SV606600AV      | 2   |
| 63        | Dispositif de retenue à ergot        | ▲               | 1   |
| 64        | Goupille                             | ▲               | 1   |
| 65        | Boulon - M4 x 10                     | ◇               | 1   |
| 66        | Ressorts de buse à dégagement rapide | SV607000AV      | 2   |
| 67        | Guide de tête de clou *              | SV607100AV      | 2   |
| 68        | Chargeur                             | +               | 1   |
| 69        | Écrou de serrage                     | ◇               | 3   |
| 70        | Boulon - M3 x 6                      | ▲◇              | 2   |
| 71        | Goupille-ressort - M3 x 16           | ▲◇              | 1   |
| 72        | Butée d'extrémité du chargeur        | ▲               | 1   |
| 73        | Ressort à ruban                      | ▲               | 1   |
| 74        | Poussoir                             | ▲               | 1   |
| 75        | Entretoise *                         | SV607900AV      | 1   |
| 76        | Dégagement de verrou à poussoir *    | SV608000AV      | 1   |
| 77        | Boulon - M4 x 10                     | ◇               | 2   |
| 78        | Boulon - M6 x 20                     | ◇               | 1   |
| 79        | Plaque de support *                  | SV608300AV      | 1   |
| 80        | Rondelle                             | ◇               | 1   |
| 81        | Crochet de pied *                    | SV608500AV      | 1   |
| 82        | Écrou d'épreuve de vibrations- M6    | ◇               | 1   |
| 83        | Joint de chapeau d'entrée            | □               | 1   |
| 84        | Chapeau d'entrée *                   | SV608900AV      | 1   |
| 85        | Lame d'entraînement                  | ●               | 1   |
| 86        | Écrou de serrage                     | ◇               | 2   |
| 87        | Tête non-marquante                   | SV609300AV      | 2   |
|           | Décalque de sécurité                 | DK750600AV      | 1   |

### REPLACEMENT PARTS KITS

|   |   |            |
|---|---|------------|
| ▲ | Poussoir équipé                                     | SKN03900AV |
| ■ | Trousse de joint torique de soupape de gâchette     | SKN04000AV |
| ● | Nécessaire d'appareil de chasse                     | SKN04100AV |
| ◆ | Clapet de tête équipé                               | SKN04200AV |
| ▼ | Gâchette équipée                                    | SKN04300AV |
| □ | Nécessaire complet de joints toriques               | SKN04400AV |
| ◇ | Article disponible chez votre quincaillerie locale. |            |
| + | Pas disponible                                      |            |
| * | Cette commande exige un préavis de 6 à 8 semaines   |            |