

Please read and save these instructions. Read carefully before attempting to assemble, install, operate or maintain the product described. Protect yourself and others by observing all safety information. Failure to comply with instructions could result in personal injury and/or property damage! Retain instructions for future reference.



**CAMPBELL
HAUSFELD®**

Sanders

REGISTER YOUR PRODUCT ONLINE NOW!

<http://www.chpower.net/reg>

Description

Sanders are air tools designed for automotive applications on both flat and contour surfaces.

Unpacking

When unpacking this product, carefully inspect for any damage that may have occurred during transit.

General Safety Information

CALIFORNIA PROPOSITION 65

⚠ DANGER You can create



dust when you cut, sand, drill or grind materials such as wood, paint, metal, concrete, cement, or other masonry. This dust often contains chemicals known to cause cancer, birth defects, or other reproductive harm. Wear protective gear.

This manual contains information that is very important to know and understand. This information is provided for SAFETY and to PREVENT EQUIPMENT PROBLEMS. To help recognize this information, observe the following symbols.

⚠ DANGER Danger indicates an imminent hazardous situation which, if not avoided, WILL result in death or serious injury.

⚠ WARNING Warning indicates a potentially hazardous situation which, if not avoided, COULD result in death or serious injury.

⚠ CAUTION Caution indicates a potentially hazardous situation which, if not avoided, MAY result in minor or moderate injury.

NOTICE Notice indicates important information, that if not followed, may cause damage to equipment.

This product is a part of a high pressure system and the following safety precautions must be followed at all times along with any other existing safety rules.

1. Read all manuals included with this product carefully. Be thoroughly familiar with the controls and the proper use of the equipment.



2. Only persons well acquainted with these rules of safe operation should be allowed to use the air tool.

⚠ CAUTION Do

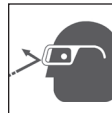
not exceed the maximum operating pressure of the air tool (90 PSI). This can reduce the life of the tool.



3. Do not exceed any pressure rating of any component in the system. Maximum operating pressure of 90 PSI is measured at the tool inlet while the tool is running. The pressure drop between the compressor and tool needs to be compensated for at the compressor.

4. Disconnect the air tool from air supply before changing tools or attachments, servicing and during non-operation.

⚠ WARNING Safety glasses and ear protection must be worn during operation.



5. Do not wear loose fitting clothing, scarves, or neck ties in work area. Loose clothing may become caught in moving parts and result in serious personal injury.

6. Do not wear jewelry when operating any tool. Jewelry may become caught in moving parts and result in serious personal injury.

7. Do not depress trigger when connecting the air supply hose.

8. Always use attachments designed for use with air powered tools. Do not use damaged or worn attachments.
9. Never trigger the tool when not applied to a work object. Attachments must be securely attached. Loose attachments can cause serious injury.
10. Protect air lines from damage or puncture.
11. Never point an air tool at oneself or any other person. Serious injury could occur.
12. Check air hoses for weak or worn conditions before each use. Make sure all connections are secure.

⚠ WARNING Release all pressure from the system before attempting to install, service, relocate or perform any maintenance.



13. Keep all nuts, bolts and screws tight and ensure equipment is in safe working condition.
14. Do not put hands near or under moving parts.
15. Always secure workpiece in a vise or clamp.



⚠ WARNING Do not misuse this product. Excessive exposure to vibration, work in awkward positions, and repetitive work motions can cause injury to hands and arms. Stop using any tool if discomfort, numbness, tingling, or pain occur, and consult a physician.

Operation

LUBRICATION

Proper lubrication is the owner's responsibility. Failure to lubricate the air tool properly will dramatically shorten the life of the tool and will void the warranty.

REMINDER: Keep your dated proof of purchase for warranty purposes! Attach it to this manual or file it for safekeeping.

Operation (Continued)

CAUTION *This air tool requires lubrication before the initial use and before and after each additional use.*

Air tools require lubrication throughout the life of the tool. Follow the outlined procedures carefully. Campbell Hausfeld air tool oil (ST1270) is recommended because this oil cleans, lubricates and inhibits rust all in one step.

AIR MOTOR LUBRICATION

The air motor must be lubricated **daily**. An air motor cannot be oiled too often.

WARNING *Disconnect the air tool from the air supply before lubricating.*

1. Disconnect the tool from the air supply.
2. Turn the air tool upside down.
3. Simultaneously (at the same time), pull the trigger and pour a teaspoon of Campbell Hausfeld oil in the air inlet.

WARNING *After an air tool has been lubricated, oil will discharge through the exhaust port during the first few seconds of operation. Thus, the ex-haust port must be covered with a towel before applying air pressure. Failure to cover the exhaust port can result in serious injury.*

4. Release the trigger and connect the air tool to the air supply. Cover the exhaust port with a towel then run the air tool for 7 to 10 seconds. Oil will discharge from the exhaust port when air pressure is applied. Continue to run the sander until no oil is discharged. Wipe all residual oil from the tool before use.

SPEED ADJUSTMENT

This sander is equipped with a regulator for speed adjustment (See Replacement Parts List for Specifications).

ATTACHING SANDING PAD/DUAL ACTION SANDERS

Adhesive backed discs are recommended. To apply the sandpaper, align outside edge and press self adhesive paper onto the pad. Change sandpaper as needed.

WARNING *Disconnect the air tool from the air supply before attaching the sanding pad. Do not operate the sander if sanding pad is not securely tightened. Always replace a worn or damaged pad. Serious injury could occur.*

1. Lock the drive spindle in place before attaching the sanding pad. Rotate the spindle lock until the spindle lock engages with the drive spindle and hand-tighten the sanding pad in a clockwise direction (See Figure 1).

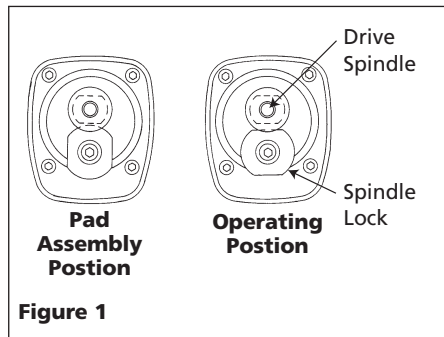


Figure 1

2. Unlock the spindle before applying air pressure.

NOTE: The spindle lock is for attaching and removing the sanding pad only! Do not operate the tool with the spindle locked or the sander will stall when pressure is applied to the pad.

ATTACHING SANDING DISCS/HIGH SPEED SANDERS

3" or 6" resin discs with non-adhesive backs are recommended. The discs should have 7/8" diameter cutout centers for proper attachment. For best support when using discs larger than 3", use all the backup pads of equal size or smaller than the resin disc itself (See Fig. 2). To install the resin disc, follow the outlined procedures.

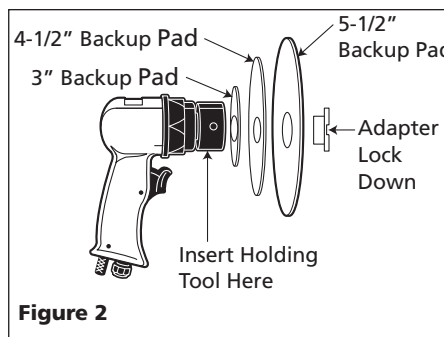


Figure 2

WARNING *Disconnect the air tool from the air supply before attaching the sanding disc. Do not operate the sander if sanding disc is not securely tightened or serious injury could occur.*

1. Assemble the backup pads as shown in Figure 2. Make sure the recessed center of the pads face the sander.

2. Place the resin disc in front of the appropriate size pad and push the adapter lock down through the center of the pad and discs.
3. Hand tighten the adapter lockdown, then insert the holding tool into the hole shown in Figure 2. Insert a large screwdriver into the slotted hole on the adapter lock down and securely tighten.

DUAL ACTION SANDERS

Begin sanding with an abrasive grit coarse enough to remove the high spots and any excessive roughness. Follow with a second sandpaper using a grit one to two ranges finer. Continue with successively finer grits until the desired finish is obtained. Do not change from a coarse grit to a very fine grit in one step. In doing so, it is difficult to remove swirl marks that might have been made by the coarse grit abrasive. Always use the finest grit practical for the sanding operation.

HIGH SPEED SANDERS

The coarse resin disc is used for removing or smoothing over welds or blending uneven metal surfaces. The most common grit is 36 (Campbell Hausfeld MP3264 discs).

WARNING *Worn or damaged sanding discs may break apart causing serious injury. Always replace discs as needed.*

AIR HOSE

Refer to IN170102AV Air Hose Hookup Installation sheet for hookup specifications.

NOTE: It is not recommended to install a quick coupler between the sander and the leader (whip) hose.

WARNING *Use of a whip hose prevents accidental triggering of the tool when pressurized air is connected to the system.*

In addition, the tool's vibration wears out quick couplers prematurely.

Operation (Continued)

Using fittings or air hoses which are too small can create a pressure drop and reduce the power of the tool. A 3/8" (I.D.) fitting with 1/4" NPT threads is recommended. Most compressors are shipped with a short, 1/4" I.D. hose. For proper performance and more convenience, use a 3/8" I.D. hose. Hoses longer than 50 feet should have a 1/2" I.D.

⚠ WARNING *Never carry a tool by the hose or pull the hose to move the tool or a compressor. Keep hoses away from heat, oil and sharp edges. Replace any hose that is damaged, weak or worn.*

Maintenance

STORAGE

The air tool must be lubricated before storing. Follow the air motor lubrication instructions with an exception to step 4. Run the sander for only 2 to 3 seconds so more oil will remain in the air tool when storing.

TECHNICAL SERVICE

For information regarding the operation or repair of this product, please call 1-800-543-6400.

Troubleshooting Chart

Symptom	Possible Cause(s)	Corrective Action
Tool runs slowly or will not operate.	1. Grit or gum in tool	1. Flush the tool with Campbell Hausfeld air tool oil, gum solvent, or an equal mixture of SAE 10 motor oil and kerosene. If Campbell Hausfeld oil is not used, lubricate the tool after cleaning
	2. No oil in tool	2. Lubricate the tool according to the lubrication instructions in this manual
	3. Low air pressure	3a. Adjust the regulator on the tool to the maximum setting (If applicable)
		3b. Adjust the compressor regulator to tool maximum while the tool is running free
	4. Air hose leaks	4. Tighten and seal hose fittings if leaks are found
	5. Pressure drops	5a. Be sure the hose is the proper size. Long hoses or tools using large volumes of air may require a hose with an I.D. of 1/2" or larger depending on the total length of the hose
5b. Do not use multiple number of hoses connected together with quick connect fittings. This causes additional pressure drops and reduces the tool power. Directly connect the hoses together		
Moisture blowing out of tool	6. Regulator set too low	6. Adjust regulator until tool reaches maximum speed
	1. Water in tank	1. Drain tank. (See air compressor manual). Oil tool and run until no water is evident. Oil tool again and run 1-2 seconds
Sander stops when applied to work surface	2. Water in the air lines/hoses	2a. Install a water separator/filter (PA2121). NOTE: Separators only work properly when the air passing through the separator is cool. Locate the separator/filter as far as possible from the compressor
		2b. Install an air dryer
		2c. Anytime water enters the tool, the tool should be oiled immediately
Sander stops when applied to work surface	Spindle lock is in the locked position	Unlock spindle (See Figure 1)

Limited Warranty

1. **DURATION:** From the date of purchase by the original purchaser as follows: One (1) Year.
2. **WHO GIVES THIS WARRANTY (WARRANTOR):** Campbell Hausfeld / Scott Fetzer Company, 100 Production Drive, Harrison, Ohio, 45030, Telephone: (800) 543-6400.
3. **WHO RECEIVES THIS WARRANTY (PURCHASER):** The original purchaser (other than for purposes of resale) of the Campbell Hausfeld product.
4. **WHAT PRODUCTS ARE COVERED BY THIS WARRANTY:** This Campbell Hausfeld air tool.
5. **WHAT IS COVERED UNDER THIS WARRANTY:** Substantial defects in material and workmanship which occur within the duration of the warranty period with the exceptions below.
6. **WHAT IS NOT COVERED UNDER THIS WARRANTY:**
 - A. Implied warranties, including those of merchantability and FITNESS FOR A PARTICULAR PURPOSE ARE LIMITED FROM THE DATE OF ORIGINAL PURCHASE AS STATED IN THE DURATION. If this product is used for commercial, industrial or rental purposes, the warranty will apply for ninety (90) days from the date of purchase. Some States do not allow limitation on how long an implied warranty lasts, so the above limitations may not apply to you.
 - B. ANY INCIDENTAL, INDIRECT, OR CONSEQUENTIAL LOSS, DAMAGE, OR EXPENSE THAT MAY RESULT FROM ANY DEFECT, FAILURE, OR MALFUNCTION OF THE CAMPBELL HAUSFELD PRODUCT. Some States do not allow the exclusion or limitation of incidental or consequential damages, so the above limitation or exclusion may not apply to you.
 - C. Any failure that results from an accident, purchaser's abuse, neglect or failure to operate products in accordance with instructions provided in the owner's manual(s) supplied with product. Accident, purchaser's abuse, neglect or failure to operate products in accordance with instructions shall also include the removal or alteration of any safety devices. If such safety devices are removed or altered, this warranty is void.
 - D. Normal adjustments which are explained in the owner's manual(s) provided with the product.
 - E. Items or service that are normally required to maintain the product.
7. **RESPONSIBILITIES OF WARRANTOR UNDER THIS WARRANTY:** Repair or replace, at Warrantor's option, products or components which are defective, have malfunctioned and/or failed to conform within the duration of the specific warranty period.
8. **RESPONSIBILITIES OF PURCHASER UNDER THIS WARRANTY:**
 - A. Provide dated proof of purchase and maintenance records.
 - B. Call Campbell Hausfeld (800) 543-6400 to obtain your warranty service options. Freight costs must be borne by the purchaser.
 - C. Use reasonable care in the operation and maintenance of the products as described in the owner's manual(s).
9. **WHEN WARRANTOR WILL PERFORM REPAIR OR REPLACEMENT UNDER THIS WARRANTY:** Repair or replacement will be scheduled and serviced according to the normal work flow at the servicing location, and depending on the availability of replacement parts.

This Limited Warranty applies in the United States, Canada and Mexico only and gives you specific legal rights. You may also have other rights which vary from state to state or country to country.

Por favor lea y guarde estas instrucciones. Léalas cuidadosamente antes de tratar de montar, instalar, operar o dar mantenimiento al producto aquí descrito. Protéjase usted mismo y a los demás observando toda la información de seguridad. ¡El no cumplir con las instrucciones puede ocasionar daños, tanto personales como a la propiedad! Guarde estas instrucciones para referencia en el futuro.



**CAMPBELL
HAUSFELD®**

Lijadora Neumática

¡REGISTRE SU PRODUCTO EN LÍNEA AHORA MISMO! <http://www.chpower.net/reg>

Descripción

Estas lijadoras son herramientas neumáticas diseñadas para trabajar en superficies planas y curvas de automóviles.

Desempaque

Al desempacar este producto, revíselo con cuidado para cerciorarse de que esté en perfecto estado.

INFORMACIONES GENERALES DE SEGURIDAD

PROPOSICIÓN DE CALIFORNIA 65

⚠ PELIGRO

Quando corta lija, taladra o pule materiales como por ejemplo madera, pintura, metal, hormigón, cemento, u otro tipo de mampostería se puede producir polvo. Con frecuencia este polvo contiene productos químicos que se conocen como causantes de cáncer, defectos congénitos u otros daños reproductivos. Use equipo de protección.



Este manual contiene información que es muy importante que sepa y comprenda. Esta información se la suministramos como medida de SEGURIDAD y para EVITAR PROBLEMAS CON EL EQUIPO. Debe reconocer los siguientes símbolos.

⚠ PELIGRO

Esto le indica que hay una situación inmediata que LE OCASIONARIA la muerte o heridas de gravedad.

⚠ ADVERTENCIA

Esto le indica que hay una situación que PODRIA ocasionarle la muerte o heridas de gravedad.

⚠ PRECAUCION

Esto le indica que hay una situación que PODRIA ocasionarle heridas no muy graves.

AVISO

Esto le indica una información importante, que de no seguirla, le podría ocasionar daños al equipo.

Este producto es parte de un sistema de alta presión y por lo tanto debe seguir las

siguientes medidas de precaución al igual que cualquier otra medida de seguridad.

1. Lea con cuidado todos los manuales incluidos con este producto. Familiarícese con los controles y el uso adecuado del equipo.



2. La herramienta neumática sólo debe ser usada por personas que estén bien familiarizadas con las reglas de seguridad de manejo.

⚠ PRECAUCION

Nunca exceda la capacidad máxima de presión de la herramienta neumática 90 PSI (6,3 Kgs/cm²). Esto podría reducir la duración de la herramienta.

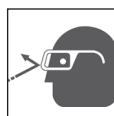


3. No exceda ninguna capacidad máxima de presión del sistema. La presión máxima de trabajo de 6,21 bar se mide en la entrada de aire de la herramienta con la herramienta encendida. El compresor de aire debe compensar la baja de presión entre éste y la herramienta.

4. Desconecte la herramienta neumática de la fuente de suministro de aire antes de cambiar de herramienta o accesorios, darle servicio o cuando no la esté usando.

⚠ ADVERTENCIA

Debe ponerse anteojos de seguridad y protegerse los oídos para operar esta herramienta.



5. No se ponga ropa muy holgada, bufandas o corbatas, ya que éstas se le podrían enredar en las piezas en movimiento y ocasionarle heridas graves.

6. No se ponga joyas para operar ninguna herramienta neumática. Éstas se le podrían enredar en las piezas en movimiento y ocasionarle heridas graves.

7. No oprima el gatillo cuando esté conectando la manguera de suministro de aire.

8. Siempre use accesorios que estén diseñados para usarse con herramientas neumáticas. No use accesorios que estén dañados o desgastados.

9. Nunca oprima el gatillo a menos que la herramienta esté en la pieza de trabajo. Los accesorios deben estar bien conectados. Si los accesorios están flojos le podrían ocasionar heridas graves.

10. Proteja las líneas de aire contra daños o perforaciones.

11. Nunca apunte la herramienta neumática hacia Ud. u otras personas. Ésto podría ocasionar heridas de gravedad.

12. Antes de cada uso, revise las mangueras a ver si están dañadas o desgastadas. Cerciórese de que todas las conexiones estén bien apretadas.

⚠ WARNING

Libere toda la presión del sistema antes de tratar de instalar, darle servicio, mover a otro sitio o darle cualquier tipo de mantenimiento.



13. Mantenga todas las tuercas, pernos y tornillos bien apretados y cerciórese de que el equipo esté en buenas condiciones.

14. No coloque las manos cerca o debajo de piezas en movimiento.



15. Siempre coloque la pieza en una prensa de tornillos o abrazadera.

⚠ ADVERTENCIA

No haga mal uso de este producto. La exposición a vibraciones excesivas, el trabajar en posiciones anormales y los movimientos repetitivos del trabajo pueden causar daños a las manos y los brazos. Si siente incomodidad, pérdida de sensación, hormigueo o dolor, suspenda el uso de cualquier herramienta y consulte a un médico.

FUNCIONAMIENTO

LUBRICACION

La lubricación adecuada de la herramienta es la responsabilidad del propietario. El no lubricarla adecuadamente reducirá drásticamente la duración de la herramienta y anulará la garantía.

RECORDATORIO: ¡Guarde su comprobante de compra con fecha para fines de la garantía! Adjúntela a este manual o archívela en lugar seguro.

FUNCIONAMIENTO (Continuación)

⚠ PRECAUCIÓN *Esta herramienta requiere lubricación antes de usarse por primera vez y antes y después de cada uso adicional.*

Las herramientas neumáticas requieren lubricación durante su duración. Siga cuidadosamente los procedimientos señalados. Se recomienda utilizar el aceite para herramienta neumática Campbell Hausfeld (ST1270), ya que este aceite limpia, lubrica e impide la oxidación en un solo paso.

LUBRICACION DEL MOTOR NEUMATICO

El motor neumático se debe lubricar **diariamente**. Un motor neumático nunca se lubricará en exceso.

⚠ PRECAUCIÓN *Desconecte la herramienta neumática de la fuente de suministro de aire antes de lubricarla.*

1. Desconecte la herramienta de la fuente de suministro de aire.
2. Coloque la herramienta al revés.
3. Simultáneamente (a la vez), oprima el gatillo y vierta una cucharadita de aceite Campbell Hausfeld en la entrada de aire.

⚠ ADVERTENCIA *Después que una herramienta neumática se ha lubricado, expulsará aceite por el orificio de salida durante los primeros segundos de funcionamiento. Por lo tanto, debe cubrirle el orificio de salida con una toalla antes de aplicarle presión de aire. Si no cubre el orificio de salida podría ocasionarle heridas graves.*

4. Deje de oprimir el gatillo y conecte la herramienta neumática a la fuente de suministro de aire. Cúbrale el orificio de salida con una toalla (Vea la Figura 1). Deje que la herramienta neumática funcione de 7 a 10 segundos. Al aplicarle presión de aire la herramienta expulsará aceite por el orificio de salida. Deje que la herramienta funcione hasta que no expulse más aceite. Limpíele todos los residuos de aceite antes de comenzar a trabajar.

AJUSTE DE VELOCIDAD

Esta lijadora está equipada con un regulador para ajuste de velocidad (Véase la Lista de repuestos para obtener las especificaciones).

ACOPLAMIENTO DE LOS DISCOS PORTALIJAS / LIJADORAS DE DOBLE ACCIÓN

Se recomienda utilizar los discos recubiertos de adhesivo. Para aplicar el papel de lija, alinee los bordes externos y presione el papel

adhesivo contra el disco portaliija. Cambie el papel de lija según sea necesario.

⚠ ADVERTENCIA *Desconecte la herramienta neumática del suministro de aire antes de colocar el disco portaliija. No opere la lijadora si el disco portaliija no ha sido asegurado. Reemplace siempre los discos dañados o desgastados. Podría ocasionar lesiones serias.*

1. Asegure el eje guía en su posición antes de acoplar el disco portaliija. Gire el seguro del eje hasta que éste enganche con el eje guía y ajuste con la mano el disco portaliija en el sentido de las agujas del reloj (Véase Figura 1).

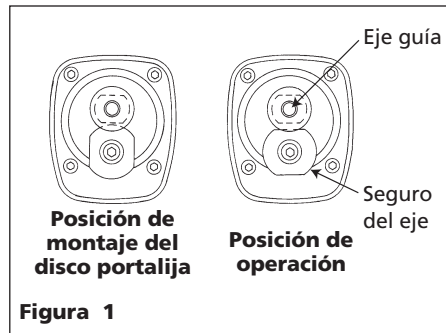


Figura 1

2. Desajuste el eje antes de aplicar presión de aire.

NOTA: ¡El seguro del eje es sólo para acoplar y retirar el disco portaliija! No opere la herramienta con el eje asegurado o la lijadora se detendrá cuando se aplique presión al disco portaliija.

ACOPLAMIENTO DE DISCOS LIJADORES / LIJADORAS DE ALTA VELOCIDAD

Se recomienda utilizar discos de resina de 7,6cm (3") o 15,2cm (6") con soportes no adhesivos. Los discos deben tener centros punzonados con un diámetro de 22,2mm (7/8") para un acoplamiento adecuado. Para lograr un mejor respaldo cuando utilice discos de más de 7,6cm (3"), emplee todos los discos portaliijas del mismo tamaño o más pequeños que el disco de resina (Véase figura 2). Para instalar el disco de resina, siga los procedimientos señalados.

⚠ ADVERTENCIA *Desconecte la herramienta neumática del suministro de aire antes de acoplar el disco lijador. No opere la lijadora si el disco no ha sido debidamente ajustado, o podría ocasionar serios daños.*

1. Monte los discos portaliija de apoyo tal como se muestra en la Figura 2. Asegúrese que el centro hendido de los discos estén orientados hacia la lijadora.

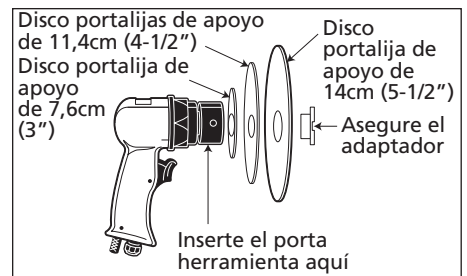


Figura 2

2. Coloque el disco de resina frente al disco portaliija de tamaño adecuado, y empuje el seguro del adaptador a través del centro del disco portaliija y los discos.
3. Ajuste con la mano el seguro del adaptador, luego inserte la herramienta en el agujero tal como se muestra en la Figura 2. Inserte un destornillador grande en la ranura sobre el seguro del adaptador y ajústelo firmemente.

LIJADORAS DE DOBLE ACCIÓN

Inicie el lijado con un abrasivo de arena lo suficientemente gruesa para remover las elevaciones y aspereza excesiva. Siga con un segundo papel de lija, dos números más fino. Continúe con papeles de lija más finos hasta obtener el acabado deseado. No cambie de un papel de lija grueso a uno muy fino en un solo paso, ya que esto dificultará posteriormente retirar las marcas en forma de remolino que podría haber causado el abrasivo de arena gruesa. Utilice el papel de lija más fino para la operación de lijado.

LIJADORAS DE ALTA VELOCIDAD

El disco de resina gruesa se utiliza para retirar y suavizar las superficies irregulares de metal o soldaduras. El grano más común es 36 (discos Campbell Hausfeld MP3264).

⚠ ADVERTENCIA *Los discos desgastados o dañados se pueden romper ocasionando serios daños. Reemplace los discos según sea necesario.*

MANGUERA DE AIRE

Remítase a la hoja sobre instalación de la manguera de aire IN170102AV para obtener las especificaciones sobre la conexión.

NOTA: No se recomienda instalar un acoplador rápido entre la lijadora y la manguera guía (conexión flexible).

⚠ ADVERTENCIA *Utilizar una manguera de conexión flexible evita que se accione el gatillo de la herramienta en forma accidental, cuando se conecta el aire presurizado al sistema.*

FUNCIONAMIENTO (Continuación)

Asimismo, la vibración de la herramienta desgasta los acopladores rápidos en forma prematura.

Utilizar accesorios o mangueras de aire que son muy pequeños puede crear una caída de presión o reducir la potencia de la herramienta. Se recomienda el uso de accesorios de 9,5mm (3/8") con roscas NPT de 6,4mm (1/4"). La mayoría de compresores vienen con una manguera corta, con un D.I. de 6,4mm (1/4"). Para obtener mayores beneficios y un desempeño adecuado, utilice una manguera con D.I. de 9,5mm (3/8"). Las

mangueras de más de 15m (15 pies) deben tener un D.I. de 12,7mm (1/2").

⚠ ADVERTENCIA *Nunca cargue la herramienta sujetándola de la manguera ni jale de ésta para moverla o mover el compresor. Mantenga la manguera lejos del calor, aceite y bordes contundentes. Reemplace la manguera si está averiada, débil o desgastada..*

Mantenimiento

ALMACENAMIENTO

Debe lubricar la herramienta neumática antes de almacenarla. Siga las instrucciones para lubricar el pistón neumático excepto el

paso 4. Déjela funcionar de 2 a 3 segundos solamente en vez de 7 a 10 segundos ya que la herramienta necesita más aceite para almacenarla.

INFORMACIÓN SOBRE REPUESTOS

Para mayor información sobre donde puede ordenar repuestos, comuníquese con el concesionario de Campbell Hausfeld más cercano a su domicilio. Sirvase suministrarnos la siguiente información:

- Número del Modelo
 - Código grabado en la herramienta
 - Número y descripción del repuesto
- Puede escribirnos a:

Campbell Hausfeld
Attn: Parts Department
100 Production Drive
Harrison, Ohio 45030

Guía de solución de problemas

Problema	Causa(s) posible	Acción correctiva
La herramienta funciona demasiado lenta o no funciona.	1. Hay arena o goma en la herramienta	1. Limpie la herramienta con aceite para herramientas hidráulicas Campbell Hausfeld, solvente de goma o una mezcla de mitad de aceite para motor SAE 10 y mitad de queroseno. Si no utiliza aceite Campbell Hausfeld, lubrique la herramienta después de limpiarla.
	2. No hay aceite en la herramienta	2. Lubrique la herramienta siguiendo las instrucciones sobre lubricación que aparecen en este manual.
	3. Baja presión de aire	3a. Ajuste el regulador de la herramienta al máximo permitido (Si es aplicable). 3b. Ajuste el regulador del compresor al máximo permitido por la herramienta mientras ésta funciona libremente.
	4. Fugas en la manguera de aire	4. Apriete y selle los accesorios de la manguera si encuentra fugas.
	5. Baja la presión	5a. Asegúrese de que el tamaño de la manguera sea el apropiado. Las mangueras largas o las herramientas que utilizan grandes volúmenes de aire pueden requerir una manguera con un D.I. de 12,7 mm (1/2") pulgada o superior, según el tamaño total de la manguera. 5b. No utilice varias mangueras conectadas con accesorios de conexión rápida. Esto ocasiona la caída adicional de presión y reduce la potencia de la herramienta. Conecte directamente las mangueras.
	6. Posición muy baja del regulador	6. Ajuste el regulador hasta que la herramienta alcance la velocidad máxima.
Sale humedad por la herramienta	1. Hay agua en el tanque	1. Vacíe el tanque. (Vea el manual del compresor de aire). Lubrique la herramienta y hágala funcionar hasta que no haya agua. Vuelva a lubricar la herramienta y hágala funcionar por 1 a 2 segundos.
	2. Hay agua en las líneas/ mangueras de aire	2a. Instale un separador/filtro de agua (PA2121). NOTA: Los separadores sólo trabajan adecuadamente cuando el aire que pasa a través del separador está frío. Ubique el separador/ filtro lo más lejos posible del compresor. 2b. Instale un secador de aire. 2c. En el momento que ingrese agua a la herramienta, ésta se debe aceitar inmediatamente.
La lijadora se detiene cuando se aplica a la superficie de trabajo.	El seguro del eje se encuentra en la posición de cerrado.	Quite el seguro del eje (Ver Figura 1).

Garantía Limitada

1. DURACION: A partir de la fecha de compra por el comprador original tal como se especifica a continuación: Un año.
 2. QUIEN OTORGA ESTA GARANTIA (EL GARANTE: Campbell Hausfeld / The Scott Fetzer Company 100 Production Drive, Harrison, Ohio 45030 Teléfono: (800) 543-6400.
 3. QUIEN RECIBE ESTA GARANTIA (EL COMPRADOR): El comprador original (que no sea un revendedor) del producto Campbell Hausfeld.
 4. PRODUCTOS CUBIERTOS POR ESTA GARANTIA: Esta herramienta neumática Campbell Hausfeld.
 5. COBERTURA DE LA GARANTIA: Defectos importantes en el material y la mano de obra que ocurran durante la duración del período de garantía con las excepciones que se mencionan a continuación.
 6. LO QUE NO ESTA CUBIERTO POR ESTA GARANTIA:
 - A. Las garantías implícitas, incluyendo aquellas de comercialidad E IDONEIDAD PARA FINES PARTICULARES, ESTAN LIMITADOS A LO ESPECIFICADO EN EL PARRAFO DE DURACION. Si este producto es empleado para uso comercial, industrial o para renta, la garantía será aplicable por noventa (90) días a partir de la fecha de compra. En algunos estados no se permiten limitaciones a la duración de las garantías implícitas, por lo tanto, en tales casos esta limitación no es aplicable.
 - B. CUALQUIER PERDIDA DAÑO INCIDENTAL, INDIRECTO O CONSECUENTE QUE PUEDA RESULTAR DE UN DEFECTO, FALLA O MALFUNCIONAMIENTO DEL PRODUCTO CAMPBELL HAUSFELD. En algunos estados no se permite la exclusión o limitación de daños incidentales o consecuentes, por lo tanto, en tales casos esta limitación o exclusión no es aplicable
 - C. Cualquier falla que resulte de un accidente, abuso, negligencia o incumplimiento de las instrucciones de funcionamiento y uso indicadas en el (los) manual(es) que se adjunta(n) al producto. Dichos accidentes, abusos por parte del comprador, o falta de operar el producto siguiendo las instrucciones del manual de instrucciones suministrado también debe incluir la desconexión o modificación de los instrumentos de seguridad. Si dichos instrumentos de seguridad son desconectados, la garantía quedaría cancelada.
 - D. Los ajustes normales explicados en el(los) manual(es) suministrado(s) con el producto.
 - E. Los artículos o servicios que son necesarios normalmente para mantener el product.
 7. RESPONSABILIDADES DEL GARANTE BAJO ESTA GARANTIA: Según elija el Garante, la reparación o el reemplazo del producto o los componentes que estén defectuosos, que hayan funcionado en forma inadecuada y/o que no hayan cumplido con su función dentro de la duración del período específico de la garantía.
 8. RESPONSABILIDADES DEL COMPRADOR BAJO ESTA GARANTIA:
 - A. Suministrar prueba fechada de compra y la historia de mantenimiento del producto.
 - B. Llame a Campbell Hausfeld (800) 543-6400 por sus opciones de servicio incluidas en la garantía. Los costos de flete correrán por cuenta del comprador.
 - C. Seguir las instrucciones sobre operación y mantenimiento del producto, tal como se indica(n) en el (los) manual(es) del propietario
 9. CUANDO EFECTUARA EL GARANTE LA REPARACION O REEMPLAZO CUBIERTO BAJO ESTA GARANTIA: La reparación o reemplazo dependerá del flujo normal de trabajo del centro de servicio y de la disponibilidad de repuestos.
- Esta garantía limitada es válida sólo en los EE.UU., Canadá y México y otorga derechos legales específicos. Usted también puede tener otros derechos que varían de un Estado a otro. o de un país a otro.