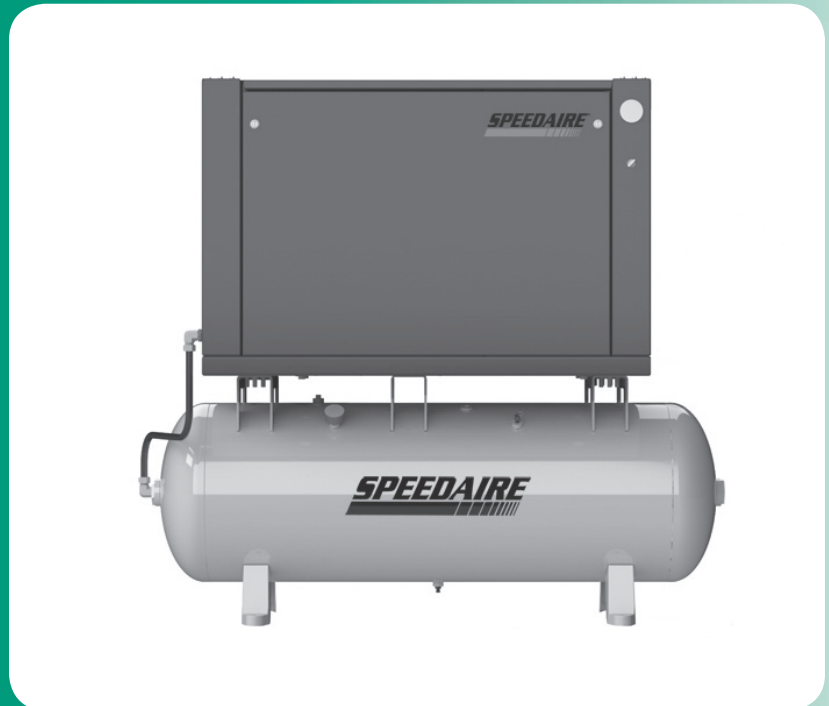




SPEEDAIRE



Two Stage Air Compressors

**Models 35WC74, 35WC75, 35WC76, 35WC77,
35WC78, 35WC79, 35WC80, 35WC81**



SPEEDAIRE

**PLEASE READ AND SAVE
THESE INSTRUCTIONS.
READ CAREFULLY
BEFORE ATTEMPTING
TO ASSEMBLE, INSTALL,
OPERATE OR MAINTAIN THE
PRODUCT DESCRIBED.**

**PROTECT YOURSELF AND
OTHERS BY OBSERVING ALL
SAFETY INFORMATION. FAILURE
TO COMPLY WITH INSTRUCTIONS
COULD RESULT IN PERSONAL
INJURY AND/OR PROPERTY DAMAGE!
RETAIN INSTRUCTIONS FOR FUTURE
REFERENCE.**

**PLEASE REFER TO BACK COVER
FOR INFORMATION REGARDING
SPEEDAIRE'S WARRANTY AND OTHER
IMPORTANT INFORMATION.**

Model #: _____

Serial #: _____

Purch. Date: _____

Form 5S7608 / Printed in USA

Version 1 4/2015

© 2013 W.W. Grainger, Inc.

All Rights Reserved

BEFORE YOU BEGIN

Introduction

This Speedaire line of air compressors are two stage, oil lubricated reciprocating compressors.

Shop Air Series Models Include:

- Compressor pump
- ASME air receiver with safety valve
- Electric motor
- Starter
- Pressure switch
- Shut-off valve

Quick Reference
Recommended Oil (2 Options)
Single viscosity SAE 30 ISO100 nondetergent compressor oil. Part number 4ZF21 or 1WG50.
10W30 synthetic oil such as Mobil 1® or 1WG49.
Oil Capacity
Approximately 2 quarts

UNPACKING

⚠ CAUTION *Do not lift or move unit without appropriately rated equipment. Be sure the unit is securely attached to lifting device used. Do not lift unit by holding onto tubes or coolers. Do not use unit to lift other attached equipment.*

After unpacking the unit, inspect carefully for any damage that may have occurred during transit. Check for loose, missing or damaged parts. Check to be sure all supplied accessories are enclosed with the unit. In case of questions, damaged or missing parts, please call 1-855-504-5678 for customer assistance.

⚠ WARNING *Do not operate unit if damaged during shipping, handling or use. Damage may result in bursting and cause injury or property damage.*

Required Items - Not Included

- Oil

Getting To Know Your Compressor

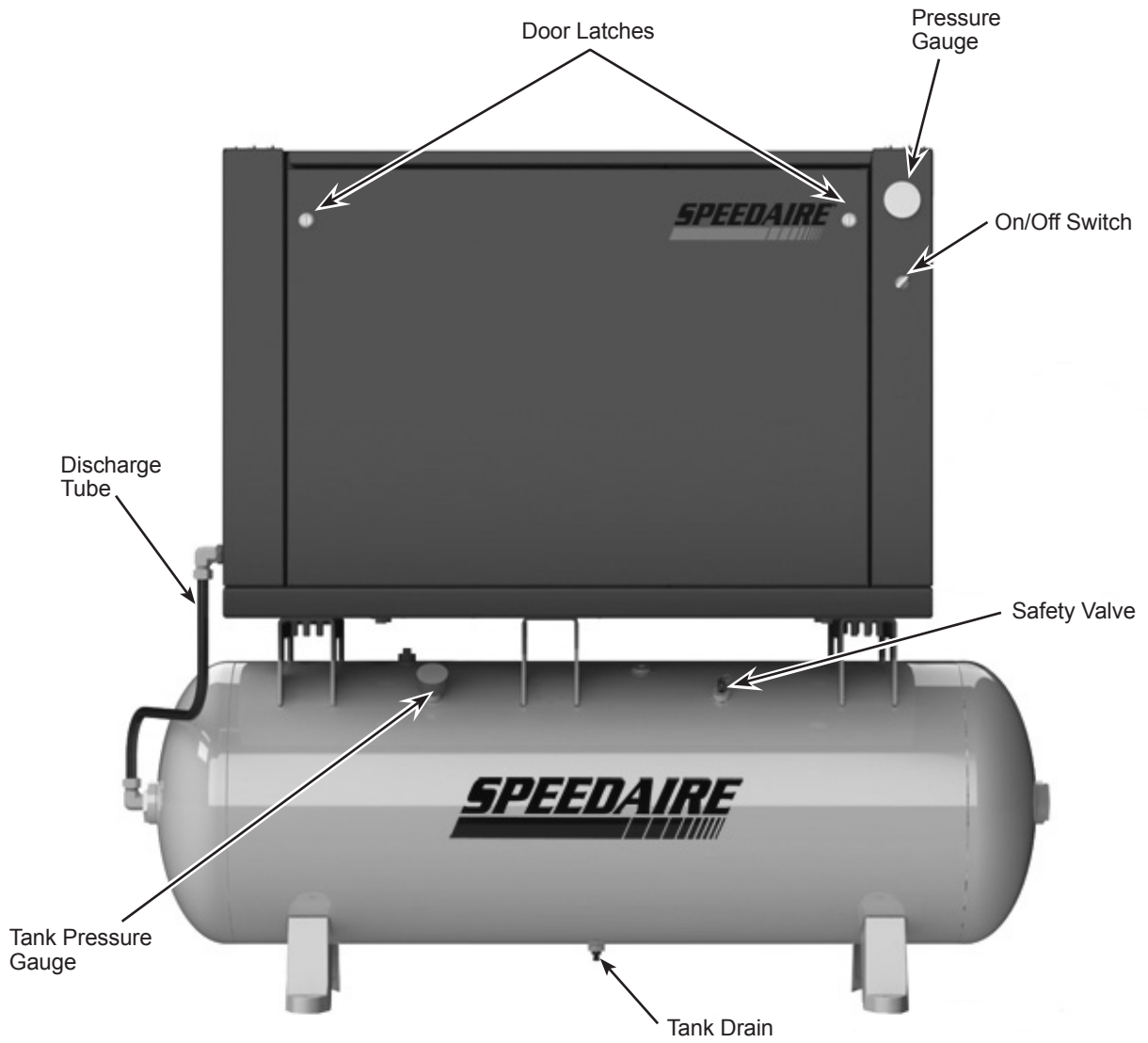


Figure 1

Getting To Know Your Compressor

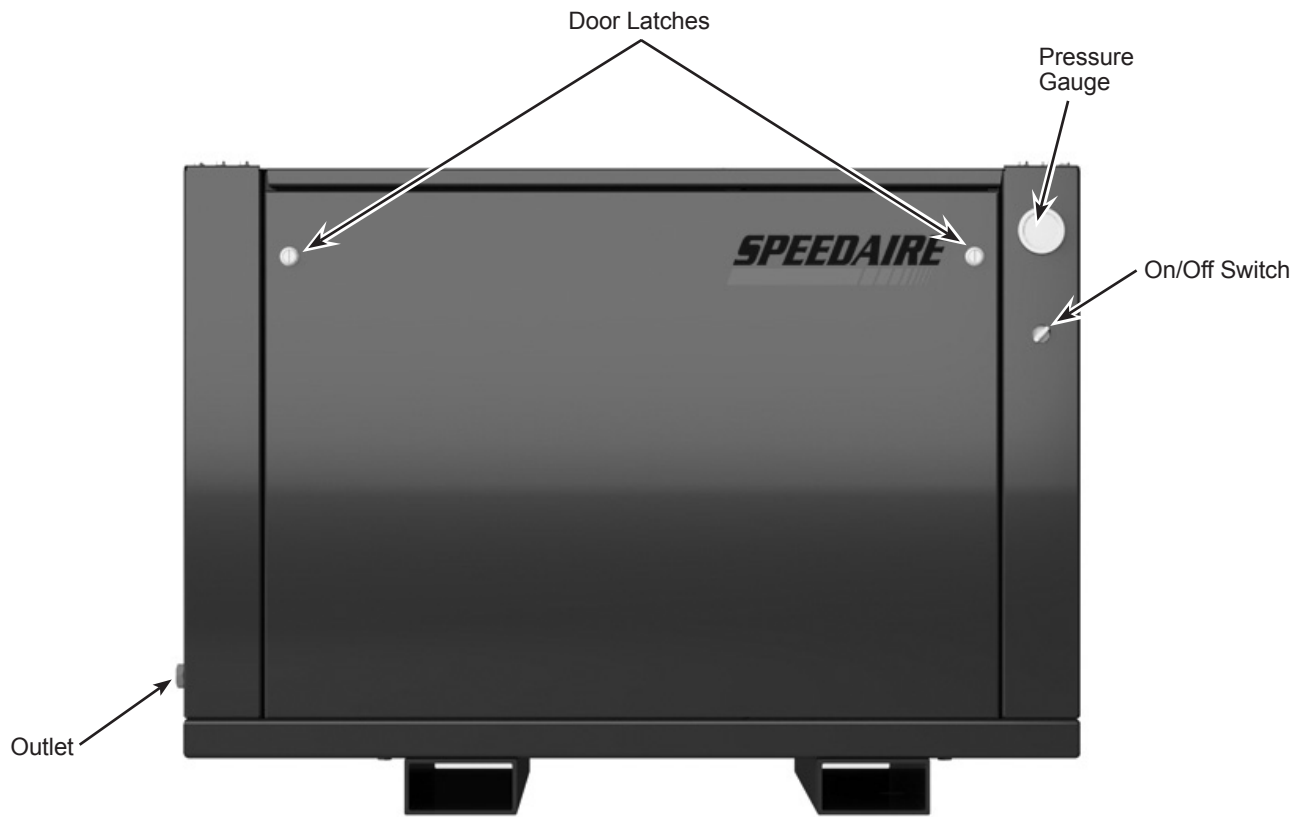


Figure 2

GENERAL SAFETY INSTRUCTIONS

Safety Guidelines

This manual contains information that is very important to know and understand. This information is provided for SAFETY and to PREVENT EQUIPMENT PROBLEMS. To help recognize this information, observe the following symbols.



Danger indicates an imminently hazardous situation which, if not avoided, WILL result in death or serious injury.



Warning indicates a potentially hazardous situation which, if not avoided, COULD result in death or serious injury.



Caution indicates a potentially hazardous situation which, if not avoided, MAY result in minor or moderate injury.



Notice indicates important information, that if not followed, may cause damage to equipment.

IMPORTANT: Information that requires special attention.

Safety Symbols

The following Safety Symbols appear throughout this manual to alert you to important safety hazards and precautions.



Wear Eye and Mask Protection



Read Manual First



Risk of Fire



Risk of Moving Parts



Risk of Hot Parts



Risk of Explosion



Risk of Fumes



Risk of Pressure



Risk of Shock

California Proposition 65



This product or its power cord may contain chemicals known to the State of California to cause cancer and birth defects or other reproductive harm. Wash hands after handling.



You can create dust when you cut, sand, drill or grind materials such as wood, paint, metal, concrete, cement, or other masonry. This dust often contains chemicals known to cause cancer, birth defects, or other reproductive harm. Wear protective gear.

Important Safety Information

Please read and save these instructions. Read carefully before attempting to assemble, install, operate or maintain the product described. Protect yourself and others by observing all safety information. Failure to comply with instructions could result in personal injury and/or property damage! Retain instructions for future reference.

This manual contains important safety, operational and maintenance information. If you have any questions, please call 1-855-504-5678 for customer assistance.

Since the air compressor and other components (material pump, spray guns, filters, lubricators, hoses, etc.) used make up a high pressure pumping system, the following safety precautions must be observed at all times:

Important Safety Information (Continued)

▲ DANGER

BREATHABLE AIR WARNING

This compressor/pump is not equipped and should not be used “as is” to supply breathing quality air. For any application of air for human consumption, the air compressor/pump will need to be fitted with suitable in-line safety and alarm equipment. This additional equipment is necessary to properly filter and purify the air to meet minimal specifications for Grade D breathing as described in Compressed Gas Association Commodity Specification G 7.1, OSHA 29 CFR 1910. 134, and/or Canadian Standards Associations (CSA).

DISCLAIMER OF WARRANTIES

In the event the compressor is used for the purpose of breathing air application and proper in-line safety and alarm equipment is not simultaneously used, existing warranties shall be voided, and Campbell Hausfeld disclaims any liability whatsoever for any loss, personal injury or damage.

General Safety



- Read all manuals included with this product carefully. Be thoroughly familiar with the controls and the proper use of the equipment.
- Follow all local electrical and safety codes as well as the United States National Electrical Codes (NEC) and Occupational Safety and Health Act (OSHA).
- Only persons well acquainted with these rules of safe operation should be allowed to use the compressor.
- Keep visitors away and NEVER allow children in the work area.
- Wear safety glasses and use hearing protection when operating the unit.
- Do not stand on or use the unit as a handhold.
- Before each use, inspect compressed air system and electrical components for signs of damage, deterioration, weakness or leakage. Repair or replace defective items before using.
- Check all fasteners at frequent intervals for proper tightness.



▲ WARNING *Motors, electrical equipment and controls can cause electrical arcs that will ignite a flammable gas or vapor. Never operate or repair in or near a flammable gas or vapor. Never store flammable liquids or gases in the vicinity of the compressor.*



▲ WARNING *Never operate compressor without a beltguard. This unit can start automatically without warning. Personal injury or property damage could occur from contact with moving parts.*

- Do not wear loose clothing or jewelry that will get caught in the moving parts of the unit.



▲ CAUTION *Compressor parts may be hot even if the unit is stopped.*

- Keep fingers away from a running compressor; fast moving and hot parts will cause injury and/or burns.
- If the equipment should start to vibrate abnormally, STOP the engine/motor and check immediately for the cause. Vibration is generally an indication of trouble.
- To reduce fire hazard, keep engine/motor exterior free of oil, solvent, or excessive grease.

▲ WARNING *An ASME code safety relief valve with a setting no higher than the Maximum Allowable Working Pressure (MAWP) of the tank MUST be installed in the air lines or in the tank for this compressor. The ASME safety valve must have sufficient flow and pressure ratings to protect the pressurized components from bursting. The flow rating can be found in the parts manual. The safety valve in the intercooler does not provide system protection.*

▲ WARNING *Maximum operating pressure is 175 psi for two-stage compressors. Do not operate with pressure switch or pilot valves set higher than 175 psi (two-stage).*

- Never attempt to adjust ASME safety valve. Keep safety valve free from paint and other accumulations.

**Important Safety Information (Continued)****⚠ WARNING**

Never attempt to repair or modify a tank! Welding, drilling or any other modification will weaken the tank resulting in damage from rupture or explosion. Always replace worn, cracked or damaged tanks.

NOTICE

Drain liquid from tank daily.

- Tanks rust from moisture build-up, which weakens the tank. Make sure to drain tank regularly and inspect periodically for unsafe conditions such as rust formation and corrosion.
- Fast moving air will stir up dust and debris which may be harmful. Release air slowly when draining moisture or depressurizing the compressor system.

Spraying Precautions**⚠ WARNING**

Do not spray flammable materials in vicinity of open flame or near ignition sources including the compressor unit.



- Do not smoke when spraying paint, insecticides, or other flammable substances.
- Use a face mask/respirator when spraying and spray in a well ventilated area to prevent health and fire hazards.
- Do not direct paint or other sprayed material at the compressor. Locate compressor as far away from the spraying area as possible to minimize overspray accumulation on the compressor.
- When spraying or cleaning with solvents or toxic chemicals, follow the instructions provided by the chemical manufacturer.

Save These Instructions
Do Not Discard

The **DANGER**, **WARNING**, **CAUTION**, and **NOTICE** notifications and instructions in this manual cannot cover all possible conditions and situations that may occur. It must be understood by the operator that caution is a factor which cannot be built into this product, but must be supplied by the operator.

SPECIFICATIONS

	35WC74	35WC75	35WC76	35WC77	35WC78	35WC79	35WC80	35WC81
Motor HP	5	5	7.5	7.5	5	5	7.5	7.5
Power	230V	230V	230V	230V	230V	230V	230V	230V
Phase	1	3	1	3	1	3	1	3
Displacement CFM	21.1	21.1	31.4	31.4	21.1	21.1	31.4	31.4
Air Delivery CFM	16.6	16.6	24.3	24.3	16.6	16.6	24.3	24.3
Max PSI	175	175	175	175	175	175	175	175
Pump RPM	700	700	1020	1020	700	700	1020	1020
Tank Capacity	N/A	N/A	N/A	N/A	80 gallons	80 gallons	80 gallons	80 gallons
Unit Weight	630 lbs	630 lbs	630 lbs	630 lbs	830 lbs	830 lbs	830 lbs	830 lbs
Amp Draw	22	12.8	31	17.9	22	12.8	31	17.9
Max Duty Cycle	80/20	80/20	80/20	80/20	80/20	80/20	80/20	80/20
Tank Outlet	3/4 inch (F) NPT	3/4 inch (F) NPT	3/4 inch (F) NPT	3/4 inch (F) NPT	3/4 inch (F) NPT	3/4 inch (F) NPT	3/4 inch (F) NPT	3/4 inch (F) NPT
Decibel Level (as low as)	68	68	68	68	68	68	68	68

DIMENSIONS

	35WC74	35WC75	35WC76	35WC77	35WC78	35WC79	35WC80	35WC81
Tank Orientation	N/A	N/A	N/A	N/A	horizontal	horizontal	horizontal	horizontal
Length	48 inches	48 inches	48 inches	48 inches	64 inches	64 inches	64 inches	64 inches
Width	34 inches	34 inches	34 inches	34 inches	34 inches	34 inches	34 inches	34 inches
Height	32 inches	32 inches	32 inches	32 inches	59 inches	59 inches	59 inches	59 inches

INSTALLATION INSTRUCTIONS



⚠ WARNING

Disconnect, tag and lock out power source then release all pressure from the system before attempting to install, service, relocate or perform any maintenance.

⚠ CAUTION

Do not lift or move unit without appropriately rated equipment. Be sure the unit is securely attached to lifting device used. Do not lift unit by holding onto tubes or coolers. Do not use unit to lift other attached equipment.

⚠ CAUTION

Never use the wood shipping skids for mounting the compressor.

Picking the Location

Install and operate unit at least 18 inches from any obstructions in a clean, well ventilated area. The surrounding air temperature should not exceed 100° F. This will ensure an unobstructed flow of air to cool compressor and allow adequate space for maintenance.

⚠ CAUTION

Do not locate the compressor air inlet near steam, paint spray, sandblast areas or any other source of contamination.

NOTE: If compressor operates in a hot, moist environment, supply compressor pump with clean, dry outside air. Supply air should be piped in from external sources.

* Model shown may not be exact model and is used to demonstrate need for minimum 18 inch spacing around compressor.

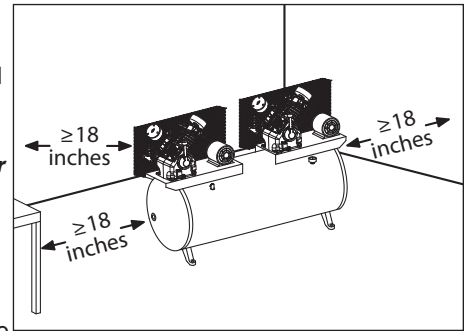


Figure 3 - Location *

Tank Mounting

The tank should be bolted into a flat, even, concrete floor or on a separate concrete foundation. Vibration isolators should be used between the tank leg and the floor. Model 2LVP7 isolator pads are recommended for units. Isolator pads are included with fully packaged models.

When using isolator pads, **do not draw bolts tight**. Allow the pads to absorb vibrations. When isolators are used, a flexible hose or coupling should be installed between the tank and service piping.

⚠ WARNING

Failure to properly install the tank can lead to cracks at the welded joints and possible bursting.

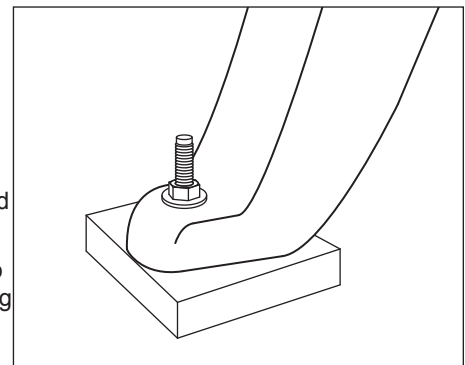


Figure 4 - Isolator pad

Piping

⚠ WARNING

Never use plastic (PVC) pipe for compressed air. Serious injury or death could result.

Any tube, pipe or hose connected to the unit must be able to withstand the temperature generated and retain the pressure. All pressurized components of the air system must have a pressure rating of 200 psi or higher. Incorrect selection and installation of any tube, pipe or hose could result in bursting and injury. Connect piping system to tank using the same size fitting as the discharge port.

Minimum Pipe Size For Compressed Air Line

CFM	Length Of Piping System			
	25 feet	50 feet	100 feet	250 feet
10	1/2 inch	1/2 inch	3/4 inch	3/4 inch
20	3/4 inch	3/4 inch	3/4 inch	1 inch
40	3/4 inch	1 inch	1 inch	1 inch
60	3/4 inch	1 inch	1 inch	1 inch
100	1 inch	1 inch	1 inch	1-1/4 inch

INSTALLATION INSTRUCTIONS (CONTINUED)

Installing A Shut-Off Valve

A shut-off valve should be installed on the discharge port of the tank to control the air flow out of the tank. The valve should be located between the tank and the piping system.

⚠ WARNING *Never install a shut-off valve between the compressor pump and the tank. Personal injury and/or equipment damage may occur. Never use reducers in discharge piping.*

When creating a permanently installed system to distribute compressed air, find the total length of the system and select pipe size from the chart. Bury underground lines below the frost line and avoid pockets where condensation can gather and freeze.

Apply air pressure to the piping installation and make sure all joints are free from leaks BEFORE underground lines are covered. Before putting the compressor into service, find and repair all leaks in the piping, fittings and connections.

Wiring

⚠ WARNING *All wiring and electrical connections must be performed by a qualified electrician familiar with induction motor controls. Installations must be in accordance with local and national codes.*

⚠ WARNING *Overheating, short circuiting and fire damage will result from inadequate wiring.*

Wiring must be installed in accordance with National Electrical Code and local codes and standards that have been set up covering electrical apparatus and wiring. These should be consulted and local ordinances observed. Be certain that adequate wire sizes are used, and that:

1. Service is of adequate ampere rating.
2. The supply line has the same electrical characteristics (voltage, cycles and phase) as the motor. Refer to motor name plate for electrical ratings and specifications.
3. The line wire is the proper size and that no other equipment is operated from the same line. The chart gives minimum recommended wire sizes for compressor installations.

Minimum Wire Size (Use 75°C Copper Wire)

Make sure voltage is correct with the motor wiring.

NOTE: If using 208 volts single phase, make sure the motor name plate states it is rated for 208 volts single phase. 230 volt single phase motors do not work on 208 volts unless they have the 208 volt rating.

HP	Amps	Single Phase		
		230V	208/230V	460/575V
SPL	up to 22.0	10 AWG		
5.0		8 AWG	12 AWG	14 AWG
7.5		8 AWG	10 AWG	12 AWG
10.0		--	8 AWG	12 AWG
15.0		--	6 AWG	10 AWG
25.0		--	3 AWG	8 AWG

Recommended wire sizes may be larger than the minimum set up by local ordinances. If so, the larger size wire should be used to prevent excessive line voltage drop. The additional wire cost is very small compared with the cost of repairing or replacing a motor electrically "starved" by the use of supply wires which are too small.

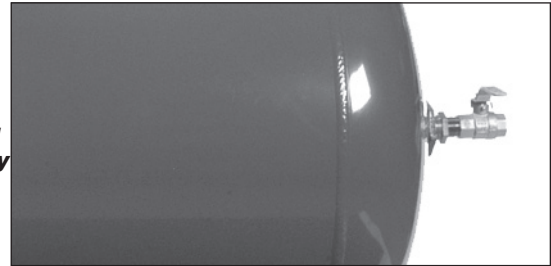


Figure 5 - Shut-off Valve

INSTALLATION INSTRUCTIONS (CONTINUED)

Grounding



⚠ WARNING

Improperly grounded electrical components are shock hazards. Make sure all the components are properly grounded to prevent death or serious injury.

This product **must** be grounded. Grounding reduces the risk of electrical shock by providing an escape wire for the electric current if short circuit occurs. This product must be installed and operated with a power cord or cable that has a grounding wire.

Breakers and Fuses

The entire electrical system should be checked by a certified electrician. Time delay breakers and fuses are required for this compressor. A tripped breaker or blown fuses may indicate a direct short to ground, high current draw, improper wiring, incorrect fuse or breaker size and/or type. This needs to be evaluated by a certified electrician.

Motor Hookup and Starter Installation

Branch circuit protection must be provided as specified in the United States National Electrical Code, Chapter 2, "Wiring Design and Protection." Article 210, using the applicable article "For Motors and Motor Controllers," (Article 430, Table 430-1 52).

IMPORTANT: Overload protection is required for all motors.

Motors used do not have built-in overload protection. A magnetic starter is required. Refer to the following wiring diagrams for electrical installation (Figures 8 & 9).



Figure 6 - 460 Volt Conversion Kit - Tire and Lube Series

Direction of Rotation

NOTE: Improper rotation will result in reduced compressor life.

The direction of rotation must be counterclockwise (as shown by the arrow on the flywheel in Figure 7) while facing the flywheel side of the pump. The motor nameplate will show wiring information for counterclockwise rotation.

The proper direction is very important. The direction of rotation of 3 phase motors can be reversed by interchanging any two motor-line leads. For single phase motors, refer to the motor nameplate.

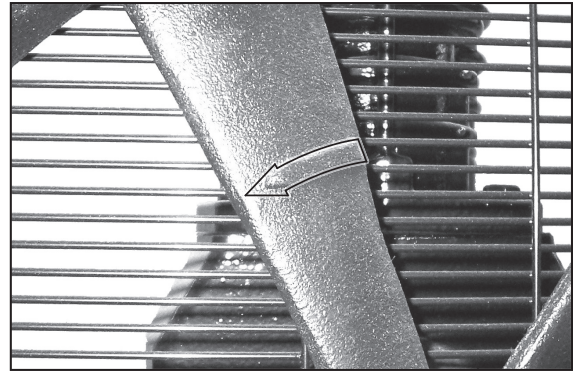


Figure 7 - Direction of rotation

INSTALLATION INSTRUCTIONS (CONTINUED)

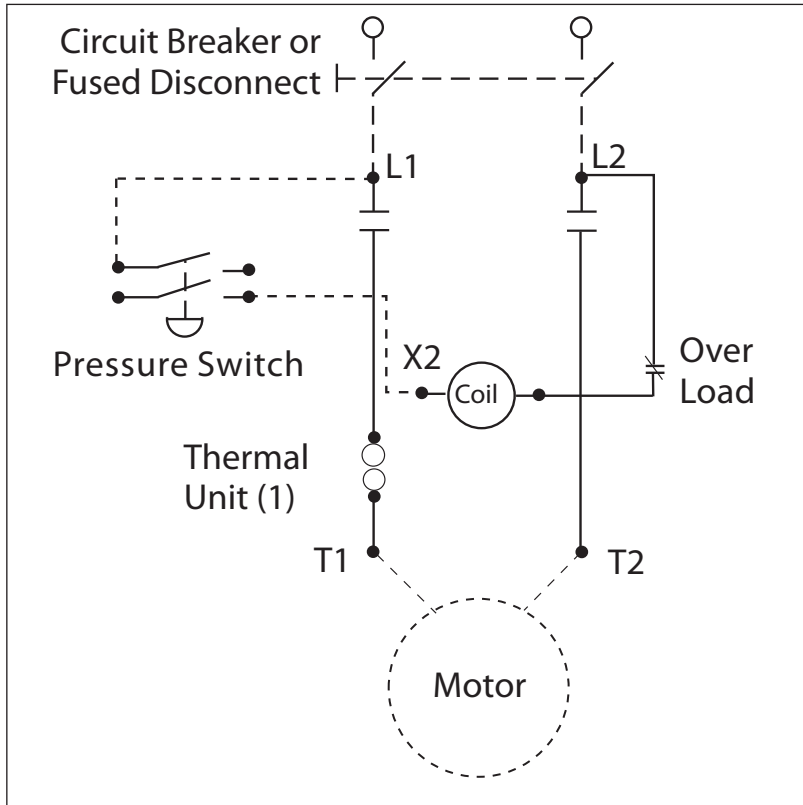


Figure 8 - Single Phase Wiring Diagram

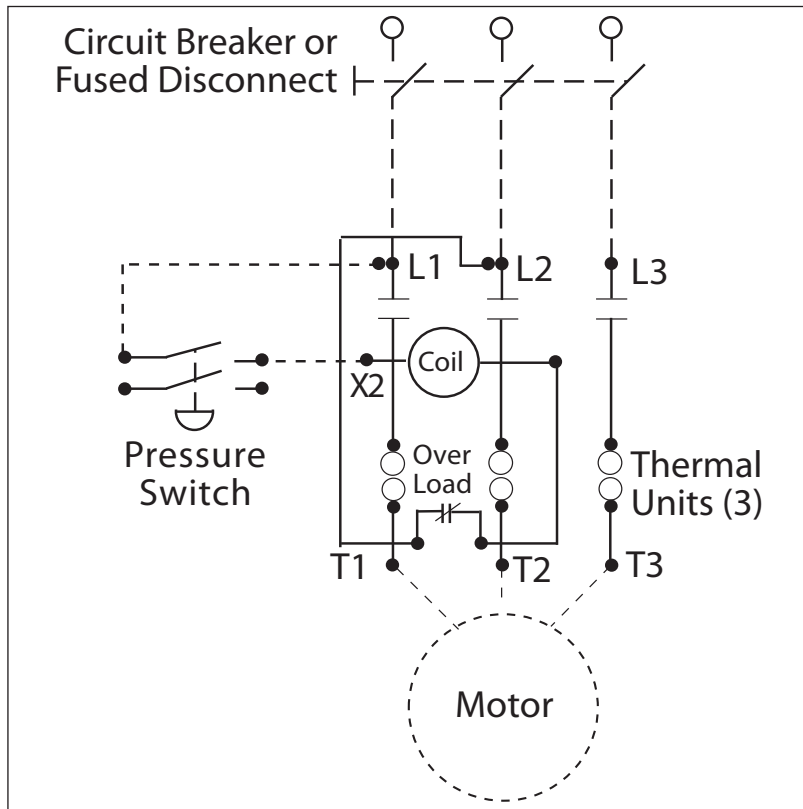


Figure 9 - Three Phase Wiring Diagram

**INSTALLATION INSTRUCTIONS
(CONTINUED)****Lubrication**

⚠ CAUTION *This unit contains no oil. Before operating compressor, fill to the center of the sight gauge (see Figure 10).*

⚠ CAUTION *Using any other type of oil may shorten pump life and damage valves.*

Quick Reference**Recommended Oil (2 Options)**

Single viscosity SAE 30 ISO100 nondetergent compressor oil. Part number 4ZF21 or 1WG50.

10W30 synthetic oil such as Mobil 1® or 1WG49.

Oil Capacity

Approximately 2 quarts

Fill the pump with oil to the center of the sight gauge using oil fill opening (see Figure 10). Do NOT fill the pump through the breather cap opening as this may cause oil to leak and spray out during operation.

NOTE: Some residual oil may still be in the pump from factory testing leaving a thin coat on the sight gauge; however, there is not enough oil to operate the unit.

OPERATING INSTRUCTIONS

IMPORTANT: Check motor rotation before operating the compressor.

All lubricated compressor pumps discharge some condensed water and oil with the compressed air. Install appropriate water/oil removal equipment and controls as necessary for the intended application.

NOTICE

Failure to install appropriate water/oil removal equipment may result in damage to machinery or workpiece.

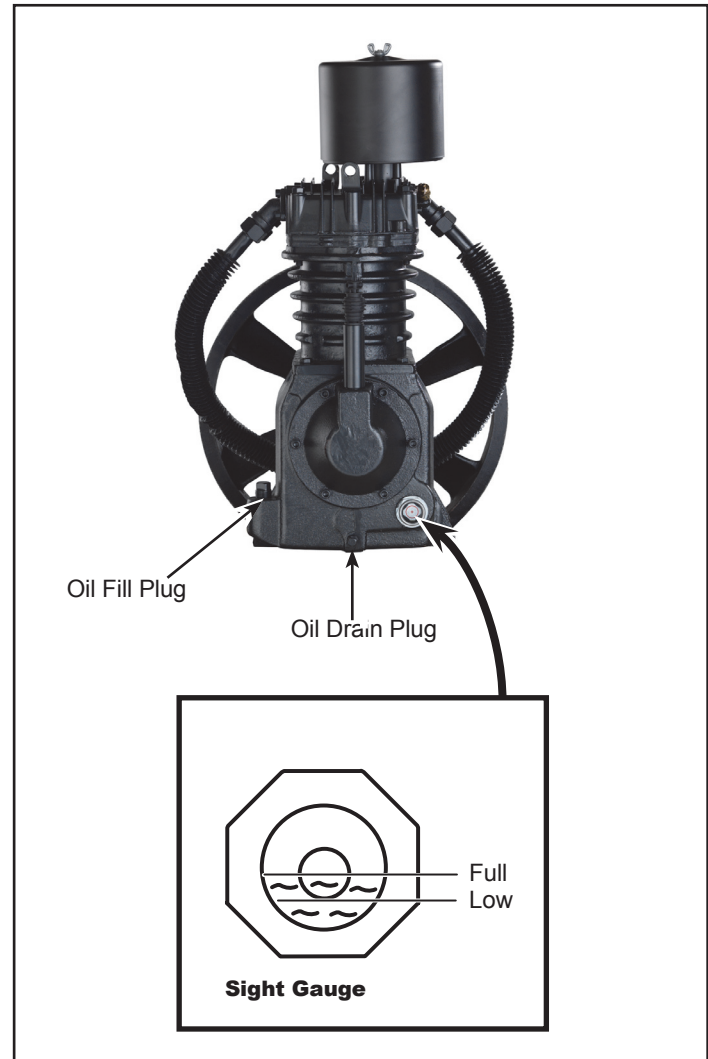


Figure 10 - Lubrication

OPERATING INSTRUCTIONS (CONTINUED)

Guarding

▲ WARNING *The belt guard provided must be installed before operating the unit.*

All moving parts must be guarded. All electrical covers must be installed before turning on the power.

Recommended Break-In Period

The compressor should be run continuously for one hour to allow proper seating of the piston rings.

1. Open drain cock completely and run the compressor for 60 minutes.
2. Turn off the compressor and close drain cock. The compressor is now ready for use.

Pressure Switch, Start - Stop

NOTE: This compressor has a maximum operating pressure of 175 psi. Do not alter pressure settings on control components above this limit.

The compressor unit starts and stops based on preset pressure switch settings of 145 psi cut-in and 175 psi cut-out. The pressure switch contains an unloader which is a small valve that vents air to allow the motor to start easily (see Figure 11).

The unloader valve on the pressure switch should hiss for a short period of time when the compressor shuts off. This relieves the head and the exhaust tubing of any pressure and allows the compressor to start under no load. Because compressors have high starting torque the unloader is necessary for proper starting of the compressor.

The check valve is a one way valve that keeps the air in the tank when the unit shuts off. The easiest way to determine if the check valve is working properly is to make sure that the pressure switch unloader quits hissing after the compressor shuts off. The hissing should last for several seconds and then quit.

Crankcase Breather

During severe operating conditions or initial start-up, some oil may accumulate at the crankcase breather opening. This is normal and will diminish as the pump accumulates run time and the piston rings become fully seated.

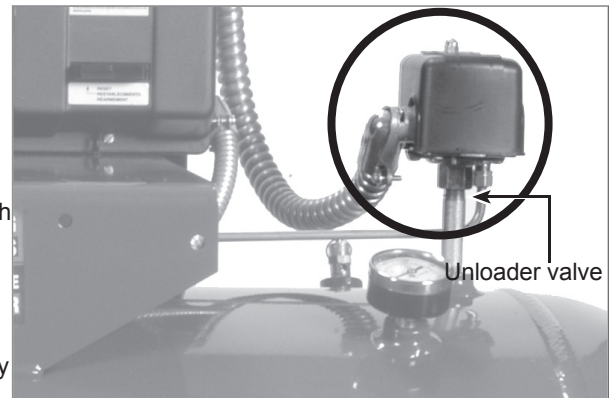


Figure 11 - Pressure Switch

TROUBLESHOOTING GUIDE FOR NEW INSTALLATIONS

Symptom	Possible Cause(s)	Corrective Action
Unit fails to start - Motor makes no noise	1. Insufficient power to compressor	1. Source electric to the compressor is either the incorrect voltage, insufficient wire size to carry the load, the fuse box or breaker box is not sufficient to carry the load requirements to the compressor.
	2. Unit wired incorrectly	2. Any wiring other than what is stated in the manual could cause a malfunction (see Wiring Section)
	3. Wrong voltage supplied to unit	3. Make sure voltage is correct with the motor wiring (see Wiring Section)
	4. Loose electrical connections	4. The entire electrical system should be checked by a certified electrician. The incoming wires and the compressor electrical connections should be checked. Loose connections will cause malfunctions
	5. Wrong size wiring	5. Check that wire size is rated for the current of the compressor. State and local codes vary widely and need to be checked before installation
	6. Blown fuse and/or tripped breaker	6. The breaker and fuses required for this unit must be time delay. A tripped breaker or blown fuse may result from a direct short to ground, high current draw, improper wiring, incorrect fuse or breaker size and/or type. This needs to be evaluated by a service center or certified electrician
	7. Starter overload tripped	7. Check and reset if necessary. If the overload trips after the initial reset, refer to the below section "reset trips on starter."
Unit fails to start - Motor hums	1. Unit wired incorrectly	1. Any wiring other than what is stated in the manual could cause a malfunction (see Wiring Section)
	2. Wrong voltage	2. Make sure voltage is correct with the motor wiring (see Wiring Section)
	3. Loose electrical connections	3. The entire electrical system should be checked by a certified electrician. The incoming wires and the compressor electrical connections should be checked. Loose connections will cause malfunctions
Reset trips on starter	1. Unit wired incorrectly	1. Check voltage, wire size, etc. This problem needs to be evaluated and corrected (see Wiring Section)
	2. Wrong voltage	2. Make sure voltage is correct with the motor wiring (see Wiring Section)
	3. Wrong size wiring	3. Check to make sure wire size is rated for the current of the compressor. Check that wire size is rated for the current of the compressor. State and local codes vary widely and need to be checked before installation
Unit starts but does not get to full speed	1. Insufficient power to compressor	1. Source electric to the compressor is either the incorrect voltage, insufficient wire size to carry the load, the fuse box or breaker box is not sufficient to carry the load requirements to the compressor
	2. Loose electrical connections	2. The entire electrical system should be checked by a certified electrician. The incoming wires and the compressor electrical connections should be checked. Loose connections will cause malfunctions
Unit does not make any or very little air	1. Drain valve open	1. Make sure the drain valve at the bottom of the tank is closed
	2. Air leak	2. Check the entire system for leaks, including the compressor unit and any piping attached to the compressor
	3. Restricted or blocked intake	3. Make sure that the air intake of the compressor is not blocked in any way

Continued on next page

TROUBLESHOOTING GUIDE FOR NEW INSTALLATIONS

Symptom	Possible Cause(s)	Corrective Action
Unit runs very noisy	<ol style="list-style-type: none"> 1. Damage to the compressor 2. Loose fasteners 3. Loose flywheel or pulley 4. Improper installation 	<ol style="list-style-type: none"> 1. Check to make sure the compressor has not been damaged in the shipping or installation. Make sure the belt guard was not damaged. Belt guard should not be making contact with flywheel or pulley 2. Check all bolts and nuts to assure they did not loosen during shipping 3. Check to assure pulley and flywheel are correctly tightened 4. If unit is left on skid it may cause excessive vibration. Remove unit from skid and mount loosely to floor with vibration pads and anchor bolts. Do not tighten bolts tight. Leave nut loose approximately 1/8 inch from compressor foot
Oil in discharge air or out crankcase breather	<ol style="list-style-type: none"> 1. Break in period 2. Wrong type of oil 3. Improper environment 	<ol style="list-style-type: none"> 1. Some oil in the exhaust air is normal during the break-in period and during heavy usage after the break-in period. Oil discharge should reduce as hours are accumulated on the unit 2. Do not use SAE-30 automotive type oil. Using the wrong oil can cause problems with the pump and will void the warranty. Only use the oils that the operating manual recommends (see Lubrication section) 3. Unit should not be installed in a poorly vented area or exposed to extreme cold or hot conditions. Normal operating range should be between 32°F and 100°F
Compressor seems to run hot	Rotation incorrect	Check to make sure the compressor is running the direction of the flywheel arrow. Air flow should be so that the flywheel directs air across the head of the pump. Standing in front of the compressor (non-belt guard side) air should flow back to front

TROUBLESHOOTING GUIDE FOR UNITS IN SERVICE FOR A PERIOD OF TIME

Symptom	Possible Cause(s)	Corrective Action
Motor does not run	1. Loose electrical connections	1. The entire electrical system should be checked by a certified electrician. The incoming wires and the compressor electrical connections should be checked. Loose connections will cause malfunctions
	2. Blown fuse and/or tripped breaker	2. The breaker and fuses required for this unit must be time delay. A tripped breaker or blown fuse may result from a direct short to ground, high current draw, improper wiring, incorrect fuse or breaker size and/or type. This needs to be evaluated by a service center or certified electrician
	3. Starter overload tripped	3. Check and reset if necessary. If the overload trips after the initial reset, refer to "Troubleshooting Guide for New Installations."
	4. Defective capacitor	4. Check and replace (if necessary) defective capacitor
	5. Defective magnetic starter	5. First check for any loose wiring and tighten if loose. Check and replace (if necessary) defective magnetic starter
Motor hums; motor draws high amps, trips overload, trips breaker, or blows fuse on start up	1. Defective pressure switch unloader	1. Drain the tank of all pressure. Restart compressor under no load. If compressor is able to start, then the unloader needs to be checked. If this problem is not corrected it will fail the motor and / or other electrical components
	2. Defective check valve - constant loss of tank pressure	2. Determine if the check valve is working properly - pressure switch unloader should quit hissing after the compressor shuts off. If the hissing continues and if there is a constant loss of tank pressure, then the check valve is not working properly. Replace check valve
	3. Loose electrical connections	3. The entire electrical system should be checked by a certified electrician. The incoming wires and the compressor electrical connections should be checked. Loose connections will cause malfunctions
	4. Defective capacitor	4. Check and replace (if necessary) defective capacitor
	5. Valve problem or blown gasket	5. Check gasket and replace as needed. Other symptoms occur when a valve is not sealing or a gasket is blown such as higher than normal amp draw which may trip out the overload or breaker
Compressor runs but builds pressure slowly	1. Air leak	1. Check the entire system for leaks, including the compressor unit and any piping attached to the compressor
	2. Dirty air filter	2. Air filters need to be changed regularly based on usage and environment. A dirty filter may appear to be clean. Change filters often
	3. Valve problem or blown gasket	3. Check gasket and replace as needed. Other symptoms occur when a valve is not sealing or a gasket is blown such as higher than normal amp draw which may trip out the overload or breaker
	4. Tank cracked	4. Replace the tank. The unit should not be run under any conditions. Tanks cannot be welded or patched
Interstage safety valve pops off when the unit is running	1. Valve problem or worn gasket	1. Check and replace valve or gaskets as needed.
	2. Low head bolt torque	2. Check and retighten head bolts to specified torque
	3. Defective interstage safety valve	3. Replace interstage safety valve. Under no circumstances plug the safety valve port
Oil out breather	1. Worn rings or scored cylinder	1. Replace rings and/or replace cylinder
	2. Compressor running hot	2. Make sure compressor is running the correct rotation. Compressor should be clean and in a well ventilated area. Oil should be changed on regular intervals according to the specifications listed in the manual. Air filter must be changed as it gets dirty

Continued on next page

TROUBLESHOOTING GUIDE FOR UNITS IN SERVICE FOR A PERIOD OF TIME (CONTINUED)

Symptom	Possible Cause(s)	Corrective Action
Milky oil in crankcase	<ol style="list-style-type: none"> 1. Low usage of compressor - water is condensing in the crankcase 2. Wrong type of oil 3. Improper environment 4. Rotation incorrect 5. Slight leakage of tank check valve 	<ol style="list-style-type: none"> 1. Run the compressor continuously for 1 hour. The heat generated during this running period will evaporate the moisture out of the oil 2. Do not use SAE-30 automotive type oil. Using the wrong oil can cause various problems with the pump and will void the warranty. Only use the oils that the operating manual recommends 3. Unit should not be installed in a poorly vented area or exposed to extreme cold or hot conditions. Normal operating range should be between 32°F and 100°F 4. Check to make sure the compressor is running the direction of the flywheel arrow. Air flow should be so that the flywheel directs air across the head of the pump. Standing in front of the compressor (non-belt guard side) air should flow back to front 5. Air cools and condensates, then leaks back into the pump. Draining tank of air after use will normally take care of this situation
Pressure switch continually blows air out the unloader valve	Defective check valve	Replace check valve
Pressure switch does not release air when the compressor shuts off.	Pressure switch unloader not working properly	Drain the tank of all pressure. Restart compressor under no load. If compressor is able to start, then the unloader needs to be checked. If this problem is not corrected it will fail the motor and / or other electrical components
Compressor will not shut off	<ol style="list-style-type: none"> 1. Defective pressure switch 2. Defective safety valve 	<ol style="list-style-type: none"> 1. Setting too high. Replace pressure switch 2. Make sure tank pressure gauge is reading correctly and if necessary replace tank safety valve
Unit vibrates excessively	<ol style="list-style-type: none"> 1. Loose fasteners 2. Loose pulley, loose belt or misalignment or pulleys 3. Defective pump 	<ol style="list-style-type: none"> 1. This includes mounting bolts for the pump, motor, belt guard, mag. starter, etc. Check for loose fasteners as part of a routine maintenance schedule. Tighten any loose fasteners 2. The pulley and belt may need to be tightened over time. The pulleys may need to be realigned to assure proper belt wear and lower vibration. These should be checked as part of regular maintenance 3. A defective pump includes knocking or making noises not normal to the pump design. Severe oil out the breather usually indicates ring or cylinder wear. Low pump performance could indicate valve problems. There are numerous symptoms associated with a defective pump. The pump will need to be evaluated
Water in discharge air	<ol style="list-style-type: none"> 1. Hot humid weather 2. Water accumulated in the tank 	<ol style="list-style-type: none"> 1. During hot and humid weather it is normal to accumulate water in the compressor tank. This is normal and requires frequent draining of tank. We recommend use of an automatic drain along with filters and dryers if this is a problem 2. Drain tank of water to prevent tank corrosion and air tool wear. It is recommended use of an automatic drain along with filters and dryer to prevent water into exhaust air of the compressor

Continued on next page

TROUBLESHOOTING GUIDE FOR UNITS IN SERVICE FOR A PERIOD OF TIME (CONTINUED)

Symptom	Possible Cause(s)	Corrective Action
Oil in discharge air	<ol style="list-style-type: none">1. Restricted intake filter2. Wrong type of oil3. Worn rings or scored cylinder4. Compressor running hot	<ol style="list-style-type: none">1. The filter should be changed frequently to avoid possible problems and to make the compressor operation efficient. There is a vacuum created in the intake of the compressor, which causes high oil consumption by pulling oil through the rings. There is also a chance of the intake filter media being destroyed, allowing contaminants to enter the intake and cause wear problems2. Do not use SAE-30 automotive type oil. Using the wrong oil can cause various problems with the pump and will void the warranty. Only use the oils that the operating manual recommends3. Replace rings and/or replace cylinder4. Make sure compressor is running the correct rotation. Compressor should be clean and in a well ventilated area. Oil should be changed on regular intervals according to the specifications listed in the manual. Air filter must be changed as it gets dirty

MAINTENANCE AND INSPECTION INSTRUCTIONS**⚠ WARNING**

Disconnect, tag and lock out power source then release all pressure from the system before attempting to install, service, relocate or perform any maintenance.

In order to maintain efficient operation of the compressor system, check the air filter and oil level before each use. The ASME safety valve should also be checked daily (see Figure 12). Pull ring on safety valve and allow the ring to snap back to normal position. This valve automatically releases air if the tank pressure exceeds the preset maximum. If air leaks after the ring has been released, or the valve is stuck and cannot be actuated by the ring, the ASME safety valve must be replaced.

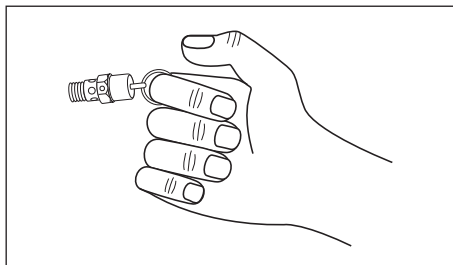


Figure 12 - ASME Safety Valve

⚠ WARNING

Do not tamper with the ASME safety valve.

Tank**⚠ WARNING**

Never attempt to repair or modify a tank! Welding, drilling or any other modification will weaken the tank resulting in damage from rupture or explosion. Always replace worn, cracked or damaged tanks.

NOTICE

Drain liquid from tank daily.

The tank should be carefully inspected at a minimum of once a year. Look for cracks forming near the welds. If a crack is detected, remove pressure from tank immediately and replace.

Compressor Lubrication

See Installation. Add oil as required. The oil should be changed every three months or after every 500 hours of operation; whichever comes first.

If the compressor is run under humid conditions for short periods of time, the humidity will condense in the crankcase and cause the oil to look creamy. Oil contaminated by condensed water will not provide adequate lubrication and must be changed immediately. Using contaminated oil will damage bearings, pistons, cylinders and rings and is not covered under warranty. To avoid water condensation in the oil, periodically run the compressor with tank pressure near 150 psi for two-stage compressors or 120 psi for single stage compressors by opening the drain cock or an air valve connected to the tank or hose. Run the pump for an hour at a time at least once a week or more often if the condensation reoccurs.

IMPORTANT: Change oil after first 50 hours of operation.

Air Filter

Never run the compressor pump without an intake air filter or with a clogged intake air filter. The air filter element should be checked monthly (see Figure 13). Operating compressor with a dirty filter can cause high oil consumption and increase oil contamination in the discharge air. If the air filter is dirty it must be replaced.



Figure 13 - Air Filter

MAINTENANCE AND INSPECTION INSTRUCTIONS (CONTINUED)

Intercooler



Intercooler fins are sharp, always wear gloves and use care when you clean or work near the intercooler.

Weekly, check the intercooler to be sure all fittings are secure and tight. Clean all dirt, dust and other accumulations from the intercooler fins.

Components

Turn off all power and clean the cylinder head, motor, fan blades, air lines, intercooler and tank on a monthly basis.

Belts



Lock out and tag the power then release all pressure from the tank to prevent unexpected movement of the unit.

Check belt tension every 3 months. Adjust belt tension to allow 3/8 inch to 1/2 inch deflection with normal thumb pressure. Also, align belts using a straight edge against the face of the flywheel and touching the rim on both sides of the face. The belts should be parallel to this straight edge (see Figure 14). Dimension A should be the same as B and C to ensure proper alignment of the belts.

Slots in the bed-plate allow for sliding the motor back and forth to adjust belt tension.

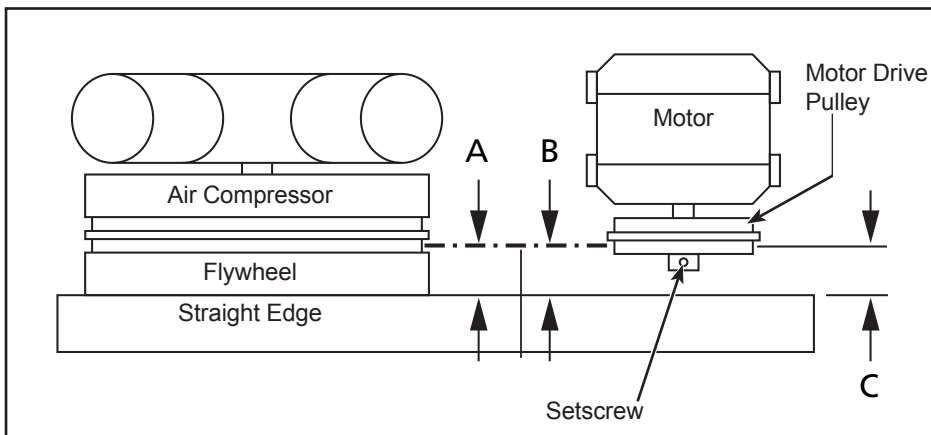
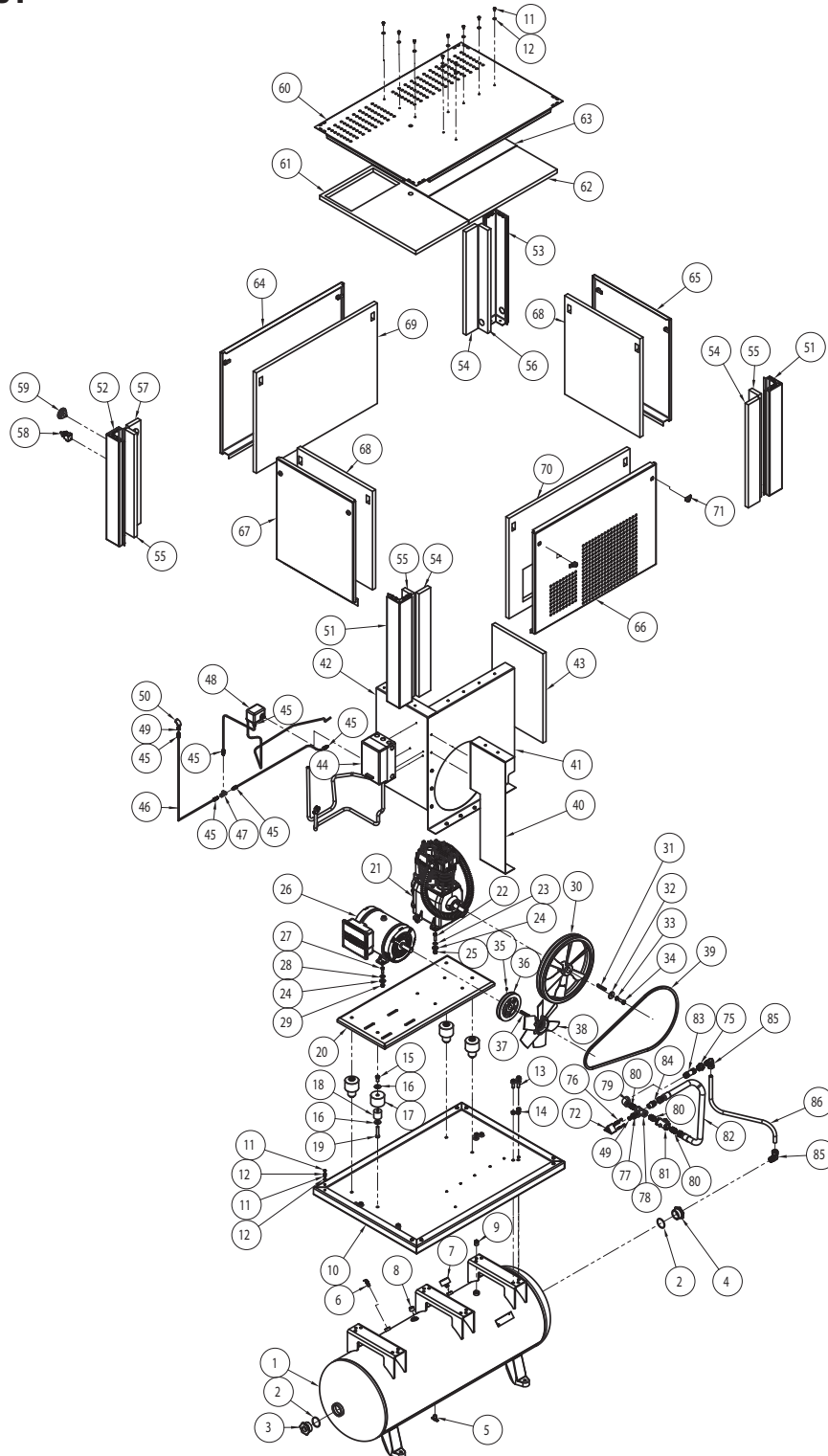


Figure 14 - Top View

Maintenance Schedule

Operation	Daily	Monthly	3 Months
Check Safety Valve	●		
Drain Tank	●		
Check Oil Level	●		
Clean or Change Air Filter		●	
Check Intercooler		●	
Clean Unit Components		●	
Check Belt Tightness			●
Change Oil (see Figure 10)			●

REPAIR PARTS ILLUSTRATION FOR 35WC74, 35WC75, 35WC76, 35WC77, 35WC78, 35WC79, 35WC80, 35WC81

For Repair Parts, call 1-800-Grainger
24 hours a day – 365 days a year

Please provide following information:

- Model number
- Serial number (if any)
- Part description and number as shown in parts list

REPAIR PARTS LIST FOR 35WC74, 35WC75, 35WC76, 35WC77, 35WC78, 35WC79, 35WC80, 35WC81

Ref. No.	Description	Part Number:	Qty.
1 *	AIR TANK		
	MODELS 35WC74, 35WC75, 35WC78, 35WC79	5Z404	1
	MODELS 35WC76, 35WC77, 35WC80, 35WC81	5F566	1
2 *	O-RING-2.109 ID-0.139 CS	ST070190AV	2
3 *	2" X 1" REDUCER W/O-RING	PG201003AV	1
4 *	2" X 3/4 REDUCER	PG201002AV	1
5 *	DRAIN COCK 3/8	45U948	1
6 *	230 PSI ASME SAFETY VALVE	V-215110AV	1
7 *	300 PSI 1/4" NPT PRESSURE GAUGE	GA031901AV	1
8 *	3/4-14 0 PIPE PLUG	ST072916AV	1
9 *	1/2-14 0 PIPE PLUG	ST072921AV	1
10	QE PAN BOTTOM	CE010500AV	1
11	HHCS 1/4-20 0.5 LG-CLEAR ZINC-STEEL-GR2	ST070612AV	44
12	WASHER-1/4-N-ID 0.281 OD 0.625-CLEAR ZINC	ST070910AV	44
13	HEX FLANGE SCREW	ST171303AV	12
14	HEX NUT 1/2-13 -PLAIN	ST070732AV	12
15	HHCS 1/2-13 1 LG-CLEAR ZINC-STEEL-GR5	ST070647AV	4
16	WASHER-1/2-W-ID 0.562 OD 1.375-CLEAR ZINC	ST070918AV	8
17	NEOPRENE VIBRATION DAMPING SANDWICH MOUNT	RD000300AV	4
18	RAISE PLATE	CE010400AV	4
19	HHCS 1/2-13 2.5 LG-CLEAR ZINC-STEEL-GR5	ST070648AV	4
20	QE BASEPLATE	BA863000AV	1
21	TF PUMP ASSEMBLY	TF061903AV	1
22	HHCS 7/16-14 1.5 LG-CLEAR ZINC-STEEL-GR5	ST070645AV	4
23	WASHER-7/16-N-ID 0.469 OD 0.922-CLEAR ZINC	ST070915AV	4
24	WASHER-7/16-W-ID 0.5 OD 1.25-CLEAR ZINC	ST070916AV	7
25	HEX NUT 1/2-13 -ZINC	ST070733AV	4
26	MOTOR		
	MODELS 35WC74, 35WC78	45U933	1
	MODELS 35WC75, 35WC79	MC033500SJ	1
	MODELS 35WC76, 35WC80	MC025100AV	1
	MODELS 35WC77, 35WC81	MC033600SJ	1
27	HHCS 3/8-16 1.25 LG-CLEAR ZINC-STEEL-GR2	ST070638AV	4
28	WASHER-3/8-W-ID 0.438 OD 1-CLEAR ZINC	ST070914AV	4
29	3/8"-16 FLANGE NUT	ST033500AV	4
30	16" CAST IRON FLYWHEEL	PU016701AV	1
31	KEY FLYWHEEL	KE001301AV	1
32	WASHER	TX034600AV	1
33	WASHER-1/2-ID 0.509 OD 0.873-MECHANICAL ZINC	ST071015AV	1
34	HHCS 1/2-13 1.25 LG-CLEAR ZINC-STEEL-GR5	ST070603AV	1
35	SET SCREW	--	1
36	PULLEY 6.7 1-3/8 BORE		
	MODELS 35WC74, 35WC75, 35WC78, 35WC79	PU008003AV	1
	MODELS 35WC76, 35WC77, 35WC80, 35WC81	PU204100AV	1
37	PULLEY KEY	--	1
38	MOTOR FAN	RD001700AV	1
39	BELT B-70 SINGLE		
	MODEL 35WC74, 35WC78	BT022001AV	1
	MODEL 35WC75, 35WC79	BT004322AV	1
	MODEL 35WC76, 35WC77, 35WC80, 35WC81	BT008501AV	1
40	QE HALF PARTITION	CE009900AV	1

* TANK MOUNTED UNITS ONLY

GETTING STARTED

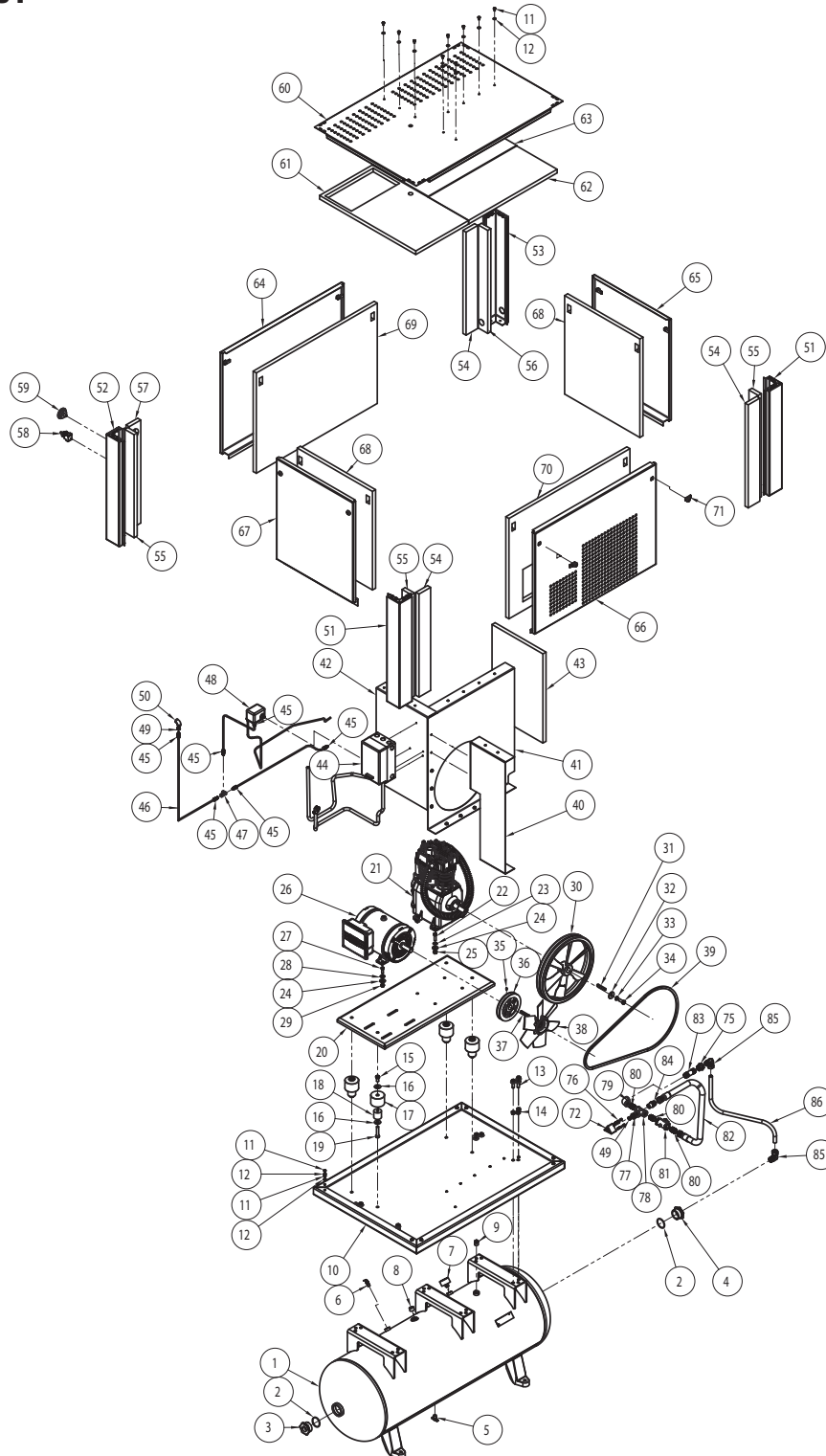
SAFETY / SPECIFICATIONS

ASSEMBLY / INSTALLATION

OPERATION

TROUBLESHOOTING

MAINTENANCE / REPAIR

REPAIR PARTS ILLUSTRATION FOR 35WC74, 35WC75, 35WC76, 35WC77, 35WC78, 35WC79, 35WC80, 35WC81

For Repair Parts, call 1-800-Grainger
24 hours a day – 365 days a year

Please provide following information:

- Model number
- Serial number (if any)
- Part description and number as shown in parts list

REPAIR PARTS LIST FOR 35WC74, 35WC75, 35WC76, 35WC77, 35WC78, 35WC79, 35WC80, 35WC81

Ref. No.	Description	Part Number:	Qty.
41	FLYWHEEL PARTITION	CE009600AV	1
42	QE FULL PARTITION	CE009800AV	1
43	QE SOUND FOAM FULL PARTITION	RD000600AV	1
44	MOTOR STARTERS		
	MODELS 35WC74, 35WC78	SA002200AJ	1
	MODELS 35WC75, 35WC79	SA002300AJ	1
	MODELS 35WC76, 35WC80	SA002400AJ	1
	MODELS 35WC77, 35WC81	SA002500AJ	1
45	1/8 COMPRESSION NUT FITTING	ST072003AV	6
46	UNLOADER TUBE	RD002100AV	1
47	PIPE TEE 1/8-27	ST070401AV	1
48	PRESSURE SWITCH	33MH71	1
49	REDUCER 1/4 TO 1/8	ST071437AV	2
50	PIPE ELBOW 1/4 NPT 90 DEG	ST074228AV	1
51	CORNER FRAME	CE009300AV	2
52	QE FRAME CORNER W HOUR METER	CE009500AV	1
53	QE CORNER FRAME W EXHAUST OUTLET	CE009400AV	1
54	QE SOUND FOAM CORNER FRONT	RD000400AV	3
55	QE SOUND FOAM CORNER SIDE	RD000500AV	3
56	QE SOUND FOAM CORNER SIDE EXHAUST OUTLET	RD001000AV	1
57	QE SOUND FOAM CORNER FRONT GAUGE START SWITCH	RD001100AV	1
58	LIGHTED 2-POS SWITCH (NO)	PE000560AV	1
59	PANEL MOUNT 300 PSI GAUGE	RD000100AV	1
60	QE SHEET METAL TOP	CE008900AV	1
61	QE SOUND FOAM MOTOR SIDE TOP	RD000700AV	1
62	QE SOUND FOAM PUMP BACK TOP	RD000800AV	1
63	QE SOUND FOAM PUMP SIDE TOP	RD000900AV	1
64	QE FRONT PANEL	CE009700AV	1
65	QE SIDE PANEL PUMP	CE009100AV	1
66	QE BACK PANEL	CE009200AV	1
67	QE SIDE PANEL MOTOR	CE009000AV	1
68	QE SOUND FOAM SIDE PANEL	RD001900AV	2
69	QE SOUND FOAM FRONT PANEL	RD002000AV	1
70	QE SOUND FOAM BACK PANEL	RD001800AV	1
71	7/8" HEAD SLOTTED CAM LATCH	RD001600AV	8
72	TRIANGULAR FITTING	RD001200AV	1
73	HEX NUT 1/4-20 -CLEAR ZINC	ST070712AV	16
74	1/8 COMPRESSION NUT	ST072311AV	1
75	BULKHEAD ADAPTER	PS006702AV	1
76	1/4-20" 2" SHCS PARTIAL THD	RD001300AV	3
77	BRASS REDUX BUSH 3/4 X 1/4	ST071439AV	1
78	TEE 3/4 NPT	ST070421AV	1
79	ELBOW 90 DEG X 3/4 NPT	ST074205AV	1
80	3/4-14 CLOSE NIPPLE	ST085314AV	3
81	3/4" HORIZ IN-LINE CHECK VALVE	RD001500AV	1
82	HOSE ASSEMBLY	RD001400AV	1
83	BRASS NIPPLE 3/4P X 3.0	ST179113AV	1
84	JIC #12 HOSE FITTING X 3/4' MNPT STRAIGHT	ST186405AV	1
85	ELBOW 3/4 NPT- 3/4 COMPRESSION	ST072228AV	2
86	.75 COPPER TUBING EXHAUST	CE002800AP	1

SPEEDAIRE THREE-YEAR LIMITED WARRANTY

SPEEDAIRE THREE-YEAR LIMITED WARRANTY. All Speedaire® product models covered in this manual are warranted by W.W. Grainger, Inc. ("Grainger") to the original user against defects in workmanship or materials under normal use for three years after date of purchase. If the Speedaire Product is part of a set, only the portion that is defective is subject to this warranty. Any product or part which is determined to be defective in material or workmanship and returned to an authorized service location, as Grainger or Grainger's designee designates, shipping costs prepaid, will be, as the exclusive remedy, repaired or replaced with a new or reconditioned product or part of equal utility or a full refund given, at Grainger's or Grainger's designee's option, at no charge. For limited warranty claim procedures, see "Warranty Service" below. This warranty is void if there is evidence of misuse, mis-repair, mis-installation, abuse or alteration. This warranty does not cover normal wear and tear of Speedaire Products or portions of them, or products or portions of them which are consumable in normal use. This limited warranty gives purchasers specific legal rights, and you may also have other rights which vary from jurisdiction to jurisdiction.

WARRANTY DISCLAIMERS AND LIMITATIONS OF LIABILITY RELATING TO ALL CUSTOMERS FOR ALL PRODUCTS

LIMITATION OF LIABILITY. TO THE EXTENT ALLOWABLE UNDER APPLICABLE LAW, GRAINGER'S LIABILITY FOR CONSEQUENTIAL AND INCIDENTAL DAMAGES IS EXPRESSLY DISCLAIMED. 'S LIABILITY IN ALL EVENTS IS LIMITED TO AND SHALL NOT EXCEED THE PURCHASE PRICE PAID.

WARRANTY DISCLAIMER. A DILIGENT EFFORT HAS BEEN MADE TO PROVIDE PRODUCT INFORMATION AND ILLUSTRATE THE SPEEDAIRE PRODUCTS IN THIS LITERATURE ACCURATELY; HOWEVER, SUCH INFORMATION AND ILLUSTRATIONS ARE FOR THE SOLE PURPOSE OF IDENTIFICATION, AND DO NOT EXPRESS OR IMPLY A WARRANTY THAT THE SPEEDAIRE PRODUCTS ARE MERCHANTABLE, OR FIT FOR A PARTICULAR PURPOSE, OR THAT THE SPEEDAIRE PRODUCTS WILL NECESSARILY CONFORM TO THE ILLUSTRATIONS OR DESCRIPTIONS. EXCEPT AS PROVIDED BELOW, NO WARRANTY OR AFFIRMATION OF FACT, EXPRESSED OR IMPLIED, OTHER THAN AS STATED IN THE "LIMITED WARRANTY" ABOVE IS MADE OR AUTHORIZED BY GRAINGER.

PRODUCT SUITABILITY. MANY JURISDICTIONS HAVE CODES AND REGULATIONS GOVERNING SALES, CONSTRUCTION, INSTALLATION, AND/OR USE OF PRODUCTS FOR CERTAIN PURPOSES, WHICH MAY VARY FROM THOSE IN NEIGHBORING AREAS. WHILE ATTEMPTS ARE MADE TO ASSURE THAT SPEEDAIRE PRODUCTS COMPLY WITH SUCH CODES, GRAINGER CANNOT GUARANTEE COMPLIANCE, AND CANNOT BE RESPONSIBLE FOR HOW THE PRODUCT IS INSTALLED OR USED. BEFORE PURCHASE AND USE OF A PRODUCT, REVIEW THE SAFETY/SPECIFICATIONS, AND ALL APPLICABLE NATIONAL AND LOCAL CODES AND REGULATIONS, AND BE SURE THAT THE SPEEDAIRE PRODUCT, INSTALLATION, AND USE WILL COMPLY WITH THEM.

CONSUMERS ONLY. CERTAIN ASPECTS OF DISCLAIMERS ARE NOT APPLICABLE TO CONSUMER PRODUCTS SOLD TO CONSUMERS; (A) SOME JURISDICTIONS DO NOT ALLOW THE EXCLUSION OR LIMITATION OF INCIDENTAL OR CONSEQUENTIAL DAMAGES, SO THE ABOVE LIMITATION OR EXCLUSION MAY NOT APPLY TO YOU; (B) ALSO, SOME JURISDICTIONS DO NOT ALLOW A LIMITATION ON HOW LONG AN IMPLIED WARRANTY LASTS, SO THE ABOVE LIMITATION MAY NOT APPLY TO YOU; AND (C) BY LAW, DURING THE PERIOD OF THIS LIMITED WARRANTY, ANY IMPLIED WARRANTIES OF MERCHANTABILITY OR FITNESS FOR A PARTICULAR PURPOSE APPLICABLE TO CONSUMER PRODUCTS PURCHASED BY CONSUMERS, MAY NOT BE EXCLUDED OR OTHERWISE DISCLAIMED.

THIS LIMITED WARRANTY ONLY APPLIES TO SPEEDAIRE PRODUCTS PURCHASED BY UNITED STATES PURCHASERS FOR DELIVERY IN THE UNITED STATES.

WARRANTY SERVICE

To obtain warranty service if you purchased the covered product directly from W.W. Grainger, Inc. ("Grainger"), (i) write or call or visit the local Grainger branch from which the product was purchased or another Grainger branch near you (see www.grainger.com for a listing of Grainger branches); or (ii) contact Grainger by going to www.grainger.com and clicking on the "Contact Us" link at the top of the page, then clicking on the "Email us" link; or (iii) call Customer Care (toll free) at 1-888-361-8649. To obtain warranty service if you purchased the covered product from another distributor or retailer, (i) go to www.grainger.com for Warranty Service; (ii) write or call or visit a Grainger branch near you; or (iii) call Customer Care (toll free) at 1-888-361-8649. In any case, you will need to provide, to the extent available, the purchase date, the original invoice number, the stock number, a description of the defect and anything else specified in this Speedaire Three-Year Limited Warranty. You may be required to send the product in for inspection at your cost. You can follow up on the progress of inspections and corrections in the same ways. Title and risk of loss pass to buyer on delivery to common carrier, so if product was damaged in transit to you, file claim with carrier, not the retailer or Grainger. For warranty information for purchasers and/or delivery outside the United States, please contact:

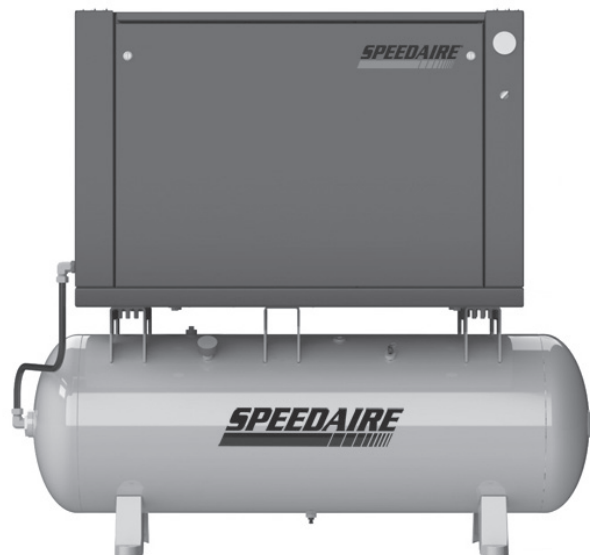
W.W. Grainger, Inc.

100 Grainger Parkway, Lake Forest, IL 60045 U.S.A.

or call +1-888-361-8649



SPEEDAIRE



Compresores de Aire Dúplex de dos Etapas

Modelos 35WC74, 35WC75, 35WC76, 35WC77,
35WC78, 35WC79, 35WC80, 35WC81



SPEEDAIRE

POR FAVOR, LEA Y GUARDE ESTAS INSTRUCCIONES. LEALAS CUIDADOSAMENTE ANTES DE TRATAR DE MONTAR, INSTALAR, OPERAR O DAR MANTENIMIENTO AL PRODUCTO AQUI DESCRITO.

PROTEJASE USTED MISMO Y A LOS DEMAS OBSERVANDO TODA LA INFORMACION DE SEGURIDAD. ¡EL NO CUMPLIR CON LAS INSTRUCCIONES PUEDE OCASIONAR DAÑOS, TANTO PERSONALES COMO A LA PROPIEDAD! GUARDE ESTAS INSTRUCCIONES PARA REFERENCIA EN EL FUTURO.

CONSULTE LA CUBIERTA POSTERIOR PARA VER LA INFORMACION DE GARANTIA DE SPEEDAIRE Y OTRA INFORMACION IMPORTANTE.

Núm. de Modelo: _____

Núm. de Serie: _____

Fecha de Compra: _____

Formulario 5S7608 / Impreso en USA

Versión 1 4/2015

© 2013 W.W. Grainger, Inc.

Reservados todos los derechos

ANTES DE COMENZAR**Introduction**

Esta línea de compresores de aire Speedaire son de dos fases, lubricados con aceite, reciprocantes compresores.

Los modelos de la serie Shop Air incluyen:

- Bomba de compresor
- Receptor de aire ASME con válvula de seguridad
- Motor eléctrico
- Arrancador
- Interruptor de presión
- Válvula de cierre

Referencia Rápida
Aceite recomendado (2 opciones)
Aceite no detergente de viscosidad única SAE 30 ISO100 para compresores. Pieza número 4ZF21 o 1WG50.
Aceite sintético 10W30 como Mobil 1® o 1WG49.
Capacidad de aceite
Aproximadamente 2 cuartos de galón (1,8 L)

DESEMPAQUE

▲ PRECAUCION *No levante ni mueva la unidad sin equipo con capacidad apropiada. Asegúrese de que la unidad está bien sujeta al dispositivo de levantamiento utilizado. No levante la unidad sujetando los tubos o enfriadores. No use la unidad para levantar otros equipos anexos.*

Después de desempacar la unidad, inspecciónela cuidadosamente para detectar cualquier daño que pueda haber ocurrido durante el traslado. Verifique que no haya partes flojas, faltantes o dañadas. Verifique que todos los accesorios incluidos se encuentran con la unidad. En caso de preguntas, partes dañadas o faltantes, por favor llame al 1-855-504-5678 para asistencia a clientes.

▲ ADVERTENCIA *No opere la unidad si se ha dañado durante el envío, manejo o uso. El daño puede ocasionar explosiones y causar lesiones o daños materiales.*

Artículos requeridos - No incluidos

- Aceite

Conozca su Compresor

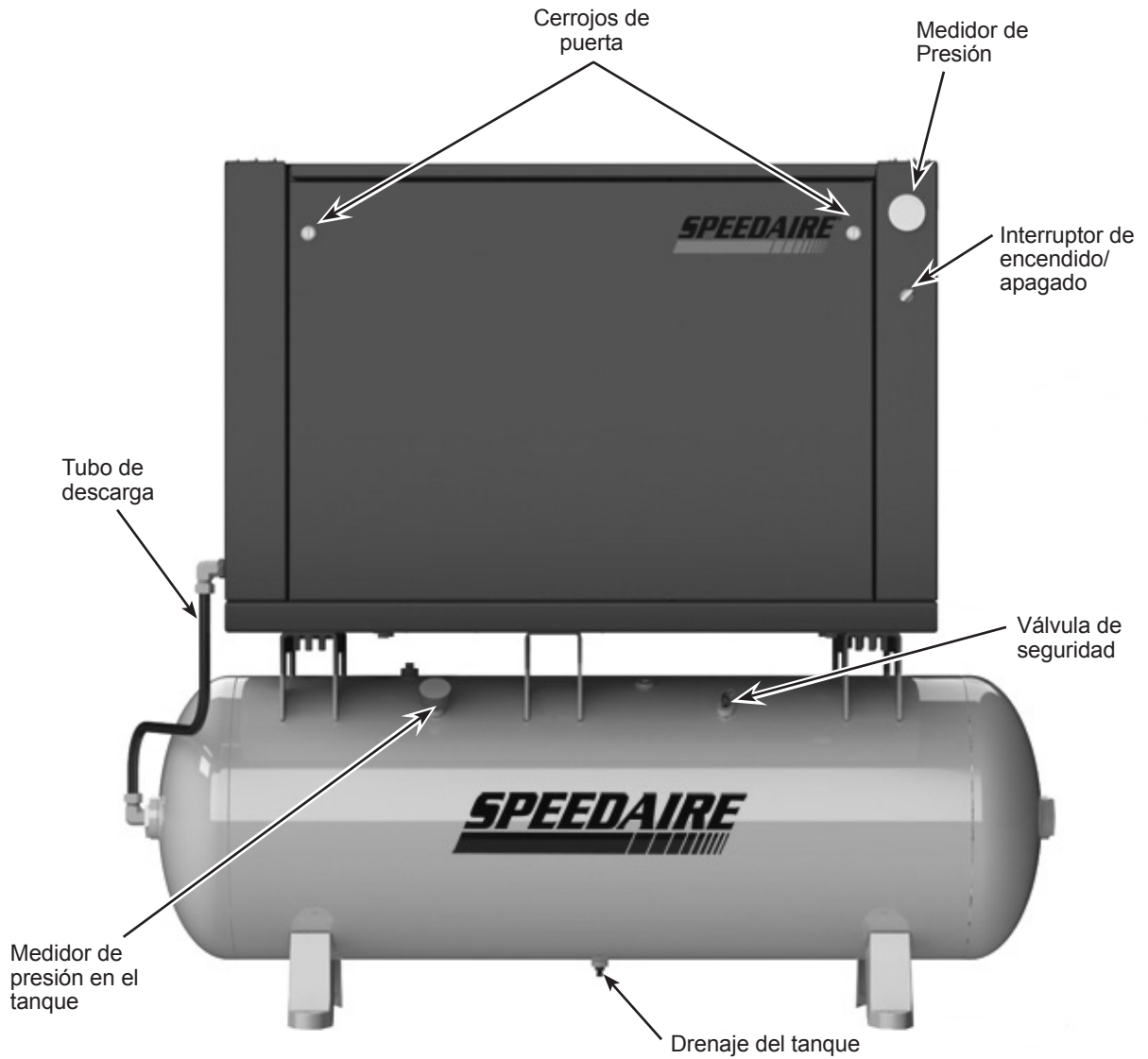


Figura 1

Conozca su Compresor

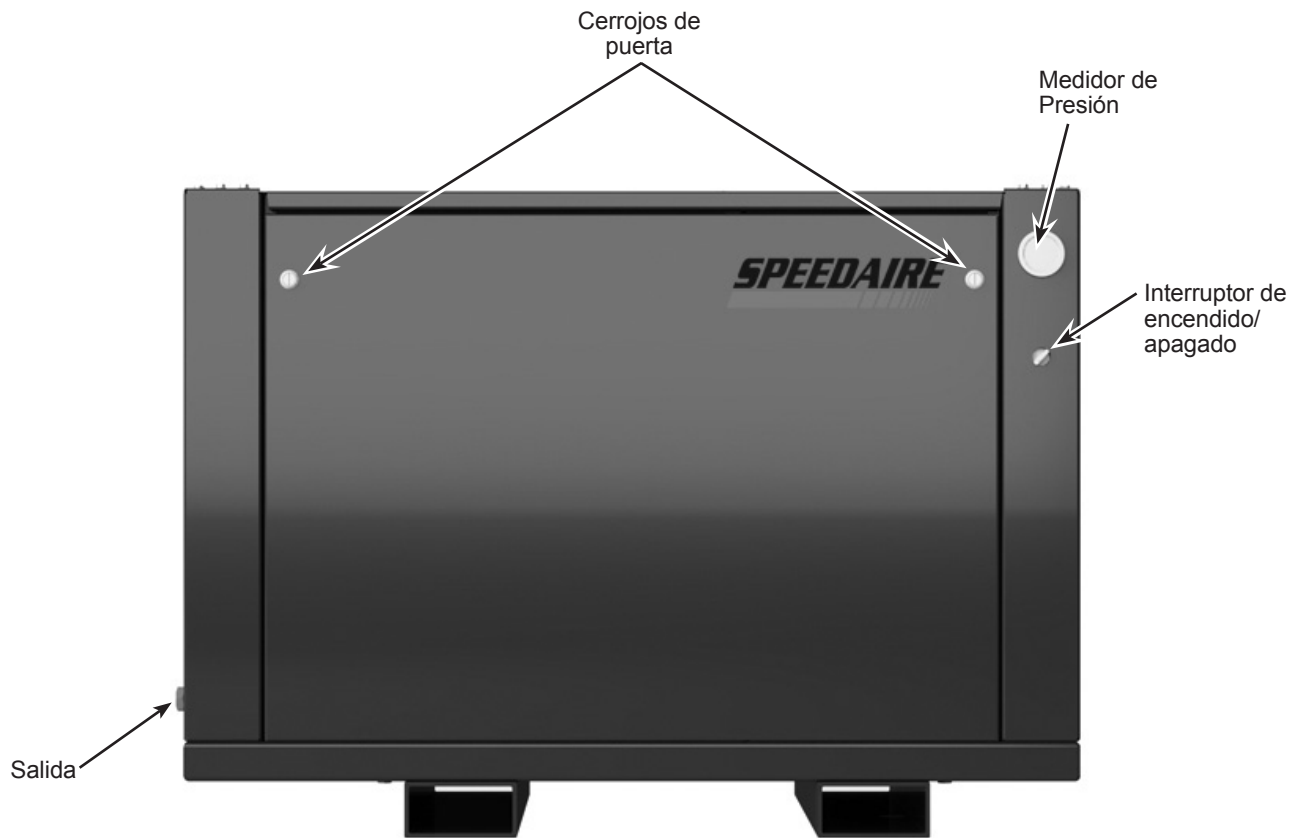


Figura 2

INSTRUCCIONES GENERALES DE SEGURIDAD

Medidas de Seguridad

Este manual contiene información que es muy importante que sepa y comprenda. Esta información se la suministramos como medida de SEGURIDAD y para EVITAR PROBLEMAS CON EL EQUIPO. Debe reconocer los siguientes símbolos.

**PELIGRO**

Esto le indica que hay una situación inmediata que LE OCASIONARIA la muerte o heridas de gravedad.

**ADVERTENCIA**

Esto le indica que hay una situación que PODRIA ocasionarle la muerte o heridas de gravedad.

**PRECAUCION**

Esto le indica que hay una situación que PODRIA ocasionarle heridas no muy graves.

AVISO

Esto le indica una información importante, que de no seguirla, le podría ocasionar daños al equipo.

NOTA: Nota indica información adicional referente al producto o a su uso correcto.

Símbolos de Seguridad

Los siguientes símbolos de seguridad aparecen a lo largo de este manual para advertirle de importantes peligros y precauciones de seguridad.



Use protección para los ojos y máscara



Lea primero el manual



Riesgo de incendio



Riesgo de piezas móviles



Riesgo de piezas calientes



Riesgo de explosión



Riesgo de vapores



Riesgo de presión



Riesgo de choque eléctrico

Proposición 65 de California



Este producto, cuando se usa para soldar, produce humos o gases que contienen químicos los cuales, según lo ha determinado el estado de California, causan defectos congénitos (u otros daños de la función reproductiva), y en algunos casos, el cáncer (Ley sobre Seguridad y Salud de California No. 25249.5 y siguientes)



Este producto y su cable de corriente contienen plomo, un químico que es conocido por el Estado de California como causante de cáncer y defectos de nacimiento u otros daños reproductivos. Lávese las manos después de manipularlo.



Información Importante de Seguridad

Por favor lea y guarde estas instrucciones. Lea cuidadosamente antes de intentar armar, instalar, operar o dar mantenimiento al producto descrito. Protéjase a sí mismo y a otros al seguir toda la información de seguridad. No cumplir con estas instrucciones podría resultar en lesiones personales y/o daños materiales. Conserve las instrucciones para futura referencia.

Este manual contiene información importante concierne a la seguridad operacional y mantenimiento. Si tiene cualquier pregunta, por favor llamar al 1-855-504-5678 para asistencia al cliente.

Dado que el compresor de aire y otros componentes (bomba de material, pistolas rociadoras, filtros lubricantes, mangueras, etc.) utilizados forman un sistema de bombeo de alta presión, las siguientes precauciones de seguridad deben cumplirse en todo momento:

Información Importante de Seguridad (Continuación)

⚠ PELIGRO

ADVERTENCIA SOBRE EL AIRE RESPIRABLE

Este compresor/cabezal no viene listo de fábrica para suministrarle aire respirable. Antes de utilizarlos con este fin, deberá instalarle un sistema de seguridad y alarma incorporado a la línea. Este sistema adicional es necesario para filtrar y purificar el aire adecuadamente, para cumplir con las especificaciones mínimas sobre aire respirable de Grado D descritas en la Especificación de Productos G 7.1 de la Asociación de Aire Comprimido. Igualmente, deberá cumplir los requisitos establecidos por el Artículo 29 CFR 1910. 134 de la Organización norteamericana OSHA y/o la Canadian Standards Associations (CSA).

RENUNCIA A LAS GARANTIAS

Si el compresor se utiliza para producir aire respirable SIN haberle instalado el sistema de seguridad y alarma, todas las garantías se anularán y la compañía Campbell Hausfeld no asumirá NINGUNA responsabilidad por pérdidas, heridas personales o daños.

Informaciones Generales de Seguridad



- Lea con cuidado todos los manuales incluidos con este producto. Familiarícese con los controles y el uso adecuado del equipo.
- Siga todos los códigos de seguridad laboral y electricidad establecidos en su país, por ejemplo, los de la NEC y OSHA en EUA.
- Este compresor sólo debe ser usado por personas que estén bien familiarizadas con las reglas de seguridad de manejo.
- Mantenga a los visitantes alejados y NUNCA permita la presencia de niños en el área de trabajo.
- Siempre use anteojos de seguridad y protéjase los oídos para operar el cabezal o el compresor.
- No se encarama sobre el cabezal, ni lo use para sostenerse.
- Antes de cada uso, inspeccione el sistema de aire comprimido y los componentes eléctricos para ver si están dañados, deteriorados, desgastados o tienen fugas. Repare o reemplace las piezas dañadas antes de usar el equipo.
- Chequee todas las conexiones frecuentemente para cerciorarse de que estén bien apretadas.



⚠ ADVERTENCIA *Los motores, equipos eléctricos y controles, pueden ocasionar arcos eléctricos que se encenderían con gases o vapores inflamables. Nunca utilice o repare el compresor cerca de gases o vapores inflamables. Nunca almacene líquidos o gases inflamables cerca del compresor.*



⚠ ADVERTENCIA *Nunca utilice el compresor sin la tapa de las bandas. Los compresores se pueden encender automáticamente sin previo aviso. Las piezas en movimiento podrían ocasionarle heridas o daños a su propiedad.*

- No se ponga ropa muy holgada o joyas, ya que éstas se le podrían enredar en las piezas en movimiento.



⚠ PRECAUCION *Las piezas del compresor podrían estar calientes, inclusive cuando la unidad esté apagada.*

- Mantenga los dedos alejados del compresor cuando éste esté funcionando; las piezas en movimiento o calientes, le ocasionarían heridas y/o quemaduras.
- Si el equipo comienza a vibrar excesivamente, APAGUE el motor y chequéelo inmediatamente para determinar la razón. Generalmente, la vibración excesiva se debe a una falla.
- Para reducir el peligro de incendio, mantenga el exterior del motor libre de aceite, solventes o exceso de grasa.

Información Importante de Seguridad (Continuación)

⚠ ADVERTENCIA *Es obligación instalar en la tubería de aire o en el tanque de este compresor una válvula de desfogue según las normas de seguridad ASME con ajuste no superior a la Presión Máxima Admisible de Trabajo (MAWP) del tanque. Esta válvula debe estar diseñada para los valores máximos de flujo y presión para proteger los componentes contra el peligro de explosión. Los límites máximos del flujo se indican en el manual de repuestos. La válvula de seguridad del sistema de enfriamiento interno no protege el sistema.*

⚠ ADVERTENCIA *La presión máxima es 12,07 bar en los compresores de dos etapas. No lo utilice con el presostato o las válvulas del piloto fijadas a presiones mayores de 12,07 bar (dos etapas).*

- Nunca trate de ajustar la válvula de seguridad ASME. Evite que se le acumule pintura u otro residuos.

⚠ ADVERTENCIA *¡Nunca trate de reparar o modificar el tanque! Si lo suelda, taladra o modifica de cualquier otra manera, el tanque se debilitará y podría romperse o explotar. Siempre reemplace los tanques desgastados, rotos o dañados.*

AVISO

Drene el líquido del tanque diariamente.

- Los tanques se oxidan debido a la acumulación de humedad y ésto debilita el tanque. Cerciórese de drenar el tanque con regularidad e inspeccionarlo periódicamente, para ver si está en malas condiciones, por ejemplo, si está oxidado.
- La circulación rápida de aire podría levantar polvo y desperdicios dañinos. Siempre libere el aire lentamente para drenar el tanque o liberar la presión del sistema.

Precauciones Para Rociar

⚠ ADVERTENCIA *Nunca rocíe materiales inflamables cerca de llamas al descubierto o fuentes de ignición, incluyendo el compresor.*

- No fume mientras esté rociando pintura, insecticidas u otras sustancias inflamables.
- Use una máscara/respirador cuando vaya a rociar y siempre rocíe en un área bien ventilada, para evitar peligros de salud e incendios.
- Nunca rocíe pintura ni otros materiales, directamente hacia el compresor. Coloque el compresor lo más lejos posible del área de trabajo, para minimizar la acumulación de residuos en el compresor.
- Al rociar o limpiar con solventes o químicos tóxicos, siga las instrucciones del fabricante de dichos químicos.

GUARDE ESTAS INSTRUCCIONES –
NO LAS DESECHE

Los símbolos de PELIGRO, ADVERTENCIA, PRECAUCIÓN, y AVISO y las instrucciones en este manual no pueden posiblemente cubrir todas las condiciones y situaciones posibles que puedan presentarse. El operador debe entender que la precaución es un factor que no puede ser incluido en el producto, sino que debe ser proporcionada por el operador.



ESPECIFICACIONES

	35WC74	35WC75	35WC76	35WC77	35WC78	35WC79	35WC80	35WC81
HP del motor	5	5	7.5	7.5	5	5	7.5	7.5
Potencia	230V	230V	230V	230V	230V	230V	230V	230V
Fases	1	3	1	3	1	3	1	3
Desplazamiento CFM	597,5 L/min	597,5 L/min	889,2 L/min	889,2 L/min	597,5 L/min	597,5 L/min	889,2 L/min	889,2 L/min
Entrega de aire CFM	470,1 L/min	470,1 L/min	688,1 L/min	688,1 L/min	470,1 L/min	470,1 L/min	688,1 L/min	688,1 L/min
Presión máxima en bar	12,1 bar	12,1 bar	12,1 bar	12,1 bar	12,1 bar	12,1 bar	12,1 bar	12,1 bar
RPM de la bomba	700	700	1020	1020	700	700	1020	1020
Capacidad del tanque	--	--	--	--	302.80 L	302.80 L	302.80 L	302.80 L
Peso de la unidad	285.77 kg	285.77 kg	285.77 kg	285.77 kg	376.49 kg	376.49 kg	376.49 kg	376.49 kg
Carga en amperes	22	12.8	31	17.9	22	12.8	31	17.9
Ciclo máximo de uso	80/20	80/20	80/20	80/20	80/20	80/20	80/20	80/20
Salida del tanque	19,1 mm (3/4 pulg) (F) NPT	19,1 mm (3/4 pulg) (F) NPT	19,1 mm (3/4 pulg) (F) NPT	19,1 mm (3/4 pulg) (F) NPT	19,1 mm (3/4 pulg) (F) NPT	19,1 mm (3/4 pulg) (F) NPT	19,1 mm (3/4 pulg) (F) NPT	19,1 mm (3/4 pulg) (F) NPT
Nivel de decibeles (tan bajo como)	68	68	68	68	68	68	68	68

DIMENSIONES

	35WC74	35WC75	35WC76	35WC77	35WC78	35WC79	35WC80	35WC81
Orientación del tanque	--	--	--	--	horizontal	horizontal	horizontal	horizontal
Long.	121,92 cm (48 pulg.)	121,92 cm (48 pulg.)	121,92 cm (48 pulg.)	121,92 cm (48 pulg.)	162,56 cm (64 pulg.)	162,56 cm (64 pulg.)	162,56 cm (64 pulg.)	162,56 cm (64 pulg.)
Anch.	86,36 cm (34 pulg.)	86,36 cm (34 pulg.)	86,36 cm (34 pulg.)	86,36 cm (34 pulg.)	86,36 cm (34 pulg.)	86,36 cm (34 pulg.)	86,36 cm (34 pulg.)	86,36 cm (34 pulg.)
Alt.	81,28 cm (32 pulg.)	81,28 cm (32 pulg.)	81,28 cm (32 pulg.)	81,28 cm (32 pulg.)	149,86 cm (59 pulg.)	149,86 cm (59 pulg.)	149,86 cm (59 pulg.)	149,86 cm (59 pulg.)

INSTALACIÓN



⚠ ADVERTENCIA *Desconecte el cordón eléctrico, amárrelo y aléjelo del tomacorrientes, después libere toda la presión del tanque antes de tratar de instalar el compresor, darle servicio, moverlo de sitio o darle cualquier tipo de mantenimiento.*

⚠ PRECAUCION *Nunca alce o mueva la unidad sin usar un equipo adecuado. Cerciórese de que la unidad esté bien segura. No la tome por los tubos o piezas del sistema de enfriamiento para levantarla. No use la unidad para alzar otros equipos.*

⚠ PRECAUCION *Nunca instale el compresor sobre la base de madera en la que se envió de la fábrica.*

Elección Del Lugar

Siempre debe instalar y utilizar el compresor en un área limpia y bien ventilada y a una distancia de por lo menos 46 cm (18 pulg.) de cualquier obstrucción. La temperatura del medio ambiente no debe exceder los 37,8° C. Ésto le garantizará el flujo normal de aire para enfriar el compresor y suficiente espacio para darle mantenimiento.

⚠ PRECAUCION *Nunca coloque la entrada de aire del compresor cerca de un área donde haya vapor, donde se rocíe pintura o arena, o haya otras fuentes de contaminación.*

NOTA: Cuando utilice el compresor en un ambiente cálido y húmedo le debe suministrar aire limpio y seco del exterior al cabezal. Utilice una tubería para suministrarle el aire del exterior.

* El modelo mostrado puede no ser el modelo exacto y es utilizado para demostrar la necesidad de por lo menos 18 pulgadas de espacio alrededor del compresor.

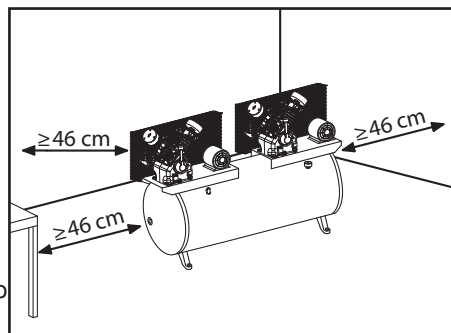


Figura 3 - Ubicación *

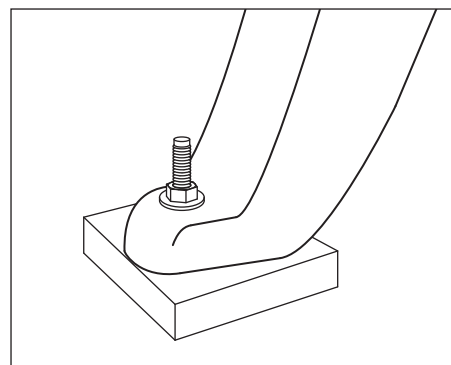


Figura 4 - Almohadillas aisladoras

Para Instalar El Tanque

El tanque se debe instalar sobre un piso plano y nivelado de concreto, o sobre una base de concreto separada. Debe colocarle aislantes entre las patas del tanque y el piso. Le recomendamos el uso de las almohadillas aislantes Modelo MP367700AJ para las unidades horizontales. Las almohadillas Modelo MP345700AJ son recomendables para las unidades verticales. Las almohadillas aisladoras se incluyen con los modelos completos.

Cuando use las almohadillas aislantes, no apriete los pernos excesivamente. Debe permitir que las almohadillas absorban la vibración. Cuando use las almohadillas aislantes, debe instalar una manguera flexible o acoplador, entre el tanque y las tuberías de servicio.



⚠ ADVERTENCIA *Si no instala el tanque adecuadamente, las soldaduras se podrían romper y el tanque podría explotar.*

Tuberías

⚠ ADVERTENCIA *Nunca use tuberías de plástico (PVC) con aire comprimido. Ésto podría ocasionarle heridas graves.*

Cualquier tipo de tuberías o manguera que conecte al compresor deben estar diseñados para el tipo de temperaturas y presiones generadas. Todos los componentes presurizados del sistema de aire deben tener una clasificación de presión de 200 psi (13,79 bar) o superior. Si selecciona e instala una tubería o manguera incorrecta, éstas podrían explotar y ocasionarle heridas. Para conectar las tuberías al tanque, utilice conexiones del mismo tamaño que el orificio de salida.

INSTALACIÓN (CONTINUACIÓN)

TAMAÑO MÍNIMO DE LAS TUBERÍAS DE LAS LÍNEAS DE AIRE COMPRIMIDO

m ³ /min	Longitud de las Tuberías			
	7,62 m	15,24 m	30,48 m	76,2 m
10	12,7 mm	12,7 mm	19,1 mm	19,1 mm
20	19,1 mm	19,1 mm	19,1 mm	2,54 cm
40	19,1 mm	2,54 cm	2,54 cm	2,54 cm
60	19,1 mm	2,54 cm	2,54 cm	2,54 cm
100	2,54 cm	2,54 cm	2,54 cm	3,18 cm

Para Instalarle Una Valvula de Cierre

Debe instalarle una válvula de cierre en la salida del tanque para controlar el flujo de aire que sale del tanque. La válvula se debe colocar entre el tanque y las tuberías.

⚠ ADVERTENCIA *Nunca instale una válvula de cierre entre el cabezal y el tanque. Ésto le podría ocasionar heridas y/o daños a su propiedad. Nunca use reductores en las tuberías de salida.*

Cuando vaya a instalar un sistema permanente de distribución de aire comprimido, debe calcular la longitud total del sistema y seleccionar las tuberías adecuadas según la tabla que le ofrecemos en este manual. Las tuberías se deben instalar bajo el nivel de congelamiento, para evitar que creen vacío donde se pueda concentrar la condensación y se congelen.

Aplique presión de aire a las tuberías y cerciórese de que ninguna conexión tenga fugas ANTES de cubrirlas. Antes de utilizar el compresor, cerciórese de que no haya fugas en las tuberías y conexiones y repárelas de haberlas.

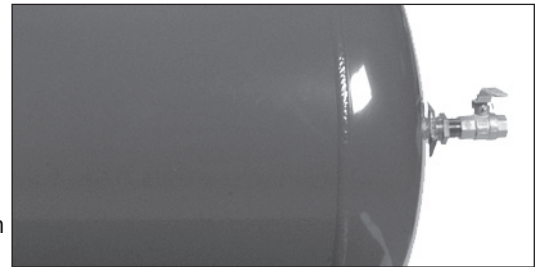


Figura 5 - Valvula de cierre

Alambrado

⚠ ADVERTENCIA *Todo el cableado e instalaciones eléctricas deberán ser realizados por un electricista calificado familiarizado con los controles de motores de inducción. Las instalaciones se deben hacer según los códigos locales y nacionales.*

⚠ ADVERTENCIA *Si el sistema de alambrado no se instala adecuadamente podría ocasionar sobrecalentamiento, cortocircuitos e incendios.*

El alambrado se debe hacer según todos los códigos nacionales de electricidad y los reglamentos sobre artefactos eléctricos y de alambrado. Consúltele a un técnico especializado en la materia y cumpla con todas las ordenanzas. Cerciórese de usar los cables adecuados y de que:

1. El amperaje sea adecuado.
2. La línea de suministro eléctrico sea similar a la del motor (voltaje, ciclaje y fases).
3. Los alambres sean del calibre adecuado y de que no hayan otros artefactos eléctricos conectados a la misma línea. Aquí le ofrecemos una tabla con los tamaños adecuados para instalar el compresor.

INSTALACIÓN (CONTINUACIÓN)

Taille De Fil Minimum Utiliser Le Fil En Cuivre 75°C

Asegúrese de que el voltaje concuerde con el cableado del motor.

NOTA: Si usa corriente monofásica de 208 voltios, asegúrese de que la placa de nombre del motor diga que está clasificado para corriente monofásica de 208 voltios. Los motores para corriente monofásica de 230 voltios no funcionan con 208 voltios a menos que tengan la clasificación de 208 voltios.

CP	Amps	Monofasé		Triphasé	
		230V	208/230V	460/575V	
SPL	asta 22.0	10 AWG			
5.0		8 AWG	12 AWG	14 AWG	
7.5		8 AWG	10 AWG	12 AWG	
10.0		--	8 AWG	12 AWG	
15.0		--	6 AWG	10 AWG	
25.0		--	3 AWG	8 AWG	

Los tamaños de cable recomendados pueden ser más grandes que el mínimo establecido por ordenanzas locales. Si fuera así, debe usarse el cable de mayor tamaño para evitar un descenso excesivo de voltaje en la línea. El costo adicional de los cables es muy bajo comparado con el costo de la reparación o cambio de un motor subalimentado por el uso de cables de suministro demasiado pequeños.

Conexion a Tierra



⚠ ADVERTENCIA

Los artefactos eléctricos conectados a tierra incorrectamente constituyen un riesgo de electrocutamiento. Cerciñese de que todas las conexiones a tierra estén hechas adecuadamente para evitar la muerte o heridas de gravedad.

Este producto se **debe** conectar a tierra. Al conectarlo a tierra reduce el riesgo de choque eléctrico ya que, si ocurre un cortocircuito, la conexión a tierra le ofrece un desvío a la corriente eléctrica. Este producto se debe utilizar con un cordón eléctrico o cable que tenga conexión a tierra.

Disyuntores y Fusibles

El sistema eléctrico completo debe ser verificado por un electricista certificado. Los disyuntores con retraso y fusibles son necesarios para este compresor. Un disyuntor disparado o fusible quemado puede indicar que falta una conexión directa a tierra, un alto consumo de corriente, cableado inadecuado o tamaño y/o tipo incorrecto de fusible o disyuntor. Esto debe ser evaluado por un electricista certificado.

Para Conectar El Motor E Instalar El Motor De Arranque

El circuito se debe proteger según las ordenanzas nacionales para la instalación de motores eléctricos y el diseño de los sistemas de alambrado, por ejemplo, en los Estados Unidos siga las ordenanzas de la organización NEC (artículo 210 del capítulo 2 y artículo 430, Tabla 430-1-52).

IMPORTANTE: Se requiere protección contra sobrecargas para todos los motores.

Los motores utilizados no cuentan con protección integrada contra sobrecarga. Se requiere un arrancador magnético. Consulte los siguientes diagramas de cableado para la instalación eléctrica (figuras 8 y 9).

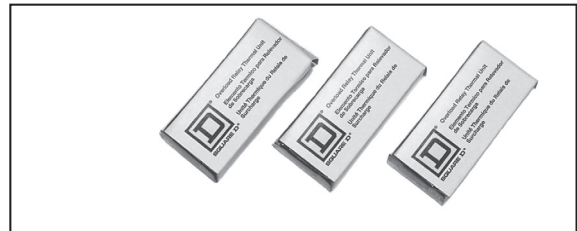


Figura 6 - Kit de conversión para 460 voltios - Serie de neumáticos y lubricantes

INSTALACIÓN (CONTINUACIÓN)

Dirección De Rotación

NOTA: La rotación incorrecta reduciría la duración de la unidad.

La dirección de la rotación debe ser en sentido contrario al de las agujas del reloj (tal como lo indica la flecha en el volante en la Figura 7) al estar parado al frente del cabezal en el mismo lado del volante. Las instrucciones para el alambrado para la rotación en sentido contrario al de las agujas del reloj aparecen en la placa del motor.

La dirección adecuada de rotación es sumamente importante. La dirección de rotación de los motores trifásicos se puede cambiar con solo intercambiar dos de los cables del motor. Para los motores monofásicos, vea las instrucciones en la placa del motor.

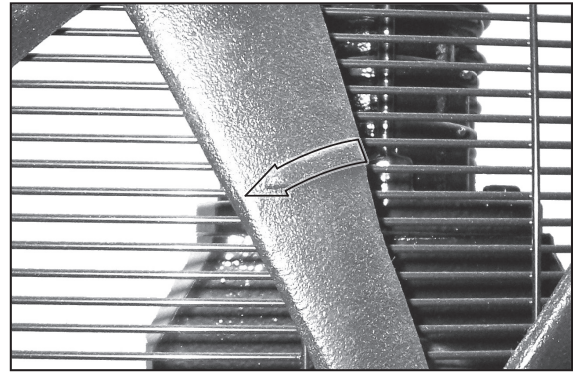


Figura 7 - Dirección de la rotación

INSTALACIÓN (CONTINUACIÓN)

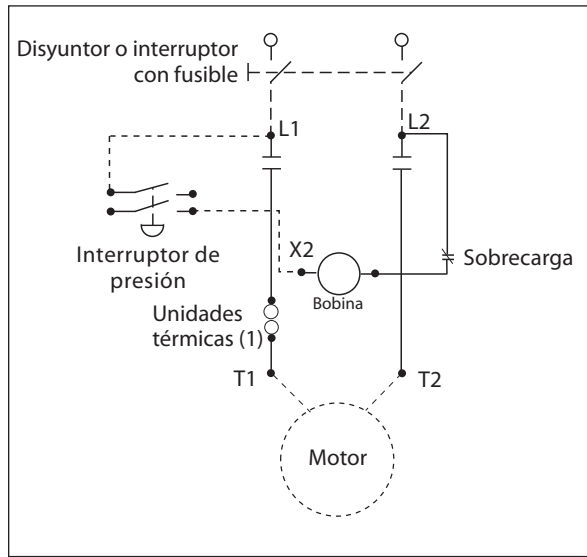


Figura 8 - Diagrama de cableado monofásico

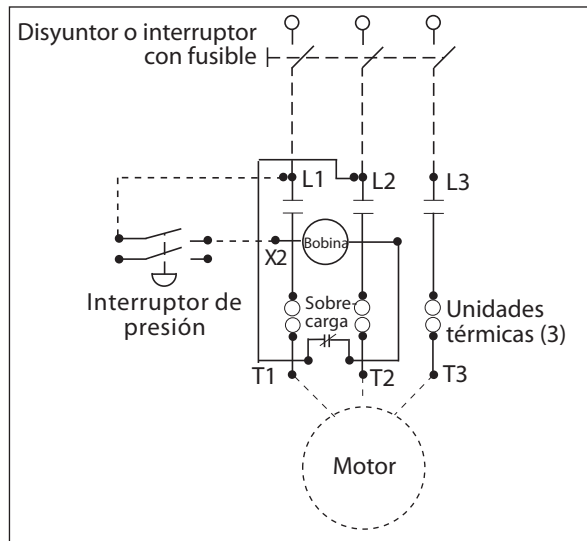


Figura 9 - Diagrama de cableado trifásico

INSTALACIÓN (CONTINUACIÓN)

Lubricación

⚠ PRECAUCION **ESTA UNIDAD NO TIENE ACEITE.**
Antes de utilizar el compresor.
Llene hasta el centro del calibrador visual (ver Figura 10).

⚠ PRECAUCION *Si utiliza cualquier otro tipo de aceite podría disminuir la duración del cabezal y dañar las válvulas.*

Referencia Rápida
Aceite recomendado (2 opciones)
Aceite no detergente de viscosidad única SAE 30 ISO100 para compresores. Pieza número 4ZF21 o 1WG50.
Aceite sintético 10W30 como Mobil 1® o 1WG49.
Capacidad de aceite
Aproximadamente 2 cuartos de galón (1,8 L)

Llene la bomba con aceite hasta el centro del calibrador visual usando la abertura de llenado de aceite (ver Figura 10). **NO llene la bomba a través de la abertura de la tapa de la válvula de aire ya que esto podría causar una pérdida de aceite y que la misma rociara durante el funcionamiento.**

NOTA: puede haber algo de aceite residual aún en la bomba por las pruebas realizadas en la fábrica que dejan una capa fina en el calibrador visual, sin embargo, no hay aceite suficiente para hacer funcionar la unidad.

FUNCIONAMIENTO

IMPORTANTE: Chequee la rotacion del motor antes de utilizar el compresor.

Todos los cabezales que requieren lubricación expulsan agua condensada y aceite con el aire comprimido. Por lo tanto, en ciertos casos, deberá instalar le filtros adecuados para eliminar agua/aceite.

AVISO *Si no le instala los filtros adecuados para eliminar el agua/ aceite podría ocasionarle daños a al aire operado equipos*

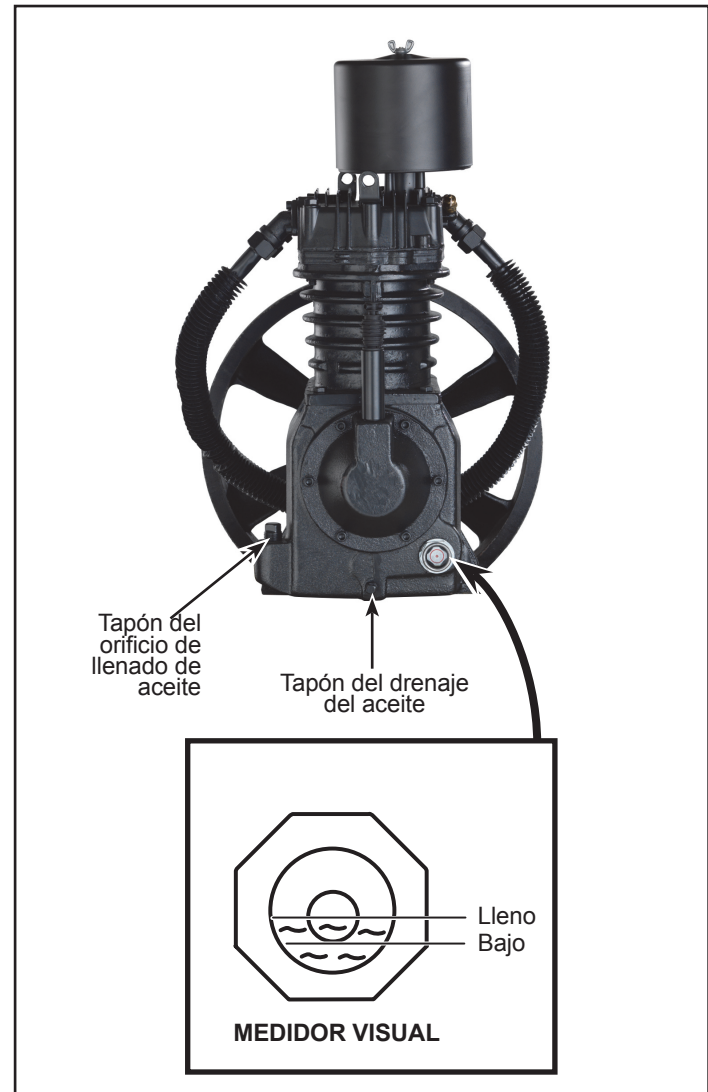


Figura 10 - Lubricacion

FUNCIONAMIENTO (CONTINUACIÓN)**Proteccion**

⚠ ADVERTENCIA *Antes de utilizar el compresor le debe instalar la tapa de las bandas.*

Todas las piezas que se mueven deben estar protegidas con una tapa. Debe colocarle todas las tapas al sistema eléctrico antes de encender el compresor.

Periodo De Uso Inicial Recomendado

La primera vez que vaya a utilizar el compresor, debe dejarlo funcionar continuamente durante una hora, para permitir que los anillos de los pistones se fijen adecuadamente.

1. Abra la llave de drenaje del tanque y deje que el compresor funcione durante 60 minutos.
2. Apague el compresor y cierre la llave de drenaje. El compresor está listo para funcionar.

Presostato, Arranque - Paro

NOTA: Este compresor tiene una presión máxima de funcionamiento de 175 psi (12,7 bar) para compresores de dos etapas. Nunca exceda esta presión en ninguno de los controles de los componentes.

La unidad de compresión se inicia y se detiene basándose en la configuración del presostato preestablecida de 145 psi (10,00 bar) de inicio y 175 psi (12,07 bar) de corte. El interruptor de presión contiene una pequeña válvula de descarga que permite la salida del aire para que el motor pueda arrancar fácilmente (ver Figura 11).

La válvula de descarga en el presostato silbará durante un breve período de tiempo cuando el compresor se apague. Esto libera el cabezal y la tubería de salida de toda presión y permite que el compresor se inicie sin carga. Debido a que los compresores tienen una alta torsión de arranque, es necesaria una válvula de descarga para iniciar el compresor correctamente.

La válvula de retención es una válvula de un solo sentido que mantiene el aire en el tanque cuando la unidad se apaga. La forma más fácil de determinar si la válvula de retención no está funcionando correctamente es asegurarse de que la válvula de descarga del presostato deje de silbar luego de que se apaga el compresor. El silbido debe durar por varios segundos y luego dejar de sonar.

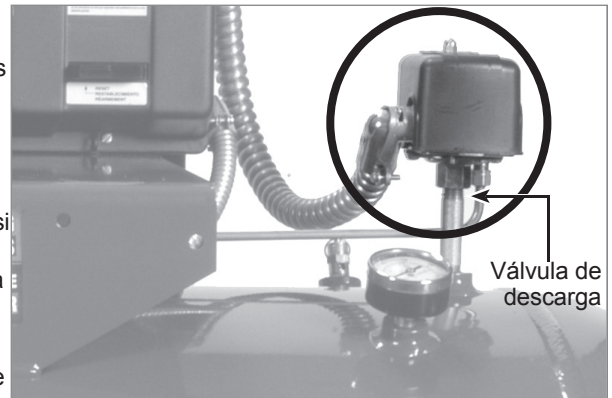


Figure 11 - Presostato

Respirador De La Caja Del Cigüeñal

Durante condiciones severas de funcionamiento o al encenderlo por primera vez, podría crearse una acumulación de aceite en el orificio del respirador de la caja del cigüeñal. Ésto es normal y disminuirá con el uso, ya que los anillos se fijarán.

GUÍA DE DIAGNÓSTICO DE PROBLEMAS PARA INSTALACIONES NUEVAS

Problema	Causa	Solución
La unidad no arranca, el motor no hace ruido	1. Energía insuficiente al compresor	1. La fuente de energía eléctrica al compresor es del voltaje incorrecto, el tamaño del cable no es lo suficientemente grande para transportar la carga, la caja de fusibles o la caja del interruptor no es suficiente para transportar los requisitos de carga hacia el compresor.
	2. La unidad está mal cableada	2. Todo cableado distinto del indicado en el manual puede provocar un funcionamiento defectuoso (vea la Sección de Cableado).
	3. Voltaje incorrecto suministrado a la unidad	3. Asegúrese de que el voltaje concuerde con el cableado del motor (vea la Sección de Cableado).
	4. Conexiones eléctricas sueltas	4. El sistema eléctrico completo debe ser verificado por un electricista certificado. Los cables entrantes y las conexiones eléctricas del compresor deben revisarse. Las conexiones sueltas provocarán funcionamientos defectuosos.
	5. Cableado de tamaño incorrecto	5. Verifique que el tamaño de los cables esté calificado para la corriente del compresor. Los códigos estatales y locales varían ampliamente y deben revisarse antes de la instalación.
	6. Fusible quemado y/o disyuntor disparado	6. El disyuntor y fusibles necesarios para esta unidad deben tener retraso. Un disyuntor disparado o fusible quemado puede ser resultado de una conexión directa a tierra, un alto consumo de corriente, cableado inadecuado, tamaño y/o tipo incorrecto de fusible o disyuntor. Esto debe evaluarlo un centro de servicio o un electricista certificado.
	7. Disparo del encendido por sobrecarga	7. Verifique y reinicie si es necesario. Si la sobrecarga se dispara tras el reinicio inicial, consulte la sección siguiente "disparo del reinicio en el arrancador".
La unidad no arranca	1. La unidad está mal cableada	1. Todo cableado distinto del indicado en el manual puede provocar un funcionamiento defectuoso (vea la Sección de Cableado).
	2. Voltaje incorrecto	2. Asegúrese de que el voltaje corresponda con el cableado del motor (vea la Sección de Cableado).
	3. Conexiones eléctricas sueltas	3. El sistema eléctrico completo debe ser verificado por un electricista certificado. Los cables entrantes y las conexiones eléctricas del compresor deben revisarse. Las conexiones sueltas provocarán funcionamientos defectuosos.
El botón de reinicio del motor se dispara o el reinicio se dispara y enciende el encendido	1. La unidad está mal cableada	1. Controle el voltaje, el tamaño de los cables, etc. Este problema debe evaluarse y corregirse (vea la Sección de Cableado).
	2. Voltaje incorrecto	2. Asegúrese de que el voltaje corresponda con el cableado del motor (vea la Sección de Cableado).
	3. Cableado de tamaño incorrecto	3. Verifique y asegúrese de que el tamaño de los cables esté calificado para la corriente del compresor. Verifique que el tamaño de los cables esté calificado para la corriente del compresor. Los códigos estatales y locales varían ampliamente y deben revisarse antes de la instalación.
La unidad arranca pero no alcanza su velocidad máxima	1. Energía insuficiente al compresor	1. La fuente de energía eléctrica al compresor es del voltaje incorrecto, el tamaño del cable no es lo suficientemente grande para transportar la carga, la caja de fusibles o la caja del interruptor no es suficiente para transportar los requisitos de carga hacia el compresor.
	2. Conexiones eléctricas sueltas	2. El sistema eléctrico completo debe ser verificado por un electricista certificado. Los cables entrantes y las conexiones eléctricas del compresor deben revisarse. Las conexiones sueltas provocarán funcionamientos defectuosos.
La unidad no expulsa o expulsa muy poco aire	1. Válvula de drenaje abierta	1. Asegúrese de que la válvula de drenaje en la parte inferior del tanque esté cerrada.
	2. Pérdida de aire	2. Revise el sistema completo en busca de pérdidas, incluyendo la unidad del compresor y cualquier tubería conectada al compresor.
	3. Entrada limitada o bloqueada	3. Asegúrese de que la entrada de aire del compresor no esté bloqueada de modo alguno.

Continúa en la página siguiente

GUÍA DE DIAGNÓSTICO DE PROBLEMAS PARA INSTALACIONES NUEVAS (CONTINUACIÓN)

Problema	Causa	Solución
La unidad funciona pero con mucho ruido	1. Compresor dañado	1. Revise el compresor para asegurarse de que no se ha dañado durante el envío o la instalación. Asegúrese de que el protector de la correa no se haya dañado. El protector de la correa no debe estar en contacto con el volante ni con la polea.
	2. Sujetadores flojos	2. Revise todos los pernos y tuercas para asegurarse de que no se aflojaron durante el envío.
	3. Volante o polea flojos	3. Revise para asegurarse que la polea y el volante estén correctamente ajustados.
	4. Instalación incorrecta	4. Si la unidad se deja sobre el calzo puede provocar vibraciones excesivas. Quite la unidad del calzo y móntela floja al piso con almohadillas para vibración y pernos de anclaje. No ajuste los pernos en exceso. Deje la tuerca floja a aproximadamente 3,2 mm del pie del compresor.
Aceite en el aire de descarga o en el respirador exterior de la caja del cigüeñal	1. Período de ablandamiento	1. Algo de aceite en el escape es normal durante el período de ablandamiento y durante el uso intensivo luego del período de ablandamiento. La descarga de aceite debe disminuir a medida que la unidad acumule horas de uso.
	2. Tipo de aceite incorrecto	2. No utilice aceite de tipo automotriz SAE-30. Usar el aceite incorrecto puede causar problemas con la bomba y anular la garantía. Use solamente los aceites recomendados en el manual de funcionamiento (vea la sección Lubricación).
	3. Entorno inadecuado	3. La unidad no debe ser instalada en un área con poco ventilada ni debe ser expuesta a condiciones extremas de frío o calor. El rango normal de funcionamiento debe ser de entre 32 °F y 100 °F (0 °C a 37,7 °C).
El compresor parece calentarse	Rotación incorrecta	Verifique para asegurarse de que el compresor esté funcionando en la dirección de la flecha del volante. El flujo de aire debe ser tal que el volante dirija el aire a través del cabezal de la bomba. Si se pone de pie en frente del compresor (el lado que no tiene el protector de la correa) el aire debe fluir de atrás hacia adelante.

GUÍA DE DIAGNÓSTICO DE PROBLEMAS PARA UNIDADES EN SERVICIO POR UN PERÍODO DE TIEMPO

Problema	Causa	Solución
El motor no funciona	<ol style="list-style-type: none"> 1. Conexiones eléctricas sueltas 2. Fusible quemado y/o disyuntor disparado 3. Disparo del encendido por sobrecarga 4. Condensador de arranque defectuoso 5. Arranque magnético defectuoso 	<ol style="list-style-type: none"> 1. El sistema eléctrico completo debe ser verificado por un electricista certificado. Los cables entrantes y las conexiones eléctricas del compresor deben revisarse. Las conexiones sueltas provocarán funcionamientos defectuosos. 2. El disyuntor y fusibles necesarios para esta unidad deben ser con retraso. Un disyuntor disparado o fusible quemado puede ser resultado de una conexión directa a tierra, un alto consumo de corriente, cableado inadecuado, tamaño y/o tipo incorrecto de fusible o disyuntor. Esto debe evaluarlo un centro de servicio o un electricista certificado. 3. Verifique y reinicie si es necesario. Si la sobrecarga se dispara tras el reinicio inicial, consulte la sección "Guía de solución de problemas para instalaciones nuevas". 4. Verifique y cambie (si fuera necesario) el condensador de arranque defectuoso. 5. Primero verifique si existe algún cable suelto y ajústelo si así fuera. Verifique y cambie (si fuera necesario) el arranque magnético defectuoso.
El motor zumba; el motor presenta un gran consumo de amperaje, se dispara una sobrecarga, se dispara el disyuntor o si salta un fusible al iniciarlo	<ol style="list-style-type: none"> 1. Válvula de descarga del presostato defectuosa 2. Válvula de retención defectuosa – pérdida constante de presión en el tanque 3. Conexiones eléctricas sueltas 4. Condensador de arranque defectuoso 5. Problema de la válvula o junta rota 	<ol style="list-style-type: none"> 1. Drene toda la presión del tanque. Vuelva a encender el compresor sin carga. Si el compresor puede iniciarse, entonces debe verificar la válvula de descarga. Si no se corrige el problema hará fallar al motor y/o a otros componentes eléctricos. 2. Determine si la válvula de retención está funcionando correctamente, la válvula de descarga del presostato debería dejar de silbar luego de apagado el compresor. Si el silbido continúa y existe una pérdida constante de presión en el tanque entonces la válvula de retención no está funcionando correctamente. Cambie la válvula de retención 3. El sistema eléctrico completo debe ser verificado por un electricista certificado. Los cables entrantes y las conexiones eléctricas del compresor deben revisarse. Las conexiones sueltas provocarán funcionamientos defectuosos. 4. Verifique y cambie (si fuera necesario) el condensador de arranque defectuoso. 5. Verifique la junta y cámbiela si fuera necesario. Otros síntomas tienen lugar cuando una válvula no está sellando o cuando se rompió una junta como por ejemplo un mayor consumo de amperaje lo cual puede disparar el disyuntor.
El compresor funciona pero acumula presión lentamente	<ol style="list-style-type: none"> 1. Pérdida de aire 2. Filtro de aire sucio 3. Problema de la válvula o junta rota 4. Tanque rajado 	<ol style="list-style-type: none"> 1. Revise el sistema completo en busca de pérdidas, incluyendo la unidad del compresor y cualquier tubería conectada al compresor. 2. Se deben cambiar los filtros de aire regularmente basándose en el uso y en el entorno. Un filtro sucio puede parecer limpio. Cambie los filtros a menudo. 3. Verifique la junta y cámbiela si fuera necesario. Otros síntomas tienen lugar cuando una válvula no está sellando o cuando se rompió una junta como por ejemplo un mayor consumo de amperaje lo cual puede disparar el disyuntor. 4. Cambie el tanque. La unidad no debe ponerse en funcionamiento bajo ninguna condición. Los tanques no pueden soldarse ni emparcharse.
La válvula de seguridad intermedia salta cuando la unidad está en funcionamiento	<ol style="list-style-type: none"> 1. Válvula o junta desgastado 2. Baja torsión de los pernos de cabezal 3. Válvula de seguridad intermedia defectuosa 	<ol style="list-style-type: none"> 1. Compruebe y sustituya la válvula o las juntas según sea necesario. 2. Verifique y vuelva a ajustar los pernos de cabezal hasta la torsión especificada. 3. Cambie la válvula de seguridad intermedia. Bajo ninguna circunstancia enchufe el puerto de la válvula de seguridad
Respirador de salida del aceite	<ol style="list-style-type: none"> 1. Anillos gastados o cilindro rayado 2. El compresor se calienta 	<ol style="list-style-type: none"> 1. Cambie los anillos y/o cambie el cilindro. 2. Asegúrese de que el compresor esté funcionando con la rotación correcta. El compresor debe estar limpio y en un área con buena ventilación. El aceite debe cambiarse en intervalos regulares según las especificaciones mencionadas en el manual. Se debe cambiar el filtro cuando se ensucie.

Continúa en la página siguiente

GUÍA DE DIAGNÓSTICO DE PROBLEMAS PARA UNIDADES EN SERVICIO POR UN PERÍODO DE TIEMPO (CONTINUACIÓN)

Problema	Causa	Solución
Aceite lechoso en la caja del cigüeñal	1. Poco uso del compresor, el agua se condensa en la caja del cigüeñal	1. Haga funcionar el compresor de continuo durante 1 hora. El calor generado durante este período de funcionamiento evaporará la humedad del aceite.
	2. Tipo de aceite incorrecto	2. No utilice aceite de tipo automotriz SAE-30. Usar el aceite incorrecto puede causar varios problemas con la bomba y anular la garantía. Use solamente los aceites recomendados en el manual de funcionamiento.
	3. Entorno inadecuado	3. La unidad no debe ser instalada en un área con poco ventilada ni debe ser expuesta a condiciones extremas de frío o calor. El rango normal de funcionamiento debe ser de entre 32 °F y 100 °F (0 °C a 37,7 °C).
	4. Rotación incorrecta	4. Verifique para asegurarse de que el compresor esté funcionando en la dirección de la flecha del volante. El flujo de aire debe ser tal que el volante dirija el aire a través del cabezal de la bomba. Si se pone de pie en frente del compresor (el lado que no tiene el protector de la correa) el aire debe fluir de atrás hacia adelante.
	5. Leve pérdida de la válvula de retención del tanque	5. El aire se enfría y se condensa, luego vuelve a gotear en la bomba. Drenar el tanque luego del uso normalmente solucionará esta situación.
El presostato libera aire continuamente del la válvula de descarga.	Válvula de retención defectuosa.	Cambie la válvula de retención.
El presostato no libera aire cuando se apaga el compresor.	La válvula de descarga del presostato no está funcionando correctamente.	Drene toda la presión del tanque. Vuelva a encender el compresor sin carga. Si el compresor puede iniciarse, entonces debe verificar la válvula de descarga. Si no se corrige el problema hará fallar al motor y/o a otros componentes eléctricos.
El compresor no se apaga	1. Presostato defectuoso 2. Válvula de seguridad defectuosa	1. Configuración demasiado alta. Reemplace el presostato. 2. Asegúrese de que el manómetro esté leyendo correctamente y si fuera necesario reemplace la válvula de seguridad del tanque.
La unidad vibra excesivamente	1. Sujetadores flojos	1. Esto incluye los pernos de montaje de la bomba, el motor, el protector de la correa, el arranque magnético, etc. Como parte del calendario de mantenimiento de rutina verifique que no existan sujetadores flojos. Ajuste todos los sujetadores flojos.
	2. Polea floja, correa floja o poleas desalineadas.	2. Es posible que con el tiempo sea necesario ajustar la polea y la correa. Es posible que sea necesario volver a alinear las poleas para asegurar un desgaste adecuado de la correa y una menor vibración. Las mismas deben ser verificadas como parte del mantenimiento habitual.
	3. Bomba defectuosa	3. Una bomba defectuosa implica una bomba que golpetea o hace ruidos que no son normales al diseño de la bomba. Una gran cantidad de aceite saliendo del respirador indica desgaste del anillo o del cilindro. Un bajo rendimiento de la bomba podría indicar problemas de válvula. Existen numerosos síntomas asociados con una bomba defectuosa. Deberá evaluarse la bomba.
Agua en el aire de descarga	1. Clima caluroso y húmedo	1. Durante clima caluroso y húmedo es normal que se acumule agua en el tanque del compresor. Esto es normal y requiere que el tanque se drene frecuentemente. Recomendamos el uso de un drenaje automático junto con filtros y secadoras si esto fuere un problema.
	2. Agua acumulada en el tanque	2. Drenar el agua del tanque evita la corrosión del tanque y el desgaste de la herramienta neumática. Se recomienda el uso de un drenaje automático junto con los filtros y secadoras para evitar que el agua ingrese a la salida del compresor.

Continúa en la página siguiente

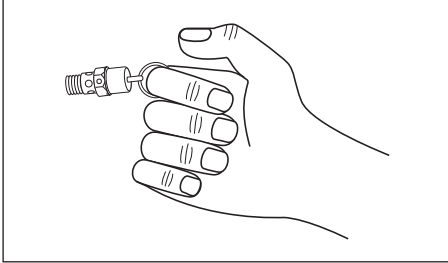
GUÍA DE DIAGNÓSTICO DE PROBLEMAS PARA UNIDADES EN SERVICIO POR UN PERÍODO DE TIEMPO (CONTINUACIÓN)

Problema	Causa	Solución
Aceite en el aire de descarga	1. Filtro de entrada limitado	1. Se debe cambiar el filtro frecuentemente para evitar posibles problemas y para hacer que el funcionamiento del compresor sea eficiente. En la entrada del compresor se crea un vacío, el cual causa un gran consumo de aceite llevando el aceite a través de los anillos. También existe la posibilidad de que el medio de filtro se haya destruido, permitiendo que los contaminantes ingresen por la entrada y causen problemas de desgaste.
	2. Tipo de aceite incorrecto	2. No utilice aceite de tipo automotriz SAE-30. Usar el aceite incorrecto puede causar varios problemas con la bomba y anular la garantía. Use solamente los aceites recomendados en el manual de funcionamiento.
	3. Anillos gastados o cilindro rayado	3. Cambie los anillos y/o cambie el cilindro.
	4. El compresor se calienta	4. Asegúrese de que el compresor esté funcionando con la rotación correcta. El compresor debe estar limpio y en un área con buena ventilación. El aceite debe cambiarse en intervalos regulares según las especificaciones mencionadas en el manual. Se debe cambiar el filtro cuando se ensucie.

INSTRUCCIONES DE MANTENIMIENTO E INSPECCIÓN

⚠ ADVERTENCIA *Desconecte el cordón eléctrico, amárrelo y aléjelo del tomacorrientes, después libere toda la presión del tanque antes de tratar de instalar el compresor, darle servicio, moverlo de sitio o darle cualquier tipo de mantenimiento.*

Para mantener el funcionamiento eficiente del sistema del compresor, chequee el filtro de aire y mida el nivel del aceite antes de cada uso. La válvula de seguridad ASME también se debe chequear a diario (Vea la Figura 12). Hále el anillo de la válvula de seguridad y déjelo que regrese de nuevo en su posición original. Esta válvula automáticamente libera el aire del tanque, si la presión excede el nivel máximo fijado de fábrica. Si hay una fuga de aire después que ha soltado el anillo, o si la válvula está atascada y no la puede activar con el anillo, deberá reemplazar la válvula de seguridad ASME.

**Figura 12 - Válvula de seguridad ASME**

⚠ ADVERTENCIA *No modifique la válvula de retención ASME.*

Tanque

⚠ ADVERTENCIA *¡Nunca trate de reparar o modificar el tanque! Si lo suelda, taladra o modifica de cualquier otra manera, el tanque se debilitará y se podría dañar al romperse o explotar. Siempre reemplace los tanques desgastados, rotos o dañados.*

AVISO *Drene el líquido del tanque diariamente.*

El tanque se debe inspeccionar cuidadosamente por lo menos una vez al año. Cerciérese de que no haya ranuras en las soldaduras. De haberlas, libere la presión del tanque inmediatamente y reemplácelo.

Lubricación del Compresor

Vea la sección de Funcionamiento Añádale aceite al cabezal cuando sea necesario. Debe cambiar el aceite y el filtro cada 3 meses o después de 500 horas de funcionamiento; lo que ocurra primero.

Si el compresor se utiliza bajo condiciones húmedas por períodos cortos, la humedad se condensará en la caja del cigüeñal y ocasionará que el aceite luzca cremoso. El aceite contaminado por el agua no le proveerá la lubricación adecuada y lo debe cambiar inmediatamente. Si usa aceite contaminado, los cojinetes, pistones, cilindros y anillos se dañarán y estos daños no están cubiertos por la garantía. Para evitar la condensación de agua en el aceite, periódicamente utilice el compresor con una presión de más o menos 10,34 bar. Para hacerlo, abra la llave de drenaje, la válvula de aire conectada al tanque, o la manguera. Deje que el cabezal funcione por una hora en estas condiciones por lo menos una vez a la semana, o con más frecuencia, en caso de que el problema ocurra.

IMPORTANTE: Cámbiele el aceite después de 50 horas de operación.

Filtro de aire

Nunca utilice el cabezal del compresor sin instalarle el filtro de la entrada de aire o con un filtro obstruido. El elemento del filtro de aire debe verificarse mensualmente (ver Figura 13). Si utiliza el compresor con el filtro sucio, podría aumentar el consumo de aceite y la contaminación con aceite del aire expulsado. Si el filtro de aire está sucio, debe reemplazarse.

**Figura 13 - Filtro de aire**

INSTRUCCIONES DE MANTENIMIENTO E INSPECCIÓN (CONTINUACIÓN)

Interenfriador

▲ PRECAUCION *Las altas del sistema de enfriamiento interno son afiladas, use siempre guantes y tenga mucho cuidado cuando vaya a limpiar o trabajar cerca de ellas.*

Semanalmente, chequee el sistema de enfriamiento para cerciorarse de que todas las conexiones estén bien apretadas. Limpie toda la suciedad, polvo y otras acumulaciones de las aletas del interrefrigerador.

Componente

Desconecte la corriente y limpie el cabezal del cilindro, el motor, las paletas del ventilador, las líneas de aire, el interrefrigerador y el tanque mensualmente.

Correa

▲ ADVERTENCIA *Apague el compresor, cerciórese de que el interruptor no se pueda activar y después libere la presión del tanque, para evitar que la unidad se mueva sin previo aviso.*

Chequee la tensión de las bandas cada 3 meses. Ajuste la tensión de las bandas para permitir una deflexión de 0,9 a 1,2 cm (3/8 inch - 1/2 inch) al ejercer una presión normal con el dedo. Igualmente, debe alinear las bandas usando como referencia un objeto recto que toque el volante y dos puntos del borde a ambos lados del volante. Las bandas deben estar paralelas a esta línea recta de referencia (vea la Figura 14). Las distancias A, B y C deben ser iguales para asegurar que las bandas estén alineadas adecuadamente. Las ranuras en la base le permiten mover el motor, en ambas direcciones, para ajustar la tensión de las bandas.

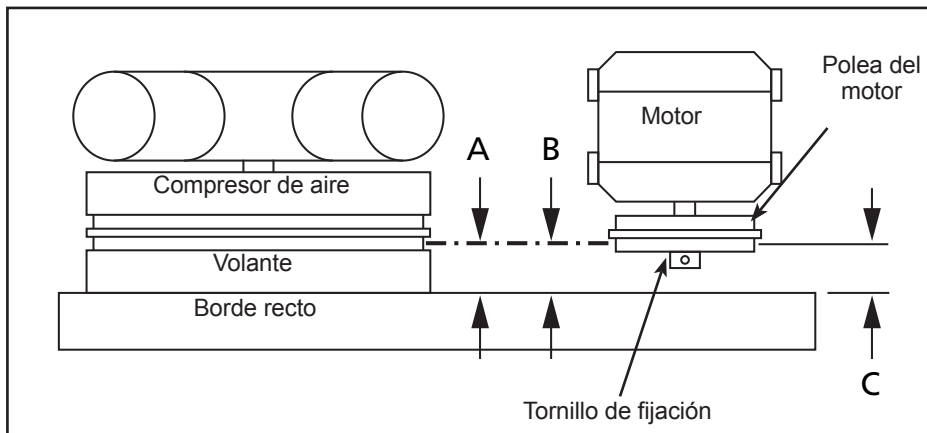
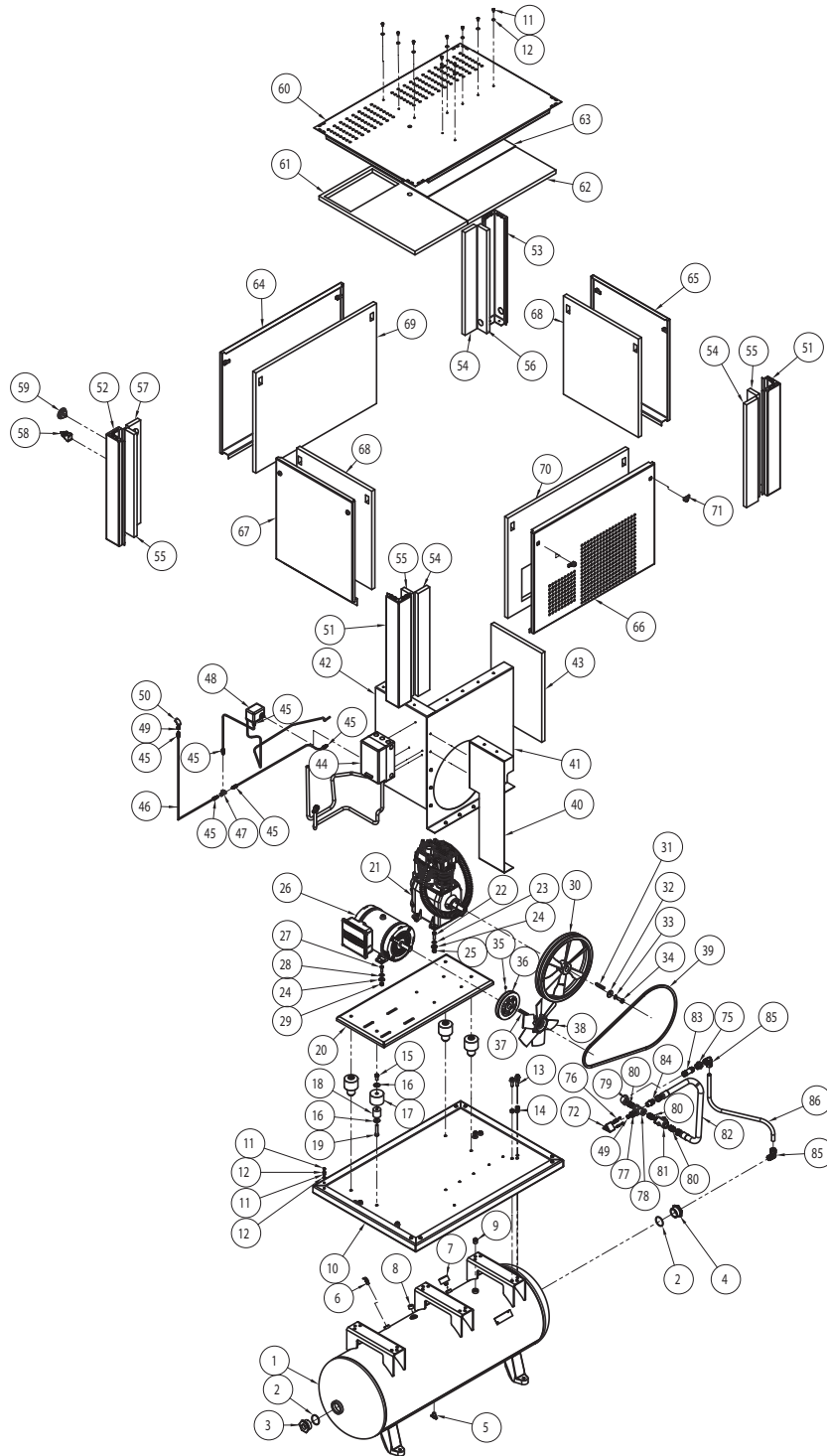


Figura 14 - Vista superior

PROGRAMA DE MANTENIMIENTO

Servicio Necesario	Diariamente	Mensualmente	Trimestralmente
Chequee la válvula de seguridad	●		
Drene el tanque	●		
Mida el nivel de aceite	●		
Limpie o cambie el filtro de aire		●	
Chequee el sistema de enfriamiento interno		●	
Limpie los componentes		●	
Chequee la tensión de las bandas			●
Cambie el aceite (Vea la Figura 10)			●

ILUSTRACION DE LAS PARTES DE REPARACION PARA LOS MODELOS 35WC74, 35WC75, 35WC76, 35WC77, 35WC78, 35WC79, 35WC80, 35WC81



**Para Obtener Partes de Reparación
en México llame al 001-800-527-2331
en EE.UU. llame al 1-800-Grainger**

24 horas al día, 365 días al año

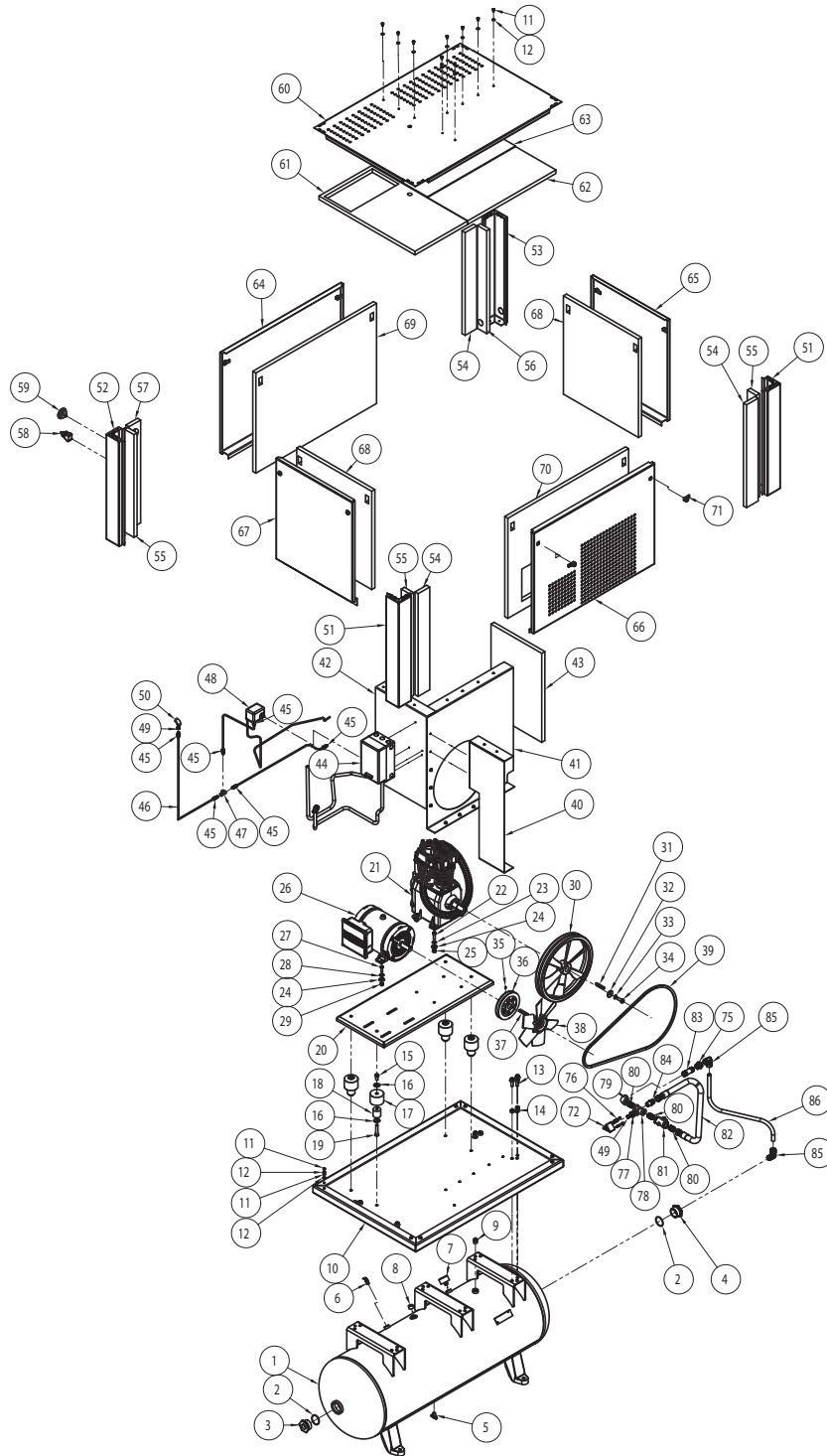
Por favor proporcione la siguiente información:

- Número de modelo
- Número de serie (si lo tiene)
- Descripción de la parte y número que le corresponde en la lista de partes

LISTA DE PARTES DE REPARACION PARA LOS MODELOS 35WC74, 35WC75, 35WC76, 35WC77, 35WC78, 35WC79, 35WC80, 35WC81

No. de Ref.	Descripción	Número de Parte:	Cant.
1 *	TANQUE DE AIRE		
	MODELOS 35WC74, 35WC75, 35WC78, 35WC79	5Z404	1
	MODELOS 35WC76, 35WC77, 35WC80, 35WC81	5F566	1
2 *	ANILLO-2.109 DI-0.139 CS	ST070190AV	2
3 *	REDUCTOR DE 2 PULG. X 1 PULG. SIN ANILLO	PG201003AV	1
4 *	REDUCTOR DE 2 PULG. X 3/4	PG201002AV	1
5 *	VÁLVULA DE PURGA 3/8	45U948	1
6 *	VÁLVULA DE SEGURIDAD ASME 230 PSI	V-215110AV	1
7 *	MEDIDOR DE PRESIÓN NPT DE 300 PSI, 1/4 PULG.	GA031901AV	1
8 *	TAPÓN DE TUBERÍA 0 3/4-14	ST072916AV	1
9 *	TAPÓN DE TUBERÍA 0 1/2-14	ST072921AV	1
10	FONDO DE CHAROLA QA	CE010500AV	1
11	TORNILLOS DE CABEZA HEXAGONAL 1/4-20 0.5 LONG.-ZINC CLARO-ACERO-GR2	ST070612AV	44
12	ARANDELA-1/4-N-DI 0.281 DE 0.625-ZINC CLARO	ST070910AV	44
13	TORNILLO DE CABEZA HEXAGONAL CON COLLAR	ST171303AV	12
14	TUERCA HEXAGONAL 1/2-13 -SIMPLE	ST070732AV	12
15	TORNILLOS DE CABEZA HEXAGONAL 1/2-13 1 LONG. ZINC CLARO-ACERO-GR5	ST070647AV	4
16	ARANDELA-1/2-W-DI 0.562 DE 1.375-ZINC CLARO	ST070918AV	8
17	MONTURA EMPAREDADA DE NEOPRENO PARA AMORTIGUAMIENTO DE VIBRACIÓN	RD000300AV	4
18	PLACA ELEVADORA	CE010400AV	4
19	TORNILLOS DE CABEZA HEXAGONAL DE 1/2--13 2.5 LONG.-ZINC CLARO-ACERO-GR5	ST070648AV	4
20	PLACA BASE QE	BA863000AV	1
21	CONJUNTO DE BOMBA TF	TF061903AV	1
22	TORNILLOS DE CABEZA HEXAGONAL DE 7/16-14 1.5 LONG.-ZINC CLARO-ACERO-GR5	ST070645AV	4
23	ARANDELA-7/16-N-DI 0.469 DE 0.922-ZINC CLARO	ST070915AV	4
24	ARANDELA-7/16-W-DI 0.5 DE 1.25-ZINC CLARO	ST070916AV	7
25	TUERCA HEXAGONAL 1/2-13 -ZINC	ST070733AV	4
26	MOTOR		
	MODELOS 35WC74, 35WC78	45U933	1
	MODELOS 35WC75, 35WC79	MC033500SJ	1
	MODELOS 35WC76, 35WC80	MC025100AV	1
	MODELOS 35WC77, 35WC81	MC033600SJ	1
27	TORNILLOS DE CABEZA HEXAGONAL 3/8-16 1.25 LONG.-ZINC CLARO-ACERO-GR2	ST070638AV	4
28	ARANDELA-3/8-W-DI 0.438 DE 1-ZINC CLARO	ST070914AV	4
29	TUERCA DE BRIDA DE 3/8 PULG.-16	ST033500AV	4
30	VOLANTE DE HIERRO FUNDIDO DE 16 PULG.	PU016701AV	1
31	CHAVETA DE VOLANTE	KE001301AV	1
32	ARANDELA	TX034600AV	1
33	ARANDELA-1/2-DI 0.509 DE 0.873-ZINC MECÁNICO	ST071015AV	1
34	TORNILLOS DE CABEZA HEXAGONAL DE 1/2-13 1.25 LONG.-ZINC CLARO-ACERO-GR5	ST070603AV	1
35	JUEGO DE TORNILLOS	--	1
36	POLEA 6.7 1-3/8		
	MODELOS 35WC74, 35WC75, 35WC78, 35WC79	PU008003AV	1
	MODELOS 35WC76, 35WC77, 35WC80, 35WC81	PU204100AV	1
37	LLAVE DE POLEA	--	1
38	VENTILADOR DE MOTOR	RD001700AV	1
39	BANDA B-70 SENCILLA		
	MODELOS 35WC74, 35WC78	BT022001AV	1
	MODELOS 35WC75, 35WC79	BT004322AV	1
	MODELOS 35WC76, 35WC77, 35WC80, 35WC81	BT008501AV	1
40	MEDIA PARTICIÓN QE	CE009900AV	1

* SÓLO UNIDADES MONTADAS EN TANQUE

ILUSTRACION DE LAS PARTES DE REPARACION PARA LOS MODELOS 35WC74, 35WC75, 35WC76, 35WC77, 35WC78, 35WC79, 35WC80, 35WC81

**Para Obtener Partes de Reparación
en México llame al 001-800-527-2331
en EE.UU. llame al 1-800-Grainger**

24 horas al día, 365 días al año

Por favor proporcione la siguiente información:

- Número de modelo
- Número de serie (si lo tiene)
- Descripción de la parte y número que le corresponde en la lista de partes

LISTA DE PARTES DE REPARACION PARA LOS MODELOS 35WC74, 35WC75, 35WC76, 35WC77, 35WC78, 35WC79, 35WC80, 35WC81

No. de Ref.	Descripción	Número de Parte:	Cant.
41	PARTICIÓN DE VOLANTE	CE009600AV	1
42	PARTICIÓN ENTERA QE	CE009800AV	1
43	PARTICIÓN COMPLETA DE ESPUMA SÓNICA QE	RD000600AV	1
44	ARRANCADORES DE MOTOR		
	MODELOS 35WC74, 35WC78	SA002200AJ	1
	MODELOS 35WC75, 35WC79	SA002300AJ	1
	MODELOS 35WC76, 35WC80	SA002400AJ	1
	MODELOS 35WC77, 35WC81	SA002500AJ	1
45	TUERCA DE COMPRESIÓN DE 1/8	ST072003AV	6
46	TUBO DE DESCARGA	RD002100AV	1
47	T DE TUBERÍA 1/8-27	ST070401AV	1
48	INTERRUPTOR DE PRESIÓN	33MH71	1
49	REDUCTOR 1/4 A 1/8	ST071437AV	2
50	CODO DE TUBERÍA 1/4 NPT 90 GRADOS	ST074228AV	1
51	MARCO DE ESQUINA	CE009300AV	2
52	MARCO DE ESQUINA QE C/MEDIDOR DE HORAS	CE009500AV	1
53	MARCO DE ESQUINA QE C/SALIDA DE ESCAPE	CE009400AV	1
54	FRENTE DE ESQUINA DE ESPUMA SÓNICA QE	RD000400AV	3
55	COSTADO DE ESQUINA DE ESPUMA SÓNICA QE	RD000500AV	3
56	SALIDA DE ESCAPE DE COSTADO DE ESQUINA DE ESPUMA SÓNICA QE	RD001000AV	1
57	INTERRUPTOR DE ARRANQUE Y MEDIDOR DE FRENTE DE ESQUINA DE ESPUMA SÓNICA QE	RD001100AV	1
58	INTERRUPTOR DE 2 POSICIONES CON LUZ	PE000560AV	1
59	MONTURA DE PANEL DE MEDIDOR DE 300 PSI	RD000100AV	1
60	CUBIERTA DE LÁMINA METÁLICA QE	CE008900AV	1
61	CUBIERTA DE COSTADO DE MOTOR DE ESPUMA SÓNICA QE	RD000700AV	1
62	CUBIERTA DE PARTE POSTERIOR DE BOMBA DE ESPUMA SÓNICA QE	RD000800AV	1
63	CUBIERTA DE COSTADO DE BOMBA DE ESPUMA SÓNICA QE	RD000900AV	1
64	PANEL FRONTAL QE	CE009700AV	1
65	PANEL LATERAL DE BOMBA QE	CE009100AV	1
66	PANEL POSTERIOR QE	CE009200AV	1
67	PANEL LATERAL DE MOTOR QE	CE009000AV	1
68	PANEL LATERAL DE ESPUMA SÓNICA QE	RD001900AV	2
69	PANEL FRONTAL DE ESPUMA SÓNICA QE	RD002000AV	1
70	PANEL POSTERIOR DE ESPUMA SÓNICA QE	RD001800AV	1
71	CERROJO DE LEVA CON RANURA CON CABEZA DE 7/8 PULG.	RD001600AV	8
72	CONECTOR TRIANGULAR	RD001200AV	1
73	TUERCA HEXAGONAL 1/4-20 - ZINC CLARO	ST070712AV	16
74	TUERCA DE COMPRESIÓN DE 1/8	ST072311AV	1
75	ADAPTADOR DE MAMPARO	PS006702AV	1
76	TORNILLO DE CABEZA HUECA DE 1/4-20 PULG. 2 PULG. ROSCA PARCIAL	RD001300AV	3
77	REDUCTOR DE LATÓN 3/4 X 1/4	ST071439AV	1
78	T 3/4 NPT	ST070421AV	1
79	CODO 90 GRADOS X 3/4 NPT	ST074205AV	1
80	NIPLE CERRADO DE 3/4-14	ST085314AV	3
81	VÁLVULA DE RETENCIÓN HORIZONTAL EN LÍNEA 3/4 PULG.	RD001500AV	1
82	CONJUNTO DE MANGUERA	RD001400AV	1
83	NIPLE DE LATÓN 3/4P X 3.0	ST179113AV	1
84	CONECTOR DE MANGUERA JIC #12 X 3/4 PULG. MNPT RECTO	ST186405AV	1
85	CODO 3/4 NPT - 3/4 COMPRESIÓN	ST072228AV	2
86	ESCAPE DE TUBERÍA DE COBRE .75	CE002800AP	1

PARA COMENZAR

SEGURIDAD /
ESPECIFICACIONES

MONTAJE /
INSTALACION

OPERACION

IDENTIFICACION
DE PROBLEMAS

MANTENIMIENTO
/ REPARACION

GARANTIA LIMITADA DE SPEEDAIRE POR TRES AÑOS

GARANTIA LIMITADA DE SPEEDAIRE POR TRES AÑOS. W.W. Grainger (“Grainger”) le garantiza al usuario original que todos los modelos de los productos Speedaire® tratados en este manual están libres de defectos en la mano de obra o el material, cuando se les somete a uso normal, por tres años a partir de la fecha de compra. Si el producto Speedaire es parte de un juego, sólo la parte defectuosa está sujeta a esta garantía. Cualquier producto o parte que se halle defectuoso, ya sea en el material o en la mano de obra, y sea devuelto (con los costos de envío pagados por adelantado) a un centro de servicio autorizado designado por Grainger o por una entidad designada por Grainger, será reparado o reemplazado (no existe otra posibilidad) por un producto o parte nuevo o reacondicionado de igual uso o se le reembolsará el costo total, según lo determine Grainger o una entidad designada por Grainger, libre de costo. Para obtener información sobre los procedimientos de reclamo cubiertos en la garantía limitada, vea la sección “Servicio de Garantía” que aparece más adelante. Se anulará esta garantía si se detecta evidencia de mal uso, reparación defectuosa, instalación defectuosa, abuso o modificación. Esta garantía no cubre desgaste y ruptura normal de los productos Speedaire o parte de los mismos, o productos o partes de los mismos que se pueden utilizar durante uso normal. Esta garantía limitada les otorga a los compradores derechos legales específicos y también puede usted tener otros derechos que varíen de jurisdicción a jurisdicción.

EXCLUSIÓN DE RESPONSABILIDAD DE LA GARANTÍA Y LÍMITES DE RESPONSABILIDAD RELACIONADOS A TODOS LOS CLIENTES PARA TODOS LOS PRODUCTOS

LÍMITES DE RESPONSABILIDAD. EN LA MEDIDA EN QUE LAS LEYES APLICABLES LO PERMITAN, LA RESPONSABILIDAD DE GRAINGER POR LOS DAÑOS EMERGENTES O INCIDENTALS ESTA EXPRESAMENTE EXCLUIDA. LA RESPONSABILIDAD DE GRAINGER EXPRESAMENTE ESTA LIMITADA Y NO PUEDE EXCEDER EL PRECIO DE COMPRA PAGADO POR EL ARTICULO.

EXCLUSIÓN DE RESPONSABILIDAD DE LA GARANTÍA. SE HA HECHO UN ESFUERZO DILIGENTE PARA PROPORCIONAR INFORMACION E ILUSTRACIONES APROPIADAS SOBRE LOS PRODUCTOS SPEEDAIRE EN ESTE MANUAL; SIN EMBARGO, ESTA INFORMACION Y LAS ILUSTRACIONES TIENEN COMO UNICO PROPOSITO LA IDENTIFICACION DE LOS PRODUCTOS Y NO EXPRESAN NI IMPLICAN GARANTIA DE QUE LOS PRODUCTOS SPEEDAIRE SEAN VENDIBLES O ADECUADOS PARA UN PROPOSITO EN PARTICULAR NI QUE SE AJUSTAN NECESARIAMENTE A LAS ILUSTRACIONES O DESCRIPCIONES. CON EXCEPCION DE LO QUE SE ESTABLECE A CONTINUACION, GRAINGER NO HACE NI AUTORIZA NINGUNA GARANTIA O AFIRMACION DE HECHO, EXPRESA O IMPLICITA, QUE NO SEA ESTIPULADA EN LA “GARANTIA LIMITADA” ANTERIOR.

ADAPTACION DEL PRODUCTO. MUCHAS JURISDICCIONES TIENEN CODIGOS O REGULACIONES SOBRE LA VENTA, EL DISEÑO, LA INSTALACION Y/O EL USO DE PRODUCTOS PARA CIERTAS APLICACIONES; DICHAS LEYES PUEDEN VARIAR DE UN AREA A OTRA. SI BIEN SE TRATA DE QUE LOS PRODUCTOS SPEEDAIRE CUMPLAN CON DICHOS CODIGOS, NO SE PUEDE GARANTIZAR SU CONFORMIDAD Y NO SE PUEDE HACER RESPONSABLE POR LA FORMA EN QUE SE INSTALE O USE SU PRODUCTO. ANTES DE COMPRAR Y USAR EL PRODUCTO, REVISE LA INFORMACION DE SEGURIDAD/ESPECIFICACIONES, Y TODOS LOS CODIGOS Y REGULACIONES NACIONALES Y LOCALES APLICABLES, Y ASEGURESE QUE LOS PRODUCTOS SPEEDAIRE, LA INSTALACION Y EL USO LOS CUMPLAN.

CONSUMIDOR SOLAMENTE. CIERTOS ASPECTOS DE LIMITE DE RESPONSABILIDAD NO SE APLICAN A PRODUCTOS AL CONSUMIDOR; ES DECIR (A) ALGUNAS JURISDICCIONES NO PERMITEN LA EXCLUSION NI LIMITACION DE DAÑOS INCIDENTALES O CONSECENTES, DE MODO QUE LAS LIMITACIONES O EXCLUSIONES ANTERIORES QUIZAS NO APLIQUEN EN SU CASO; (B) ASIMISMO, ALGUNAS JURISDICCIONES NO PERMITEN LIMITAR EL PLAZO DE UNA GARANTIA IMPLICITA, POR LO TANTO, LA LIMITACION ANTERIOR QUIZAS NO APLIQUE EN SU CASO; Y (C) POR LEY, MIENTRAS LA GARANTIA LIMITADA ESTE VIGENTE NO PODRAN EXCLUIRSE NI LIMITARSE EN MODO ALGUNO NINGUNA GARANTIA IMPLICITA DE COMERCIALIZACION O DE IDONEIDAD PARA UN PROPOSITO EN PARTICULAR APLICABLES A LOS PRODUCTOS AL CONSUMIDOR ADQUIRIDOS POR ESTE.

ESTA GARANTIA LIMITADA APLICA UNICAMENTE A LOS PRODUCTOS SPEEDAIRE COMPRADOS POR COMPRADORES EN LOS ESTADOS UNIDOS PARA ENTREGA EN LOS ESTADOS UNIDOS.

SERVICIO DE GARANTIA

Para obtener un servicio de garantía si compró un producto cubierto directamente de W.W. Grainger, Inc. (“Grainger”), (i) escriba, llame o visite la sucursal local de Grainger donde compró el producto u otra sucursal de Grainger cerca de usted (visite www.grainger.com para obtener una lista de las sucursales); o (ii) comuníquese con Grainger visitando www.grainger.com y haga clic en el enlace “Contact Us” en la parte superior de la página, luego haga clic en enlace “Email us”; o (iii) llame a Servicio al Cliente (libre de cargo) al 1-888-361-8649. Para obtener servicio de garantía si compró el producto cubierto a través de otro distribuidor o minorista, (i), visite www.grainger.com para el Servicio de Garantía; (ii) escriba, llame o visite la sucursal de Grainger cerca de usted; o (iii) llame a Servicio al Cliente (libre de cargo) al 1-888-361-8649. En cualquiera de los casos, necesitará proporcionar, cuando esté disponible, la fecha de compra, el número de factura original, el número de pieza, una descripción del defecto, y cualquier otra información que especifique esta Garantía limitada de Speedaire por tres años. Se le podría solicitar que envíe el producto a su propio coste para que lo inspeccionen. Puede hacer un seguimiento de los avances de las inspecciones y medidas correctivas de la misma forma. El título y el riesgo de pérdida pasa del comprador en el momento de la entrega a la compañía de transporte, por lo que si el producto sufre daños durante el transporte, presente un reclamo a la compañía transportista, no al minorista o Grainger. Para información sobre la garantía para compradores y/o entregas fuera de los Estados Unidos, comuníquese con:

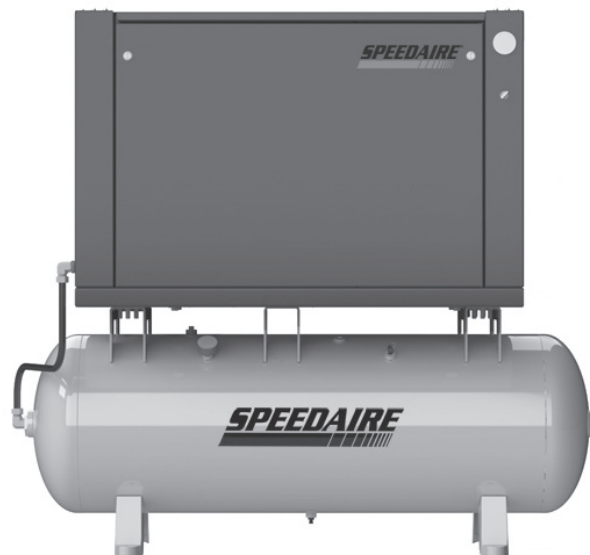
W.W. Grainger, Inc.

100 Grainger Parkway, Lake Forest, IL 60045 EE.UU.

o llame al +1-888-361-8649



SPEEDAIRE



Compresseurs d'Air Duplex à Deux Étages

Modèles 35WC74, 35WC75, 35WC76, 35WC77,
35WC78, 35WC79, 35WC80, 35WC81

®

SPEEDAIRE

LIRE ET CONSERVER CES INSTRUCTIONS. IL FAUT LES LIRE ATTENTIVEMENT AVANT DE COMMENCER À ASSEMBLER, INSTALLER, FAIRE FONCTIONNER OU ENTRETENIR L'APPAREIL DÉCRIT.

POUR SE PROTÉGER ET PROTÉGER AUTRUI, OBSERVER TOUTES LES INFORMATIONS SUR LA SÉCURITÉ. NÉGLIGER D'APPLIQUER CES INSTRUCTIONS PEUT CAUSER DES BLESSURES ET/OU DES DOMMAGES MATÉRIELS! CONSERVER CES INSTRUCTIONS POUR CONSULTATION ULTÉRIEURE.

SE REPORTER AU DOS DE LA PRÉSENTE BROCHURE POUR LES INFORMATIONS CONCERNANT LA GARANTIE SPEEDAIRE ET D'AUTRES INFORMATIONS IMPORTANTES.

N° de modèle : _____

N° de série : _____

Date d'achat : _____

Brochure 5S7608 / Imprimée en USA

Version 1 4/2015

© 2013 W.W. Grainger, Inc.

Tous droits réservés

AVANT DE COMMENCER

Introduction

Les compresseurs d'air de la série de Speedaire sont des compresseurs à deux étages, alternatifs lubrifiés à l'huile. Il existe deux configurations

Les modèles de la série Shop Air comprennent :

- Pompe à compression
- Réservoir d'air conforme à l'ASME incluant une soupape de sécurité
- Moteur électrique
- Démarreur
- Manostat
- Vanne d'arrêt

Référence rapide
Huile Recommandée (2 Options)
Huile de compresseur sans détergent à viscosité simple, SAE 30 ISO, numéro de pièce 4ZF21 ou 1WG50.
Huile synthétique 10W30 comme Mobil 1® ou 1WG49.
Capacité D'Huile
Environ 1,9 l (2 pintes)

DÉBALLAGE

⚠ ATTENTION *Ne pas soulever ni déplacer le modèle sans équipement convenable et s'assurer que le modèle soit bien fixé à l'appareil de levage. Ne pas soulever le modèle avec les tuyaux ou les refroidisseurs. Ne pas utiliser le modèle pour soulever d'autre équipement qui est attaché au compresseur.*

Dès que l'appareil est déballé, l'inspecter attentivement pour tout signe de dommages en transit. Vérifier s'il y a des pièces desserrées, manquantes ou endommagées. Vérifier pour s'assurer que tous les accessoires fournis sont inclus avec l'appareil. Pour toutes questions, pièces endommagées ou manquantes, appeler le 1-855-504-5678 pour le service à la clientèle.

⚠ AVERTISSEMENT *Ne pas utiliser l'appareil s'il est endommagé pendant le transport, la manutention ou l'utilisation. Des dommages peuvent entraîner un éclatement et provoquer des blessures ou des dommages à la propriété.*

Autres articles non inclus

- Huile

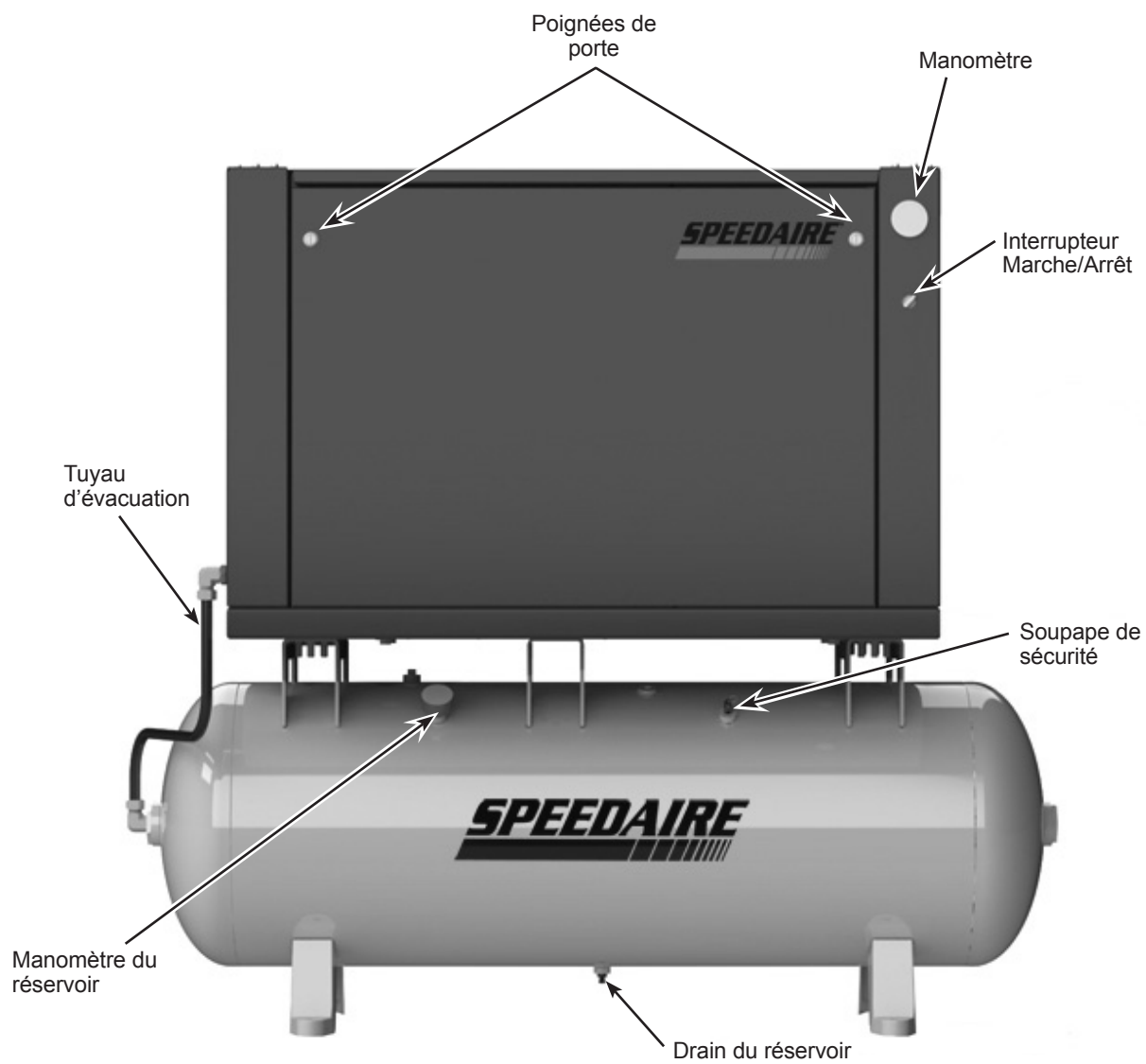
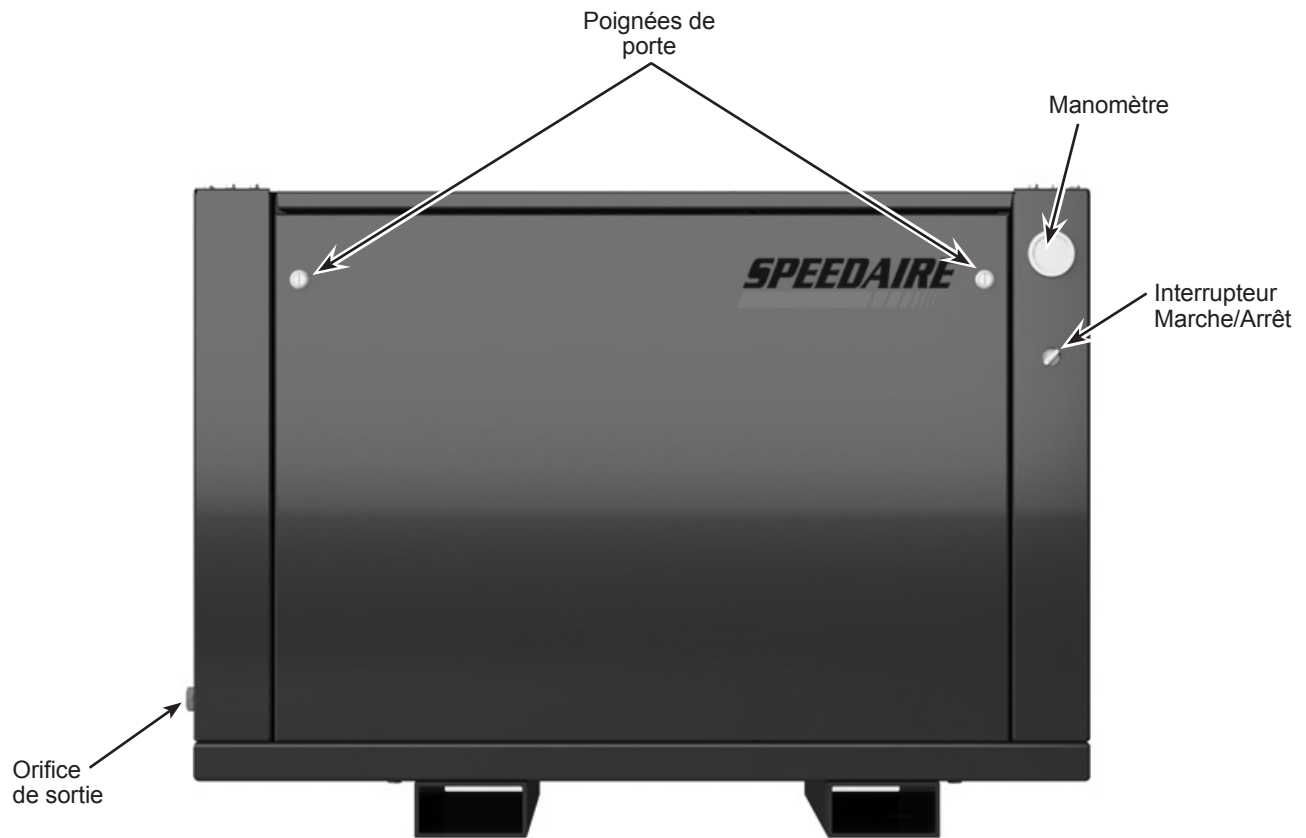


Figure 1

APPRENDRE À CONNAÎTRE VOTRE COMPRESSEUR**Figure 2**

INSTRUCTIONS GÉNÉRALES DE SÉCURITÉ

DIRECTIVES DE SÉCURITÉ

This manual contains information that is very important to know and understand. This information is provided for SAFETY and to PREVENT EQUIPMENT PROBLEMS. To help recognize this information, observe the following symbols.



DANGER Danger indique une situation hasardeuse imminente qui **RÉSULTERA** en perte de vie ou blessures graves.



AVERTISSEMENT Avertissement indique une situation hasardeuse potentielle qui **PEUT** résulter en perte de vie ou blessures graves.



ATTENTION Attention indique une situation hasardeuse potentielle qui **PEUT** résulter en blessures.

AVIS

AVIS Avis indique de l'information importante pour éviter le dommage de l'équipement.

REMARQUE : Remarque indique : des renseignements additionnels concernant le produit ou son utilisation.

Symboles De Sécurité

Les symboles de sécurité suivants apparaissent dans l'ensemble de ce manuel pour vous aviser des dangers et précautions importants de sécurité.



Porter une protection oculaire et un masque



Lire le manuel d'abord



Risque d'incendie



Risque de pièces mobiles



Risque de pièces chaudes



Risque d'explosion



Risques de fumées



Risque de pression



Risque de choc

Proposition 65 De Californie



AVERTISSEMENT Ce produit, utilisé pour la soudure, produit des vapeurs ou gaz qui contiennent des produits chimiques prouvés par l'État de Californie de provoquer des défaits de naissance (ou autre tort aux organes de la reproduction), et en quelques circonstances, le cancer. (le code 'California Health & Safety Code Section 25249.5 et seq'.).



AVERTISSEMENT Ce produit et son cordon contient du plomb, un produit chimique qui de l'avis de l'État de Californie peut causer le cancer et des anomalies congénitales ou d'autres problèmes pour la reproduction. Se laver les mains après toute manipulation.

Consignes importantes de sécurité

Veillez lire et conserver ces instructions. Lisez attentivement avant d'essayer d'assembler, d'installer, de faire fonctionner ou de réparer le produit décrit. Protégez-vous et les autres en considérant toutes les informations de sécurité. Le non-respect des instructions pourrait entraîner des blessures corporelles et/ou des dommages matériels! Conservez toutes les instructions pour vous y référer ultérieurement.

Ce manuel contient des informations importantes sur la sécurité opérationnel et entretien. Si vous avez des questions, s'il vous plait appelez 1-855-504-5678 pour service à la clientèle.

Puisque le compresseur d'air et les autres composants (article pompe, pistolet de pulvérisation, filtres, lubrifiants, tuyaux, etc.) utilisés font partie d'un système de pompage à haute pression, les précautions de sécurité suivantes doivent être prises en considération à tout moment :

Consignes importantes de sécurité (Suite)

▲ DANGER

AVERTISSEMENT D'AIR RESPIRABLE

Ce compresseur/pompe n'est pas équipé pour et ne devrait pas être utilisé "comme soi" pour fournir de l'air respirable. Pour les applications d'air pour la consommation humaine, il est nécessaire d'équiper le compresseur d'air/pompe avec de l'équipement de sécurité en canalisation et d'alarme. Cet équipement additionnel est nécessaire pour filtrer et purifier l'air afin d'atteindre les spécifications minimales pour la respiration Grade D décrite dans le Compressed Gas Association Commodity Specification G 7.1, OSHA 29 CFR 1910. 134, and/or Canadian Standards Associations (CSA).

DÉNÉGATION DES GARANTIES

Si le compresseur est utilisé pour les applications d'air respirable et l'équipement de sécurité en canalisation et d'alarme n'est pas utilisé simultanément, les garanties en existence seront annulées, et Campbell Hausfeld dénie toute responsabilité pour n'importe quelle perte, blessure ou dommage.

Généralités sur la Sécurité



- Lire attentivement tous manuels compris avec ce produit. Bien se familiariser avec les commandes et l'utilisation correcte de l'équipement.
- Suivre tous les codes d'électricité et de sécurité locaux ainsi que: National Electrical Codes (NEC) et Occupational Safety and Health Act (OSHA) des É.-U.
- Seules les personnes bien familiarisées avec ces règles d'utilisation doivent être autorisées à se servir du compresseur.
- Garder les visiteurs à l'écart de/et NE JAMAIS permettre les enfants dans l'endroit de travail.
- Utiliser des lunettes de sécurité et la protection auditive pendant l'utilisation du modèle.
- Ne pas se tenir debout sur/ou utiliser le modèle comme une prise.
- Inspecter le système d'air comprimé et pièces détachées électriques pour toute indication de dommage, détérioration, faiblesse ou fuites avant chaque utilisation. Réparer ou remplacer toutes pièces défectueuses avant l'utilisation.
- Inspecter le degré de serrage de toutes attaches par intervalles régulières.



▲ AVERTISSEMENT *Les moteurs, l'équipement et les commandes électriques peuvent causer des arcs électriques qui peuvent allumer un gaz ou une vapeur inflammable. Ne jamais utiliser ou réparer le modèle près d'un gaz ou d'une vapeur inflammable. Ne jamais entreposer les liquides ou gaz inflammables près du compresseur.*



▲ AVERTISSEMENT *Ne jamais utiliser un compresseur sans carter de courroie. Ce modèle peut se démarrer sans avis. Le contact avec les pièces mobiles peut causer des blessures personnelles ou dégâts matériels.*

- Ne pas porter les vêtements flottants ni la bijouterie qui peuvent se prendre dans les pièces mobiles du modèle.



▲ ATTENTION *Les pièces du compresseur peuvent être chaudes même si le modèle n'est pas en marche.*

- Garder les doigts à l'écart d'un compresseur qui est en marche; les pièces mobiles et chaudes peuvent causer des blessures et/ou brûlures.
- Si le compresseur vibre anormalement, ARRÊTER le moteur et l'inspecter immédiatement. La vibration est généralement une indication d'un problème.
- Pour réduire le risque d'incendie, garder l'extérieur du moteur libre d'huile, de solvant ou de graisse excessive.

▲ AVERTISSEMENT *Pour ce compresseur, c'est indispensable d'installer une soupape de décharge selon les normes de sûreté ASME avec un réglage non supérieur à la Pression Maximale de Service Permise (MAWP) sur la tuyauterie ou le réservoir. La soupape de sûreté ASME doit avoir une classification de débit et de pression suffisante afin de protéger les pièces détachées sous pression contre l'éclatement. La soupape de sûreté dans le refroidisseur ne fournit pas de protection pour le système.*

Consignes importantes de sécurité (Suite)

⚠ AVERTISSEMENT

La pression maximale de service est 1207 kPa pour les compresseurs à deux étages. Ne pas utiliser avec des manostats ou des soupapes qui sont réglés à plus que 1207 kPa (deux étages).

- Ne jamais essayer d'ajuster la soupape de sûreté ASME. Garder la soupape de sûreté libre de peinture et autres accumulations.

**⚠ AVERTISSEMENT**

Ne jamais essayer de réparer ni de modifier un réservoir! Le soudage, le perçage ou autre modifications peuvent affaiblir le réservoir et peut résulter en dommage de rupture ou d'explosion. Toujours remplacer un réservoir usé, fendu ou endommagé.

AVIS

Purger le liquide du réservoir quotidiennement.

- L'accumulation d'humidité cause la rouille qui peut affaiblir le réservoir. Purger le réservoir quotidiennement et l'inspecter périodiquement pour la rouille et la corrosion ou autre dommage.
- L'air mouvante peut agiter la poussière et le débris qui peut être dangereux. Lâcher l'air lentement en purgeant l'humidité ou pendant la dépressurisation du système de compresseur.

Précautions de Pulvérisation

⚠ AVERTISSEMENT

Ne pas pulvériser les matériaux inflammables dans un endroit de flamme ouverte ni près d'une source d'ignition y compris le compresseur.



- Ne pas fumer pendant la pulvérisation de la peinture, d'insecticides ou autres matières inflammables.
- Utiliser un masque/respirateur pendant la pulvérisation et pulvériser dans un endroit bien aéré pour éviter le risque de blessures et d'incendie.
- Ne pas diriger la peinture ou autre matériel pulvérisé vers le compresseur. Situer le compresseur aussi loin que possible de l'endroit de pulvérisation pour réduire l'accumulation de surpulvérisation sur le compresseur.
- Suivre les instructions du fabricant pendant la pulvérisation ou le nettoyage avec des solvants ou produits chimiques toxiques.

Conserver ces instructions

Ne les jetez pas

Les symboles **DANGER, AVERTISSEMENT, ATTENTION ET AVIS** ainsi que les instructions de ce manuel ne peuvent pas couvrir toutes les conditions et situations qui pourraient se produire. L'opérateur doit comprendre que les précautions sont des facteurs qui ne peuvent pas être inclus dans ce produit, mais doivent être fournis par l'opérateur.

CARACTÉRISTIQUES TECHNIQUES

	35WC74	35WC75	35WC76	35WC77	35WC78	35WC79	35WC80	35WC81
Moteur HP	5	5	7.5	7.5	5	5	7.5	7.5
Alimentation	230V	230V	230V	230V	230V	230V	230V	230V
Étape	1	3	1	3	1	3	1	3
Déplacement CFM	597,5 L/min	597,5 L/min	889,2 L/min	889,2 L/min	597,5 L/min	597,5 L/min	889,2 L/min	889,2 L/min
Débit d'air CFM	470,1 L/min	470,1 L/min	688,1 L/min	688,1 L/min	470,1 L/min	470,1 L/min	688,1 L/min	688,1 L/min
kPa max.	1207 kPa	1207 kPa	1207 kPa	1207 kPa	1207 kPa	1207 kPa	1207 kPa	1207 kPa
Pompe RPM	700	700	1020	1020	700	700	1020	1020
Capacité du réservoir	S/O	S/O	S/O	S/O	302.80 L	302.80 L	302.80 L	302.80 L
Poids de l'unité	285.77 kg	285.77 kg	285.77 kg	285.77 kg	376.49 kg	376.49 kg	376.49 kg	376.49 kg
Ampérage	22	12.8	31	17.9	22	12.8	31	17.9
Cycle d'exploitation max.	80/20	80/20	80/20	80/20	80/20	80/20	80/20	80/20
Sortie du réservoir	19,1 mm (3/4 po) (F) NPT	19,1 mm (3/4 po) (F) NPT	19,1 mm (3/4 po) (F) NPT	19,1 mm (3/4 po) (F) NPT	19,1 mm (3/4 po) (F) NPT	19,1 mm (3/4 po) (F) NPT	19,1 mm (3/4 po) (F) NPT	19,1 mm (3/4 po) (F) NPT
Niveau de décibels (aussi bas que)	68	68	68	68	68	68	68	68

DIMENSIONS

	35WC74	35WC75	35WC76	35WC77	35WC78	35WC79	35WC80	35WC81
Orientation du réservoir	S/O	S/O	S/O	S/O	horizontal	horizontal	horizontal	horizontal
Leng.	48 po (121,92 cm)	48 po (121,92 cm)	48 po (121,92 cm)	48 po (121,92 cm)	64 po (162,56 cm)	64 po (162,56 cm)	64 po (162,56 cm)	64 po (162,56 cm)
Larg.	34 po (86,36 cm)	34 po (86,36 cm)	34 po (86,36 cm)	34 po (86,36 cm)	34 po (86,36 cm)	34 po (86,36 cm)	34 po (86,36 cm)	34 po (86,36 cm)
Haut.	32 po (81,28 cm)	32 po (81,28 cm)	32 po (81,28 cm)	32 po (81,28 cm)	59 po (149,86 cm)	59 po (149,86 cm)	59 po (149,86 cm)	59 po (149,86 cm)

INSTRUCTIONS D'INSTALLATION



⚠ AVERTISSEMENT

Débrancher, étiquetter et verrouiller la source de puissance électrique et dissiper toute la pression du système avant d'essayer d'installer, réparer, déplacer ou de procéder à l'entretien du modèle.

⚠ ATTENTION

Ne pas soulever ni déplacer le modèle sans équipement convenable et s'assurer que le modèle soit bien fixé à l'appareil de levage. Ne pas soulever le modèle avec les tuyaux ou les refroidisseurs. Ne pas utiliser le modèle pour soulever d'autre équipement qui est attaché au compresseur.

⚠ ATTENTION

Ne jamais utiliser les palettes d'expédition pour monter le compresseur.

Choisir L'emplacement

Installer et utiliser le modèle au moins de 46 cm d'une obstruction et dans un endroit propre et bien ventilé. La température de l'air dans l'endroit ne devrait pas dépasser 37,8° C. Ceci assure un débit d'air sans obstruction pour refroidir le compresseur et permet de l'espace pour l'entretien.

⚠ ATTENTION

Ne pas situer la prise d'air du compresseur près de vapeurs, pulvérisation de peinture, endroits de décapage au sable ou n'importe quelle autre source de contamination.

REMARQUE: Si le compresseur est utilisé dans un endroit chaud et humide, il est nécessaire de fournir le compresseur avec de l'air extérieur propre et sec. Cet air devrait être canalisé d'une source externe.

* Le modèle illustré peut ne pas correspondre au modèle exact et est utilisé à des fins de démonstration pour illustrer l'espace minimal de 18 po autour du compresseur.

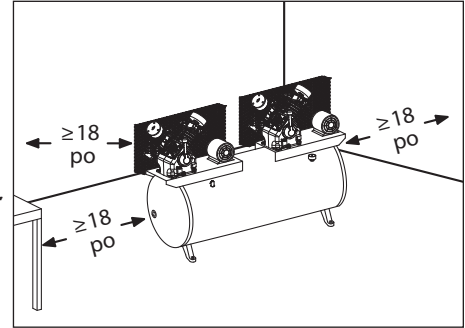


Figure 3 - Emplacement *

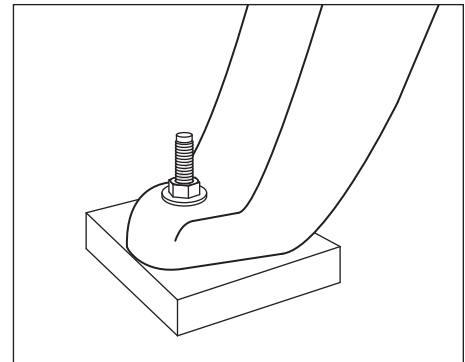


Figure 4 - Cousinnet isolant

Montage du Réservoir

Le réservoir devrait être boulonné dans un plancher en béton plat et égal ou sur une fondation en béton séparée. Utiliser des tampons isolateurs entre la jambe du réservoir et le plancher. Les tampons isolateurs MP367700AJ sont recommandés pour les modèles horizontaux. Les tampons isolateurs MP345700AJ sont recommandés pour les modèles verticaux. Les coussinets isolants sont inclus avec les modèles complets.

Ne pas trop serrer les boulons en utilisant les tampons isolateurs afin de permettre que les tampons absorbent les vibrations. Un tuyau ou raccord flexible doit être installé entre le réservoir et la tuyauterie de service.



⚠ AVERTISSEMENT

Manque d'installer le réservoir correctement peut causer des fentes aux joints soudés et la possibilité d'éclatement.

Tuyauterie

⚠ AVERTISSEMENT

Ne Jamais utiliser les tuyaux en plastique (CPV) pour l'air comprimé. Ceci peut résulter en blessures graves ou perte de vie.

N'importe quel tube, tuyau ou tuyau flexible branché au modèle doit pouvoir résister la température qui est produit et doit conserver la pression. Tous les composants sous pression du système d'air doivent avoir une valeur nominale de pression de 1 379 kPa (200 lb/po²) ou plus. La sélection ou l'installation incorrecte de n'importe quel tube, tuyau ou tuyau flexible peut résulter en éclatement et en blessures. Brancher le système de tuyauterie au réservoir en utilisant un raccord de même taille que celui de l'orifice de décharge.

Taille De Tuyau Minimum Pour Canalisation D'air Comprimé

m ³ /min	Longueur Du Système			
	7,62 m	15,24 m	30,48 m	76,2 m
10	12,7 mm	12,7 mm	19,1 mm	19,1 mm
20	19,1 mm	19,1 mm	19,1 mm	2,54 cm
40	19,1 mm	2,54 cm	2,54 cm	2,54 cm
60	19,1 mm	2,54 cm	2,54 cm	2,54 cm
100	2,54 cm	2,54 cm	2,54 cm	3,18 cm

INSTRUCTIONS D'INSTALLATION (SUITE)

Installation D'une Soupape D'arrêt

Une soupape d'arrêt devrait être installée sur l'orifice de décharge du réservoir pour régler le débit d'air du réservoir. La soupape devrait être située entre le réservoir et le système de tuyauterie.



Ne jamais installer une soupape d'arrêt entre la pompe du compresseur et le réservoir. Ceci peut résulter en blessures personnelles et/ou dommages à l'équipement. Ne jamais utiliser un appareil de réduction dans le tuyau flexible de refoulement.

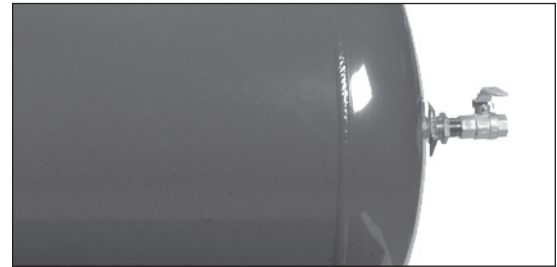


Figure 5 - Soupape d'arrêt

Pour un système d'installation permanent pour la distribution d'air comprimé, calculer la longueur du système et choisir la taille du tuyau selon le tableau. Enterrer les lignes souterraines sous le niveau de gélée et éviter les poches où la condensation pourrait s'accumuler et geler.

Appliquer la pression d'air à la tuyauterie et assurer que toutes les jointures sont sans fuites AVANT de couvrir les lignes souterraines. Rechercher et réparer toutes les fuites dans les tuyaux et raccords avant d'utiliser le compresseur.

Câblage



Tout le câblage et les connexions électriques doivent être exécutés par un électricien qualifié au courant des contrôles à moteurs industriels. L'installation doit conformer aux codes locaux et nationaux.



Un câblage inadéquat mènera à la surchauffe, les court-circuits et les dommages d'incendie.

L'installation de fils doit conformer aux National Electrical Code et aux codes et règlements locaux concernant les appareils électriques et l'installation de fils. Consulter avec et observer ceux-ci. Utiliser la taille correcte de fil et assurer que:

1. L'ampérage du service soit suffisant.
2. La ligne d'alimentation corresponde au moteur (tension, cycles et phase).
3. La taille du fil de ligne est correcte et qu'il n'y a pas d'autre équipement qui fonctionne sur la même ligne. Le tableau indique la taille minimum de fil pour les installations de compresseurs.

Taille de fil minimum utiliser le fil en cuivre 75°C

S'assurer que la tension est correcte avec le câblage du moteur.

REMARQUE: Si l'on utilise une monophasé de 208 volts, s'assurer que la plaque signalétique du moteur indique une valeur nominale de 208 volts en monophasé. Les moteurs monophasés de 230 volts ne fonctionnent pas à 208 volts à moins que ce ne soit une valeur de 208 volts.

HP	Amps	Monophasé		
		230V	208/230V	460/575V
SPL	Jusqu'à 22.0	10 AWG		
5.0		8 AWG	12 AWG	14 AWG
7.5		8 AWG	10 AWG	12 AWG
10.0		--	8 AWG	12 AWG
15.0		--	6 AWG	10 AWG
25.0		--	3 AWG	8 AWG

Les tailles de fils recommandées peuvent être plus larges que la configuration minimum des ordonnances locales. Si c'est le cas, utiliser le fil d'une taille plus large pour prévenir toute chute de tension excessive sur la ligne. Le coût supplémentaire du fil est très petit comparativement au coût de réparation ou de remplacement d'un moteur « épuisé » électriquement par l'utilisation de fils d'alimentation trop petits.

INSTRUCTIONS D'INSTALLATION (SUITE)**Mise à la terre****⚠ AVERTISSEMENT**

Les composantes électriques qui ne sont pas correctement mise à la terre tiennent le risque de secousse électrique. S'assurer que toutes les pièces soient mise à la terre correctement pour éviter les blessures personnelles ou la perte de vie.

Ce produit **doit** être mise à la terre pour diminuer le risque de secousse électrique en fournissant un fil d'échappement s'il y arrive un court-circuit. Ce produit doit être installé avec et utilisé avec un cordon d'alimentation qui a un fil de terre.

Disjoncteurs et Fusibles

Tout le système électrique doit être vérifié par un électricien agréé. Des fusibles et disjoncteurs à retardement sont nécessaires pour ce compresseur. Un fusible grillé ou un disjoncteur déclenché peut indiquer un court-circuit direct à la terre, un tirage élevé de courant, un mauvais câblage, un fusible ou un disjoncteur de mauvaise taille et/ou type. Ceci doit être évalué par un électricien agréé.

Branchement du Moteur et Installation du Démarreur

La protection de branchement doit être fournie selon le code des États-Unis; National Electrical Code, Chapter 2, "Wiring Design and Protection." Article 210, dans l'article "For Motors and Motor Controllers," (Article 430, Table 430-1 52).

IMPORTANT: Une protection contre la surcharge est requise pour tous les moteurs.

Les moteurs utilisés n'ont pas de protection contre la surcharge préfabriquée. Un démarreur magnétique est requis. Consulter les schémas de câblage suivants pour une installation électrique (Figures 8 et 9).



Figure 6 - Trousse de conversion de 460 volts - Série Pneu et lubrifiant

Sens de Rotation

REMARQUE: La rotation incorrecte peut diminuer la durée du modèle.

Le sens de rotation doit être dans le sens contraire des aiguilles d'une montre (indiquée par une flèche sur le volant dans Figure 7) quand vous êtes en face du volant. La plaque indicatrice du moteur indique l'information pour l'installation des fils pour la rotation au sens contraire des aiguilles d'une montre.

La direction correcte est très importante. Le sens de rotation pour un moteur triphasé peut être inversé en échangeant deux fils. Pour moteurs monophasés, se référer à la plaque indicatrice du moteur.

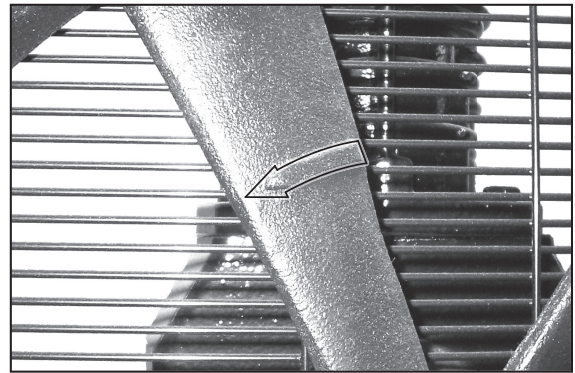


Figure 7 - Direction de rotation

INSTRUCTIONS D'INSTALLATION (SUITE)

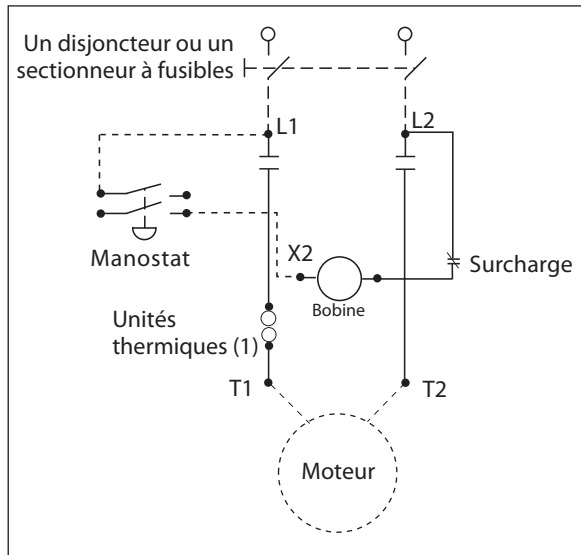


Figure 8 - Schéma de câblage monophasé

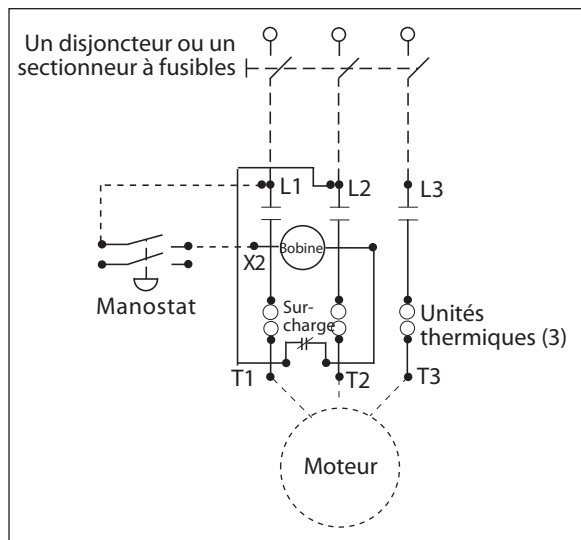


Figure 9 - Diagramme de câblage triphasé

INSTRUCTIONS D'INSTALLATION (SUITE)**Graissage**

⚠ ATTENTION **CE MODÈLE NE CONTIENT PAS D'HUILE.** Avant d'utiliser le compresseur. Remplir au centre de la jauge visuelle (voir la figure 10).

⚠ ATTENTION L'utilisation d'un autre type d'huile pourrait raccourcir la durée de la pompe et endommager les soupapes.

Référence rapide**Huile Recommandée (2 Options)**

Huile de compresseur sans détergent à viscosité simple, SAE 30 ISO, numéro de pièce 4ZF21 ou 1WG50.

Huile synthétique 10W30 comme Mobil 1® ou 1WG49.

Capacité D'Huile

Environ 1,9 l (2 pintes)

Remplir la pompe d'huile au centre de la jauge visuelle en utilisant l'ouverture de remplissage d'huile (voir la figure 10). **NE PAS remplir la pompe jusqu'à l'ouverture du bouchon de reniflard, car ceci pourrait mener à une fuite d'huile et une pulvérisation vers l'extérieur durant l'utilisation.**

REMARQUE: Il pourrait y avoir des résidus d'huile dans la pompe des tests en usine laissant une mince couche sur la jauge visuelle, mais il n'y a pas assez d'huile pour faire fonctionner l'unité.

FONCTIONNEMENT

IMPORTANT: Vérifier la rotation du moteur avant d'utiliser le compresseur.

Toutes les pompes de compresseur graissées débitent un peu d'humidité et d'huile avec l'air comprimé. Installer l'équipement pour l'enlèvement d'eau/huile et commandes convenables à l'application.

AVIS **Manque d'installer l'équipement pour l'élevage d'eau/huile peut endommager les machines ou l'objet de travail.**

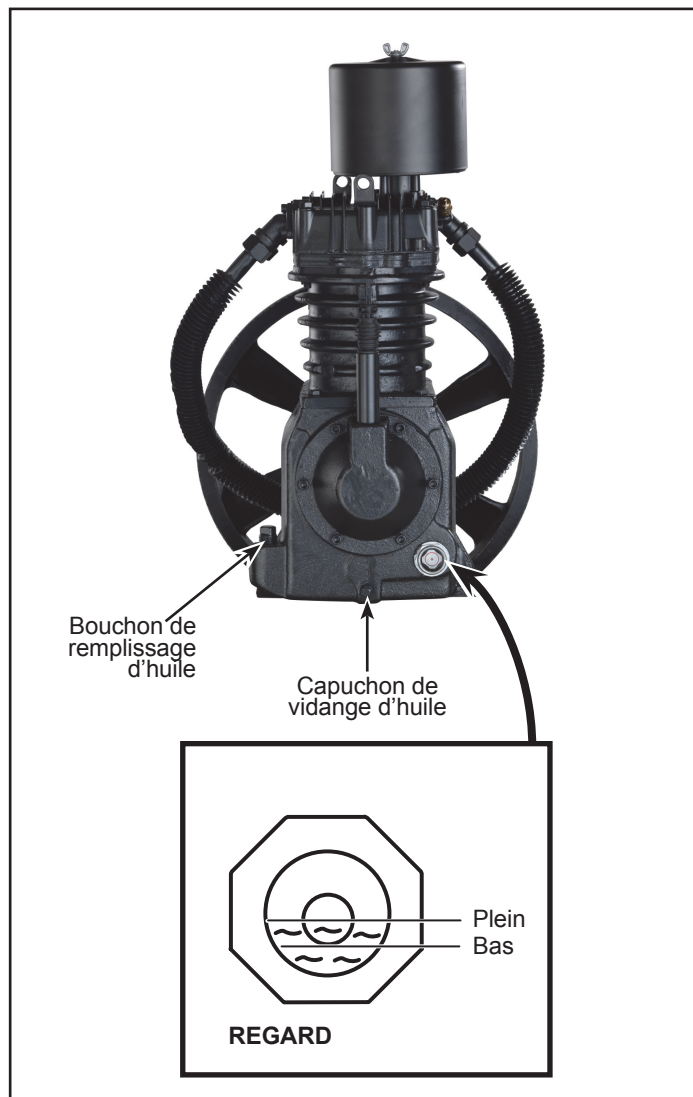


Figure 10 - Graissage

Fonctionnement (Suite)

Carters



⚠ AVERTISSEMENT

Le carter de courroie fournit doit être installé avant l'utilisation du modèle.

Toutes les pièces mobiles doivent être protégées. Tous les couvercles électriques doivent être installés avant de mettre en circuit.

Rodage Recommandé

Le compresseur doit fonctionner pour une heure continuellement afin de permettre l'ajustage des segments de piston.

1. Ouvrir le robinet de purge et faire fonctionner le compresseur pour 60 minutes.
2. Mettre le compresseur hors circuit et fermer le robinet de purge. Le compresseur est maintenant prêt à utiliser.

Manostat Démarrage - Arrêt

REMARQUE: La pression de service maximale du compresseur est 1207 kPa pour les compresseurs à deux étages. Ne pas altérer les réglages de pression sur les pièces de commandes afin qu'ils dépassent cette limite.

Le compresseur démarre et s'arrête selon les configurations de pressostat pré-réglées de 1 000 kPa de fermeture et de 1 207 kPa de coupure. Le manostat a un appareil de déchargement qui est une soupape qui sert à ventiler l'air et permet le démarrage facile du modèle (Voir la Figure 11).

La soupape de décharge du pressostat devrait siffler pendant un certain temps lorsque le compresseur s'éteint. Ceci dégage la hauteur de charge et le tube d'échappement de toute pression et permet au compresseur de démarrer sans charge. Puisque les compresseurs ont un couple de démarrage élevé, il faut la décharge pour un démarrage approprié du compresseur.

Le clapet de non-retour est un clapet d'une direction qui conserve l'air dans le réservoir lorsque l'appareil est éteint. Le moyen le plus facile pour déterminer si le clapet de non-retour fonctionne correctement est de s'assurer que la décharge de pressostat cesse de siffler après que le compresseur s'éteint. Ce sifflement devrait durer quelques secondes, puis s'arrêter.

Reniflard du Carter

Un peu d'huile peut s'accumuler à l'ouverture du reniflard du carter pendant les conditions de fonctionnement sévères ou pendant le premier démarrage. Ceci est normal et diminuera après le rodage et une fois que les segments de piston soient ajustés.

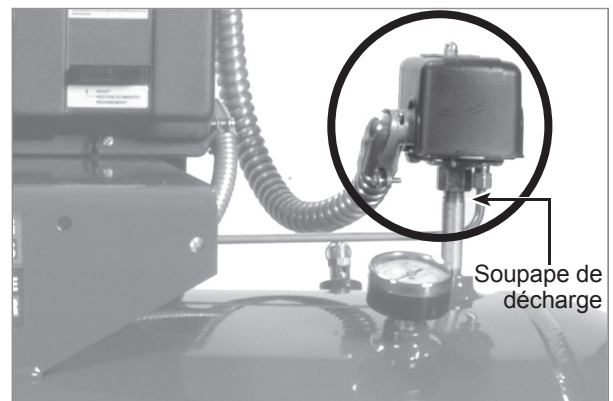


Figure 11 - Pressostat

GUIDE DE DÉPANNAGE POUR LES NOUVELLES INSTALLATIONS

Symptôme	Cause(s) Possible(s)	Action Corrective
L'appareil ne dépasse pas - le moteur fait du bruit	1. Courant insuffisant au compresseur	1. La source d'électricité au compresseur est soit de la mauvaise tension, le fil est d'une taille insuffisante pour transporter la charge, la boîte de fusibles ou la boîte du disjoncteur est insuffisante pour répondre aux exigences de transport de charge au compresseur.
	2. L'appareil est câblé incorrectement	2. Tout câble autre que ce qui est indiqué dans le manuel pourrait mener à un mauvais fonctionnement (voir la section de câblage).
	3. Mauvaise tension fournie à l'appareil	3. S'assurer que la tension est correcte avec le câblage du moteur (voir la section de câblage).
	4. Connexions électriques dégagees	4. Tout le système électrique doit être vérifié par un électricien agréé. Les câbles d'entrée et les connexions électriques du compresseur devraient être vérifiés. Les connexions desserrées provoqueront de mauvais fonctionnements.
	5. Mauvaise taille de câblage.	5. Vérifier que la taille du câble a une valeur pour le courant du compresseur. Les codes d'état et locaux varient beaucoup et doivent être vérifiés avant l'installation.
	6. Fusible grillé et/ ou disjoncteur déclenché	6. Le disjoncteur et les fusibles requis pour cet appareil doivent être à retardement. Un fusible grillé ou un disjoncteur déclenché peut indiquer un court-circuit direct à la terre, un tirage élevé de courant, un mauvais câblage, un fusible ou un disjoncteur de mauvaise taille et/ou type. Ceci doit être évalué par un centre de service ou un électricien agréé.
	7. Surcharge de démarreur déclenchée	7. Vérifiez et réinitialisez au besoin. Si la surcharge est déclenchée après la réinitialisation initiale, consultez la section ci-dessous « Réinitialiser les déclencheurs du démarreur ».
L'unité ne démarre pas - le moteur fait du bruit	1. L'appareil est câblé incorrectement	1. Tout câble autre que ce qui est indiqué dans le manuel pourrait mener à un mauvais fonctionnement (voir la section de câblage).
	2. Mauvaise tension	2. S'assurer que la tension est correcte avec le câblage du moteur (voir la section de câblage).
	3. Connexions électriques dégagees	3. Tout le système électrique doit être vérifié par un électricien agréé. Les câbles d'entrée et les connexions électriques du compresseur devraient être vérifiés. Les connexions desserrées provoqueront de mauvais fonctionnements.
La réinitialisation se déclenche au démarrage	1. L'appareil est câblé incorrectement	1. Vérifier la tension, la taille du câblage, etc. Ce problème doit être évalué et corrigé (voir la section du câblage).
	2. Mauvaise tension	2. S'assurer que la tension est correcte avec le câblage du moteur (voir la section de câblage).
	3. Mauvaise taille de câblage.	3. Vérifier que la taille du câble a une valeur pour le courant du compresseur. Vérifier que la taille du câble a une valeur pour le courant du compresseur. Les codes d'état et locaux varient beaucoup et doivent être vérifiés avant l'installation.
L'appareil démarre, mais n'atteint pas sa pleine vitesse	1. Courant insuffisant au compresseur	1. La source d'électricité au compresseur est soit de la mauvaise tension, le fil est d'une taille insuffisante pour transporter la charge, la boîte de fusibles ou la boîte du disjoncteur est insuffisante pour répondre aux exigences de transport de charge au compresseur.
	2. Connexions électriques dégagees	2. Tout le système électrique doit être vérifié par un électricien agréé. Les câbles d'entrée et les connexions électriques du compresseur devraient être vérifiés. Les connexions desserrées provoqueront de mauvais fonctionnements.
L'appareil ne produit pas ou produit très peu d'air	1. Soupape de purge ouverte	1. S'assurer que le robinet de vidange au bas du réservoir est fermé.
	2. Fuite d'air	2. Vérifier tout le système pour tout signe de fuites, incluant le compresseur et toute tuyauterie rattachée au compresseur.
	3. Aspiration d'air limitée ou bloquée	3. S'assurer que l'alimentation d'air du compresseur n'est bloquée d'aucune façon.

Suite à la page suivante

GUIDE DE DÉPANNAGE POUR LES NOUVELLES INSTALLATIONS (SUITE)

Symptôme	Cause(s) Possible(s)	Action Corrective
L'appareil fonctionne bruyamment	1. Dommage au compresseur	1. Vérifier pour s'assurer que le compresseur n'a pas été endommagé dans l'expédition ou l'installation. S'assurer que le protecteur de courroie n'est pas endommagé. Le protecteur de courroie ne doit pas être en contact avec le volant ou la poulie.
	2. Attaches desserrées	2. Vérifier tous les boulons et écrous pour s'assurer qu'ils ne se sont pas desserrés dans l'expédition.
	3. Volant ou poulie desserré(e)	3. Vérifier pour s'assurer que la poulie ou le volant sont bien resserrés.
	4. Mauvaise installation	4. Si l'appareil est laissé sur le patin, cela pourrait provoquer des vibrations excessives. Retirer l'appareil du patin et le monter sans resserrer sur le plancher avec les coussinets de vibrations et les boulons d'ancrage. Ne pas resserrer les boulons complètement. Laisser l'écrou desserré d'environ 3,2 mm (1/8 po) du pied du compresseur.
De l'huile dans l'air de décharge ou hors du reniflard du carter	1. Période de rodage	1. Un peu d'huile dans l'air d'échappement est normal durant la période de rodage et durant les périodes d'utilisation lourde après la période de rodage. La décharge d'huile devrait être réduite avec l'accumulation d'heures d'utilisation de l'appareil.
	2. Mauvais type d'huile	2. Ne pas utiliser d'huile de type automobile SAE-30. Utiliser la mauvaise huile peut causer des problèmes de pompe et annulera la garantie. Utiliser seulement des huiles recommandées dans le manuel d'utilisation (voir la section lubrification).
	3. Mauvais environnement	3. L'appareil ne doit pas être installé dans un endroit mal ventilé ou exposé à des conditions d'extrême chaleur ou froid. La plage d'exploitation normale doit être entre 0 et 37 °C (32 et 100°F).
Le compresseur semble tourner à chaud	Rotation incorrecte	Vérifier pour s'assurer que le compresseur tourne dans la direction de la flèche du volant. La circulation d'air devrait permettre au volant de diriger l'air à travers la tête de pompe. Debout devant le compresseur (non pas du côté du protecteur de courroie), l'air devrait revenir vers l'avant.

GUIDE DE DÉPANNAGE POUR LES UNITÉS EN SERVICE PENDANT UNE PÉRIODE DE TEMPS (SUITE)

Symptôme	Cause(s) Possible(s)	Action Corrective
Le moteur ne démarre pas	1. Connexions électriques dégagees	1. Tout le système électrique doit être vérifié par un électricien agréé. Les câbles d'entrée et les connexions électriques du compresseur devraient être vérifiés. Les connexions desserrées provoqueront de mauvais fonctionnements.
	2. Fusible grillé et/ ou disjoncteur déclenché	2. Le disjoncteur et les fusibles requis pour cet appareil doivent être à retardement. Un fusible grillé ou un disjoncteur déclenché peut indiquer un court-circuit direct à la terre, un tirage élevé de courant, un mauvais câblage, un fusible ou un disjoncteur de mauvaise taille et/ou type. Ceci doit être évalué par un centre de service ou un électricien agréé.
	3. Surcharge de démarreur déclenchée.	3. Vérifiez et réinitialisez au besoin. Si la surcharge est déclenchée après la réinitialisation initiale, consultez la section du « Guide de dépannage pour les nouvelles installations ».
	4. Condensateur défectueux.	4. Vérifier et remplacer (si nécessaire) le condensateur défectueux.
	5. Démarreur magnétique défectueux.	5. Vérifier d'abord tous câbles desserrés et resserrer au besoin. Vérifier et remplacer (si nécessaire) le démarreur magnétique défectueux.
Le moteur ronfle, le moteur tire une forte intensité, il y a déclenchement de surcharge, déclenchement du disjoncteur ou fusible grille au démarrage	1. Décharge de pressostat défectueux	1. Drainer le réservoir de toute pression. Redémarrer le compresseur sans charge. Si le compresseur peut démarrer, alors la décharge doit être vérifiée. Si ce problème n'est pas corrigé, le moteur et/ou d'autres composants électriques auront des problèmes.
	2. Clapet de non-retour défectueux - perte constante de pression du réservoir	2. Déterminer si le clapet de non-retour fonctionne correctement - la décharge de pressostat devrait cesser de siffler après que le compresseur s'éteint. Si le sifflement se poursuit et s'il y a une perte constante de pression du réservoir, alors le clapet de non-retour ne fonctionne pas correctement. Remplacer le clapet de non-retour.
	3. Connexions électriques dégagees	3. Tout le système électrique doit être vérifié par un électricien agréé. Les câbles d'entrée et les connexions électriques du compresseur devraient être vérifiés. Les connexions desserrées provoqueront de mauvais fonctionnements.
	4. Condensateur défectueux.	4. Vérifier et remplacer (si nécessaire) le condensateur défectueux.
	5. Problème de clapet ou joint sauté	5. Vérifier le joint et remplacer au besoin. Il y a d'autres symptômes lorsqu'un clapet n'est pas scellé ou qu'un joint est sauté comme un tirage d'intensité normale qui pourrait déclencher une surcharge ou un disjoncteur.
Le compresseur fonctionne, mais accumule de la pression lentement	1. Fuite d'air	1. Vérifier tout le système pour tout signe de fuites, incluant le compresseur et toute tuyauterie rattachée au compresseur.
	2. Filtre d'air sale	2. Les filtres d'air doivent être changés régulièrement selon l'usage et l'environnement. Un filtre sale peut sembler propre. Changer souvent les filtres.
	3. Problème de clapet ou joint sauté	3. Vérifier le joint et remplacer au besoin. Il y a d'autres symptômes lorsqu'un clapet n'est pas scellé ou qu'un joint est sauté comme un tirage d'intensité normale qui pourrait déclencher une surcharge ou un disjoncteur.
	4. Réservoir fissuré	4. Remplacer le réservoir. L'appareil ne devrait pas être utilisé dans ces conditions. Les réservoirs ne peuvent pas être soudés ou rapiécés.
La soupape de sûreté interétage sort lorsque l'appareil fonctionne	1. Soupape ou un joint usé	1. Vérifier et remplacer le robinet ou les joints au besoin.
	2. Couple de boulon à tête basse	2. Vérifier et resserrer les boulons à tête au couple spécifié.x.
	3. Soupape de sûreté interétage défectueuse	3. Remplacer la soupape de sûreté interétage. Il ne faut dans aucun cas boucher le port de soupape de sûreté.
Fuite d'huile du reniflard	1. Anneaux usés ou cylindre marqué	1. Remplacer les anneaux et/ou remplacer le cylindre.
	2. Le compresseur tourne à chaud	2. S'assurer que le compresseur tourne à la bonne rotation. Le compresseur doit être propre et dans un endroit bien ventilé. L'huile doit être changée à des intervalles réguliers selon les spécifications indiquées dans le manuel. Le filtre d'air doit être changé, car il se salit.

GUIDE DE DÉPANNAGE POUR LES UNITÉS EN SERVICE PENDANT UNE PÉRIODE DE TEMPS (SUITE)

Symptôme	Cause(s) Possible(s)	Action Corrective
Huile laiteuse dans le carter	<ol style="list-style-type: none"> 1. Faible usage du compresseur - l'eau se condense dans le carter 2. Mauvais type d'huile 3. Mauvais environnement 4. Rotation incorrecte 5. Légère fuite de réservoir, vérifier le clapet 	<ol style="list-style-type: none"> 1. Faire fonctionner le compresseur continuellement pendant 1 heure. La chaleur produite durant cette période de fonctionnement évaporerait l'humidité de l'huile. 2. Ne pas utiliser d'huile de type automobile SAE-30. Utiliser la mauvaise huile peut causer divers problèmes de pompe et annuler la garantie. Utiliser seulement des huiles recommandées dans le manuel d'utilisation. 3. L'appareil ne doit pas être installé dans un endroit mal ventilé ou exposé à des conditions d'extrême chaleur ou froid. La plage d'exploitation normale doit être entre 0 et 37 °C (32 et 100°F). 4. Vérifier pour s'assurer que le compresseur tourne dans la direction de la flèche du volant. La circulation d'air devrait permettre au volant de diriger l'air à travers la tête de pompe. Debout devant le compresseur (non pas du côté du protecteur de courroie), l'air devrait revenir vers l'avant. 5. L'air refroidit et se condense, puis fuit et revient dans la pompe. Drainer le réservoir d'air après l'utilisation résoudra normalement le problème.
Le pressostat fait continuellement sortir de l'air de la soupape de décharge	Clapet de non-retour défectueux	Remplacer le clapet
Le pressostat ne dégage pas d'air lorsque le compresseur s'éteint.	La décharge de pressostat ne fonctionne pas correctement	Drainer le réservoir de toute pression. Redémarrer le compresseur sans charge. Si le compresseur peut démarrer, alors la décharge doit être vérifiée. Si ce problème n'est pas corrigé, le moteur aura des problèmes et/ou d'autres composants électriques.
Le compresseur ne s'arrête pas	<ol style="list-style-type: none"> 1. Pressostat défectueux 2. Soupape de sûreté défectueuse 	<ol style="list-style-type: none"> 1. Le réglage trop haut. Si l'ajustement du réglage ne fonctionne pas, remplacer le pressostat. 2. S'assurer que le manomètre du réservoir lit correctement et si nécessaire remplacer la soupape de sûreté du réservoir.
L'appareil vibre excessivement	<ol style="list-style-type: none"> 1. Attaches desserrées 2. Poulie desserrée, courroie desserrée ou mauvais alignement de poulies 3. Pompe défectueuse 	<ol style="list-style-type: none"> 1. Ceci inclut les boulons de montage de la pompe, le moteur, le protecteur de courroie, le démarreur magnétique, etc. Vérifier s'il y a des attaches desserrées dans le cadre d'une routine d'entretien. Resserrer les attaches desserrées. 2. La poulie et la courroie devront peut-être être resserrées avec le temps. Les poulies devront peut-être être réalignées pour assurer la bonne usure de courroie et réduire les vibrations. Il faut vérifier dans le cadre de l'entretien régulier. 3. Une pompe défectueuse inclut des coups ou des bruits qui ne sont pas normaux selon la conception de la pompe. Beaucoup d'huile qui sort du reniflard indique l'usure de l'anneau ou du cylindre. Une faible performance de pompe pourrait indiquer des problèmes de robinet. Il y a plusieurs symptômes associés à une pompe défectueuse. La pompe devra être réévaluée.
Eau dans l'air de décharge	<ol style="list-style-type: none"> 1. Temps humides et chauds 2. Eau accumulée dans le réservoir 	<ol style="list-style-type: none"> 1. Pendant les temps chauds et humides, il est normal d'avoir de l'accumulation d'eau dans le réservoir du compresseur. Ceci est normal et exige de fréquents drainages du réservoir. Nous recommandons l'utilisation d'un drain automatique avec filtres et séchoirs si cela est un problème. 2. Drainer le réservoir d'eau pour éviter la corrosion du réservoir et l'usure de l'outil pneumatique. Nous recommandons l'utilisation d'un drain automatique avec filtres et séchoirs pour éviter que l'eau entre dans l'air d'échappement du compresseur.

Suite à la page suivante

GUIDE DE DÉPANNAGE POUR LES UNITÉS EN SERVICE PENDANT UNE PÉRIODE DE TEMPS (SUITE)

Symptôme	Cause(s) Possible(s)	Action Corrective
Huile dans l'air de décharge	1. Filtre d'aspiration entravé	1. Le filtre doit être changé fréquemment pour éviter les problèmes possibles et pour permettre une opération efficace du compresseur. Il y a un vide créé dans l'aspiration du compresseur ce qui mène à une forte consommation d'huile en attirant de l'huile par les anneaux. Il y a aussi une possibilité de destruction de média du filtre d'aspiration permettant aux contaminants d'entrer par l'aspiration et mener à des problèmes d'usure.
	2. Mauvais type d'huile	2. Ne pas utiliser d'huile de type automobile SAE-30. Utiliser la mauvaise huile peut causer divers problèmes de pompe et annulera la garantie. Utiliser seulement des huiles recommandées dans le manuel d'utilisation.
	3. Anneaux usés ou cylindre marqué	3. Remplacer les anneaux et/ou remplacer le cylindre
	4. Le compresseur tourne à chaud	4. S'assurer que le compresseur tourne à la bonne rotation. Le compresseur doit être propre et dans un endroit bien ventilé. L'huile doit être changée à des intervalles réguliers selon les spécifications indiquées dans le manuel. Le filtre d'air doit être changé, car il se salit.

INSTRUCTIONS D'ENTRETIEN ET D'INSPECTION



⚠ AVERTISSEMENT *Débrancher, étiquetter, verrouiller la source de puissance et ensuite dissiper toute la pression du système avant d'essayer d'installer, réparer, déplacer ou de procéder à l'entretien.*

Vérifier le filtre à air et le niveau d'huile avant chaque utilisation afin de garder le système de compresseur en bon état de marche. Inspecter la soupape de sûreté ASME quotidiennement (Voir la Figure 12). Tirer sur la bague de la soupape de sûreté et la laisser revenir à sa position normale. Cette soupape laisse échapper de l'air automatiquement si la pression dans le réservoir dépasse la pression maximale réglée d'avance. Remplacer la soupape de sûreté ASME s'il y a une fuite d'air une fois que la soupape soit lâchée ou si la soupape est grippée.

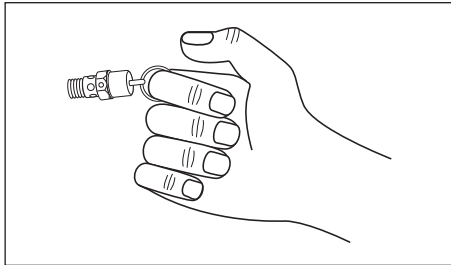


Figure 12 - Soupape de sûreté ASME

⚠ AVERTISSEMENT *Ne pas toucher la soupape de sûreté ASME.*

Réservoir



⚠ AVERTISSEMENT *Ne jamais essayer de réparer ou d'altérer un réservoir! Le soudage, perçage ou n'importe quelle autre modification peut affaiblir le réservoir et peut résulter en rupture ou en explosion. Toujours remplacer les réservoirs usés, fendus ou endommagés.*

AVIS *Purger le réservoir quotidiennement.*

Le réservoir doit être inspecté soigneusement au moins une fois par année. Vérifier pour des fissures près des soudures. S'il y a une fissure, dissiper la pression du réservoir et le remplacer immédiatement.

Graissage du Compresseur

Voir la section de Fonctionnement. Ajouter de l'huile si nécessaire. Changer l'huile et le filtre chaque trois mois ou après chaque 500 heures d'opération, selon laquelle arrive en premier.

Si le compresseur est utilisé sous les conditions humides pour durées courtes, l'humidité peut se condenser dans le carter et l'huile peut paraître crémeuse. L'huile qui est contaminée avec de l'eau condensée ne fournit pas de lubrification suffisante et doit être remplacée immédiatement. L'utilisation de l'huile contaminée peut endommager les roulements, pistons, cylindres et bagues et n'est pas couverte par la garantie. Pour éviter la condensation d'eau dans l'huile, il est nécessaire de faire fonctionner le compresseur à 1034 kPa pour les compresseurs à deux étages ou 827 kPa pour les compresseurs à une étage en ouvrant le robinet de purge ou une soupape d'air qui est branchée au réservoir ou à un tuyau. Faire fonctionner la pompe pendant une heure au moins une fois par semaine ou plus souvent si la condensation se manifeste.

IMPORTANT: Changer l'huile après les premières 50 heures de fonctionnement.

Filtre à Air

Ne jamais utiliser le compresseur sans un filtre à air d'admission ou avec un filtre à air d'admission obstrué. L'élément du filtre d'air doit être vérifié chaque mois (voir la figure 13). L'utilisation d'un compresseur avec un filtre sale peut augmenter la consommation d'huile et peut augmenter la contamination d'huile dans l'air. Si le filtre d'air est sale, il faut le remplacer.



Figure 13 - Filtre d'air

INSTRUCTIONS D'ENTRETIEN ET D'INSPECTION (SUITE)

Refroidisseur

⚠ ATTENTION *Les ailettes du refroidisseur sont pointues, toujours porter des gants et prendre précaution pendant le nettoyage du refroidisseur ou si vous travaillez près du refroidisseur.*

Vérifier le serrage de tous les raccords du refroidisseur chaque semaine. Nettoyer la saleté, la poussière et toutes autres accumulations des ailettes du refroidisseur.

Pièces D'étachées

Couper tout courant et nettoyer la tête du cylindre, le moteur, les lames du ventilateur, les conduites d'air, le refroidisseur et le réservoir chaque mois.

Courroies

⚠ AVERTISSEMENT *Mettre hors circuit et étiqueter la source de puissance et dissiper toute pression du réservoir pour éviter le mouvement inattendu du modèle.*

Vérifier la rigidité des courroies chaque 3 mois. Ajuster la rigidité des courroies afin de permettre une déflexion de

0,9 cm à 1,2 cm avec pression du pouce normale. Aligner les courroies en utilisant une limande contre la face du volant et en touchant le limbe sur les deux bords de la face. Les courroies devraient être parallèles à la limande (Voir la Figure 14). Dimension A devrait être la même que B et C pour assurer l'alignement correct des courroies.

Des fentes dans la plaque permettent que le moteur glisse en avant et en arrière pour ajuster la tension de la courroie.

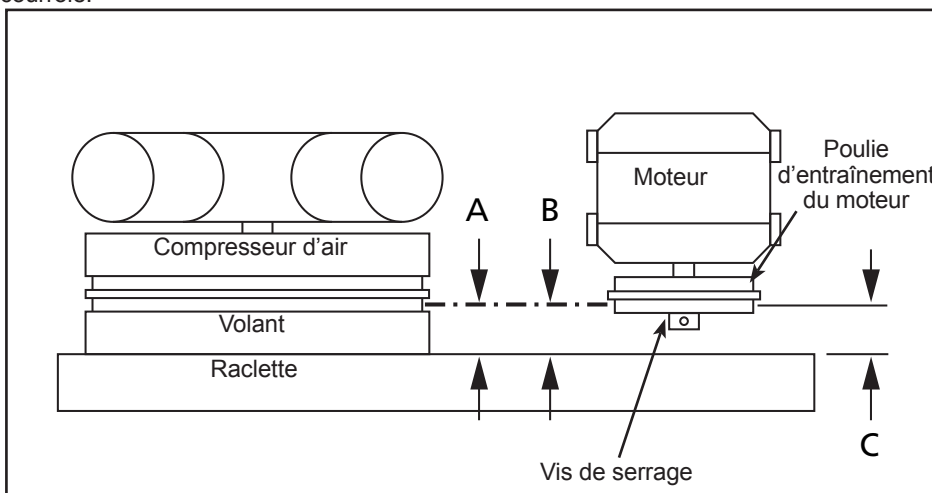
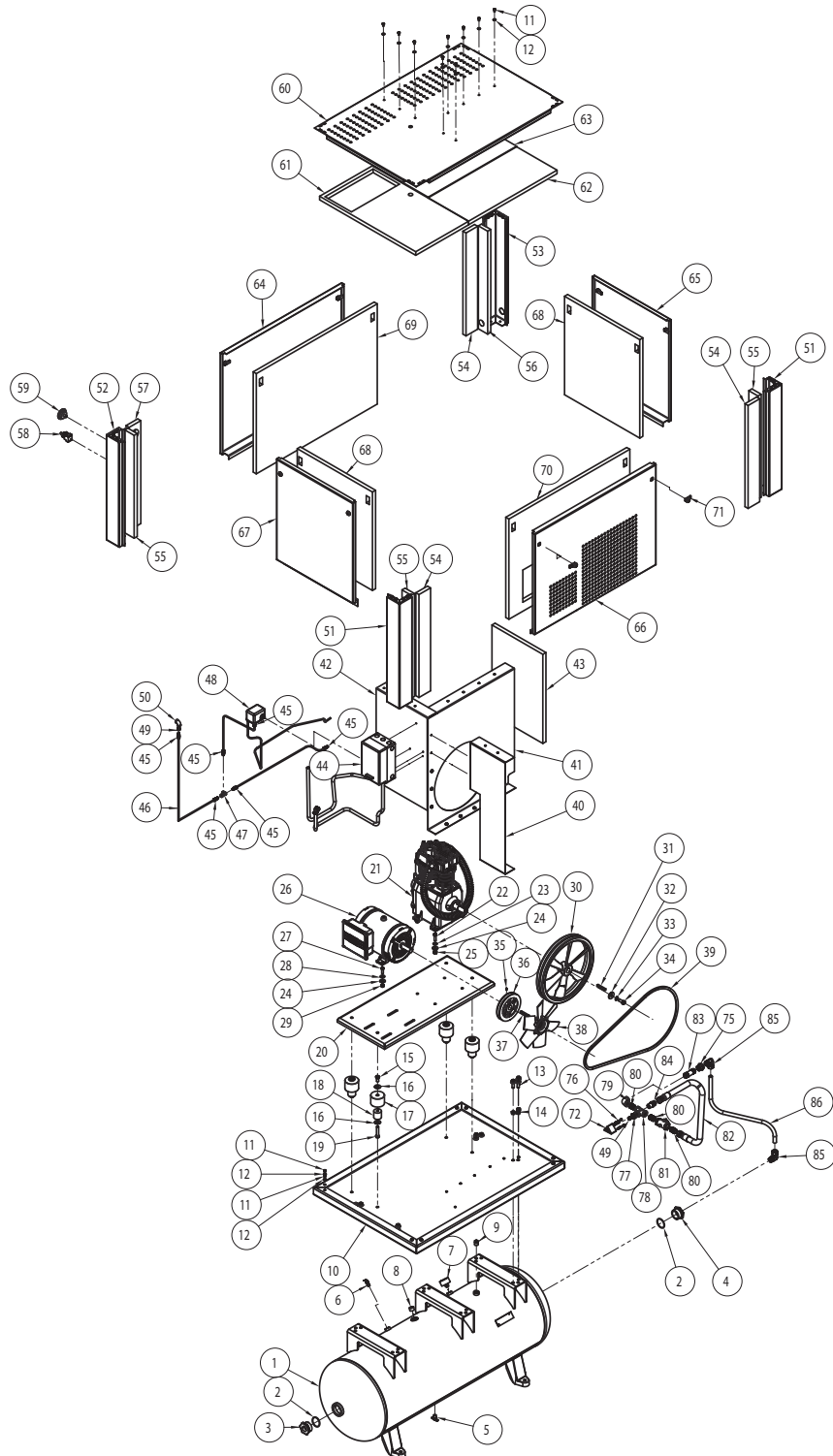


Figure 14 - Vue du dessus

Horaire D'entretien

Fonctionnement	Quotidiennement	Mensuellement	3 Mois
Vérifier la soupape de sûreté	●		
Purger le réservoir	●		
Vérifier le niveau d'huile	●		
Nettoyer ou changer le filtre à air		●	
Vérifier le refroidisseur		●	
Nettoyer les pièces du modèle		●	
Vérifier le serrage de la courroie			●
Changer l'huile (Voir la Figure 10)			●

ILLUSTRATION DES PIÈCES DÉTACHÉES POUR LES MODÈLES 35WC74, 35WC75, 35WC76, 35WC77, 35WC78, 35WC79, 35WC80, 35WC81



Pour commander des pièces détachées, composer le 1-800-Grainger

24 heures par jour – 365 jours par an

Fournir les informations suivantes :

- Numéro de modèle
- Numéro de série (s'il y en a un)
- Description et numéro de pièce comme indiqué sur la liste des pièces

LISTE DES PIÈCES DÉTACHÉES POUR LES MODÈLES 35WC74, 35WC75, 35WC76, 35WC77, 35WC78, 35WC79, 35WC80, 35WC81

N° de réf.	Description	Numéro de pièce :	Qté
1 *	RÉSERVOIR D'AIR		
	MODÈLES 35WC74, 35WC75, 35WC78, 35WC79	5Z404	1
	MODÈLES 35WC76, 35WC77, 35WC80, 35WC81	5F566	1
2 *	ANNEAU EN O-2.109 ID-0.139 CS	ST070190AV	2
3 *	RÉDUCTEUR DE 2 PO X 1 PO AVEC ANNEAU EN O	PG201003AV	1
4 *	RÉDUCTEUR 2 PO X 3/4	PG201002AV	1
5 *	ROBINET DE VIDANGE 3/8	45U948	1
6 *	SOUPAPE DE SÉCURITÉ DE 230 PSI ASME	V-215110AV	1
7 *	MANOMÈTRE 300 PSI 1/4 PO NPT	GA031901AV	1
8 *	BOUCHON DE TUYAU 3/4-14 0	ST072916AV	1
9 *	BOUCHON DE TUYAU 1/2-14 0	ST072921AV	1
10	PISTE TAMISANTE QE	CE010500AV	1
11	CVTH 1/4-20 0,5 LG-ACIER-UNI-GR2	ST070612AV	44
12	RONDELLE-1/4-N-DIA. INT. 0,281 DIA. EXT. 0,625-ZINC CLAIR	ST070910AV	44
13	VIS À EMBASE HEXAGONALE	ST171303AV	12
14	ÉCROU HEXAGONAL 1/2-13 -UNI	ST070732AV	12
15	CVTH 1/2-13 1 LG-ZINC CLAIR-ACIER-GR5	ST070647AV	4
16	RONDELLE-1/2-W-ID 0.562 OD 1.375-ZINC CLAIR	ST070918AV	8
17	SUPPORT EN SANDWICH À AMORTISSEMENT CONTRE LA VIBRATION NÉOPRÈNE	RD000300AV	4
18	PLAQUE D'ÉLÉVATION	CE010400AV	4
19	CVTH 1/2-13 2,5 ZINC ACIER LG CLAIR GR5	ST070648AV	4
20	PLAQUE À EMBASE QE	BA863000AV	1
21	ASSEMBLAGE DE LA POMPE TF	TF061903AV	1
22	CVTH 7/16-14 1,5 ZINC ACIER LG CLAIR GR5	ST070645AV	4
23	RONDELLE-7/16-N-ID 0.469 OD 0.922-ZINC CLAIR	ST070915AV	4
24	RONDELLE-7/16-W-DIA. INT. 0,5 DIA. EXT. 1,25-ZINC CLAIR	ST070916AV	7
25	ÉCROU HEXAGONAL 1/2-13 -ZINC	ST070733AV	4
26	MOTEUR		
	MODÈLES 35WC74, 35WC78	45U933	1
	MODÈLES 35WC75, 35WC79	MC033500SJ	1
	MODÈLES 35WC76, 35WC80	MC025100AV	1
	MODÈLES 35WC77, 35WC81	MC033600SJ	1
27	CVTH 3/8-16 1,25 ZINC ACIER LG-CLAIR-GR2	ST070638AV	4
28	RONDELLE-3/8-W-DIA. INT. 0,438 DIA. EXT. 1-ZINC CLAIR	ST070914AV	4
29	ÉCROU À EMBASE 3/8 PO-16	ST033500AV	4
30	VOLANT EN FONTE DE 40 CM (16 PO)	PU016701AV	1
31	CLAVETTE DU VOLANT	KE001301AV	1
32	RONDELLE	TX034600AV	1
33	RONDELLE -1/2-DIA. INT. 0,509 DIA. EXT. 0,873-ZINC MÉCANIQUE	ST071015AV	1
34	CVTH 1/2-13 1,25 ZINC ACIER LG CLAIR GR5	ST070603AV	1
35	VIS DE PRESSION	--	1
36	POULIE 6.7 1-3/8 SONDE		
	MODÈLES 35WC74, 35WC75, 35WC78, 35WC79	PU008003AV	1
	MODÈLES 35WC76, 35WC77, 35WC80, 35WC81	PU204100AV	1
37	CLAVETTE POUR POULIE	--	1
38	VENTILATEUR DU MOTEUR	RD001700AV	1
39	COURROIE B-70 UNIQUE		
	MODÈLE 35WC74, 35WC78	BT022001AV	1
	MODÈLE 35WC75, 35WC79	BT004322AV	1
	MODÈLE 35WC76, 35WC77, 35WC80, 35WC81	BT008501AV	1
40	DEMIE PARTITION QE	CE009900AV	1

* UNITÉS MONTÉES SUR LE RÉSERVOIR UNIQUEMENT

DÉMARRAGE
DE L'APPAREIL

SÉCURITÉ /
CARACTÉRISTIQUES

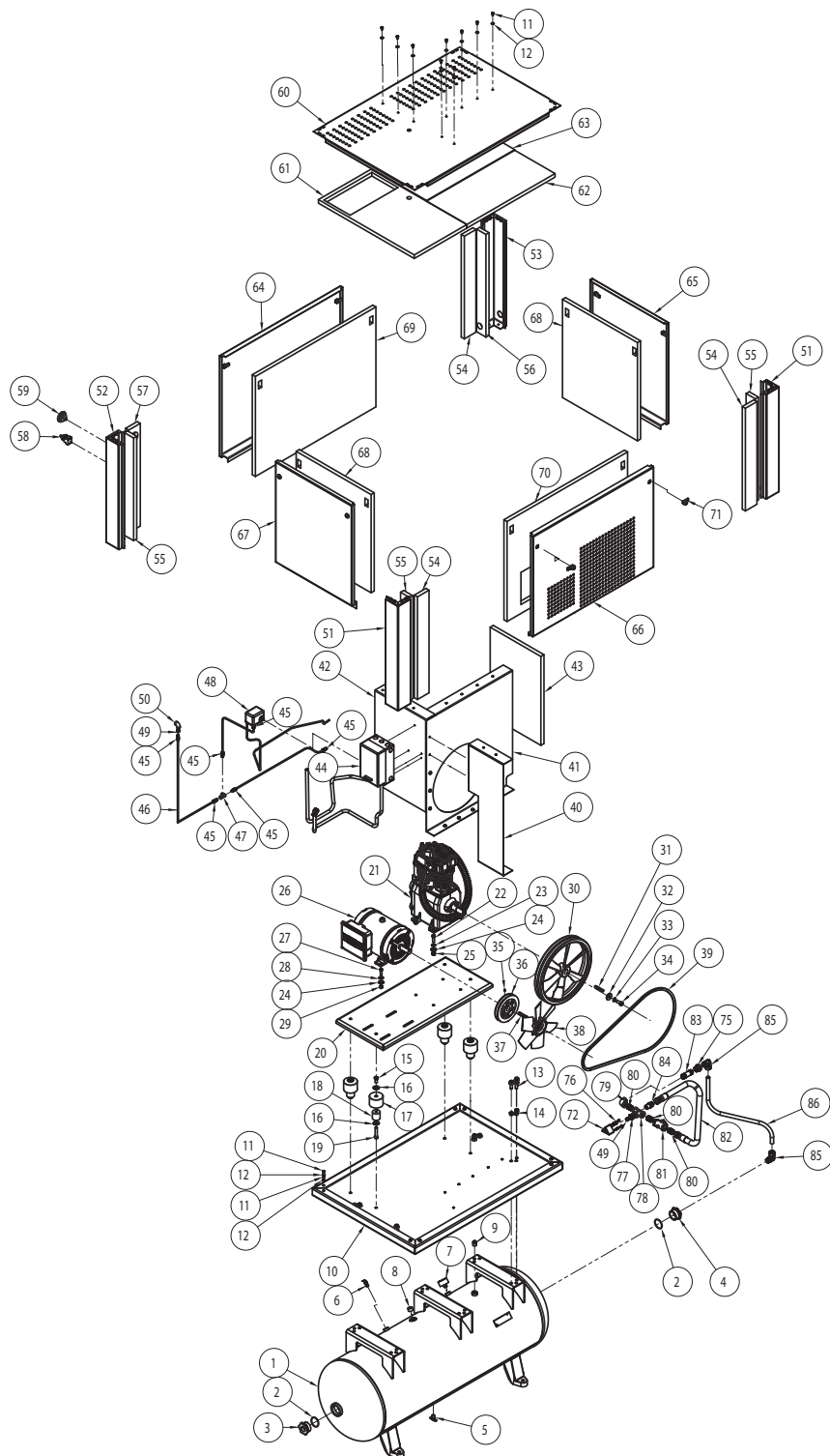
ASSEMBLAGE /
INSTALLATION

UTILISATION

DÉPANNAGE

ENTRETIEN /
RÉPARATION

ILLUSTRATION DES PIÈCES DÉTACHÉES POUR LES MODÈLES 35WC74, 35WC75, 35WC76, 35WC77, 35WC78, 35WC79, 35WC80, 35WC81



Pour commander des pièces détachées, composer le 1-800-Grainger

24 heures par jour – 365 jours par an

Fournir les informations suivantes :

- Numéro de modèle
- Numéro de série (s'il y en a un)
- Description et numéro de pièce comme indiqué sur la liste des pièces

LISTE DES PIÈCES DÉTACHÉES POUR LES MODÈLES 35WC74, 35WC75, 35WC76, 35WC77, 35WC78, 35WC79, 35WC80, 35WC81

N° de réf.	Description	Numéro de pièce :	Qté
41	PARTITION DU VOLANT	CE009600AV	1
42	PLEINE PARTITION QE	CE009800AV	1
43	PLEINE PARTITION INSONORISANTE EN MOUSSE QE	RD000600AV	1
44	DÉMARREURS DE MOTEUR		
	MODÈLES 35WC74, 35WC78	SA002200AJ	1
	MODÈLES 35WC75, 35WC79	SA002300AJ	1
	MODÈLES 35WC76, 35WC80	SA002400AJ	1
	MODÈLES 35WC77, 35WC81	SA002500AJ	1
45	RACCORD DE COMPRESSION AVEC ÉCROU 1/8	ST072003AV	6
46	TUBE DÉCHARGEUR	RD002100AV	1
47	TUYAU TÉ 1/8-27	ST070401AV	1
48	MANOSTAT	33MH71	1
49	RÉDUCTEUR-1/4 À 1/8	ST071437AV	2
50	TUYAU COUDÉ 1/4 NPT90 DEG	ST074228AV	1
51	CHÂSSIS D'ANGLE	CE009300AV	2
52	CHÂSSIS D'ANGLE QE AVEC COMPTEUR HORAIRE	CE009500AV	1
53	CHÂSSIS D'ANGLE QE AVEC ORIFICE D'ÉCHAPPEMENT	CE009400AV	1
54	COIN AVANT INSONORISANT EN MOUSSE QE	RD000400AV	3
55	ANGLE LATÉRAL INSONORISANT EN MOUSSE QE	RD000500AV	3
56	ORIFICE D'ÉCHAPPEMENT ANGLE LATÉRAL INSONORISANT EN MOUSSE QE INTERRUPTEUR DE DÉMARRAGE DE LA JAUGE COIN AVANT INSONORISANT EN MOUSSE QE	RD001000AV	1
57		RD001100AV	1
58	INTERRUPTUER 2 POSITIONS ALLUMÉ (NON)	PE000560AV	1
59	JAUGE DE 300 PSI MONTAGE SUR PANNEAU	RD000100AV	1
60	FEUILLE MÉTALLIQUE QE SUPÉRIEURE	CE008900AV	1
61	MOTEUR LATÉRAL SUPÉRIEUR INSONORISANT EN MOUSSE QE	RD000700AV	1
62	POMPE ARRIÈRE SUPÉRIEURE INSONORISANT EN MOUSSE QE	RD000800AV	1
63	POMPE LATÉRALE SUPÉRIEURE INSONORISANT EN MOUSSE QE	RD000900AV	1
64	PANNEAU AVANT QE	CE009700AV	1
65	POMPE DU PANNEAU LATÉRAL QE	CE009100AV	1
66	PANNEAU ARRIÈRE QE	CE009200AV	1
67	MOTEUR PANNEAU LATÉRAL QE	CE009000AV	1
68	PANNEAU LATÉRAL INSONORISANT EN MOUSSE QE	RD001900AV	2
69	PANNEAU AVANT INSONORISANT EN MOUSSE QE	RD002000AV	1
70	PANNEAU ARRIÈRE INSONORISANT EN MOUSSE QE	RD001800AV	1
71	LOQUET PAR CAME À TÊTE FENDUE 7/8 PO	RD001600AV	8
72	RACCORDS TRIANGULAIRES	RD001200AV	1
73	ÉCROU HEXAGONAL 1/4-20 -ZINC CLAIR	ST070712AV	16
74	ÉCROU À COMPRESSION 1/8	ST072311AV	1
75	ADAPTATEUR DE CLOISON	PS006702AV	1
76	THD PARTIEL VIS À SIX PANS CREUX 1/4-20 PO 2 PO	RD001300AV	3
77	BROSSE REDUX EN LAITON 3/4 X 1/4	ST071439AV	1
78	TÉ 3/4 NPT	ST070421AV	1
79	COUDE 90 DEG X 3/4 NPT	ST074205AV	1
80	MAMELON FERMÉ 3/4-14	ST085314AV	3
81	CLAPET DE NON-RETOUR EN LIGNE HORIZONTALE DE 3/4 PO	RD001500AV	1
82	ASSEMBLAGE DU TUYAU	RD001400AV	1
83	MAMELON EN LAITON 3/4P X 3.0	ST179113AV	1
84	RACCORD DE TUYAU JIC #12 X MNPT DROIT 3/4 PI	ST186405AV	1
85	COUDE 3/4 NPT- COMPRESSION 3/4	ST072228AV	2
86	TUYAU D'ÉVACUATION EN CUIVRE 0,75	CE002800AP	1

GARANTIE LIMITÉE DE TROIS ANS FOURNIE PAR SPEEDAIRE

GARANTIE LIMITÉE DE TROIS ANS FOURNIE PAR SPEEDAIRE. Tous les modèles de produits Speedaire® couverts dans ce manuel sont garantis par W.W. Grainger (« Grainger ») au premier utilisateur contre tout défaut de fabrication ou de matériau, dans des conditions d'utilisation normales durant trois ans à compter de la date d'achat. Si le produit Speedaire fait partie d'un ensemble, seul le composant du produit présentant un défaut est couvert par la présente garantie. Tout produit ou toute pièce présentant un défaut de fabrication ou de matériau et retourné(e) à un centre de service agréé désigné par Grainger ou par un représentant désigné de Grainger, port payé, sera à titre de recours exclusif, réparé(e) ou remplacé(e) par un produit neuf ou une pièce neuve, ou par un produit ou une pièce remis à neuf d'utilité égale, ou fera l'objet d'un remboursement intégral, au choix de Grainger ou d'un représentant désigné de Grainger, sans frais. Voir les procédures de réclamation sous garantie limitée sous la rubrique « Service de garantie » ci-après. La présente garantie est annulée en cas de preuve de mésusage, de réparation défectueuse, d'installation défectueuse, d'utilisation abusive ou de modification. La présente garantie ne couvre pas l'usure normale des produits Speedaire ou des composants de ces produits, ou des produits ou des composants de ces produits qui sont consommables lors d'une utilisation normale. La présente garantie limitée donne aux acheteurs des droits spécifiques et il est également possible de bénéficier d'autres droits qui varient selon les juridictions.

CLAUSES D'EXONÉRATION DE GARANTIE ET LIMITES DE RESPONSABILITÉ CONCERNANT TOUS LES CLIENTS POUR TOUS LES PRODUITS

LIMITES DE RESPONSABILITÉ. DANS LA MESURE PERMISE AU TITRE DE LA LOI APPLICABLE, GRAINGER DÉCLINE EXPRESSÉMENT TOUTE RESPONSABILITÉ POUR TOUT DOMMAGE ACCESSOIRE ET INDIRECT. LA RESPONSABILITÉ DE GRAINGER EST DANS TOUS LES CAS LIMITÉE ET NE SAURAIT DÉPASSER LE PRIX D'ACHAT.

CLAUSE D'EXONÉRATION DE GARANTIE. DE DILIGENTS EFFORTS ONT ÉTÉ FAITS POUR FOURNIR AVEC PRÉCISION LES INFORMATIONS ET ILLUSTRATIONS DES PRODUITS DÉCRITS DANS CETTE BROCHURE; CEPENDANT, DE TELLES INFORMATIONS ET ILLUSTRATIONS SONT POUR LA SEULE RAISON D'IDENTIFICATION, ET N'EXPRIMENT NI N'IMPLIQUENT QUE LES PRODUITS SPEEDAIRE SONT COMMERCIALISABLES, OU ADAPTABLES À UN BESOIN PARTICULIER, NI QUE CES PRODUITS SPEEDAIRE SONT NÉCESSAIREMENT CONFORMES AUX ILLUSTRATIONS OU DESCRIPTIONS FOURNIES. SAUF DISPOSITIONS CONTRAIRES CI-DESSOUS, AUCUNE GARANTIE OU AFFIRMATION DE FAIT, EXPRESSE OU IMPLICITE, AUTRE QUE CELLE ÉNONCÉE À LA RUBRIQUE « GARANTIE LIMITÉE » CI-DESSUS, N'EST FOURNIE OU AUTORISÉE PAR GRAINGER.

CONFORMITÉ DU PRODUIT. DANS DE NOMBREUSES JURIDICTIONS, LES CODES ET LES RÈGLEMENTATIONS QUI RÉGISSENT LES VENTES, LA CONSTRUCTION, L'INSTALLATION ET/OU L'UTILISATION DE PRODUITS POUR CERTAINS USAGES PEUVENT ÊTRE DIFFÉRENTS DE CEUX DE RÉGIONS AVOISINANTES. BIEN QUE GRAINGER SE SOIT EFFORCÉE DE RENDRE SES PRODUITS CONFORMES À CES CODES, LA SOCIÉTÉ NE PEUT EN GARANTIR LA CONFORMITÉ ET NE SAURAIT ÊTRE RESPONSABLE DE LA MANIÈRE DONT LES PRODUITS SONT INSTALLÉS OU UTILISÉS. AVANT D'ACHETER ET D'UTILISER UN PRODUIT, IL EST CONSEILLÉ D'ÉTUDE LES DIRECTIVES DE SÉCURITÉ/CARACTÉRISTIQUES TECHNIQUES AINSI QUE LES CODES ET RÈGLEMENTATIONS NATIONAUX ET LOCAUX APPLICABLES, ET DE S'ASSURER DE LA CONFORMITÉ À CES CODES DE CES PRODUITS SPEEDAIRE, DE LEUR INSTALLATION ET DE LEUR UTILISATION.

CONSUMMATEURS SEULEMENT. CERTAINS ASPECTS DES DÉNIS DE GARANTIE NE SONT PAS APPLICABLES AUX PRODUITS DE CONSOMMATION VENDUS AUX CONSOMMATEURS (A) CERTAINES JURIDICTIONS N'AUTORISENT PAS L'EXCLUSION OU LA LIMITATION DES DOMMAGES ACCESSOIRES OU INDIRECTS, DE SORTE QUE LA LIMITATION OU L'EXCLUSION SUSMENTIONNÉE PEUT NE PAS S'APPLIQUER À VOTRE CAS; (B) EN OUTRE, CERTAINES JURIDICTIONS N'AUTORISENT PAS DE LIMITE SUR LA DURÉE D'UNE GARANTIE IMPLICITE, PAR CONSÉQUENT LA LIMITE SUSMENTIONNÉE PEUT NE PAS S'APPLIQUER À VOTRE CAS; ET (C) EN VERTU DE LA LOI, DURANT LA PÉRIODE DE GARANTIE LIMITÉE, TOUTE GARANTIE IMPLICITE DE QUALITÉ MARCHANDE OU D'ADÉQUATION À UN USAGE PARTICULIER APPLICABLE AUX PRODUITS DE CONSOMMATION ACHETÉS PAR DES CONSOMMATEURS, EST SUSCEPTIBLE DE NE PAS POUVOIR ÊTRE EXCLUE OU AUTREMENT DÉNIÉE.

LA PRÉSENTE GARANTIE LIMITÉE S'APPLIQUE SEULEMENT AUX PRODUITS SPEEDAIRE ACHETÉS PAR DES ACHETEURS AUX ÉTATS-UNIS POUR UNE LIVRAISON À L'INTÉRIEUR DES ÉTATS-UNIS.

SERVICE DE GARANTIE

Pour obtenir le service de garantie si le produit couvert a été acheté directement auprès de W.W. Grainger, Inc. (« Grainger »), (i) écrire, téléphoner à la succursale ou visiter la succursale locale de Grainger auprès de laquelle le produit a été acheté ou une autre succursale de Grainger à proximité (consulter le site www.grainger.com pour obtenir la liste des succursales de Grainger); ou (ii) communiquer avec Grainger en se rendant sur le site www.grainger.com et en cliquant sur le lien « Contact Us » en haut de la page, puis sur le lien « Email us »; ou (iii) appeler le service clientèle (sans frais) en composant le 1-888-361-8649. Pour obtenir le service de garantie si le produit couvert a été acheté auprès d'un autre distributeur ou d'un autre détaillant, (i) se rendre sur le site www.grainger.com pour obtenir le service de garantie; (ii) écrire, téléphoner à une succursale ou visiter une succursale de Grainger à proximité; ou (iii) appeler le service clientèle (sans frais) en composant le 1-888-361-8649. Dans tous les cas, il sera nécessaire de fournir dans la mesure du possible, la date d'achat, le numéro d'origine de la facture, le numéro de stock, une description du défaut et tout autre élément spécifié en vertu de la présente garantie limitée de trois ans de Speedaire. Il sera peut-être exigé de renvoyer le produit moyennant certains frais pour qu'il soit vérifié. Il est possible d'obtenir un suivi quant aux vérifications et aux modifications en cours par les moyens indiqués. Le titre et le risque de perte passe de l'acheteur au transporteur public lors de la livraison, par conséquent si le produit est endommagé pendant son transport, toute réclamation doit être déposée auprès du transporteur, et non pas auprès du détaillant ou Grainger. Pour toute information sur la garantie concernant les acheteurs et/ou une livraison à l'extérieur des États-Unis, veuillez prendre contact avec :

W.W. Grainger, Inc.

**100 Grainger Parkway, Lake Forest, IL 60045 États-Unis
ou composer le +1-888-361-8649**