

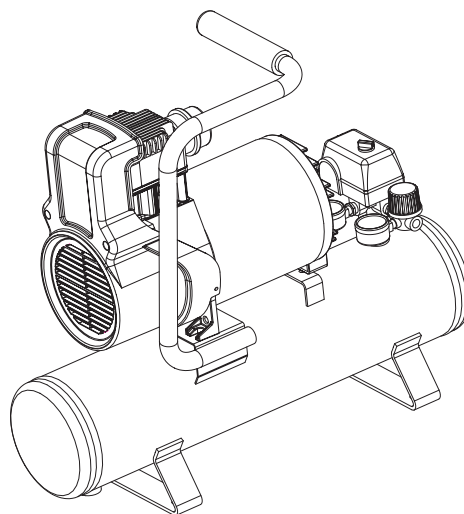
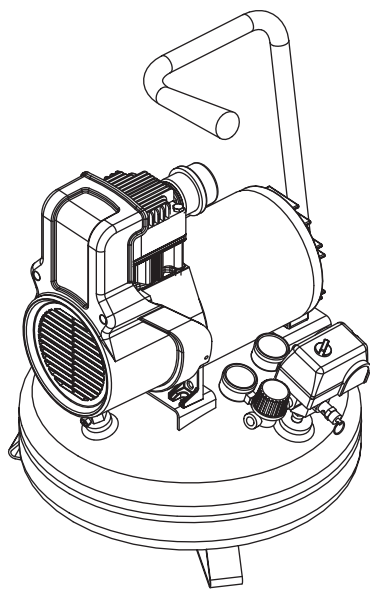
Please read and save these instructions. Read through this owner's manual carefully before using product. Protect yourself and others by observing all safety information, warnings, and cautions. Failure to comply with instructions could result in personal injury and/or damage to product or property. Please retain instructions for future reference.



**For Warranty & Service**  
**1-888-606-5587**  
**For Repair Parts**  
**1-800-323-0620**  
**Do Not Return To Branch**

# Contractor Air Compressors

Refer to Form CAM001 for General Operating and Safety Instructions



## Specifications

| Model  | Peak HP | No. Cyl. | Free Air CFM @ psi    | Tank Size (gal.) | Dimensions (inches)            |                                |                                | Maximum Working Pressure (psi) | Amps |
|--------|---------|----------|-----------------------|------------------|--------------------------------|--------------------------------|--------------------------------|--------------------------------|------|
|        |         |          |                       |                  | L                              | W                              | H                              |                                |      |
| 5F222G | 2       | 1        | 3.1 @ 90<br>2.4 @ 125 | 4                | 16                             | 16                             | 20.5                           | 125                            | 13.5 |
| 5F562G | 2.5     | 1        | 4.3 @ 90<br>3.4 @ 125 | 4                | 19                             | 15.5                           | 17                             | 125                            | 13.5 |
| 5F237H | 1.25    | 1        | 2.0 @ 90<br>1.7 @ 125 | 3                | 28 <sup>1</sup> / <sub>4</sub> | 14 <sup>5</sup> / <sub>8</sub> | 21 <sup>3</sup> / <sub>8</sub> | 125                            | 10.0 |







# Contractor Air Compressors

## Repair Parts List

Please provide following information:

- Model number
- Serial number (if any)
- Part description and number as shown in parts list

Address parts correspondence to:

Grainger Parts  
P.O. Box 3074  
1657 Shermer Road  
Northbrook, IL 60065-3074 U.S.A.

| Ref. No. | Description   | Part Number for Model: 5F222G | Qty. |
|----------|---|-------------------------------|------|
| 1        | Pump/motor  | ◆ WL361504AJ                  | 1    |
| 2        | Tank  | AR046000CG                    | 1    |
| 3        | Foot  | ST158300AV                    | 3    |
| 4        | Mounting bolt 5/16" - 18 x 1/2" Washer head tap screw | ST116400AV                    | 4    |
| 5        | Drain cock  | D-1403                        | 1    |
| 6        | Reducer 1/2 - 1/4 NPT                                 | ST071428AV                    | 1    |
| 7        | Nipple  | HF002401AV                    | 2    |
| 8        | Pressure switch                                       | CW208700AJ                    | 1    |
| 9        | Reducer   | ST071407AV                    | 1    |
| 10       | 1/8" NPT - Gauge                                      | GA016300AV                    | 2    |
| 11       | Regulator   | RE300000AJ                    | 1    |
| 12       | ASME safety valve                                     | V-215100AV                    | 1    |
| 13       | Unloader  | CW210000AV                    | 1    |
| 14       | Strain relief   | CW209600AV                    | 1    |
| 15       | Strain relief screw                                   | ST209800AV                    | 1    |
| 16       | Power cord w/plug                                     | EC012600AV                    | 1    |
| 17       | ▲ Check valve   | CV221507AJ                    | 1    |
| 18       | ▲ Exhaust tube  | WL018500AP                    | 1    |
| 19       | ▲ Compression nut                                     | ST039700AV                    | 1    |
| 20       | ▲ Compression ferrule                                 | ST039800AV                    | 1    |
| 21       | Exhaust fitting                                       | ST072224AV                    | 1    |
| 22       | 5/16" - 18 x 1/2" Washer head tap screw               | ST073275AV                    | 2    |
| 23       | Shroud  | WL012402AV                    | 1    |
| 24       | Shroud screw  | ST129302AV                    | 2    |
| 25       | Side shroud screw                                     | ST129301AV                    | 1    |
| 26       | Handle grip   | ST160000AV                    | 1    |
| 27       | Filter  | WL012000AV                    | 1    |
| 28       | Filter element  | WL012300AV                    | 1    |
| 29       | Flex tube   | ST079702AV                    | 1    |
| ▲        | Exhaust tube kit                                      | WL209306AJ                    | 1    |

(◆) See compressor nameplate for exact model number.

# **WESTWARD**® Contractor Air Compressors

**For Repair Parts, call 1-800-323-0620**

**24 hours a days - 365 days a year**

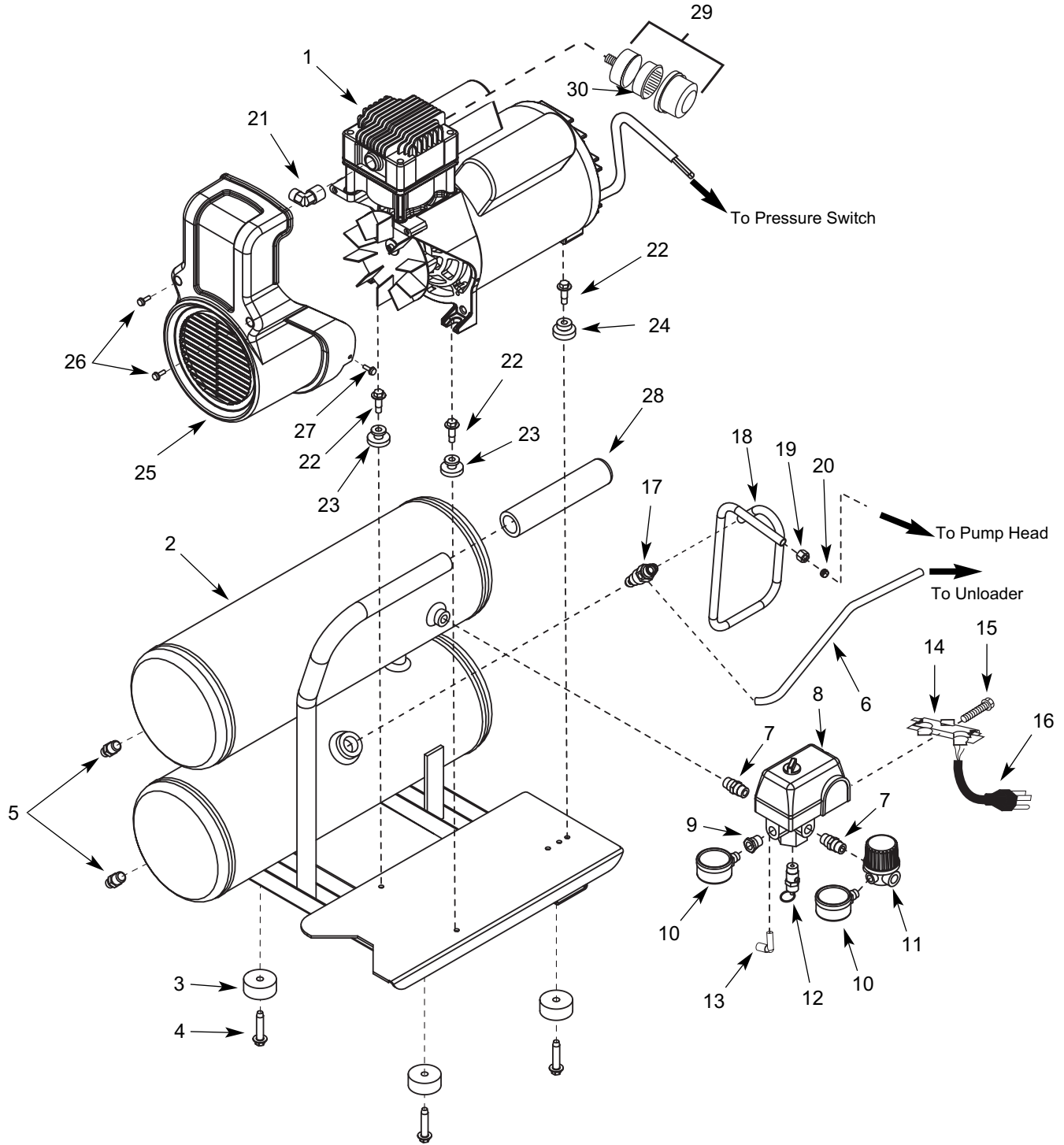


Figure 2 - Repair Parts Illustration



# Contractor Air Compressors

## Repair Parts List

Please provide following information:

- Model number
- Serial number (if any)
- Part description and number as shown in parts list

Address parts correspondence to:

Grainger Parts  
P.O. Box 3074  
1657 Shermer Road  
Northbrook, IL 60065-3074 U.S.A.

| Ref. No. | Description               | Part Number for Models:<br>5F562G | Qty. |
|----------|---------------------------|-----------------------------------|------|
| 1        | Pump/motor assembly       | ◆ WL362002AJ                      | 1    |
| 2        | 4 Gal. twin tank          | AR045800CG                        | 1    |
| 3        | Molded rubber bumper      | ST158300AV                        | 4    |
| 4        | Hex washer head tap screw | ST116400AV                        | 4    |
| 5        | Drain cock                | D-1403                            | 2    |
| 6        | 1/4" Flexible tube        | ST117802AV                        | 1    |
| 7        | Nipple                    | HF002401AV                        | 2    |
| 8        | Pressure switch           | CW208700AJ                        | 1    |
| 9        | Reducer                   | ST071407AV                        | 1    |
| 10       | 1/8" NPT - Gauge          | GA016305AV                        | 2    |
| 11       | Regulator                 | RE300000AJ                        | 1    |
| 12       | 140 psi Safety valve      | V-215100AV                        | 1    |
| 13       | Unloader                  | CW210000AV                        | 1    |
| 14       | Strain relief             | CW209600AV                        | 1    |
| 15       | Strain relief screw       | ST209800AV                        | 1    |
| 16       | Cord                      | EC012600AV                        | 1    |
| 17       | ▲ Check valve             | CV222300AJ                        | 1    |
| 18       | ▲ Exhaust tube            | WL016200AP                        | 1    |
| 19       | ▲ Nut                     | ST039700AV                        | 1    |
| 20       | ▲ Ferrule                 | ST039800AV                        | 1    |
| 21       | Exhaust fitting           | ST072224AV                        | 1    |
| 22       | Shoulder bolt             | ST158000AV                        | 3    |
| 23       | Rubber bushing            | WL003203AV                        | 2    |
| 24       | Rubber bushing            | WL003202AV                        | 1    |
| 25       | Shroud                    | WL012401AV                        | 1    |
| 26       | Shroud screw              | ST129302AV                        | 2    |
| 27       | Side shroud screw         | ST129301AV                        | 1    |
| 28       | Hand grip                 | ST160000AV                        | 1    |
| 29       | Filter                    | WL012000AV                        | 1    |
| 30       | Filter element            | WL012300AV                        | 1    |
| ▲        | Exhaust tube kit          | WL209307AJ                        | 1    |

(◆) See compressor nameplate for exact model number.

# **WESTWARD**® Contractor Air Compressors

**For Repair Parts, call 1-800-323-0620**

**24 hours a days - 365 days a year**

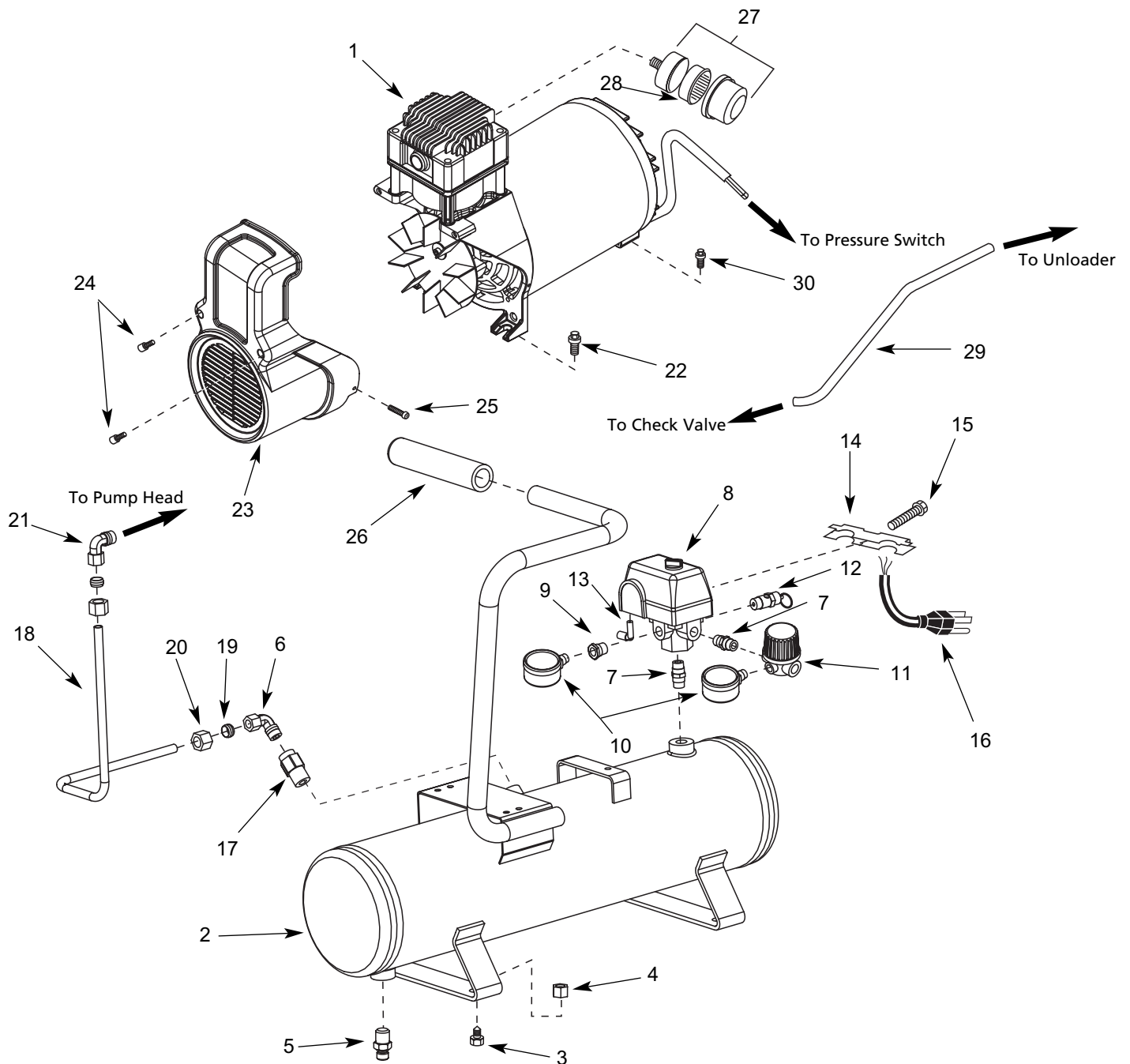


Figure 3 - Repair Parts Illustration



# Contractor Air Compressors

## Repair Parts List

Please provide following information:

- Model number
- Serial number (if any)
- Part description and number as shown in parts list

Address parts correspondence to:

Grainger Parts  
P.O. Box 3074  
1657 Shermer Road  
Northbrook, IL 60065-3074 U.S.A.

| Reference Number | Description           | Part Number<br>5F237H | Qty. |
|------------------|-----------------------|-----------------------|------|
| 1                | Pump/motor            | ◆ WL361002AJ          | 1    |
| 2                | Tank                  | AR047300CG            | 1    |
| 3                | Foot                  | ST162600AV            | 4    |
| 4                | Lock nut              | ST146000AV            | 4    |
| 5                | Drain cock            | D-1403                | 1    |
| 6                | Elbow                 | ST072226AV            | 1    |
| 7                | 1/4" - 18 NPT nipple  | HF002401AV            | 2    |
| 8                | Pressure switch       | CW208700AJ            | 1    |
| 9                | Reducer               | ST071407AV            | 1    |
| 10               | Gauge                 | GA016305AV            | 2    |
| 11               | Regulator             | RE300000AJ            | 1    |
| 12               | Safety valve          | V-215100AV            | 1    |
| 13               | Valve unloader        | CW210000AV            | 1    |
| 14               | Strain relief         | CW209600AV            | 1    |
| 15               | Strain relief screw   | ST209800AV            | 1    |
| 16               | Power cord and plug   | EC012600AV            | 1    |
| 17               | Check valve           | CV222500AJ            | 1    |
| 18               | ▲ Exhaust tube        | WL018600AP            | 1    |
| 19               | ▲ Compression ferrule | ST039800AV            | 2    |
| 20               | ▲ Compression nut     | ST039700AV            | 2    |
| 21               | Exhaust fitting       | ST072224AV            | 1    |
| 22               | Mounting bolt         | ST073275AV            | 2    |
| 23               | Shroud                | WL012402AV            | 1    |
| 24               | Shroud screw          | ST129302AV            | 2    |
| 25               | Side shroud screw     | ST129301AV            | 1    |
| 26               | Handle grip           | ST160000AV            | 1    |
| 27               | Filter                | WL012000AV            | 1    |
| 28               | Filter element        | WL012300AV            | 1    |
| 29               | Unloader tube         | ST079711AV            | 1    |
| 30               | Mounting bolt         | ST116400AV            | 1    |
| ▲                | Exhaust tube kit      | WL209304AJ            | 1    |

(◆) When ordering pump/motor repair parts, see motor nameplate for exact model number.



# Contractor Air Compressors

## LIMITED WARRANTY

**WESTWARD ONE-YEAR LIMITED WARRANTY.** Westward Air Compressors, Models covered in this manual, are warranted by Westward to the original user against defects in workmanship or materials under normal use for one year after date of purchase. Any part which is determined to be defective in material or workmanship and returned to an authorized service location, as Westward designates, shipping costs prepaid, will be, as the exclusive remedy, repaired or replaced at Westward's option. For limited warranty claim procedures, see PROMPT DISPOSITION below. This limited warranty gives purchasers specific legal rights which vary from jurisdiction to jurisdiction.

**LIMITATION OF LIABILITY.** To the extent allowable under applicable law, Westward's liability for consequential and incidental damages is expressly disclaimed. Westward's liability in all events is limited to and shall not exceed the purchase price paid.

**WARRANTY DISCLAIMER.** Westward has made a diligent effort to provide product information and illustrate the products in this literature accurately; however, such information illustrations and descriptions are for the sole purpose of identification, and do not express or imply a warranty that the products are MERCHANTABLE, or FIT FOR A PARTICULAR PURPOSE, or that the products will necessarily conform to the illustrations or descriptions. Except as provided below, no warranty or affirmation of fact, expressed or implied, other than as stated in the "LIMITED WARRANTY" above is made or authorized by Westward.

**PRODUCT SUITABILITY.** Many jurisdictions have codes and regulations governing sales, construction, installation, and/or use of products for certain purposes, which may vary from those in neighboring areas. While Grainger International attempts to assure that its products comply with such codes, it cannot guarantee compliance, and cannot be responsible for how the product is installed or used. Before purchase and use of a product, review the product applications, and all applicable national and local codes and regulations, and be sure that the product, installation, and use will comply with them.

Certain aspects of disclaimers are not applicable to consumer products; e.g., (a) some jurisdictions do not allow the exclusion or limitation of incidental or consequential damages, so the above limitation or exclusion may not apply to you; (b) also, some jurisdictions do not allow a limitation on how long an implied warranty lasts, consequentially the above limitation may not apply to you; and (c) by law, during the period of this Limited Warranty, any implied warranties of implied merchantability or fitness for a particular purpose applicable to consumer products purchased by consumers, may not be excluded or otherwise disclaimed.

**PROMPT DISPOSITION.** Westward will make a good faith effort for prompt correction or other adjustment with respect to any product which proves to be defective within limited warranty. For any product believed to be defective within limited warranty, first write or call dealer from whom the product was purchased. Dealer will give additional directions. If unable to resolve satisfactorily, write to Grainger International at address below, giving dealer's name, address, date, and number of dealer's invoice, and describing the nature of the defect. Title and risk of loss pass to buyer on delivery to common carrier. If product was damaged in transit to you, file claim with carrier.

**Manufactured for Grainger International, Inc., 100 Grainger Parkway, Lake Forest, Illinois 60045 U.S.A.**





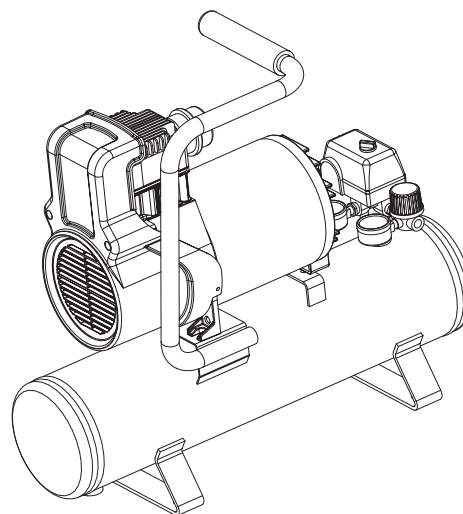
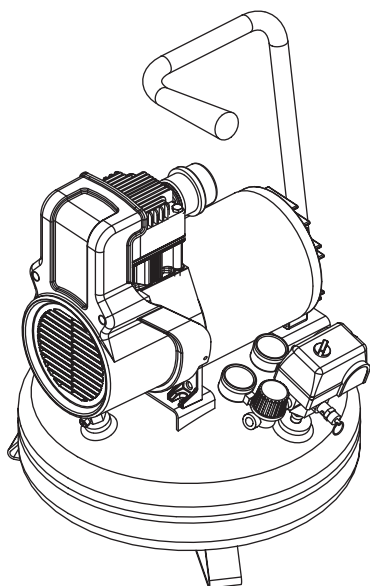
Sírvase leer y guardar estas instrucciones. Lea con cuidado antes de tratar de armar, instalar, manejar o darle servicio al producto descrito en este manual. Protéjase Ud. y a los demás observando todas las reglas de seguridad. El no seguir las instrucciones podría resultar en heridas y/o daños a su propiedad. Guarde este manual como referencia.

# WESTWARD®

**Por garantía y servicio**  
**1-888-606-5587**  
**Por piezas para reparaciones**  
**1-800-323-0620**  
**No devolver a la sucursal**

## Compresores de Aire para Contratistas

Veá las Instrucciones Generales de Funcionamiento y Seguridad en el Manual CAM001



### Especificaciones

| Modelo | CP máx. | No. de Cil. | m³/min @ bar               | Cap. del Tanque | Dimensiones (cm) |       |       | Presión Operativa Máxima | Amperios |
|--------|---------|-------------|----------------------------|-----------------|------------------|-------|-------|--------------------------|----------|
|        |         |             |                            |                 | Long.            | Ancho | Alt.  |                          |          |
| 5F222G | 2       | 1           | 0,09 @ 6,21<br>0,07 @ 8,62 | 15,1L           | 40,64            | 40,64 | 52,07 | 8,62 bar                 | 13,5     |
| 5F562G | 2.5     | 1           | 0,12 @ 6,21<br>0,10 @ 8,62 | 15,1L           | 48,26            | 39,37 | 43,18 | 8,62 bar                 | 13,5     |
| 5F237H | 1.25    | 1           | ,06 @ 6,2<br>,05 @ 8,62    | 11,4L           | 71,76            | 37,15 | 54,29 | 8,62 bar                 | 10,0     |

# **WESTWARD**® Compresores de Aire para Contratistas

**Para Partes de Reparación en México Llame al Teléfono 001-800-527-2331  
en EUA Llame al Teléfono 1-800-323-0620**

**Las 24 horas - 365 días del año**

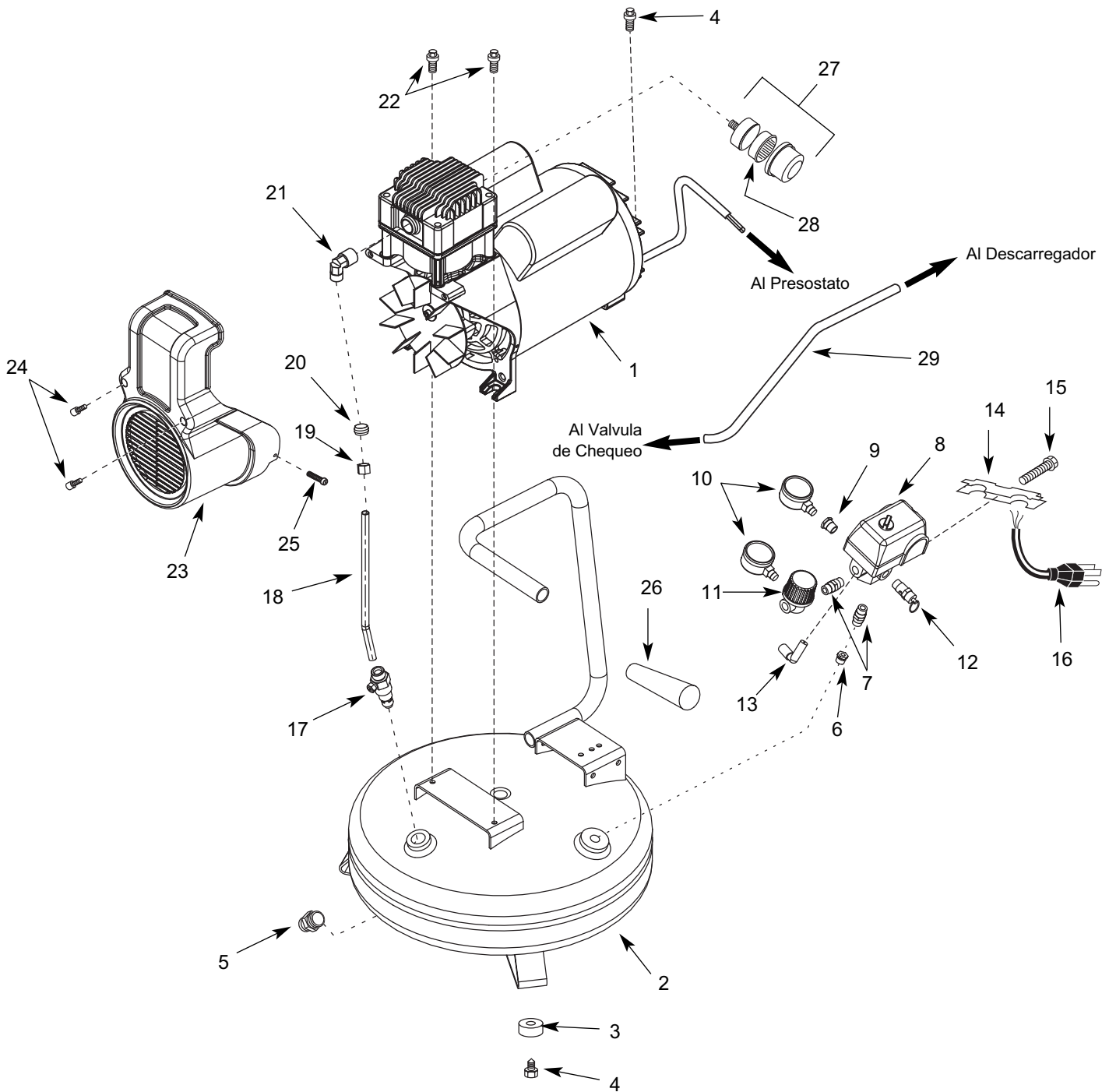


Figura 1 - Ilustración de las partes de reparación



# Compresores de Aire para Contratistas

## Lista de Partes de Reparación

Sírvase suministrar la siguiente información:

- Número del modelo
- Número de Serie (de haberlo)
- Descripción y número del repuesto según la lista de repuestos

Puede escribirnos a:

Grainger Parts  
P.O. Box 3074  
1657 Shermer Road  
Northbrook, IL 60065-3074 U.S.A.

| No. de Ref. | Descripción   | Repuestos para le Modelo: 5F222G | Ctd. |
|-------------|---|----------------------------------|------|
| 1           | Cabezal/motor   | ◆ WL361504AJ                     | 1    |
| 2           | Tanque  | AR046000CG                       | 1    |
| 3           | Pata  | ST158300AV                       | 3    |
| 4           | Perno de montaje de 7,9 mm (5/16") -Tornillo 18 x 12,7 mm 1/2" con arandela | ST116400AV                       | 4    |
| 5           | Llave de drenaje  | D-1403                           | 1    |
| 6           | Reductor de 1/2 - 1/4 NPT   | ST071428AV                       | 1    |
| 7           | Niple   | HF002401AV                       | 2    |
| 8           | Presostato  | CW208700AJ                       | 1    |
| 9           | Reductor  | ST071407AV                       | 1    |
| 10          | Manómetro de 3,2 mm (1/8")  | GA016300AV                       | 2    |
| 11          | Regulador   | RE300000AJ                       | 1    |
| 12          | Válvula de seguridad ASME   | V-215100AV                       | 1    |
| 13          | Descarregador   | CW210000AV                       | 1    |
| 14          | Relevo de tensión   | CW209600AV                       | 1    |
| 15          | Tornillo de alivio de tensión   | ST209800AV                       | 1    |
| 16          | Cordón eléctrico con enchufe  | EC012600AV                       | 1    |
| 17          | ▲ Válvula de chequeo  | CV221507AJ                       | 1    |
| 18          | ▲ Tubo de escape  | WL018500AP                       | 1    |
| 19          | ▲ Tuerca de compresión  | ST039700AV                       | 2    |
| 20          | ▲ Férula de compresión  | ST039800AV                       | 1    |
| 21          | Accesorio de escape   | ST072224AV                       | 1    |
| 22          | Tornillo con arandela de 7,9 mm (5/16") - 18 x 12,7 mm (1/2")               | ST073275AV                       | 2    |
| 23          | Cubierta  | WL012402AV                       | 1    |
| 24          | Tornillo de cubierta  | ST129302AV                       | 2    |
| 25          | Tornillo de cubierta lateral  | ST129301AV                       | 1    |
| 26          | Asa   | ST160000AV                       | 1    |
| 27          | Filtro  | WL012000AV                       | 1    |
| 28          | Elemento del filtro   | WL012300AV                       | 1    |
| 29          | Tubo flexible   | ST079702AV                       | 1    |
| ▲           | Kit de tubo de escape   | WL209306AJ                       | 1    |

(◆) Vea el número exacto del modelo en la placa del compresor.



# **WESTWARD®** Compresores de Aire para Contratistas

**Para Partes de Reparación en México Llame al Teléfono 001-800-527-2331  
en EUA Llame al Teléfono 1-800-323-0620**

**Las 24 horas - 365 días del año**

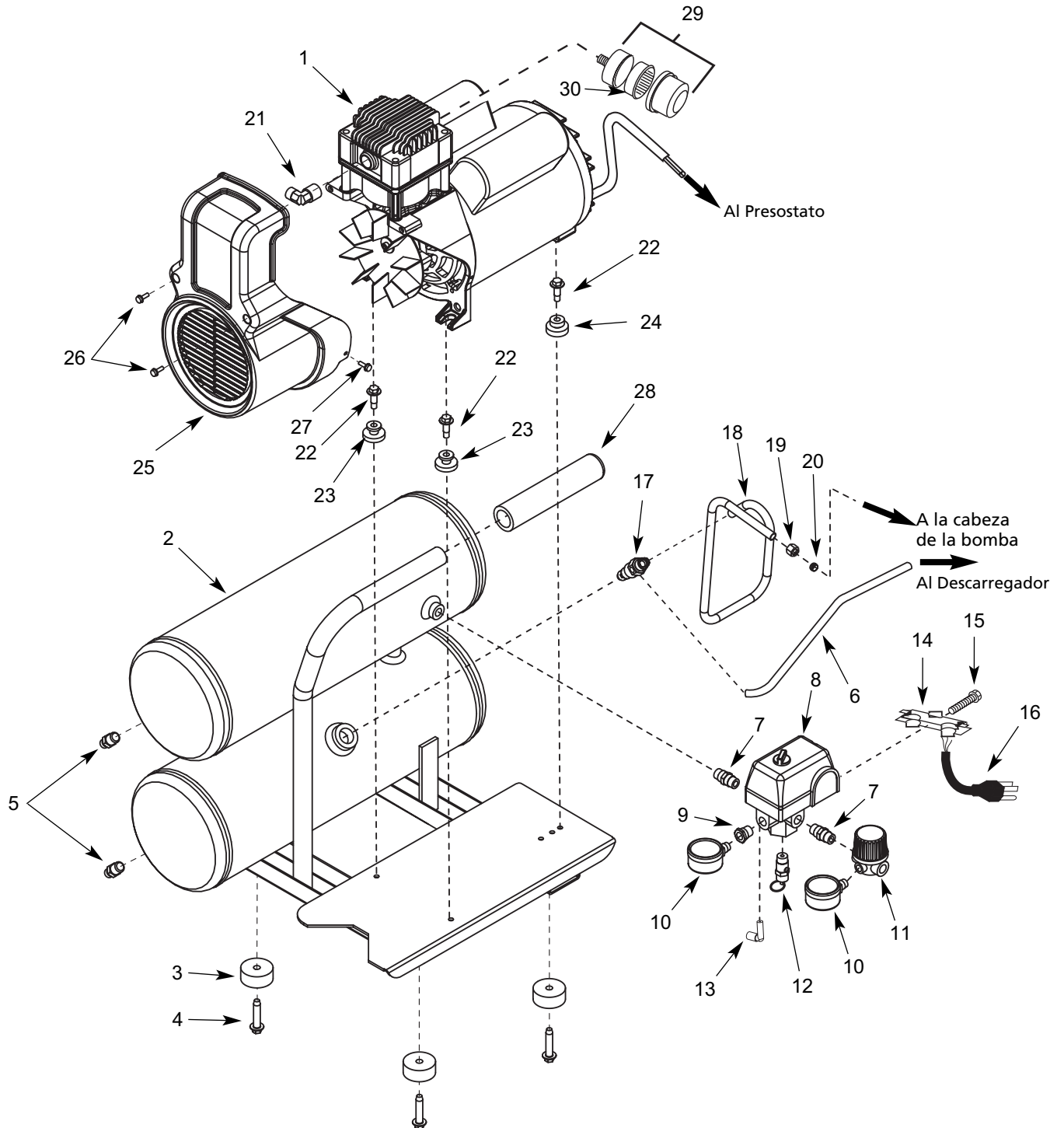


Figura 2 - Ilustración de las partes de reparación



# Compresores de Aire para Contratistas

## Lista de Partes de Reparación

Sírvase suministrar la siguiente información:

- Número del modelo
- Número de Serie (de haberlo)
- Descripción y número del repuesto según la lista de repuestos

Puede escribirnos a:

Grainger Parts  
P.O. Box 3074  
1657 Shermer Road  
Northbrook, IL 60065-3074 U.S.A.

| Número de Referencia | Descripción                      | Repuestos para los Modelo:<br>5F562G | Ctd. |
|----------------------|----------------------------------|--------------------------------------|------|
| 1                    | Ensamblaje de cabezal/motor      | ◆ WL362002AJ                         | 1    |
| 2                    | Tanque gemelo de 15,1 L          | AR045800CG                           | 1    |
| 3                    | Defensa de goma moldeada         | ST158300AV                           | 4    |
| 4                    | Tornillo hex con arandela        | ST116400AV                           | 4    |
| 5                    | Llave de drenaje                 | D-1403                               | 2    |
| 6                    | Tubo flexible de 6,4 mm (1/4")   | ST117802AV                           | 1    |
| 7                    | Niple                            | HF002401AV                           | 2    |
| 8                    | Presostato                       | CW208700AJ                           | 1    |
| 9                    | Reductor                         | ST071407AV                           | 1    |
| 10                   | Manómetro de 3,2 mm (1/8"), NPT  | GA016305AV                           | 2    |
| 11                   | Regulador                        | RE300000AJ                           | 1    |
| 12                   | Válvula de seguridad de 9,7 bar  | V-21500AV                            | 1    |
| 13                   | Descarregador                    | CW210000AV                           | 1    |
| 14                   | Relevo de tensión                | CW209600AV                           | 1    |
| 15                   | Tornillo de la relevo de tensión | ST209800AV                           | 1    |
| 16                   | Cordón                           | EC012600AV                           | 1    |
| 17                   | ▲ Válvula de chequeo             | CV222300AJ                           | 1    |
| 18                   | ▲ Tubo de salida                 | WL016200AP                           | 1    |
| 19                   | ▲ Tuerca                         | ST09700AV                            | 1    |
| 20                   | ▲ Manga                          | ST039800AV                           | 1    |
| 21                   | Conexión del orificio de salida  | ST072224AV                           | 1    |
| 22                   | Perno del hombro                 | ST158000AV                           | 3    |
| 23                   | Buje de goma                     | WL003203AV                           | 2    |
| 24                   | Buje de goma                     | WL003202AV                           | 1    |
| 25                   | Tapa                             | WL012401AV                           | 1    |
| 26                   | Tornillo de la tapa              | ST129302AV                           | 2    |
| 27                   | Tornillo de cubierta lateral     | ST129301AV                           | 1    |
| 28                   | Asa                              | ST160000AV                           | 1    |
| 29                   | Filtro                           | WL012000AV                           | 1    |
| 30                   | Elemento del filtro              | WL012300AV                           | 1    |
| ▲                    | Juego de tubo de salida          | WL209307AJ                           | 1    |

(◆) Vea el número exacto del modelo en la placa del compresor.

# **WESTWARD**® Compresores de Aire para Contratistas

**Para Partes de Reparación en México Llame al Teléfono 001-800-527-2331  
en EUA Llame al Teléfono 1-800-323-0620**

**Las 24 horas - 365 días del año**

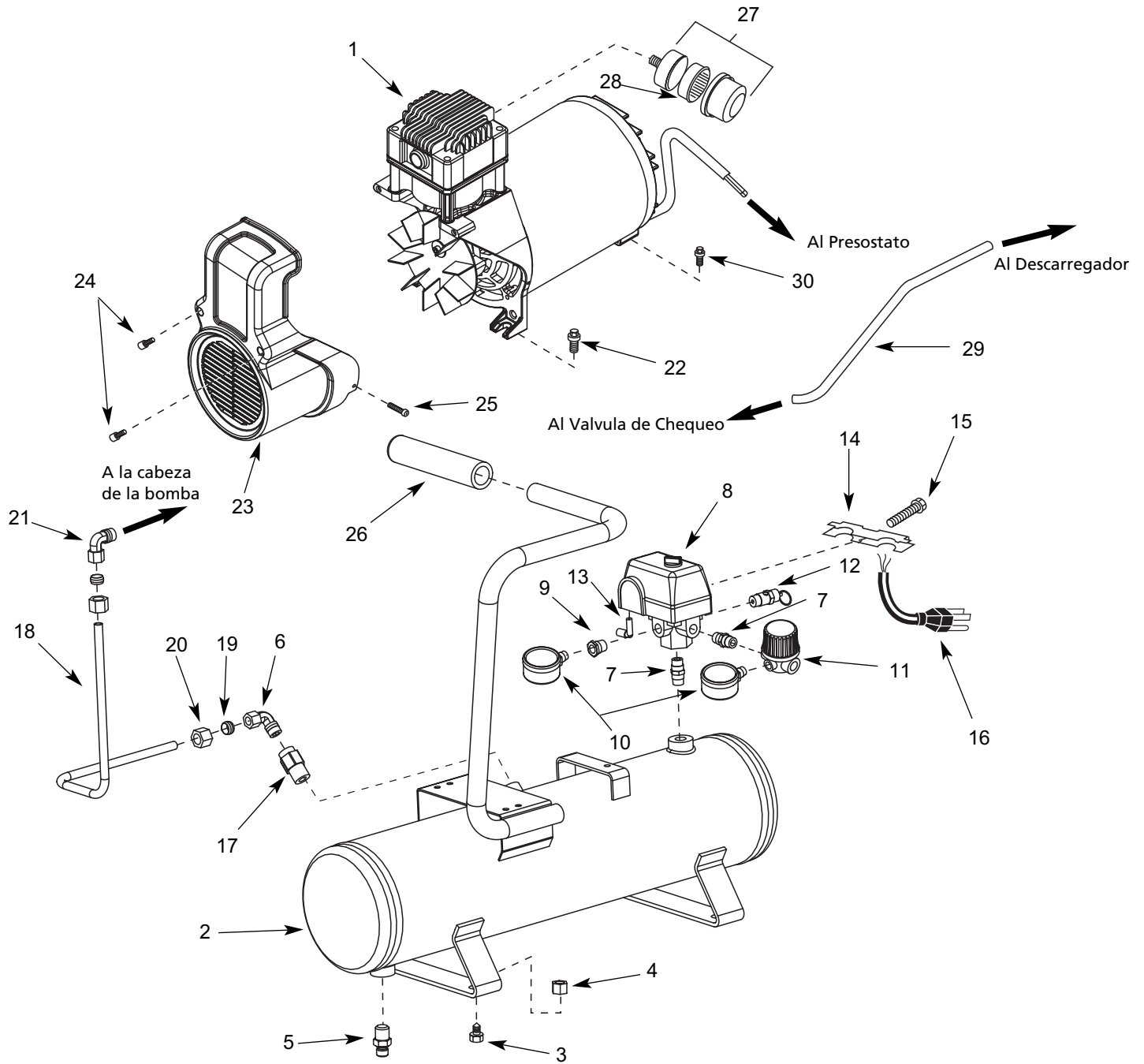


Figura 3 - Ilustración de las Partes de Reparación



# Compresores de Aire para Contratistas

## Lista de Partes de Reparación

Sírvase suministrar la siguiente información:

- Número del modelo
- Número de Serie (de haberlo)
- Descripción y número del repuesto según la lista de partes de reparación

Puede escribirnos a:

Grainger Parts  
P.O. Box 3074  
1657 Shermer Road  
Northbrook, IL 60065-3074 U.S.A.

| Número de Referencia | Descripción                         | Número del Repuesto 5F237H | Ctd. |
|----------------------|-------------------------------------|----------------------------|------|
| 1                    | Cabezal/motor                       | ◆ WL361002AJ               | 1    |
| 2                    | Tanque                              | AR047300CG                 | 1    |
| 3                    | Pata                                | ST162600AV                 | 4    |
| 4                    | Tuerca de seguridad                 | ST146000AV                 | 4    |
| 5                    | Llave de drenaje                    | D-1403                     | 1    |
| 6                    | Codo                                | ST072226AV                 | 1    |
| 7                    | Niple de 6,4 mm (1/4") - 18 NPT     | HF002401AV                 | 2    |
| 8                    | Presostato                          | CW208700AJ                 | 1    |
| 9                    | Reductor                            | ST071407AV                 | 1    |
| 10                   | Manómetro                           | GA016305AV                 | 2    |
| 11                   | Regulador                           | RE300000AJ                 | 1    |
| 12                   | Válvula de seguridad                | V-215100AV                 | 1    |
| 13                   | Descargador de la válvula           | CW210000AV                 | 1    |
| 14                   | Relieve de tensión                  | CW209600AV                 | 1    |
| 15                   | Tornillo para el relieve de tensión | ST209800AV                 | 1    |
| 16                   | Cordón eléctrico y enchufe          | EC012600AV                 | 1    |
| 17                   | Válvula de chequeo                  | CV222500AJ                 | 1    |
| 18                   | ▲ Tubo de escape                    | WL018600AP                 | 1    |
| 19                   | ▲ Manga de compresión               | ST039800AV                 | 2    |
| 20                   | ▲ Tuerca de compresión              | ST039700AV                 | 2    |
| 21                   | Conexión del orificio de salida     | ST072224AV                 | 1    |
| 22                   | Perno de montaje                    | ST073275AV                 | 2    |
| 23                   | Cubierta                            | WL012402AV                 | 1    |
| 24                   | Tornillo de la cubierta             | ST129302AV                 | 2    |
| 25                   | Tornillo de cubierta lateral        | ST129301AV                 | 1    |
| 26                   | Asa                                 | ST160000AV                 | 1    |
| 27                   | Filtro                              | WL012000AV                 | 1    |
| 28                   | Elemento del filtro                 | WL012300AV                 | 1    |
| 29                   | Tubo del descargador                | ST079711AV                 | 1    |
| 30                   | Perno                               | ST116400AV                 | 1    |
| ▲                    | Kit de tubo de escape               | WL209304AJ                 | 1    |

(◆) Vea el número exacto del modelo en la placa del compresor.



# Compresores de Aire para Contratistas

## **GARANTÍA LIMITADA**

**GARANTÍA LIMITADA DE 1 AÑO DE WESTWARD.** Los compresores de aire para contratistas Westward, descritas en este manual están garantizadas por la Westward para el comprador original contra defectos de material y fabricación bajo uso por un año a partir de la fecha de compra. Cualquier pieza que se encuentre defectuosa en material o fabricación y devuelta a un centro autorizado de servicio de la Westward, indicado por la compañía Westward, con los gastos de envío pagados, será reemplazada o reparada, según lo que Westward decida. Los procedimientos para resolver los casos de RECLAMOS DE GARANTIAS se explican abajo. Esta garantía limitada le otorga derechos legales específicos que pueden variar de una jurisdicción a otra.

**LIMITE DE RESPONSABILIDAD.** Las responsabilidades civiles de la Westward debido a daños o accidentes están limitadas a lo impuesto por la ley y en ningún caso será mayor al precio pagado por la unidad.

**RENUNCIA A LA GARANTÍA.** Westward se ha esforzado en describir e ilustrar sus productos con exactitud en este manual; sin embargo, estas descripciones e ilustraciones se hacen con el sólo propósito de describir los productos y la compañía no garantiza que los productos aquí descritos, SATISFACEN LAS MISMAS, o que estén DISEÑADOS PARA CIERTOS USOS, aunque los mismos hayan sido descritos e ilustrados en este manual. Excepto por las provisiones dadas en esta garantía como parte de la "GARANTIA LIMITADA", Westward no reconocerá o autorizará ninguna otra garantía ni escrita ni implícita.

**USO ADECUADO DEL PRODUCTO.** Muchas jurisdicciones y localidades tienen códigos y regulaciones para las ventas, fabricación, instalación y/o uso de productos con ciertos fines, que pueden variar en áreas circunvecinas. La Westward trata de hacer que sus productos satisfagan dichos códigos. Sin embargo, el cumplimiento de los mismos no se puede garantizar y la compañía no se hace responsable por la forma de instalación o uso del producto. Antes de la compra o uso del producto, revise las aplicaciones del producto, todos los códigos y regulaciones nacionales y locales aplicables y cerciórese de que el producto, instalación y uso cumplirán con los mismos.

Ciertos aspectos de la renuncia a garantías no se aplican a productos para el consumidor; por ejemplo, (a) ciertos estados no permiten la exclusión o limitación de las consecuencias por daños, por lo tanto éstas no se le podrían aplicar a Ud.; (b) igualmente, ciertos estados no permiten límites en la duración de las garantías y por lo tanto, éstas no se le podrían aplicar a Ud. y (c) según la ley, las garantías escritas o implícitas en relación al buen estado o posible usos de los productos para el uso del consumidor no podrán excluirse o renunciarse de ninguna manera.

**SOLUCIÓN SIN NEGLIGENCIA.** La Westward se compromete a resolver los casos de los productos bajo garantía lo más pronto posible. Si piensa que su producto tiene algún defecto cubierto bajo esta garantía, diríjase por escrito o por teléfono al distribuidor autorizado donde lo compró. Este le indicará los pasos a seguir. Si no logra resolver el problema satisfactoriamente, diríjase directamente por escrito a la Westward a la dirección abajo indicada, sírvase darnos la siguiente información: nombre del distribuidor, dirección del mismo, fecha de la compra, número de la factura, y describa el defecto. El título de propiedad y responsabilidad por pérdidas pasa a manos del distribuidor en el momento que el producto se despacha de la fábrica. Si el daño ocurrió durante el transporte, deberá presentarle el reclamo a la compañía de transporte.

**Fabricado para la Grainger International Inc., 100 Grainger Parkway, Lake Forest, Illinois 60045 EUA.**