

Please read and save these instructions. Read carefully before attempting to assemble, install, operate or maintain the product described. Protect yourself and others by observing all safety information. Failure to comply with instructions could result in personal injury and/or property damage! Retain instructions for future reference.



Replacement Compressor Pumps

Table of Contents

- Description1
- Unpacking1
- Safety Guidelines1
- General Safety Information2
- Assembly2
- Maintenance3
- Troubleshooting Chart5
- Warranty6

Description

Single stage, oil lubricated air compressor pumps are intended for use as replacements on air compressor units, and for use as components in specially designed air compressor systems. For replacement use, the compressor pump must match the vibration characteristics of the original pump. The compressed air from these pumps is intended to be used with air tools and spray guns. Atmospheric moisture and trace oil from compressors may require additional treatment for some application. All models are equipped with solid cast-iron cylinders and crankcase, an aluminum head and stainless steel valves.

▲ DANGER

Breathable Air Warning

This compressor/pump is NOT equipped and should NOT be used "as is" to supply breathing quality air. For any application of air for human consumption, you must fit the air compressor/pump with suitable in-line safety and alarm equipment. This additional equipment is necessary to properly filter and purify the air to meet minimal specifications for Grade D breathing as described in Compressed Gas Association Commodity Specification G 7.1 - 1966, OSHA 29 CFR 1910. 134, and/or Canadian Standards Associations (CSA).

DISCLAIMER OF WARRANTIES

In the event the compressor is used for the purpose of breathing air application and proper in-line safety and alarm equipment is not simultaneously used, existing warranties are void, and Campbell Hausfeld disclaims any liability whatsoever for any loss, personal injury or damage.

Unpacking

After unpacking the unit, inspect carefully for any damage that may have occurred during transit. Make sure to tighten fittings, bolts, etc., before putting unit into service.

▲ WARNING

Do not operate unit if damaged during shipping, handling or use. Damage may result in bursting and cause injury or property damage.

READ & FOLLOW ALL INSTRUCTIONS

**SAVE THESE INSTRUCTIONS
DO NOT DISCARD**

Safety Guidelines

This manual contains information that is very important to know and understand. This information is provided for SAFETY and to PREVENT EQUIPMENT PROBLEMS. To help recognize this information, observe the following symbols.

▲ DANGER

Danger indicates an imminently hazardous situation which, if not avoided, WILL result in death or serious injury.

▲ WARNING

Warning indicates a potentially hazardous situation which, if not avoided, COULD result in death or serious injury.

▲ CAUTION

Caution indicates a potentially hazardous situation which, if not avoided, MAY result in minor or moderate injury.

NOTICE

Notice indicates important information, that if not followed, may cause damage to equipment.

NOTE: Information that requires special attention.

**REMINDER: Keep your dated proof of purchase for warranty purposes!
Attach it to this manual or file it for safekeeping.**


General Safety Information

CALIFORNIA PROPOSITION 65

⚠ WARNING *This product or its power cord may contain chemicals known to the State of California to cause cancer and birth defects or other reproductive harm. Wash hands after handling.*

GENERAL SAFETY

Since the air compressor and other components (pump, spray guns, filters, lubricators, hoses, etc.) used make up a high pressure pumping system, the following safety precautions must be observed at all times:

1. Read all manuals included with this product carefully. Be thoroughly familiar with the controls and the proper use of the equipment. 
2. Follow all local safety codes and, in the United States, the Occupational Safety and Health Act (OSHA).
3. Only persons well acquainted with these rules of safe operation should be allowed to use the compressor.
4. Keep visitors away and NEVER allow children in the work area.
5. Wear safety glasses and use hearing protection when operating the pump or unit.
6. Do not stand on or use the pump or unit as a handhold.
7. Before each use, inspect compressed air system, fuel system and electrical components for signs of damage, deterioration, weakness or leakage. Repair or replace defective items before using.
8. Check all fasteners at frequent intervals for proper tightness.

⚠ WARNING

Motors, electrical equipment and controls can cause electrical arcs that will ignite a flammable gas or vapor. Never operate or repair in or near a flammable gas or vapor. Never store flammable liquids or gases in the vicinity of the compressor.



⚠ WARNING

Never operate compressor without a beltguard. Compressors can start automatically without warning. Personal injury or property damage could occur from contact with moving parts.



⚠ CAUTION

Compressor parts may be hot even if the unit is stopped.



9. Do not wear loose clothing or jewelry that will get caught in the moving parts of the unit.
10. Keep fingers away from a running compressor; fast moving and hot parts will cause injury and/or burns.
11. If the equipment should start to vibrate abnormally, STOP the engine/motor and check immediately for the cause. Vibration is generally a warning of trouble.
12. To reduce fire hazard, keep engine/motor exterior free of oil, solvent, or excessive grease.

⚠ WARNING

Never remove or attempt to adjust safety valve. Keep safety valve free from paint and other accumulations.

⚠ DANGER

Never attempt to repair or modify a tank! Welding, drilling or any other modification will weaken the tank resulting in damage from rupture or explosion. Always replace worn or damaged tanks.



13. Tanks rust from moisture build-up, which weakens the tank. Make sure to drain tank regularly and inspect periodically for unsafe conditions such as rust formation and corrosion.
14. Fast moving air will stir up dust and debris which may be harmful. Release air slowly when draining moisture or depressurizing the compressor system.
15. Keep hoses away from sharp objects, chemical spills, oil solvents and wet floors which can damage hose. Do not operate compressor with damaged hose(s) or after the compressor or attachments have been dropped or damaged. Notify the nearest authorized service facility for examination, repair, or other adjustment.

⚠ WARNING

Never use plastic (PVC) pipe for compressed air. Serious injury or death could result.

Assembly

ASSEMBLY INSTRUCTIONS

⚠ WARNING

Disconnect, tag and lock out power source, then release all pressure from the system before attempting to install, service, relocate or perform any maintenance.



FLYWHEEL (VT2030 & VT2731 ONLY)

Place flywheel on the crankshaft with setscrew threads on the outside. Tighten setscrew to 19ft. lbs. on the key. Keep the setscrew tight. A loose flywheel causes a knocking noise.

AIR FILTER INSTALLATION

1. Screw inlet filter into 1/2" NPT threaded inlet port on compressor head.

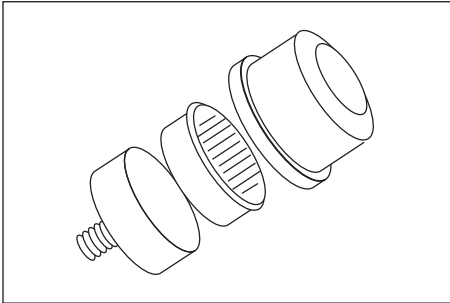


Figure 1 - Air Filter

LUBRICATION

⚠ CAUTION

This unit contains no oil! Follow

lubrication instructions before operating compressor.

Model	Approximate Oil Capacity (oz.)
VT4700 and VT4800	8.5

ALL MODELS

Ensure oil drain extension has been installed (if included), then remove the dipstick/breather and fill pump with oil. Use SAE 30 Industrial Grade compressor oil or full synthetic motor oil like Mobil 1® 10W-30. Do not use regular automotive oil such as 10W-30. Additives in regular oil can cause valve deposits and reduce pump life. Proper oil fill is illustrated in Figure 2.

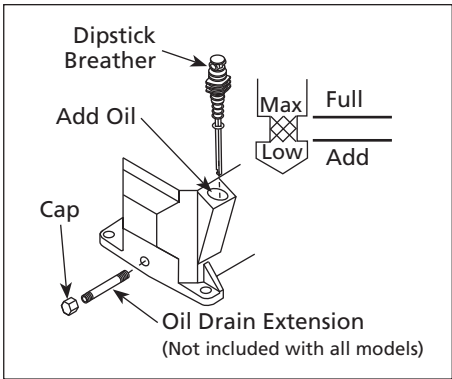


Figure 2 - Oil Fill

For pumps with an oil sight glass, oil level can be monitored and maintained as shown in Figure 3.

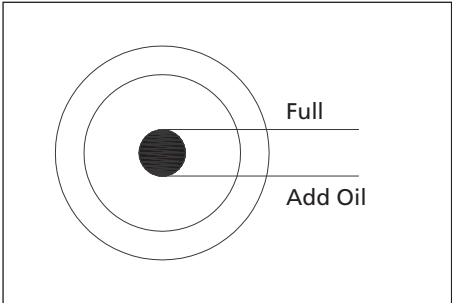


Figure 3

BREAK-IN

After installing compressor, start the new pump and run without a load (0 PSI) for 30 minutes. With a pressure regulator set to 40 PSI and no tool or hose connected to the outlet, run the compressor for another 30 minutes.

MOISTURE IN COMPRESSED AIR

Moisture in compressed air will form into droplets as it comes from an air compressor pump. When humidity is high or when a compressor is in continuous use for an extended period of time, this moisture will collect in the tank. When using a paint spray or sandblast gun, this water will be carried from the tank through the hose, and out of the gun as droplets mixed with the spray material.

IMPORTANT: This condensation will cause water spots in a paint job, especially when spraying other than water based paints. If sandblasting, it will cause the sand to cake and clog the gun, rendering it ineffective.

A filter in the air line, located as near to the gun as possible, will help eliminate this moisture.

Maintenance

⚠ WARNING

Release all pressure from the system before attempting to install, service, relocate or perform any maintenance.



FOR EFFICIENT OPERATION BEFORE EACH USE:

1. Check air filter.
2. Check oil level. Low oil level will result in rapid wear and short pump life.

TORQUE REQUIREMENTS (IN/LBS.)

Model	Compressor Head Bolts	Bearing Cap Bolts
All VT models	175-225	50-120

TECHNICAL SERVICE

For information regarding the operation or repair of this product, please call 1-800-543-6400.

Troubleshooting Chart

Symptom	Possible Cause(s)	Corrective Action
Low discharge pressure	1. Air leaks	1. Listen for escaping air. Apply soap solution to all fittings and connections. Bubbles will appear at points of leakage. Tighten or replace leaking fittings or connections
	2. Slipping belts	2. Loosen motor clamping bolts and move the motor in a direction away from the compressor, being sure that the motor pulley is perfectly aligned with the flywheel. Tighten motor clamping bolts. The belt should deflect about 1/2 inch under 5-lbs of pressure. Do not "roll" belts over pulleys
	3. Air demand exceeds pump capacity	3. Reduce air demand or use a compressor with more capacity
	4. Blown gaskets	4. Replace any gaskets proven faulty on inspection
	5. Leaking valves	5. Remove head and inspect for valve breakage, misaligned valves, damaged valve seats, etc. Replace defective parts and reassemble
	6. Restricted air intake	6. Clean the air filter element
	7. Low compression	7. Low pressure can be due to worn rings and cylinder walls. Correction is made by replacing the rings, cylinders, and pistons as required
		⚠ CAUTION <i>Install a new head gasket each time the head is removed</i>
Pump overheating causes air filter to melt	1. Broken valves/blown gasket	1. Replace valve or install new gasket
Excessive noise (knocking)	1. Loose motor or compressor pulley	1. Loose motor or compressor pulleys are a very common cause of compressors knocking. Tighten pulley clamp bolts and set-screws
	2. Lack of oil in crankcase	2. Check for proper oil level; if low, check for possible damage to bearings. Dirty oil can cause excessive wear
	3. Worn connecting rod	3. Replace connecting rod; maintain oil level and change oil more frequently
	4. Worn piston pin bores	4. Remove piston assemblies from the compressor and inspect for excess wear. Replace excessively worn piston pin or pistons, as required; maintain oil level and change oil more frequently
	5. Worn bearings	5. Replace worn bearings and change oil
	6. Piston hitting the valve plate	6. Remove the compressor head and valve plate and inspect for carbon deposits or other foreign matter on top of piston. Replace head and valve plate using new gasket
	7. Noisy check valve in compressor system	7. Replace
Large quantity of oil in the discharge air NOTE: Oil lubricated compressors will always have a small amount of oil in the air stream.	1. Worn piston rings	1. Replace with new rings. Maintain oil level and change oil more frequently.
	2. Compressor air intake restricted	2. Clean filter. Check for other restrictions in the intake system.
	3. Excessive oil in compressor	3. Drain down to full level.
	4. Wrong oil viscosity	4. Use Mobil 1® 10W-30
Water in discharge air/tank	1. Normal operation. The amount of water increases with humid weather	1. Drain tank more often. At least daily.
		2. Add a filter to reduce the amount of water in the air line.

LIMITED WARRANTY

1. **DURATION:** From the date of purchase by the original purchaser as follows: 90 days.
2. **WHO GIVES THIS WARRANTY (WARRANTOR):** Campbell Hausfeld / Scott Fetzer Company, 100 Production Drive, Harrison, Ohio, 45030, Telephone: (800) 543-6400.
3. **WHO RECEIVES THIS WARRANTY (PURCHASER):** The original purchaser (other than for purposes of resale) of the Campbell Hausfeld compressor.
4. **WHAT PRODUCTS ARE COVERED BY THIS WARRANTY:** This Campbell Hausfeld single stage, air compressor pump.
5. **WHAT IS COVERED UNDER THIS WARRANTY:** Parts and Labor to remedy substantial defects due to material and workmanship during the specific warranty period with the exceptions noted below. Parts only to remedy substantial defects due to material and workmanship during remaining term of coverage with exceptions noted below.
6. **WHAT IS NOT COVERED UNDER THIS WARRANTY:**
 - A. Implied warranties, including those of merchantability and FITNESS FOR A PARTICULAR PURPOSE ARE LIMITED FROM THE DATE OF ORIGINAL PURCHASE AS STATED IN THE DURATION. If the compressor is used for commercial, industrial or rental purposes, the warranty will apply for ninety (90) days from the date of purchase. Some States do not allow limitations on how long an implied warranty lasts, so the above limitations may not apply to you
 - B. ANY INCIDENTAL, INDIRECT, OR CONSEQUENTIAL LOSS, DAMAGE, OR EXPENSE THAT MAY RESULT FROM ANY DEFECT, FAILURE, OR MALFUNCTION OF THE CAMPBELL HAUSFELD PRODUCT. Some States do not allow the exclusion or limitations of incidental or consequential damages, so the above limitation or exclusion may not apply to you.
 - C. Any failure that results from an accident, purchaser's abuse, neglect or failure to operate products in accordance with instructions provided in the owner's manual(s) supplied with compressor.
 - D. Pre-delivery service, e.g. assembly, oil or lubricants, and adjustment.
 - E. Items or service that is normally required to maintain the product, e.g. lubricants, filters and gaskets, etc.
 - F. Gasoline engines and components are expressly excluded from coverage under this limited warranty. The Purchaser must comply with the warranty given by the engine manufacturer which is supplied with the product
 - G. Additional items not covered under this warranty:
 1. Excluded items pertaining to All Compressors
 - a. Any component damaged in shipment or any failure caused by installing or operating unit under conditions not in accordance with installation and operation guidelines or damaged by contact with tools or surroundings.
 - b. Pump or valve failure caused by rain, excessive humidity, corrosive environments or other contaminants.
 - c. Cosmetic defects that do not interfere with compressor functionality.
 - d. Damage due to incorrect voltage, improper wiring, rotation, or rotation speed.
 - e. Other items not listed but considered general wear parts.
 - f. Damage from inadequate filter maintenance.
 2. Excluded items specific to Lubricated Compressors:
 - a. Pump wear or valve damage caused by using oil not specified.
 - b. Pump wear or damage caused by any oil contamination.
 - c. Pump wear or damage caused by failure to follow proper oil maintenance guidelines, operation below proper oil level or operation without oil.
 - H. Labor, service call, or transportation charges after the first year of ownership of stationary compressors. Stationary compressors are defined as not including a handle or wheels.
7. **RESPONSIBILITIES OF WARRANTOR UNDER THIS WARRANTY:** Repair or replace, at Warrantor's option, compressor or component which is defective, has malfunctioned and/or failed to conform within the duration of the specific warranty period.
8. **RESPONSIBILITIES OF PURCHASER UNDER THIS WARRANTY:**
 - A. Provide dated proof of purchase and maintenance records.
 - B. Portable compressors or components must be delivered or shipped to the nearest Campbell Hausfeld Authorized Service Center. Freight costs, if any, must be borne by the purchaser.
 - C. Use reasonable care in the operation and maintenance of the products as described in the owner's manual(s).
 - D. Repairs requiring overtime, weekend rates, or anything beyond the standard manufacturer warranty repair labor reimbursement rate.
 - E. Time required for any security checks, safety training, or similar for service personnel to gain access to facility.
 - F. Location of unit must have adequate clearance for service personnel to perform repairs and easily accessible.
9. **WHEN WARRANTOR WILL PERFORM REPAIR OR REPLACEMENT UNDER THIS WARRANTY:** Repair or replacement will be scheduled and serviced according to the normal work flow at the servicing location, and depending on the availability of replacement parts.

This Limited Warranty applies in the U.S., Canada and Mexico only and gives you specific legal rights. You may also have other rights which vary from State to State or country to country.

Veillez lire et conserver ces instructions. Lire attentivement avant de commencer à assembler, installer, faire fonctionner ou entretenir l'appareil décrit. Protégez-vous et les autres en observant toutes les informations sur la sécurité. Négliger d'appliquer ces instructions peut résulter en des blessures corporelles et/ou en des dommages matériels ! Conserver ces instructions pour références ultérieures.



Pompes de compresseurs de rechange

Table des matières

Description	7-Fr
Déballage	7-Fr
Directives De Sécurité.....	7 Fr
Généralités Sur La Sécurité.....	8 Fr
Montage	9-Fr
Entretien	9 Fr
Guide De Dépannage.....	11 Fr
Garantie limitée	12 Fr

Description

Les pompes de compresseurs d'air lubrifiées à l'huile, monophasés sont à utiliser comme remplacements des unités de compresseurs d'air et aussi comme composants dans les systèmes de compresseurs d'air de conception spéciale. Pour l'utilisation comme remplacement, la pompe de compresseur doit correspondre aux caractéristiques de vibration de la pompe originelle. L'air comprimé provenant de ces pompes et prévue pour l'utilisation avec les outils pneumatiques et les pistolets vapo-risateurs. L'humidité atmosphérique et l'huile résiduelle des compresseurs peuvent nécessiter des traitements additionnels pour certaines applications. Tous les modèles sont équipés de cylindres et carter en fonte, culasse en aluminium et soupapes en acier inoxydable.

▲ DANGER

Avertissement D'Air Respirable

Ce compresseur/pompe N'EST PAS équipé pour et NE DEVRAIT PAS être utilisé "comme soi" pour fournir de l'air respirable. En cas d'applications d'air pour la consommation humaine, le compresseur d'air/pompe doit être équipé avec de l'équipement de sécurité en canalisation et d'alarme. Cet équipement additionnel est nécessaire pour filtrer et purifier l'air afin d'atteindre les spécifications minimales pour la respiration Grade D décrite dans le Compressed Gas Association Commodity Specification G 7.1 - 1966, OSHA 29 CFR 1910. 134, and/or Canadian Standards Associations (CSA).

DÉNÉGATION DES GARANTIES:

Si le compresseur est utilisé pour les applications d'air respirable et l'équipement de sécurité en canalisation et d'alarme n'est pas utilisé simultanément, les garanties en existence seront annulées, et Campbell Hausfeld nie toute responsabilité pour n'importe quelle perte, blessure ou dommage.

Déballage

Dès que l'appareil est déballé, l'inspecter attentivement pour tout signe de dommages en transit. S'assurer de resserrer tous les raccords, boulons, etc. avant de le mettre en service.

▲ AVERTISSEMENT

Ne pas utiliser un modèle qui a été endommagé pendant le transport, la manipulation ou l'utilisation. Le dommage peut résulter en explosion et peut causer des blessures ou dégâts matériels.

LIRE ET SUIVRE TOUTES LES INSTRUCTIONS.

CONSERVER CES INSTRUCTIONS - NE LES JETEZ PAS

Directives de Sécurité

Ce manuel contient de l'information très importante qui est fournie pour la SÉCURITÉ et pour ÉVITER LES PROBLÈMES D'ÉQUIPEMENT. Rechercher les symboles suivants pour cette information.

▲ DANGER

Danger indique une situation hasardeuse imminente qui RÉSULTERA en perte de vie ou blessures graves.

▲ AVERTISSEMENT

Avertissement indique une situation hasardeuse potentielle qui PEUT résulter en perte de vie ou blessures graves.

▲ ATTENTION

Attention indique une situation hasardeuse potentielle qui PEUT résulter en blessures.

AVIS

Avis indique de l'information importante pour éviter le dommage de l'équipement.

REMARQUE: L'information qui exige une attention spéciale.

MÉMENTO: Gardez votre preuve datée d'achat à fin de la garantie!
Joignez-la à ce manuel ou classez-la dans un dossier pour plus de sécurité.


Généralités sur la Sécurité

PROPOSITION 65 DE CALIFORNIE


AVERTISSEMENT Ce produit ou son cordon peuvent contenir des produits chimiques qui, de l'avis de l'État de Californie, causent le cancer et des anomalies congénitales ou autres problèmes de reproduction. Lavez-vous les mains après la manipulation.

GÉNÉRALITÉS SUR LA SÉCURITÉ


Puisque le compresseur d'air et les autres pièces détachées (pompe, pistolets, filtres, graisseurs, tuyaux, etc.) font partie d'un système de haute pression, il est nécessaire de suivre les précautions suivantes:

1. Lire attentivement tous manuels compris avec ce produit. Se familiariser avec ce produit, ses commandes et son utilisation. 
2. Suivre tous les codes de sécurité locaux ainsi que l'Occupational Safety and Health Act (OSHA) des É-U.
3. Seules les personnes bien familiarisées avec ces règles d'utilisation doivent être autorisées à se servir du compresseur.
4. Garder les visiteurs à l'écart de/et NE JAMAIS permettre les enfants dans l'endroit de travail.
5. Utiliser des lunettes de sécurité et la protection auditive pendant l'utilisation du modèle.
6. Ne pas se tenir debout sur/ou utiliser le modèle comme une prise à main.
7. Inspecter le système d'air comprimé, le système d'essence et les pièces détachées électriques pour toute indication de dommage, détérioration, faiblesse ou fuites avant chaque utilisation. Réparer ou remplacer toutes pièces défectueuses avant l'utilisation.
8. Inspecter le degré de serrage de toutes attaches par intervalles régulières.

AVERTISSEMENT


Les moteurs, l'équipement et les commandes électriques peuvent causer des arcs électriques qui peuvent allumer un gaz ou une vapeur inflammable. Ne jamais utiliser ou réparer le modèle près d'un gaz ou d'une vapeur inflammable. Ne jamais entreposer les liquides ou gaz inflammables près du compresseur. 

AVERTISSEMENT

Ne jamais faire fonctionner un compresseur sans carter de courroie. Les compresseurs peuvent se démarrer sans avis. Le contact avec les pièces mobiles peut causer des blessures personnelles ou dégâts matériels. 

9. Ne pas porter des vêtements flottants ou des bijoux qui peuvent se prendre dans les pièces mobiles du modèle.

ATTENTION


Les pièces du compresseur peuvent être chaudes, même si le modèle est hors circuit. 

10. Garder les doigts à l'écart du compresseur; les pièces mobiles et chaudes peuvent causer des blessures et/ou des brûlures.
11. Si l'équipement vibre anormalement, ARRÊTER le moteur et l'inspecter immédiatement. La vibration est généralement une indication d'un problème.
12. Pour réduire le risque d'incendie, garder l'extérieur du moteur libre d'huile, de solvant ou de graisse excessive.

AVERTISSEMENT

Ne jamais enlever ou essayer d'ajuster la soupape de sûreté. Garder la soupape de sûreté libre de peinture et autres accumulations.

DANGER

Ne jamais essayer de réparer ou de modifier un réservoir! Le soudage, perçage ou autre modifications peuvent affaiblir le réservoir et peut résulter en dommage de rupture ou d'explosion. Toujours remplacer un réservoir usé, fendu ou endommagé. 

13. L'accumulation d'humidité cause la rouille qui peut affaiblir le réservoir. Purger le réservoir quotidiennement et l'inspecter périodiquement pour la rouille et la corrosion ou autre dommage.
14. L'air mouvante peut agiter la poussière et le débris qui peut être dangereux. Lâcher l'air lentement en purgeant l'humidité ou pendant la dépressurisation du système de compresseur.
15. Garder les tuyaux à l'écart des objets pointus, déversements chimiques, solvants d'huile et planchers trempés car ceux-ci peuvent endommager les tuyaux. Ne pas faire fonctionner le compresseur avec un(des) tuyau(x) endommagé(s) ni suivant l'échappement ou le dommage du/au compresseur ou aux accessoires. Avertir votre centre de service autorisé pour l'inspection, la réparation ou n'importe quel ajustement nécessaire.

AVERTISSEMENT

Ne jamais utiliser les tuyaux en plastique (CPV) pour l'air comprimé. Ceci peut résulter en blessures graves ou en perte de vie.

Montage

INSTRUCTIONS DE MONTAGE

⚠ AVERTISSEMENT

Débrancher, étiquetter et verrouiller la source de puissance électrique et dissiper toute la pression du système avant d'essayer d'installer, réparer, déplacer ou de procéder à l'entretien du modèle.



VOLANT (VT2030 ET VT2731 SEULEMENT)

Placer le volant sur le vilebrequin avec les filets de la vis de pression à l'extérieur. Serrer la vis de pression à 19 lb-pi sur la clavette et la garder bien serrée. Un volant délogé peut causer un cognement.

INSTALLATION DU FILTRE D'AIR

1. Visser le filtre d'aspiration dans l'orifice d'entrée filetée de 1/2 po (13 mm) NPT sur la tête du compresseur.

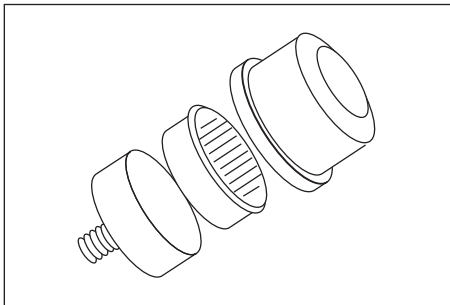


Figure 1 - Filtre À Air

GRAISSAGE

⚠ ATTENTION

Ce modèle ne contient pas d'huile! Il est nécessaire de suivre les instructions de graissage avant d'utiliser le compresseur.

Modèle	Capacité D'huile Approx. (litres)
VT4700 et VT4800	0,25 L

TOUS LES MODÈLES

S'assurer que la rallonge de vidange d'huile a été installée (s'il y a lieu), puis retirer la jauge/reniflard et remplir la pompe d'huile. Utiliser de l'huile pour compresseur de qualité industrielle SAE 30 ou une huile à moteur entièrement synthétique telle que Mobil 1® 10W-30. Ne pas utiliser d'huile à moteur courante telle que la 10 W-30. Les additifs de l'huile régulière peuvent provoquer des dépôts dans la soupape et réduire la durée de vie utile de la pompe.

Le niveau d'huile correct est illustré sur la Figure 2.

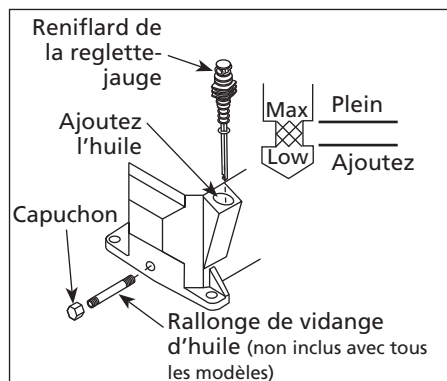


Figure 2 - Remplissage d'huile

Pour les pompes dotées d'un regard d'huile, on peut vérifier et maintenir le niveau d'huile comme indiqué dans la Figure 3.

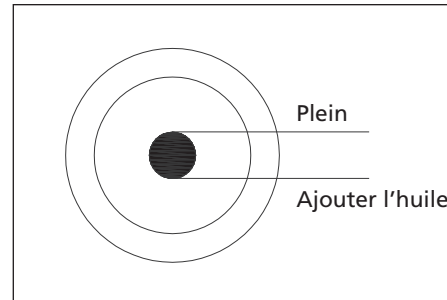


Figure 3

RODAGE

Suivant le montage du compresseur, démarrer la pompe et la faire fonctionner sans charge (0 PSI) pendant 30 minutes. Avec le manomètre réglé à 40 PSI, et aucun outil ou tuyau branché à l'orifice de sortie, faire fonctionner le compresseur pour 30 minutes de plus.

L'HUMIDITÉ DANS L'AIR COMPRIMÉ

L'humidité dans l'air comprimé forme des gouttelettes en arrivant de la pompe du compresseur. Si l'humidité est élevée ou si le compresseur est utilisé continuellement, cette humidité s'accumulera dans le réservoir. En utilisant un pistolet à peinture ou un pistolet pour décapage au sable, cette eau sera transportée du réservoir par moyen du tuyau, et en forme de gouttelettes mélangées avec le matériel utilisé.

IMPORTANT: Cette condensation peut avoir comme résultat des tâches d'eau sur votre travail de peinture, surtout en pulvérisant la peinture à l'huile. Pendant la décapage au sable, cette eau servira à tenir le sable ensemble et à causer une obstruction dans le pistolet. Un filtre dans la ligne d'air situé aussi proche du pistolet que possible, peut aider à éliminer cette humidité.

Entretien

⚠ AVERTISSEMENT

Dissiper toute la pression du système avant d'essayer d'installer, réparer, déplacer ou de procéder à l'entretien.



POUR UN FONCTIONNEMENT SÛR AVANT CHAQUE UTILISATION:

1. Vérifier le filtre à air.
2. Vérifier le niveau d'huile. Un niveau bas résultera en usure rapide et une espérance de vie de la pompe raccourcie.

EXIGENCES DE COUPLE (LB-PO.)

Modèle	Boulons À Tête De Compresseur	Boulons À Chapeau De Palier
--------	-------------------------------	-----------------------------

VT Modèles	175-225	50-120
------------	---------	--------

SERVICE TECHNIQUE

Pour des informations concernant le fonctionnement ou la réparation de ce produit, composer le 1-800-543-6400.

Guide De Dépannage

Symptôme	Cause(s) Possible(s)	Mesures Correctives
Pression de débit basse	1. Fuites d'air	1. Écouter pour une fuite d'air. Appliquer une solution savonneuse sur tous raccords. Inspecter pour des bulles aux endroits des fuites. Serrer ou remplacer les raccords qui ont des fuites
	2. Patinage de courroies	2. Desserrer les boulons de serrage du moteur et déplacer le moteur à l'écart du compresseur. S'assurer que la poulie du moteur soit alignée parfaitement avec le volant. Serrer les boulons de serrage du moteur. La courroie devrait dévier approx. 1/2 po sous 5 livres de pression. Ne pas "rouler" les courroies sur les poulies
	3. Demande d'air dépasse la capacité de la pompe	3. Réduire la demande d'air ou utiliser un compresseur de capacité plus élevée
	4. Joints d'étanchéité en panne	4. Remplacer tous joints défectueux
	5. Fuites de soupapes	5. Enlever la tête et rechercher tout dommage ou faiblesse de soupapes, sièges de soupapes encochés, etc. Remplacer les pièces défectueuses et rassembler
		⚠ ATTENTION Assurer que le vieux joint de culasse soit remplacé avec un nouveau chaque fois que la culasse est enlevée
	6. Restriction dans la prise d'air	6. Nettoyer la cartouche filtrante
	7. Compression basse	7. Les bagues et parois du cylindre usées peuvent causer la pression basse. Remplacer les bagues, cylindres, et pistons si nécessaire
Surchauffage de la pompe fait fondre le filtre	1. Soupapes cassées ou joint d'étanchéité en panne	1. Remplacer la soupape ou installer un nouveau joint d'étanchéité
Bruit excessif (cognement)	1. Moteur ou poulie du compresseur lâche	1. Les poulies lâches du moteur ou du compresseur sont souvent la source du cognement. Serrer les boulons et les vis de serrage de la poulie
	2. Manque d'huile dans le carter	2. Inspecter le niveau d'huile; si bas, inspecter les paliers pour la possibilité de dommage. L'huile sale peut causer l'usure excessive
	3. Bielle usée	3. Remplacer la bielle; maintenir le niveau d'huile et changer l'huile plus souvent
	4. Alésages de l'axe de piston usés	4. Enlever les montages de piston du compresseur et inspecter pour l'usure excessive. Remplacer l'axe de piston usé ou le piston usés au besoin; maintenir le niveau d'huile et changer l'huile plus souvent
	5. Paliers usés	5. Remplacer les paliers usés et changer l'huile
	6. Piston qui frappe la plaque de soupape	6. Enlever la tête du compresseur et la plaque de soupape et inspecter le haut du piston pour l'encrassement ou autres matières. Remplacer la tête et la plaque en utilisant un joint nouveau
	7. Clapet bruyant dans le système de compresseur	7. Remplacer
Large quantité d'huile dans l'air de décharge REMARQUE: Il y aura toujours un peu d'huile dans le jet d'air avec un compresseur graissé par l'huile.	1. Segments de piston usés	1. Remplacer les segments de piston. Entretenir le niveau d'huile correct et changer l'huile plus souvent.
	2. Arrivée d'air du compresseur limité	2. Nettoyer le filtre. Vérifier le système d'arrivée pour autres restrictions.
	3. Huile excessive dans le compresseur	3. Vidanger jusqu'au niveau plein.
	4. Viscosité d'huile incorrecte	4. Utiliser l'huile Mobil 1 ^o 10W-30
Eau dans l'air de débit/réservoir	1. Fonctionnement normal. La quantité d'eau augmentera si le temps est humide	1. Purger le réservoir plus souvent, au moins quotidiennement.
		2. Ajouter un filtre pour diminuer la quantité d'eau dans la canalisation d'air.

GARANTIE LIMITÉE

1. DURÉE: À partir de la date d'achat par l'acheteur original comme suit : 90 jours.
2. GARANTIE ACCORDÉE PAR (GARANT) :
Campbell Hausfeld/Scott Fetzer Company, 100 Production Drive, Harrison, Ohio, 45030, Téléphone: (800) 543-6400.
3. BÉNÉFICIAIRE DE CETTE GARANTIE (ACHETEUR) : L'acheteur original (sauf en cas de revente) du produit Campbell Hausfeld.
4. PRODUITS COUVERTS PAR CETTE GARANTIE : Cette pompe de compresseur d'air, monophasé Campbell Hausfeld.
5. COUVERTURE DE LA PRÉSENTE GARANTIE : Les pièces et la main d'œuvre pour corriger les défauts importants à cause de problèmes de matériaux et de main d'œuvre durant la période de garantie précise avec les exceptions indiquées ci-dessous. Pièces seulement pour remédier à de défauts importants causés par matériau et main d'œuvre pendant le temps restant de la couverture avec les exceptions indiquées ci-dessous.
6. LA PRÉSENTE GARANTIE NE COUVRE PAS :
 - A. Les garanties implicites, y compris celles de commercialisation et D'ADAPTATION À UNE FONCTION PARTICULIÈRE SONT LIMITÉES À PARTIR DE LA DATE D'ACHAT INITIALE TELLE QU'INDIQUÉE DANS LA SECTION DURÉE. Si le compresseur d'air est utilisé pour une fonction commerciale, industrielle ou pour la location, la durée de la garantie sera quatre-vingt-dix (90) jours de la date d'achat. Certaines Provinces (États) n'autorisent pas de limitations de durée pour les garanties implicites, donc les limitations précédentes peuvent donc ne pas s'appliquer.
 - B. TOUT DOMMAGE, PERTE OU DÉPENSE FORTUIT OU INDIRECT POUVANT RÉSULTER DE TOUT DÉFAUT, PANNE OU MAUVAIS FONCTIONNEMENT DU PRODUIT CAMPBELL HAUSFELD. Quelques Provinces (États) n'autorisent pas l'exclusion ni la limitation des dommages fortuits ou indirects. La limitation ou l'exclusion précédente peut donc ne pas s'appliquer.
 - C. Toute panne résultant d'un accident, d'une utilisation abusive, de la négligence ou d'une utilisation ne respectant pas les instructions données dans le(s) manuel(s) accompagnant le produit.
 - D. Service avant livraison; le montage, l'huile ou les lubrifiants et les réglages par exemple.
 - E. Articles ou services qui sont exigés normalement pour l'entretien du produit; par ex. lubrifiants, filtres et joints d'étanchéité, etc.
 - F. Les moteurs à essence et les pièces détachées sont expressément exclus de cette garantie limitée. L'acheteur doit observer la garantie du fabricant de moteur qui est fournie avec le produit.
 - G. Articles supplémentaires qui ne sont pas couverts sous cette garantie :
 1. Articles exclus relatifs à Tous les Compresseurs
 - a. Toutes pièces détachées endommagées pendant l'expédition, n'importe quelle panne causée par un montage ou fonctionnement du modèle sous des conditions qui ne se conforment pas aux directives de montage et de fonctionnement ou dommage causé par le contact avec les outils ou les alentours.
 - b. La défaillance de la pompe ou de la soupape causée par la pluie, l'humidité excessive, un environnement corrosif ou autres polluants.
 - c. Les défauts de forme qui n'ont pas d'effet sur le fonctionnement du compresseur.
 - d. Dommage dû à la mauvaise tension, l'installation de fils incorrecte, la rotation ou la vitesse de rotation.
 - e. Autres articles non indiqués mais considérés pièces d'usure générale.
 - f. Dommage causé par l'entretien insuffisant du filtre.
 2. Compresseurs Graissés
 - a. Usure de la pompe ou dommage aux soupapes causé par l'utilisation d'huile non-spécifiée.
 - b. Usure de la pompe ou dommage aux soupapes causé par toute contamination d'huile ou par le manque de suivre les directives d'entretien d'huile.
 - c. Usure ou dommage de la pompe causé par le manque de suivre les directives d'entretien d'huile, fonctionnement avec le niveau d'huile au-dessous du bon niveau ou fonctionnement sans huile.
 - H. Main d'œuvre, appel de service, ou frais de transport après le premier an de possession de compresseurs stationnaires. Les compresseurs stationnaires sont identifiés par l'absence de manchon ou de roues.
7. RESPONSABILITÉS DU GARANT AUX TERMES DE CETTE GARANTIE : Réparation ou remplacement, au choix du Garant, d'un compresseur ou d'un composant qui s'est révélé défectueux, qui a mal fonctionné et/ou qui s'est avéré non conforme pendant la durée de garantie précise.
8. RESPONSABILITÉS DE L'ACHETEUR AUX TERMES DE CETTE GARANTIE :
 - A. Fournir une preuve d'achat datée et un état d'entretien.
 - B. La livraison ou expédition des compresseurs portatifs ou des pièces détachées au Centre De Service Autorisé Campbell Hausfeld le plus près. Frais de transport, si applicables, sont la responsabilité de l'acheteur.
 - C. Utilisation et entretien du produit avec un soin raisonnable, ainsi que le décrit le(s) manuel(s) d'utilisation.
 - D. Réparations qui exigent de temps additionnel, taux de charge de fin de semaine, ou tout problème au-delà du taux normal de remboursement par main d'œuvre de réparations sous garantie du fabricant.
 - E. Temps nécessaire pour tout contrôle de sécurité, entraînement de sécurité, ou situation semblable parce que le personnel de service puisse obtenir l'accès à l'installation.
 - F. L'emplacement de l'unité doit être facilement accessible et avoir l'espace suffisant parce que le personnel de service puisse effectuer les réparations.
9. RÉPARATION OU REMPLACEMENT EFFECTUÉ PAR LE GARANT AUX TERMES DE LA PRÉSENTE GARANTIE : La réparation ou le remplacement sera prévu et exécuté en fonction de la charge de travail dans le centre de service et dépendra de la disponibilité des pièces de rechange.

Cette Garantie Limitée s'applique aux É.-U., au Canada et au Mexique seulement et vous donne des droits juridiques précis. L'acheteur peut également jouir d'autres droits qui varient d'une Province, d'un État ou d'un Pays à l'autre.

Por favor, leia e guarde essas instruções. Leia com atenção antes de tentar montar, instalar, usar ou fazer manutenção no produto descrito. Siga todas as informações de segurança para proteger a si mesmo e a outras pessoas; caso contrário, podem ocorrer lesões pessoais e danos materiais! Guarde essas instruções para futuras consultas.



Bombas de Compressor de Reposição

Índice

Descrição	13-Pg
Remoção da Embalagem	13-Pg
Normas de Segurança	13-Pg
Informações Gerais de Segurança	14-Pg
Montagem	15-Pg
Manutenção	15-Pg
Gráfico de Resolução de Problemas	17-Pg
Garantia	18-Pg

Descrição

Bombas compressoras de ar de estágio único, lubrificadas a óleo, cuja finalidade é a reposição em unidades de compressor, e uso como componentes em sistemas de compressor de ar especialmente projetados. O cabeçote de compressão de reposição deve corresponder às características de vibração da bomba original. O ar comprimido dessas cabeçotes é destinado ao uso com ferramentas de ar comprimido e pistolas de pulverização. A umidade atmosférica e os resíduos de óleo dos compressores podem requerer tratamento adicional para certas aplicações. Todos os modelos são equipados com cilindros e cárter de ferro fundido sólido, cabeçote de alumínio e válvulas de aço inoxidável.

▲ PERIGO

Alerta Sobre Ar Respirável

Este compressor/cabeçote NÃO está equipado, e não deve ser usado, do modo como está, para o fornecimento de ar de qualidade respirável. Para qualquer aplicação do ar para consumo humano, esta unidade necessitará ser adaptada com equipamento de alarme e de segurança em linha apropriado. Este equipamento adicional é necessário para filtrar e purificar o ar apropriadamente para que preencha as especificações mínimas de grau D como descrito Compressed Gas Association Commodity Specification G 7.1 - 1966, OSHA 29 CFR 1910. 134 e/ou Canadian Standards Association (CSA).

EXONERAÇÃO DE RESPONSABILIDADE:

No caso do compressor ser usado em aplicações de ar respirável e o equipamento de alarme de segurança em linha não for simultaneamente usado, as garantias existentes são anuladas e a Campbell Hausfeld se exime de qualquer responsabilidade no que diz respeito a qualquer perda, danos pessoais ou ao equipamento.

Remoção da Embalagem

Al desempacar este producto, revíselo con cuidado para cerciorarse de que esté en perfecto estado. Aperte firmemente conexões, parafusos, etc., antes de colocar a unidade em operação.

▲ AVISO

Não ponha o equipamento para funcionar se houve danos causados pelo transporte, manuseio e uso. Danos podem resultar em explosão e causar acidente pessoais e danos à propriedade.

**LEIA E SIGA TODAS AS INSTRUÇÕES
GUARDE ESTAS INSTRUÇÕES - NÃO DESCARTE**

Normas de Segurança

Este manual contém informações muito importantes que devem ser conhecidas e compreendidas. Essas informações são fornecidas para SEGURANÇA e para EVITAR PROBLEMAS NO EQUIPAMENTO. Para ajudar a reconhecer essas informações, observe os seguintes símbolos.

▲ PERIGO

Perigo indica uma situação iminente perigosa que, se não for evitada, RESULTARÁ em morte ou ferimentos graves.

▲ AVISO

Aviso indica uma situação potencialmente perigosa que, se não for evitada, PODE resultar em morte ou ferimentos graves.

▲ CUIDADO

Cuidado indica uma situação potencialmente perigosa que, se não for evitada, PODE resultar em ferimentos leves a moderados.

NOTA

Nota indica informações importantes que, se não forem seguidas, podem causar danos ao equipamento.

NOTA: Informação que requer atenção especial.

LEMBRETE: Guarde sua comprovação de compra datada até o fim da garantia!
Junte-a a este manual o archive-a para mais segurança.

Informações Gerais de Segurança

PROPOSIÇÃO 65 DA CALIFÓRNIA

▲ AVISO

Esse produto, ou o seu cabo de

alimentação, pode conter substâncias conhecidas no Estado da Califórnia por causarem câncer, defeitos congênitos ou outras lesões ao sistema reprodutor. Lave as mãos após o manuseio.

SEGURANÇA GERAL

Uma vez que o compressor de ar e outros componentes usados (cabecotes, pistolas, filtros, lubrificadores, mangueiras, etc.) fazem parte de um sistema de bombeamento sob alta pressão, as seguintes precauções de segurança devem ser sempre observadas:

1. Ler com atenção todos manuais que venham junto com o produto. Ficar completamente familiarizado com os controles e com o uso apropriado do equipamento.
2. Siga todos os códigos elétricos e de segurança locais como também os do NEQ (Códigos Elétricos Nacionais) e da OSHA (Ato de Saúde e Segurança Ocupacional) nos E.U.A.
3. Apenas as pessoas que estão bem cientes das regras de segurança devem ser autorizadas a usar o compressor.
4. Manter longe qualquer observador e NUNCA permitir a presença de crianças na área do serviço.
5. Use óculos de segurança e proteção para ouvidos quando operar o equipamento.
6. Não fique em pé no equipamento e nem se apoie nele.
7. Antes de cada uso, inspecione o sistema de ar comprimido e os componentes elétricos para sinais de danos, deterioração, vazamento, ou fraqueza. Conserte ou renove peças com defeitos antes de usar.



8. Verifique todos os ajustamentos e pinos com frequência para assegurar a tensão correta.

▲ AVISO

Motores e equipamentos elétricos podem causar arcos voltaicos que acenderão gás ou vapor inflamável. Nunca opere ou faça reparos dentro ou perto de gás ou vapor inflamável. Nunca guarde líquido ou gás inflamável na vizinhança do compressor.



▲ AVISO

Nunca opere o compressor sem o protetor de cinto. A máquina pode ligarse automaticamente sem aviso. Acidente pessoal ou danos na propriedade podem acontecer pelo contato com peças em funcionamento.



9. Nunca use roupa largas ou jóias que podem ser presas no movimento das peças do equipamento.

▲ CUIDADO

As partes do compressor podem estar quentes mesmo com a unidade parada.



10. Mantenha os dedos fora do compressor em funcionamento; peças em movimento e quentes, podem causar acidentes e/ou queimaduras.
11. Se o equipamento começar vibrar de forma anormal, DESLIGUE o motor e verifique imediatamente a causa. Geralmente, vibração é uma advertência de problemas.
12. Para reduzir perigo de fogo, mantenha o exterior do motor limpo e livre de óleo, solvente ou graxa em excesso.

▲ AVISO

Nunca tente fixar ou remover a válvula de segurança. Mantenha a válvula de segurança livre de tinta e outras acumulações.

▲ PERIGO

Nunca tente consertar ou modificar o tanque! Soldar, furar ou qualquer outra modificação fará o tanque ficar mais fraco e pode resultar em danos por causa de rupturas ou explosão. Sempre substitua tanques quebrados ou estragados pelo uso.



13. A ferrugem causada pela umidade acumulada faz o tanque ficar fraco. Certifique se que o tanque seja esvaziado regularmente e inspecione periodicamente para evitar condições não seguras como a corrosão e ferrugem.
14. O movimento rápido de ar agitará poeira e escombros que podem causar dano. Solte o ar devagar quando drenar umidade ou despressurizar o sistema do compressor.
15. Mantenha as mangueiras distantes de objetos cortantes, vazamentos de substâncias químicas, solventes de óleos e pisos úmidos que possam danificar a mangueira. Não operar o compressor se a(s) mangueira(s) estiver(em) danificada(s), ou depois que o compressor, ou acessórios, tenham caído no chão, ou forem danificados. Notificar o serviço autorizado mais próximo para que um exame, reparo, ou outro ajuste seja feito.

▲ AVISO

Nunca use tubulação de plástico (PVC) para ar comprimido. Isto pode resultar em ferimentos graves ou morte.

Montagem

INSTRUÇÕES DE MONTAGEM

⚠ AVISO

Desconecte, etiquete e trave a fonte elétrica e daí solte toda a pressão do sistema antes de tentar instalar, consertar, mudar de lugar ou executar qualquer manutenção.



POLIA (VT2030 E VT2731 SOMENTE)

Posicione a polia no eixo e aparafuse mantendo-o suficientemente apertado para que a mesma não fique frouxa causando vibrações e ruídos, reduzindo a vida útil do cabeçote.

INSTALAÇÃO DE FILTRO DE AR

1. Atarraxar o filtro de entrada na porta de entrada de fibra de 1/2" NPT sobre a cabeça do compressor.

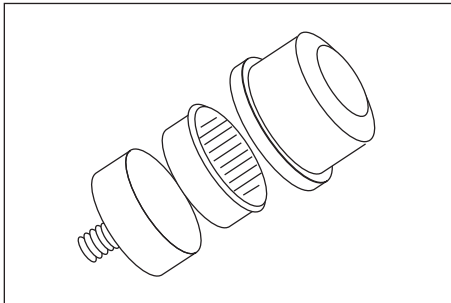


Figura 1 - Filtro de Ar

LUBRIFICAÇÃO

⚠ CUIDADO

ESTA UNIDADE É ENTREGUE SEM

ÓLEO! Siga as instruções de lubrificação antes de ligar o compressor.

Modelo	Capacidade Aproximada de Óleo
VT4700 e VT4800	0,25 L

TODOS OS MODELOS

Certifique-se de que a extensão de drenagem de óleo tenha sido instalada (se incluída), então remova a vara de medição/respiro e encha a bomba com óleo. Utilize óleo para compressor Industrial Grade SAE30 ou óleo sintético para motor, tal como o Mobil 1® 10W-30. Não use óleo automotivo regular tal como 10W-30. Os aditivos no óleo regular podem causar depósitos na válvula e reduzir a vida útil da bomba. Veja figura 2 para enchimento correto do óleo.

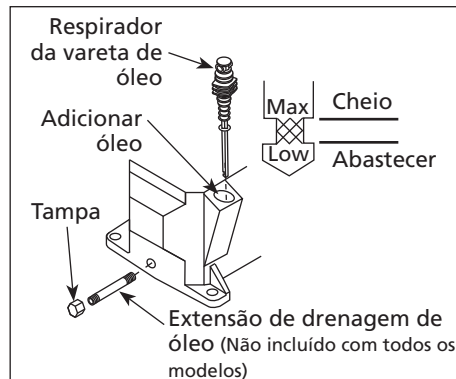


Figura 2 - Abastecer Óleo

Para as bombas com um vidro da vista do óleo, o nível de óleo pode ser monitorado e mantido como mostrado em figura 3.

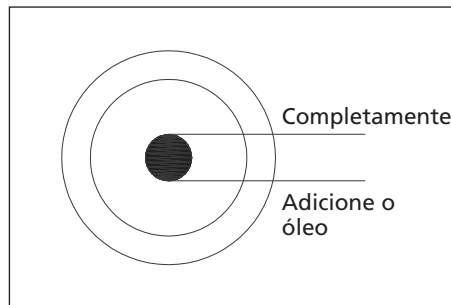


Figura 3

PRIMEIRO FUNCIONAMENTO

Depois de instalar o compressor deixe-o ligado por 30 minutos sem carga. Após deixe mais 30 minutos com o regulador de pressão em 40 LBS. e nenhuma ferramenta ou mangueira conectada.

UMIDADE NO AR COMPRIMIDO

A umidade no ar comprimido toma a forma de gotas a medida que o ar sai da bomba do compressor. Quando a umidade for alta, ou quando um compressor estiver em uso contínuo por um período de tempo prolongado, esta umidade será coletada no tanque. Quando usando um vaporizador de tinta ou pistola de jato de areia, esta água será levada do tanque através da mangueira e para fora da pistola na forma de gotas misturadas com o material da vaporização.

Importante: Esta condensação causará manchas de água em um trabalho de pintura, especialmente quando vaporizando com tintas cuja base não é a água. Se estiver jateando com areia, elas farão com que a areia forme um bolo obstruindo a pistola e tornando-a inoperante.

Um filtro na linha de ar, localizado tão próximo quanto possível da pistola, ajudará a eliminar esta umidade.

Manutenção

⚠ WARNING

Desconectar da força e liberar toda a pressão do sistema antes de tentar instalar, fazer serviços, transportar, ou realizar qualquer manutenção no equipamento.

PARA UMA OPERAÇÃO EFICIENTE ANTES DE CADA USO:

1. Verificar o filtro de ar.
2. Verifique o nível do óleo. O óleo baixo causará o desgaste rápido e encurtará a vida útil da bomba.



REQUERIMENTOS DE TORQUE (polegadas/libras)

Modelo	Parafusos da Cabeçado Compressor	Parafusos Tampa do mancal
VT Modelos	175-225	50-120

SERVIÇO TÉCNICO

Para informações sobre a operação ou reparo deste produto, ligue para 1-800-543-6400 (nos EUA).

Manutenção (Continuação)

PROGRAMA DE MANUTENÇÃO

Operação	Diariamente	Semanalmente	3 Meses
Verificar o nível do óleo	●		
Drenar qualquer tanque utilizado	●		
Verificar o filtro de ar		●	
Trocar o óleo			●

Intervalos insuficientes de troca de óleo encurtam a vida útil do cabeçote.

Notas

Gráfico de Resolução de Problemas

Síntoma	Causa Possível	Ação Corretiva
Baixa pressão de descarga	1. Vazamentos de ar	1. Preste atenção para ouvir vazamento de ar. Aplique uma solução de sabão em todos os acoplamentos e conexões. O vazamento produzirá bolhas de ar. Aperte ou substitua o acoplamento ou conexão com vazamento.
	2. Correias patinando	2. Afrouxe os parafusos de fixação e mova o motor na direção oposta do compressor, certificando-se de que a polia do motor esteja perfeitamente alinhada com o volante. Aperte os parafusos de fixação. A correia deve desviar aproximadamente 13 mm sob a pressão de 5 lbs. Não "role" as correias sobre a polia.
	3. A demanda de ar excede a capacidade do cabeçote	3. Reduza a demanda de ar ou use um compressor com mais capacidade.
	4. Juntas danificadas	4. Substitua as juntas que estiverem danificadas.
	5. Válvulas com vazamento	5. Remova o cabeçote e procure por quebras nas válvulas, válvulas fora de alinhamento, danos nas sedes das válvulas, etc. Substitua as peças que estiverem defeituosas e monte outra vez.
	6. Admissão de ar obstruída	6. Limpe o elemento do filtro de ar.
	7. Baixa compressão	7. A baixa pressão pode ocorrer devido ao desgaste dos anéis e das paredes do cilindro. A correção desse problema é feita substituindo os anéis, os cilindros e os pistões conforme necessário.
		ACUIDADO <i>Instale uma nova junta toda vez que o cabeçote for removido.</i>
O superaquecimento do cabeçote faz o filtro de ar derreter	1. Válvulas quebradas/junta danificada	1. Substitua a válvula ou instale uma nova junta
Ruído excessivo (batendo)	1. Motor ou polia do compressor solta	1. Motor ou polia do compressor solta são causas muito comuns de batida do compressor. Aperte os parafusos de fixação da polia e os parafusos de ajuste.
	2. Perda de óleo no cárter	2. Cheque o nível do óleo. Se estiver baixo, verifique se há algum dano nos mancais. Óleo sujo pode causar desgaste excessivo.
	3. Desgaste da biela	3. Substitua a biela, mantenha o nível correto do óleo e troque de óleo mais frequentemente
	4. Desgaste da bucha do pino do pistão	4. Remova os conjuntos dos pistões do compressor e verifique se há desgaste excessivo. Substitua os pinos ou os pistões desgastados conforme necessário, mantenha o nível correto do óleo e troque o óleo mais frequentemente
	5. Mancais gastos	5. Substitua os mancais gastos e troque de óleo
	6. O pistão bate na placa da válvula	6. Remova o cabeçote do compressor e a placa da válvula e verifique se há depósitos de carbono ou outros materiais estranhos no topo do pistão. Recoloque o cabeçote e a válvula usando uma nova junta
	7. Válvula de retenção ruidosa no sistema do compressor	7. Substitua a válvula
Grande quantidade de óleo no ar de descarga OBSERVAÇÃO: Os compressores lubrificados a óleo sempre terão uma pequena quantidade de óleo na corrente de ar.	1. Anéis de pistão gastos	1. Substituir por novos anéis. Manter o nível de óleo e trocá-lo com frequência.
	2. Absorção de ar do compressor restrita	2. Limpar o filtro. Procurar por outras restrições no sistema de entrada.
	3. Excesso de óleo no compressor	3. Esvaziar até o nível do combustível.
	4. Viscosidade de óleo errada	4. Usar Mobil 1 ^o 10W-30
Água no ar/tanque de descarga	1. Operação normal. A quantidade de água aumenta com clima úmido	1. Esvaziar o tanque com maior frequência. Pelo menos uma vez ao dia.
		2. Adicionar um filtro para reduzir a quantidade de água na linha de ar.

GARANTIA LIMITADA

1. **DURAÇÃO:** A partir da data de compra pelo comprador original como segue: 90 dias.
2. **QUEM CONCEDE ESTA GARANTIA (GARANTIDOR):**
Campbell Hausfeld/Scott Fetzer Company, 100 Production Drive, Harrison, Ohio, 45030, Telefone: (800) 543-6400
3. **QUEM RECEBE ESTA GARANTIA (COMPRADOR):** O comprador original (não para objetivo de revenda) do compressor da Campbell Hausfeld.
4. **QUAIS SÃO OS PRODUTOS COBERTOS POR ESTA GARANTIA:** Esta bomba de compressor de ar de estágio único Campbell Hausfeld.
5. **O QUE ESTÁ COBERTO NESTA GARANTIA:** Peças e Mão de obra para consertar defeitos substanciais devido a material ou mão de obra, durante o período específico da garantia, com as exceções notadas abaixo. Apenas peças para remediar defeitos substanciais causados por material e mão-de-obra durante o período restante de cobertura exceto os itens mencionados adiante.
6. **O QUE NÃO ESTÁ COBERTO NESTA GARANTIA:**
 - A. Garantias implícitas, incluindo as de comercialidade e **ADEQUAÇÃO PARA UM OBJETIVO ESPECÍFICO SÃO LIMITADAS A PARTIR DA DATA DA COMPRA ORIGINAL CONFORME DECLARADO NO ITEM "DURAÇÃO"**. Se o compressor for usado para fins comerciais, industriais ou para aluguel, a garantia terá a duração de noventa (90) dias a partir da data de compra. Alguns estados (nos Estados Unidos) não permitem limites referentes ao prazo de duração da garantia implícita, de forma que os limites acima podem não se aplicar no seu caso.
 - B. **QUALQUER PERDA, DANO OU DESPESA INCIDENTAIS, INDIRETOS OU RESULTANTES QUE POSSAM RESULTAR DE QUALQUER DEFEITO, FALHA OU MAU FUNCIONAMENTO DOS PRODUTOS DA CAMPBELL HAUSFELD.** Alguns estados (nos Estados Unidos) não permitem a exclusão ou limite de danos incidentais ou resultantes, de forma que o limite e exclusão acima podem não se aplicar ao seu caso.
 - C. Qualquer falha resultante de acidente, abuso por parte do comprador, negligência ou da não operação do produto de acordo com as instruções no(s) manual(ais) do proprietário que acompanha(m) este compressor.
 - D. Serviço de pré-entrega, ex. montagem, óleo ou lubrificantes e ajustes.
 - E. Itens ou serviços que sejam normalmente exigidos para manter o produto, ex. lubrificantes, filtros, vedação e etc.
 - F. Motores e componentes a gasolina são expressamente excluídos da cobertura de acordo com esta garantia limitada. O comprador deve cumprir com as exigências da garantia fornecida pelo fabricante do motor que acompanha o produto.
 - G. Itens adicionais não cobertos de acordo com esta garantia.
 1. Itens excluídos referentes a Todos os Compressores
 - a. Todos os componentes danificados durante a remessa ou qualquer falha causada pela instalação ou operação da unidade sob condições que não estejam em conformidade com as diretrizes de instalação e operação ou danificados devido a contatos com ferramentas ou arredores.
 - b. Falha da bomba ou válvula causada por chuva, umidade excessiva, ambientes corrosivos ou outros contaminantes.
 - c. Defeitos cosméticos que não interfiram com a funcionalidade do compressor.
 - d. Danos devido à voltagem incorreta ou cabeamento, rotação ou velocidade de rotação inadequados.
 - e. Outros itens não listados mas considerados como peças de desgaste geral.
 - f. Dano causado por manutenção inadequada do filtro.
 2. Compressores lubrificadas
 - a. Desgaste da bomba ou dano das válvulas causados pelo uso de óleo não especificado.
 - b. Desgaste da bomba ou dano das válvulas causados por qualquer contaminação de óleo ou pela não obediência das diretrizes apropriadas da manutenção de óleo.
 - c. Desgaste ou dano à bomba causado por falha em seguir as diretrizes adequadas de lubrificação, operação com óleo abaixo do nível adequado ou operação sem óleo.
 - H. Taxas de serviços, solicitação de serviços ou de transporte após o primeiro ano de propriedade dos compressores fixos. Compressor estacionário definido por não ter alça o rodas.
7. **RESPONSABILIDADES DO GARANTIDOR DE ACORDO COM ESTA GARANTIA:** Consertar ou repor, à escolha do Garantido, o compressor ou componente que esteja defeituoso, com mau funcionamento e/ou que não tenha estado em conformidade dentro da duração do período de garantia específico.
8. **RESPONSABILIDADES DO COMPRADOR DE ACORDO COM ESTA GARANTIA:**
 - A. Fornecer comprovante de compra datado e registros de manutenção.
 - B. Os compressores ou componentes portáteis devem ser entregues ou remetidos ao mais próximo Centro de Serviço Autorizado da Campbell Hausfeld. Os custos de frete, se houver, devem ser por conta do comprador.
 - C. Usar cuidado adequado na operação e manutenção dos produtos conforme descrito no(s) manual(ais) do proprietário.
 - D. Reparos com necessidade de hora extra, taxas de fins de semana ou algo que não esteja incluído na taxa de reembolso padrão para serviços de reparo pelo fabricante.
 - E. Tempo necessário para quaisquer verificações de segurança, treinamento de segurança ou procedimento semelhante ao pessoal de serviços para ter acesso à instalação.
 - F. O local da unidade deve ter espaço adequado para o pessoal de serviços realizar os reparos e deve ser facilmente acessível.
9. **QUANDO O GARANTIDOR IRÁ CONSERTAR OU SUBSTITUIR DE ACORDO COM ESTA GARANTIA:** Consertos ou substituições serão programados e realizados de acordo com o fluxo de trabalho normal no local de conserto e dependendo da disponibilidade da peças de substituição.

Esta garantia limitada é válida somente nos E.U.A., no Canadá e no México e oferece direitos legais específicos. Você pode também ter outros direitos que variam de um estado para outro (nos Estados Unidos), ou de um país para outro.

Por favor lea y guarde estas instrucciones. Léalas cuidadosamente antes de tratar de montar, instalar, operar o dar mantenimiento al producto aquí descrito. Protéjase usted mismo y a los demás observando toda la información de seguridad. ¡El no cumplir con las instrucciones puede ocasionar daños, tanto personales como a la propiedad! Guarde estas instrucciones para referencia en el futuro.



Bombas de compresor de repuesto

Índice

Descripción	19-Sp
Desempaque	19-Sp
Medidas de Seguridad	19-Sp
Informaciones Generales de Seguridad	20-Sp
Ensamblaje	21-Sp
Mantenimiento	21-Sp
Guía de Diagnóstico de Averías	23-Sp
Garantía Limitada	24-Sp

Descripción

Las bombas para compresores de aire lubricadas con aceite de una fase están diseñadas para utilizarse como repuesto en unidades compresoras de aire y como componentes en sistemas compresores de aire diseñados especialmente. Al usarlos para reemplazar el cabezal de un compresor, cerciórese de que el cabezal esté diseñado para la vibración del cabezal original. Estos cabezales están diseñados para suministrarle aire comprimido a herramientas neumáticas y pistolas pulverizadoras. En ciertos casos, deberá proveer tratamientos adicionales para eliminar la humedad atmosférica y los residuos de aceite. Todos los modelos tienen cilindros y caja de cigüeñal de hierro colado sólido, culatas de aluminio y válvulas de acero inoxidable.

⚠ PELIGRO

Advertencia sobre el aire respirable

Este compresor/cabezal NO VIENE listo de fábrica para suministrarle aire respirable y NO SE DEBE usar con este fin. Antes de utilizarlos con este fin, deberá instalarle un sistema de seguridad y alarma incorporado a la línea. Este sistema adicional es necesario para filtrar y purificar el aire adecuadamente, para cumplir con las especificaciones mínimas sobre aire respirable de Grado D descritas en la Especificación de Productos G.7.1.1966 de la Asociación de Gases Comprimidos. Igualmente, deberá cumplir los requisitos establecidos por el Artículo 29 CFR 1910.134 de la Organización norteamericana OSHA y/o la Canadian Standards Associations (CSA).

RENUNCIA A LAS GARANTIAS:

Si el compresor se utiliza para producir aire respirable SIN haberle instalado el sistema de seguridad y alarma, todas las garantías se anularán y la compañía Campbell Hausfeld no asumirá NINGUNA responsabilidad por pérdidas, heridas personales o daños.

Desempaque

Al desempacar este producto, revíselo con cuidado para cerciorarse de que esté en perfecto estado. Cericiórese de apretar todas las conexiones, pernos, etc. antes de comenzar a utilizar la unidad.

⚠ ADVERTENCIA *No debe utilizar la unidad si se ha dañado durante el envío, manejo o uso. Los daños podrían ocasionar una explosión y ocasionarle heridas o daños a su propiedad.*

LEA Y SIGA TODAS LAS INSTRUCCIONES

GUARDE ESTAS INSTRUCCIONES – NO LAS DESECHE

Medidas de Seguridad

Este manual contiene información que es muy importante que sepa y comprenda. Esta información se la suministramos como medida de SEGURIDAD y para EVITAR PROBLEMAS CON EL EQUIPO. Debe reconocer los siguientes símbolos.

⚠ PELIGRO *Ésto le indica que hay una situación inmediata que LE OCASIONARIA la muerte o heridas de gravedad.*

⚠ ADVERTENCIA *Ésto le indica que hay una situación que PODRIA ocasionarle la muerte o heridas de gravedad.*

⚠ PRECAUCION *Ésto le indica que hay una situación que PODRIA ocasionarle heridas no muy graves.*

AVISO *Ésto le indica una información importante, que de no seguirla, le podría ocasionar daños al equipo.*

NOTA: Información que requiere atención especial.

RECORDATORIO: ¡Guarde su comprobante de compra con fecha para fines de la garantía! Adjúntela a este manual o archívela en lugar seguro.


Informaciones Generales de Seguridad

PROPOSICIÓN 65 DE CALIFORNIA

⚠ ADVERTENCIA *Este producto, o su cordón eléctrico, puede contener productos químicos conocidos por el estado de California como causantes de cáncer y defectos de nacimiento u otros daños reproductivos. Lave sus manos después de usar.*

INFORMACIONES GENERALES DE SEGURIDAD

Como el compresor de aire y otros componentes usados (cabezales, pistolas pulverizadoras, filtros, lubricadores, mangueras, etc.), forman parte de un sistema de bombeo de alta presión, deberá seguir las siguientes medidas de seguridad todo el tiempo:

1. Lea con cuidado todos los manuales incluidos con este producto. Familiarícese con los controles y el uso adecuado del equipo. 
2. Siga todos los códigos de seguridad laboral establecidos en su país, por ejemplo, los de la OSHA en EE.UU.
3. Este compresor sólo debe ser usado por personas que estén bien familiarizadas con las reglas de seguridad de manejo.
4. Mantenga a los visitantes alejados y NUNCA permita la presencia de niños en el área de trabajo.
5. Siempre use anteojos de seguridad y protéjase los oídos para operar el cabezal o el compresor.
6. No se encarama sobre el cabezal ni lo use para sostenerse.
7. Antes de cada uso, inspeccione el sistema de aire comprimido, sistema de combustible y los componentes eléctricos para ver si están dañados, deteriorados, desgastados o tienen fugas. Repare o reemplace las piezas dañadas antes de usar el equipo.

8. Chequee todas las conexiones frecuentemente para cerciorarse de que estén bien apretadas.

⚠ ADVERTENCIA

Los motores, equipos eléctricos y controles, pueden ocasionar arcos eléctricos que se encenderían con gases o vapores inflamables. Nunca utilice o repare el compresor cerca de gases o vapores inflamables. Nunca almacene líquidos o gases inflamables cerca del compresor.



⚠ ADVERTENCIA

Nunca utilice el compresor sin la tapa de las bandas. Los compresores se pueden encender automáticamente sin previo aviso. Las piezas en movimiento podrían ocasionarle heridas o daños a su propiedad.



9. No se ponga ropa muy holgada o joyas, ya que éstas se le podrían enredar en las piezas en movimiento.

⚠ PRECAUCION

Las piezas del compresor podrían estar calientes inclusive cuando la unidad esté apagada.



10. Mantenga los dedos alejados del compresor cuando éste esté funcionando; las piezas en movimiento o calientes le ocasionarían heridas y/o quemaduras.
11. Si el equipo comienza a vibrar excesivamente, APAGUE el motor y chequéelo inmediatamente para determinar la razón. Generalmente, la vibración excesiva se debe a una falla.

12. Para reducir el peligro de incendio, mantenga el exterior del motor libre de aceite, solventes o exceso de grasa.

⚠ ADVERTENCIA

Nunca trate de ajustar la válvula de seguridad. Evite que se le acumule pintura u otros residuos.

⚠ PELIGRO

¡Nunca trate de reparar o modificar el tanque! Si lo suelda, taladra o modifica de cualquier otra manera, el tanque se debilitará y se podría dañar al romperse o explotar. Siempre reemplace los tanques desgastados, rotos o dañados.



13. Los tanques se oxidan debido a la acumulación de humedad y esto debilita el tanque. Cerciórese de drenar el tanque con regularidad e inspeccionarlo periódicamente para ver si está en malas condiciones, por ejemplo, si está oxidado.
14. La circulación rápida de aire podría levantar polvo y desperdicios dañinos. Siempre libere el aire lentamente para drenar el tanque o liberar la presión del sistema.
15. Mantenga las mangueras alejadas de objetos afilados, derrames de químicos, solventes de aceite y pisos mojados que podrían dañarlas. No opere el compresor con mangueras dañadas o si éste o algún accesorio se ha caído y/o sufrido averías. En estos casos, notifíquelo el problema al centro de servicio autorizado más cercano para que lo examinen, reparen o ajusten.

⚠ ADVERTENCIA

Nunca use tuberías de plástico (PVC) con aire comprimido. Ésto podría ocasionarle heridas graves.

Ensamblaje

INSTRUCCIONES PARA ENSAMBLAJE

⚠ ADVERTENCIA

Desconecte el cordón eléctrico, amárrelo y aléjelo del tomacorrientes, después libere toda la presión del tanque antes de tratar de instalar el compresor, darle servicio, moverlo de sitio o darle cualquier tipo de mantenimiento.

VOLANTE (SOLO EN EL MODELOS VT2030 Y VT2731)

Coloque el volante en el cigüeñal cerciorandose de que las roscas estén hacia afuera. Apriete el tornillo hasta alcanzar un torque de 19 pies-Lbs en la chaveta. Mantenga el tornillo apretado. Si el volante está flojo escuchará un ruido.



INSTALACIÓN DEL FILTRO DE AIRE

1. Atornille el filtro de entrada en el puerto de entrada roscado de 1/2" NPT del cabezal del compresor.

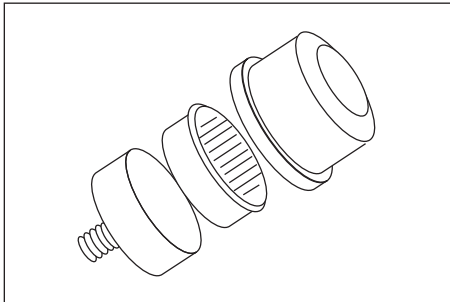


Figura 1 - Filtro de aire

LUBRICACION

⚠ PRECAUCION

¡Esta Unidad no tiene aceite! Siga

las instrucciones de lubricación antes de utilizar el compresor.

Modelo	Capacidad de aceite
VT4700 y VT4800	0,25 L

PARA TODOS LOS MODELOS

Asegúrese de que la extensión de drenaje haya sido instalada (si se incluye), luego retire la varilla de medición/respiración y llene la bomba con aceite. Utilice aceite para compresor de Grado industrial SAE 30 o aceite para motor totalmente sintético como por ejemplo Mobil 1® 10W-30. No utilice aceite automotriz regular como por ejemplo 10W-30.

Vea la forma adecuada de luubricación en la Figura 2.

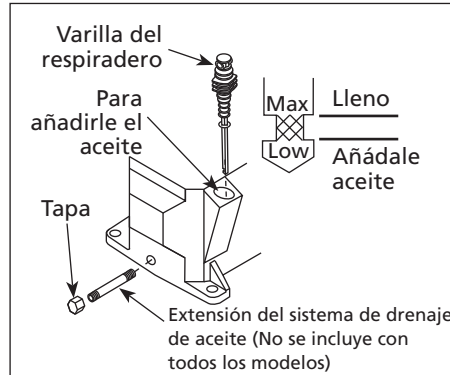


Figura 2 - Llenado de aceite

En las bombas con mirilla de aceite, el nivel de aceite puede verificarse y mantenerse como se indica en le Figura 3.

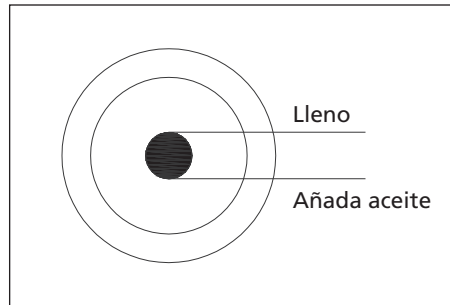


Figura 3

HUMEDAD EN EL AIRE COMPRIMIDO

La humedad que se acumula en el aire comprimido se convierte en gotas a medida que sale del cabezal del compresor de aire. Cuando el nivel de humedad es muy alto o cuando el compresor ha estado en uso continuo por mucho tiempo, ésta se acumulará en el tanque. Al usar una pistola pulverizadora de pintura o una rociadora de arena, la misma saldrá a través de la manguera mezclada con el material que esté rociando.

IMPORTANTE: Esta condensacion ocasionará manchas en la superficie pintada, especialmente cuando esté pulverizando pinturas que no sean a base de agua. Al rociar arena esta ocasionará que la arena se aglutine y obstruya la pistola, reduciendo su eficacia.

Para eliminar este problema, coloque un filtro en la línea de aire, lo más cerca posible de la pistola.

PERIODO DE USO INICIAL

Después de instalar el compresor, encienda el cabezal y déjelo funcionar sin carga (0 PSI) por 30 minutos. Use un regulador de presión y fije la presión a 40 PSI. No le conecte ninguna manguera ni herramienta al compresor y déjelo funcionar por 30 minutos adicionales.

Mantenimiento

⚠ WARNING

Después libere toda la presión del sistema antes de tratar de instalar el compresor,

darle servicio, moverlo de sitio o darle cualquier tipo de mantenimiento.



PARA UN FUNCIONAMIENTO EFICIENTE ANTES DE CADA USO:

1. Chequee el filtro de aire.
2. Mida el nivel de aceite. Si lo usa con un nivel bajo de aceite, el cabezal se dañará rápidamente y durará poco tiempo.

Mantenimiento (Continuación)

TORQUES REQUERIDOS (pulg./lbs.)		
Modelo	Pernos del Compresor	Pernos de los cojinetes
VT Modelos	175-225	50-120

ASISTENCIA TÉCNICA

Para mayor información en relación al funcionamiento o reparación de este producto, comuníquese con el concesionario de Campbell Hausfeld más cercano a su domicilio.

MANTENIMIENTO

Servicio necesario	Diariamente	Semanalmente	Trimestralmente
Mida el nivel de aceite	●		
Drene cualquier tanque utilizado	●		
Chequee el filtro de aire		●	
Cambie el aceite			●

Si no le cambia el aceite en los intervalos indicados el cabezal durará menos tiempo

Notas

Guía de Diagnóstico de Averías

Problema	Posible(s) Causa(s)	Acción a Tomar
Baja presión de salida	<ol style="list-style-type: none"> 1. Fugas de aire 2. Las bandas se deslizan 3. El suministro de aire requerido excede la capacidad del cabezal 4. Empaques dañados 5. Fugas en las válvulas 6. Entrada de aire restringida 7. Baja compresión 	<ol style="list-style-type: none"> 1. Revise a ver si hay fugas de aire. Aplíquelo agua enjabonada en todas las conexiones. Si hay fugas verá burbujas en los puntos donde haya fugas 2. Afloje los pernos del motor y sepárelo del compresor, cerciórese de que la polea del motor esté completamente alineada con el volante. Apriete los pernos. La deflexión de la banda debe ser de una 1/2" (13 mm) cuando se le aplique una fuerza de unas 5 libras (2,27 Kgs). No enrolle las bandas en las poleas 3. Redúzcalo o use un compresor de mayor capacidad de suministro. 4. Reemplace cualquier empaque que esté defectuoso 5. Saque el cabezal e inspecciónelo a ver si las válvulas o bases están rotas o desgastadas. Reemplace las piezas defectuosas y ensamble una vez más <p>▲ PRECAUCION <i>Cada vez que saque el cabezal deberá reemplazar el empaque con uno nuevo</i></p> <ol style="list-style-type: none"> 6. Limpie el elemento del filtro 7. La presión baja puede ser debido a que los anillos y paredes del cilindro estén desgastados. Reemplace los anillos, cilindros y pistones cuando sea necesario
El cabezal se Sobrecalienta y derrite el filtro de aire	<ol style="list-style-type: none"> 1. Las válvulas están rotas o el empaque está dañado 	<ol style="list-style-type: none"> 1. Reemplace la válvula o colóquelo un empaque nuevo
Ruido excesivo (golpeo)	<ol style="list-style-type: none"> 1. El motor o la polea del compresor están flojos 2. La caja del cigüeñal necesita aceite 3. La biela está desgastada 4. Los orificios donde van los pasadores del pistón están desgastados 5. Los cojinetes (baleros) están desgastados 6. El pistón está golpeando la placa de válvula 7. La válvula de chequeo hace mucho ruido 	<ol style="list-style-type: none"> 1. Generalmente, cuando las poleas del motor o compresor están flojas ocasionan este problema. Apriete los pernos de las abrazaderas de las poleas y fije los tornillos 2. Mida el nivel de aceite; si está bajo, chequee los cojinetes (baleros) a ver si se han dañado. El aceite sucio podría ocasionar el desgaste excesivo 3. Reemplácela, mantenga un nivel adecuado de aceite y cámbielo con frecuencia 4. Saque el ensamblaje del pistón del compresor y revíselo a ver si está desgastado. Reemplace aquellas piezas que estén muy desgastadas, mantenga un nivel adecuado de aceite y cámbielo con frecuencia 5. Reemplace los baleros que estén desgastados y cámbiele el aceite 6. Saque el cabezal y la placa de la válvula e inspeccione a ver si hay depósitos de carbón u otras impurezas sobre el pistón. Una vez más coloque el cabezal y la placa de la válvula (use un empaque nuevo) 7. Reemplácela
Aceite excesivo en el aire de descarga. NOTA: En un compresor lubricado con aceite siempre hay una pequeña cantidad de aceite en el flujo de aire.	<ol style="list-style-type: none"> 1. Aros del émbolo desgastados 2. La entrada de aire del compresor está restringida 3. Demasiado aceite en el compresor 4. Viscosidad del aceite equivocada 	<ol style="list-style-type: none"> 1. Reemplácelos con aros nuevos. Mantenga el nivel de aceite y cambie el aceite con más frecuencia. 2. Limpie el filtro. Verifique otras restricciones en el sistema de entrada. 3. Escúrralo hasta que alcance el nivel de lleno. 4. Utilice Mobil 1° 10W-30
Agua en el aire de salida o en el tanque	<ol style="list-style-type: none"> 1. Operación normal. La cantidad de agua aumenta con el clima húmedo 	<ol style="list-style-type: none"> 1. Drene el tanque con más frecuencia. Al menos diariamente. 2. Agregue un filtro

GARANTÍA LIMITADA

1. DURACIÓN: A partir de la fecha de compra por el comprador original tal como se especifica a continuación: 90 días.
 2. QUIEN OTORGA ESTA GARANTÍA (EL GARANTE: Campbell Hausfeld / The Scott Fetzer Company 100 Production Drive, Harrison, Ohio 45030 Teléfono: (800) 543-6400.
 3. QUIEN RECIBE ESTA GARANTÍA (EL COMPRADOR): El comprador original (que no sea un revendedor) del producto Campbell Hausfeld.
 4. PRODUCTOS CUBIERTOS POR ESTA GARANTÍA: Esta bomba compresora de aire Campbell Hausfeld de una fase.
 5. COBERTURA DE LA GARANTÍA: Las piezas y la mano de obra para remediar defectos importantes debido al material y a la mano de obra durante el período específico de la garantía con las excepciones que se detallan a continuación. Piezas solamente para remediar defectos importantes debidos a material y mano de obra durante el tiempo de cobertura que quede con las excepciones indicadas a continuación.
 6. LO QUE NO ESTÁ CUBIERTO POR ESTA GARANTÍA:
 - A. Las garantías implícitas, incluyendo aquéllas de comerciabilidad e IDONEIDAD PARA FINES PARTICULARES, ESTÁN LIMITADAS A PARTIR DE LA FECHA DE COMPRA ORIGINAL DE ACUERDO CON LO ESPECIFICADO EN EL PÁRRAFO DE DURACIÓN. Si el compresor de aire es empleado para uso comercial, industrial o para renta, la garantía será aplicable por noventa (90) días a partir de la fecha de compra. En algunos estados no se permiten las limitaciones a la duración de una garantía implícita, por lo cual las limitaciones antedichas pueden no ser aplicables en su caso.
 - B. CUALQUIER PÉRDIDA DAÑO INCIDENTAL, INDIRECTO O CONSECUENTE QUE PUEDA RESULTAR DE UN DEFECTO, FALLA O MALFUNCIONAMIENTO DEL PRODUCTO CAMPBELL HAUSFELD. En algunos estados no se permite la exclusión o limitación de daños incidentales o consecuentes, por lo tanto, en tales casos esta limitación o exclusión no es aplicable
 - C. Cualquier falla que resulte de un accidente, abuso, negligencia o incumplimiento de las instrucciones de funcionamiento y uso indicadas en el (los) manual(es) que se adjunta(n) al compresor.
 - D. Servicio previo a la entrega, p. ej. ensamblado, aceite o lubricantes y ajuste.
 - E. Artículos o servicio que se requieren normalmente para mantener el producto, p. ej. lubricantes, filtros y juntas, etc.
 - F. Los motores de gasolina están específicamente excluidos de la cobertura de esta garantía limitada. El comprador debe seguir las cláusulas de la garantía otorgada por el fabricante del motor de gasolina que se suministra con el producto.
 - G. Artículos adicionales no cubiertos bajo esta garantía:
 1. Piezas excluidas que pertenecen a Todos los Compresores
 - a. Cualquier componente dañado durante el envío o cualquier daño ocasionado por haber instalado u operado la unidad bajo condiciones contrarias a lo indicado en las instrucciones para instalar u operar la unidad o daños ocasionados por el contacto con herramientas o los alrededores.
 - b. Daños del cabezal o las válvulas ocasionados por la lluvia, humedad excesiva, agentes corrosivos u otros contaminantes.
 - c. Daños de apariencia que no afecten el funcionamiento del compresor.
 - d. Daño debido a voltaje incorrecto, cableado inadecuado, rotación o velocidad de rotación.
 - e. Otros artículos no enumerados pero considerados de desgaste general.
 - f. Daño por mantenimiento inadecuado del filtro.
 2. Compresores lubricados
 - a. Daños del cabezal o las válvulas debidos al uso de aceites no especificados.
 - b. Daños del cabezal o las válvulas debidos a cualquier contaminación del aceite o por no haber seguido las instrucciones de lubricación.
 - c. Desgaste o daño de la bomba causados por el no haber aplicado apropiadamente los criterios de mantenimiento en referencia al aceite, funcionamiento con nivel de aceite por debajo del nivel apropiado o funcionamiento sin aceite.
 - H. Mano de obra, llamadas de servicio o cargos por concepto de transporte después del primer año de propiedad de compresores estacionarios. Los compresores estacionarios se identifican por no tener asidero o ruedas.
 7. RESPONSABILIDADES DEL GARANTE BAJO ESTA GARANTÍA: Según elija el Garante, la reparación o el reemplazo del compresor o componente que esté defectuoso, haya funcionado en forma inadecuada y/o que no haya cumplido con su función dentro de la duración del período específico de la garantía.
 8. RESPONSABILIDADES DEL COMPRADOR BAJO ESTA GARANTÍA:
 - A. Suministrar prueba fechada de compra y la historia de mantenimiento del producto.
 - B. Entregar o enviar los compresores de aire portátiles o componentes al Centro de Servicio autorizado Campbell Hausfeld más cercano. Los gastos de flete, de haberlos, deben ser pagados por el comprador.
 - C. Tener cuidado al utilizar el producto, tal como se indica(n) en el (los) manual(es) del propietario.
 - D. Reparaciones que requieran tiempo adicional al horario normal de trabajo, o cualquier asunto que exceda la tarifa normal de reembolso por mano de obra para reparaciones bajo la garantía del fabricante.
 - E. El tiempo requerido por cualquier control de seguridad, capacitación relacionada con seguridad, o asuntos similares necesarios para que el personal de servicio pueda tener acceso a las instalaciones.
 - F. La ubicación de la unidad debe tener espacio suficiente para que el personal de servicio pueda realizar reparaciones y debe ser fácilmente accesible.
 9. CUÁNDO EFECTUARÁ EL GARANTE LA REPARACIÓN O REEMPLAZO CUBIERTO BAJO ESTA GARANTÍA: La reparación o reemplazo dependerá del flujo normal de trabajo del centro de servicio y de la disponibilidad de repuestos. Esta garantía limitada es válida sólo en los EE.UU., Canadá y México y otorga derechos legales específicos. Usted también puede tener otros derechos que varían de un Estado a otro. o de un país a otro.
-