


Shielded Metal Arc Welder

ANSI Standard Z49.1 - Safety in Welding and Cutting. This publication may be ordered from the American Welding Society, 550 NW. LeJune Rd., Miami, FL 33135.

- All installation, maintenance, repair and operation of this equipment should be performed by qualified persons only in accordance with national, state, and local codes.

WARNING *Improper use of electric arc welders can cause electric shock, injury, and death! Take all precautions described in this manual to reduce the possibility of electric shock.*



- Verify that all components of the arc welder are clean and in good condition prior to operating the welder. Be sure that the insulation on all cables, electrode holders, and power cords is not damaged. Always repair or replace damaged components before operating the welder. Always keep welder panels, shields, etc. in place when operating the welder.

- Always wear dry protective clothing and welding gloves, and insulated footwear.
- Always operate the welder in a clean, dry, well ventilated area. Do not operate the welder in humid, wet, rainy, or poorly ventilated areas.

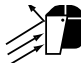
- Be sure that the work piece is properly supported and grounded prior to beginning any electric arc welding operation.
- Coiled welding cable should be spread out before use to avoid overheating and damage to insulation.

DANGER *Never immerse the electrode or electrode holder in water. If the welder becomes wet for any reason, be absolutely certain that it is completely clean and dry prior to attempting use!*

- Always shut the equipment off and unplug the power prior to moving the unit.
- Always attach the ground lead first.


- Verify that the work piece is securely grounded.
- Always shut off electric arc welding equipment when not in use and remove the electrode from the holder.
- Never allow any part of the body to touch the electrode and ground or grounded work piece at the same time.
- Awkward welding conditions and positions can be electrically hazardous. When crouching, kneeling or at elevations, be sure to insulate all conductive parts, wear appropriate protective clothing, and take precautions to prevent injury from falls.
- Never attempt to use this equipment at current settings or duty cycles higher than those specified on the equipment labels.
- Never use an electric arc welder to thaw frozen pipes.

WARNING *Flying sparks and hot metal can cause injury. As welds cool, slag can be thrown off. Take all precautions described in this manual to reduce the possibility of injury from flying sparks and hot metal.*



- Wear ANSI approved face shield or safety glasses with side shield protection when chipping or grinding metal parts.
- Wear ear plugs when welding overhead to prevent spatter or slag from falling into ears.

WARNING *Electric arc welding operations produce intense light and heat and ultraviolet (UV) rays. This intense light and UV rays can cause injury to eyes and skin. Take all precautions described in this manual to reduce the possibility of injury to eyes and skin.*




- All persons operating this equipment or in the area while equipment is in use must wear protective welding gear including: welding helmet or shield with proper shade as specified in the

following chart, flame resistant clothing, leather welding gloves, and full foot protection.

Current (Amps)	Filter Shade
Up To 160 Amps	10
160 To 250 Amps	12

WARNING *Never look at arc welding operations without eye protection as described above. Never use a shade filter lens that is cracked, broken, or rated below number 10. Warn others in the area not to look at the arc.*

WARNING *Electric arc welding operations cause sparks and heat metal to temperatures that can cause severe burns! Use protective gloves and clothing when performing any metal working operation. Take all precautions described in this manual to reduce the possibility of skin and clothing burns.*



- Make sure that all persons in the welding area are protected from heat, sparks, and ultraviolet rays. Use additional face shields and flame resistant barriers as needed.
- Never touch work pieces until completely cooled.

WARNING *Heat and sparks produced during electric arc welding and other metal working operations can ignite flammable and explosive materials! Take all precautions described in this manual to reduce the possibility of flames and explosions.*



- Remove all flammable materials within 35 feet (10.7 meters) of welding arc. If removal is not possible, tightly cover flammable materials with fire proof covers.
- Do not operate any electric arc welder in areas where flammable or explosive vapors may be present. Take precautions to be sure that flying sparks and heat do not cause flames in hidden areas, cracks, behind bulkheads, etc.

Glosario de Terminología usada por soldadores

CA o Corriente Alterna - corriente eléctrica que cambia de dirección periódicamente. Corriente de 60 ciclos se desplaza en ambas direcciones 60 veces por segundo.

Longitud del Arco - la distancia entre el extremo del electrodo y el punto de contacto con la superficie de trabajo.

Metal Básico - el material que se va a soldar.

Unión a tope - la unión de dos miembros alineados aproximadamente en el mismo plano.

Cráter - el vacío que se forma cuando el arco hace contacto con el metal básico.

CD o Corriente Directa - corriente eléctrica que se desplaza en un sólo sentido. La polaridad (+ o -) determina el sentido del desplazamiento.

CD Polaridad Reversa - ocurre cuando el portaelectrodo está conectado al polo positivo de la soldadora. Esta técnica dirige más calor para derretir el electrodo en vez de la pieza de trabajo. Generalmente esta técnica se usa con piezas delgadas.

CD Polaridad Directa - ocurre cuando el portaelectrodo está conectado al polo negativo de la soldadora. Con esta técnica la mayoría del calor se dirige a la pieza de trabajo para lograr una mayor penetración en piezas gruesas.

Electrodo - un alambre de metal con una capa que tiene aproximadamente la misma composición del material que se va a soldar.

Soldadura de Filete - soldadura triangular, para unir dos superficies en ángulo recto, en T o en las esquinas.

Fundente - un material, que al calentarse, emite un gas que cubre el área donde va a soldar. Este gas protege los metales que va a soldar contra las impurezas presentes en el aire.

Soldar con Arcos de Fundente - también se conoce como soldar sin gas, esta técnica para soldar usa una soldadora con alambre. El alambre es tubular y lleno de fundente.

Soldar con Arcos de Metal Gaseoso - es un proceso para soldar usado con una soldadora con alambre. El alambre es sólido y se usa un gas inerte.

Soldar con Arcos de Tungsteno - es un proceso para soldar usado con soldadoras con generadores de alta frecuencia. El arco se crea con un electrodo no-consumible de tungsteno. No necesariamente se usa metal de relleno.

Unión de superposición - la unión de dos miembros superpuestos en planos paralelos.

Voltaje de circuito abierto - el voltaje entre el electrodo y la pinza de conexión a tierra de la soldadora cuando no hay flujo de corriente (no se está soldando). Esto determina la rapidez con que se enciende el arco.

Sobremonta - ocurre si el amperaje es demasiado bajo. En este caso, el metal derretido se cae del electrodo sin haberse unido al metal básico.

Porosidad - cavidad que se forma durante la solidificación del área soldada. Las porosidades debilitan la unión.

Penetración - la profundidad que el arco se penetra dentro de la pieza de trabajo durante el proceso de soldar. Para soldar bien se debe lograr 100% de penetración, es decir todo el grosor de la pieza de trabajo se debe derretir y solidificar. El área afectada por el calor se debe ver fácilmente desde el otro lado.

Soldar con arcos protegidos - es un proceso de soldar que usa un electrodo consumible para sostener el arco. La protección se logra al derretir el fundente del electrodo.

Escoria - una capa de residuo de fundente que protege la unión de óxidos y otros contaminantes mientras los metales se solidifican (enfrian). Esta se debe limpiar una vez que el metal se haya enfriado.

Salpiqueo - las partículas de metal que salpican durante el proceso de soldar y que se solidifican en la superficie de trabajo.

Esto se puede minimizar al rociar un repelente adecuado antes de comenzar a soldar.

Soldadura de puntos - una unión hecha para mantener las piezas alineadas hasta que se haya completado el proceso de soldar.

Angulo de desplazamiento - el ángulo del electrodo con respecto a la línea a soldar. Este varía entre los 5° y 45° según sean las condiciones.

Unión en T - es la unión del borde de una pieza de metal con la superficie de otra en un ángulo de 90°.

Socavación - el resultado de soldar con un amperaje demasiado alto. Esto ocasiona ranuras en ambos lados de la reborde que reduce la resistencia de la unión.

Sedimento - el volumen de metal derretido al soldar antes de que se solidifique como metal soldado.

Reborde - una capa delgada o capas de metal depositado en el metal básico cuando el electrodo se derrite. Generalmente su grosor es el doble del diámetro del electrodo.

Angulo de trabajo - el ángulo del electrodo con respecto a la línea horizontal, medido en ángulos rectos a la línea de soldar.

Modelo WS2800

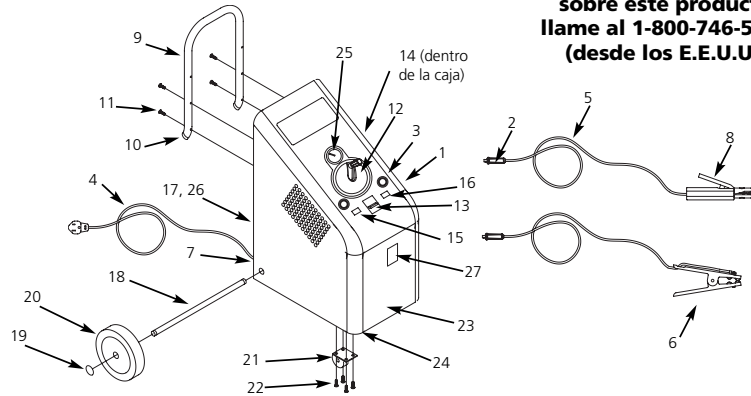


Figura 16 - Repuestos

Lista de Repuestos

No. de Ref.	Descripción	Número	Ctd.
1	Etiquetas de Advertencia ▲	DK683400AV	1
2	Conector Dinse	WC000200AV	1
3	Enchufe Dinse	WC000300AV	2
4	Cordón de energía – 230V, 50A (NEMA 6-50P), 7 pies (213 cm), 12AWGX3C, Tipo SJT	*	1
5	Cable de soldar – 5 AWG (15mm ²) x 10 pies (305 cm)	WC000800AV	2
6	Pinza de trabajo – 250A	WC100100AV	1
7	Liberador de tensión ▲	WC102400AV	1
8	Portaelectrodo – 300A	WC200200AV	1
9	Mango	WC301600AV	1
10	Tapón del tubo – 9,94" (24mm) OD	WC301601AV	2
11	Tornillo de la máquina – M4-0,7 X 35 mm (Mango)	*	4
12	Manivela, Juego de (incluye manivela, perilla, perno, arandelas y tuerca)	WC302300SJ	1
13	Interruptor de energía	WC402400AV	1
14	Interruptor térmico ▲	WC402500AV	1
15	Luz indicadora – Verde	WC402600AV	1
16	Luz indicadora – Amarilla	WC402700AV	1
17	Ventilador ▲	WC402800AV	1
18	Eje	WC704300AV	1
19	Contratuercas	WC704301AV	2
20	Rueda	WC704400AV	2
21	Rueda giratoria	WC704500AV	2
22	Tornillo de la máquina – M4-0,7 X 10 mm (Rueda giratoria)	*	8
23	Puerta	WC705100AV	1
24	Pasador de la bisagra ▲	WC705300AV	2
25	Puntero del medidor	WC705500AV	1
26	Rejilla del ventilador	WC706200AV	1
27	Pasador de la puerta	WC706300AV	1
28	Lentes de soldar – Oscuros 10, 2x4-1/4" (51x108mm) ▲	WC801100AV	1
29	Protector manual ▲	WC801300AV	1
30	Martillo/cepillo cincelador ▲	WC803000AV	1

* Piezas estándar, disponibles en su tienda local de venta de ferretería o suministros de soldar.

▲ No se muestra

Para mayor información sobre este producto llame al 1-800-746-5641 (desde los E.E.U.U.)

Model WS2800

▲WARNING Fire hazard!
Do not weld on containers or pipes that contain or have contained flammable materials or gaseous or liquid combustibles.

▲WARNING Arc welding
closed cylinders or containers such as tanks or drums can cause explosion if not properly vented! Verify that any cylinder or container to be welded has an adequate ventilation hole, so that expanding gases can be released.

▲WARNING Do not breathe fumes that are produced by the arc welding operation. These fumes are dangerous. If the welding area cannot be adequately ventilated, be sure to use an air-supplied respirator.

- Keep the head and face out of the welding fumes.
- Do not perform electric arc welding operations on metals that are galvanized or cadmium plated, or contain zinc, mercury, or beryllium without completing the following precautions:
 - Remove the coating from the base metal.
 - Make sure that the welding area is well ventilated.
 - Use an air-supplied respirator.
 Extremely toxic fumes are created when these metals are heated.

▲WARNING The electro-magnetic field that is generated during arc welding may interfere with the operation of various electrical and electronic devices such as cardiac pacemakers. Persons using such devices should consult with their physician prior to performing any electric arc welding operations.

- Route the electrode and work cables together and secure with tape when possible.
- Never wrap arc welder cables around the body.
- Always position the electrode and ground leads so that they are on

the same side of the body.

- Exposure to electromagnetic fields during welding may have other health effects which are not known.

▲WARNING Always be sure that the welding area is secure and free of hazards (sparks, flames, glowing metal or slag) prior to leaving. Be sure that equipment is turned off and electrode is removed. Be sure that cables are loosely coiled and out of the way. Be sure that all metal and slag has cooled.

▲WARNING

- This product, when used for welding, produces fumes or gases which contain chemicals known to the State of California to cause birth defects (or other reproductive harm) and, in some cases, cancer (California Health & Safety Code Section 25249.5 et seq.).
- To request Material Safety Data Sheet (MSDS), visit the Internet at www.chpower.com or call 1-800-746-5641.

ADDITIONAL SAFETY STANDARDS

ANSI Standard Z49.1 from American Welding Society, 550 N.W. LeJune Rd. Miami, FL 33126

Safety and Health Standards

OSHA 29 CFR 1910, from Superintendent of Documents, U.S. Government Printing Office, Washington, D.C. 20402

National Electrical Code

NFPA Standard 70, from National Fire Protection Association, Batterymarch Park, Quincy, MA 02269

Safe Handling of Compressed Gases in Cylinders

CGA Pamphlet P-1, from Compressed Gas Association, 1235 Jefferson Davis Highway, Suite 501, Arlington, VA 22202

Code for Safety in Welding and Cutting

CSA Standard W117.2, from Canadian Standards Association, Standards Sales, 178 Rexdale Boulevard, Rexdale, Ontario, Canada M9W 1R3

Cutting And Welding Processes

NFPA Standard 51B, from National Fire Protection Association, Batterymarch

Park, Quincy, MA 02269

Safe Practices For Occupational And Educational Eye And Face Protection

ANSI Standard Z87.1, from American National Standards Institute, 1430 Broadway, New York, NY 10018

Refer to the Material Safety Data Sheets and the manufacturers instructions for metals, electrodes, coatings and cleaners.

Installation

LOCATION

Selecting the proper location can significantly increase performance, reliability and life of the arc welder.

- For best results locate the welder in an environment that is clean and dry. Avoid locations exposed to high temperature, high humidity, dust and corrosive fumes. High humidity causes moisture condensation on electrical components. Moisture can contribute to corrosion and short electrical components. Dust and dirt in the welder retain moisture and increase wear of moving parts.
- Place the welder in an area that provides at least twelve inches (305 mm.) of ventilation space at both the front and rear of the unit. Keep all obstructions away from this ventilation space.
- Store electrodes in a clean, dry location with low humidity, such as WT2240 Electrode Container, to preserve the flux coating.
- The welder control panel contains information regarding proper input voltage and amperage. Follow the specifications on the welder front panel.
- The receptacle used for the welder must be properly grounded and the welder must be the only load on the power supply circuit. Refer to the Circuit Amps chart under Specifications for correct circuit capacity.
- The use of an extension cord is not recommended for electric arc welding machines. The voltage drop in the extension cord may significantly degrade the performance of the welder.

Shielded Metal Arc Welder

HANDLE ASSEMBLY (See Figure 2)

1. Fasten end caps onto handle.
2. Handle may be attached in two positions (high or low). Using the four screws and washers provided, attach the handle to the back of the case.

WHEEL ASSEMBLY (See Figure 2)

1. Slide the axle through the holes in the sides of the case.
2. Slide the wheels onto the axle and lightly tap the pal-nuts into place on the axle grooves.

CASTER ASSEMBLY (See Figure 2)

1. Using the eight screws and washers provided, attach the casters to the bottom of the case.

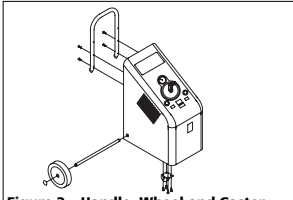


Figure 2 - Handle, Wheel and Caster Assembly

DINSE PLUG ASSEMBLY (See Figure 3)

1. Strip 1/2" of insulation from the end of the welding cable opposite the crimped connectors.
2. Insert this end of the welding cable through the dinse plug boot and slide the bare wire into the copper sleeve.
3. Insert the welding cable/copper sleeve assembly into the back of the dinse plug.
4. Tighten the setscrew, securing the cable in place.
5. Slide the boot over the hex portion of the dinse plug.
6. Repeat for the other lead.

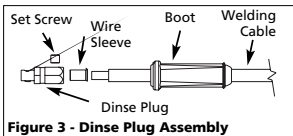


Figure 3 - Dinse Plug Assembly

WORK CLAMP ASSEMBLY (See Figure 4)

1. Remove one hex nut from work

clamp.

2. Slide welding cable with ring connector through hole in work clamp.
3. Attach ring connector to work clamp with hex nut removed in step 1.

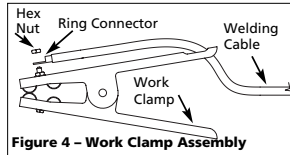


Figure 4 - Work Clamp Assembly

ELECTRODE HOLDER ASSEMBLY (See Figure 5)

1. Loosen the handle setscrew in the electrode holder a few turns. **Do not remove this setscrew completely.** Remove the insulated handle and slide it over the end of the welding cable with the crimped sleeve.
2. Loosen the cable setscrew in the bottom of the brass body of the electrode holder.
3. Slide the welding cable/crimped sleeve into the back of the brass body, aligning the flat side of the crimped connector with the face of the cable setscrew.
4. Tighten the cable setscrew to securely hold the welding cable/crimped sleeve.
5. Slide the insulated handle onto the electrode holder and tighten the handle setscrew. **Do not overtighten this setscrew. Overtightening will damage the insulated handle.**

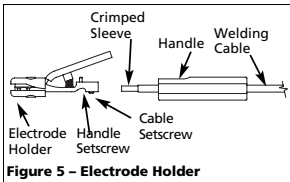


Figure 5 - Electrode Holder

HAND SHIELD ASSEMBLY (See Figures 6 & 7)

1. Cut retainer stiffeners and detachable handle away from shield.
2. Insert the filter lens.

3. Attach the stiffeners over the pins on the lens retainers.
4. To attach the handle, place shield on a flat surface and press handle into place.

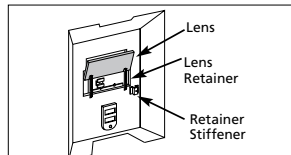


Figure 6 - Hand Shield

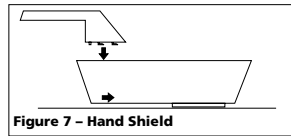


Figure 7 - Hand Shield

WELDING HELMET ASSEMBLY (Promotional Models Only)

MODEL WT1000 (See Figure 8)

1. Remove the lens retainer from the face shield with a regular screwdriver by prying against the shield and post of the lens retainer.
2. Remove the protective film covering from both sides of each lens cover. Put one clear lens cover on each side of the shaded lens. Place these three lenses together into the face shield and secure with the lens retainer. The lens retainer should snap into the second notch in the face shield.
3. Position one of the holes in the adjustment arm over the pins which are located in the ear area of the face shield. These adjustment arms control the closeness of fit and can be easily repositioned if necessary.
4. Position the headgear inside the face shield. Assemble the helmet by inserting the stud screw through the headgear and shield into the tension nut as shown. Do not tighten tension nut completely.
5. Trial fit the welding helmet. Adjust headgear ratchet band to a comfortable position and lower the

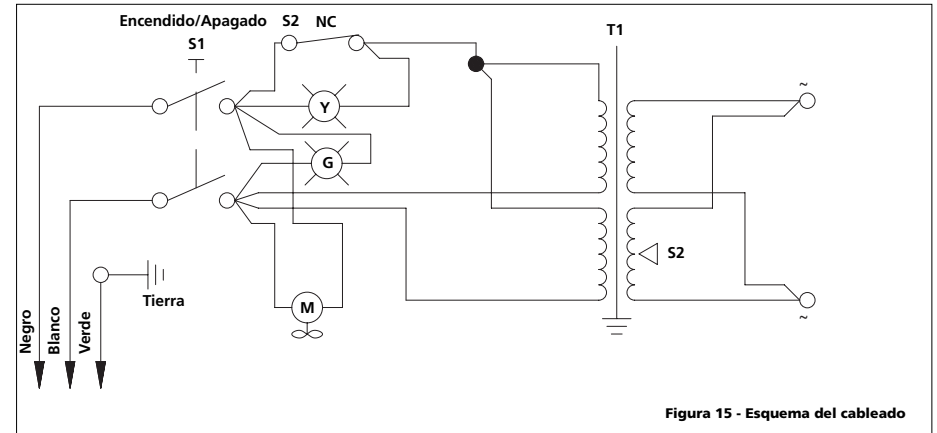


Figura 15 - Esquema del cableado

Garantía Limitada 5-3-1

1. Duración: El fabricante garantiza que reparará, sin costo alguno por repuestos o mano de obra la soldadora o la pistola o los cables que estén dañados bien en material o mano de obra, durante los siguientes periodos después de la compra original:

Por 5 años: El transformador y rectificador de la soldadora

Por 3 años: Toda la soldadora (se excluyen: pinzas, pistola, portaelectrodos, cables, o accesorios que vienen con la soldadora)

Por 1 año: Pinzas, Pistola, Portaelectrodo, Accesorios y Cable para Soldar (de haberlos)

2. QUIEN OTORGA ESTA GARANTIA (EL GARANTE):

Campbell Hausfeld
The Scott Fetzer Company
100 Production Drive
Harrison, OH 45030
Teléfono: (513)-367-4811

3. BENEFICIARIO DE ESTA GARANTIA (EL COMPRADOR):

El comprador original del producto Campbell Hausfeld. La garantía cubre la soldadora, el transformador y rectificador, la pistola o el portaelectrodo y los cables solamente.

5. Lo que no está cubierto por esta garantía:

A. Las garantías implícitas, incluyendo las garantías de comercialidad y conveniencia para un fin particular SON LIMITADAS A LA DURACION EXPRESA DE ESTA GARANTIA. Después de este periodo, todos los riegos de pérdida, por cualquier razón, serán la responsabilidad del propietario del producto. En algunos estados no se permiten limitaciones a la duración de las garantías implícitas, por lo tanto, en tal caso esta limitación o exclusión no es aplicable.

B. CUALQUIER PERDIDA, DAÑO INCIDENTAL, INDIRECTO O CONSECUENTE O GASTO QUE PUEDA RESULTAR DE UN DEFECTO, FALLA O MAL FUNCIONAMIENTO DEL PRODUCTO CAMPBELL HAUSFELD. En algunos estados no se permite la exclusión o limitación de daños incidentales o consecuentes, por lo tanto, en tal caso esta limitación o exclusión no es aplicable.

C. Esta garantía no cubre aquellos accesorios que se desgastarán con el uso normal del producto; la reparación o reemplazo de los mismos será la responsabilidad del propietario. Ejemplos de los productos de desgaste por el uso son (lista parcial): Bqouillas de contacto, boquillas, forros internos de la pistola, bobinas, felpa para limpiar el alambre. Además, esta garantía no cubre daños que ocurran al reemplazar o darle servicio a las piezas arriba enumeradas.

D. Cualquier falla que resulte de un accidente, abuso, negligencia o incumplimiento de las instrucciones de funcionamiento y uso indicadas en el(los) manual(es) que se adjuntan al producto.

E. Servicio antes de entrega, por ejemplo ensamblaje y ajustes.

7. Responsabilidades del Garante bajo esta Garantía: Reparar o reemplazar, como lo decida el garante, los productos o componentes defectuosos durante el periodo de validez de la garantía.

8. Responsabilidades del Comprador bajo esta Garantía:

A. Entregar o enviar el producto o componente a Campbell Hausfeld. Los gastos de flete, si los hubiere, deben ser pagados por el comprador.

B. Ser cuidadoso con el funcionamiento del producto, como se indica en el(los) manual(es) del propietario.

9. Normal efectuará el garante la reparación o reemplazo cubierto bajo esta garantía: La reparación o reemplazo dependerá del flujo normal de trabajo del centro de servicio y de la disponibilidad de repuestos.

Esta garantía limitada le otorga derechos legales específicos y usted también puede tener derechos que varían de un estado a otro.

DIAGNOSTICO DE AVERIAS		
Problema	Posibles Causas	Acción a tomar
La soldadora no hace ruido al encenderla (La luz verde no está así)	<ol style="list-style-type: none"> 1. No hay corriente en el tomacorrientes 2. El cordón eléctrico está roto o dañado 	<ol style="list-style-type: none"> 1. Chequee el fusible o el cortacircuito 2. Debe darle servicio
La soldadora hace ruido pero no suelda	<ol style="list-style-type: none"> 1. La electricidad en el electrodo no es la adecuada 2. Hay conexiones mal hechas en la soldadora 	<ol style="list-style-type: none"> 1. Chequee la pinza de conexión a tierra, el cable y la conexión a la pieza. Chequee el cable del electrodo y la pinza. 2. Chequee todas las conexiones externas de la soldadora
La soldadora le da corrientosas	<ol style="list-style-type: none"> 1. Contacto accidental con la pieza de trabajo 2. Hay transmisión de corriente debido a la humedad en la ropa o el área de trabajo 	<ol style="list-style-type: none"> 1. Evite hacer contacto con la pieza de trabajo 2. Cerciórese de que la ropa y el área de trabajo estén secas
La soldadora se sobrecalienta - se queman los fusibles o el cortacircuito se activa	<ol style="list-style-type: none"> 1. Uso de un cordón de extensión 2. El diámetro del electrodo es muy grande 3. El circuito está sobrecargado 	<ol style="list-style-type: none"> 1. Si es posible, reubique la soldadora para evitar el uso de cordones de extensión. Si no la puede reubicar, use un cordón de extensión más grueso (de un número más bajo) 2. Use un electrodo de un diámetro más pequeño 3. La soldadora requiere una línea exclusiva
Se le dificulta encender el arco	<ol style="list-style-type: none"> 1. El diámetro del electrodo es muy grande 2. La pieza de trabajo no está conectada a tierra adecuadamente. 3. El voltaje se ha reducido debido a carga excesiva 	<ol style="list-style-type: none"> 1. Use un electrodo de un diámetro más pequeño 2. Cerciórese de que la conexión a tierra es adecuada (no hay pintura, barniz u óxido) 3. Conecte la soldadora a una línea exclusiva
Reborde es muy delgado en algunos sitios	<ol style="list-style-type: none"> 1. La velocidad de desplazamiento varia 2. El nivel del amperaje es muy bajo 	<ol style="list-style-type: none"> 1. Disminuya y mantenga la velocidad de desplazamiento 2. Debe aumentarlo o usar un electrodo de un diámetro más pequeño
Reborde es muy grueso en algunos sitios	<ol style="list-style-type: none"> 1. La velocidad de desplazamiento varia o es muy lenta 2. El nivel del amperaje es muy alto 	<ol style="list-style-type: none"> 1. Debe aumentarla y mantenerla constante 2. Debe bajarlo
Los bordes de la soldadura están disperejos	<ol style="list-style-type: none"> 1. La velocidad de desplazamiento es muy rápida 2. El arco es muy corto 3. El nivel del amperaje es muy alto 	<ol style="list-style-type: none"> 1. Debe reducirla 2. Debe aumentarlo 3. Debe bajarlo
El reborde no penetra el metal básico	<ol style="list-style-type: none"> 1. La velocidad de desplazamiento varia 2. El nivel del amperaje es muy bajo 	<ol style="list-style-type: none"> 1. Debe reducirla y mantenerla constante 2. Debe aumentarlo
El electrodo se pega a la pieza de trabajo	El electrodo está en contacto con la pieza de trabajo cuando el arco está encendido	Mantenga el electrodo a la distancia adecuada tan pronto haya encendido el arco
El electrodo salpica y se pega	Los electrodos están húmedos	Use electrodos secos y siempre almacene los electrodos en un sitio seco

Para mayor información sobre este producto llame al 1-800-746-5641 (desde los E.E.U.U.)

Model WS2800

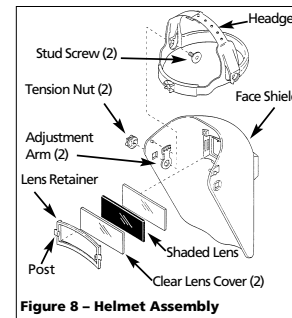


Figure 8 - Helmet Assembly

face shield. If the shield is too far or too close to the face, use a different hole in the adjustment arm. Adjust the tension nuts so that helmet can be easily lowered over the face by nodding the head.

Operation

1. Be sure to read, understand, and comply with all precautions in the General Safety Information section. Be sure to read the entire section entitled Welding Guidelines prior to using this equipment.
2. Turn welder off and plug into appropriate receptacle: 230v-50 amp
3. Verify that the surfaces of metals to be joined are free from dirt, rust, paint, oil, scale or other contaminants. These contaminants make welding difficult and cause poor welds.

WARNING All persons operating this equipment or in the area while equipment is in use must wear protective welding gear including: eye protection with proper shade, flame resistant clothing, leather welding gloves, and full foot protection.

WARNING If heating, welding, or cutting materials that are galvanized, zinc plated, lead, or cadmium plated refer to the General Safety Information Section for instructions. Extremely toxic fumes are created when these metals are heated.

4. Connect the ground clamp to the work piece or workbench (if metal). Make sure the contact is secure, and not obstructed by paint, varnish, corrosion, or non-metallic materials.
5. Insert the exposed part of the electrode (the end with no flux) into the jaws of the electrode holder.
6. Set the amperage adjustment knob to the proper amperage for the electrode diameter. Refer to the following chart for proper electrode current settings.

Electrode Diameter	Current Setting (Amps)
3/32" (2.5 mm)	60-110
1/8" (3.2 mm)	110-160
5/32" (4.0 mm)	150-230

WARNING The electrode holder and rod are electrically "hot" (have current potential) when the welder is on. Grounding against any metallic surface may produce an arc which could cause sparks and damage eyesight.

7. Hold the electrode and holder away from the grounded work piece or workbench. Turn on the welder. A green light is illuminated when the welder power is on.
8. Position the electrode to begin weld, lower the welding helmet or position the hand shield, and strike an arc. Adjust weld amperage as needed.
9. When finished welding, turn welder off and store properly.

Duty Cycle / Thermostatic Protection

Welder duty cycle is the percentage of actual weld time that can occur in a ten minute interval. For example, at a 10% duty cycle, actual welding can occur for one minute, then the welder must cool for nine minutes.

Internal components of this welder are protected from overheating with an automatic thermal switch. A yellow lamp is illuminated on the control panel

if the duty cycle is exceeded. Welding operations may continue when the yellow lamp is no longer illuminated.

Maintenance

WARNING Disconnect power supply and turn machine off before inspecting or servicing any components.

Before every use:

1. Check condition of weld cables and immediately repair or replace any cables with damaged insulation.
2. Check condition of power cord and immediately repair or replace any cord if damaged.
3. Check condition of electrode holder insulating pieces and immediately replace cracked or missing insulators. Verify that all fasteners are tight and insulated.

WARNING Do not operate this welding machine with cracked or missing insulation on welding cables, electrode holder, or power cord.

Every 3 months:

Replace any unreadable labels on the welder. Use compressed air to blow all dust and lint from the ventilation openings.

Welding Guidelines

General

This line of welding machines utilizes a process known as Shielded Metal-Arc Welding (SMAW). This process is used to bond metals by heating them with an electric arc created between the electrode and the work piece.

Electrodes used for shielded metal arc welding have two parts. The inner core is a metal rod or wire that should be similar in composition to the base metal. The outer coating is called flux. Various types of flux exist. Each coating is used for a particular welding situation.

While the metal is molten, it can be contaminated by elements in the air. This contamination could weaken the weld. The flux coating creates a protective barrier called slag that protects the molten metal from contaminants.

Shielded Metal Arc Welder

When current (amperage) flows through the circuit to the electrode, an arc is formed between the end of the electrode and the work piece. The arc melts the electrode and the work piece. The melted metal of the electrode flows into the molten crater and forms a bond with the work piece as shown.

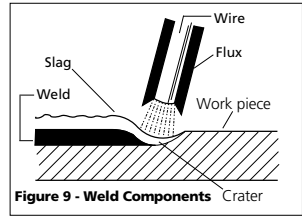


Figure 9 - Weld Components

Note: Discontinue using and discard electrodes that burn down to 1 to 2 inches from the electrode holder.

Striking an Arc

Place the bare end of the electrode in the holder. Grip the holder lightly to reduce tiring of the hand and arm.

Note: Always keep the jaws of the holder clean to insure good electrical contact with the electrode.

WARNING Be careful not to touch the work piece or welding bench with the electrode as this causes arc flashes.

There are two methods which can be used to start or strike the arc; the tapping method and the scratching method. In the tapping method, the

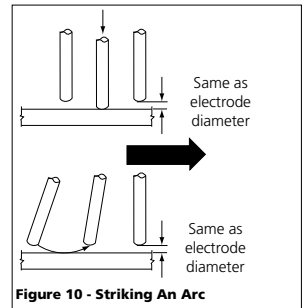


Figure 10 - Striking An Arc

electrode is brought straight down and tapped on the work piece.

With the scratching method, drag the electrode at an angle along the surface much like striking a match. Regardless of method, upon contact with the plate, immediately raise the electrode a distance equal to the diameter of the electrode or it will stick to the surface. Always hold the electrode pointed into the weld.

Note: Should the electrode stick to the work piece, break it loose by quickly twisting or bending at the holder while pulling upward. If the electrode does not break loose, disengage the electrode by releasing it from the holder.

Arc Welding Basics

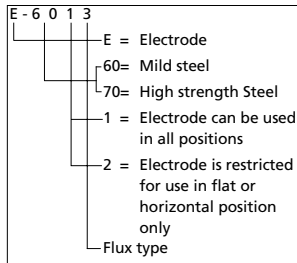
Five basic techniques affect weld quality. These are: electrode selection, current setting, weld angle, arc length, and travel speed. Proper implementation of these techniques is necessary for good weld quality.

Electrode Type and Size

The correct choice of electrode type involves a variety of factors, such as welding position, work piece material type, thickness, and condition of surface to be welded. The American Welding Society, AWS, has set up certain requirements for each type of electrode.

All electrodes are classified into five main groups: mild steel, high-carbon steel, special alloy steel, cast iron, and nonferrous such as aluminum. The

AWS Electrode Classification



majority of arc welding is done with the electrodes in the mild steel group. The electrode material should correspond with the work piece material.

Flux coatings are made for use with either AC (alternating current), DC (direct current) reverse polarity, or DC straight polarity, although some function well on both AC and DC current.

Commonly Used Electrodes

1. E-6011 Deep Penetrating

- The strong arc force and rapid solidification of the metal makes vertical and overhead welding easier with this rod.
- Where time does not permit rust, scale or paint removal, this rod penetrates rapidly and easily.
- Acceptable for AC or DC welding current (reverse polarity).

2. E-6013 General Purpose

- All position, smooth deposit rod with low spatter.
- For all mild steel and general purpose work.
- Acceptable for AC or DC welding current (straight or reverse polarity).

3. E-7014 Iron Powder

- A general purpose "drag" rod for all positions.
- Ideal for situations where fit between metal pieces is poor.
- The iron powder in the flux coating combines with the filler rod to make a smooth deposit with very little spatter.
- Ideal for ornamental work.
- Acceptable for AC or DC welding current (reverse polarity).

4. E-7018 Low Hydrogen

- An all position high strength electrode designed to produce low hydrogen content combined with excellent mechanical properties.
- Acceptable for AC or DC welding current (reverse polarity).

Modelo WS2800

paso para soldar. Primero deberá hacer un paso primordial, éste será seguido por pasos adicionales de relleno (vea la Fig. 8 y 9). Si las piezas son gruesas, tal vez sea necesario biselar los bordes que están unidos en un ángulo de 60°. Recuerde que deberá limpiar las escorias antes de cada paso.

Nota: El ancho (A) del reborde debe ser aproximadamente el doble del diámetro de la varilla de electrodo que se use.

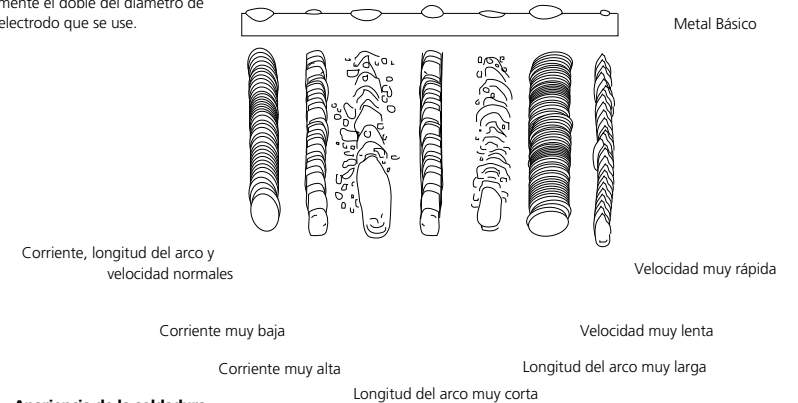
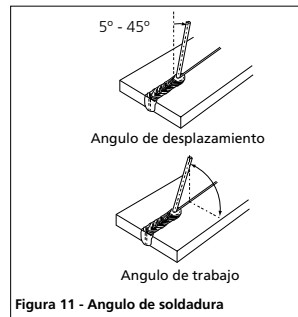


Figura 14 - Apariencia de la soldadura

Soldadora De Arco Con Electrodo Revestido

la pieza de trabajo (vea la Fig. 14). Si usa poca corriente el reborde luciría demasiado pronunciado e irregular.



ANGULO

Este es el ángulo en que se sostiene el electrodo durante el proceso de soldar. Al usar el ángulo adecuado se garantiza una penetración y formación de reborde adecuada. Al necesitar diferentes posiciones de soldar y uniones, el ángulo del electrodo juega un papel más importante. Hay 2 factores en este ángulo: ángulo de desplazamiento y de trabajo. (vea la Fig. 11)

El ángulo de desplazamiento es el ángulo en la línea donde se está soldando y puede variar entre 5° y 45° de la línea vertical, según sean las condiciones de trabajo.

El ángulo de trabajo es el ángulo desde la línea horizontal, medido en ángulos a la línea de soldar.

Para la mayoría de las aplicaciones se puede usar ángulos de desplazamiento y de trabajo de 45°. Para aplicaciones específicas, debe consultar un texto de soldar con arcos eléctricos o un libro de referencias para soldadores.

Nota: Si es zurdo debe soldar de derecha a izquierda, de lo contrario de izquierda a derecha. Siempre apunte el electrodo como se indica en la figura.

LONGITUD DEL ARCO

Esta es la distancia entre la pieza de trabajo y el extremo del electrodo, la distancia que el arco se debe desplazar. Para generar el calor necesario para soldar es esencial obtener la longitud adecuada del arco (Vea la Fig. 10). Si el arco es demasiado largo se produce un arco inestable, se reduce la penetración, aumenta el salpiqueo, y los rebordes son planos y anchos. Si el arco es demasiado corto no se produce suficiente calor para derretir la pieza de trabajo, el electrodo tiene la tendencia a pegarse, la penetración no es la adecuada y rebordes son dispares e irregulares. La longitud del arco no debe ser mayor al diámetro de la vara. Al soldar debe escuchar un sonido similar al que se produce al freir tocineta.

VELOCIDAD DE DESPLAZAMIENTO

Es la velocidad con que se desplaza el electrodo por el área a soldar. El diámetro y tipo de electrodo, amperaje, posición y el grosor de la pieza de trabajo son algunos de los factores que afectan la velocidad de desplazamiento necesaria para lograr una soldadura de primera (Vea la Fig. 10). Si la velocidad es demasiado rápida, el reborde es angosto y las ondas puntiagudas como se muestra en la figura. Si la velocidad es muy lenta, el metal soldado se acumula y el reborde es alto y ancho.

LIMPIEZA DE ESCORIAS

ADVERTENCIA Use anteojos de seguridad aprobados por la asociación norteamericana ANSI (ANSI Standard Z87.1) (o alguna organización similar en sus respectivos países) y ropa de protección

para sacar la escoria. Los residuos calientes le podrían ocasionar heridas a las personas que se encuentren en el área de trabajo.

Una vez que haya terminado de soldar, espere a que las piezas soldadas se enfrien. Una capa protectora que llamaremos escoria cubre el reborde para evitar que los contaminantes en el aire reaccionen con el metal derretido. Cuando el metal se haya enfriado un poco y no esté al rojo vivo, podrá limpiar el escoria. Esto lo puede hacer con una rebabadora. Golpee suavemente la escoria con el martillo hasta que logre despegarla. Finalmente, use un cepillo de alambre para terminar de limpiar. Cuando vaya a soldar en varios pasos deberá limpiar las escorias antes de cada paso.

POSICIONES PARA SOLDAR

Básicamente hay 4 posiciones para soldar: plana, horizontal, vertical y por encima de la cabeza. Soldar en la posición plana es lo más fácil ya que la velocidad puede aumentarse, el metal derretido se chorroa menos, se puede lograr una mayor penetración y el trabajador se cansa menos. Para soldar en esta posición se usan ángulos de desplazamiento y de trabajo de 45°. Otras posiciones requieren técnicas diferentes tales como paso entretreído, circular o cruzado. Para completar este tipo de soldadura se requiere más experiencia en la materia.

Soldar por encima de la cabeza es la posición más difícil y peligrosa. La temperatura a usar y el tipo de electrodo dependen de la posición.

Siempre debe tratar de soldar en la posición plana. Para aplicaciones específicas debe consultar un libro de referencias para soldadores.

PASOS

Algunas veces deberá usar más de un

Model WS2800

Current

The correct current involves the adjustment of the welding machine to the required amperage setting. Current represents the actual flow of electricity and is regulated by a knob on the welder. The current used depends on the size (diameter) and type of electrode used, position of the weld, and the thickness of the work piece.

Consult specifications listed on the electrode package or generalized chart in the Operation section. Excessive current burns through light metals, and the weld bead is flat and porous or the bead undercuts the work piece (See Fig. 14). The bead appears high and irregular if the current is too low.

Weld Angle

Weld angle is the angle at which the electrode is held during the welding process. Using the correct angle ensures proper penetration and bead formation. As different welding positions and weld joints become necessary, electrode angle becomes an increasingly important factor in obtaining a satisfactory weld. Electrode angle involves two positions - travel angle and work angle. (See Figure 11.)

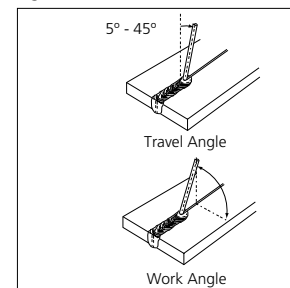


Figure 11 - Weld Angle

Travel angle is the angle in the line of welding and may vary from 5° to 45° from the vertical, depending on welding conditions.

Work angle is the angle from

horizontal, measured at right angles to the line of welding.

For most applications, a 45° travel angle and 45° work angle is sufficient. For specific applications, consult an arc welding handbook.

Note: Right handed welders should weld from left to right. Left handed welders should weld from right to left. The electrode should always point into the weld puddle as shown.

Arc Length

Arc length is the distance from the work piece to the tip of the electrode, the distance which the arc must travel. A proper arc length is essential to generate the heat needed for welding (See Fig. 14). An arc that is too long produces an unstable arc, reduces penetration, increases spatter, and causes flat and wide beads. Too short an arc does not create enough heat to melt the work piece, the electrode has a tendency to stick, penetration will be poor, and uneven beads with irregular ripples result. A proper arc should be no longer than the diameter of the rod. The sound of a proper arc is a steady, crisp sizzle, similar to bacon frying.

Travel Speed

The travel speed is the rate at which the electrode is moved across the weld area. Factors such as diameter and type of electrode, amperage, position, and work piece material thickness all effect the speed of travel necessary for completing a good weld (See Fig. 14). When the speed is too fast, the bead is narrow and bead ripples are pointed as shown. When the speed is too slow, the weld metal piles up and the bead is high and wide.

Slag Removal

AWARNING Wear ANSI approved safety glasses (ANSI Standard Z87.1) and protective clothing when removing slag. Hot, flying debris can cause personal injury to anyone in the area. After completing the weld, wait for the welded sections to cool. A protective coating called slag now covers the weld bead which prevents contaminants in

the air from reacting with the molten metal. Once the weld cools to the point that it is no longer glowing red, the slag can be removed. Removal is done with a chipping hammer. Lightly tap the slag with the hammer and break it loose from the weld bead. The final clean-up is done with a wire brush. When making multiple weld passes, remove the slag before each pass.

Welding Positions

Four basic welding positions can be used; flat, horizontal, vertical, and overhead. Welding in the flat position is easier than any of the others because welding speed can be increased, the molten metal has less tendency to run, better penetration can be achieved, and the work is less fatiguing. Welding is performed with the electrode at a 45° travel angle and 45° work angle.

Other positions require different techniques such as a weaving pass, circular pass, and jogging. A higher skill level is required to complete these welds. Overhead welding is the least desirable position as it is the most difficult and dangerous. Heat setting and electrode selection will vary depending upon the position.

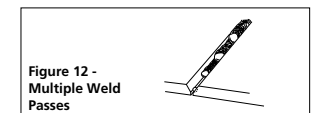


Figure 12 - Multiple Weld Passes

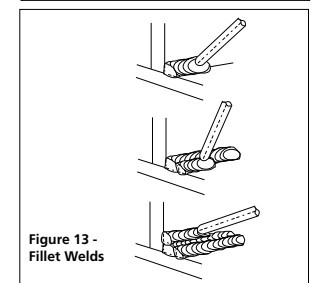


Figure 13 - Fillet Welds

Shielded Metal Arc Welder

All work should be performed in the flat position if possible. For specific applications, consult an arc welding handbook.

the pieces are thick, it may be necessary to bevel the edges that are joined at a 60° angle. Remember to remove the slag before each pass.

WELD PASSES

Sometimes more than one pass is necessary to fill the joint. The root pass is first, followed by filler passes and the cover pass (See Figures 12 and 13). If

Note: Weld bead width (W) should be approximately twice the diameter of the electrode rod used.

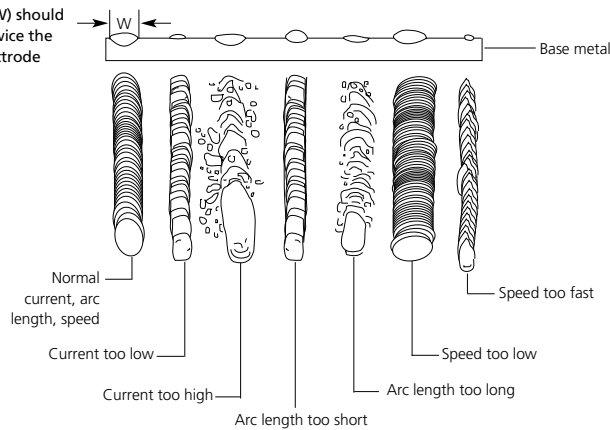


Figure 14 - Weld Appearance

Modelo WS2800

ADVERTENCIA Cierrese de no tocar la banca de trabajo con el electrodo ya que esto ocasionaría ráfagas.

Hay dos métodos que se pueden usar para encender el arco; el de derivación y el de rallar. En el de derivación, se baja el electrodo directamente hasta que golpee la pieza de trabajo.

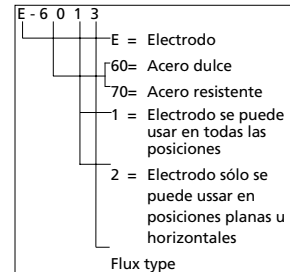
En el otro método, encienda el electrodo como si fuera un fósforo (en ángulo). Con ambos métodos, al hacer contacto con la placa, inmediatamente suba el electrodo a una distancia igual al diámetro del electrodo o éste se pegará a la superficie. Siempre sostenga el electrodo apuntando hacia el área a soldar.

Nota: En caso de que el electrodo se pegue a la pieza de trabajo, despéguelo moviéndolo de un lado a otro o doblandolo cerca del portaelectrodo y halándolo hacia arriba. Si no logra despegarlo, sáquelo del portaelectrodo.

Técnicas Básicas para Soldar con Arcos

Hay 5 técnicas básicas que afectan la calidad de la soldadura. Estas son: selección del electrodo, nivel de la corriente, ángulo, longitud del arco y velocidad de desplazamiento. Es

CLASIFICACION AWS DEL ELECTRODO



necesario que siga cada una de ellas adecuadamente para obtener una soldadura de buena calidad.

TAMAÑO Y TIPO DEL ELECTRODO

La selección del tipo correcto de electrodo depende de varios factores tales como la posición en que va a soldar, el tipo de material que va a soldar, el grosor y las condiciones de la superficie. La sociedad norteamericana de soldadores, AWS, ha seleccionado ciertos requerimientos para cada tipo de electrodos.

Todos los electrodos están clasificados en 5 grupos principales: acero dulce, acero de alto carbono, acero de aleación especial, hierro colado y metales noferrosos como el aluminio. La mayoría de la soldaduras de arco se hacen con electrodos del grupo de aceros dulces. El material del electrodo debe ser similar al de la pieza de trabajo. Las capas de fundentes están hechas para usarlas con CA (corriente alterna), CD (corriente directa) polaridad reversa o CD de polaridad directa, aunque algunas sirven para ambas corrientes CA y CD.

ELECTRODOS DE USO COMUN

- E-6011 PENETRACION PROFUNDA**
 - Este tipo de electrodo es ideal para soldar en posiciones verticales y por encima de usted ya que le ofrece un arco fuerte y los metales se solidifican rápidamente.
 - (Cuando no tenga tiempo de limpiar el óxido o la pintura este tipo de electrodo penetra rápidamente con facilidad).
 - Se puede usar para soldar con corrientes CA o CD (polaridad reversa).
- E-6013 PARA TODO TIPO DE USO**
 - Este electrodo se puede usar para soldar en cualquier posición, le ofrece poca salpicadura o depósito de residuos.

- Para usarse con aceros dulces en todo tipo de trabajos.
 - Se puede usar para soldar con corrientes CA o CD (polaridad directa o reversa).
- E-7014 HIERRO PULVERIZADO**
 - Para todo tipo de trabajos y posiciones.
 - Ideal para situaciones cuando las piezas metálicas no cuadran bien.
 - El hierro pulverizado del fundente se combina con el relleno para formar una soldadura con poco depósito o salpicadura.
 - Ideal para trabajos de herrería ornamental.
 - Se puede usar para soldar con corrientes CA o CD (polaridad reversa).
 - E-7018 BAJO EN HIDROGENO**
 - Este electrodo de alta resistencia para soldar en cualquier posición está diseñado para soldar con bajo contenido de hidrogeno y muy buenas propiedades mecánicas.
 - Se puede usar para soldar con corrientes CA o CD (polaridad reversa).

CORRIENTE

Para fijar el nivel adecuado de corriente ajuste el amperaje al nivel requerido. La corriente representa la cantidad de electricidad que en realidad circula y ésta se regula con un interruptor en la soldadora. La cantidad de corriente usada depende del tamaño (diámetro) y tipo del electrodo usado, la posición de la soldadura y el grosor de la pieza de trabajo. Consulte las especificaciones que se detallan en el paquete del electrodo o en la tabla general de la sección Funcionamiento. Si usa demasiada corriente para soldar metales de poca resistencia, éstos se quemarían, el reborde sería plano y poroso o cortaría

Soldadora De Arco Con Electrodo Revestido

para el diámetro del electrodo. Refiérase a la siguiente tabla por los valores de corriente adecuados para el electrodo.

Diámetro del electrodo	Amperaje utilizado
2.5 mm (3/32")	60-110
3.2 mm (1/8")	110-160
4.0 mm (5/32")	150-230

ADVERTENCIA Tanto el electrodo como la varilla tienen "tensión" (podrían transmitir corriente) cuando encienda la soldadora. Al hacer la conexión a tierra con una superficie metálica podría producir un arco que podría ocasionar chispas y dañarle la vista.

- Sostenga el electrodo y el portaelectrodo alejado de la pieza de trabajo o banco de trabajo conectado a tierra. Encienda la soldadora. Cuando se enciende la soldadora se ilumina una luz verde.
- Coloque el electrodo para comenzar a soldar, mueva la cabeza para cubrirse la cara con el casco, o colóquese la máscara. Ajuste el amperaje según sea necesario.
- Cuando termine de soldar, apague la soldadora y almacénela en un sitio adecuado.

Ciclo de Trabajo / Protección Térmica

El ciclo de trabajo de la soldadora es el porcentaje de tiempo que se está soldando durante un intervalo de 10 minutos. Por ejemplo, con un ciclo de trabajo de 10%, podrá soldar por un minuto y después la soldadora deberá enfriarse por nueve minutos.

Esta soldadora tiene un protector térmico automático para evitar que las piezas internas se sobrecalienten. Si se excede el ciclo de trabajo se enciende una luz amarilla en el panel de control.

Podrá continuar soldando cuando la luz amarilla se apague.

Mantenimiento

ADVERTENCIA Desconecte y apague la soldadora antes de inspeccionar o darle servicio a cualquier componente.

Antes de cada uso;

- Chequee los cables y repare o reemplace cualquier cable cuyo forro aislante esté dañado.
- Chequee el cordón eléctrico y repárelo o reemplácelo inmediatamente si está dañado.
- Chequee el forro aislante del portaelectrodo y reemplace de inmediato las piezas que estén rotas. Cerciórese de que todas las conexiones estén bien apretadas y aisladas.

ADVERTENCIA Nunca use esta soldadora cuando algún cordón tenga el forro aislante roto o éste le falte.

Cada 3 meses; Reemplace cualquier etiqueta que esté ilegible. Use aire comprimido para limpiar las aperturas de ventilación.

Instrucciones para solda En General

Este tipo de soldadoras usa un proceso llamado arcos metálicos protegidos. Este proceso se usa para unir metales al calentarlos con un arco eléctrico creado entre el electrodo y la pieza de trabajo.

Los electrodos usados para soldar con arcos metálicos protegidos tienen dos partes. La parte interna es una vara de metal o alambre que debe ser similar al metal básico. La capa externa se llama fundente. Hay varios tipos de fundentes. Cada uno de ellos se usan para situaciones diferentes.

Cuando el metal se derrite se puede contaminar con las impurezas del aire. Esta contaminación podría debilitar la soldadura. La capa de fundente crea una barrera de protección o escoria que

protege el metal derretido contra los contaminantes.

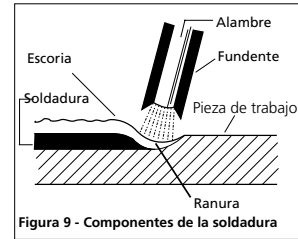


Figura 9 - Componentes de la soldadura

Cuando la corriente (amperaje) circula del circuito al electrodo, se forma un arco entre el extremo del electrodo y la pieza de trabajo. El arco derrite el electrodo y la pieza de trabajo. El metal derretido del electrodo se dispersa dentro de la ranura del metal derretido en la pieza y los usa tal como se muestra en la figura.

Nota: Debe cambiar el electrodo cuando su longitud sea de 1 a 2 pulgadas del portaelectrodo.

PARA ENCENDER EL ARCO

Coloque el extremo del electrodo sin capa en el portaelectrodo. Sostenga el portaelectrodo sin hacer fuerza para que no se le canse la mano y el brazo.

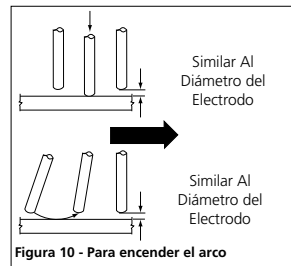


Figura 10 - Para encender el arco

Nota: Siempre mantenga las pinzas limpias para cerciorarse de que haya un

Troubleshooting Chart

Symptom	Possible Cause(s)	Corrective Action
Welder does not hum when turned on (Green lamp not illuminated)	1. No power at receptacle 2. Broken or damaged power cable	1. Check circuit fuse or circuit breaker 2. Power cable requires service
Welder hums but does not weld	1. Inadequate current at electrode 2. Poor connections at welder	1. Check ground clamp, cable and connection to work piece. Check electrode cable and clamp. 2. Check all welder external connections
Welder gives trickle shocks	1. Accidental contact with work piece 2. Current leakage caused by moist clothing or work area	1. Avoid contact with work piece 2. Make sure clothing and work area are dry
Welder overheats - blows fuses, trips circuit breaker	1. Use of extension cord 2. Electrode diameter too large 3. Overloaded circuit	1. If possible, relocated welder to avoid use of extension cord. If relocation of welder is not possible, use thicker (lower gauge number) extension cord 2. Use smaller diameter electrode 3. Welder requires a dedicated 230v circuit
Arc difficult to strike	1. Electrode diameter too large 2. Work piece not properly grounded 3. Heavy loads making power line voltage low	1. Use smaller diameter electrode 2. Verify proper grounding. (No paint, varnish or corrosion) 3. Run welder on dedicated 230v circuit
Bead is intermittently too thin	1. Inconsistent travel speed 2. Output amp setting too low	1. Decrease and maintain travel speed 2. Increase output amp setting or change to smaller diameter electrode
Bead is intermittently too thick	1. Slow and/or inconsistent travel speed 2. Output amp setting too high	1. Increase and maintain travel speed 2. Reduce output amp setting
Ragged depressions at edge of weld	1. Travel speed too fast 2. Arc length too short 3. Output amp setting too high	1. Decrease travel speed 2. Increase arc length 3. Reduce output amp setting
Weld bead does not penetrate base metal	1. Inconsistent travel speed 2. Output amp setting too low	1. Decrease and maintain constant travel speed 2. Increase output amp setting
Electrode sticks to work piece	Electrode is held in contact with work piece while arc is struck	Lift electrode to correct arc length as soon as arc is struck
Electrodes sputter and stick	Damp electrodes	Use dry electrodes and store in dry location

For Information About This Product
Call 1-800-746-5641

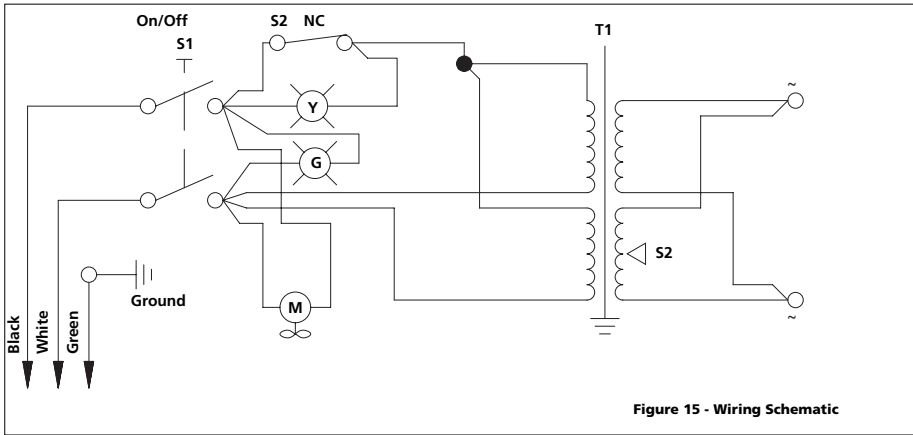


Figure 15 - Wiring Schematic

Limited 5-3-1 Warranty

1. Duration: The manufacturer warrants that it will repair, at no charge for parts or labor, the Welder, Welding Gun, or Cables, proven defective in material or workmanship, during the following time period(s) after date of original retail purchase:

For 5 Years: The Welder Transformer and Rectifier

For 3 Years: The Entire Welder (excluding clamps, welding gun, electrode holder, cables, or accessories packed with welder)

For 1 Year: The Welding Clamps, MIG Gun, Electrode Holder, Accessories, and Welding Cables (as applicable)

2. Who Gives This Warranty (Warrantor):

Campbell Hausfeld
The Scott Fetzer Company
100 Production Drive
Harrison, OH 45030
Telephone: (513)-367-4811

3. Who Receives This Warranty (Purchaser): The original purchaser of the Campbell Hausfeld product.

4. What is covered under this warranty: Defects in material and workmanship which occur within the duration of the warranty period. This warranty extends to the Welder, the Welders Transformer and Rectifier, Welding Gun or Electrode Holder, and cables only.

5. What is not covered under this warranty:

A. Implied warranties, including those of merchantability and FITNESS FOR A PARTICULAR PURPOSE ARE LIMITED IN DURATION TO THIS EXPRESS WARRANTY. After this period, all risks of loss, from whatever reason, shall be on the purchaser. Some states do not allow limitations on how long an implied warranty lasts, so above limitations may not apply to you.

B. ANY INCIDENTAL, INDIRECT, OR CONSEQUENTIAL LOSS, DAMAGE, OR EXPENSE THAT MAY RESULT FROM ANY DEFECT FAILURE OR MALFUNCTION OF THE CAMPBELL HAUSFELD PRODUCT. Some states do not allow limitations on how long an implied warranty lasts, so above limitations may not apply to you.

C. This warranty does not apply to any accessory items included with the product which are subject to wear from usage; the repair or replacement of these items shall be at the expense of the owner. These MIG items include but are not limited to; Contact Tips, Nozzles, Gun Liners, Drive Rollers, Felt Wire Cleaner. In addition, this warranty does not extend to any damage caused by the untimely replacement or maintenance of any of the previously listed CONSUMABLE parts.

D. Any failure that results from accident, purchaser's abuse, neglect or failure to operate products in accordance with instructions provided in the owner's manual(s) supplied with the product.

E. Pre-delivery service, i.e. assembly and adjustment.

7. Responsibilities of Warrantor under this warranty: Repair or replace, at Warrantor's option, products or components which have failed within duration of the warranty period.

8. Responsibilities of purchaser under this warranty:

A. Deliver or ship the Campbell Hausfeld product or component to Campbell Hausfeld. Freight costs, if any, must be borne by the purchaser.

B. Use reasonable care in the operation and maintenance of the products as described in the owner's manual(s).

9. When Warrantor will perform repair or replacement under this warranty: Repair or replacement will be scheduled and serviced according to the normal work flow at the servicing location, and depending on the availability of replacement parts.

This Limited Warranty gives you specific legal rights and you may also have other rights which vary from state to state.

Modelo WS2800

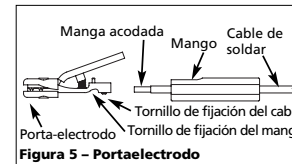


Figura 5 - Portaelectrodo

- Deslice el cable de soldar/manga acodada dentro de la parte trasera del cuerpo de bronce, alineando el lado plano del conector acodado con la parte delantera del tornillo de fijación del cable.
- Apriete el tornillo de fijación del cable para sostener con seguridad el cable de soldar/manga acodada.
- Deslice el mango aislado sobre el portaelectrodo y apriete el tornillo de fijación del mango. **No apriete excesivamente este tornillo de fijación. Si lo hace dañará el mango aislado.**

ENSAMBLAJE DEL PROTECTOR MANUAL (Ver figuras 6 y 7)

- Corte los soportes y el mango desmontable de la máscara. Corte el exceso de plástico para quitar los bordes filosos.
- Coloque los filtros de los lentes.
- Conecte los soportes a los pasadores de los retenes de los lentes.
- Para conectar el mango, coloque la máscara sobre una superficie plana y presione el mango hasta que calce.

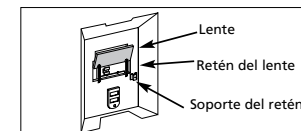


Figura 6 - Protector manual

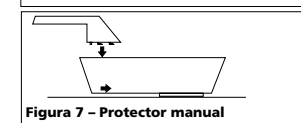


Figura 7 - Protector manual

Montage du Casque de Soudeur (Modèles promotionnels seulement)

MODELO WT1000 (Vea la figura 8)

- Haga fuerza en las pestañas con un desarmador para sacar el soporte de los lentes de la máscara.
- Quitele la capa protectora que se encuentra a ambos lados de la cubierta de los lentes. Coloque una cubierta clara a cada lado de los lentes oscuros. Coloque los tres lentes juntos en la máscara y sosténgalos con el retenedor. Éste debe calzar en la segunda apertura de la máscara.
- Coloque uno de los orificios del brazo de ajuste en los pasadores ubicados a los lados de la máscara (por donde estarían las orejassuyas al ponerse). Este brazo le permite ajustar la cercanía y lo puede ajustar fácilmente.
- Coloque la armazón dentro de la máscara. Luego coloque los tornillos de cabeza redonda y apriete la tuerca de tensión tal como se muestra. No apriete la tuerca completamente.

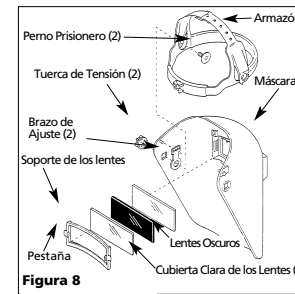


Figura 8

- Pruébesela, ajústela hasta que le quede bien y cúbrase la cara. Si la máscara le queda muy lejos o muy cerca de la cara, use otro de los orificios del brazo de ajuste. Ajuste la tuerca de tensión de modo que pueda cubrirse la cara con la máscara

con sólo mover la cabeza.

Funcionamiento

- Cerciórese de leer, comprender y cumplir con todas las medidas de precaución enumeradas en la sección de Informaciones Generales de Seguridad de este manual. Igualmente, debe leer la sección Instrucciones para soldar en este manual antes de usar la soldadora.
- Apague la soldadora y conéctela a un tomacorrientes adecuado: Electrodo C.A.-230 voltios-50 amperios
- Cerciórese de que las superficies de metal que va a soldar no estén sucias, oxidadas o pintadas y que no tengan aceite, impurezas o ningún contaminante. Ésto podría dificultarle o dañarle la soldadura.

ADVERTENCIA Todos los operadores de estas soldadoras o las personas que estén en el área de trabajo deben usar vestimenta de protección adecuada incluyendo: protección ocular (lentes oscuros), ropa resistente al fuego, guantes de cuero para soldadores y zapatos para soldadores

ADVERTENCIA Si piensa calentar, soldar o cortar materiales galvanizados, cubiertos de zinc, plomo o cadmio vea las instrucciones al respecto en la sección Informaciones Generales de Seguridad. Al calentar estos metales se emiten gases muy tóxicos.

- Conecte la pinza de conexión a tierra a la pieza o la banca de trabajo (si es de metal). Cerciórese de que haga contacto y que no lo obstruya ni pintura, barniz, óxido o materiales no metálicos.
- Inserte la parte expuesta del electrodo (el extremo sin fundente) dentro de las mandíbulas del portaelectrodo.
- Coloque la perilla de ajuste de amperaje en el amperaje adecuado

Soldadora De Arco Con Electrodo Revestido

Instalación

UBICACIÓN

Al ubicar la soldadora en un sitio adecuado puede aumentar el rendimiento y la fiabilidad de la soldadora de arcos eléctricos.

- Para obtener mejores resultados debe colocar la soldadora en un área que esté limpia y seca. No la coloque en áreas muy calientes, o que estén expuestas a mucha humedad, polvo o gases corrosivos. El exceso de humedad ocasiona que ésta se condense en las piezas eléctricas. La humedad puede contribuir al óxido y cortocircuito. El polvo y las impurezas en la soldadora acumulan la humedad y aumenta el desgaste de las piezas que se mueven.
- Coloque la soldadora en un área donde haya por lo menos 12 pulgadas (305mm.) de espacio para ventilación tanto al frente como en la parte posterior de la unidad. Esta área de ventilación se debe mantener libre de obstrucciones.
- Guarde los electrodos en un lugar limpio y seco con baja humedad, como por ejemplo el envase de los electrodos WT2240, para conservar la capa de fundente.
- El panel de control de la soldadora contiene información con respecto a la entrada correcta de voltaje y amperaje. Siga las especificaciones que se encuentran en el panel frontal de la soldadora.
- El tomacorrientes que use para conectar la soldadora debe estar conectado a tierra adecuadamente y la soldadora debe ser el único artefacto conectado a este circuito. Vea la tabla de Circuitos Amperios en la sección de Especificaciones donde se le dan la capacidad correcta del circuito.
- No es recomendable que use un cordón de extensión con este tipo de

soldadoras. La baja de voltaje en el cordón de extensión podría reducir el rendimiento de la soldadora.

ENSAMBLAJE

ENSAMBLAJE DEL MANGO (Ver figura 2)

1. Ajuste las tapas de los extremos en el mango.
2. El mango se puede conectar en dos posiciones (alta o baja). Usando los cuatro tornillos y arandelas proporcionadas, conecte el mango en la parte trasera de la caja.



Figura 2 - Ensamblaje del mango, rueda y rueda giratoria

ENSAMBLAJE DE LA RUEDA (Ver figura 2)

1. Deslice el eje a través de los orificios en los lados de la caja.
2. Deslice las ruedas sobre el eje y golpee suavemente las contratueras en su lugar sobre las ranuras del eje.

ENSAMBLAJE DE LAS RUEDAS GIRATORIAS (Ver figura 2)

1. Usando los ocho tornillos y arandelas proporcionadas, coloque las ruedas giratorias en la parte inferior de la caja.

ENSAMBLAJE DEL ENCHUFE DINSE (Ver figura 3)

1. Pele 1/2" de aislamiento del extremo del cable de soldar opuesto al otro

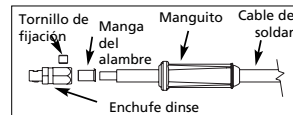


Figura 3 - Ensamblaje del enchufe Dinse

conectores acodados.

2. Inserte este extremo del cable de soldar a través del accesorio de transición del enchufe "dinse" y deslice el cable pelado dentro de la manga de cobre.
3. Inserte el ensamblaje del cable de soldar/manga de cobre dentro de la parte trasera del enchufe "dinse".
4. Ajuste los tornillos de fijación, asegurando el cable en su lugar.
5. Deslice el accesorio de transición sobre la porción hexagonal del enchufe "dinse".
6. Repita para el otro conector.

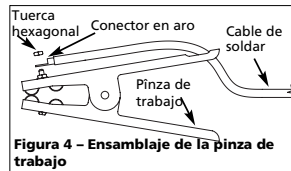


Figura 4 - Ensamblaje de la pinza de trabajo

ENSAMBLAJE DE LA PINZA DE TRABAJO (Ver figura 4)

1. Quite una tuerca hexagonal de la pinza de trabajo.
2. Deslice el cable de soldar con el conector en aro a través del orificio en la pinza de trabajo.
3. Una el aro conector a la pinza de trabajo con la tuerca hexagonal que quitó en el paso 1.

ENSAMBLAJE DEL PORTAELECTRODO (Ver figura 5)

1. Afloje el tornillo de fijación del mango en el soporte del electrodo girándolo un par de veces. **No quite por completo este tornillo de fijación.** Quite el mango aislado y deslícelo sobre el extremo del cable de soldar con la manga acodada.
2. Afloje el tornillo de fijación del cable en la parte inferior del cuerpo de bronce del portaelectrodo.

Model WS2800

For Information About This Product
Call 1-800-746-5641

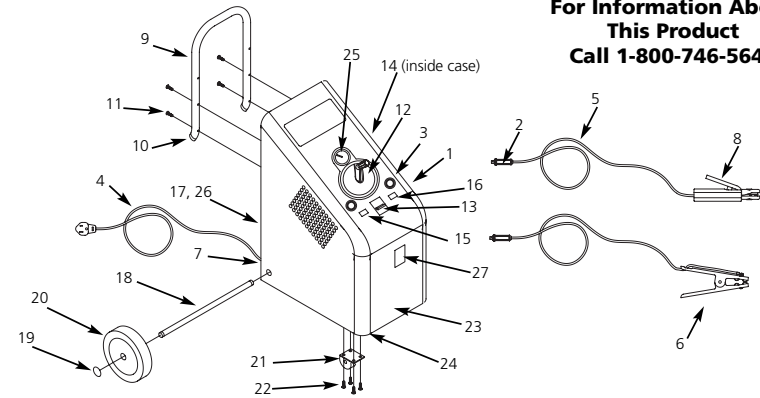


Figure 16 - Replacement Parts

Replacement Parts List

Ref No.	Description	Part Number	Qty
1	Decal, Warning ▲	DK683400AV	1
2	Connector, Dinse	WC000200AV	2
3	Socket, Dinse	WC000300AV	2
4	Cordset, Power – 230V, 50A (NEMA 6-50P), 7 ft (213 cm), 12AWGX3C, Type SJT	*	1
5	Cable, Welding – 5 AWG (15 mm ²) x 10 ft (305 cm)	WC000800AV	2
6	Clamp, Work – 250A	WC100100AV	1
7	Relief, Strain ▲	WC102400AV	1
8	Holder, Electrode – 300A	WC200200AV	1
9	Handle	WC301600AV	1
10	Plug, Tubing – 0.94" (24 mm) OD	WC301601AV	2
11	Screw, Machine – M4-0.7 X 35 mm (Handle)	*	4
12	Crank Kit (includes crank, knob, bolt, washers and nut)	WC302300SJ	1
13	Switch, Power	WC402400AV	1
14	Switch, Thermal ▲	WC402500AV	1
15	Light, Indicating – Green	WC402600AV	1
16	Light, Indicating – Yellow	WC402700AV	1
17	Fan ▲	WC402800AV	1
18	Axle	WC704300AV	1
19	Pal-Nut	WC704301AV	2
20	Wheel	WC704400AV	2
21	Caster	WC704500AV	2
22	Screw, Machine – M4-0.7 X 10 mm (Caster)	*	8
23	Door	WC705100AV	1
24	Pin, Hinge ▲	WC705300AV	2
25	Pointer, Gage	WC705500AV	1
26	Grill, Fan	WC706200AV	1
27	Latch, Door	WC706300AV	1
28	Lens, Welding – Shade 10, 2x4-1/4" (51x108 mm) ▲	WC801100AV	1
29	Handshield ▲	WC801300AV	1
30	Chipping Hammer/Brush ▲	WC803000AV	1

* Standard hardware item, available at local hardware or welder supply store

▲ Not shown

Welding Terms

AC or Alternating Current - electric current that reverses direction periodically. Sixty cycle current travels in both directions sixty times per second.

Arc Length - the distance from the end of the electrode to the point where the arc makes contact with the work surface.

Base Metal - the material to be welded.

Butt Joint - a joint between two members aligned approximately in the same plane.

Crater - a pool, or pocket, that is formed as the arc comes in contact with the base metal.

DC or Direct Current - electric current which flows only in one direction. The polarity (+ or -) determines which direction the current is flowing.

DC Reverse Polarity - occurs when the electrode holder is connected to the positive pole of the welding machine.

Reverse Polarity directs more heat into melting the electrode rather than the work piece. It is used on thinner material.

DC Straight Polarity - occurs when the electrode holder is connected to the negative pole of the welding machine.

With straight polarity more heat is directed to the work piece for better penetration on thicker material.

Electrode - a coated metal wire having approximately the same composition as the material being welded.

Fillet Weld - approximately a triangle in cross-section, joining two surfaces at right angles to each other in a lap, T or corner joint.

Flux - a coating, when heated, that produces a shielding gas around the welding area. This gas protects the parent and filler metals from impurities in the air.

Flux Cored Arc Welding (FCAW) - also called Gasless, is a welding process used with a wire-feed welding machine. The weld wire is tubular with flux material contained inside for shielding.

Gas Metal Arc Welding (GMAW) - also called MIG, is a welding process used with a wire feed welding machine. The wire is solid and an inert gas is used for shielding.

Gas Tungsten Arc Welding (GTAW) - also called TIG, is a welding process used with welding equipment with a high

frequency generator. The arc is created between a non-consumable tungsten electrode and the work piece. Filler metal may or may not be used.

Lap Joint - a joint between two overlapping members in parallel planes.

Open Circuit Voltage (OCV) - the voltage between the electrode and the ground clamp of the welding machine when no current is flowing (not welding).

The OCV determines how quickly the arc is struck.

Overlap - occurs when the amperage is set too low. In this instance, the molten metal falls from the electrode without actually fusing into the base metal.

Porosity - gas pockets, or cavities, formed during weld solidification. They weaken the weld.

Penetration - the depth into the work piece that has been heat effected by the arc during the welding process. A good weld achieves 100% penetration meaning that the entire thickness of the work piece has been heated and resolidified. The heat effected area should be easily seen on the opposite side of the weld.

Shielded Metal Arc Welding (SMAW) - also called Stick, is a welding process with uses a consumable electrode to support the arc. Shielding is achieved by the melting of the flux coating on the electrode.

Slag - a layer of flux soot that protects the weld from oxides and other contaminants while the weld is solidifying (cooling). Slag should be removed after weld has cooled.

Splatter - metal particles thrown from the weld which cool and harden on the work surface. Splatter can be minimized by using a spatter resistant spray on the work piece before welding.

Tack Weld - weld made to hold parts in proper alignment until final welds are made.

Travel Angle - the angle of the electrode in the line of welding. It varies from 5° to 45° depending on welding conditions.

T Joint - made by placing the edge of one piece of metal on the surface of the other piece at approximately a 90° angle.

Undercut - a condition that results when

welding amperage is too high. The excessive amperage leaves a groove in the base metal along both sides of the bead which reduces the strength of the weld.

Weld Pool or Puddle - a volume of molten metal in a weld prior to its solidification as weld metal.

Weld Bead - a narrow layer or layers of metal deposited on the base metal as the electrode melts. Weld bead width is typically twice the diameter of the electrode.

Work Angle - the angle of the electrode from horizontal, measured at right angles to the line of welding.

Modelo WS2800

menor a 10. Debe advertirle a otras personas en el área que no deben mirar el arco.

⚠️ ADVERTENCIA

Al soldar con arcos eléctricos puede causar chispas y calentar el metal a temperaturas que le podrían ocasionar quemaduras graves! Use guantes y ropa de protección para hacer este tipo de trabajo. Tome todas las medidas de precaución descritas en este manual para reducir las posibilidades de quemarse la piel o la ropa.

- Cerciórese de que todas las personas que se encuentren en el área de trabajo estén protegidas contra el calor, las chispas, y los rayos ultravioletas. Igualmente debe utilizar protecciones adicionales cuando sea necesario.
- Nunca toque las piezas que ha soldado hasta que éstas se hayan enfriado.

⚠️ ADVERTENCIA

El calor y las chispas producidas al soldar con arcos eléctricos y otros trabajos con metales podrían encender materiales inflamables o explosivos! Tome todas las medidas de precaución descritas en este manual para reducir las posibilidades de llamas o explosiones.

- Mueva todos los materiales inflamables que se encuentren en un radio de 35 pies (10,7 metros) del arco de soldadura. Si no lo puede hacer, deberá cubrirlos con algún material que los aisle del fuego.
- No use una soldadora eléctrica de arco en áreas donde pueda haber vapores inflamables o explosivos.
- Tome todas las precauciones necesarias para evitar que las chispas y el calor ocasionen llamas en áreas poco accesibles, ranuras, detrás de divisiones, etc.

⚠️ ADVERTENCIA

Peligro de incendio! Nunca debe soldar envases o tuberías que contengan o hayan contenido materiales inflamables o combustibles gaseosos o líquidos.

⚠️ ADVERTENCIA

Al soldar con arcos eléctricos cilindros cerrados o tambores podría ocasionar explosiones si no están bien ventilados! Cerciórese de que cualquier cilindro o envase que vaya a soldar tenga un orificio de ventilación para que los gases puedan liberarse.

⚠️ ADVERTENCIA

No debe respirar los gases emitidos al soldar con arcos eléctricos. Estos son peligrosos. Si no puede ventilar bien el área de trabajo, deberá usar un respirador.

- Mantenga la cabeza y la cara alejada de los gases emitidos.
- No debe soldar con arcos eléctricos metales galvanizados o con capa de cadio, o aquellos que contengan zinc, mercurio o berilio sin tomar las siguientes precauciones:
 - a. Quitarle la capa al metal.
 - b. Cerciorarse de que el área de trabajo esté bien ventilada.
 - c. Usar un respirador.
 Estos metales emiten gases sumamente tóxicos al calentarse.

⚠️ ADVERTENCIA

El campo electromagnético generado al soldar con arcos eléctricos podría interferir con el funcionamiento de varios artefactos eléctricos y electrónicos tales como marcapasos. Aquellas personas que usen estos artefactos le deben consultar a su médico antes de soldar con arcos eléctricos.

- Coloque los electrodos y cables en la misma línea y únalos con cinta pegante cuando sea posible.
- Nunca se enrolle los cables de la soldadora en el cuerpo.

- Siempre coloque los electrodos y las conexiones a tierra del mismo lado.
- El exponerse a campos electromagnéticos al soldar con arcos eléctricos le podría ocasionar otros problemas de salud desconocidos hasta el momento.

⚠️ ADVERTENCIA

Cerciórese de que el área de trabajo este libre de peligros (chispas, llamas, metales al rojo vivo o escorias) antes de irse. Cerciórese de que ha apagado la soldadora y le ha quitado el electrodo. Cerciórese de que los cables estén enrollados y almacenados. Cerciórese de que tanto el metal como la escoria se hayan enfriado.

⚠️ ADVERTENCIA

- Este producto, cuando se usa para soldar, produce humos o gases que contienen químicos los cuales, según lo ha determinado el estado de California, causan defectos congénitos (u otros daños de la función reproductiva), y en algunos casos, el cáncer (Ley sobre Seguridad y Salud de California No. 25249.5 y siguientes).
- Para solicitar la Hoja de Datos de Seguridad del Material (MSDS), visite nuestro sitio web en la Internet @ www.chpower.com o llame al 1-800-746-5641.

MEDIDAS DE SEGURIDAD ADICIONALES

Aquellas personas que vivan y trabajen en los Estados Unidos deben percatarse de que según las leyes de este país los siguientes códigos aplican para el trabajo con soldadoras: ANSI Standard Z49.1, OSHA 29 CFR 1910, NFPA Standard 70, CGA Pamphlet P-1, CSA Standard W117.2, NFPA Standard 51B ANSI Standard Z87.1. Aquellas personas que residan en países latinoamericanos deben consultar los códigos y regulaciones que se apliquen en sus respectivos países.

Soldadora De Arco Con Electrodo Revestido

ADVERTENCIA

Siempre mantenga un extinguidor de incendio accesible cuando esté soldando con arcos eléctricos.

- Antes de encender o darle servicio a las soldadoras eléctricas de arco, debe leer y comprender todas las instrucciones. El no seguir las advertencias o instrucciones que le damos en este manual le podría ocasionar daños al equipo, y/o heridas graves e inclusive la muerte. Para recibir mayor información, solicite una copia del estándar Z49.1 de la ANSI Titulado - Seguridad al soldar y cortar. Esta publicación la puede ordenar (en inglés) a la American Welding Society, 550 NW. LeJune Rd., Miami, FL 33135.
- La instalación, mantenimiento, reparación y operación de una soldadora debe ser hecho por una persona calificada según los códigos nacionales, estatales y locales.

ADVERTENCIA

!El uso inadecuado de soldadoras eléctricas de arco podría ocasionarle electrocución, heridas y la muerte! Siguiendo nuestras advertencias reducirá las posibilidades de electrocución.

- Cerciórese de que todos los componentes de la soldadora de arco estén limpios y en buen estado antes de utilizarla. Cerciórese de que los aislantes en todos los cables, pinzas para sostener electrodos y cordones eléctricos no estén dañados. Siempre repare o reemplace las piezas dañadas antes de utilizar la soldadora. Siempre mantenga todas las tapas de la soldadora en su lugar mientras la esté utilizando.
- Siempre use ropa adecuada y que

esté seca, guantes para soldadores y zapatos aislantes.

- Use la soldadora sólo en áreas limpias, secas y bien ventiladas. No la use en áreas húmedas, mojadas, a la intemperie o que no estén bien ventiladas.
- Antes de comenzar a soldar cerciórese de que la pieza esté bien fija y conectada a tierra.
- Debe desenrollar el cable para soldar para evitar que se sobrecaliente y se le dañe el forro aislante.

PELIGRO Nunca sumerja en agua el electrodo o el portaelectrodos. Si la soldadora se moja por cualquier motivo, cerciórese de que esté completamente seca antes de tratar de usarla!

- Antes de tratar de tratar de moverla a otro sitio siempre apáguela y desconéctela.
- La conexión a tierra debe hacerse de último.
- Cerciórese de que la conexión a tierra esté bien hecha.
- Siempre apague la soldadora y sáquele el electrodo cuando no esté trabajando.
- Nunca toque el electrodo y la tierra o pieza conectada a tierra al mismo tiempo.
- Las posiciones poco comunes le pueden ocasionar peligro de electrocución. Al estar en cuclillas, arrodillado o en alturas, cerciórese de aislar todas las piezas que puedan conducir electricidad, use ropa adecuada par soldar y tome precauciones para no caerse.
- Nunca trate de usar este equipo con corrientes eléctricas o ciclajes diferentes a los especificados en las etiquetas.
- Nunca use una soldadora eléctrica para descongelar tuberías que se hayan congelado.

ADVERTENCIA

Las chispas y el metal caliente le pueden ocasionar heridas. Cuando la pieza que soldó se enfríe la escoria podría despegarse. Tome todas las precauciones descritas en este manual para reducir las posibilidades de que sufra heridas por estas razones.

- Sólo use máscaras aprobadas por la organización norteamericana ANSI o anteojos de seguridad con protección lateral al tratar de cortar o esmerilar piezas de metal.
- Si va a soldar piezas que estén por encima de usted debe protegerse los oídos para evitar que le caigan residuos adentro.

ADVERTENCIA

Al soldar con arcos eléctricos se producen luces intensas, calor y rayos ultravioletas. Estos le podrían ocasionar heridas en la vista y la piel. Tome todas las medidas de precaución descritas en este manual para reducir las posibilidades de heridas en la vista o la piel.

- Todos los operadores o personas que se encuentren en el área de trabajo mientras estén usando el equipo deben usar la vestimenta adecuada incluyendo: máscara de soldador con los niveles de oscuridad especificados en la tabla a continuación, ropa resistente al fuego, guantes de cuero para soldar y zapatos de protección.

Corriente (Amps)	Oscuridad
Hasta 160 a	10
de 160 a 250 a	12

ADVERTENCIA

Nunca mire hacia el área donde está soldando sin protegerse la vista tal como se ha descrito anteriormente. Nunca use lentes oscuros que estén partidos, rotos o de un número

S'il vous plaît lire et conserver ces instructions. Lire attentivement avant de monter, installer, utiliser ou de procéder à l'entretien du produit décrit. Se protéger ainsi que les autres en observant toutes les instructions de sécurité, sinon, il y a risque de blessure et/ou dégâts matériels! Conserver ces instructions comme référence.



Soudeur À L'Arc Au Métal Enrobé

Description

Ce soudeur électrique à l'arc Campbell Hausfeld fonctionne sur une puissance d'entrée monophasée de 230 volts. Il est doté d'une commande de réglage d'ampérage infini (c.a. ou c.c.) qui permet la sélection précise du courant exigé pour une variété de conditions de soudage. Les pièces internes sont protégées par un thermostat.

Ce système de soudage a été conçu pour être utilisé avec le procédé de Soudage À L'Arc Au Métal Enrobé (SMAW). Livré de l'usine tel quel, ce soudeur peut souder avec une électrode allan jusqu'à 5/32 po (de diamètre).

Déballage

Lors du déballage, l'examiner soigneusement pour rechercher toute trace de dommage susceptible de s'être produit en cours de transport. S'assurer que tous raccords, vis, etc. sont serrés avant de mettre ce produit en service.

Exigences De Circuit

AVERTISSEMENT Cet équipement exige un circuit de 115 volt uniquement. Se référer au tableau suivant pour le disjoncteur ou la classification de fusible correcte. Ne pas faire fonctionner autres appareils, lampes, ou outils sur ce circuit pendant l'utilisation de cet équipement. Les rallonges ne sont pas recommandées. Le non-respect de ces recommandations peut mener à des fusibles sautés et disjoncteurs déclenchés.

Spécifications	
Tension De Soudage	31v c.a.
Ampérage De Soudage	180A c.a.
Facteur D'utilisation	20% c.a.
Tension Au Repos Max.	65 V

Tension D'Entrée Nominale . . .230 v AC
Ampérage D'Entrée Nominal . . .Voir la table
Long. Du Cordon D'Alimentation .6 pi

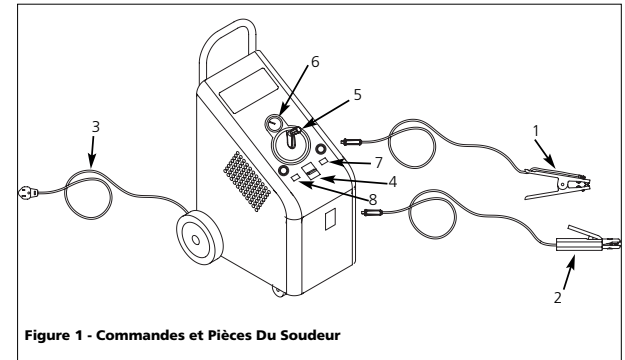


Figure 1 - Commandes et Pièces Du Soudeur

Long. Du Cordon D'Électrode . . .10 pi
Long. Du Cordon De Terre10 pi
Cycles60 Hz

Courant De Soudage	Disjoncteur ou Fusée à Retardement
c.a.	50 A

ADVERTENCIA Le porte-électrode est "électrisé" (porte une charge électrique) quand le modèle est en marche (ON).

Commandes et Pièces Détachées

1. Bride de serrage - connecter au travail
2. Porte-électrode - tient l'électrode de soudage.
3. Cordon D'Alimentation - brancher dans une prise de courant de 230 volts.
4. Interrupteur ON/OFF - Tourner à la droite pour c.a. haut ou à la gauche pour c.a. bas ou pour c.c.
5. Bouton De Réglage De L'Ampérage Infini - tourne dans le sens des aiguilles d'une montre pour augmenter l'ampérage, et dans le

- sens contraire pour réduire l'ampérage.
- 6. Indicateur d'Amp de Soudage - quand le bouton de réglage de l'ampérage (5) est tourné, l'indicateur d'ampérage bouge et indique les amps approx. de soudage.
- 7. Indicateur lumineux de surcharge - s'allume si le facteur d'utilisation est dépassé.
- 8. Voyant indicateur de courant - s'allume lorsque l'appareil est sous tension.

Généralités Sur La Sécurité

DANGER Danger indicatif: Ne pas suivre cet avertissement causera la perte de vie ou blessures graves.

AVERTISSEMENT Avertissement indicatif: Ne pas suivre cet avertissement peut causer la perte de vie ou blessures graves.

ATTENTION Attention indicatif: Ne pas suivre cet avertissement peut causer des blessures (légères ou moyennes) ou dommage matériel.

MÉMENTO: Gardez votre preuve datée d'achat à fin de la garantie!
Joignez-la à ce manuel ou classez-la dans un dossier pour plus de sécurité.

Soudeur À L'Arc Au Métal Enrobé

Remarque: Remarque indique: Information additionnelle concernant le produit ou son utilisation.

⚠️ AVERTISSEMENT

Toujours avoir un extincteur d'incendie disponible pendant le soudage à l'arc.



- Lire et comprendre toutes instructions avant de démarrer un soudeur à l'arc ou de procéder à son entretien. Ne pas suivre les précautions et instructions de sécurité peut mener à des blessures graves, perte de vie ou dommage matériel. Pour plus d'information concernant la sécurité, obtenir la publication ANSI Standard Z49.1 - Safety in Welding and Cutting. Cette publication est disponible à l'American Welding Society, 550 NW. LeJune Rd., Miami, FL 33135.
- Toute installation, entretien, réparation et utilisation de cet équipement doivent être effectués par des personnes qualifiées conformément aux codes nationaux, provinciaux et locaux.

⚠️ AVERTISSEMENT

La mauvaise utilisation des soudeurs à l'arc peut mener à des chocs électriques, blessures, et perte de vie ! Suivre toutes les précautions indiquées dans ce manuel afin de réduire le risque de choc électrique.



- S'assurer que toutes les pièces du soudeur à l'arc sont propres et en bon état avant d'utiliser le soudeur. S'assurer que l'isolation sur tous les câbles, porte-électrodes et cordons d'alimentation n'est pas endommagée. Toujours réparer ou remplacer les pièces détachées qui sont endommagées avant d'utiliser le soudeur. Toujours maintenir les panneaux et couvercles de soudage en place pendant l'utilisation du soudeur.
- Toujours porter des vêtements protecteurs et gants de soudage secs, et des chaussures isolantes.
- Toujours utiliser le soudeur dans un endroit propre, sec et bien ventilé. Ne jamais utiliser de soudeur dans un endroit humide, trempé, pluvieux,

ou mal-ventilé.

- S'assurer que l'objet sur lequel vous travaillez est bien fixé et mis à la terre correctement avant de commencer votre soudage électrique à l'arc.
- Le câble de soudage roulé devrait être déroulé avant l'utilisation afin d'éviter le surchauffage et les dommages à l'isolation.

⚠️ DANGER

Ne jamais immerger l'électrode ou le porte-électrode dans l'eau. Si le soudeur devient trempé, il est nécessaire qu'il soit complètement sec et propre avant l'utilisation!

- Toujours mettre l'équipement hors circuit et le débrancher avant de le déplacer.
- Toujours brancher d'abord le conducteur de terre.
- Vérifier que l'objet sur lequel vous travaillez soit mis à la terre correctement.
- Toujours mettre l'équipement de soudage électrique à l'arc hors circuit s'il n'est pas utilisé et enlever l'électrode du porte-électrode.
- Ne jamais permettre que votre corps touche l'électrode et le contact à la terre, ou l'objet sur lequel vous travaillez en même temps.

- Les conditions et positions de soudage difficiles peuvent poser des risques électriques. Si vous êtes accroupis, à genoux ou surélevé, s'assurer que toutes les pièces conductrices sont isolées. Porter des vêtements protecteurs convenables et prendre des précautions contre les chutes.

- Ne jamais essayer d'utiliser cet équipement aux réglages de courant ou facteurs d'utilisation plus hauts que ceux indiqués sur les étiquettes de l'équipement.
- Ne jamais utiliser de soudeur électrique à arc pour décongeler les tuyaux congelés.

⚠️ AVERTISSEMENT

Les étincelles volantes et le métal chaud peuvent causer des blessures. La scorie peut s'échapper quand



les soudures refroidissent. Prendre toutes les précautions indiquées dans ce manuel pour réduire la possibilité de blessure par les étincelles volantes et le métal chaud.

- Porter un masque de soudure approuvé par ANSI ou des lunettes protectrices avec écrans protecteurs latéraux pendant le burinage ou l'ébarbage des pièces en métal.
- Utiliser des protège-tympons pour le soudage aérien afin d'éviter que la scorie ou la bavure tombe dans les oreilles.

⚠️ AVERTISSEMENT

Le soudage électrique à l'arc produit une lumière intense, de la chaleur et des rayons ultraviolets (UV). Cette lumière intense et ces rayons UV peuvent causer des blessures aux yeux et à la peau. Prendre toutes les précautions indiquées dans ce manuel afin de réduire la possibilité de blessure aux yeux et à la peau.



- Toutes les personnes qui utilisent cet équipement ou qui sont sur place pendant l'utilisation de l'équipement doivent porter des vêtements de soudage protecteurs y compris: masque ou casque de soudeur ou écran avec filtre indiqué sur le tableau suivant, vêtements incombustibles, gants de soudeur en cuir, et protection complète pour les pieds.

Courant (Amps)	Lentille Filtrante
Jusqu'à 160 Amps	10
160 À 250 Amps	12

⚠️ AVERTISSEMENT

Ne jamais observer le soudage sans protection pour les yeux indiqué ci-dessus. Ne jamais utiliser de lentille filtrante fendue, cassée, ou classifiée moins que 10. Avertir les autres personnes sur place de ne pas regarder l'arc.

⚠️ AVERTISSEMENT

Le soudage électrique à l'arc produit des étincelles et chauffe le métal à des températures qui peuvent causer des brûlures graves ! Utiliser des gants et des vêtements



Sírvase leer y guardar estas instrucciones. Lea con cuidado antes de tratar de armar, instalar, manejar o darle servicio al producto descrito en este manual. Protéjase Ud. y a los demás observando todas las reglas de seguridad. El no seguir las instrucciones podría resultar en heridas y/o daños a su propiedad. Guarde este manual como referencia.

CAMPBELL Hausfeld Soldadora De Arco Con Electrodo Revestido

BUILT TO LAST

Descripción

Esta soldadora de la Campbell Hausfeld es un modelo eléctrico de 230 amperios. Esta soldadora viene equipada con un control de amperaje para usarla con corriente alterna o directa (C.A o C.D.) el cual le permite seleccionar con exactitud la co-riente adecuada para diferentes aplicaciones. Las piezas internas están protegidas por un protector térmico.

Esta soldadora está diseñada para el uso en procesos de soldar con arcos con fundente revestido. Como se entrega de fábrica, esta soldadora puede soldar con electrodos de hasta 4 mm (5/32") de diámetro.

Para desempeñar

Al desempacar este producto, revíselo con cuidado para cerciorarse de que esté en perfecto estado. Igualmente, cerciórese de apretar todos los pernos, tuercas y conexiones antes de usarlo.

Requerimientos eléctricos

⚠️ PRECAUCION Este equipo requiere un circuito de 115 voltios. Vea la tabla a continuación donde se le explica el tipo de cortacircuitos o fusibles necesarios. Nunca conecte otros artefactos, lámparas o herramientas al mismo circuito donde está conectado la soldadora. No le recomendamos el uso de cordones de extensión. Si no sigue esta recomendación podría activarse el cortacircuitos o quemarse los fusibles.

Especificaciones

Voltaje para soldar	31v AC
Amperaje para soldar	180a AC
Ciclo de trabajo	20%
Voltaje Máx. Del Circuito abierto	65 Volt AC

Voltaje de entrada 230 v AC
Amperaje de entrada vea la tabla
Longitud del cordón eléctrico 6 pies
Longitud del cordón del electrodo 10 pies

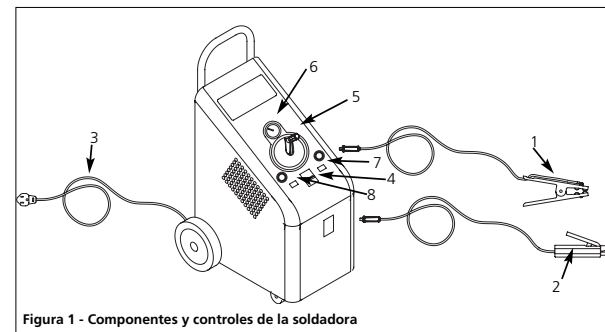


Figura 1 - Componentes y controles de la soldadora

Longitud del cordón de conexión a tierra10 pies
Ciclos 60 Hz

Tipo de corriente	Cortacircuito o Fusible de acción retardada
C.A.	50 a

⚠️ ADVERTENCIA

La pinza que sostiene el electrodo tiene "tensión" (podría conducir electricidad) mientras la máquina está encendida.

Componentes y Controles

1. Pinza de trabajo – se conecta a la pieza de trabajo
2. Portaelectrodo – sostiene el electrodo.
3. Cordón eléctrico – Conéctelo a un tomacorrientes de 230 voltios
4. Interruptor – Gírelo en el mismo sentido de las agujas del reloj para usar C.A. alta o en sentido contrario para usar C.A. baja o C.D.
5. Control del amperaje – Gírelo en el mismo sentido de las agujas del reloj para subir el amperaje y en sentido contrario para bajarlo.
6. Indicador – al girar el control (5) este indicador le muestra el nuevo

valor aproximado del amperaje.
7. Luz indicadora de sobrecarga – Se enciende cuando haya excedido el ciclo de trabajo.

8. Luz indicadora de corriente – se ilumina cuando la unidad tiene corriente.

Informaciones Generales de Seguridad

⚠️ PELIGRO Esto le indica una situación que le ocasionará heridas graves o la muerte si ignora lo advertido.

⚠️ ADVERTENCIA Esto le indica una situación que podría ocasionarle heridas graves o la muerte si ignora lo advertido.

⚠️ PRECAUCION Esto le indica una situación que puede ocasionarle heridas si ignora lo advertido. También le puede indicar una situación que ocasionaría daños a su propiedad solamente.

Nota: se indica cualquier otra información adicional en relación al producto o su uso adecuado.

RECORDATORIO: ¡Guarde su comprobante de compra con fecha para fines de la garantía! Adjúntela a este manual o archívela en lugar seguro.

Soudeur À L'Arc Au Métal Enrobé

National Standards Institute, 1430 Broadway, New York, NY 10018

Se référer aux Material Safety Data Sheets (fiches de sécurité) et aux instructions du fabricant pour les métaux, électrodes, enduits et produits pour le nettoyage.

Installation

Emplacement

Le choix d'un bon endroit peut améliorer le rendement, le fonctionnement et la durée de vie utile du soudeur à l'arc.

- Pour un meilleur résultat, placer le soudeur dans un endroit propre et sec. Éviter les endroits qui sont exposés aux températures hautes, à une humidité élevée, à la poussière et aux vapeurs corrosives. L'humidité élevée produit de la condensation sur les pièces électriques. L'humidité peut contribuer à la corrosion et causer un court-circuit dans les pièces électriques. La poussière et la saleté dans le soudeur conservent l'humidité et augmentent l'usure des pièces mobiles.

- Choisir un endroit pour le soudeur qui fournit au moins douze po (305 mm) d'espace de ventilation en avant et en arrière du modèle. Ne pas obstruer cet espace de ventilation.

- Ranger les électrodes dans un endroit propre, sec à faible humidité, tel que le contenant d'électrodes WT2240 pour conserver son enduit.

- Le panneau de contrôle du soudeur contient de l'information sur la bonne tension et le bon ampérage. Suivre les spécifications sur le panneau avant du soudeur.

- La prise de courant utilisée pour le soudeur doit être mise à la terre correctement et le soudeur doit être le seul appareil de charge sur le circuit. Se référer au tableau d'ampères de Circuit dans la section de Spécifications pour la bonne capacité du circuit.

- Il n'est pas recommandé d'utiliser de rallonge pour les soudeurs

électriques à l'arc. La perte de tension dans la rallonge peut réduire le rendement du soudeur.

ASSEMBLAGE DU MANCHE (Voir la figure 2)

1. Placer les embouts sur le manche.
2. Le manche se fixe en deux positions (élevée ou basse). Utiliser les quatre vis et rondelles fournies et fixer le manche à l'arrière du boîtier.

ASSEMBLAGE DES ROUES (Voir la figure 2)

1. Glisser l'essieu dans les trous sur les côtés du boîtier.
2. Glisser les roues sur l'essieu et frapper délicatement pour mettre les écrous d'arrêt en place dans les rainures de l'essieu.

ASSEMBLAGE DES ROULETTES (Voir la figure 2)

1. Utiliser les huit vis et rondelles fournies et placer les roulettes au bas du boîtier.

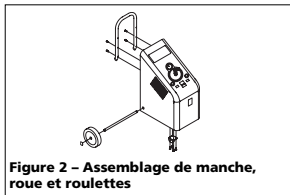


Figure 2 - Assemblage de manche, roue et roulettes

ASSEMBLAGE DE LA CHEVILLE DINSE (Voir la figure 3)

1. Dénuder 1/2 po (1,27 cm) d'isolant à l'extrémité du câble du côté opposé des raccords sertis.
2. Insérer cette extrémité du câble de soudage dans la tétine de la cheville dinse et glisser le fil dénudé dans le manchon de cuivre.
3. Insérer le manchon de cuivre/câble de soudage à l'arrière de la cheville dinse.
4. Resserer les vis de réglage, fixant ainsi le câble en place.
5. Glisser la tétine sur la partie hexagonale de la cheville dinse.
6. Répétez pour l'autre fil.

ASSEMBLAGE DE LA BRIDE DE SERRAGE (Voir la figure 4)

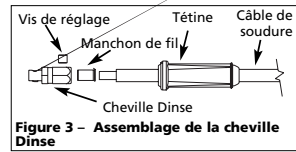


Figure 3 - Assemblage de la cheville Dinse

1. Retirer un écrou hexagonal de la bride de serrage.
2. Glisser le câble de soudage avec le connecteur à anneau dans le trou de la bride de serrage.
3. Fixer le connecteur à anneau à la bride de serrage avec l'écrou hexagonal retiré à l'étape 1.

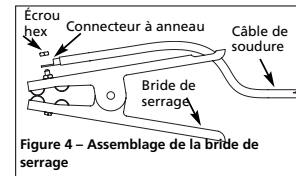


Figure 4 - Assemblage de la bride de serrage

ELECTRODE HOLDER ASSEMBLY (See Figure 5)

1. Desserrer la vis de réglage dans le porte-électrode de quelques tours. **Ne pas retirer entièrement cette vis.** Retirer le manche isolant et le glisser sur l'extrémité du câble avec le manchon serti.
2. Desserrer la vis de réglage du câble au bas du corps de laiton du porte-électrode.
3. Glisser le manchon serti/câble de soudage à l'arrière du corps de laiton, en alignant le côté plat du connecteur serti avec la face de la vis de réglage du câble.
4. Resserer la vis de réglage du câble pour bien fixer le manchon serti/câble de soudage.
5. Glisser le manche isolé dans le porte-électrode et resserer la vis de réglage du manche. **Ne pas trop resserer cette vis car cela endommagera le manche isolé.**

ASSEMBLAGE DU MASQUE DE SOUDAGE À MAIN (Voir les figures 6 et 7).

1. Couper les raidisseurs de retenue et

Lexique De Termes De Soudage

Courant Alternatif ou c.a. - courant électrique qui change de direction périodiquement. Le courant à soixante cycles voyage dans les deux directions soixante fois par seconde.

Longueur de L'Arc - La distance du bout de l'électrode jusqu'au point où l'arc contacte la surface de travail.

Matériel Commun - le matériel qui doit être soudé.

Joint en Bout - un joint entre deux pièces qui sont alignées approximativement dans le même plan.

Cratère - une flaque ou poche qui est produite quand l'arc contacte le métal.

Courant Continu ou c.c. - courant électrique d'une direction seulement. La polarité (+ ou -) détermine la direction du courant.

Polarité Inversée c.c. - quand le porte-électrode est branché au pôle positif du soudeur. La Polarité Inversée dirige plus de chaleur dans l'électrode plutôt que sur l'objet de travail pour l'utilisation sur les matériaux plus minces.

Polarité Ordinaire c.c. - quand le porte-électrode est branché au pôle négatif du soudeur. Plus de chaleur est dirigé vers l'objet de travail pour meilleur pénétration des matériaux épais.

Électrode - un fil en métal enrobé ayant approximativement la même composition du matériel qui doit être soudé.

Soudure en Cordon - dimension approx. d'un triangle, profil en travers, qui uni les deux surfaces à angles droits en soudure à recouvrement, en T ou en coin.

Flux - un enduit qui produit un gaz protecteur autour de l'endroit de soudage. Ce gaz protège les métaux contre les polluants dans l'air.

Soudure À L'Arc Fourré de Flux - ou Sans-gaz est une méthode de soudage utilisée avec un soudeur à alimentation en fil. Le fil de soudage est tubulaire avec du flux à l'intérieur pour protection.

Soudure À L'Arc au chalumeau - est une méthode utilisée avec un soudeur à alimentation en fil. Le fil est solide et un gaz inerte est utilisé pour protection.

Soudure À L'Arc Tungstène au chalumeau - est une méthode de soudage utilisée avec de l'équipement de soudage qui a une génératrice à haute fréquence. L'arc est créée entre un électrode tungstène non-usable et l'objet de travail. Du bouche-pores peut être utilisé.

Soudure à Recouvrement - un joint entre deux pièces en chevauchement.

Tension au Repos - la tension entre l'électrode et le collier de mise à la terre du courant quand il n'y a pas de flux de courant (pas de soudage). Ceci détermine la vitesse à laquelle l'arc est amorcé.

Chevauchement - se produit quand l'ampérage est trop basse. En ce cas, le métal fondu tombe de l'électrode sans se fuser dans le métal commun.

Porosité - des soufflures, ou creux formés pendant la solidification de la soudure qui affaiblissent la soudure.

Pénétration - la profondeur que la chaleur affecte l'objet pendant la soudure. Une soudure de haute qualité est celle qui atteint une pénétration de 100%. C'est à dire que l'objet de travail en entier a été chauffé et solidifié à nouveau. Les endroits affectés par la chaleur devraient être visibles sur le sens inverse de la soudure.

Soudure À L'Arc Au Métal Enrobé - est une méthode de soudage qui utilise une électrode usable pour soutenir un arc. L'enduit de flux foud sur l'électrode fournit la protection.

Scorie - une couche d'encrassement de flux qui protège la soudure des oxydes et autres polluants pendant le refroidissement de la soudure. Enlever la scorie après que la soudure s'est refroidie.

Bavure - particules métalliques volantes qui se refroidissent sur la surface de travail. La bavure peut être diminuée si vous utilisez un agent vaporisateur qui résiste à la bavure sur l'objet de travail avant de souder.

Point de Soudure - une soudure utilisée pour tenir les pièces en alignement jusqu'à ce que les soudures actuelles sont faites.

L'Électrode dans la ligne de soudure. Ceci est variable, de 5° à 45° selon les conditions.

Joint en T - placer le bord d'un morceau de métal sur l'autre à un angle de 90°.

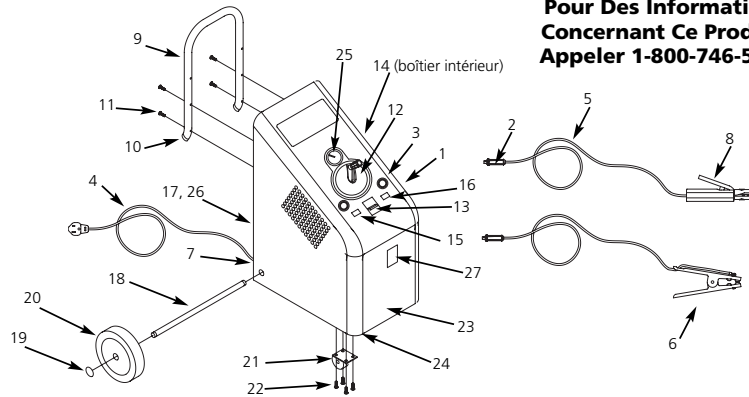
Caniveau - une condition résultant d'un ampérage trop haut qui produit une rainure dans le métal commun le long des deux côtés du cordon de soudure et sert à affaiblir la soudure.

Flaque de Soudure - un volume de métal fondu dans une soudure avant son solidification.

Cordon de Soudage - une couche(s) étroite de métal placé sur le métal commun pendant que l'électrode fond. Le cordon de soudage est typiquement deux fois le diamètre de l'électrode.

Angle de Travail - l'angle de l'électrode à angle droit de la ligne de soudure, électrode.

Modèle WS2800



Pour Des Informations
Concernant Ce Produit,
Appeler 1-800-746-5641

Figure 16 - Pièces de Rechange

Liste De Pièces De Rechange

N° de Réf.	Description	Numéro de Pièce	Qté
1	Décalque, avertissement ▲	DK683400AV	1
2	Connecteur, dinse	WC000200AV	2
3	Emboîtement, dinse	WC000300AV	2
4	Cordon amovible, courant – 230V, 50A (NEMA 6-50P), 7 pieds (213 cm), 12AWGX3C, Type SJT	*	1
5	Câble, soudage – 5 AWG (15 mm ²) x 10 pieds (305 cm)	WC000800AV	2
6	Pince, travail – 250A	WC100100AV	1
7	Serrage ▲	WC102400AV	1
8	Support, électrode – 300A	WC200200AV	1
9	Manche	WC301600AV	1
10	Cheville, tubulure – 0,94 po (24 mm) DE	WC301601AV	2
11	Taraudeuse, vis – M4-0.7 X 35 mm (manche)	*	4
12	Trousse de manivelle (inclut manivelle, boulon, rondelles et écrou)	WC302300S	1
13	Interrupteur, courant	WC402400AV	1
14	Interrupteur, thermique ▲	WC402500AV	1
15	Voyant – vert	WC402600AV	1
16	Voyant – jaune	WC402700AV	1
17	Ventilateur ▲	WC402800AV	1
18	Essieu	WC704300AV	1
19	Écrou autofileur	WC704301AV	2
20	Roue	WC704400AV	2
21	Roulette	WC704500AV	2
22	Vis, taraudeuse – M4-0.7 X 10 mm (roulette)	*	8
23	Porte	WC705100AV	1
24	Fiche, charnière ▲	WC705300AV	2
25	Aiguille, jauge	WC705500AV	1
26	Grille, ventilateur	WC706200AV	1
27	Verrou, porte	WC706300AV	1
28	Lentille, soudage – Écran 10, 2x4-1/4 po (51x108 mm) ▲	WC801100AV	1
29	Masque à main ▲	WC801300AV	1
30	Marteau/brosse de piquage ▲	WC803000AV	1

* Quincaillerie standard disponible à votre quincaillerie ou fournisseur de soudage local.

▲ Non illustré

Modèle WS2800

le manche amovible loin du masque.
Tailler le surplus de plastique pour
retirer les bords tranchants.

- Insérer la lentille filtrante.
- Fixer les raidisseurs sur les goupilles des pattes de fixation de la lentille.
- Pour fixer le manche, placer le masque sur une surface plane et presser le manche en place

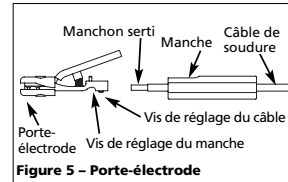


Figure 5 - Porte-électrode

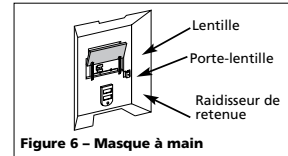


Figure 6 - Masque à main

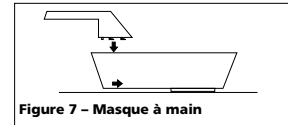


Figure 7 - Masque à main

MONTAGE DU CASQUE DE SOUDEUR - Modèles promotionnels seulement

- Modèle WT1000 (Voir Figure 8)
- Retirer les dispositifs de retenue de la lentille du casque.
 - Placer d'abord la lentille transparente dans le casque, puis la lentille ombragée dans le casque. La lentille transparente devrait être à l'extérieur puisque sa raison d'être est de protéger la lentille ombragée des étincelles et des projections. Fixer les deux lentilles en encliquetant le dispositif de retenue des lentilles en place.
 - Positionner le bras de réglage du côté droit du casque. Placer la petite goupille du bras dans l'un des petits trous du casque. Ce réglage contrôle

l'ajustement du casque lorsqu'il est abaissé et se repositionne facilement au besoin.

- Positionner le protège-tête à l'intérieur du casque. Assembler le casque en insérant la vis d'ancrage dans le protège-tête et dans le casque (et le bras de réglage du côté droit) puis dans l'écrou de tension, tel qu'illustré. Ne pas resserrer l'écrou de tension jusqu'au bout.
- Faire l'essai de l'ajustement du casque de soudeur. Ajuster la bande à cliquet du protège-tête à une position confortable et abaisser le casque. Si celui-ci est trop près ou trop loin du visage, utiliser un trou différent pour le bras de réglage. Ajuster les écrous de tension pour que le casque s'abaisse facilement sur le visage en penchant la tête.

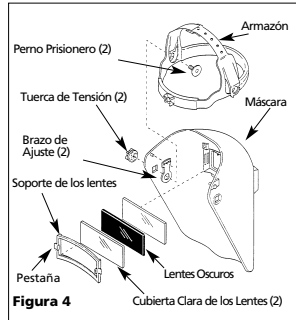


Figure 4

Fonctionnement

- Lire, comprendre, et suivre toutes les précautions dans la section Généralités Sur La Sécurité. Lire la section entière Directives De Soudage avant d'utiliser l'équipement.
- Mettre le soudeur hors circuit et le brancher dans la prise de courant convenable:
230V-50A - électrodes c.a.
- Vérifier si les surfaces du métal sont libres de saleté, rouille, peinture, huile, écailles ou autres polluants avant de les souder ensemble. Ces polluants peuvent causer de

mauvaises soudures.

AVERTISSEMENT Toutes personnes utilisant cet équipement ou qui sont dans l'endroit pendant l'utilisation de l'équipement doivent porter des vêtements de soudage protecteurs y compris: la protection pour les yeux avec l'écran correct, vêtements incombustibles, gants de soudeur en cuir et la protection complète pour les pieds.

AVERTISSEMENT Pour le chauffage, soudage ou coupage des matériaux qui sont galvanisés, plaqué en zinc, plomb, ou en cadmium, se référer à la section Généralités Sur La Sécurité pour plus d'instructions. Les vapeurs extrêmement toxiques sont produites pendant le chauffage de ces métaux.

- Raccorder le collier de mise à la terre à l'objet de travail ou à l'établi (si en métal). S'assurer que le contact est sûr et non obstrué par la peinture, le vernis, la corrosion, ou autres matériaux non-métalliques.
- Insérer la partie exposée de l'électrode (l'extrémité sans flux) dans les mâchoires du porte-électrode.
- Régler le bouton de réglage d'ampérage au bon endroit pour le diamètre de l'électrode. Se reporter au tableau suivant pour les bons réglages de courant de l'électrode.

Electrode Diamètre	Current Setting (Amps)
3/32 po	60-110
1/8 po	110-160
5/32 po	150-230

AVERTISSEMENT porte-électrode et la baguette sont "chaud" (courant actif) quand le soudeur est en marche. La mise à la terre contre n'importe quelle surface métallique peut produire un arc qui peut causer des étincelles et endommager les yeux.

- Tenir l'électrode et le support loin du travail mis à la masse ou de l'établi. Mettre l'appareil en marche. Un voyant vert s'allume lorsque le courant est en marche.

Soudeur À L'Arc Au Métal Enrobé

8. Tenir l'électrode en position de soudage, baisser la casque de soudeur ou mettre le masque à main en position et produire un arc. Régler l'ampérage si nécessaire.
9. À la fin du soudage, mettre le soudeur hors tension (off) et l'entreposer correctement.

FACTEUR D'UTILISATION / PROTECTION THERMOSTATIQUE

Le facteur d'utilisation de soudage est le pourcentage du temps de soudage actuel qui peut se passer dans un interval de dix minutes. Par exemple, le soudage actuel peut se produire pour une minute à un facteur d'utilisation de 10%, et ensuite, le soudeur doit se refroidir pour neuf minutes.

Les pièces détachées internes de ce soudeur sont protégées contre le surchauffage par interrupteur automatique thermique. Un voyant jaune s'allume sur le panneau de contrôle si le cycle de service est dépassé. Continuer le soudage quand la lampe n'est plus allumée.

Entretien

⚠️ AVERTISSEMENT Débrancher et mettre la machine hors circuit avant de vérifier ou de procéder à l'entretien de n'importe quelle pièce détachée.

Avant chaque usage;

1. Vérifier la condition des câbles de soudage et réparer ou remplacer immédiatement, les câbles qui ont de l'isolation endommagée.
2. Vérifier la condition du cordon d'alimentation et le réparer ou remplacer immédiatement si endommagé.
3. Vérifier la condition des pièces isolantes du porte-électrode et remplacer les isolateurs fendus ou manquants immédiatement. S'assurer que toutes les attaches sont serrées et isolées.

⚠️ AVERTISSEMENT Ne pas utiliser ce soudeur si l'isolation sur les câbles de soudage, le porte-électrode, ou le cordon d'alimentation est fendu ou manquant.

Tous les 3 mois;
Remplacer toutes les étiquettes qui ne sont pas lisibles sur le soudeur. Utiliser de l'air comprimé pour souffler toute la poussière des ouvertures de ventilation.

Directives De Soudage Généralités

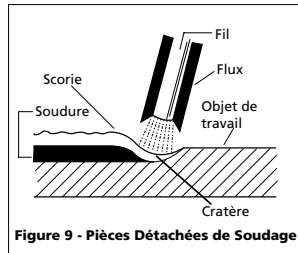
Cette série de soudeurs utilise un procédé appelé Soudage À L'Arc Au Métal Enrobé (Shielded Metal-Arc Welding SMAW). Ce procédé est utilisé pour unir des métaux en les réchauffant avec un arc électrique créé entre l'électrode et l'objet sur lequel vous travaillez.

Les électrodes utilisées pour le soudage à l'arc au métal couvert ont deux pièces. Le centre est une baguette en métal ou un fil qui devrait être de composition semblable au métal commun. L'enrobage extérieur s'appelle le flux. Une variété d'enduits de flux sont disponibles. Chacun est conçu pour une situation de soudage particulière.

Une fois fondu, le métal peut devenir contaminé par des éléments dans l'air. Cette contamination peut affaiblir la soudure. L'enrobage de flux crée une barrière protectrice appelée scorie qui protège le métal fondu contre les éléments polluants.

Quand le courant (ampérage) passe à travers le circuit à l'électrode, un arc est produit entre le bout de l'électrode et l'objet de travail. L'arc fond l'électrode et la pièce de travail. Le métal fondu de l'électrode s'écoule dans le cratère fondu et produit un adhérence avec l'objet.

Remarque: Ne pas utiliser ni jeter les électrodes qui se sont brûlées qu'à 1 à 2 pouces du porte-électrode.



AMORÇAGE D'UN ARC

Placer le bout nu de l'électrode dans le porte-électrode. Tenir le porte-électrode légèrement afin de réduire la fatigue de la main et du bras.

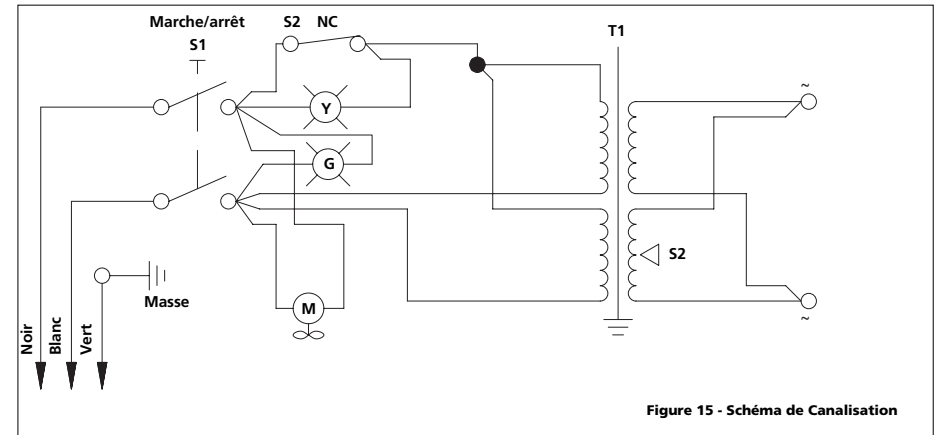
Remarque : Toujours garder les mâchoires du porte-électrode propres pour assurer un bon contact électrique avec l'électrode.

⚠️ AVERTISSEMENT Prendre soin de ne pas toucher l'objet de travail ou l'établi de soudage avec l'électrode. Ceci peut causer un flash d'arc.

Les deux méthodes d'amorçage d'un arc sont la méthode de coup et la méthode d'égratignure. Dans la méthode de coup, l'électrode est dirigée et frappée sur la pièce.

Avec la méthode d'égratignure, l'électrode est entraînée à un angle le long de la surface comparable au frottement d'une allumette. Peu importe la méthode, après le contact avec la plaque, il est nécessaire de soulever l'électrode immédiatement à une distance égale au diamètre de l'électrode, sinon l'électrode sera collée à la surface. Toujours diriger l'électrode dans la soudure.

Remarque: Si l'électrode se colle à l'objet de travail, la dégager en tortillant rapidement ou en pliant et



Garantie Limitée 5-3-1

Garantie Limitée 5-3-1

1. Durée : Le fabricant garantit la réparation, sans frais pour les pièces et main-d'oeuvre, le Soudeur, le Pistolet Soudeur ou Câbles qui se sont révélés défectueux en matière ou fabrication, pendant les durées suivantes après la date d'achat initiale:

- Pour 5 Ans: Le Transformateur de Soudeur et Redresseur
- Pour 3 Ans: Le Soudeur En Entier (à l'exclusion des colliers, pistolet, porte-électrode, câbles, ou accessoires emballés avec le soudeur)
- Pour 1 An: Pincettes de Soudeur, Pistolet MIG, Porte-électrode, Accessoires, et Câbles de Soudage (si applicable)

2. Garantie Accordée Par (Garant) :

Campbell Hausfeld
The Scott Fetzer Company
100 Production Drive
Harrison, OH 45030
Telephone: (513)-367-4811

3. Bénéficiaire De Cette Garantie (Acheteur) :

L'acheteur initial du produit Campbell Hausfeld .

4. Couverture De La Présente Garantie :

Défauts de matière et de fabrication qui se révèlent pendant la période de validité de la garantie. Cette garantie comprend le Soudeur, le Transformateur de Soudeur et Redresseur, Pistolet du Soudeur ou le Porte-Électrode, et câbles seulement.

5. La Présente Garantie Ne Couvre Pas :

- A. Les garanties implicites, y compris celles de commercialisabilité et D'ADAPTION À UNE FONCTION PARTICULIÈRE SONT LIMITÉES EN DURÉE À CETTE GARANTIE. Après cette durée, tout risque de perte, quoi que ce soit, devient la responsabilité de l'acheteur. Certaines Provinces n'autorisent pas de limitations de durée pour les garanties implicites. Les limitations précédentes peuvent donc ne pas s'appliquer.
- B. TOUT DOMMAGE, PERTE OU DÉPENSE FORTUIT OU INDIRECT POUVANT RÉSULTER DE TOUT DÉFAUT, PANNE OU MAUVAIS FONCTIONNEMENT DU PRODUIT CAMPBELL HAUSFELD. Certaines Provinces n'autorisent pas l'exclusion ni la limitation des dommages fortuits ou indirects. La limitation ou exclusion précédente peut donc ne pas s'appliquer.
- C. Les accessoires qui sont compris avec le produit et qui sont soumis à l'usure par l'usage normal; la réparation ou le remplacement de ces objets sont la responsabilité de l'acheteur. Ces pièces MIG comprennent, mais ne sont pas limités à; Pointes De Contact, Buses, Doublures de Pistolet, Rouleaux D'Entraînement, Nettoyant pour Fil en Feutre. Additionnellement, cette garantie ne comprend pas le dommage causé par le remplacement ou entretien prématuré des pièces USABLES précédentes.
- D. Toute panne résultant d'un accident, d'une utilisation abusive, de la négligence ou d'une utilisation ne respectant pas les instructions données dans le(s) manuel(s) accompagnant le produit.
- E. Service avant livraison, i.e. montage et ajustement.

7. Responsabilités Du Garant Aux Termes De Cette Garantie : Réparation ou remplacement, au choix du Garant, des produits ou pièces qui se sont révélés défectueux pendant la durée de validité de la garantie.

8. Responsabilités De L'Acheteur Aux Termes De Cette Garantie :

- A. Livraison ou expédition du produit ou pièce Campbell Hausfeld à Campbell Hausfeld. Taux de frais , si applicable, sont la responsabilité de l'acheteur.
- B. Utilisation et entretien du produit avec un soin raisonnable, ainsi que le décri(vent)t le(s) muel(s) d'utilisation.
- 9. Réparation ou Remplacement Effectué Par Le Garant Aux Termes De La Présente Garantie : La réparation ou le remplacement sera prévu et exécuté en fonction de la charge de travail dans le centre d'entretien et dépendra de la disponibilité des pièces de rechange.

Cette garantie limitée confère des droits précis. L'acheteur peut également jouir d'autres droits qui varient d'une Province à l'autre.

Guide De Dépannage - Soudeur

Symptôme	Cause(s) Possible(s)	Mesures Correctives
Le soudeur ne ronron pas quand il est mis en marche (Voyant vert n'est pas allumé)	1. Manque de puissance à la prise de courant 2. Cordon d'alimentation endommagé	1. Vérifier le fusible du circuit ou le disjoncteur 2. Faire réparer le cordon d'alimentation
Le soudeur ronron, mais ne soude pas	1. Courant insuffisant à l'électrode 2. Mauvais raccords externes au soudeur	1. Vérifier le collier de mise à la terre, le câble et son raccordement à l'objet de travail 2. Vérifier tous raccords externes du soudeur
Le soudeur donne des chocs à goutte	1. Contact accidentel avec l'objet de travail 2. Perte de courant causer par les vêtements ou endroit de travail humides	1. Éviter le contact avec l'objet de travail 2. Assurer que vos vêtements et l'endroit de travail sont secs
Le soudeur surchauffe - fait sauter les fusibles, déclenche le disjoncteur	1. Utilisation d'un cordon prolongateur 2. Diamètre d'électrode trop large 3. Surcharge du circuit	1. Déménager le soudeur si possible afin d'éviter l'usage d'un cordon prolongateur, sinon, utiliser un cordon prolongateur plus épais (N° de calibre plus bas) 2. Utiliser un électrode de diamètre plus petit 3. Cet équipement exige un circuit de 230V unique.
Arc difficile à amorcer	1. Diamètre d'électrode trop large 2. L'objet de travail n'est pas mis à la terre correctement 3. Tension basse causer par le surcharge	1. Utiliser un électrode de diamètre plus petit 2. Vérifier la mise à la terre. (Absence de peinture, vernis ou de corrosion) 3. Faire fonctionner le soudeur sur un circuit de 230V unique.
Cordon de soudure est trop mince par intervalles	1. Vitesse de déplacement irrégulière 2. Réglage de l'ampérage de sortie trop bas	1. Réduire et maintenir la vitesse de déplacement 2. Réglage de l'ampérage de sortie trop bas
Cordon de soudure est trop épais par intervalles	1. Vitesse de déplacement lent et/ou irrégulière 2. Réglage de l'ampérage de sortie trop haute	1. Vitesse de déplacement lent et/ou irrégulière 2. Réglage de l'ampérage de sortie trop haute
Enfoncements en lambeaux au bord de la soudure	1. Vitesse de déplacement trop rapide 2. Arc trop court 3. Réglage de l'ampérage de sortie trop haut	1. Vitesse de déplacement trop rapide 2. Arc trop court 3. Réglage de l'ampérage de sortie trop haut
Le cordon de soudure ne pénètre pas le métal commun	1. Vitesse de déplacement irrégulière 2. Réglage de l'ampérage de sortie trop bas	1. Vitesse de déplacement irrégulière 2. Réglage de l'ampérage de sortie trop bas
L'électrode se colle à l'objet de travail	L'électrode est en contact avec l'objet de travail pendant que l'arc est amorcé	L'électrode est en contact avec l'objet de travail pendant que l'arc est amorcé
Les électrodes crachent et se collent	Électrodes humides	Électrodes humides

Pour Des Informations Concernant Ce Produit,
Appeler 1-800-746-5641

Modèle WS2800

levant à l'endroit du porte-électrode. Si l'électrode ne se dégage pas, la débriquer en la faisant tomber du porte-électrode.

Éléments fondamentaux Du Soudage À L'Arc

Il y a cinq méthodes fondamentales qui ont un effet sur la qualité de la soudure : sélection de l'électrode, réglage du courant, angle de soudure, longueur de l'arc, et vitesse. L'exécution correcte de ces méthodes est nécessaire afin d'atteindre une soudure de bonne qualité.

TYPE ET TAILLE D'ÉLECTRODE

Le choix correct d'électrodes comprend une variété de facteurs tels que la position de soudage, le type de matériel de l'objet de travail, l'épaisseur, et la condition de la surface. L'American Welding Society, (AWS), a regroupé certaines exigences pour chaque type d'électrode.

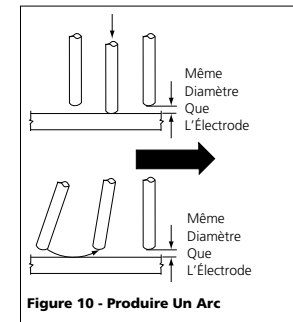
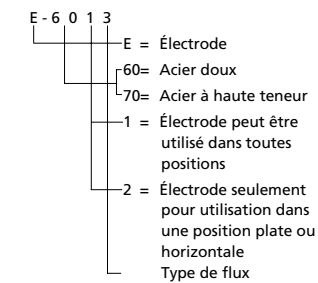


Figure 10 - Produire Un Arc

Classement D'Électrodes AWS



Les électrodes sont classifiées en cinq groupes principaux : acier doux, acier à haute teneur en carbone, acier spécial allié, fonte et non-ferreux tel que l'aluminium. La plupart du soudage à l'arc est effectué avec les électrodes de classification acier doux. La composition de l'électrode doit correspondre avec le matériel de l'objet de travail.

Les enduits de flux sont fabriqués pour l'utilisation avec c.a. (courant alternatif), c.c. (courant continu) polarité inversée, ou c.c. polarité ordinaire. Quelques uns fonctionnent aussi bien avec c.a. et c.c.

ÉLECTRODES COMMUNES

1. E-6011 PÉNÉTRATION CREUSE

- La puissance de l'arc et la solidification rapide du métal facilite le soudage aérien et vertical avec cette baguette.
- Si vous n'avez pas le temps d'enlever la rouille, écailles ou peinture, la pénétration avec cette baguette est rapide et facile.
- Acceptable pour le soudage de courant alternatif ou continu (c.a. ou c.c.) (polarité inversée).

2. E-6013 TOUT USAGE

- Baguette pour toutes positions,

dépôt lisse avec éclaoussure basse.

- Pour tout acier doux et travaux généraux.
- Acceptable pour la soudure à courant alternatif ou continu (AC ou DC) (polarité ordinaire ou inversée).

3. E-7014 POUDRE EN FER

- Une baguette de "trainage" pour tout usage et toutes positions.
- Idéal pour situations de mauvais ajustage entre les pièces de métal.
- La poudre en fer dans l'enrobage du flux se mélange avec la baguette de remplissage afin de produire un dépôt lisse avec peu d'éclaoussage.

- Idéal pour les travaux décoratifs.

- Acceptable pour le soudage à courant alternatif ou continu (c.a. ou c.c.) (polarité inversée).

4. E-7018 HYDROGÈNE BAS

- Une électrode à haute résistance, pour toutes positions, conçue pour la production d'hydrogène faible avec propriété mécanique excellente.
- Acceptable pour le soudage à courant alternatif ou contenu (c.a. ou c.c.) (polarité inversée).

COURANT

Le bon courant exige un ajustement du soudeur au réglage d'ampérage exigé. Le courant représente le flux d'électricité actuel et peut être réglé avec un bouton sur le soudeur. Le courant utilisé dépend de la taille (diamètre) et du type d'électrode utilisée, position de la soudure, et l'épaisseur de l'objet. Consulter les spécifications indiquées sur l'emballage de l'électrode ou le tableau général de la section d'opération. Le courant excessif brûle à travers le métal léger, et le cordon de

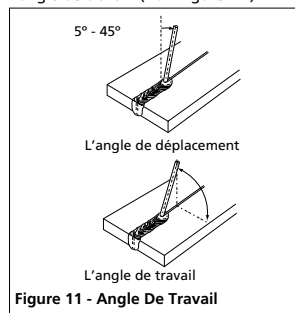
Soudeur À L'Arc Au Métal Enrobé

soudure est plat et poreux ou le cordon de soudure peut sous-caver l'objet (Voir Fig. 10). Le cordon de soudure paraît trop haut et irrégulier si le courant est trop bas.

ANGLE DE SOUDURE

L'angle de soudure est l'angle de l'électrode pendant le soudage. L'utilisation du bon angle assure la pénétration et la formation du cordon de soudure exigé. L'angle de l'électrode est un facteur très important pour obtenir une soudure de bonne qualité dans des positions de soudure différents.

L'angle de l'électrode comprend deux positions - l'angle de déplacement et l'angle de travail. (Voir Figure 11.)



L'angle de déplacement est l'angle situé dans la ligne de la soudure et peut être variable de 5° à 45° de la verticale selon les conditions de soudage.

L'angle de travail est l'angle de l'horizontale, mesuré aux angles droits à la ligne de soudage.

Un angle de travail de 45° et un angle de déplacement de 45° sont suffisants pour la plupart des applications. Pour les applications spécifiques, consulter un manuel de soudage à l'arc.

Remarque: Les soudeurs droitiers devraient souder de la gauche à la droite. Les soudeurs gauchers devraient

souder de la droite à la gauche. L'électrode devrait toujours être dirigée vers le flaque de la soudure comme indiqué.

LONGUEUR DE L'ARC

La longueur de l'arc est la distance de l'objet de travail jusqu'au bout de l'électrode; la distance de déplacement de l'arc. Une longueur d'arc correcte est nécessaire pour la production de chaleur exigée pour le soudage (Voir Fig. 14). Un arc qui est trop long produit un arc instable, réduit la pénétration, augmente l'éclaboussage, et produit des cordons de soudure plats et larges. Un arc trop court ne produit pas assez de chaleur pour fondre l'objet de travail, l'électrode se colle facilement, la pénétration n'est pas suffisante, et les cordons de soudure sont inégaux avec des ondulations irrégulières. L'arc ne devrait pas être plus long que le diamètre de la baguette et son bruit devrait être un grésillement constant comme le grésillement du bacon.

VITESSE DE DÉPLACEMENT

La vitesse de déplacement indique la vitesse à laquelle l'électrode est dirigée le long de la surface de soudage. Le diamètre et le type d'électrode, l'ampérage, la position, et l'épaisseur de l'objet de travail ont tous un effet sur la vitesse de déplacement et peuvent avoir un effet sur la qualité de la soudure. (Voir Fig. 14). Si la vitesse est trop rapide, le cordon est étroit et les ondulations du cordon sont pointues comme indiqué. Si la vitesse est trop lente, la soudure se tasse et le cordon est haut et large.

RETRAIT DES SCORIES

AVERTISSEMENT Porter des lunettes protectrices approuvées ANSI (ANSI Standard Z87.1) et des vêtements protecteurs pour enlever les scories chaudes. Les débris chauds et volants peuvent causer de blessures.

Après avoir terminé la soudure, attendre que les sections de soudage refroidissent. Une couche protectrice appelée scorie couvre le cordon de

soudure qui empêche la réaction du métal fondu avec les polluants dans l'air. La scorie peut être enlevée une fois que la soudure a refroidi assez et lorsqu'elle n'est plus rouge. Enlever la scorie avec un marteau à buriner. Frapper la scorie légèrement avec le marteau et la dégager du cordon de soudure. Finir avec une brosse métallique.

Enlever la scorie avant chacune des passes multiples.

POSITIONS DE SOUDAGE

Il y a quatre positions générales de soudage : plate, horizontale, verticale, et aérienne. La vitesse peut être augmentée, le métal fondu coule moins, une meilleure pénétration est possible, et le travail est moins fatiguant. Le soudage est effectué avec une électrode à un angle de déplacement de 45° et un angle de travail de 45°.

Les autres positions exigent d'autres techniques tels que le tissage, passe circulaire, et jogging. Il faut une plus grande compétence pour ces soudures.

La soudure aérienne est la position plus difficile et dangereuse. Le réglage de la chaleur et la sélection d'électrode varient selon la position.

Tout le travail devrait être effectué dans la position plate si possible. Pour les applications spécifiques, consulter un manuel de soudage.

PASSES DE SOUDAGE

Quelque fois il est nécessaire d'utiliser plus qu'une passe pour remplir le joint (Voir Fig. 8 et 9). Si les pièces sont épaisses, il est peut être nécessaire de biseauter les bords qui sont unis à un angle de 60°. Enlever la scorie avant chaque passe.

Modèle WS2800

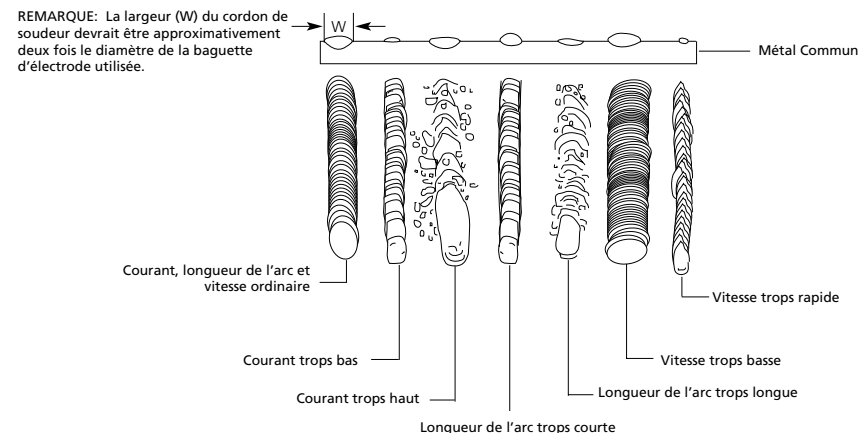
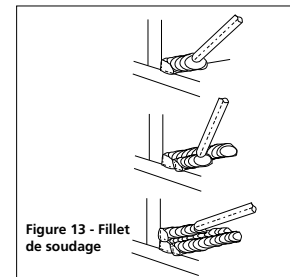
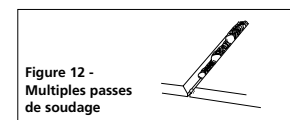


Figure 14 - Apparence de la Soudure