

Please read and save these instructions. Read carefully before attempting to assemble, install, operate or maintain the product described. Protect yourself and others by observing all safety information. Failure to comply with instructions could result in personal injury and/or property damage! Retain instructions for future reference.

Stationary Air Compressor

Description

Air compressor units are intended to provide compressed air to power pneumatic tools and operate spray guns. The pumps supplied are oil lubricated. A small amount of oil carryover is present in the compressed air stream. Applications requiring air free of oil or water should have the appropriate filter installed. The air compressor unit must be mounted as described in the instructions on a solid floor. Any other use of these units will void the warranty and the manufacturer will not be responsible for problems or damages resulting from such misuse.

Safety Guidelines

This manual contains information that is very important to know and understand. This information is provided for SAFETY and to PREVENT EQUIPMENT PROBLEMS. To help recognize this information, observe the following symbols.

⚠ DANGER *Danger indicates an imminently hazardous situation which, if not avoided, will result in death or serious injury.*

⚠ WARNING *Warning indicates a potentially hazardous situation which, if not avoided, could result in death or serious injury.*

⚠ CAUTION *Caution indicates a potentially hazardous situation which, if not avoided, MAY result in minor or moderate injury.*

NOTICE *Notice indicates important information, that if not followed, may cause damage to equipment.*

Unpacking

After unpacking the unit, inspect carefully for any damage that may have occurred during transit. Make sure to

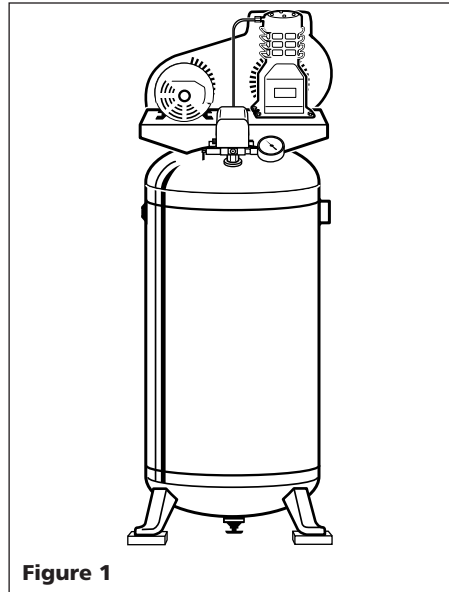


Figure 1

tighten fittings, bolts, etc., before putting unit into service.

⚠ WARNING *Do not operate unit if damaged during shipping, handling or use. Damage may result in bursting and cause injury or property damage.*

General Safety

Since the air compressor and other components (material pump, spray guns, filters, lubricators, hoses, etc.) used, make up a high pressure pumping system, the following safety precautions must be observed at all times:

1. Read all manuals included with this product carefully. Be thoroughly familiar with the controls and the proper use of the equipment.
2. Follow all local electrical and safety codes as well as in the United States, the National Electrical Codes (NEC) and Occupational Safety and Health Act (OSHA).



⚠ DANGER

Breathable Air Warning

This compressor/pump is NOT equipped and should NOT be used "as is" to supply breathing quality air. For any application of air for human consumption, you must fit the air compressor/pump with suitable in-line safety and alarm equipment. This additional equipment is necessary to properly filter and purify the air to meet minimal specifications for Grade D breathing as described in Compressed Gas Association Commodity Specification G 7.1 - 1966, OSHA 29 CFR 1910. 134, and/or Canadian Standards Associations (CSA).

DISCLAIMER OF WARRANTIES
In the event the compressor is used for the purpose of breathing air application and proper in-line safety and alarm equipment is not simultaneously used, existing warranties are void, and Campbell Hausfeld disclaims any liability whatsoever for any loss, personal injury or damage.

3. Only persons well acquainted with these rules of safe operation should be allowed to use the compressor.
4. Keep visitors away and NEVER allow children in the work area.
5. Wear safety glasses and use hearing protection when operating the unit.
6. Do not stand on or use the unit as a handhold.
7. Before each use, inspect compressed air system and electrical components for signs of damage,



REMINDER: Keep your dated proof of purchase for warranty purposes! Attach it to this manual or file it for safekeeping.

General Safety (Con't)

deterioration, weakness or leakage. Repair or replace defective items before using.

- Check all fasteners at frequent intervals for proper tightness.

⚠WARNING

Motors, electrical equipment and controls can cause electrical arcs that will ignite a flammable gas or vapor. Never operate or repair in or near a flammable gas or vapor. Never store flammable liquids or gases in the vicinity of the compressor.



⚠WARNING

Never operate compressor without a beltguard. This unit can start automatically without warning. Personal injury or property damage could occur from contact with moving parts.



- Do not wear loose clothing or jewelry that will get caught in the moving parts of the unit.

⚠CAUTION

Compressor parts may be hot even if the unit is stopped.



- Keep fingers away from a running compressor; fast moving and hot parts will cause injury and/or burns.
- If the equipment should start to vibrate abnormally, STOP the engine/motor and check immediately for the cause. Vibration is generally a warning of trouble.
- To reduce fire hazard, keep engine/motor exterior free of oil, solvent, or excessive grease.

⚠WARNING

An ASME code safety relief valve with a setting no higher than 150 psi MUST be installed in the tank for this compressor. The ASME safety valve must have sufficient flow and pressure ratings to protect the pressurized components from bursting.

⚠CAUTION

See compressor specification decal for maximum operating pressure. Do not operate with pressure switch or pilot valves set higher than the maximum operating pressure.

- Never attempt to adjust ASME safety valve. Keep safety valve free from paint and other accumulations.

⚠WARNING

Never use plastic (PVC) pipe for compressed air. Serious injury or death could result.

⚠DANGER

Never attempt to repair or modify a tank! Welding, drilling or any other modification will weaken the tank resulting in damage from rupture or explosion. Always replace worn, cracked or damaged tanks.



NOTICE

Drain liquid from tank daily.

- Tanks rust from moisture build-up, which weakens the tank. Make sure to drain tank regularly and inspect periodically for unsafe conditions such as rust formation and corrosion.
- Fast moving air will stir up dust and debris which may be harmful. Release air slowly when draining moisture or depressurizing the compressor system.

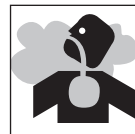
SPRAYING PRECAUTIONS

⚠WARNING

Do not spray flammable materials in vicinity of open flame or near ignition sources including the compressor unit.



- Do not smoke when spraying paint, insecticides, or other flammable substances.
- Use a face mask/respirator when spraying and spray in a well ventilated area to prevent health and fire hazards.
- Do not direct paint or other sprayed material at the compressor. Locate compressor as far away from the spraying area as possible to minimize overspray accumulation on the compressor.
- When spraying or cleaning with solvents or toxic chemicals, follow the instructions provided by the chemical manufacturer.



Introduction

Refer to Figure 2.

INSTALLING A SHUT-OFF VALVE

A shut-off valve should be installed on the discharge port of the tank to control the air flow out of the tank. The valve should be located between the tank and the piping system.

Pressure switch - Auto/Off Switch - In the "auto" position, the compressor shuts off automatically when tank pressure reaches the maximum preset pressure. After air is used from the

tank and drops to a preset low level, the pressure switch automatically turns the motor back on. In the "off" position, the compressor will not operate. This switch should be in the "off" position when connecting or disconnecting the power cord from the electrical outlet.

When the pressure switch turns the motor off you will hear air leaking out of the pressure switch unloader valve for a short time. This releases the air pressure from the discharge tube and allows the compressor to restart easier. For units without a manual switch, whenever the procedures call for turning the switch to the OFF position, use the switch at the disconnect instead.

Unloader - Device on pressure switch which allows pressurized air to vent alleviating motor restarts under load.

Regulator - The regulator controls the amount of air pressure released at the hose outlet (Sold separately).

ASME Safety Valve - This valve automatically releases air if the tank pressure exceeds the preset maximum.

Discharge tube - This tube carries compressed air from the pump to the check valve. This tube becomes very hot during use. To avoid the risk of severe burns, never touch the discharge tube.

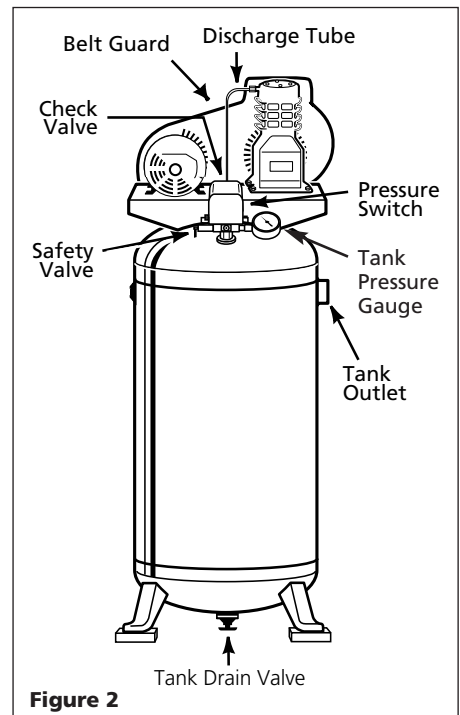


Figure 2

Introduction (Con't)

Check valve - One-way valve that allows air to enter the tank, but prevents air in the tank from flowing back into the compressor pump.

Belt Guard - Covers the belt, motor pulley and flywheel.

Tank Drain Valve - This valve is located on the bottom of the tank. Use this valve to drain moisture from the tank daily to reduce the risk of corrosion.

Reduce tank pressure below 10 psi, then drain moisture from tank daily to avoid tank corrosion. Drain moisture from tank(s) by opening the drain valve located underneath the tank.

Installation

WARNING

Disconnect, tag and lock out power source, then release all pressure from the system before attempting to install, service, relocate or perform any maintenance.



LOCATION

NOTICE *This compressor is not intended for outdoor installation.*

It is extremely important to install the compressor in a clean, well ventilated area where the surrounding air temperature will not be more than 100°F.

Provide a minimum clearance of 18 inches between the compressor flywheel or fan to the wall and ensure clear access to the drain cock to facilitate condensate drainage.

Do not locate the compressor air inlet near steam, paint spray, sandblast areas or any other source of contamination.

MOUNTING

CAUTION *Never use the wood shipping skids for mounting the compressor.*

FLOOR MOUNTING (All Units)

The compressor feet **MUST** be bolted to a flat, even, concrete floor or separate concrete foundation. Vibration isolators **must be** used between the tank leg and the floor (Part number MP3445 available separately). Do not draw bolts tight. Allow the pads to absorb vibrations. A flexible coupling should be installed between the tank and service piping.

WARNING *This compressor is extremely top heavy. The unit must be bolted to the floor with isolation pads or secured with the wall cable (if provided) before operating to prevent equipment damage, injury or death.*

WALL CABLE INSTALLATION (Provided on some 30 gallon models)

On some 30 gallon models a wall cable is provided and should be installed.

Included with the safety cable are two lag screws and washers.

1. Place an isolation pad beneath each foot of the compressor to minimize vibration.
2. Position the cable through the baseplate as shown in Figure 3.

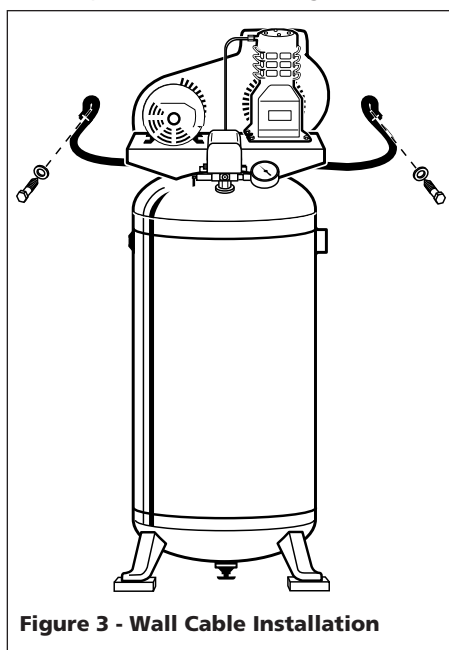


Figure 3 - Wall Cable Installation

3. Place the screws through the washers then through looped ends of cable.
4. Secure the screws to a stud within a framed wall. Use anchors if the wall is concrete.

WARNING *Do not secure the compressor with toggle bolts into drywall. Drywall sheeting or plaster will not support the weight of the compressor.*

WARNING *Never install a shut-off valve between the compressor pump and the tank. Personal injury and/or equipment damage may occur.*

PIPING

WARNING *Never use plastic (PVC) pipe for compressed air. Serious injury or death could result.*

Any tube, pipe, or hose used must have a pressure rating higher than 150 psi.

Minimum recommended pipe size:

- up to 50 feet long use 1/2"
 - greater than 50ft. long use 3/4"
- Larger diameter pipe is always better.

Electrical Installation

HARD WIRED UNITS ONLY

WARNING *All wiring and electrical connections must be performed by a qualified electrician. Installations must be in accordance with local and national codes.*

GROUNDING

This product must be grounded. If the unit comes with a factory installed cord, plug the cord into a properly sized, grounded outlet. For units that do not have a factory installed cord, install permanent wiring from the electrical source to the pressure switch with a ground conductor (PVC) connected to the grounding screw on the pressure switch. A properly sized cord with a ground conductor and plug may also be installed by the user.

DANGER

Improperly grounded motors are shock hazards. Make sure all the equipment is properly grounded.



WIRING

Local electrical wiring codes differ from area to area. Source wiring, plug and protector must be rated for at least the amperage and voltage indicated on the motor nameplate, and meet all electrical codes for this minimum. Use a slow blow fuse type T or a circuit breaker.

CAUTION *Overheating, short circuiting and fire damage will result from inadequate wiring.*

Motor protection should be used when a motor built-in thermal overload protection is not provided. Some 3 phase units require a magnetic starter for thermal protection (See Figure 4).

Installation (Con't)

Electrical Connection

UNITS WITH LINE CORDS ONLY

NOTE: 120 volt, 15 amp units can be operated on a 120 volt 15 amp circuit under the following conditions:

1. No other electrical appliances or lights are connected to the same branch circuit.
2. Voltage supply is normal.
3. Circuit is equipped with a 15 amp circuit breaker or a 15 amp slow blow fuse type T (For Canada use Type D).

If the above conditions cannot be met or if nuisance tripping of the current protection device occurs, it may be necessary to operate the compressor from a 120 volt 20 amp circuit. Some models convert to 240 volt operation, see DUAL VOLTAGE MOTOR.

GROUNDING INSTRUCTIONS

1. This product is for use on a nominal 120 or 240 volt circuit and has a grounding plug that looks like one of the plugs illustrated in Fig. 5. Make sure product is connected to an outlet having the same configuration as the plug. This product must be grounded. In the event of an electric short circuit, grounding reduces the risk of electrical shock by providing an escape wire for the electric current. This product is equipped with a cord having a grounding wire with an appropriate grounding plug. The plug must be plugged into an outlet that is properly installed and grounded in accordance with all local codes and ordinances.

⚠ DANGER

Improper use of grounding plug can result in a risk of electrical shock. Do not use grounding adapter.

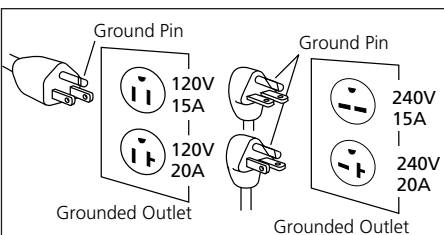


Figure 5

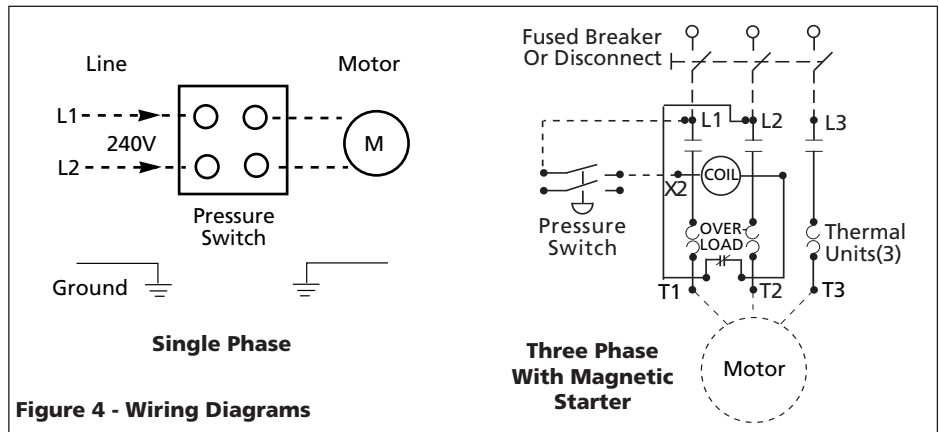


Figure 4 - Wiring Diagrams

2. If repair or replacement of the cord or plug is necessary, do not connect the grounding wire to either flat blade terminal. The wire with insulation having an outer surface that is green with or without yellow stripes is the grounding wire.
3. Check with a qualified electrician or serviceman if the grounding instructions are not completely understood, or if in doubt as to whether the product is properly grounded. Do not modify the plug provided; if it will not fit the outlet, have the proper outlet installed by a qualified electrician.

PLUGS AND RECEPTACLES

1. If the plug on the electrical cord of the unit is unfamiliar to you or will not fit your particular receptacle, Figure 5 will help you understand why by illustrating the different plugs and the voltages they are to be used with.
2. Make sure that the product is connected to an outlet having the same configuration as the plug.
3. The receptacles must be connected to circuits rated to carry at least the voltage and amperages shown.
4. NEVER have a receptacle replaced with one of a higher amperage before determining the change can be made according to all electrical codes affecting your particular area. The installation should be made by a qualified electrician. If the products must be reconnected for use on different types of circuits, the re-connection should be made by qualified personnel.

DUAL VOLTAGE MOTORS (SOME MODELS)

NOTICE *The grounding plug must be changed to convert unit for dual voltage.*

Dual voltage motors may be connected for either 120 volts or 240 volts. By comparing the plug on the cord with the receptacles shown below, you can determine for which voltage your compressor is factory wired. Also check motor decal to change from low voltage to high voltage.

⚠ WARNING *All wiring must be completed by a qualified electrician. Disconnect from power source before changing any wiring.*

⚠ WARNING *When converting to an alternate voltage, be sure the green ground wire of the cord connects to the ground pin of the plug and to the metal body of the pressure switch.*

Assembly

ADDITIONAL HARDWARE NEEDED

Purchase hose, regulator and shutoff valve that has a minimum rating of 150 PSI and exceeds the maximum working pressure of the compressor.

OIL DRAIN EXTENSION

Some models include an oil drain extension and cap (found with the owner's manual). Install the oil drain extension and cap **before adding oil to the pump.** To avoid oil leaks, it is highly recommended to apply PTFE thread sealant tape or paste type sealant to the threads on each end of the oil drain extension. Screw the cap onto one end of the extension. Remove the oil drain plug from the base of the pump and install the oil drain extension (See Figure 6).

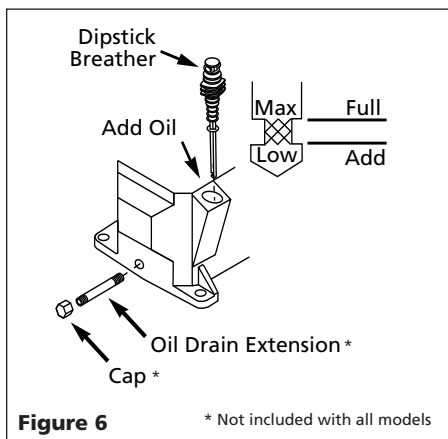


Figure 6 * Not included with all models

Assembly (Con't)

LUBRICATION

CAUTION THIS UNIT IS SHIPPED WITHOUT OIL! Follow lubrication instructions before operating compressor.

Ensure oil drain extension and cap has been installed (if included) then remove the dipstick breather (See Fig. 6) and fill pump oil according to the chart.

Pump	Approx. Oil Capacity
VS260000KB	6 oz
VT470200KB	11.5 oz
VT470000KB	12 oz
VH300000AV	32 oz

See specification label on air tank for pump model number and refer to the chart for the proper oil capacity.

OIL

Use SAE 30 industrial grade air compressor oil or full synthetic motor oil like Mobil 1 10W30. **Do not use regular automotive oil such as 10W-30.** Additives in motor oil can cause valve deposits and reduce pump life. For maximum pump life, drain and replace oil after the first hour of run time. Proper oil fill level is illustrated in Figure 6.

For pumps with an oil sight glass, oil level can be monitored and maintained as shown in Figure 7.

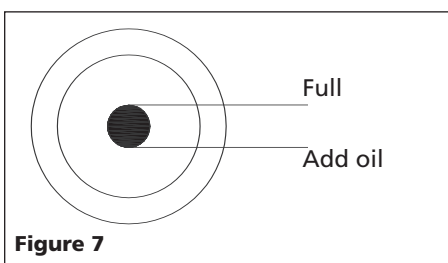


Figure 7

MOISTURE IN COMPRESSED AIR

Moisture in compressed air will form into droplets as it comes from an air compressor pump. When humidity is high or when a compressor is in continuous use for an extended period of time, this moisture will collect in the tank. When using a paint spray or sandblast gun, this water will be carried from the tank through the hose, and out of the gun as droplets mixed with the spray material.

IMPORTANT: This condensation will cause water spots in a paint job, especially when spraying other than water based paints. If sandblasting, it will cause the sand to cake and clog the gun, rendering it ineffective.

A filter in the air line, located as near to the gun as possible, will help eliminate this moisture.

Operation

START-UP

CAUTION Do not attach air tools to open end of the hose until start-up is completed and the unit checks OK.

WARNING Never disconnect threaded joints with pressure in tank!

1. Remove the breather and fill pump to the proper oil level. See lubrication section.
2. Open the tank drain valve. Turn outlet valve to open air flow.
3. Move pressure switch lever or knob to the OFF position and plug in power cord. Move pressure switch to the AUTO position to run the unit.
4. Run the unit for 30 minutes, under no load, to break in pump parts.
5. Move the pressure switch lever or knob to OFF and turn tank drain valve to shut off air flow. The compressor is now ready for use.

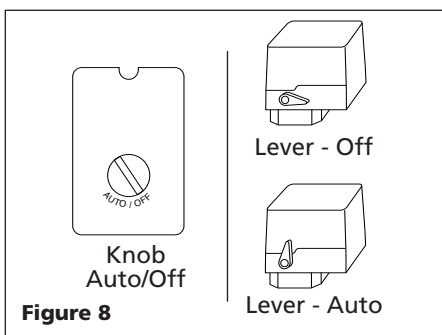


Figure 8

Maintenance

WARNING

Disconnect, tag and lock out power source, then release all pressure from the system before attempting to install, service, relocate or perform any maintenance.



All repairs should be performed by an authorized service representative.

FOR EFFICIENT OPERATION:

Perform the following test to verify free operation of the safety valve weekly and follow maintenance schedule.

1. Pull ring on safety valve and allow the ring to snap back to normal position (See Figure 9). This valve automatically releases air if the tank pressure exceeds the preset maximum.

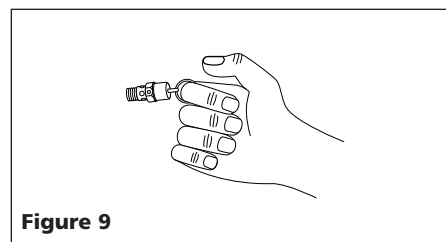


Figure 9

DANGER Do not attempt to tamper with this valve. This valve should be checked occasionally. If air leaks after the ring has been released, or the valve is stuck and cannot be actuated by the ring, the safety valve must be replaced.

CAUTION A large amount of fast moving air will be released if this valve is actuated with pressure in the tank.

2. With motor OFF and unplugged, clean debris from motor, flywheel, tank, air lines and pump cooling fins.

DRIVE BELT

Belts will stretch in normal use. Properly adjusted, a 5-pound force applied to the belt between the motor pulley and the pump will deflect the belt about 1/2" (See Figure 10).

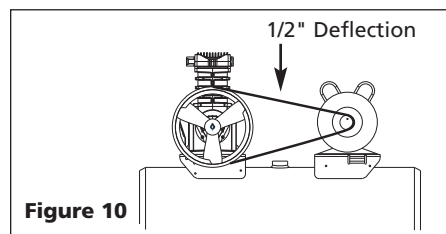


Figure 10

Maintenance (Con't)

TO ADJUST DRIVE BELT:

1. Remove belt guard.
2. Loosen the four fasteners holding the motor to the baseplate.
3. Shift the motor in the proper direction. The belt must be properly aligned when adjustment is made.
4. Adjust flywheel or motor pulley so that the belt runs straight.
5. If necessary, use a gear puller to move the pulley on the motor shaft. Tighten setscrew after pulley is positioned.
6. Attach belt guard.

MAINTENANCE SCHEDULE

Operation	Daily	Weekly	Monthly	3 Months
Check Oil Level	●			
Drain Tank	●			
Check Air Filter		●		
Check Safety Valve		●		
Clean Unit			●	
Check Belt Tightness			●	
Change Oil				●


STORAGE

1. When not in use, hose and compressor should be stored in a cool dry place.
2. Tanks should be drained of moisture. and hose should be disconnected and hung with open ends down to allow any moisture to drain.
3. Protect the electrical cord from possible damage by winding the cord loosely around the handle of the unit or coiling the cord up.

TECHNICAL INFORMATION

For information on the operation or repair, please call 1-800-543-6400. In Ohio or outside the continental U.S., call 513-367-4811.

Troubleshooting Chart

Symptom	Possible Cause(s)	Corrective Action
Low discharge pressure	<ol style="list-style-type: none"> 1. Air demand exceeds pump capacity 2. Air leaks 3. Restricted air intake 4. Blown gaskets 5. Leaking or damaged valves 	<ol style="list-style-type: none"> 1. Reduce air demand or use a compressor with more capacity. 2. Listen for escaping air. Apply soap solution to all fittings and connections. Bubbles will appear at points of leakage. Tighten or replace leaking fittings or connections. 3. Clean the air filter element. 4. Replace any gaskets proven faulty on inspection. 5. Remove head and inspect for valve breakage, misaligned valves, damaged valve seats, etc. Replace defective parts and reassemble.
		 Install a new head gasket each time the head is removed
Pump overheating causes air filter to melt	<ol style="list-style-type: none"> 1. Insulating gasket between filter and head is missing 2. Broken valves/blown gasket 	<ol style="list-style-type: none"> 1. Install gasket. 2. Replace valves or install new gasket.
Excessive noise (knocking)	<ol style="list-style-type: none"> 1. Loose motor or compressor pulley 2. Lack of oil in crankcase 3. Worn connecting rod 4. Worn piston pin bores 5. Piston hitting the valve plate 	<ol style="list-style-type: none"> 1. Loose motor or compressor pulleys are a very common cause of compressors knocking. Tighten pulley clamp bolts and set-screws. 2. Check for proper oil level; if low, check for possible damage to bearings. Dirty oil can cause excessive wear. 3. Replace connecting rod. Maintain oil level and change oil more frequently. 4. Remove piston assemblies from the compressor and inspect for excess wear. Replace excessively worn piston pin or pistons, as required. Maintain oil level and change oil more frequently. 5. Remove the compressor head and valve plate and inspect for carbon deposits or other foreign matter on top of piston. Replace head and valve plate using new gasket. See Lubrication section for recommended oil.

Troubleshooting Chart (Continued)

Symptom	Possible Cause(s)	Corrective Action
Excessive noise (knocking) Continued	6. Noisy check valve in compressor system	6. Replace. ⚠ DANGER <i>Do not disassemble check valve with air pressure in tank</i>
Large quantity of oil in the discharge air NOTE: In an oil lubricated compressor there will always be a small amount of oil in the air stream.	1. Worn piston rings 2. Compressor air intake restricted 3. Excessive oil in compressor 4. Wrong oil viscosity	1. Replace with new rings. Maintain oil level and change oil more frequently. 2. Clean filter. Check for other restrictions in the intake system. 3. Drain down to full level. 4. Use Mobil 1® 10W-30
Water in discharge air/tank	1. Normal operation. The amount of water increases with humid weather	1. Drain tank more often. At least daily. 2. Add a filter to reduce the amount of water in the air line.
Motor hums and runs slowly or not at all	1. Use of extension cord 2. Malfunctioning check valve or unloader valve 3. Low voltage 4. Malfunctioning pressure switch - contacts will not close	1. Do not use an extension cord. Use longer air hose with larger diameter. 2. Replace check valve, unloader valve or pressure switch. ⚠ DANGER <i>Do not disassemble check valve with air pressure in tank</i> 3. Check with voltmeter, check reset switch on motor. If reset switch trips repeatedly, find and correct the cause. See next item. 4. Repair or replace pressure switch.
Reset mechanism cuts out repeatedly or fuses blow repeatedly	1. Too many devices on same circuit 2. Incorrect fuse size or circuit breaker 3. Malfunctioning check valve 4. Pressure switch set too high 5. Loose wiring 6. Malfunctioning motor	1. Limit the circuit to the use of only the air compressor. 2. Be sure that fuses or circuit breakers are rated properly. 3. Replace check valve. ⚠ DANGER <i>Do not disassemble check valve with air pressure in tank</i> 4. Adjust or replace. 5. Check all electrical connections. 6. Replace motor.
Tank does not hold pressure when compressors off and the shut off valve is closed	1. Worn check valve 2. Check all connections and fittings for leaks 3. Check tank for cracks or pin holes	1. Replace check valve. ⚠ DANGER <i>Do not disassemble check valve with air pressure in tank</i> 2. Tighten. 3. Replace tank. Never repair a damaged tank.
Pressure switch continuously blows air out the unloader valve	1. Malfunctioning check valve	1. Replace the check valve if the unloader valve bleeds off constantly. ⚠ DANGER <i>Do not disassemble check valve with air pressure in tank</i>
Pressure switch does not release air when the unit shuts off	1. Malfunctioning unloader valve on pressure switch	1. Replace the pressure switch if it does not release the pressure for a short period of time when the unit shuts off. ⚠ DANGER <i>Do not disassemble pressure switch with air pressure in tank</i>
Excessive vibration	1. Loose fasteners 2. Belt needs replaced 3. Belt alignment	1. Tighten. 2. Replace with correct size. 3. Align flywheel and pulley.

Limited Warranty

1. **DURATION:** From the date of purchase by the original purchaser as follows: One Year, Two Years, Three Years, Four Years, or Five Years as indicated on product specification label.
 2. **WHO GIVES THIS WARRANTY (WARRANTOR):**
Campbell Hausfeld / Scott Fetzer Company, 100 Production Drive, Harrison, Ohio, 45030, Telephone: (800) 543-6400
 3. **WHO RECEIVES THIS WARRANTY (PURCHASER):** The original purchaser (other than for purposes of resale) of the Campbell Hausfeld compressor.
 4. **WHAT PRODUCTS ARE COVERED BY THIS WARRANTY:** Any Campbell Hausfeld air compressor.
 5. **WHAT IS COVERED UNDER THIS WARRANTY:** Parts and Labor to remedy substantial defects due to material and workmanship during the first year of ownership with the exceptions noted below. Parts only to remedy substantial defects due to material and workmanship during remaining term of coverage with exceptions noted below.
 6. **WHAT IS NOT COVERED UNDER THIS WARRANTY:**
 - A. Implied warranties, including those of merchantability and FITNESS FOR A PARTICULAR PURPOSE ARE LIMITED FROM THE DATE OF ORIGINAL PURCHASE AS STATED IN THE DURATION. If the compressor is used for commercial, industrial or rental purposes, the warranty will apply for ninety (90) days from the date of purchase. Two-stage compressors are not limited to a ninety (90) day warranty when used in commercial or industrial applications. Some States do not allow limitations on how long an implied warranty lasts, so the above limitations may not apply to you
 - B. ANY INCIDENTAL, INDIRECT, OR CONSEQUENTIAL LOSS, DAMAGE, OR EXPENSE THAT MAY RESULT FROM ANY DEFECT, FAILURE, OR MALFUNCTION OF THE CAMPBELL HAUSFELD PRODUCT. Some States do not allow the exclusion or limitations of incidental or consequential damages, so the above limitation or exclusion may not apply to you.
 - C. Any failure that results from an accident, purchaser's abuse, neglect or failure to operate products in accordance with instructions provided in the owner's manual(s) supplied with compressor.
 - D. Pre-delivery service, i.e. assembly, oil or lubricants, and adjustment.
 - E. Items or service that is normally required to maintain the product, i.e. lubricants, filters and gaskets, etc.
 - F. Gasoline engines and components are expressly excluded from coverage under this limited warranty. The Purchaser must comply with the warranty given by the engine manufacturer which is supplied with the product
 - G. Additional items not covered under this warranty:
 1. Excluded items pertaining to All Compressors
 - a. Any component damaged in shipment or any failure caused by installing or operating unit under conditions not in accordance with installation and operation guidelines or damaged by contact with tools or surroundings.
 - b. Pump or valve failure caused by rain, excessive humidity, corrosive environments or other contaminants.
 - c. Cosmetic defects that do not interfere with compressor functionality.
 - d. Rusted tanks, including but not limited to rust due to improper drainage or corrosive environments.
 - e. The following components are considered normal wear items and are not covered after the first year of ownership. Electric motor, check valve, pressure switch, regulator, pressure gauges, hose, tubing, pipe, fittings and couplers, screws, nuts, hardware items, belts, pulleys, flywheel, air filter and housing, gaskets, seals, oil leaks, air leaks, oil consumption or usage, piston rings.
 - f. Tank drain valves.
 - g. Damage due to incorrect voltage or improper wiring.
 - h. Other items not listed but considered general wear parts.
 - i. Pressure switches, air governors, load/unload devices, throttle control devices and safety valves modified from factory settings.
 - j. Damage from inadequate filter maintenance.
 - k. Induction motors operated with electricity produced by a generator.
 2. Excluded items specific to Lubricated Compressors:
 - a. Pump wear or valve damage caused by using oil not specified.
 - b. Pump wear or damage caused by any oil contamination.
 - c. Pump wear or damage caused by failure to follow proper oil maintenance guidelines, operation below proper oil level or operation without oil.
 - H. Labor, service call, or transportation charges after the first year of ownership of stationary compressors. Stationary compressors are defined as not including a handle or wheels.
 7. **RESPONSIBILITIES OF WARRANTOR UNDER THIS WARRANTY:** Repair or replace, at Warrantor's option, compressor or component which is defective, has malfunctioned and/or failed to conform within duration of the warranty period.
 8. **RESPONSIBILITIES OF PURCHASER UNDER THIS WARRANTY:**
 - A. Provide dated proof of purchase and maintenance records.
 - B. Portable compressors or components must be delivered or shipped to the nearest Campbell Hausfeld Authorized Service Center. Freight costs, if any, must be borne by the purchaser.
 - C. Use reasonable care in the operation and maintenance of the products as described in the owner's manual(s).
 - D. Repairs requiring overtime, weekend rates, or anything beyond the standard manufacturer warranty repair labor reimbursement rate.
 - E. Time required for any security checks, safety training, or similar for service personnel to gain access to facility.
 - F. Location of unit must have adequate clearance for service personnel to perform repairs and easily accessible.
 9. **WHEN WARRANTOR WILL PERFORM REPAIR OR REPLACEMENT UNDER THIS WARRANTY:** Repair or replacement will be scheduled and serviced according to the normal work flow at the servicing location, and depending on the availability of replacement parts.
- This Limited Warranty applies in the U.S., Canada and Mexico only and gives you specific legal rights. You may also have other rights which vary from State to State or country to country.

S'il vous plaît lire et conserver ces instructions. Lire attentivement avant de monter, installer, utiliser ou de procéder à l'entretien du produit décrit. Se protéger ainsi que les autres en observant toutes les instructions de sécurité, sinon, il y a risque de blessure et/ou dégâts matériels! Conserver ces instructions comme référence.

Compresseur D'Air Stationnaire

Description

Les modèles de compresseurs d'air sont conçus pour fournir de l'air comprimé aux outils pneumatiques et pour faire fonctionner les pistolets vaporisateurs. Les pompes fournies sont graissées à l'huile. Un peu d'huile résiduelle est présent dans le débit d'air comprimé. Installer les filtres appropriés pour les applications qui requièrent de l'air libre d'huile ou d'eau. Le compresseur d'air doit être monté selon les instructions, sur un plancher solide. Autres usages de ces modèles nieront la garantie et le fabricant ne sera pas responsable pour les problèmes ou dommages résultant de l'usage incorrect.

Directives De Sécurité

Ce manuel contient de l'information très importante qui est fournie pour la SÉCURITÉ et pour ÉVITER LES PROBLÈMES D'ÉQUIPEMENT. Rechercher les symboles suivants pour cette information.

⚠ DANGER

Danger indique

une situation hasardeuse imminente qui RÉSULTERA en perte de vie ou blessures graves.

⚠ AVERTISSEMENT

Avertissement

indique une situation hasardeuse potentielle qui PEUT résulter en perte de vie ou blessures graves.

⚠ ATTENTION

Attention indique

une situation hasardeuse potentielle qui PEUT résulter en blessures.

AVIS

Avis indique

l'information importante pour éviter le dommage de l'équipement.

Déballage

Lors du déballage, l'examiner soigneusement pour rechercher toute trace de dommage susceptible de s'être produit en cours de transport. Serrer tous raccords, boulons, etc.,

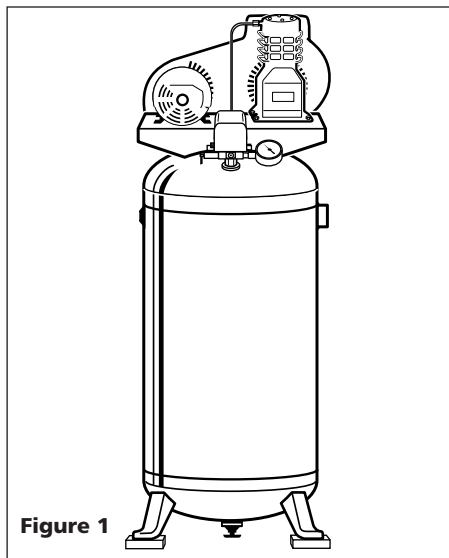


Figure 1

avant d'utiliser le modèle.

⚠ AVERTISSEMENT *Ne pas faire*

fonctionner un modèle qui a été endommagé pendant le transport, la manipulation ou l'utilisation. Le dommage peut résulter en éclatement et peut causer des blessures ou dégâts matériels.

Généralités sur la Sécurité

Puisque le compresseur d'air et les autres pièces détachées (pompe, pistolets, filtres, graisseurs, tuyaux, etc.) font partie d'un système de haute pression, il est nécessaire de suivre les précautions suivantes.

1. Lire attentivement tous manuels compris avec ce produit. Bien se familiariser avec ce produit, ses commandes et son utilisation.
2. Suivre tous les codes de sécurité et d'électricité locaux ainsi qu'aux États-Unis les National Electrical Codes (NEC) et Occupational Safety and Health Act (OSHA).



⚠ DANGER

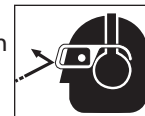
Avertissement D'Air Respirable

Ce compresseur/pompe N'EST PAS équipé pour et NE DEVRAIT PAS être utilisé "comme soi" pour fournir de l'air respirable. En cas d'applications d'air pour la consommation humaine, le compresseur d'air/pompe doit être équipé avec de l'équipement de sécurité en canalisation et d'alarme. Cet équipement additionnel est nécessaire pour filtrer et purifier l'air afin d'atteindre les spécifications minimales pour la respiration Grade D décrites dans le Compressed Gas Association Commodity Specification G 7.1 - 1966, OSHA 29 CFR 1910. 134, et/ou Canadian Standards Associations (CSA).

DÉNÉGATION DES GARANTIES

Si le compresseur est utilisé pour les applications d'air respirable et l'équipement de sécurité en canalisation et d'alarme n'est pas utilisé simultanément, les garanties en existence seront annulées, et Campbell Hausfeld nie toute responsabilité pour n'importe quelle perte, blessure ou dommage.

3. Seules les personnes bien familiarisées avec ces règlements d'utilisation doivent être autorisées à se servir du compresseur.
4. Garder les visiteurs à l'écart de/et NE JAMAIS permettre les enfants dans l'endroit de travail.
5. Utiliser des lunettes de sécurité et la protection auditive pendant l'utilisation du modèle.
6. Ne pas se tenir debout sur/ni utiliser le modèle comme une prise à main.
7. Inspecter le système d'air comprimé et pièces détachées électriques pour toute indication de dommage,



**MÉMENTO : Gardez votre preuve datée d'achat à fin de la garantie !
Joignez-la à ce manuel ou classez-la dans un dossier pour plus de sécurité.**

Généralités sur la Sécurité (suite)

détérioration, faiblesse ou fuites avant chaque utilisation.
Réparer ou remplacer toutes pièces défectueuses avant l'utilisation.

- Inspecter le degré de serrage de toutes les attaches par intervalles régulières.

⚠️ AVERTISSEMENT



Les moteurs, l'équipement et les commandes électriques peuvent causer des arcs électriques qui peuvent allumer un gaz ou une vapeur inflammable. Ne jamais utiliser ou réparer le modèle près d'un gaz ou d'une vapeur inflammable. Ne jamais entreposer les liquides ou gaz inflammables près du compresseur.

⚠️ AVERTISSEMENT



Ne jamais utiliser un compresseur sans carter de courroie. Ce modèle peut se démarrer sans avis. Le contact avec les pièces mobiles peut causer des blessures personnelles ou dégâts matériels.

- Ne pas porter des vêtements flottants ni des bijoux qui peuvent se prendre dans les pièces mobiles du modèle.

⚠️ ATTENTION



Les pièces du compresseur peuvent être chaudes même si le modèle est hors circuit.

- Garder les doigts à l'écart du compresseur; les pièces mobiles et chaudes peuvent causer des blessures et/ou des brûlures.
- Si l'équipement vibre anormalement, ARRÊTER le moteur et l'inspecter immédiatement. La vibration est généralement une indication d'un problème.
- Pour réduire le risque d'incendie, garder l'extérieur du moteur libre d'huile, de solvants et de graisse excessive.

⚠️ AVERTISSEMENT

Une soupape de sûreté ASME avec une classification qui ne dépasse pas 1034 kPa doit être installée dans le réservoir de ce compresseur. La soupape de sûreté ASME doit avoir un débit d'air et une classification de pression suffisants pour protéger les pièces pressurisées contre l'éclatement.

⚠️ ATTENTION

Voir la décalcomanie de spécifications sur le compresseur pour retrouver la pression

de service maximum. Ne pas faire fonctionner avec un manostat ou soupapes pilotes réglés au delà de la pression de fonctionnement maximum.

- Ne jamais essayer de régler la soupape de sûreté ASME. Garder la soupape de sûreté libre de peinture et autres accumulations.

⚠️ AVERTISSEMENT *Ne jamais utiliser les tuyaux plastiques (CPV) pour l'air comprimé. Ceci peut causer des blessures graves ou la mort.*

⚠️ DANGER



Ne jamais essayer de réparer ni de modifier un réservoir! Le soudage, perçage ou autre modifications peuvent affaiblir le réservoir et peuvent résulter en dommage de rupture ou d'explosion. Toujours remplacer un réservoir usé, fendu ou endommagé.

AVIS

Purger le liquide

du réservoir quotidiennement.

- L'accumulation d'humidité cause la rouille qui peut affaiblir le réservoir. Purger le réservoir régulièrement et l'inspecter périodiquement pour la rouille et la corrosion ou autres conditions dangereuses.
- L'air mouvante peut agiter la poussière et le débris qui peut être dangereux. Dissiper l'air lentement en purgeant l'humidité ou pendant la dépressurisation du système de compresseur.

PRÉCAUTIONS DE PULVÉRISATION

⚠️ AVERTISSEMENT



Ne pas pulvériser des matériaux inflammables près d'une flamme ni près d'une source d'ignition y inclus le compresseur.

- Ne pas fumer pendant la pulvérisation de peinture, d'insecticides ou d'autres substances inflammables.
- Utiliser un masque/ respirateur pendant la pulvérisation et pulvériser dans un endroit bien ventilé pour éviter les dangers de santé et d'incendie.
- Ne pas pulvériser vers le compresseur. Situer le compresseur aussi loin que possible de l'endroit de pulvérisation pour minimiser l'accumulation de surpulvérisation sur le compresseur.
- Pour pulvériser ou nettoyer avec des solvants ou produits chimiques toxiques, suivre les instructions fournies par le fabricant du produit chimique.



Introduction

Se référer à la Figure 2.

INSTALLATION D'UNE SOUPAPE D'ARRÊT

Une soupape d'arrêt devrait être installée sur l'orifice de décharge du réservoir pour contrôler le débit d'air du réservoir. Situer la soupape entre le réservoir et le système de tuyauterie.

Manostat - Interrupteur Auto/Off - Dans la position "auto", le compresseur se coupe automatiquement quand la pression du réservoir atteint la pression maximum réglée d'avance. Une fois que l'air est usé du réservoir et baisse à une niveau réglé d'avance, le manostat remet le moteur en marche (on) automatiquement. Dans la position "off", le compresseur ne fonctionnera pas. Cet interrupteur devrait être dans la position "off" pendant le branchement ou le débranchement du cordon d'alimentation de la prise de courant.

Lorsque le manostat coupe le moteur (off), vous entendrez de l'air qui s'échappe de la soupape de décharge du manostat pendant un peu de temps. Ceci relâche la pression d'air du tuyau de décharge et permet que le compresseur se remet en marche plus facilement.

Pour les modèles sans interrupteur manuel, lorsqu'on demande de mettre l'interrupteur dans la position OFF, utiliser l'interrupteur à l'appareil de déconnection au lieu.

Appareil de Déchargement -

L'appareil sur le manostat qui permet que l'air pressurisé se dissipe ce qui soulage les démarrages du moteur sous charge.

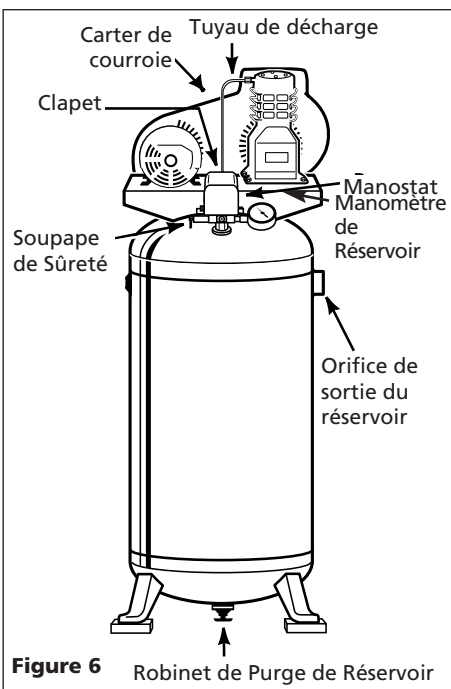


Figure 6 Robinet de Purge de Réservoir

Introduction (suite)

Régulateur - Le régulateur contrôle la quantité de pression d'air échappée à la sortie de tuyau (Vendu séparément).

Soupape de Sûreté ASME - Cette soupape laisse échapper l'air automatiquement si la pression du réservoir dépasse la pression maximum réglée d'avance.

Tuyau de Décharge - Ce tuyau transporte l'air comprimé de la pompe au clapet. Ce tuyau devient très chaud pendant son utilisation. Ne jamais toucher le tuyau de décharge afin d'éviter des brûlures sévères.

Clapet - Une soupape à sens unique qui permet à l'air d'entrer le réservoir mais qui empêche que l'air du réservoir retourne dans la pompe du compresseur.

Carte de Courroie - Couvre la courroie, la poulie de moteur et le volant.

Robinet de Purge de Réservoir - Cette soupape est située au fond du réservoir. Utiliser cette soupape pour purger l'humidité du réservoir quotidiennement afin de réduire le risque de corrosion.

Réduire la pression du réservoir sous 68,95 kPa, et ensuite purger l'humidité du réservoir quotidiennement afin d'éviter la corrosion. Purger l'humidité du(des) réservoir(s) en ouvrant le robinet de purge situé sous le réservoir.

Installation

⚠️ AVERTISSEMENT

Débrancher, étiquetter et verrouiller la source de puissance, ensuite dissiper toute la pression du système avant d'installer, réparer, déplacer ou de procéder à l'entretien du modèle.



ENDROIT

AVIS

Ce compresseur n'est pas conçu pour l'utilisation à l'extérieur.

Il est très important d'installer le compresseur dans un endroit propre et bien aéré, où la température de l'air ne dépassera pas 38,1° C.

Une distance minimum de 45,7 cm est requise entre le volant du compresseur ou un évantail et un mur afin d'assurer l'accès au robinet de purge.

Ne pas situer l'arrivée d'air du compresseur près de la vapeur, peinture pulvérisée, endroits de décapage au sable et autres sources de contamination.

MONTAGE

⚠️ ATTENTION

Ne jamais utiliser les palettes en bois d'expédition pour le montage du compresseur.

MONTAGE AU PLANCHER

(Tous les modèles)
Les pieds du compresseur **DOIVENT** être fixés à un plancher en béton plat et égal ou sur une fondation en béton séparée. Les isolateurs de vibration **doivent être** utilisés entre la jambe du réservoir et le plancher (Numéro de pièce MP3445, disponible séparément). Ne pas trop serrer les boulons afin de permettre que les tampons absorbent les vibrations. Un accouplement flexible devrait être installé entre le réservoir et la tuyauterie de service.

⚠️ AVERTISSEMENT

Ce compresseur est très lourd du haut. Le modèle doit être boulonné au plancher avec des tampons isolateurs ou fixé au câble de mur (si fourni) avant son utilisation pour éviter le dommage à l'équipement, les blessures ou la mort.

MONTAGE DU CÂBLE DE MUR

(Fourni avec quelques modèles de 113,6 Litres)

Un câble de mur est fourni et devrait être installé pour quelques modèles de 30 gallons (114 L).

Le câble de sécurité comprend deux vis à tête carrée et rondelles.

1. Placer un tampon sous chaque pied du compresseur pour réduire la vibration.
2. Placer le câble à travers la plaque de base tel qu'indiqué sur la Figure 3.
3. Placer les vis à travers les rondelles et en suite à travers les bouts bouclés du câble.
4. Fixer les vis à un poteau dans un mur encadré. Utiliser des ancrés sur les murs en béton.

⚠️ AVERTISSEMENT

Ne pas fixer le compresseur avec des boulons à écrou articulés dans le placoplâtre. Les murs en placoplâtre ou en plâtre ne peuvent pas soutenir le poids du compresseur.

⚠️ AVERTISSEMENT

Ne jamais installer une soupape d'arrêt entre la pompe du compresseur et le réservoir. Blessures et/ou dégâts matériels peuvent se présenter.

TUYAUTERIE

⚠️ AVERTISSEMENT

Ne jamais utiliser les tuyaux en plastique (CPV) pour l'air comprimé. Ceci peut causer des blessures graves ou la mort.

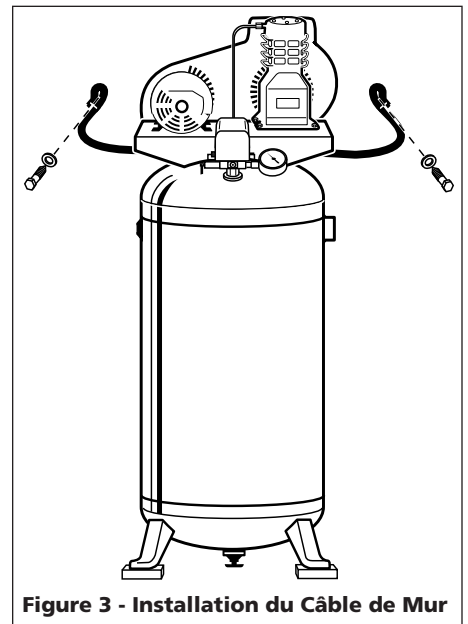


Figure 3 - Installation du Câble de Mur

Tous tubes, conduits, ou tuyaux utilisés doivent avoir une classification de pression au delà de 1034 kPa. Taille de tuyau minimum recommandée:

- jusqu'à 15,24 m, 12,7 mm (1/2 po)
- plus que 15,24 m, 19,1 mm (3/4 po)

Un tuyau de diamètre plus large est idéal.

Installation Électrique

INSTALLATION DE FILS DIRECTE SEULEMENT

⚠️ AVERTISSEMENT

Un électricien qualifié doit effectuer l'installation et les raccordements électriques en respectant tous les codes électriques locaux et nationaux.

MISE À LA TERRE

Ce produit doit être mis à la terre. Si le modèle est livré avec un cordon installé à l'usine, brancher le cordon dans une prise de courant de taille correcte mise à la terre. Pour les modèles qui n'ont pas de cordon installé à l'usine, installer des fils permanents de la source d'électricité au manostat avec un fil de terre branché à la vis de terre sur le manostat. Vous pouvez aussi installer un cordon de taille correcte avec un fil de terre et une fiche.

⚠️ DANGER

Les moteurs qui ne sont pas correctement mis à la terre tiennent le risque de secousse électrique. S'assurer que tout équipement soit correctement mis à la terre.



Installation (suite)

INSTALLATION DE FILS DIRECTE SEULEMENT

INSTALLATION DE FILS

Les codes locaux concernant l'installation de fils varient d'endroit en endroit. Les fils d'alimentation, fiches et le protecteur doivent être classifiés pour au moins le minimum d'ampérage et de tension indiqués sur la plaque indicatrice du moteur et respecter tous les codes électriques pour ce minimum. Utiliser un fusible à retardement en T ou un disjoncteur.

ATTENTION Le surchauffage, court-circuit et dommage d'incendie seront le résultat d'installation de fils insuffisante.

Il est nécessaire d'utiliser un appareil protecteur de moteur si un protecteur de surcharge thermique intégré n'est pas fourni. Quelques modèles triphasés exigent un démarreur de moteur magnétique illustré dans la Figure 4.

Branchement Électrique

MODÈLES AVEC CORDONS D'ALIMENTATION SEULEMENT

REMARQUE: les modèles de 120V, 15A peuvent fonctionner sur un circuit de 120V 15A sous les conditions suivantes:

1. Aucun autre appareil ou lumière ne soient branché au même circuit dérivé.
2. L'alimentation en tension soit normale.
3. Le circuit soit équipé d'un disjoncteur de 15 A ou d'une fusée à retardement 15 A type T (Type D au Canada).

Si les conditions ci-dessus ne sont pas possibles ou s'il y a déclenchement de l'appareil protecteur, il peut être nécessaire de faire fonctionner le compresseur sur un circuit de 120 V 20 A. Quelques modèles sont transformables à un fonctionnement 240 V, voir la section MOTEUR À TENSION DOUBLE.

INSTRUCTIONS DE MISE À LA TERRE

1. Ce produit est conçu pour l'utilisation sur un circuit nominal de 120 ou 240 V et a une fiche de terre comme celle sur la Fig. 5. S'assurer que le produit soit branché à une prise de courant de même configuration que la fiche. Ce produit doit être mis à la terre. La mise à la terre réduit le risque de secousse électrique en fournissant un fil d'échappement pour le courant

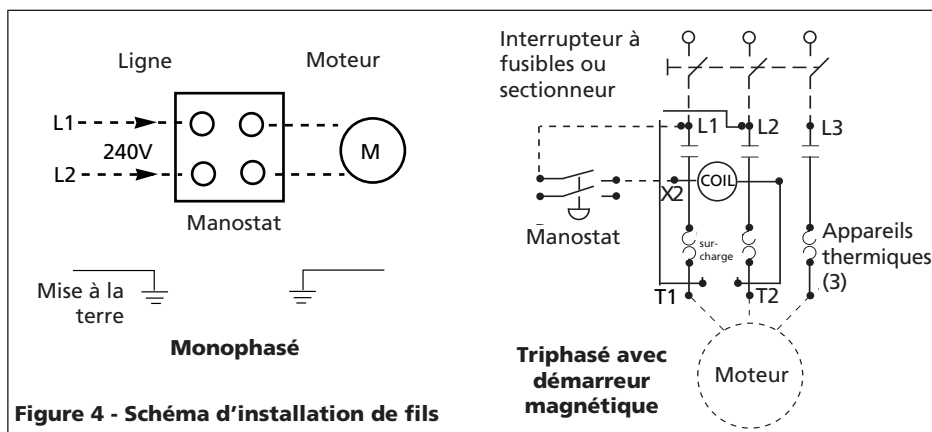


Figure 4 - Schéma d'installation de fils

électrique en cas de court-circuit. Ce produit est équipé d'un cordon avec un fil de terre et une fiche de terre. La fiche doit être branchée dans une prise de courant installée correctement et mise à la terre conformément aux ordonnances et aux codes locaux.

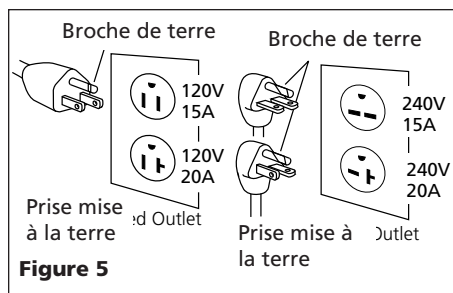


Figure 5

DANGER

L'utilisation incorrecte d'une fiche de terre peut résulter en secousse électrique. Ne pas utiliser un adaptateur de mise à la terre.



2. Si la réparation ou le remplacement du cordon ou de la fiche est nécessaire, ne pas brancher le fil de terre à ni une ni l'autre borne à lame plate. Le fil avec l'isolation et la surface extérieure verte (avec ou sans rayures jaunes) est le fil de terre.
3. Si vous ne comprenez pas les instructions de mise à la terre ou si vous doutez que le produit soit correctement mis à la terre, consulter un électricien ou dépanneur qualifié. Ne pas modifier la fiche fournie, si la fiche ne correspond pas avec la prise, faire installer la prise de courant appropriée par un électricien qualifié.

FICHES ET PRISES DE COURANT

1. Si la fiche du cordon d'alimentation du modèle est étrange ou si la fiche ne correspond pas avec votre prise de courant, consultez la Figure 5 qui indique les types de fiches et les tensions correspondantes.

2. S'assurer que le modèle soit branché à une prise de courant de même configuration que la fiche.
3. Les prises doivent être branchées à des circuits classifiés pour au moins la tension et l'ampérage indiqué.
4. NE JAMAIS faire remplacer une prise de courant avec celle d'ampérage plus élevé avant de déterminer si le changement respecte tous les codes électriques de votre endroit. L'installation doit être effectuée par un électricien qualifié. Si les produits doivent être branchés à nouveau pour l'utilisation sur différents types de circuits, ces branchements doivent être effectués par des personnes qualifiées.

MOTEURS À DOUBLE TENSION (QUELQUES MODÈLES)

AVIS

La fiche de terre

doit être changée pour la transformation du modèle à tension double.

Les moteurs à double tension peuvent être branchés pour soit 120 V ou 240 V. Comparer la fiche sur le cordon avec les prises ci-dessous afin de déterminer pour quelle tension l'installation de fils à l'usine a été effectuée sur votre compresseur. Vérifier aussi la décalcomanie sur le moteur pour le changement de tension basse à tension haute.

AVERTISSEMENT Toute installation de fils doit être complétée par un électricien qualifié. Débrancher de la source d'alimentation (puissance) avant de changer les fils.

AVERTISSEMENT Pour la transformation à une tension alternative, s'assurer que le fil de terre vert du cordon soit branché à la broche de terre de la fiche et au corps métallique du manostat.

Montage

QUINCAILLERIE ADDITIONNELLE EXIGÉE

Acheter des tuyaux, un régulateur et une soupape d'arrêt ayant une classification minimum de 1034 kPa et qui dépasse la pression de service maximum du compresseur.

RALLONGE DE VIDANGE D'HUILE

Un rallonge de vidange d'huile et un bouchon sont compris avec quelques modèles (situés avec le manuel d'utilisation). Installer le rallonge de vidange d'huile et le bouchon **avant d'ajouter l'huile à la pompe**. Pour éviter des fuites d'huile, il est hautement recommandé d'appliquer le ruban d'étanchéité de filetage de PTFE, ou pâte enduit d'étanchéité, aux filets sur chaque extrémité de l'extension de drainage de l'huile. Visser le bouchon sur un bout du rallonge. Enlever le bouchon de vidange d'huile de la base de la pompe et installer le rallonge de vidange d'huile (Voir Figure 6).

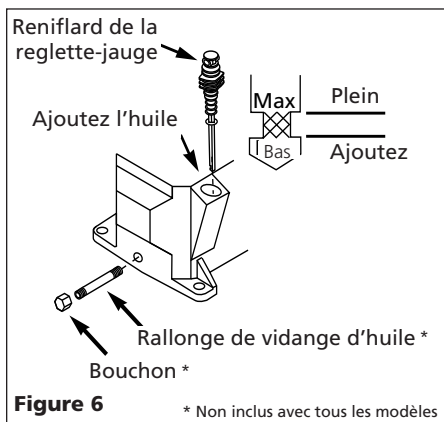


Figure 6 * Non inclus avec tous les modèles

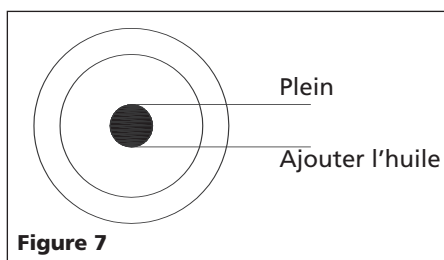


Figure 7

GRAISSAGE

ATTENTION CE MODÈLE

EST EXPÉDIÉ SANS HUILE! Suivre les instructions de graissage avant d'utiliser le compresseur.

S'assurer que le rallonge de vidange d'huile et le bouchon soient installés (si compris). Enlever le reniflard de la réglette-jauge (Voir Fig. 6) et remplir la pompe d'huile selon le tableau.

Pompe	Capacité d'huile approx.
VS26000KB	0,18 L
VT470200KB	0,34 L
VT470000KB	0,35 L
VH300000AV	0,95 L

Se référer à la décalcomanie de spécifications sur le réservoir pour le numéro de la pompe et se référer au tableau pour la capacité d'huile correcte.

HUILE

Utiliser l'huile pour compresseur d'air industrielle SAE 30 ou l'huile complètement synthétique pour moteurs telle que Mobil 1 10W-30. **Ne pas utiliser l'huile pour automobile ordinaire telle que 10W-30.** Les additifs dans l'huile de moteur peuvent causer de l'encrassement dans les soupapes et peuvent diminuer la vie de la pompe. Pour assurer la durée maximum de la pompe, purger et remplacer l'huile après la première heure de fonctionnement. Le niveau d'huile correct est illustré sur la Figure 6.

Pour les pompes dotées d'un regard d'huile,

HUMIDITÉ DANS L'AIR COMPRIMÉ

L'humidité dans l'air comprimé forme des gouttelettes en arrivant de la pompe du compresseur d'air. Si l'humidité est élevée, ou si le compresseur est utilisé continuellement, cette humidité s'accumulera dans le réservoir. Pendant l'utilisation d'un pistolet à peinture ou d'un pistolet pour le décapage au sable, cette eau sera transportée du réservoir par moyen du tuyau, et en forme de gouttelettes, mélangée avec le matériel utilisé.

IMPORTANT: Cette condensation peut causer des taches d'eau sur votre travail de peinture, surtout pendant la pulvérisation de peinture qui n'est pas à base d'eau. Pendant le décapage au sable, cette eau servira à tenir le sable ensemble et causera une obstruction dans le pistolet.

Un filtre à air en canalisation situé aussi près du pistolet que possible aidera à éliminer cette humidité.

on peut vérifier et maintenir le niveau d'huile comme indiqué dans la Figure 7.

Fonctionnement

DÉMARRAGE

ATTENTION *Ne pas brancher les outils pneumatiques au bout ouvert du tuyau avant que le démarrage soit complet et que le modèle fonctionne correctement.*

AVERTISSEMENT *Ne jamais débrancher les raccords filetés si le réservoir est pressurisé!*

1. Enlever le reniflard et remplir la pompe d'huile jusqu'au niveau correct. Se référer à la section de graissage.
2. Ouvrir le robinet de purge de réservoir. Tourner la soupape de sortie afin d'ouvrir la circulation d'air.
3. Mettre le levier ou le bouton du manostat à la position OFF et brancher le cordon d'alimentation. Mettre le levier du manostat à la position AUTO pour faire fonctionner le modèle.
4. Faire fonctionner le modèle pour 30 minutes, sans charge afin d'effectuer le rodage des pièces de la pompe.
5. Mettre le levier ou bouton du manostat à la position OFF et tourner le robinet de purge de réservoir afin de couper la circulation d'air. Le compresseur est prêt à utiliser.

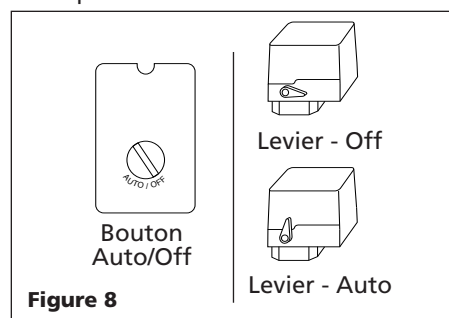


Figure 8

Entretien

AVERTISSEMENT

Débrancher, étiquetter et verrouiller la source de puissance et dissiper la pression du système avant de monter, réparer, déplacer ou de procéder à l'entretien du modèle.



Toutes réparations doivent être effectuées par un représentant de service autorisé.

POUR LE FONCTIONNEMENT EFFICACE:

Faire l'essai de la soupape de sûreté chaque semaine pour s'assurer qu'elle fonctionne librement et respecter l'horaire d'entretien.

1. Tirer sur l'anneau de la soupape de sûreté et la laisser revenir à sa position normale (Voir Figure 9). Cette soupape relâche l'air automatiquement lorsque la pression du réservoir dépasse le maximum réglé d'avance.

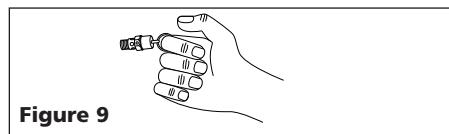


Figure 9

Entretien (suite)

⚠ DANGER

Ne pas

trifouiller avec cette soupape. Vérifier cette soupape de temps en temps. S'il y a des fuites d'air après que l'anneau soit relâché, ou si la soupape est prise et ne peut pas être actionnée par l'anneau, la soupape de sûreté doit être remplacée.

⚠ ATTENTION

Une large

quantité d'air sera relâchée rapidement si cette soupape est actionnée lorsque le réservoir est pressurisé.

2. Avec le moteur dans la position OFF et débranché, nettoyer le débris du moteur, du volant, du réservoir, des canalisations d'air et des ailettes de refroidissement de la pompe.

COURROIE D'ENTRAÎNEMENT

Les courroies étirées sont le résultat d'utilisation normale. Lorsqu'elles sont bien ajustées, la déviation de la courroie est environ 1,27 cm avec 2,27 kg de pression appliquée à mi-portée entre la poulie du moteur et la pompe (Voir Figure 10).

POUR RÉGLER LA COURROIE D'ENTRAÎNEMENT:

1. Enlever le carter de courroie.

HORAIRE D'ENTRETIEN

Opération	Quotidien	Hebdo-madaire	Mensuel	3 Mois
Vérifier le niveau d'huile	●			
Purger le réservoir	●			
Vérifier le filtre à air		●		
Vérifier la soupape de sûreté		●		
Nettoyer le modèle			●	
Vérifier le serrage des courroies			●	
Changer l'huile				●

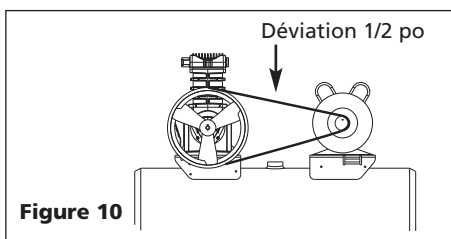


Figure 10

2. Desserrer les quatre attaches qui tiennent le moteur à la plaque de base.
3. Mettre le moteur dans la bonne direction. La courroie doit être bien alignée lors de l'ajustement.
4. Ajuster le volant ou la poulie du moteur afin que la courroie fonctionne de manière droite.
5. Au besoin, utiliser un arrache-roue pour déplacer la poulie sur l'arbre du moteur. Serrer la vis de pression après que la poulie soit positionnée.

6. Attacher le carter de courroie.

ENTREPOSAGE

1. Lorsque hors d'usage, le tuyau et le compresseur devraient être entreposés dans un endroit frais et sec.
2. Purger l'humidité du/des réservoir(s). Débrancher le tuyau et l'accrocher avec les bouts ouverts faisant face en bas pour que l'humidité se purge.
3. Protéger le cordon électrique contre le dommage en le tortillant sans serrer autour de la manche du modèle ou en le roulant.

RENSEIGNEMENTS TECHNIQUE

Pour des informations concernant le fonctionnement ou la réparation, composer le 1-800-543-6400. Dans l'Ohio ou hors des É.-U., composer le 513-367-4811.

Guide De Dépannage

Symptôme	Cause(s) Possible(s)	Mesure Corrective
Pression de décharge basse	<ol style="list-style-type: none"> 1. Demande d'air dépasse la capacité de la pompe 2. Fuites d'air 3. Arrivée d'air limitée 4. Joints éclatés 5. Fuites ou dommage aux soupapes 	<ol style="list-style-type: none"> 1. Diminuer la demande d'air ou utiliser un compresseur de plus haute capacité. 2. Écouter pour des fuites d'air. Appliquer une solution savonneuse à tous les raccords et branchements et vérifier pour des bulles qui indiquent des fuites. Serrer ou remplacer les raccords ou branchements qui ont des fuites. 3. Nettoyer la cartouche filtrante. 4. Remplacer tous joints défectueux. 5. Enlever la culasse et inspecter pour des soupapes cassées, soupapes mal dressées, sièges de soupapes endommagés, etc. Remplacer toutes les pièces défectueuses et remonter.

⚠ ATTENTION

Installer un nouveau joint d'étanchéité de culasse chaque fois que la culasse est enlevée

Le filtre à air fond à cause du surchauffage de la pompe	<ol style="list-style-type: none"> 1. Joint isolant entre le filtre et la culasse manquant 2. Soupape cassée/joint éclaté 	<ol style="list-style-type: none"> 1. Installer un joint d'étanchéité. 2. Remplacer les soupapes ou installer un nouveau joint d'étanchéité.
Bruit excessif (cognement)	<ol style="list-style-type: none"> 1. Moteur ou poulie de compresseur délogé 2. Manque d'huile dans le carter 3. Bielle usée 4. Alésages d'axe de piston usés 	<ol style="list-style-type: none"> 1. Poulies de moteur et de compresseur délogés sont causes communes de cognement. Serrer les boulons de serrage et vis de pression de poulie. 2. Vérifier le niveau d'huile; si bas, inspecter les paliers pour du dommage. L'huile sale peut causer l'usure excessif. 3. Remplacer la bielle. Entretenir le niveau d'huile et changer l'huile plus souvent. 4. Enlever le piston équipé du compresseur et l'inspecter pour l'usure excessif. Remplacer les axes de piston ou pistons usés au besoin. Entretenir le niveau d'huile correct et changer l'huile plus souvent.

Guide De Dépannage (Suite)

Symptôme	Cause(s) Possible(s)	Mesure Corrective
Bruit excessif (cognement) Suite	<ol style="list-style-type: none"> 5. Piston frappe la plaque de soupape 6. Clapet bruyant dans le système de compresseur 	<ol style="list-style-type: none"> 5. Enlever la tête du compresseur et la plaque de soupape et inspecter pour de l'encrassement charbonneux ou autre matières étranges sur la partie supérieure du piston. Remplacer la culasse et la plaque de soupape et utiliser un nouveau joint d'étanchéité. Voir la section de Graissage pour l'huile recommandée. 6. Remplacer. <p>⚠ DANGER <i>Ne pas démonter le clapet si le réservoir est pressurisé</i></p>
Large quantité d'huile dans l'air de décharge REMARQUE: Il y aura toujours un peu d'huile dans le jet d'air avec un compresseur graissé par l'huile.	<ol style="list-style-type: none"> 1. Segments de piston usés 2. Arrivée d'air du compresseur limité 3. Huile excessive dans le compresseur 4. Viscosité d'huile incorrecte 	<ol style="list-style-type: none"> 1. Remplacer les segments de piston. Entretenir le niveau d'huile correct et changer l'huile plus souvent. 2. Nettoyer le filtre. Vérifier le système d'arrivée pour autres restrictions. 3. Vidanger jusqu'au niveau plein. 4. Utiliser l'huile Mobil 1® 10W-30
Eau dans l'air de débit/réservoir	<ol style="list-style-type: none"> 1. Fonctionnement normal. La quantité d'eau augmente avec le temps humide 	<ol style="list-style-type: none"> 1. Purger le réservoir plus souvent, au moins quotidiennement. 2. Ajouter un filtre pour diminuer la quantité d'eau dans la canalisation d'air.
Le moteur ronronne et fonctionne lentement ou pas du tout	<ol style="list-style-type: none"> 1. Cordon prolongateur utilisé 2. Fonctionnement défectueux du clapet ou de la soupape de déchargement 3. Basse tension 4. Panne de manostat - contacts ne ferment pas 	<ol style="list-style-type: none"> 1. N'utilisez pas un cordon prolongateur. Utilisez un tuyau d'air plus long avec un diamètre plus large. 2. Remplacer le clapet, la soupape de déchargement ou le manostat. <p>⚠ DANGER <i>Ne pas démonter le clapet si le réservoir est pressurisé</i></p> <ol style="list-style-type: none"> 3. Vérifier avec un voltmètre, inspecter le disjoncteur de réenclenchement du moteur. Si le disjoncteur de réenclenchement se déclenche à maintes reprises, rechercher et corriger la cause. Voir l'article suivant. 4. Réparer ou remplacer le manostat.
Le mécanisme de réenclenchement se déclenche à maintes reprises ou les fusibles sautent à maintes reprises	<ol style="list-style-type: none"> 1. Trop d'appareils sur le même circuit 2. Taille de fusible ou de disjoncteur incorrecte 3. Fonctionnement défectueux du clapet 4. Manostat réglé trop haut 5. Fils desserrés 6. Fonctionnement défectueux du moteur 	<ol style="list-style-type: none"> 1. Limiter l'usage du circuit au compresseur d'air seulement. 2. Vérifier la classification des fusibles et des disjoncteurs. 3. Remplacer le clapet. <p>⚠ DANGER <i>Ne pas démonter le clapet si le réservoir est pressurisé</i></p> <ol style="list-style-type: none"> 4. Régler ou remplacer. 5. Inspecter tous les branchements électriques. 6. Remplacer le moteur.
Le réservoir ne conserve pas la pression quand le compresseur est hors circuit et la soupape d'arrêt est fermée	<ol style="list-style-type: none"> 1. Clapet usé 2. Inspecter tous branchements et raccordements pour des fuites 3. Inspecter le réservoir pour des fentes ou des trous d'épingles 	<ol style="list-style-type: none"> 1. Remplacer le clapet. <p>⚠ DANGER <i>Ne pas démonter le clapet si le réservoir est pressurisé</i></p> <ol style="list-style-type: none"> 2. Serrer. 3. Remplacer le réservoir. Ne jamais réparer un réservoir endommagé.
Le manostat laisse souffler de l'air continuellement à travers de la soupape de déchargement	<ol style="list-style-type: none"> 1. Fonctionnement défectueux du clapet 	<ol style="list-style-type: none"> 1. Remplacer le clapet si la soupape de déchargement a une fuite d'air continue. <p>⚠ DANGER <i>Ne pas démonter le clapet si le réservoir est pressurisé</i></p>
Le manostat ne relâche pas l'air lorsque le modèle se coupe (off)	<ol style="list-style-type: none"> 1. Fonctionnement défectueux de la soupape de déchargement sur le manostat 	<ol style="list-style-type: none"> 1. Remplacer le manostat si la pression n'est pas dissipé pendant une courte durée quand le modèle se coupe. <p>⚠ DANGER <i>Ne pas démonter le manostat si le réservoir est pressurisé</i></p>
Vibration excessive	<ol style="list-style-type: none"> 1. Attaches desserrés 2. Changement de la courroie exigé 3. Redressage de la courroie 	<ol style="list-style-type: none"> 1. Serrer. 2. Remplacer avec une courroie de taille correcte. 3. Aligner le volant et la poulie.

Garantie Limitée

1. DURÉE: À partir de la date d'achat par l'acheteur original comme suit : Un An, Deux Ans, Trois Ans, Quatre Ans ou Cinq Ans comme indiqué sur l'étiquette de caractéristiques du produit.
2. GARANTIE ACCORDÉE PAR (GARANT) :
Campbell Hausfeld/Scott Fetzer Company, 100 Production Drive, Harrison, Ohio, 45030, Téléphone: (800) 543-6400.
3. BÉNÉFICIAIRE DE CETTE GARANTIE (ACHETEUR) : L'acheteur original (sauf en cas de revente) du produit Campbell Hausfeld.
4. PRODUITS COUVERTS PAR CETTE GARANTIE : N'importe quel compresseur d'air Campbell Hausfeld.
5. COUVERTURE DE LA PRÉSENTE GARANTIE : Pièces et Main d'œuvre pour remédier à de défauts importants causés par matériau et main d'œuvre pendant la première année de possession avec les exceptions indiquées ci-dessous. Pièces seulement pour remédier à de défauts importants causés par matériau et main d'œuvre pendant le temps restant de la couverture avec les exceptions indiquées ci-dessous.
6. LA PRÉSENTE GARANTIE NE COUVRE PAS :
 - A. Les garanties implicites, y compris celles de commercialisation et D'ADAPTATION À UNE FONCTION PARTICULIÈRE SONT LIMITÉES À PARTIR DE LA DATE D'ACHAT INITIALE TELLE QU'INDIQUÉE DANS LA SECTION DURÉE. Si le compresseur d'air est utilisé pour une fonction commerciale, industrielle ou pour la location, la durée de la garantie sera quatre-vingt-dix (90) jours de la date d'achat. Les compresseurs de deux étages ne sont pas limités à une garantie de quatre-vingt-dix (90) jours si utilisés dans les applications commerciales ou industrielles. Certaines Provinces (États) n'autorisent pas de limitations de durée pour les garanties implicites, donc les limitations précédentes peuvent donc ne pas s'appliquer.
 - B. TOUT DOMMAGE, PERTE OU DÉPENSE FORTUIT OU INDIRECT POUVANT RÉSULTER DE TOUT DÉFAUT, PANNE OU MAUVAIS FONCTIONNEMENT DU PRODUIT CAMPBELL HAUSFELD. Quelques Provinces (États) n'autorisent pas l'exclusion ni la limitation des dommages fortuits ou indirects. La limitation ou l'exclusion précédente peut donc ne pas s'appliquer.
 - C. Toute panne résultant d'un accident, d'une utilisation abusive, de la négligence ou d'une utilisation ne respectant pas les instructions données dans le(s) manuel(s) accompagnant le produit.
 - D. Service avant livraison; le montage, l'huile ou la graisse et les réglages par exemple.
 - E. Articles ou services qui sont exigés pour l'entretien normal du produit; graisses, filtres et joints d'étanchéité par exemple.
 - F. Les moteurs à essence et les pièces détachées sont expressément exclus de cette garantie limitée. L'acheteur doit observer la garantie du fabricant de moteur qui est fournie avec le produit.
 - G. Articles supplémentaires qui ne sont pas couverts sous cette garantie :
 1. Articles exclus relatifs à Tous les Compresseurs
 - a. Toutes pièces détachées endommagées pendant l'expédition, n'importe quelle panne causée par un montage ou fonctionnement du modèle sous des conditions qui ne se conforment pas aux directives de montage et de fonctionnement ou dommage causé par le contact avec les outils ou les alentours.
 - b. La défaillance de la pompe ou de la soupape causée par la pluie, l'humidité excessive, un environnement corrosif ou autres polluants.
 - c. Les défauts de forme qui n'ont pas d'effet sur le fonctionnement du compresseur.
 - d. Les réservoirs rouillés, y compris mais sans s'y limiter à la rouille causée par la vidange incorrecte ou par un environnement corrosif.
 - e. Les composants suivants sont considérés comme des articles sujets à l'usure normale et ne sont pas couverts après le premier an de possession.
Moteur électrique, soupape de retenue, interrupteur de pression, régulateur, manomètres, tuyaux, tubes, raccords, vis, écrous, articles de quincaillerie, courroies, poulies, volant, filtre d'air et boîtier, joints d'étanchéité, fuites d'air et d'huile, consommation ou usage d'huile, anneaux de piston.
 - f. Robinets de vidange.
 - g. Dommage dû à la tension ou installation de fils incorrecte.
 - h. Autres articles non indiqués mais considérés pièces d'usure générale.
 - i. Manostats, régulateurs d'air et soupapes de sûreté qui ont été modifiés d'après les réglages de l'usine.
 - j. Dommage causé par l'entretien insuffisant du filtre.
 - k. Moteurs à induction utilisant l'électricité produite par un générateur.
 2. Compresseurs Graissés
 - a. Usure de la pompe ou dommage aux soupapes causé par l'utilisation d'huile non-spécifiée.
 - b. Usure de la pompe ou dommage aux soupapes causé par toute contamination d'huile ou par le manque de suivre les directives d'entretien d'huile.
 - c. Usure ou dommage de la pompe causé par le manque de suivre les directives d'entretien d'huile, fonctionnement avec le niveau d'huile au dessous du bon niveau ou fonctionnement sans huile.
 - H. Main d'œuvre, appel de service, ou frais de transport après le premier an de possession de compresseurs stationnaires. Les compresseurs stationnaires sont identifiés par l'absence de manchon ou de roues.
7. RESPONSABILITÉ DU GARANT AUX TERMES DE CETTE GARANTIE : Réparation ou remplacement, au choix du Garant, d'un compresseur ou d'une pièce détachée qui s'est révélé défectueux ou qui n'est pas conforme pendant la durée de validité de la garantie.
8. RESPONSABILITÉ DE L'ACHETEUR AUX TERMES DE CETTE GARANTIE :
 - A. Fournir une preuve d'achat datée et un état d'entretien.
 - B. La livraison ou expédition des compresseurs portatifs ou des pièces détachées au Centre De Service Autorisé Campbell Hausfeld le plus près. Frais de transport, si applicables, sont la responsabilité de l'acheteur.
 - C. Utilisation et entretien du produit avec un soin raisonnable, ainsi que le décrit le(s) manuel(s) d'utilisation.
 - D. Réparations qui exigent de temps additionnel, taux de charge de fin de semaine, ou tout problème au-delà du taux normal de remboursement par main d'œuvre de réparations sous garantie du fabricant.
 - E. Temps nécessaire pour tout contrôle de sécurité, entraînement de sécurité, ou situation semblable parce que le personnel de service puisse obtenir l'accès à l'installation.
 - F. L'emplacement de l'unité doit être facilement accessible et avoir l'espace suffisant parce que le personnel de service puisse effectuer les réparations.
9. RÉPARATION OU REMPLACEMENT EFFECTUÉ PAR LE GARANT AUX TERMES DE LA PRÉSENTE GARANTIE : La réparation ou le remplacement sera prévu et exécuté en fonction de la charge de travail dans le centre de service et dépendra de la disponibilité des pièces de rechange.

Cette Garantie Limitée s'applique aux É.-U., au Canada et au Mexique seulement et vous donne des droits juridiques précis. L'acheteur peut également jouir d'autres droits qui varient d'une Province, d'un État ou d'un Pays à l'autre.

Sírvase leer y guardar estas instrucciones. Lea con cuidado antes de tratar de armar, instalar, manejar o darle servicio al producto descrito en este manual. Protéjase Ud. y a los demás observando todas las reglas de seguridad. El no seguir las instrucciones podría resultar en heridas y/o daños a su propiedad. Guarde este manual como referencia.

Compresores de Aire Estacionarios

Descripción

Estos compresores de aire están diseñados para suministrarle aire comprimido a herramientas neumáticas y operar pistolas pulverizadoras. Los cabezales suministrados con estas unidades están lubricados con aceite. El aire comprimido suministrado contiene residuos de aceite. Para utilizarlo en aplicaciones que requieran el suministro de aire sin residuos de aceite o agua, le debe instalar un filtro adecuado. El compresor de aire se debe colocar sobre un piso sólido según las instrucciones suministradas. Cualquier otro uso de estas unidades cancelaría la garantía y el fabricante no sería responsable por los problemas o daños ocasionados por dichos usos.

Medidas De Seguridad

Este manual contiene información que es muy importante que sepa y comprenda. Esta información se la suministramos como medida de SEGURIDAD y para EVITAR PROBLEMAS CON EL EQUIPO. Debe reconocer los siguientes símbolos.

⚠ PELIGRO

Esto le indica que hay una situación inmediata que LE OCASIONARIA la muerte o heridas de gravedad.

⚠ ADVERTENCIA

Esto le indica que hay una situación que PODRIA ocasionarle la muerte o heridas de gravedad.

⚠ PRECAUCION

Esto le indica que hay una situación que PODRIA ocasionarle heridas no muy graves.

AVISO

Esto le indica una información importante, que de no seguirla, le podría ocasionar daños al equipo.

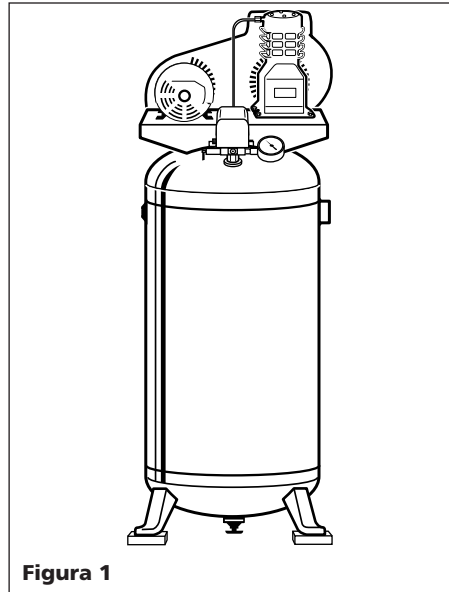


Figura 1

Para desempacar

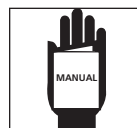
Al desempacar este producto, revíselo con cuidado para cerciorarse de que esté en perfecto estado. Igualmente, cerciórese de apretar todos los pernos, tuercas y conexiones, antes de usarlo.

Generales Seguridad

⚠ ADVERTENCIA No debe utilizar la unidad si se ha dañado durante el envío, manejo o uso. Los daños podrían ocasionar una explosión y ocasionarle heridas o daños a su propiedad.

Como el compresor de aire y otros componentes usados (bomba de material, pistolas pulverizadoras, filtros, lubricadores, mangueras, etc.) integran un sistema de alta presión, en todo momento deberá seguir las siguientes medidas de seguridad:

1. Lea con cuidado todos los manuales incluidos con este producto. Familiarícese con los controles y el uso adecuado del equipo.



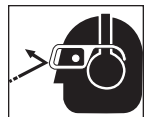
⚠ PELIGRO

Advertencia sobre el aire respirable

Este compresor/cabezal no viene listo de fábrica para suministrarle aire respirable. Antes de utilizarlos con este fin, deberá instalarle un sistema de seguridad y alarma incorporado a la línea. Este sistema adicional es necesario para filtrar y purificar el aire adecuadamente, para cumplir con las especificaciones mínimas sobre aire respirable de Grado D descritas en la Especificación de Productos G 7.1 - 1966 de la Asociación de Aire Comprimido. Igualmente, deberá cumplir los requisitos establecidos por el Artículo 29 CFR 1910. 134 de la Organización norteamericana OSHA y/o la Canadian Standards Associations (CSA).

RENUNCIA A LAS GARANTIAS
Si el compresor se utiliza para producir aire respirable SIN haberle instalado el sistema de seguridad y alarma, todas la garantías se anularán y la compañía Campbell Hausfeld. no asumirá NINGUNA responsabilidad por pérdidas, heridas personales o daños.

2. Siga todos los códigos de seguridad laboral y electricidad establecidos en su país, por ejemplo, los de la NEC y OSHA en EUA.
3. Sólo personas bien familiarizadas con estas medidas de seguridad deben utilizar el compresor.
4. Mantenga a los visitantes alejados y NUNCA permita la presencia de niños en el área de trabajo.
5. Use anteojos de seguridad y protéjase los oídos para operar la unidad.
6. No se encarama sobre la unidad ni la use para sostenerse.
7. Antes de cada uso, revise el sistema de aire comprimido y los



RECORDATORIO: ¡Guarde su comprobante de compra con fecha para fines de la garantía!
Adjúntela a este manual o archívela en lugar seguro.

Generales Seguridad (Continuación)

componentes eléctricos para ver si están dañados, deteriorados o hay fugas. Antes de usarlo cerciúrese de reemplazar las piezas defectuosas.

- Chequéese con frecuencia todas la conexiones y cerciúrese de que estén bien apretadas.

⚠️ ADVERTENCIA

Los motores, equipos eléctricos y controles, pueden ocasionar arcos eléctricos que se encenderían con gases o vapores inflamables. Nunca utilice o repare el compresor cerca de gases o vapores inflamables. Nunca almacene líquidos o gases inflamables cerca del compresor.



⚠️ ADVERTENCIA

Nunca opere el compresor sin las tapas de protección. Esta unidad se puede encender automáticamente sin previo aviso. El contacto con las piezas en movimiento le podría ocasionar heridas o daños a su propiedad.



- Nunca use ropa muy holgada ni joyas, ya que se le podrían enredar en las partes en movimiento.

⚠️ PRECAUCION

Las piezas del compresor podrían estar calientes inclusive si la unidad no está funcionando.



- Mantenga los dedos alejados del compresor cuando esté funcionando; las piezas en movimiento o calientes le ocasionarían heridas y/o quemaduras.
- Si el equipo comienza a vibrar excesivamente, APAGUE la unidad y chequéela inmediatamente para determinar el problema. Generalmente, la vibración se debe a una falla.
- Para reducir el peligro de incendios, mantenga el exterior del compresor limpio (sin aceite, solvente o exceso de grasa).

⚠️ ADVERTENCIA

DEBE instalarle una válvula de seguridad ASME que esté diseñada para presiones máximas de 10,34 bar en el tanque de este compresor. Esta válvula debe estar diseñada para los valores máximos de flujo y presión para proteger los componentes bajo presión contra el peligro de explosión.

⚠️ PRECAUCION

Vea las especificaciones del compresor en la calcomanía para la presión máxima

operativa. No opere con el presostato o la válvula piloto ajustados a presiones más elevadas de la presión máxima operativa.

- Nunca trate de ajustar la válvula de seguridad ASME. Manténgala limpia y evite que la acumulación de pintura u otros desperdicios.

⚠️ ADVERTENCIA

Nunca use tuberías de plástico (PVC) en sistemas de aire comprimido. El compresor sin las tapas de protección. El hacerlo podría ocasionarle heridas o daños a su propiedad.

⚠️ PELIGRO

¡Nunca trate de reparar o modificar el tanque! Al soldarlo, taladrarle orificios o modificarlo de cualquier otro modo éste se debilitaría y podría romperse o explotar. Siempre reemplace los tanques desgastados, rotos o dañados.



AVISO

Drene el tanque

- Los tanques se oxidan debido a la acumulación de humedad. Cerciúrese de drenar el tanque con regularidad e inspecciónelo periódicamente para ver si no está en buenas condiciones, por ejemplo si está oxidado.
- Si expulsa aire rápidamente podría levantar polvo o residuos dañinos. Libere el aire lentamente para drenar el tanque o liberar la presión del compresor.

PRECAUCIONES PARA ROCIAR

⚠️ ADVERTENCIA

Nunca rocíe materiales inflamables cerca de llamas al descubierto o fuentes de ignición, incluyendo el compresor.



- No fume mientras esté rociando pintura, insecticidas u otras sustancias inflamables.
- Use una máscara/respirador cuando vaya a rociar y siempre rocíe en un área bien ventilada, para evitar peligros de salud e incendios.



- Nunca rocíe la pintura y otros materiales, directamente hacia el compresor. Coloque el compresor lo más lejos posible del área de trabajo, para minimizar la acumulación de residuos en el compresor.
- Al rociar o limpiar con solventes o químicos tóxicos, siga las instrucciones del fabricante de dichos químicos.

Introducción

Vea la Figura 2.

PARA INSTALARLE UNA VALVULA DE CIERRE

Debe instalarle una válvula de cierre en el orificio de salida del tanque para controlar el flujo de aire que sale del tanque. La válvula se debe colocar entre el tanque y las tuberías.

Presostato - Sistema de encendido automático - En "auto", el compresor se apaga automáticamente cuando la presión del tanque alcanza la presión máxima fijada. Después de gastar el aire del tanque y que la presión baje al nivel bajo preajustado, el presostato automáticamente vuelve a prender el motor. En "off", el compresor no puede funcionar. El presostato debe estar en "off" cuando vaya a conectar o desconectar el cordón eléctrico del tomacorrientes.

Cuando el presostato apaga el motor usted podrá oír la salida de aire de la válvula de descarga del presostato por un breve tiempo. Esto descarga la presión de aire del tubo de descarga y permite que el compresor vuelva a arrancar con facilidad. Para las unidades sin presostato manual, cuando sea necesario poner el presostato en OFF, use el interruptor que corta la energía.

Descargador - Este instrumento ubicado en el presostato permite la salida de aire comprimido para facilitar que el motor arranque bajo presión.

Regulador - El regulador controla la presión de aire que sale por la manguera (Se vende por separado).

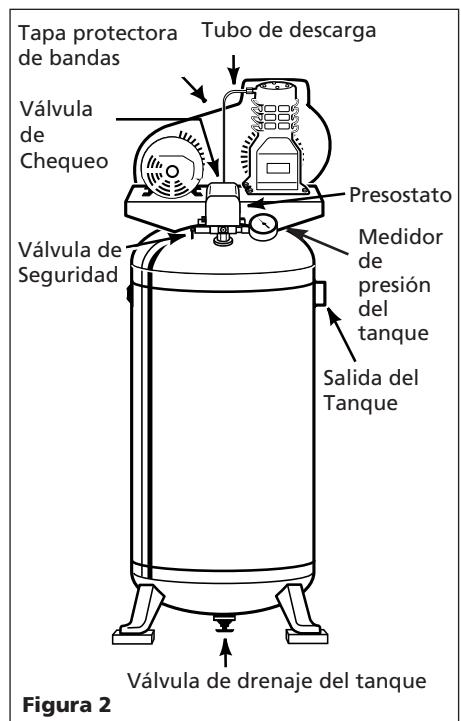


Figura 2

Introducción (Continuación)

Válvula de Seguridad ASME - Esta válvula libera el aire automáticamente si la presión del tanque excede el nivel máximo fijado.

Tubo de Descarga - Este tubo transporta el aire comprimido del cabezal a la válvula de chequeo. Este tubo se calienta mucho durante el uso. Para evitar el riesgo de sufrir quemaduras severas, nunca toque el tubo de descarga.

Válvula de Chequeo - Esta válvula de un solo sentido permite la entrada de aire al tanque, pero evita que se regrese al cabezal.

Tapa de las Bandas - Cubre la banda, la polea del motor y el volante.

Válvula de drenaje del tanque - Esta válvula está ubicada en la parte inferior del tanque. Úsela para drenar la humedad del tanque diariamente para reducir el riesgo de que el tanque se oxide.

Reduzca la presión del tanque a menos de 0,69 bar, después drene la humedad del tanque para evitar que se oxide. Drene la humedad del/de los tanque(s) abriendo la válvula de drenaje ubicada debajo del tanque.

Instalación

⚠️ ADVERTENCIA

Desconecte el cordón eléctrico y amárrelo y después libere toda la presión del sistema antes de tratar de instalarlo, darle servicio o darle cualquier tipo de mantenimiento.



UBICACION

AVISO

Este compresor no está diseñado para instalarse a la intemperie.

Es sumamente importante que instale el compresor en un área limpia y bien ventilada donde la temperatura ambiental no exceda los 38,1° C.

La distancia mínima entre el volante del compresor o ventilador y la pared debe ser de 45,7 cm (18") para tener acceso a la llave de drenaje sin inconvenientes.

No coloque la entrada de aire del compresor en un área donde haya vapor, se rocíe pintura o arena o haya ningún otro tipo de contaminación.

INSTALACION

⚠️ PRECAUCION

Nunca instale el compresor sobre las bases de madera usadas para transportarlo.

INSTALACION EN EL PISO

(Todas las Unidades)

DEBERA atornillar las patas a una superficie plana y nivelada, tal como un piso de concreto o una base de concreto aparte. **Debe** usar almohadillas aislantes entre las patas del tanque y el piso. **No apriete los pernos excesivamente.** (Parte núm. MP3445, disponible por separado). Permita que las almohadillas absorban la vibración. Deberá instalar conexiones flexibles entre el tanque y las tuberías.

⚠️ ADVERTENCIA

La parte superior de este compresor es sumamente pesada. La unidad se atornilla al piso y colocarle almohadillas aislantes o se debe asegurar a la pared con el cable (si se incluye) antes de utilizarla para evitar daños, heridas o la muerte.

INSTALACION DEL CABLE PARA SOSTENERLO A LA PARED

(Suministrado con algunos modelos de 113,6 Litros)

En algunos modelos de 30 galones se proporciona un cable de pared el cual debe ser instalado.

Con el cable de seguridad se incluyen dos tornillos de fiador y arandelas.

1. Coloque una almohadilla aislante debajo de cada pata del compresor para minimizar la vibración.
2. Coloque el cable en la base tal como se le indica en la Figura 3.
3. Colóquelo las arandelas a los tornillos e introdúzcalos en los aros de los extremos del cable.
4. Si es una pared de entramado, los tornillos se deben fijar al montante. Use una trabilla si la pared es de concreto.

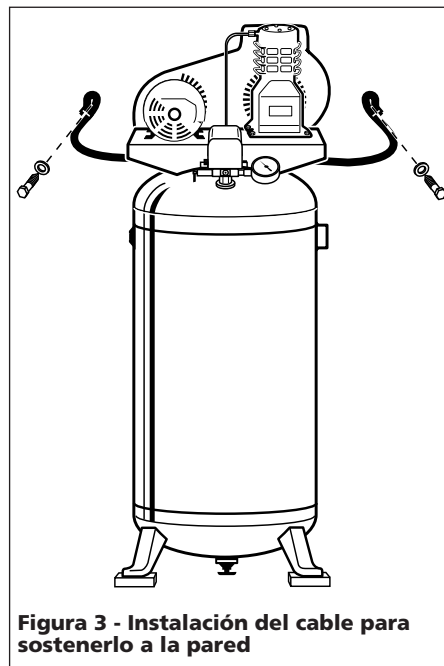


Figura 3 - Instalación del cable para sostenerlo a la pared

⚠️ ADVERTENCIA No use tornillos de fiador para fijar el compresor a muros en seco. Éstos no son lo suficientemente resistentes para sostener el peso del compresor.

⚠️ ADVERTENCIA Nunca instale la válvula de cierre entre el cabezal y el tanque. Ésto podría ocasionarle heridas y/o daños a su propiedad.

TUBERIAS

⚠️ ADVERTENCIA Nunca use tuberías de plástico (PVC) en sistemas de aire comprimido. El hacerlo podría ocasionarle heridas o daños a su propiedad.

Todo tubo o manguera empleado debe estar capacitado para presiones de más de 150 psi. Tamaño mínimo recomendado para tubos:

- hasta 50 pies de largo: use 1/2"
- más de 50 pies: use 3/4"

Es siempre aconsejable usar diámetros mayores.

Instalaciones Eléctricas

SOLO LAS UNIDADES CON CONEXIONES PERMANENTES

⚠️ ADVERTENCIA Todos los trabajos de alambrado y conexiones eléctricas las debe hacer un electricista calificado. Las instalaciones eléctricas se deben hacer según los códigos locales y nacionales.

CONEXION A TIERRA

Este aparato debe estar conectado a tierra. Si la unidad trae un cordón instalado de fábrica, enchúfelo en una toma de tamaño apropiado y conectada a tierra. Para las unidades que no traen cordón instalado de fábrica, instale un alambrado permanente desde la fuente de energía hasta el presostato, con un cable de tierra conectado al tornillo de tierra del presostato. El usuario puede también instalar un cordón de tamaño apropiado con enchufe y cable de tierra.

⚠️ PELIGRO

Los artefactos eléctricos conectados a tierra incorrectamente constituyen un riesgo de electrocutamiento. Cerciérese de que todas las conexiones a tierra estén hechas adecuadamente.



ALAMBRADO

Los códigos locales de electricidad varían de un área a otra. El sistema de alambrado, los enchufes y protectores deben cumplir con el voltaje y amperaje indicado en la placa del motor. Igualmente, éstos deben cumplir con los códigos locales de electricidad. Use un fusible tipo T de acción retardada.

Instalación (Continuación)

SOLO LAS UNIDADES CON CONEXIONES PERMANENTES

PRECAUCION Si no instala el sistema de alambrado adecuado podría ocasionar sobrecalentamiento, cortocircuitos e incendios.

Debe instalar un sistema de protección al motor si éste no tiene un sistema de protección de sobrecarga térmica incorporado. Algunas unidades trifásicas requieren que se les instale un motor de arranque magnético para la protección térmica (Vea la Figura 4).

Conexiones Eléctricas

SOLO LAS UNIDADES CON CORDONES

NOTA: Las unidades de 120 voltios, 15 amperios se pueden utilizar en circuitos de 120 voltios y 15 amperios bajo las siguientes condiciones:

1. Que no haya ningún otro artefacto eléctrico o lámpara conectado al mismo circuito.
2. El suministro de voltaje sea normal.
3. El circuito esté equipado con un cortacircuito de 15 amperios o con un fusible de acción retardada tipo T de 15 amperios T (En Canada use Tipo D).

Si no puede satisfacer las condiciones arriba enumeradas, o si el sistema de protección apaga la unidad constantemente, tal vez tenga que conectar el compresor a un circuito de 120 voltios y 20 amperios. Algunos modelos también se pueden utilizar con 240 voltios, vea la sección MOTOR DE VOLTAJE DOBLE.

PARA CONECTAR A TIERRA

1. Este producto está diseñado para conectarse a circuitos nominales de 120 ó 240 voltios y tiene un enchufe similar al de la Fig. 5. Cerciérese de conectarlo a un tomacorrientes diseñado para el enchufe. Este producto debe conectarse a tierra. En caso de que ocurriese un

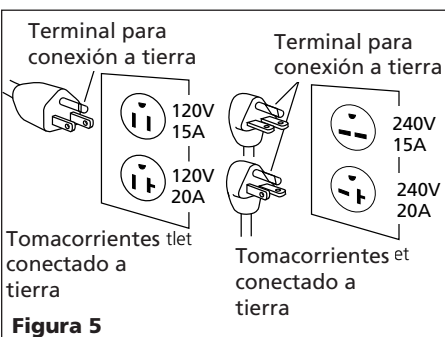


Figura 5

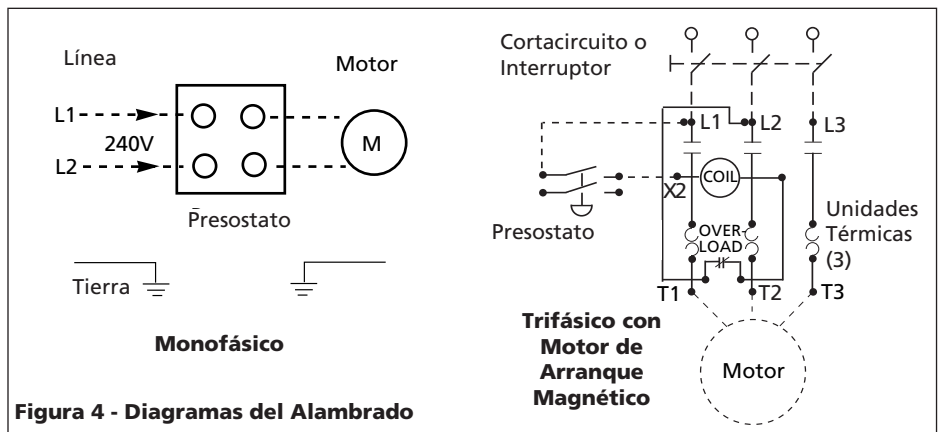


Figura 4 - Diagramas del Alambrado

cortocircuito, la conexión a tierra reduciría el riesgo de choque eléctrico al ofrecerle un cable de desvío a la corriente eléctrica. Este producto viene equipado con un cordón eléctrico que tiene un alambre para conexión a tierra y un enchufe adecuado para éste. El enchufe se debe conectar a un tomacorrientes que esté instalado correctamente y conectado a tierra según los códigos y ordenanzas locales.

PELIGRO



El uso incorrecto del enchufe con conexión a tierra podría ocasionar peligro de electrocutamiento. No use un adaptador para conectarlo.

2. Si necesita reparar o reemplazar el cordón o el enchufe, no conecte el alambre de conexión a tierra a ninguno de los terminales planos del enchufe. El alambre de conexión a tierra es el que tiene el forro verde con o sin rayas amarillas.
3. Consúltelo a un electricista calificado o técnico de reparación si no comprende bien las instrucciones para conectar a tierra, o si tiene dudas si la unidad está conectada a tierra correctamente. No modifique el enchufe suministrado; si no lo puede conectar al tomacorrientes, un electricista calificado debe instalar el tomacorrientes adecuado.

ENCHUFES Y TOMACORRIENTES

1. Si no está familiarizado con el enchufe del cordón eléctrico o si éste no entra en el tomacorrientes, la Figura 5 le muestra los diferentes enchufes necesarios según el voltaje de la unidad.
2. Cerciérese de conectar el producto a un tomacorrientes diseñado para el enchufe que va a utilizar.
3. El tomacorrientes debe estar conectado a un circuito que tenga el voltaje y amperaje indicados.

4. NUNCA reemplace el tomacorrientes con uno para amperajes superiores sin antes determinar que lo puede hacer según los códigos locales de electricidad. Estas instalaciones las debe hacer un electricista calificado. Si necesita reconectar el producto para utilizarlo en circuitos diferentes, los trabajos de reconexión los debe hacer un técnico calificado.

MOTORES CON VOLTAJE DOBLE (ALGUNOS MODELOS)

AVISO

El enchufe con conexión a tierra se debe cambiar para transformar la unidad a voltaje doble.

Estos motores se pueden utilizar con 120 ó 240 voltios. Compare el enchufe del cordón con los tomacorrientes mostrados abajo para determinar el voltaje para el cual el compresor viene de fábrica. Igualmente, chequee la placa del motor para cambiarlo de voltaje bajo a voltaje alto.

ADVERTENCIA Todos los trabajos de alambrado las debe hacer un electricista calificado. Desconecte la alimentación de energía antes de hacer cualquier cambio del alambrado.

ADVERTENCIA Cuando cambie el voltaje del compresor, cerciórese de conectar el cable verde, de conexión a tierra, al terminal de conexión de tierra del enchufe y a la parte metálica del presostato.

Ensamblaje

ACCESORIOS ADICIONALES NECESARIOS

Compre una manguera, un regulador y una válvula de cierre diseñados para presiones mínimas de 10,3 bar y que excedan las presiones máximas de trabajo del compresor.

EXTENSION PARA DRENAR EL ACEITE

Algunos modelos traen una extensión para el sistema de drenaje de aceite y una tapa (anexos al manual de instrucciones). Instale la extensión y la tapa **antes de añadirle aceite al cabezal**. Para evitar pérdidas de aceite, se recomienda aplicar cinta selladora de roscas de PTFE, o la pasta selladora, a las roscas a cada extremidad de la extensión de drenaje de aceite. Atornille la tapa en uno de los extremos de la extensión, quítele el tapón a la base del cabezal e instálele la extensión (Vea la Figura 6).

LUBRICACION

PRECAUCION *ESTA UNIDAD VIENE DE FABRICA SIN ACEITE. Siga las instrucciones de lubricación antes de utilizar el compresor.*

Cerciórese de haberle instalado la extensión para drenar el aceite y la tapa (si se incluyen), sáquele la varilla al respiradero (Vea la Fig. 6) y llénelo de aceite según se le indica en la tabla.

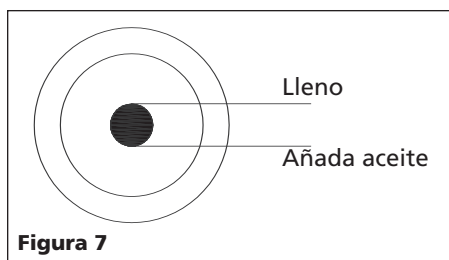
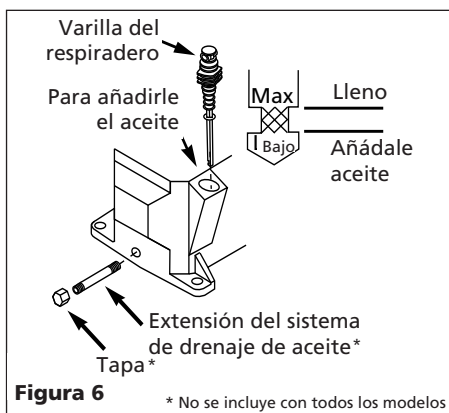
Cabezal	Cap. Aprox. de Aceite
VS260000KB	0,18 L
VT470200KB	0,34 L
VT470000KB	0,35 L
VH300000AV	0,95 L

La etiqueta en el tanque de aire específica el modelo del cabezal y la tabla en este manual le indica la capacidad de aceite para cada modelo.

ACEITE

Use aceite SAE 30 de calidad industrial para compresores de aire o un sintético tipo Mobil 1 10W30. **No use aceite normal para vehículos tipo 10W-30.** Los aditivos en los aceites para motores pueden ocasionar depósitos de residuos en las válvulas y reducir la duración del cabezal. Para lograr la máxima duración del cabezal, drene el aceite y cámbielo después de la primera hora de funcionamiento. La Figura 6 le indica el nivel adecuado de aceite.

En las bombas con mirilla de aceite, el nivel de aceite puede verificarse y mantenerse como se indica en la Figura 7.



HUMEDAD EN EL AIRE COMPRIMIDO

La humedad que se acumula en el aire comprimido se convierte en gotas a mediada que sale del cabezal. Cuando el nivel de humedad es muy alto o cuando el compresor ha estado en uso continuo por mucho tiempo, esta humedad se acumulará en el tanque. Cuando esté pintando o rociando arena, la humedad saldrá del tanque mezclada con el material que esté rociando.

IMPORTANTE: Esta condensación ocasionará manchas en la pintura, especialmente cuando esté pintando con pinturas que no sean a base de agua. Si está rociando arena, la humedad hará que la arena se aglutine y obstruya la pistola.

Instale un filtro de línea, ubicado lo más cerca posible de la pistola, para tratar de eliminar este problema.

Funcionamiento

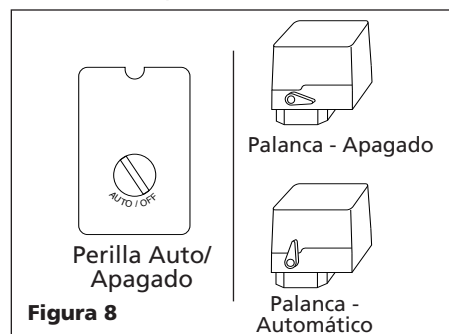
PREPARACION PARA EL USO

PRECAUCION *No conecte las herramientas neumáticas al extremo de la manguera hasta terminar el proceso de preparación para el uso y se haya cerciorado de que la unidad está lista para funcionar.*

ADVERTENCIA *¡Nunca desconecte las conexiones con roscas antes de liberar la presión del tanque!*

1. Sáquele el respiradero y llene el cabezal de aceite hasta alcanzar el nivel adecuado. Vea la sección de lubricación.

- Abra la válvula de drenaje del tanque. Abra la llave de salida para permitir el flujo de aire.
- Mueva la palanca o perilla del presostato a la posición OFF y enchufe el cordón de alimentación. Coloque la palanca del presostato en AUTO para encender la unidad.
- Deje que la unidad funcione por 30 minutos, sin carga, para que las piezas del cabezal se fijen.
- Mueva la palanca o perilla del presostato a la posición OFF y gire la válvula de drenaje del tanque para cortar el flujo de aire. El compresor estará listo para funcionar.



Mantenimiento

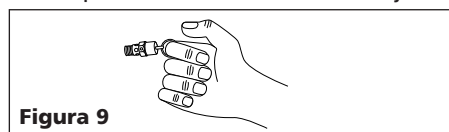
ADVERTENCIA *Desconecte el cordón eléctrico y amárralo y después libere toda la presión del sistema antes de tratar de instalarlo, darle servicio o darle cualquier tipo de mantenimiento.*

Todos los trabajos de reparación los debe hacer un técnico autorizado.

PARA EL FUNCIONAMIENTO EFICIENTE:

Semanalmente haga la siguiente prueba para verificar el funcionamiento adecuado de la válvula de seguridad y déle el mantenimiento necesario indicado en la tabla de mantenimiento.

- Hále el anillo de la válvula de seguridad y déjelo que regrese a su posición normal (Vea la Figura 9). Esta válvula libera el aire automáticamente si la presión del tanque excede el nivel máximo fijado.



PELIGRO *Nunca trate de modificar esta válvula. Esta válvula se debe chequear ocasionalmente. Si hay fugas de aire después de soltar el anillo, o si la válvula está atascada y no la puede activar con el anillo, deberá reemplazarla.*

Mantenimiento

(Continuación)

PRECAUCION

Si la válvula

de seguridad se hace funcionar con presión de aire en el tanque, se liberará una gran cantidad de aire que se encuentra en movimiento a gran velocidad.

2. Con el motor APAGADO y desconectado, limpie el motor, el volante, el tanque, las líneas de aire y las aletas de enfriamiento del cabezal.

BANDAS

Las bandas se estiran con el uso normal. Cuano están bien ajustadas la deflexión debe ser sólo una 12,7 mm (1/2") al aplicarle una fuerza de 2,27 kg entre la polea del motor y el cabezal (Vea la Figura 10).

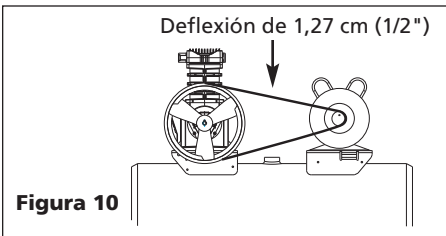


Figura 10

MANTENIMIENTO

Servicio Necesario	Diaria-mente	Semanal-mente	Mensual-mente	Trimestral-mente
Mida el Nivel de Aceite	●			
Drene el Tanque	●			
Chequée el Filtro de Aire		●		
Chequée la Válvula de Seguridad		●		
Limpie la unidad			●	
Chequée la Tensión de las Bandas			●	
Cámbiele el Aceite				●

PARA AJUSTAR LA BANDA:

1. Quítele la tapa.
2. Aloje los cuatro tornillos que sostienen el motor a la base.
3. Mueva el motor en la dirección adecuada. La banda debe estar bien alineada al hacer este ajuste.
4. Ajuste el volante o la polea del motor para que la banda corra derecha.
5. Si es necesario, use un sacaengranaje para mover la polea en el eje del motor. Apriete el tornillo después de terminar de mover la polea.
6. Colóquele la tapa de la banda.

ALMACENAMIENTO

1. Cuando no los esté usando, almacene la manguera y el compresor en un sitio frío y seco.
2. Debe drenar la humedad del tanque y desconectar la manguera y colgarla con los extremos hacia abajo para drenarla.
3. Para proteger el cordón eléctrico, enróllelo en el mango de la unidad o enróllelo y amárralo.

INFORMACION TECNICA

Para recibir información sobre el funcionamiento o reparación de la unidad, sírvase llamar al 1-800-543-6400 (en EUA). En el exterior, comuníquese con el distribuidor autorizado más cercano a su domicilio.

Guía de Diagnóstico de Averías

Problema	Posible(s) Causa(s)	Acción a Tomar
Baja presión de descarga	<ol style="list-style-type: none"> 1. La demanda de aire excede la capacidad de la bomba 2. Pérdidas de aire 3. Entrada de aire restringida 4. Juntas defectuosas 5. Válvulas dañadas o con pérdidas. 	<ol style="list-style-type: none"> 1. Reduzca la demanda de aire o utilice un compresor de mayor capacidad. 2. Escuche para detectar pérdidas de aire. Aplique una solución jabonosa a todos los accesorios y conexiones. Aparecerán burbujas en los puntos donde existan pérdidas. Ajuste o reemplace los accesorios o conexiones con pérdidas. 3. Limpie el elemento del filtro de aire. 4. Reemplace cualquier junta que pruebe estar defectuosa al inspeccionarla. 5. Quite el cabezal e inspecciónelo para detectar posibles roturas de la válvula, válvulas desalineadas, asientos de válvulas dañados, etc. Reemplace las piezas defectuosas y vuelva a armar.
	<p>PRECAUCION <i>Instale una nueva junta para el cabezal cada vez que éste sea quitado.</i></p>	
El sobrecalentamiento de la bomba derrite el filtro	<ol style="list-style-type: none"> 1. No está la junta de aislamiento entre el filtro y el cabezal 2. Válvulas rotas/juntas defectuosas 	<ol style="list-style-type: none"> 1. Instale la junta. 2. Reemplace las válvulas o instale una junta nueva.
Ruido excesivo (golpeteo)	<ol style="list-style-type: none"> 1. Motor o polea del compresor floja 2. Falta de aceite en el cárter 3. Biela gastada 4. Diámetros del eje del émbolo desgastados 5. El émbolo pega contra la placa de la válvula 	<ol style="list-style-type: none"> 1. Es común que el motor o las poleas del compresor flojas causen golpeteo de los compresores. Ajuste los tornillos de los sujetadores de la polea y los tornillos de montaje. 2. Controle si el nivel de aceite es el adecuado; si está bajo, verifique la posibilidad de que los cojinetes estén dañados. El aceite sucio puede causar un desgaste excesivo. 3. Reemplace la biela. Mantenga el nivel de aceite y cambie el aceite con más frecuencia. 4. Quite los ensamblajes del émbolo del compresor e inspecciónelos para detectar un desgaste excesivo. Reemplace el eje del émbolo(s) si está excesivamente desgastado o según necesario. Mantenga el nivel de aceite y cambie el aceite con más frecuencia. 5. Quite el cabezal del compresor y la placa de la válvula e inspeccione para detectar depósitos de carbón u otros elementos extraños en la cabeza del émbolo. Vuelva a colocar el cabezal y la placa de la válvula utilizando una junta nueva. Consulte la sección de lubricación para el aceite recomendado.

Guía de Diagnóstico de Averías (Continuación)

Problema	Posible(s) Causa(s)	Acción a Tomar
Ruido excesivo (golpeteo) - Continuación	6. Válvula de verificación ruidosa en el sistema del compresor	6. Reemplácela. PELIGRO No desarme la válvula de verificación con presión de aire en el tanque.
Aceite excesivo en el aire de descarga. NOTA: En un compresor lubricado con aceite siempre hay una pequeña cantidad de aceite en el flujo de aire.	1. Aros del émbolo desgastados 2. La entrada de aire del compresor está restringida 3. Demasiado aceite en el compresor 4. Viscosidad del aceite equivocada	1. Reemplácelos con aros nuevos. Mantenga el nivel de aceite y cambie el aceite con más frecuencia. 2. Limpie el filtro. Verifique otras restricciones en el sistema de entrada. 3. Escúrralo hasta que alcance el nivel de lleno. 4. Use Mobil 1® 10W-30.
Agua en el aire de salida o en el tanque	1. Operación normal. La cantidad de agua aumenta con el clima húmedo	1. Drene el tanque con más frecuencia. Al menos diariamente. 2. Agregue un filtro
El motor zumba y funciona lentamente o no funciona en lo absoluto	1. Utiliza un cordón de extensión 2. Malfuncionamiento de la válvula de verificación o de la válvula de descarga 3. Voltaje bajo 4. Malfuncionamiento del interruptor presión, los contactos no se cierran	1. No utilice un cordón de extensión. Utilice una manguera de aire más larga con un diámetro mayor. 2. Reemplace la válvula de verificación, la válvula de descarga o el interruptor de presión. PELIGRO No desarme la válvula de verificación con presión de aire en el tanque. 3. Verifique con un voltímetro, revise el interruptor de reajuste del motor. Si este se dispara varias veces, busque la causa y corríjala. Consulte el siguiente punto. 4. Repare o reemplace el interruptor de presión.
El mecanismo de reajuste interrumpe el funcionamiento constantemente o los fusibles se funden con frecuencia	1. Demasiados aparatos en el mismo circuito 2. Tamaño incorrecto del fusible o del disyuntor 3. Malfuncionamiento de la válvula de verificación 4. Interruptor de presión fijado demasiado alto 5. Cableado flojo 6. Malfuncionamiento del motor	1. Use sólo el compresor de aire en el circuito. 2. Asegúrese de que los fusibles o los disyuntores sean del tamaño adecuado. 3. Reemplace la válvula de verificación PELIGRO No desarme la válvula de verificación con presión de aire en el tanque. 4. Ajuste o reemplace el interruptor. 5. Verifique todas las conexiones eléctricas 6. Reemplace el motor.
El tanque no mantiene la presión cuando el compresor está apagado y la válvula de cierre está cerrada	1. Válvula desgastada 2. Verifique todas las conexiones y los accesorios para detectar fugas 3. Revise el tanque para detectar fisuras o perforaciones	1. Reemplace la válvula. PELIGRO No desarme la válvula de verificación con presión de aire en el tanque. 2. Apriete. 3. Reemplace el tanque. Nunca repare un tanque dañado
El interruptor de presión tira continuamente aire por la válvula de descarga	1. Malfuncionamiento de la válvula	1. Reemplace la válvula de verificación si la válvula de descarga tiene pérdidas constantemente. PELIGRO No desarme la válvula de verificación con presión de aire en el tanque.
El interruptor de presión no libera el aire cuando la unidad de apaga	1. Malfuncionamiento de la válvula de descarga en el interruptor de presión	1. Reemplace el interruptor de presión si éste no libera la presión por un breve período de tiempo cuando se apaga la unidad. PELIGRO No desarme el interruptor de presión si hay presión en el tanque.
Vibración excesiva	1. Ajustadores flojos 2. La correa necesita ser reemplazada 3. Alineación de la correa	1. Ajústelos. 2. Reemplace la correa con otra del tamaño adecuado. 3. Alinee el volante y la polea.

Garantía Limitada

1. DURACIÓN: A partir de la fecha de compra por el comprador original tal como se especifica a continuación: Un Año, Dos Años, Tres Años, Cuatro Años o Cinco Años como se indica en la etiqueta de características del producto.
2. QUIEN OTORGA ESTA GARANTÍA (EL GARANTE: Campbell Hausfeld / The Scott Fetzer Company 100 Production Drive, Harrison, Ohio 45030 Teléfono: (800) 543-6400
3. QUIEN RECIBE ESTA GARANTÍA (EL COMPRADOR): El comprador original (que no sea un revendedor) del producto Campbell Hausfeld.
4. PRODUCTOS CUBIERTOS POR ESTA GARANTÍA: Cualquier compresor de aire Campbell Hausfeld.
5. COBERTURA DE LA GARANTÍA: Piezas y Mano de Obra para remediar defectos importantes debidos a material y mano de obra durante el primer año de propiedad con las excepciones indicadas a continuación. Piezas solamente para remediar defectos importantes debidos a material y mano de obra durante el tiempo de cobertura que quede con las excepciones indicadas a continuación.
6. LO QUE NO ESTÁ CUBIERTO POR ESTA GARANTÍA:
 - A. Las garantías implícitas, incluyendo aquéllas de comerciabilidad e IDONEIDAD PARA FINES PARTICULARES, ESTÁN LIMITADAS A PARTIR DE LA FECHA DE COMPRA ORIGINAL DE ACUERDO CON LO ESPECIFICADO EN EL PÁRRAFO DE DURACIÓN. Si el compresor de aire es empleado para uso comercial, industrial o para renta, la garantía será aplicable por noventa (90) días a partir de la fecha de compra. La garantía de los compresores de dos etapas no se limita a los 90 (noventa) días cuando éstos se usen para trabajos comerciales o industriales. En algunos estados no se permiten las limitaciones a la duración de una garantía implícita, por lo cual las limitaciones antedichas pueden no ser aplicables en su caso.
 - B. CUALQUIER PÉRDIDA DAÑO INCIDENTAL, INDIRECTO O CONSECUENTE QUE PUEDA RESULTAR DE UN DEFECTO, FALLA O MALFUNCIONAMIENTO DEL PRODUCTO CAMPBELL HAUSFELD. En algunos estados no se permite la exclusión o limitación de daños incidentales o consecuentes, por lo tanto, en tales casos esta limitación o exclusión no es aplicable
 - C. Cualquier falla que resulte de un accidente, abuso, negligencia o incumplimiento de las instrucciones de funcionamiento y uso indicadas en el (los) manual(es) que se adjunta(n) al compresor.
 - D. Los servicios requeridos antes de la entrega tales como: ensamblaje, aceite o lubricantes y ajustes.
 - E. Artículos o servicios normalmente requeridos para el mantenimiento del producto, tales como: lubricantes, filtros, empaques, etc.
 - F. Los motores de gasolina están específicamente excluidos de la cobertura de esta garantía limitada. El comprador debe seguir las cláusulas de la garantía otorgada por el fabricante del motor de gasolina que se suministra con el producto.
 - G. Artículos adicionales no cubiertos bajo esta garantía:
 1. Piezas excluidas que pertenecen a Todos los Compresores
 - a. Cualquier componente dañado durante el envío o cualquier daño ocasionado por haber instalado u operado la unidad bajo condiciones contrarias a lo indicado en las instrucciones para instalar u operar la unidad o daños ocasionados por el contacto con herramientas o los alrededores.
 - b. Daños del cabezal o las válvulas ocasionados por la lluvia, humedad excesiva, agentes corrosivos u otros contaminantes.
 - c. Daños de apariencia que no afecten el funcionamiento del compresor.
 - d. Tanques oxidados, incluyendo pero no limitado al óxido debido al drenaje inadecuado u agentes corrosivos en el ambiente.
 - e. Las siguientes piezas se consideran artículos sujetos a desgaste normal y no son cubiertas después del primer año de propiedad.
Motor eléctrico, válvula de retención, interruptor de presión, regulador, manómetros, mangueras, tuberías, tubos, accesorios y acoples, tornillos, tuercas, artículos de ferretería, correas, poleas, volante, filtro de aire y caja, juntas, sellos, pérdidas de aceite, pérdidas de aire, consumo o uso de aceite, anillos del pistón.
 - f. Llaves de drenaje
 - g. Daños debidos al alambrado incorrecto o conexión a circuitos con voltaje inadecuados para la unidad.
 - h. Otros artículos no enumerados pero considerados de desgaste general.
 - i. Presostatos, controles de flujo de aire y válvulas de seguridad cuyos parametros fijados de fábrica se modifiquen.
 - j. Daño por mantenimiento inadecuado del filtro.
 - k. Motores de inducción alimentados con electricidad producida por un generador.
 2. Compresores lubricados
 - a. Daños del cabezal o las válvulas debidos al uso de aceites no especificados.
 - b. Daños del cabezal o las válvulas debidos a cualquier contaminación del aceite o por no haber seguido las instrucciones de lubricación.
 - c. Desgaste o daño de la bomba causados por el no haber aplicado apropiadamente los criterios de mantenimiento en referencia al aceite, funcionamiento con nivel de aceite por debajo del nivel apropiado o funcionamiento sin aceite.
 - H. Mano de obra, llamadas de servicio o cargos por concepto de transporte después del primer año de propiedad de compresores estacionarios. Los compresores estacionarios se identifican por no tener asidero o ruedas.
7. RESPONSABILIDADES DEL GARANTE BAJO ESTA GARANTÍA: Reparar o reemplazar, como lo decida el Garante, el compresor o componentes que estén defectuosos, se hayan dañado o hayan dejado de funcionar adecuadamente, durante el período de validez de la garantía
8. RESPONSABILIDADES DEL COMPRADOR BAJO ESTA GARANTÍA:
 - A. Suministrar prueba fechada de compra y la historia de mantenimiento del producto.
 - B. Entregar o enviar los compresores de aire portátiles o componentes al Centro de Servicio autorizado Campbell Hausfeld más cercano. Los gastos de flete, de haberlos, deben ser pagados por el comprador.
 - C. Tener cuidado al utilizar el producto, tal como se indica(n) en el (los) manual(es) del propietario.
 - D. Reparaciones que requieran tiempo adicional al horario normal de trabajo, o cualquier asunto que exceda la tarifa normal de reembolso por mano de obra para reparaciones bajo la garantía del fabricante.
 - E. El tiempo requerido por cualquier control de seguridad, capacitación relacionada con seguridad, o asuntos similares necesarios para que el personal de servicio pueda tener acceso a las instalaciones.
 - F. La ubicación de la unidad debe tener espacio suficiente para que el personal de servicio pueda realizar reparaciones y debe ser fácilmente accesible.
9. CUÁNDO EFECTUARÁ EL GARANTE LA REPARACIÓN O REEMPLAZO CUBIERTO BAJO ESTA GARANTÍA: La reparación o reemplazo dependerá del flujo normal de trabajo del centro de servicio y de la disponibilidad de repuestos.

Esta garantía limitada es válida sólo en los EE.UU., Canadá y México y otorga derechos legales específicos. Usted también puede tener otros derechos que varían de un Estado a otro. o de un país a otro.