

EX840500, VT633500, VT634600, VT634700, VT635000

Para ordenar repuestos, sírvase llamar al distribuidor de Campbell Hausfeld más cercano a su domicilio

Sírvase darnos la siguiente información:

- Número del modelo
- Número de serie (de haberlo)
- Descripción y número del repuesto según la lista de repuestos

Puede escribirnos a:

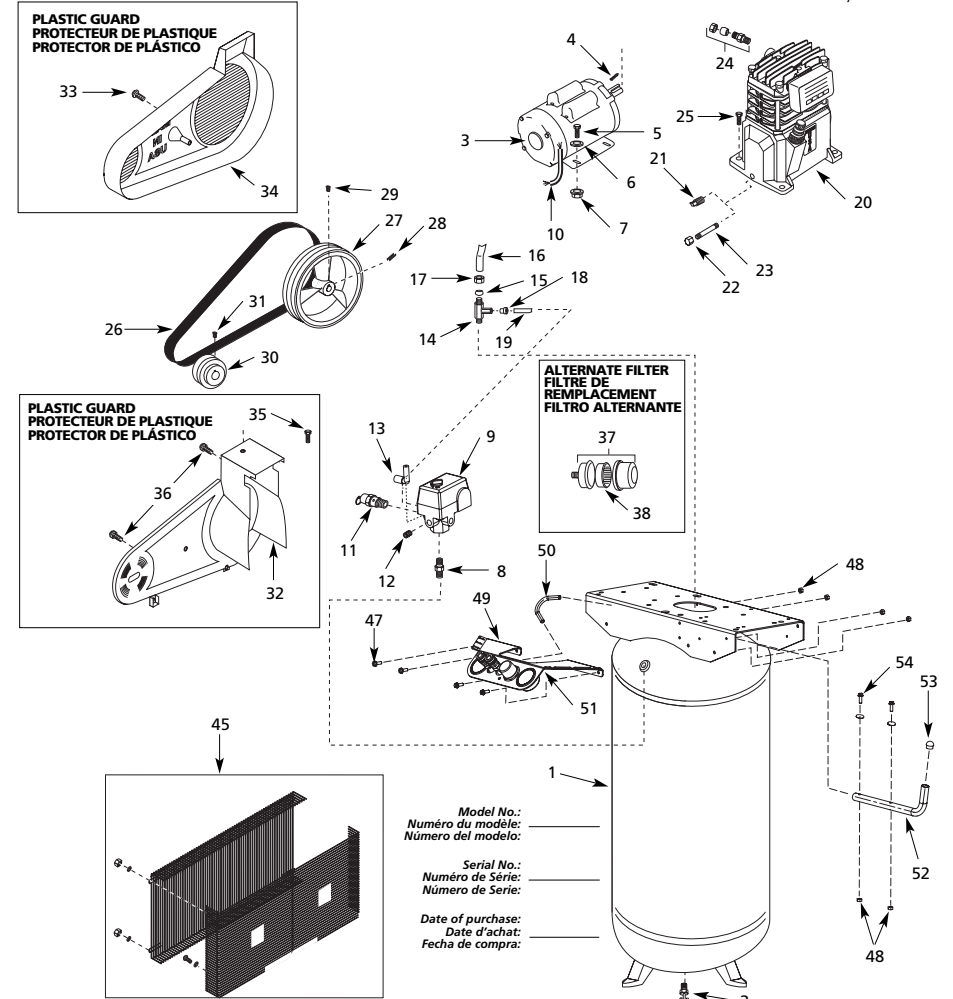
Campbell Hausfeld / Attn: Parts Dept.
100 Production Drive
Harrison, OH 45030 USA

Nú. Ref.	Descripción	Repuestos para los Modelos:				Ctd.
		VT634700	VT633500 VT635000	VT634600	EX840500	
1	Tanque	AR232400CG	AR040000CG	AR040000CG	AR040000CG	1
2	Llave de salida	ST127700AV	D-1403	D-1403	D-1403	1
3	Motor eléctrico	MC015402IP	MC015402IP	MC018000IP	MC015402IP	1
4	Chaveta	KE000903AV	KE000903AV	KE000903AV	KE000903AV	1
5	Tornillo de cabeza hex	ST011600AV	ST016000AV	ST016000AV	ST016000AV	4
6	Arandela	ST011200AV	ST011200AV	ST011200AV	ST011200AV	4
7	Tuerca de seguridad	ST146001AV	ST146001AV	ST146001AV	ST146001AV	1
8	Niple	ST070387AV	ST070387AV	ST070387AV	ST070387AV	1
9	Presostato	CW209300AJ	CW209300AJ	CW209000AJ	CW209300AJ	1
10	Cordón del motor	EC012800AV	EC012800AV	EC012800AV	EC012800AV	1
11	Válvula de seguridad ASME	V-215105AV	V-215105AV	V-215105AV	V-215105AV	1
12	Enchufe	ST022500AV	ST022500AV	ST022500AV	ST022500AV	1
13	Válvula de desfogue	CW210000AV	CW210000AV	CW210000AV	CW210000AV	1
14	Válvula de chequeo	CV221502AJ	CV221502AJ	CV221502AJ	CV221502AJ	1
15	Tapa de contacto	ST085200AV	ST085200AV	ST085200AV	ST085200AV	1
16	Tubo de escape	VT045000AP	VT043300AP	VT043300AP	VT043300AP	1
17	Tuerca de compresión	ST033001AV	ST033001AV	ST033001AV	ST033001AV	1
18	Ajuste de empuje	ST081301AV	ST081301AV	ST081301AV	ST081301AV	1
19	Tubo de salida	ST117802AV	ST117802AV	ST117802AV	ST117802AV	1
20	Cabezal	VT470000KB	VT470000KB	VT470000KB	VT470000KB	1
21	Tapón del drenaje de aceite	ST022300AV	ST022300AV	ST022300AV	ST022300AV	1
22	Tapa del drenaje de aceite	ST150100AV	ST150100AV	ST150100AV	ST150100AV	1
23	Extensión del drenaje de aceite	ST083800AV	ST083800AV	ST083800AV	ST083800AV	1
24	Ensamblaje de compresión	ST018300AV	ST018300AV	ST018300AV	ST018300AV	1
25	Tornillo autorroscante	ST016500AV	ST016500AV	ST016500AV	ST016500AV	4
26	Banda	BT020400AV	BT020400AV	BT020400AV	BT020400AV	1
27	Volante	PU015900AV	PU015900AV	PU015900AV	PU015900AV	1
28	Chaveta	KE000900AV	KE000900AV	KE000900AV	KE000900AV	1
29	Tornillo	ST026200AV	ST026200AV	ST026200AV	ST026200AV	1
30	Polea	PU012600AV	PU012600AV	PU015200AV	PU012600AV	1
31	Tornillo de cabeza cuadrada	ST012200AV	ST012200AV	ST012200AV	ST012200AV	1
32	Guardacorrea plástico (atrás)	BG217902AV	BG217902AV	BG217902AV	—	1
33	Tornillo	ST058502AV	ST058502AV	ST058502AV	—	1
34	Guardacorrea plástico (frente)	BG217800AV	BG217800AV	BG217800AV	—	1
35	Tornillo autorroscante	ST073269AV	ST073269AV	ST073269AV	—	1
36	Tornillo autorroscante	ST073277AV	ST073277AV	ST073277AV	—	3
37	Filtro alternante - diámetro del 5,08 cm (2")	WL012000AV	WL012000AV	WL012000AV	WL012000AV	1
38	Filtro alternante - diámetro del 7,62 cm (3")	ST073915AV	ST073915AV	ST073915AV	ST073915AV	1
38	Filtro alternante - diámetro del 10,16 cm (4")	ST073920AV	ST073920AV	ST073920AV	ST073920AV	1
38	Elemento del filtro alternante - diámetro del 5,08 cm (2")	WL012300AV	WL012300AV	WL012300AV	WL012300AV	1
38	Elemento del filtro alternante - diámetro del 7,62 cm (3")	ST073916AV	ST073916AV	ST073916AV	ST073916AV	1
38	Elemento del filtro alternante - diámetro del 10,16 cm (4")	ST073921AV	ST073921AV	ST073921AV	ST073921AV	1
39	▲ Juego de etiquetas de advertencias generales	DK630000AV	DK630000AV	DK630000AV	DK630000AV	1
40	▲ Etiqueta de advertencias para mover e instalar la unidad	DK364601AV	DK364601AV	DK364601AV	DK364601AV	1
41	▲ Reductor de orificio de inspección 5,08 cm x 19,1 mm (2" x 3/4")	PG201002AV	PG201002AV	PG201002AV	PG201002AV	1
41	▲ Reductor de orificio de inspección 5,08 cm x 6,4 mm (2" x 1/4")	PG201004AV	PG201004AV	PG201004AV	PG201004AV	1
42	▲ Tornillo del relieve de tensión	ST209800AV	ST209800AV	ST209800AV	ST209800AV	1
43	▲ Relieve de tensión	CW209700AV	CW209700AV	CW209700AV	CW209700AV	1
44	▲ Anillo en o para el orificio de inspección	ST070190AV	ST070190AV	ST070190AV	ST070190AV	2
45	▲ Ensamblaje de la guarda de la correa	—	—	BG218700AJ	BG218700AJ	1
46	▲ Cordón eléctrico	EC012901AV	EC012901AV	EC012601AV	EC012901AV	1
47	Tornillo de 6,4 mm (1/4") x 19,1 mm (3/4")	*	*	*	*	4
48	Tuerca de seguridad de 6,4 mm (1/4")	*	*	*	*	6
49	Ensamblaje de panel de control	VT036000AJ	VT036000AJ	VT036000AJ	VT036000AJ	1
50	Tubo de nilón de 9,5 mm (3/8")	ST117802AV	ST117802AV	ST117802AV	ST117802AV	1
51	Empalme de presión de 9,5 mm (3/8")	ST119704AV	ST119704AV	ST119704AV	ST119704AV	2
52	Soporte para la manguera	WL024000AV	WL024000AV	WL024000AV	WL024000AV	1
53	Tapón de plástico	ST073615AV	ST073615AV	ST073615AV	ST073615AV	1
54	Tornillo 6,4 mm (1/4") x 3,18 cm (1-1/4")	*	*	*	*	2
▲	No su muestra					
*	Artículo estándar de ferretería					

Vertical Air Compressors Compresseurs d'Air Verticaux Compressores de Aire Verticales

Replacement Parts List
Liste de Pièces de Rechange
Lista de Repuestos,

EX840500, VT633500, VT634600,
VT634700, VT635000



For Replacement Parts, Call 1-800-543-6400

Please provide following information:
 -Model number
 -Serial number (if any)
 -Part description and number as shown in parts list

Address parts correspondence to:
 Campbell Hausfeld / Attn: Parts Dept.
 100 Production Drive
 Harrison, OH 45030

Ref. No.	Description	Part Number for Models:				Qty.
		VT634700	VT633500	VT634600	EX840500	
1	Tank	AR232400CG	AR040000CG	AR040000CG	AR040000CG	1
2	Drain cock	ST127700AV	D-1403	D-1403	D-1403	1
3	Electric motor	MC015402IP	MC015402IP	MC018000IP	MC015402IP	1
4	Key	KE000903AV	KE000903AV	KE000903AV	KE000903AV	1
5	Hex head screw	ST016000AV	ST016000AV	ST016000AV	ST016000AV	4
6	Washer	ST011200AV	ST011200AV	ST011200AV	ST011200AV	4
7	Locknut	ST146001AV	ST146001AV	ST146001AV	ST146001AV	4
8	Nipple	ST070387AV	ST070387AV	ST070387AV	ST070387AV	1
9	Pressure switch	CW209300AJ	CW209300AJ	CW209000AJ	CW209300AJ	1
10	Motor cord	EC012800AV	EC012800AV	EC012800AV	EC012800AV	1
11	ASME Safety valve	V-215105AV	V-215105AV	V-215105AV	V-215105AV	1
12	Plug	ST022500AV	ST022500AV	ST022500AV	ST022500AV	1
13	Unloader valve	CW210000AV	CW210000AV	CW210000AV	CW210000AV	1
14	Check valve	CV221502AJ	CV221502AJ	CV221502AJ	CV221502AJ	1
15	Ferrule	ST085200AV	ST085200AV	ST085200AV	ST085200AV	1
16	Exhaust tube	VT045000AP	VT043300AP	VT043300AP	VT043300AP	1
17	Compression nut	ST033001AV	ST033001AV	ST033001AV	ST033001AV	1
18	Push-in fitting	ST081301AV	ST081301AV	ST081301AV	ST081301AV	1
19	Unloader tube	ST117802AV	ST117802AV	ST117802AV	ST117802AV	1
20	Pump	VT470000KB	VT470200KB	VT470000KB	VT470000KB	1
21	Oil drain plug	ST022300AV	ST022300AV	ST022300AV	ST022300AV	1
22	Oil drain cap	ST150100AV	ST150100AV	ST150100AV	ST150100AV	1
23	Oil drain extension	ST083800AV	ST083800AV	ST083800AV	ST083800AV	1
24	Compression assembly	ST018300AV	ST018300AV	ST018300AV	ST018300AV	1
25	Self-tapping screw	ST016500AV	ST016500AV	ST016500AV	ST016500AV	4
26	Belt	BT020400AV	BT020400AV	BT020400AV	BT020400AV	1
27	Flywheel	PU015900AV	PU015900AV	PU015900AV	PU015900AV	1
28	Key	KE000900AV	KE000900AV	KE000900AV	KE000900AV	1
29	Setscrew	ST026200AV	ST026200AV	ST026200AV	ST026200AV	1
30	Pulley	PU012600AV	PU012600AV	PU012600AV	PU012600AV	1
31	Square hd set screw	ST012200AV	ST012200AV	ST012200AV	ST012200AV	1
32	Plastic belt guard (back)	BG217902AV	BG217902AV	BG217902AV	—	1
33	Plascrew	ST058502AV	ST058502AV	—	—	1
34	Plastic belt guard (front)	BG217800AV	BG217800AV	BG217800AV	—	1
35	Self-tapping screw	ST073269AV	ST073269AV	—	—	1
36	Self-tapping screw	ST073277AV	ST073277AV	—	—	3
37	Alternate filter - 2" diameter	WL012000AV	WL012000AV	WL012000AV	WL012000AV	1
	Alternate filter - 3" diameter	ST073915AV	ST073915AV	ST073915AV	ST073915AV	1
	Alternate filter - 4" diameter	ST073920AV	ST073920AV	ST073920AV	ST073920AV	1
38	Alternate filter element - 2" diameter	WL012300AV	WL012300AV	WL012300AV	WL012300AV	1
	Alternate filter element - 3" diameter	ST073916AV	ST073916AV	ST073916AV	ST073916AV	1
	Alternate filter element - 4" diameter	ST073921AV	ST073921AV	ST073921AV	ST073921AV	1
39	▲ General warning decal set	DK630000AV	DK630000AV	DK630000AV	DK630000AV	1
40	▲ Moving and mounting warning decal	DK364601AV	DK364601AV	DK364601AV	DK364601AV	1
41	▲ Inspection port reducer 2" x 3/4"	PG201002AV	PG201002AV	PG201002AV	PG201002AV	1
	▲ Inspection port reducer 2" x 1/4"	PG201004AV	PG201004AV	PG201004AV	PG201004AV	1
42	▲ Strain relief screw	ST209800AV	ST209800AV	ST209800AV	ST209800AV	1
43	▲ Strain relief	CW209700AV	CW209700AV	CW209700AV	CW209700AV	1
44	▲ Inspection port o-ring	ST070190AV	ST070190AV	ST070190AV	ST070190AV	2
45	Beltguard assembly	—	—	BG218700AJ	—	1
46	▲ Power cord	EC012901AV	EC012901AV	EC012601AV	EC012901AV	1
47	1/4" x 3/4" Screw	*	*	*	*	4
48	1/4" Locknut	*	*	*	*	6
49	Control panel assembly	VT036000AJ	VT036000AJ	VT036000AJ	VT036000AJ	1
50	3/8" Nylon tube	ST117802AV	ST117802AV	ST117802AV	ST117802AV	1
51	3/8" Push-in fittings	ST119704AV	ST119704AV	ST119704AV	ST119704AV	2
52	Hose rack	WL024000AV	WL024000AV	WL024000AV	WL024000AV	1
53	Plastic plug	ST073615AV	ST073615AV	ST073615AV	ST073615AV	1
54	1/4" x 1-1/4" Screw	*	*	*	*	2
▲	Not shown					
*	Standard hardware item					

Pour Pièces de Rechange, Appeler 1-800-543-6400

S'il vous plaît fournir l'information suivant:
 -Numéro du modèle
 -Numéro de série (s'il y en a un)
 -Description de la pièce et son numéro sur la liste

Correspondance:
 Campbell Hausfeld / Attn: Parts Dept.
 100 Production Drive
 Harrison, OH 45030 USA

N° Ref.	Description	Numéro de Pièce pour Modèles:				Qté.
		VT634700	VT633500	VT634600	EX840500	
1	Réservoir	AR232400CG	AR040000CG	AR040000CG	AR040000CG	1
2	Robinet de vidange	ST127700AV	D-1403	D-1403	D-1403	1
3	Moteur électrique	MC015402IP	MC015402IP	MC018000IP	MC015402IP	1
4	Clavette	KE000903AV	KE000903AV	KE000903AV	KE000903AV	1
5	Vis à tête hexagonale	ST016000AV	ST016000AV	ST016000AV	ST016000AV	4
6	Rondelle	ST011200AV	ST011200AV	ST011200AV	ST011200AV	4
7	Écrou de serrage	ST146001AV	ST146001AV	ST146001AV	ST146001AV	4
8	Raccord	ST070387AV	ST070387AV	ST070387AV	ST070387AV	1
9	Manostat	CW209300AJ	CW209300AJ	CW209000AJ	CW209300AJ	1
10	Cordon du moteur	EC012800AV	EC012800AV	EC012800AV	EC012800AV	1
11	Soupape de sûreté ASME	V-215105AV	V-215105AV	V-215105AV	V-215105AV	1
12	Bouchon	ST022500AV	ST022500AV	ST022500AV	ST022500AV	1
13	Soupape de déchargement	CW210000AV	CW210000AV	CW210000AV	CW210000AV	1
	Clapet	CV221502AJ	CV221502AJ	CV221502AJ	CV221502AJ	1
15	Virule	ST085200AV	ST085200AV	ST085200AV	ST085200AV	1
16	Tuyau d'échappement	VT045000AP	VT043300AP	VT043300AP	VT043300AP	1
17	Écrou de compression	ST033001AV	ST033001AV	ST033001AV	ST033001AV	1
18	Raccord enfichable	ST081301AV	ST081301AV	ST081301AV	ST081301AV	1
19	Tuyau de déchargement	ST117802AV	ST117802AV	ST117802AV	ST117802AV	1
20	Pompe	VT470000KB	VT470200KB	VT470000KB	VT470000KB	1
21	Bouchon de vidage d'huile	ST022300AV	ST022300AV	ST022300AV	ST022300AV	1
22	Capuchon de vidage d'huile	ST150100AV	ST150100AV	ST150100AV	ST150100AV	1
23	Rallonge de vidage d'huile	ST083800AV	ST083800AV	ST083800AV	ST083800AV	1
24	Assemblage de compression	ST018300AV	ST018300AV	ST018300AV	ST018300AV	1
25	Vis autoforeuse	ST016500AV	ST016500AV	ST016500AV	ST016500AV	4
26	Courroie	BT020400AV	BT020400AV	BT020400AV	BT020400AV	1
27	Volant	PU015900AV	PU015900AV	PU015900AV	PU015900AV	1
28	Clavette	KE000900AV	KE000900AV	KE000900AV	KE000900AV	1
29	Vis de pression	ST026200AV	ST026200AV	ST026200AV	ST026200AV	1
30	Poulie	PU012600AV	PU012600AV	PU012600AV	PU012600AV	1
31	Vis de pression à tête carré	ST012200AV	ST012200AV	ST012200AV	ST012200AV	1
32	Protège-courroie de plastique (arrière)	BG217902AV	BG217902AV	BG217902AV	—	1
33	Vis	ST058502AV	ST058502AV	ST058502AV	—	1
34	Protège-courroie de plastique (avant)	BG217800AV	BG217800AV	BG217800AV	—	1
35	Vis autoforeuse	ST073269AV	ST073269AV	—	—	1
36	Vis autoforeuse	ST073277AV	ST073277AV	—	—	3
37	Filter de remplacement - diamètre de 2 po	WL012000AV	WL012000AV	WL012000AV	WL012000AV	1
	Filter de remplacement - diamètre de 3 po	ST073915AV	ST073915AV	ST073915AV	ST073915AV	1
	Filter de remplacement - diamètre de 4 po	ST073920AV	ST073920AV	ST073920AV	ST073920AV	1
38	Élément du filtre de remplacement - diamètre de 2 po	WL012300AV	WL012300AV	WL012300AV	WL012300AV	1
	Élément du filtre de remplacement - diamètre de 3 po	ST073916AV	ST073916AV	ST073916AV	ST073916AV	1
	Élément du filtre de remplacement - diamètre de 4 po	ST073921AV	ST073921AV	ST073921AV	ST073921AV	1
39	▲ Ensemble de décalcomanies d'avertissement générales	DK630000AV	DK630000AV	DK630000AV	DK630000AV	1
40	▲ Décalcomanie d'avertissement de déplacement et de montage	DK364601AV	DK364601AV	DK364601AV	DK364601AV	1
41	▲ Raccord de réduction de porte inspection 2 po x 3/4 po	PG201002AV	PG201002AV	PG201002AV	PG201002AV	1
	▲ Raccord de réduction de porte inspection 2 po x 1/4 po	PG201004AV	PG201004AV	PG201004AV	PG201004AV	1
42	▲ Vis de soulagement de fatigue	ST209800AV	ST209800AV	ST209800AV	ST209800AV	1
43	▲ Soulagement de fatigue	CW209700AV	CW209700AV	CW209700AV	CW209700AV	1
44	▲ Joint torique de porte de inspection	ST070190AV	ST070190AV	ST070190AV	ST070190AV	2
45	Montage du dispositif de protection de la courroie	—	—	BG218700AJ	—	1
46	▲ Cordon d'alimentation	EC012901AV	EC012901AV	EC012601AV	EC012901AV	1
47	Vis 1/4 po x 3/4 po	*	*	*	*	4
48	Contre-écrou 1/4 po	*	*	*	*	6
49	Panneau de commande	VT036000AJ	VT036000AJ	VT036000AJ	VT036000AJ	1
50	Tuyau de nylon de 9,5 mm (3/8 po)	ST117802AV	ST117802AV	ST117802AV	ST117802AV	1
51	Raccord enfoncé de 3/8 po	ST119704AV	ST119704AV	ST119704AV	ST119704AV	2
52	Râtelier à tuyau	WL024000AV	WL024000AV	WL024000AV	WL024000AV	1
53	Bouchon de plastique	ST073615AV	ST073615AV	ST073615AV	ST073615AV	1
54	Vis 1/4 po x 1-1/4 po	*	*	*	*	2
▲	Pas indiquée					
*	Article normal de quincaillerie					