

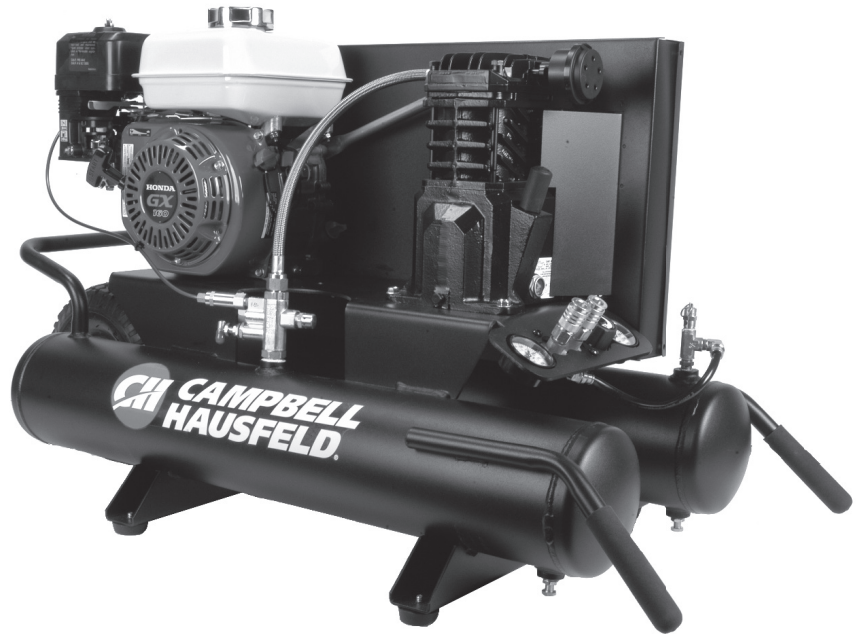
Wheelbarrow Air Compressor



Series CE2000

Table of Contents

- Introduction 1
- Unpacking 1
- Specifications 1
- Safety Guidelines 2
- Safety Symbols 2
- Important Safety Information 2
- Getting To Know Your Compressor 4
- Assembly 6
- Operation 6
- Maintenance 8
- Troubleshooting Guide 10
- Replacement Parts 12
- Limited Warranty 16



Introduction

The Campbell Hausfeld CE2000 is a Honda engine-driven air compressor with a cast iron, oil-lubricated pump. It is designed for use on jobsites or other locations where electric power is not available.

Unpacking

1. Remove the air compressor from the carton.
2. Place the compressor on a secure, stationary work surface and look it over carefully.

⚠ WARNING *Do not operate unit if damaged during shipping, handling or use. Damage may result in bursting and cause injury or property damage.*

⚠ WARNING *For your own safety, never operate unit until all assembly steps are complete and until you have read and understood the entire operator's manual.*

⚠ WARNING *To reduce the risk of injury, if any parts are missing, do not attempt to assemble the air compressor until the missing parts are obtained and installed correctly.*

Quick Reference

RECOMMENDED OIL (2 OPTIONS)	
Single viscosity SAE 30 ISO100 nondetergent compressor oil. Available from Campbell Hausfeld, part number ST126701AV.	
5W30 or 10W30 full synthetic oil	

SPECIFICATIONS	
Oil Capacity	8.5 oz.
Engine	Honda GX160
Pump	Cast Iron, Two Cylinder
Tank	8 Gallons
Air Delivery	11.5 CFM @ 40 psi 10.2 CFM @ 90 psi
Max Pressure	150 psi

RETAIN THIS INFORMATION FOR FUTURE REFERENCE

Serial Number:
Model Number:
Date of Purchase:

Safety Guidelines

This manual contains information that is very important to know and understand. This information is provided for SAFETY and to PREVENT EQUIPMENT PROBLEMS. To help recognize this information, observe the following symbols.

▲ DANGER Danger indicates an imminently hazardous situation which, if not avoided, WILL result in death or serious injury.

▲ WARNING Warning indicates a potentially hazardous situation which, if not avoided, COULD result in death or serious injury.

▲ CAUTION Caution indicates a potentially hazardous situation which, if not avoided, MAY result in minor or moderate injury.

NOTICE Notice indicates important information, that if not followed, may cause damage to equipment.

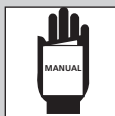
IMPORTANT: Information that requires special attention.

Safety Symbols

The following Safety Symbols appear throughout this manual to alert you to important safety hazards and precautions.



Wear Eye and Mask Protection



Read Manual First



Risk of Fire



Risk of Moving Parts



Risk of Hot Parts



Risk of Explosion



Risk of Fumes



Risk of Pressure



Risk of Electrocutation

Please read and save these instructions. Read carefully before attempting to assemble, install, operate or maintain the product described. Protect yourself and others by observing all safety information. Failure to comply with instructions could result in personal injury and/or property damage! Retain instructions for future reference.

Important Safety Information

This manual contains important safety, operational and maintenance information. If you have any questions, please call 1-800-543-6400 for customer assistance.

Since the air compressor and other components (material pump, spray guns, filters, lubricators, hoses, etc.) used make up a high pressure pumping system, the following safety precautions must be observed at all times:

CALIFORNIA PROPOSITION 65

▲ WARNING This product or its power cord may contain chemicals known to the State of California to cause cancer and birth defects or other reproductive harm. Wash hands after handling.

▲ WARNING You can create dust when you cut, sand, drill or grind materials such as wood, paint, metal, concrete, cement, or other masonry. This dust often contains chemicals known to cause cancer, birth defects, or other reproductive harm. Wear protective gear.



▲ DANGER

Breathable Air Warning

This compressor/pump is not equipped and should not be used “as is” to supply breathing quality air. For any application of air for human consumption, the air compressor/pump will need to be fitted with suitable in-line safety and alarm equipment. This additional equipment is necessary to properly filter and purify the air to meet minimal specifications for Grade D breathing as described in Compressed Gas Association Commodity Specification G 7.1, OSHA 29 CFR 1910.134, and/or Canadian Standards Associations (CSA).

DISCLAIMER OF WARRANTIES

In the event the compressor is used for the purpose of breathing air application and proper in-line safety and alarm equipment is not simultaneously used, existing warranties shall be voided, and Campbell Hausfeld disclaims any liability whatsoever for any loss, personal injury or damage.

GENERAL SAFETY

- ◆ Read all manuals included with this product carefully. Be thoroughly familiar with the controls and the proper use of the equipment.
- ◆ Follow all local electrical and safety codes as well as the United States National Electrical Codes (NEC) and Occupational Safety and Health Act (OSHA).
- ◆ Only persons well acquainted with these rules of safe operation should be allowed to use the compressor.
- ◆ Keep visitors away and NEVER allow children in the work area.
- ◆ Wear safety glasses (meeting ANSI Z87.1 or in Canada CSA Z94.3-99) and use hearing protection when operating the unit.
- ◆ Do not stand on or use the unit as a handhold.
- ◆ Before each use, inspect compressed air system and electrical components for signs of damage, deterioration, weakness or leakage. Repair or replace defective items before using.



Important Safety Information (Continued)

- ◆ Check all fasteners at frequent intervals for proper tightness.

▲ WARNING Motors, electrical equipment and controls can cause electrical arcs that will ignite a flammable gas or vapor. Never operate or repair in or near a flammable gas or vapor. Never store flammable liquids or gases in the vicinity of the compressor.



▲ WARNING Never operate compressor without a beltguard. This unit can start automatically without warning. Personal injury or property damage could occur from contact with moving parts.



- ◆ Do not wear loose clothing or jewelry that will get caught in the moving parts of the unit.

▲ CAUTION Compressor parts may be hot even if the unit is stopped.



- ◆ Keep fingers away from a running compressor; fast moving and hot parts will cause injury and/or burns.
- ◆ If the equipment should start to vibrate abnormally, STOP the engine/motor and check immediately for the cause. Vibration is generally an indication of trouble.
- ◆ To reduce fire hazard, keep engine/motor exterior free of oil, solvent, or excessive grease.

▲ WARNING An ASME code safety relief valve with a setting no higher than the Maximum Allowable Working Pressure (MAWP) of the tank MUST be installed in the air lines or in the tank for this compressor. The ASME safety valve must have sufficient flow and pressure ratings to protect the pressurized components from bursting. The flow rating can be found in the parts manual. The safety valve in the intercooler does not provide system protection.

▲ WARNING Maximum operating pressure is 175 psi for two-stage compressors. Do not operate with pressure switch or pilot valves set higher than 175 psi (two-stage).

- ◆ Never attempt to adjust ASME safety valve. Keep safety valve free from paint and other accumulations.

▲ WARNING Never attempt to repair or modify a tank! Welding, drilling or any other modification will weaken the tank resulting in damage from rupture or explosion. Always replace worn, cracked or damaged tanks.



NOTICE

Drain liquid from tank daily.

- ◆ Tanks rust from moisture build-up, which weakens the tank. Make sure to drain tank regularly and inspect periodically for unsafe conditions such as rust formation and corrosion.
- ◆ Fast moving air will stir up dust and debris which may be harmful. Release air slowly when draining moisture or depressurizing the compressor system.
- ◆ Check fuel level before starting the engine. Do not fill the gas tank indoors. Wipe off any spilled gas before starting the engine.

▲ WARNING NEVER refuel a running or hot engine. Explosive fuel can cause fires and severe burns. Avoid overfilling fuel tank.

▲ DANGER Gasoline vapor is highly flammable. Refill outdoors or only in well ventilated areas. Do not store, spill or use gasoline near an open flame or heat devices such as a stove, furnace, or water heater, which utilize a pilot light, or any device that can create a spark. If gasoline is accidentally spilled, move unit away from the spill area and avoid creating any source of ignition until gasoline vapors have dissipated.

▲ WARNING Motors, electrical equipment and controls can cause electrical arcs that will ignite a flammable gas or vapor. Never operate or repair in or near a flammable gas or vapor. Never store flammable liquids or gases in the vicinity of the compressor.

▲ WARNING Carbon monoxide can cause severe nausea, fainting or death. Do not operate unit inside a closed building or a poorly ventilated area.

▲ WARNING Never remove or attempt to adjust safety valve. Keep safety valve free from paint and other accumulations.

- ◆ Do not tamper with governor setting on engine. Overspeeding the unit severely shortens engine life and may also be very hazardous.

SPRAYING PRECAUTIONS

▲ WARNING Do not spray flammable materials in vicinity of open flame or near ignition sources including the compressor unit.



- ◆ Do not smoke when spraying paint, insecticides, or other flammable substances.
- ◆ Use a face mask/respirator when spraying and spray in a well ventilated area to prevent health and fire hazards.
- ◆ Do not direct paint or other sprayed material at the compressor. Locate compressor as far away from the spraying area as possible to minimize overspray accumulation on the compressor.
- ◆ When spraying or cleaning with solvents or toxic chemicals, follow the instructions provided by the chemical manufacturer.



SAVE THESE INSTRUCTIONS DO NOT DISCARD

The **DANGER, WARNING, CAUTION,** and **NOTICE** notifications and instructions in this manual cannot cover all possible conditions and situations that may occur. It must be understood by the operator that caution is a factor which cannot be built into this product, but must be supplied by the operator.

Getting To Know Your Compressor

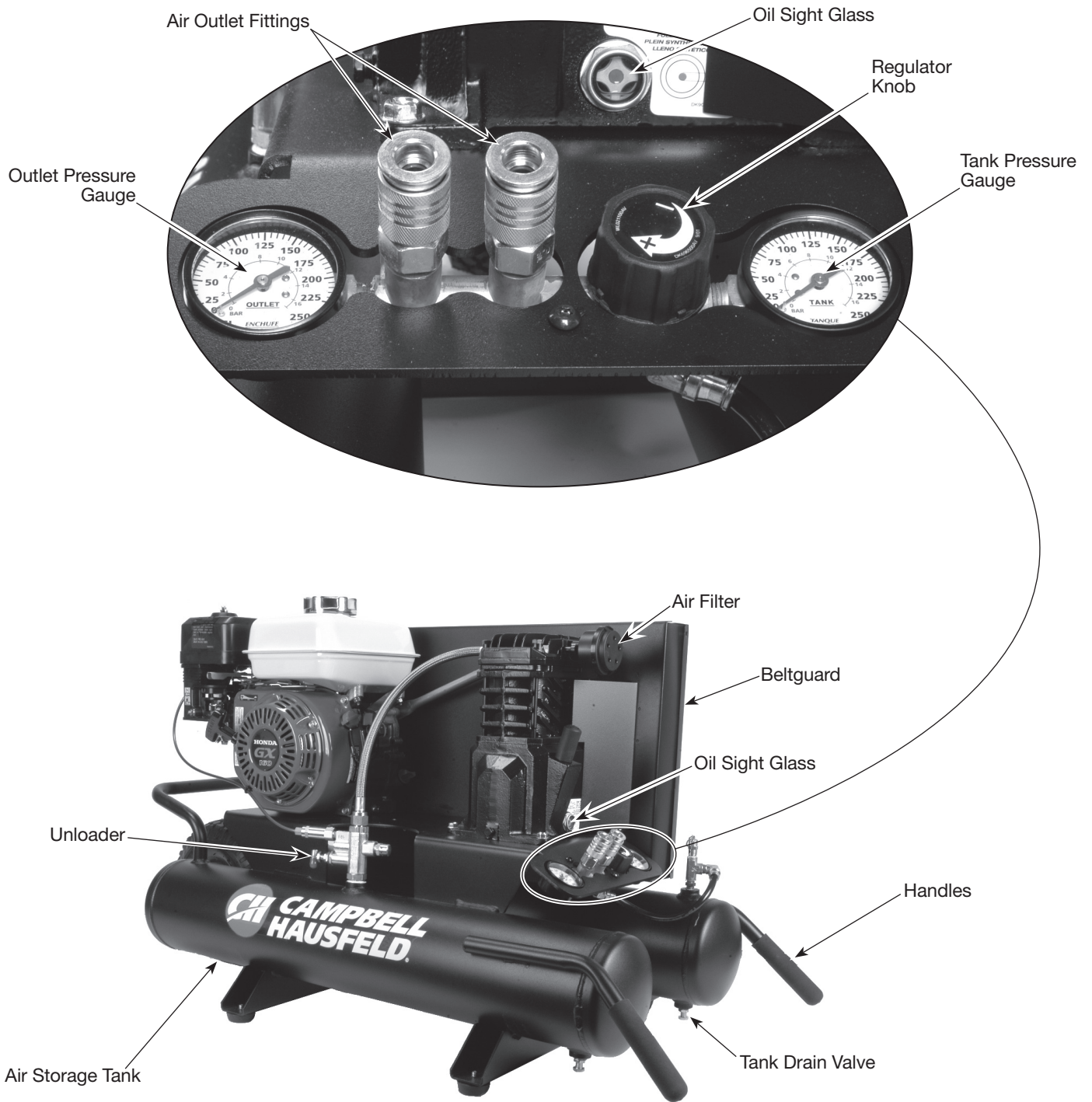


Figure 1

Getting To Know Your Compressor (Continued)

GLOSSARY OF TERMS

ASME Safety Valve: A safety valve that automatically releases the air if the air receiver (tank) pressure exceeds the preset maximum.

Regulator Knob: This knob controls air pressure to an air operated tool or paint spray gun. Turning the knob clockwise increases air pressure at the outlet. Turning counterclockwise will lower air pressure at the outlet. Fully counterclockwise will shut off the flow of air completely.

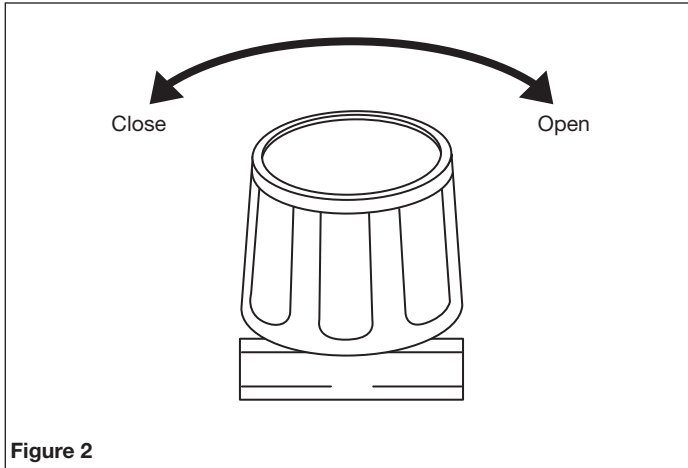


Figure 2

Tank Pressure Gauge: Indicates tank pressure in psi. Gauge shows pressure in air receiver indicating compressor is building pressure properly.

Outlet Pressure Gauge: This gauge shows at-a-glance, air pressure at outlet. Air pressure is measured in pounds per square inch (PSI). Most tools have maximum pressure ratings. Never exceed the maximum pressure rating of the tool you are using. Be sure this gauge reads ZERO before changing air tools or disconnecting hose from outlet. It is regulated by the regulator knob.

Cut-in/Cut-off Pressure: Specific psi at which a compressor starts and stops while refilling the air tank.

Belt Guard: The belt guard encloses the pulleys and drive belt. It protects the user from moving parts and directs cooling air to the compressor pump.

Air Filter: The air filter keeps dirt and debris from entering the compressor pump and reduces compressor noise.

Oil Sight Glass: The oil sight glass shows the oil level in the compressor pump.

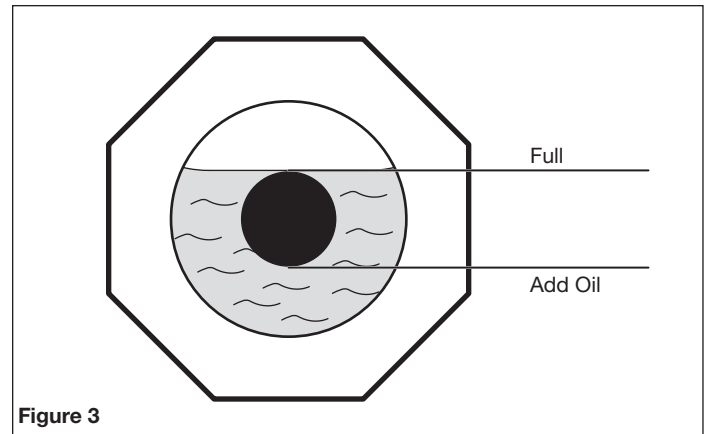


Figure 3

Handles: Used to move the compressor.

Tank Drain Valve: The tank drain valve allows moisture to be removed from the tank.

NOTE: Each tank has its own tank drain valve.

Unloader: The unloader controls the engine rpm. When loaded, the engine will run at maximum operating speed and air will enter the tank. When unloaded, the engine will slow to an idle and air will vent to atmosphere.

Air Storage Tanks: The tanks store air for later use.

Air Outlet Fittings: These fittings are 1/4 inch universal-style quick connect fittings and allow rapid tool changes.

PSI (Pounds per Square Inch): Measurement of the pressure exerted by the force of the air. The actual psi output is measured by a pressure gauge on the compressor.

SCFM (Standard Cubic Feet per Minute): Sometimes called CFM (Cubic Feet per Minute). Measurement of air volume delivered by the compressor.

Air Delivery: A combination of psi and SCFM. The air delivery required by a tool is stated as (number) SCFM at (number) psi. The combination of these figures determines what size unit is needed.

Air Tank Capacity: The volume of air stored in the tank and available for immediate use. A large tank allows the intermittent use of an air tool with an air requirement higher than the compressor's rated delivery.

Assembly

LUBRICATION

This compressor is shipped with oil.

Remove cap from oil fill opening. See Figure 4. Install breather (found in parts bag with this manual). See Figure 5. Check oil level. See specification label on compressor pump for the proper oil capacity and oil type.

Do not use regular automotive oil. Additives in regular motor oil can cause valve deposits and reduce pump life. For maximum pump life, drain and replace oil after the first hour of run time.

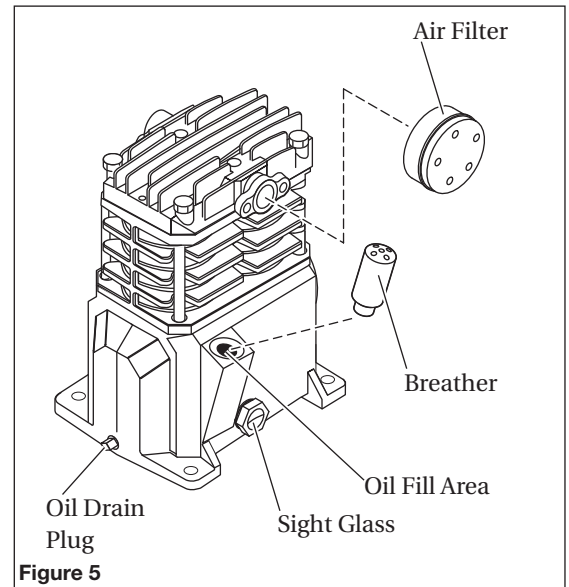
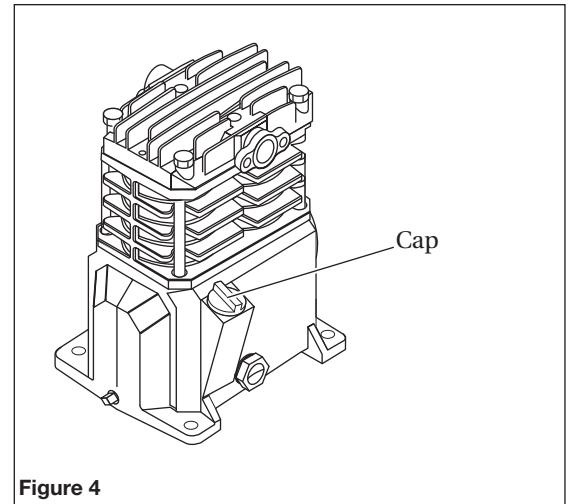
This pump has an oil sight glass as shown in Figure 5. Oil level can be monitored and maintained as shown in Figure 3, page 5.

Refer to engine manual for proper oil level and type.

Recommended Oil (2 Options)	
• Single viscosity SAE 30 ISO100 non-detergent compressor oil. Available from Campbell Hausfeld, part number ST126701AV.	
• 5W30 or 10W30 full synthetic oil	
Oil Capacity	
CE2000	8.5 oz.

AIR FILTER

Install air filter. See Figure 5.



Operation

NOTICE

Before starting the compressor, thoroughly read all component instruction manuals, especially the engine manual.

All lubricated compressor pumps discharge some condensed water and oil with the compressed air. Install appropriate water/oil removal equipment and controls as necessary for the intended application.

NOTICE

Failure to install appropriate water/oil removal equipment may result in damage to machinery or workpiece.

NOTICE

Drain liquid from tank daily.

CAUTION

Do not attach air tools to open end of the hose until start-up is completed and unit checks OK.

Operation (Continued)

START-UP

NOTICE

To ensure proper operation, unit must be on a level surface.

1. Fill engine with oil and gasoline per instructions furnished with engine.
2. Check oil sight glass to verify proper oil level.
3. Turn manual unloader lever up to a horizontal position to allow the compressor pump to run without compressing air.

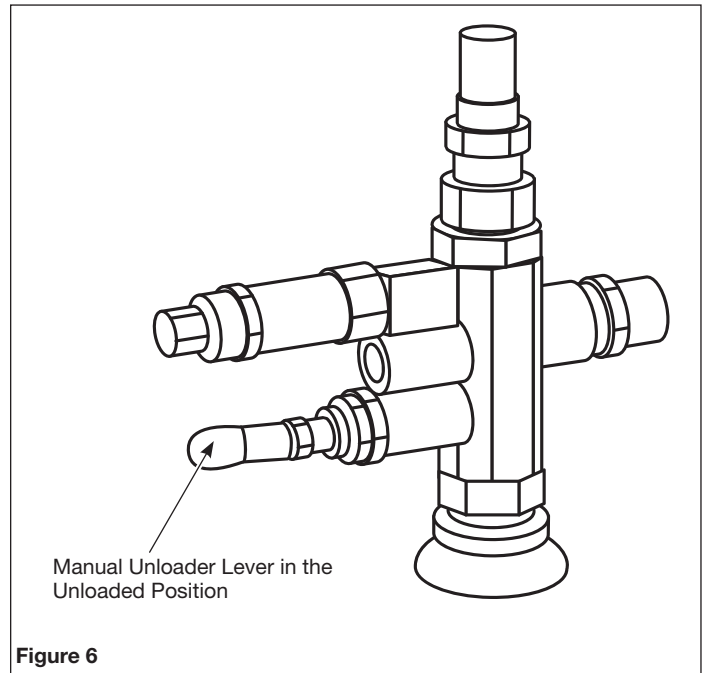


Figure 6

TO START GASOLINE ENGINE

1. Move the choke lever to the CHOKE position, turn the fuel lever ON, and turn the engine stop switch to the ON position.
2. Pull start grip lightly until resistance is felt, and then pull briskly.
3. As the engine warms up, gradually move the choke lever to the open position. See gas engine manual for more details.
4. Run the compressor unloaded for approximately 30 minutes to break in the pump.
5. After approximately 30 minutes, move the unloader lever down to the loaded position. The compressor will begin to pump air into the tank.

When maximum tank pressure is reached, the compressor automatically unloads, bringing the engine to idle. The engine remains at idle until tank pressure falls to a preset level. The engine then accelerates and the compressor pumps additional air into the tank.

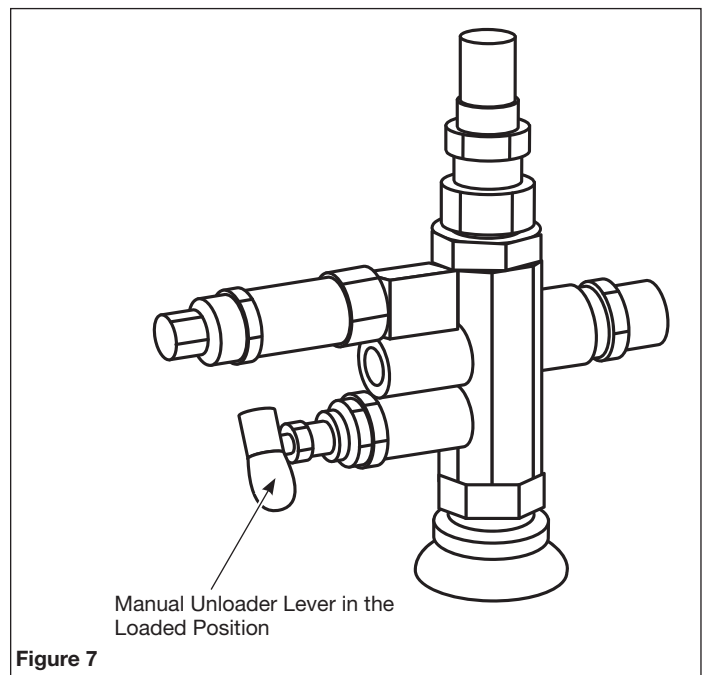


Figure 7

MOISTURE IN COMPRESSED AIR

Moisture in compressed air will form into droplets as it comes from an air compressor pump. When humidity is high or when a compressor is in continuous use for an extended period of time, this moisture will collect in the tank. When using a paint spray or sandblast gun, this water will be carried from the tank through the hose, and out of the gun as droplets mixed with the spray material.

IMPORTANT: This condensation will cause water spots in a paint job, especially when spraying other than water based paints. If sandblasting, it will cause the sand to cake and clog the gun, rendering it ineffective. A filter in the air line, located as near to the gun as possible, will help eliminate this moisture.

Maintenance

⚠ WARNING *Release all pressure from the system before attempting to install, service, relocate or perform any maintenance.*

⚠ DANGER *Do not attempt to tamper with the ASME safety valve!*

In order to maintain efficient operation of the compressor system, check the air filter weekly (per maintenance schedule), oil level and gasoline level before each use. The ASME safety valve should also be checked weekly. Pull ring on safety valve and allow the ring to snap back to normal position. This valve automatically releases air if the tank pressure exceeds the preset maximum. If air leaks after the ring has been released, or the valve is stuck and cannot be actuated by the ring, the ASME safety valve must be replaced.

With engine OFF, clean debris from engine, flywheel, tank, air lines and pump cooling fins.

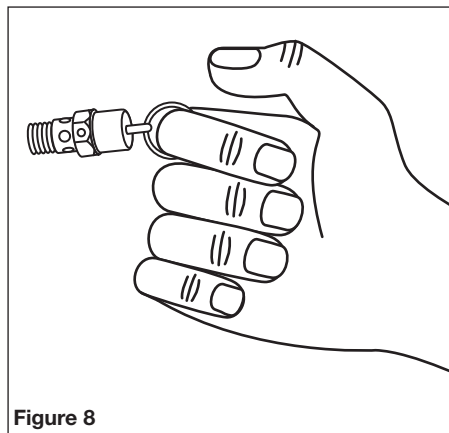


Figure 8

MAINTENANCE SCHEDULE

Operation	Daily	Weekly	Monthly	3 Months
Check Oil Level	●			
Drain Tank	●			
Check Air Filter		●		
Check Safety Valve		●		
Blow Dirt from Unit		●		
Check Belt Tightness			●	
Change Oil				●

TANK

⚠ DANGER *Never attempt to repair or modify a tank! Welding, drilling or any other modification will weaken the tank resulting in damage from rupture or explosion. Always replace worn, cracked or damaged tanks.*

NOTICE *Drain liquid from tank daily.*

The tanks should be carefully inspected at a minimum of once a year. Look for cracks forming near the welds. If a crack is detected, remove pressure from tank immediately and replace.

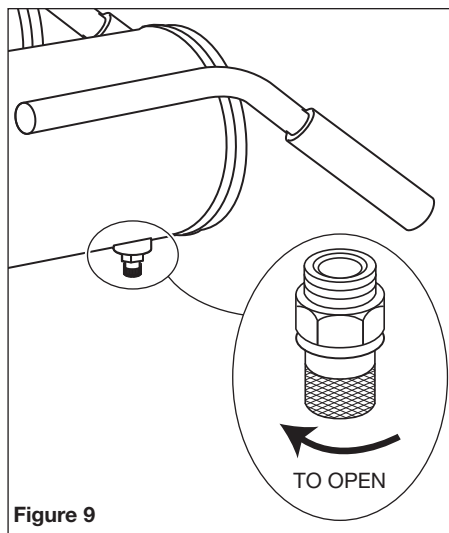


Figure 9

FILTER REMOVAL, INSPECTION AND REPLACEMENT

To change a filter, pull off the filter housing cover. If filter element is dirty, replace element or entire filter.

Maintenance (Continued)

DRIVE BELT

Belt stretch is a result of normal use. When properly adjusted, the belt deflects about 1/2 inch with five pounds of pressure applied midway between the engine pulley and pump.

To adjust drive belt tension:

1. Remove belt guard and loosen engine brace.
2. Loosen the four fasteners holding the engine to the baseplate.
3. Shift the engine in the proper direction. The belt must be properly aligned when adjustment is made.
4. To align belt, lay a straight edge against the face of the flywheel, touching the rim at two places.
5. Adjust flywheel or engine pulley so that the belt runs parallel to the straight edge.
6. Use a gear puller to move the pulley on the shaft and tighten fasteners.
7. Adjust brace and reinstall belt guard.

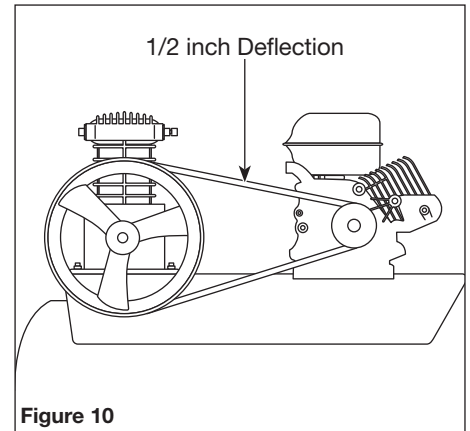


Figure 10

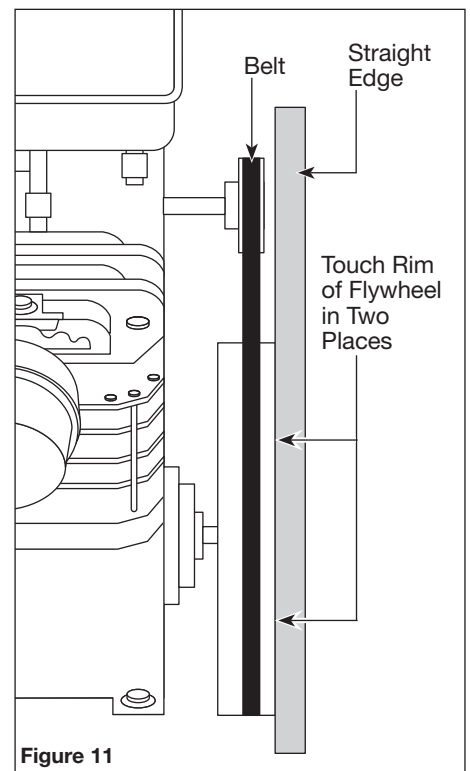


Figure 11

STORAGE

1. When not in use, hose and compressor should be stored in a cool, dry place.
2. Tanks should be drained of moisture.
3. Hose should be disconnected and hung with open ends down to allow any moisture to drain.

Troubleshooting Guide

SYMPTOM	CAUSE	SOLUTION
Low discharge pressure	1. Air leaks	1. Listen for escaping air. Apply soap solution to all fittings and connections. Bubbles will appear at points of leakage. Tighten or replace leaking fittings or connections.
	2. Leaking valves	2. Remove head and inspect for valve breakage, weak valves, scored valve seats, etc. Replace defective parts and reassemble.
	<div style="border: 1px solid black; padding: 2px; display: inline-block;">⚠ CAUTION</div> <i>Be sure that the old head gasket is replaced with a new one each time the head is removed.</i>	
	3. Restricted air intake	3. Clean the air filter element.
	4. Slipping belts	4. Loosen engine clamping bolts and move the engine in a direction away from the compressor, being sure that the engine pulley is perfectly aligned with the flywheel. Tighten engine clamping bolts. The belt should deflect about 1/2 inch under 5-lbs of force. Do not "roll" belts over pulleys.
	5. Blown gaskets	5. Replace any gaskets proven faulty on inspection.
Overheating	6. Low compression	6. Low pressure can be due to worn rings and cylinder walls. Correction is made by replacing the rings, cylinders, and pistons as required.
	1. Poor ventilation	1. Relocate the compressor to an area where an ample supply of cool, clean, dry and well-circulated air is available.
Excessive belt wear	2. Dirty cooling surfaces	2. Clean the cooling surfaces of pump and motor/engine.
	1. Pulley out of alignment	1. Realign engine pulley with compressor pulley.
Excessive noise (knocking)	2. Belt too loose or too tight	2. Adjust tension (See Drive Belt Section).
	3. Belt slipping	3. Adjust tension or replace belt (See Drive Belt Section).
	4. Pulley wobbles	4. Check for worn crankshaft, keyway or pulley bore resulting from running the compressor or motor with loose pulleys. Check for bent pulleys or bent crankshaft.
	1. Low engine idle	1. Increase idle, refer to engine manual for details.
Unit stalls	2. Improper lubrication	2. See Lubrication Section.
	3. Low oil level	3. Check oil level. Fill if necessary.
	4. Defective unloader valve	4. Replace.
	1. Loose engine or compressor pulley	1. Loose engine or compressor pulleys are a very common cause of compressors knocking. Tighten pulley clamp bolts and set-screws.
Excessive noise (knocking)	2. Lack of oil in crankcase	2. Check for proper oil level; if low, check for possible damage to bearings. Dirty oil can cause excessive wear.
	3. Worn connecting rod	3. Replace connecting rod.
	4. Worn piston pin bushing	4. Remove piston assemblies from the compressor and inspect for excess wear. Replace excessively worn piston pin or pistons, as required.
	5. Worn bearings	5. Replace worn bearings and change oil.
	6. Piston hitting the valve plate	6. Remove the compressor head and valve plate and inspect for carbon deposits or other foreign matter on top of piston. Replace head and valve plate using new gasket.
	7. Noisy check valve	7. Replace.

Troubleshooting Guide (Continued)

SYMPTOM	CAUSE	SOLUTION
Oil in the discharge air	<ol style="list-style-type: none">1. Worn piston rings2. Compressor air intake restricted3. Restricted breather4. Excessive oil in compressor5. Wrong oil viscosity6. Connecting rod out of alignment	<ol style="list-style-type: none">1. Replace with new rings.2. Clean filter. Check for other restrictions in the intake system.3. Clean and check breather for free operation.4. Drain down to full level.5. Use SAE 30 (ISO 100) non-detergent compressor oil.6. Replace rod.

For Replacement Parts or Technical Assistance, Call 1-800-543-6400

Please provide following information:

- Model number
- Serial number (if any)
- Part description and number as shown in parts list

Address any correspondence to:

Campbell Hausfeld
Attn: Customer Service
100 Production Drive
Harrison, OH 45030 U.S.A.

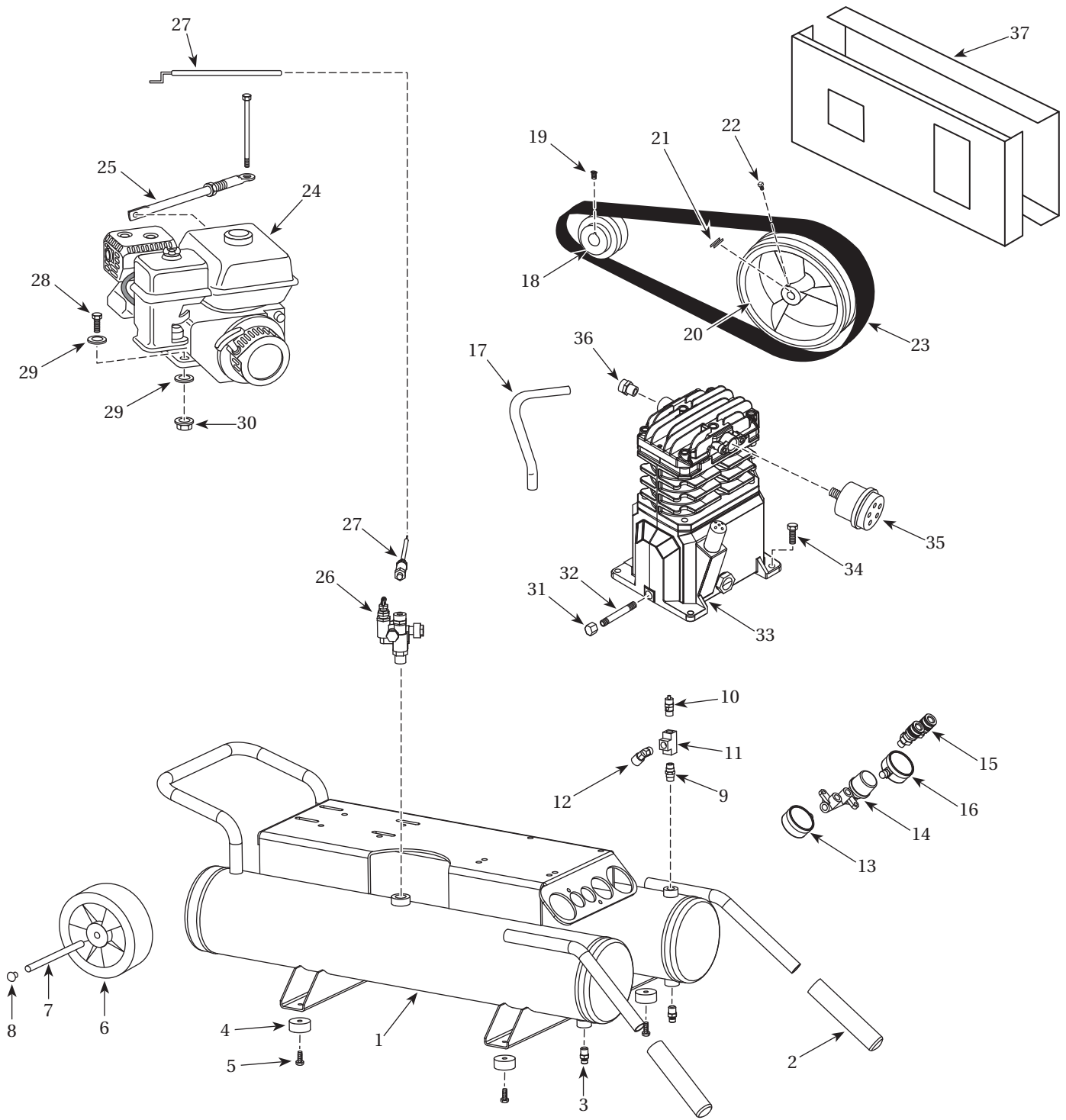


Figure 12 – Repair Parts Illustration for Model CE200000

Replacement Parts List

Reference Number	Description	Part Number	Qty.
1	Tank	AR052200CG	1
2	Handle grip	ST160000AV	2
3	Drain valve	D-1403	2
4	Rubber foot	ST158300AV	4
5	Screw	ST116400AV	4
6	10 inch Pneumatic wheel	WA005501AV	1
7	Axle rod	AA021800AV	1
8	Plug	ST073613AV	2
9	Nipple	HF002401AV	1
10	ASME Safety valve	V-215108AV	1
11	Tee fitting	ST183700AV	1
12	Elbow fitting	ST119704AV	2
13	Gauge, left	GA016705AV	1
14	Regulator	WL017600AV	1
15	Coupler	HF203300AV	2
16	Gauge, right	GA016709AV	1
17	Discharge tube	ST186600AV	1
18	Pulley	PU015400AV	1
19	Square head set screw	ST012200AV	1
20	Flywheel	PU015900AV	1
21	Key	Not Available	1
22	Setscrew	Not Available	1
23	Belt	BT023100AV	1
24	Engine	NG002502AV	1
25	Brace assembly	BG208800AJ	1
26	Throttle unloader	ST171400AV	1
27	Throttle control	CV006412AV	1
28	Hex head screw	ST070625AV	4
29	Washer	ST011200AV	8
30	Locknut	AL014000AV	4
31	Oil drain cap	ST150100AV	1
32	Oil drain extension	ST083800AV	1
33	Pump	VT470000AV	1
34	Screw	ST070827AV	4
35	Filter assembly	WL026100AV	1
36	Compression assembly	ST159001AJ	1
37	Belt guard assembly	BG220200AJ	1

For Replacement Parts or Technical Assistance, Call 1-800-543-6400

Please provide following information:

- Model number
- Serial number (if any)
- Part description and number as shown in parts list

Address any correspondence to:

Campbell Hausfeld
Attn: Customer Service
100 Production Drive
Harrison, OH 45030 U.S.A.

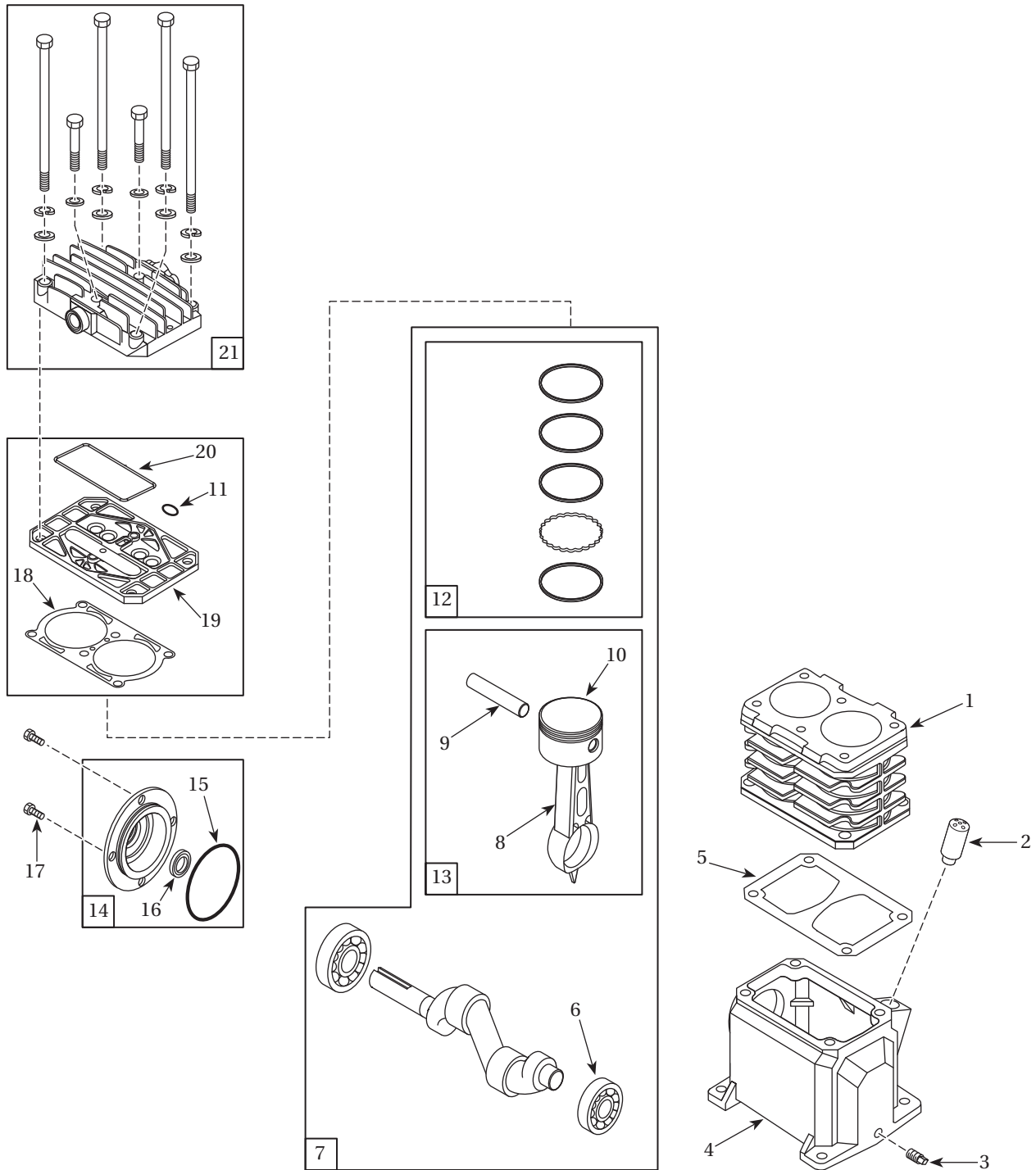


Figure 13 – Repair Parts Illustration for Pump

Replacement Parts List

Reference Number	Description	Part Number	Qty.
1	Cylinder	VT040915AV	1
2	Breather	VH901100AV	1
3	1/8 inch NPT oil drain plug	ST022300AV	1
4	Crankcase	VT040300AG	1
5	Crankcase gasket	▲	1
6	Ball bearing	ST084202AV	2
7	Crankshaft assembly	VT040650AJ	1
8	Connecting rod	VT040100AG	2
9	Piston pin	VS001400AV	2
10	Piston	TQ011900AG	2
11	O-ring	VT036700AV	1
12	Piston ring set	VT911200AV	1
13	Connecting rod and piston assembly	VT042900AV	1
14	Bearing cap assembly	VT040200AJ	1
15	O-ring	▲	1
16	Oil seal	ST129700AV ▲	1
17	M6-1.00 x 10 cap screw	—	4
18	Cylinder gasket	▲	1
19	Valve plate assembly	VT491100AV	1
20	Valve plate gasket	▲	1
21	Cylinder head and fasteners	TQ900800AJ	1
22 *	Sight Glass with o-ring	ST191700AV	1
REPLACEMENT PARTS KITS			
▲	Gasket kit	VT470900AJ	1
*	Item not shown		

Reminder: *Keep your dated proof of purchase for warranty purposes! Attach it to this manual or file it for safekeeping.*

Limited Warranty

1. DURATION: From the date of purchase by the original purchaser as follows: Three (3) Year.
2. WHO GIVES THIS WARRANTY (WARRANTOR):
Campbell Hausfeld / Scott Fetzer Company, 100 Production Drive, Harrison, Ohio, 45030, Telephone: (800) 543-6400.
3. WHO RECEIVES THIS WARRANTY (PURCHASER): The original purchaser (other than for purposes of resale) of the Campbell Hausfeld compressor.
4. WHAT PRODUCT IS COVERED BY THIS WARRANTY: This CE2000 air compressor.
5. WHAT IS COVERED UNDER THIS WARRANTY: Substantial defects due to material and workmanship with the exceptions noted below.
6. WHAT IS NOT COVERED UNDER THIS WARRANTY:
 - A. Implied warranties, including those of merchantability and FITNESS FOR A PARTICULAR PURPOSE ARE LIMITED FROM THE DATE OF ORIGINAL PURCHASE AS STATED IN THE DURATION. Some States do not allow limitations on how long an implied warranty lasts, so the above limitations may not apply to you.
 - B. ANY INCIDENTAL, INDIRECT, OR CONSEQUENTIAL LOSS, DAMAGE, OR EXPENSE THAT MAY RESULT FROM ANY DEFECT, FAILURE, OR MALFUNCTION OF THE CAMPBELL HAUSFELD PRODUCT. Some States do not allow the exclusion or limitations of incidental or consequential damages, so the above limitation or exclusion may not apply to you.
 - C. Any failure that results from an accident, purchaser's abuse, neglect or failure to operate products in accordance with instructions provided in the owner's manual(s) supplied with compressor.
 - D. Pre-delivery service, e.g. assembly, oil or lubricants, and adjustment.
 - E. Items or service that are normally required to maintain the product, e.g. lubricants, filters and gaskets, etc.
 - F. Gasoline engines and components are expressly excluded from coverage under this limited warranty. The Purchaser must comply with the warranty given by the engine manufacturer which is supplied with the product.
 - G. Additional items not covered under this warranty:
 1. All Compressors
 - a. Any component damaged in shipment or any failure caused by installing or operating unit under conditions not in accordance with installation and operation guidelines or damaged by contact with tools or surroundings.
 - b. Pump or valve failure caused by rain, excessive humidity, corrosive environments or other contaminants.
 - c. Cosmetic defects that do not interfere with compressor functionality.
 - d. Rusted tanks, including but not limited to rust due to improper drainage or corrosive environments.
 - e. Electric motors, check valves and pressure switches.
 - f. Drain cocks.
 - g. Damage due to incorrect voltage or improper wiring.
 - h. Other items not listed but considered general wear parts.
 - i. Pressure switches, air governors and safety valves modified from factory settings.
 2. Lubricated Compressors
 - a. Pump wear or valve damage caused by using oil not specified.
 - b. Pump wear or valve damage caused by any oil contamination or by failure to follow proper oil maintenance guidelines.
 3. Belt Drive / Direct Drive / Gas Driven Compressors
 - a. Belts.
 - b. Ring wear or valve damage from inadequate filter maintenance.
 - c. Manually adjusted load/unload and throttle control devices.
7. RESPONSIBILITIES OF WARRANTOR UNDER THIS WARRANTY: Repair or replace, at Warrantor's option, compressor or component which is defective, has malfunctioned and/or failed to conform within the duration of the specific warranty period.
8. RESPONSIBILITIES OF PURCHASER UNDER THIS WARRANTY:
 - A. Provide dated proof of purchase and maintenance records.
 - B. Portable compressors or components must be delivered or shipped to the nearest Campbell Hausfeld Authorized Service Center. Freight costs, if any, must be borne by the purchaser.
 - C. Use reasonable care in the operation and maintenance of the products as described in the owner's manual(s).
9. WHEN WARRANTOR WILL PERFORM REPAIR OR REPLACEMENT UNDER THIS WARRANTY: Repair or replacement will be scheduled and serviced according to the normal work flow at the servicing location, and depending on the availability of replacement parts.

This Limited Warranty applies in the U.S., Canada and Mexico only and gives you specific legal rights. You may also have other rights which vary from State to State or country to country.

Compresseur d'Air Style Brouette



Série CE2000

Table des Matières

Introduction1
 Déballage.....1
 Spécifications.....1
 Directives de sécurité.....2
 Symboles de sécurité.....2
 Information importante de sécurité....2
 Apprendre à connaître
 votre compresseur.....4
 Montage.....6
 Fonctionnement.....6
 Entretien.....8
 Guide de dépannage.....10
 Liste de pièces de rechange.....12
 Garantie limitée.....16

Introduction

Le modèle CE2000 de Campbell Hausfeld est un compresseur à air équipé avec un moteur Honda et une pompe en fonte lubrifiée à l'huile. Il est conçu pour travailler dans le chantier ou d'autres sites qui ne disposent pas d'électricité.

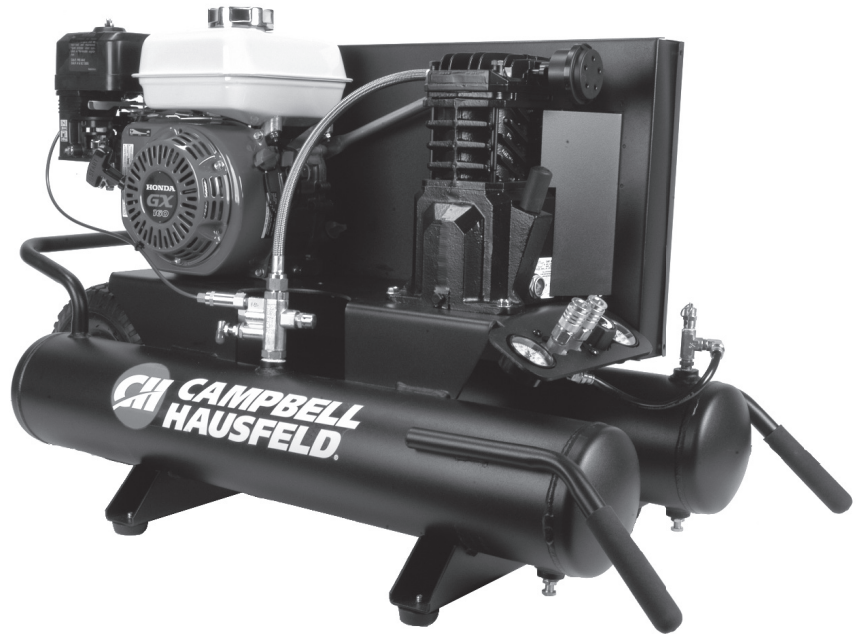
Déballage

1. Retirer le compresseur d'air du carton.
2. Placer le compresseur sur une surface de travail fixe, sécurisée et vérifier attentivement.

⚠ AVERTISSEMENT *Ne pas faire fonctionner l'appareil s'il est endommagé pendant l'expédition, la manipulation ou l'utilisation. Des dommages peuvent mener à l'éclatement et provoquer des blessures ou des dommages à la propriété.*

⚠ AVERTISSEMENT *Pour votre propre sécurité, ne jamais faire fonctionner l'appareil avant de terminer toutes les étapes d'assemblage et d'avoir lu et compris tout le manuel de l'opérateur.*

⚠ AVERTISSEMENT *Pour réduire les risques de blessure, s'ils manquent des pièces, ne pas essayer d'assembler le compresseur d'air avant d'avoir obtenu les pièces manquantes et de les avoir installées.*



Référence rapide

HUILE RECOMMANDÉE (2 OPTIONS)

Huile de compresseur sans détergent à viscosité simple, SAE 30 ISO.
 Disponible de Campbell Hausfeld, numéro de pièce ST126701AV.

Huile complètement synthétique 5W30 ou 10W30

SPÉCIFICATIONS

Capacité d'Huile	0,25 L (8,5 oz.)
Moteur	Honda GX160
Pompe	Fonte, deux cylindres
Réservoir	30,28 L (8 Gallons)
Soufflage d'air	0,33 m ³ /min à 276 kPa (40 psi) 0,29 m ³ /min à 621 kPa (90 psi)
Pression maximum	1 034 kPa (150 psi)

CONSERVER CETTE INFORMATION A TITRE DE REFERENCE

Numéro de Série :

Numéro de Modèle :

Date d'Achat :

Directives De Sécurité

Ce manuel contient de l'information très importante qui est fournie pour la SÉCURITÉ et pour ÉVITER LES PROBLÈMES D'ÉQUIPEMENT. Rechercher les symboles suivants pour cette information.

▲ DANGER Danger indique une situation dangereuse imminente qui MÈNERA à la mort ou à des blessures graves si elle n'est pas évitée.

▲ AVERTISSEMENT Avertissement indique une situation potentiellement dangereuse qui, si elle n'est pas évitée, POURRAIT mener à la mort ou à de graves blessures.

▲ ATTENTION Attention indique une situation potentiellement dangereuse qui, si elle n'est pas évitée, PEUT mener à des blessures mineures ou modérées.

AVIS Avis indique de l'information importante qui pourrait endommager l'équipement si elle n'est pas respectée.

IMPORTANT : Information qui exige une attention spéciale.

Symboles De Sécurité

Les symboles de sécurité suivants apparaissent dans l'ensemble de ce manuel pour vous aviser des dangers et précautions importants de sécurité.



Porter une protection oculaire et un masque



Lire le manuel d'abord



Risque d'incendie



Risque de pièces mobiles



Risque de pièces chaudes



Risque d'explosion



Risques de fumées



Risque de pression



Risque de choc

S'il vous plaît lire et conserver ces instructions. Lire attentivement avant de monter, installer, utiliser ou de procéder à l'entretien du produit décrit. Se protéger ainsi que les autres en observant toutes les instructions de sécurité, sinon, il y a risque de blessure et/ou dégâts matériels! Conserver ces instructions comme référence.

Importantes Instructions De Sécurité

Ce manuel contient des informations concernant la sécurité, le fonctionnement et l'entretien. Si vous avez des questions, appeler le 1-800-543-6400 pour le service à la clientèle.

Puisque le compresseur d'air et les autres pièces détachées (pompe, pistolets, filtres, graisseurs, tuyaux, etc.) font partie d'un système de haute pression, il est nécessaire de suivre les précautions suivantes:

PROPOSITION 65 DE CALIFORNIE

▲ AVERTISSEMENT Ce produit ou son cordon peuvent contenir des produits chimiques qui, de l'avis de l'État de Californie, causent le cancer et des anomalies congénitales ou autres problèmes de reproduction. Lavez-vous les mains après la manipulation.

▲ AVERTISSEMENT Vous pouvez créer de la poussière en coupant, ponçant, perçant ou meulant les matériaux tels que le bois, la peinture, le métal, le béton, le ciment ou autre maçonnerie. Cette poussière contient souvent des produits chimiques reconnus pour causer le cancer, les déformations congénitales



▲ DANGER

Avertissement d'Air Respirable

Ce compresseur/pompe n'est pas équipé pour et ne devrait pas être utilisé "comme soi" pour fournir de l'air respirable. Pour les applications d'air pour la consommation humaine, il est nécessaire d'équiper le compresseur d'air/pompe avec de l'équipement de sécurité en canalisation et d'alarme. Cet équipement additionnel est nécessaire pour filtrer et purifier l'air afin d'atteindre les spécifications minimales pour la respiration Grade D décrite dans le Compressed Gas Association Commodity Specification G 7.1, OSHA 29 CFR 1910. 134, and/or Canadian Standards Associations (CSA).

DÉNÉGATION DES GARANTIES

Si le compresseur est utilisé pour les applications d'air respirable et l'équipement de sécurité en canalisation et d'alarme n'est pas utilisé simultanément, les garanties en existence seront annulées, et Campbell Hausfeld dénie toute responsabilité pour n'importe quelle perte, blessure ou dommage.

GÉNÉRALITÉS SUR LA SÉCURITÉ

- ◆ Lire attentivement tous manuels compris avec ce produit. Bien se familiariser avec les commandes et l'utilisation correcte de l'équipement.
- ◆ Suivre tous les codes d'électricité et de sécurité locaux ainsi que: National Electrical Codes (NEC) et Occupational Safety and Health Act (OSHA) des É.-U.
- ◆ Seules les personnes bien familiarisées avec ces règles d'utilisation doivent être autorisées à se servir du compresseur.
- ◆ Garder les visiteurs à l'écart de/et NE JAMAIS permettre les enfants dans l'endroit de travail.
- ◆ Utiliser des lunettes de sécurité (répondant à la norme ANSI Z87.1 ou au Canada CSA Z94.3-99) et la protection auditive pendant l'utilisation du modèle.
- ◆ Ne pas se tenir debout sur/ou utiliser le modèle comme une prise.
- ◆ Inspecter le système d'air comprimé et pièces détachées électriques pour toute indication de dommage, détérioration, faiblesse ou fuites avant chaque utilisation. Réparer ou remplacer toutes pièces défectueuses avant l'utilisation.
- ◆ Inspecter le degré de serrage de toutes attaches par intervalles régulières.



Importantes Instructions De Sécurité (Suite)

AVERTISSEMENT Les moteurs, l'équipement et les commandes électriques peuvent causer des arcs électriques qui peuvent allumer un gaz ou une vapeur inflammable. Ne jamais utiliser ou réparer le modèle près d'un gaz ou d'une vapeur inflammable. Ne jamais entreposer les liquides ou gaz inflammables près du compresseur.



AVERTISSEMENT Ne jamais utiliser un compresseur sans carter de courroie. Ce modèle peut se démarrer sans avis. Le contact avec les pièces mobiles peut causer des blessures personnelles ou dégâts matériels.



- ◆ Ne pas porter les vêtements flottants ni la bijouterie qui peuvent se prendre dans les pièces mobiles du modèle.

ATTENTION Les pièces du compresseur peuvent être chaudes même si le modèle n'est pas en marche.



- ◆ Garder les doigts à l'écart d'un compresseur qui est en marche; les pièces mobiles et chaudes peuvent causer des blessures et/ou brûlures.
- ◆ Si le compresseur vibre anormalement, ARRÊTER le moteur et l'inspecter immédiatement. La vibration est généralement une indication d'un problème.
- ◆ Pour réduire le risque d'incendie, garder l'extérieur du moteur libre d'huile, de solvant ou de graisse excessive.

AVERTISSEMENT Pour ce compresseur, c'est indispensable d'installer une soupape de décharge selon les normes de sûreté ASME avec un réglage non supérieur à la Pression Maximale de Service Permises (MAWP) sur la tuyauterie ou le réservoir. La soupape de sûreté ASME doit avoir une classification de débit et de pression suffisante afin de protéger les pièces détachées sous pression contre l'éclatement. La soupape de sûreté dans le refroidisseur ne fournit pas de protection pour le système.

AVERTISSEMENT La pression maximale de service est 1207 kPa pour les compresseurs à deux étages. Ne pas utiliser avec des manostats ou des soupapes qui sont réglés à plus que 1207 kPa (deux étages).

- ◆ Ne jamais essayer d'ajuster la soupape de sûreté ASME. Garder la soupape de sûreté libre de peinture et autres accumulations.

AVERTISSEMENT Ne jamais essayer de réparer ni de modifier un réservoir! Le soudage, le perçage ou autre modifications peuvent affaiblir le réservoir et peut résulter en dommage de rupture ou d'explosion. Toujours remplacer un réservoir usé, fendu ou endommagé.



AVIS

Purger le liquide du réservoir quotidiennement.

- ◆ L'accumulation d'humidité cause la rouille qui peut affaiblir le réservoir. Purger le réservoir quotidiennement et l'inspecter périodiquement pour la rouille et la corrosion ou autre dommage.
- ◆ L'air mouvante peut agiter la poussière et le débris qui peut être dangereux. Lâcher l'air lentement en purgeant l'humidité ou pendant la dépressurisation du système de compresseur.
- ◆ Vérifier le niveau de carburant avant de démarrer le moteur. Ne pas remplir le réservoir à essence à l'intérieur. Essuyer l'essence renversé avant de démarrer le moteur.

AVERTISSEMENT NE JAMAIS ajouter du carburant à un moteur qui est en marche ou chaud. Le carburant explosif peut causer l'incendie et des brûlures sévères. Ne pas trop remplir le réservoir de carburant.

DANGER La vapeur d'essence est très inflammable. Remplir à l'extérieur ou dans un endroit bien aéré. Ne pas entreposer, renverser ou utiliser l'essence près d'une flamme ou une source de chaleur telles qu'un poêle, four ou chauffe-eau utilisant une lampe-témoin qui peut causer une étincelle. Si vous renversez de l'essence, déplacer le compresseur à l'écart du renversement et ne pas créer de sources d'ignition tant que les vapeurs de l'essence ne se sont pas dissipées.

AVERTISSEMENT Les moteurs, l'équipement et les commandes électriques peuvent causer des arcs électriques qui peuvent allumer un gaz ou une vapeur inflammable. Ne jamais utiliser ou réparer le modèle près d'un gaz ou d'une vapeur inflammable. Ne jamais entreposer les liquides ou gaz inflammables près du compresseur.

AVERTISSEMENT Le monoxyde de carbone peut causer la nausée sévère, l'évanouissement ou la mort. Ne pas faire fonctionner dans un édifice enfermé ou un endroit de travail qui n'est pas bien aéré.

AVERTISSEMENT Ne jamais enlever ou trifouiller avec la soupape de sûreté. Garder la soupape de sûreté libre de peinture et autres accumulations.

- ◆ Ne pas trifouiller avec les ajustements du régulateur du moteur. Faire fonctionner le modèle trop rapidement raccourcira la durée du moteur et peut être très dangereux.

PRÉCAUTIONS DE PULVÉRISATION

AVERTISSEMENT Ne pas pulvériser les matériaux inflammables dans un endroit de flamme ouverte ni près d'une source d'ignition y compris le compresseur.



- ◆ Ne pas fumer pendant la pulvérisation de la peinture, d'insecticides ou autres matières inflammables.
- ◆ Utiliser un masque/respirateur pendant la pulvérisation et pulvériser dans un endroit bien aéré pour éviter le risque de blessures et d'incendie.
- ◆ Ne pas diriger la peinture ou autre matériel pulvérisé vers le compresseur. Situer le compresseur aussi loin que possible de l'endroit de pulvérisation pour réduire l'accumulation de surpulvérisation sur le compresseur.
- ◆ Suivre les instructions du fabricant pendant la pulvérisation ou le nettoyage avec des solvants ou produits chimiques toxiques.



CONSERVER CES INSTRUCTIONS NE LES JETEZ PAS

Les symboles **DANGER, AVERTISSEMENT, ATTENTION ET AVIS** ainsi que les instructions de ce manuel ne peuvent pas couvrir toutes les conditions et situations qui pourraient se produire. L'opérateur doit comprendre que les précautions sont des facteurs qui ne peuvent pas être inclus dans ce produit, mais doivent être fournis par l'opérateur.

Apprendre à connaître votre compresseur d'air

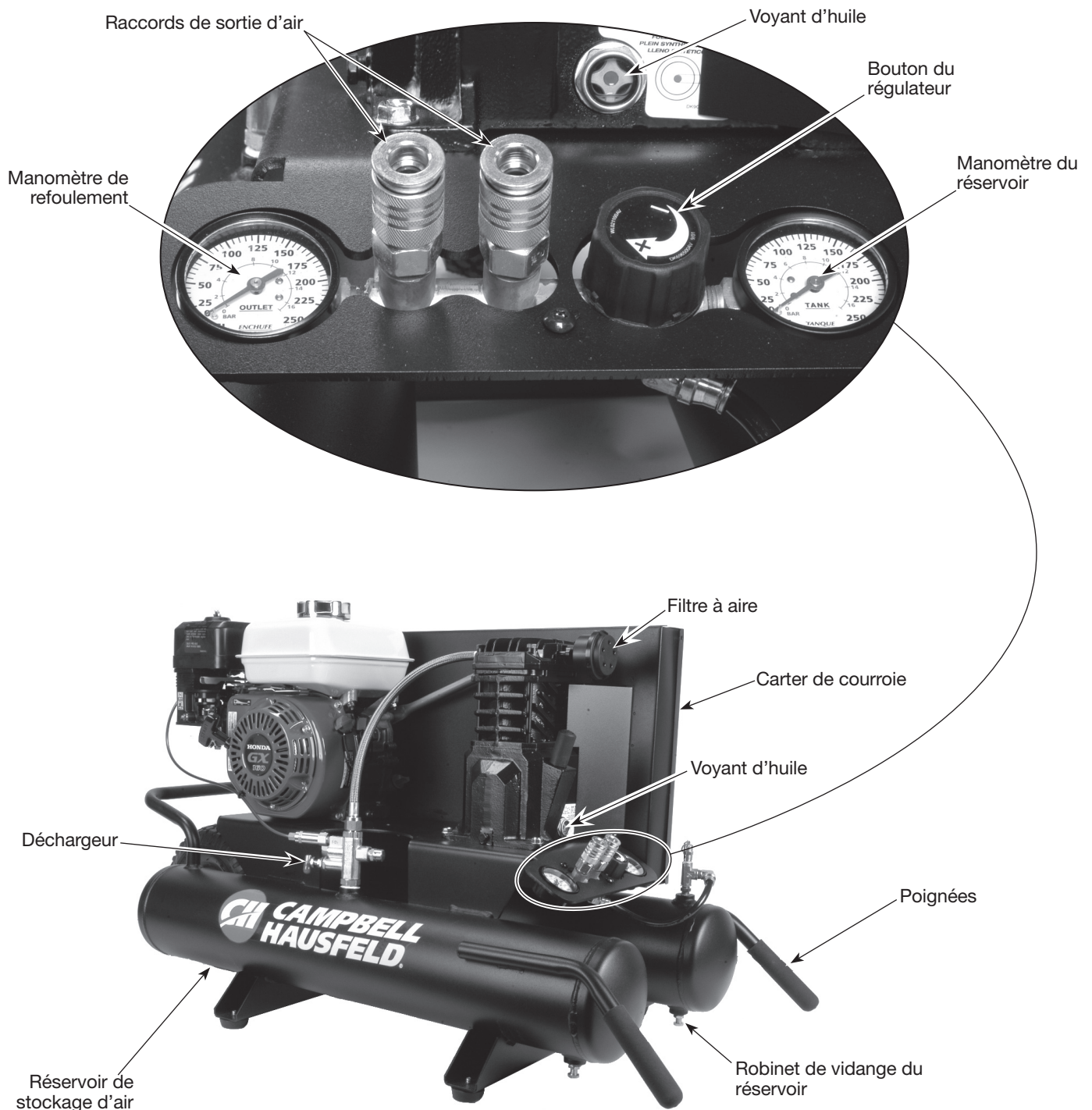


Figure 1

Apprendre à connaître votre compresseur d'air (Suite)

GLOSSAIRE DES TERMES

Soupape de sûreté ASME: Cette soupape relâche l'air automatiquement si la pression du réservoir dépasse la pression maximum réglé d'avance.

Bouton de régulateur: Ce bouton contrôle la pression d'air vers un outil pneumatique ou un pistolet de pulvérisation de peinture. Tourner le bouton dans le sens des aiguilles d'une montre augmente la pression d'air à la sortie. Tourner dans le sens contraire des aiguilles d'une montre réduit la pression d'air à la sortie. Tourner entièrement dans le sens contraire des aiguilles coupera entièrement le débit d'air.

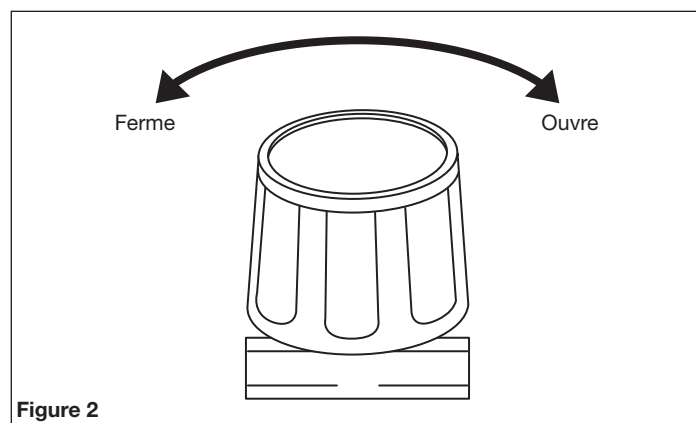


Figure 2

Manomètre du réservoir: Le manomètre indique la pression dans le réservoir ce qui indique que le compresseur fonctionne bien.

Manomètre de refoulement: Ce manomètre indique la pression d'air de sortie. La pression d'air est mesurée en kPa (livres par pouce carré - psi). La plupart des outils ont des capacités de pression maximum. Ne pas dépasser la capacité de pression maximum de l'outil utilisé. Assurer que le manomètre est à ZERO avant de changer les outils pneumatiques ou avant de débrancher le tuyau. Il est réglé par le bouton du régulateur.

Pression de fermeture/d'ouverture: Le kPa (psi) précis lorsque le compresseur démarre et s'arrête en remplissant le réservoir d'air.

Carter de courroie: Le dispositif de protection recouvre les poulies et la courroie d'alimentation. Il protège l'utilisateur des pièces mobiles et dirige l'air de refroidissement vers la pompe du compresseur.

Filtre à air: Le filtre à air empêche la poussière et les débris d'entrer dans la pompe de compresseur et réduire le bruit du compresseur.

Voyant d'huile: Le voyant d'huile montre le niveau d'huile dans la pompe du compresseur.

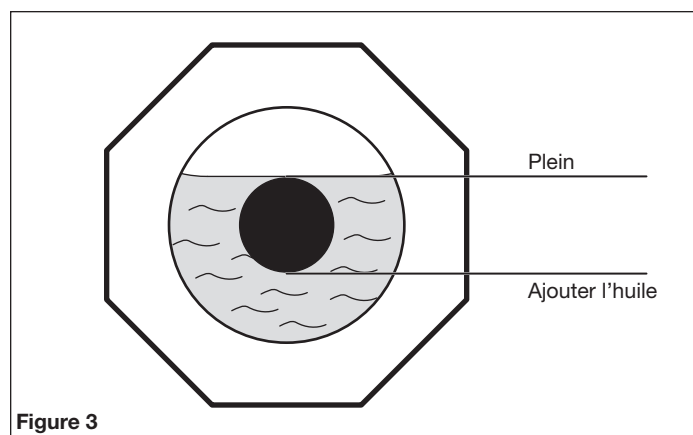


Figure 3

Poignées: Utilisé pour déplacer le compresseur.

Robinet de vidange du réservoir: Le robinet de vidange du réservoir permet de retirer l'humidité du réservoir.

REMARQUE: Chaque réservoir a son propre robinet de vidange de réservoir.

Décharger: Le déchargeur contrôle les tr/min du moteur. Chargé, le moteur tourne à vitesse maximum de fonctionnement et l'air entre dans le réservoir. Déchargé, le moteur ralentit jusqu'à tourner au ralenti et l'air sort dans l'atmosphère.

Réservoirs de stockage d'air: Le réservoir stocke de l'air à utiliser plus tard.

Raccords de sortie d'air: Ces raccords sont des raccords universels rapides de 1/4 po et permettent des changements d'outils rapides.

kPa [PSI (livres par pouce carré)]: Mesure de pression exercée par la force de l'air. La sortie réelle en lb/po² se mesure par un manomètre sur le compresseur.

PCNM (pied cube normal par minute): pi³/min (pied cube par minute) Mesure du volume d'air livré par le compresseur.

Soufflage d'air: Une combinaison de kPa (psi) et PCNM. Le soufflage d'air requis par un outil est indiqué sous forme de (nombre) PCNM à (nombre) kPa (psi). Le mélange de ces chiffres déterminer la taille d'appareil nécessaire.

Capacité de réservoir à air: Le volume d'air stocké dans le réservoir et disponible pour une utilisation immédiate. Un large réservoir permet l'utilisation intermittente d'un outil pneumatique exigeant de l'air à un niveau plus élevé que la valeur nominale du compresseur.

Montage

GRAISSAGE

Ce compresseur est expédié avec l'huile.

Retirer le bouchon de l'orifice de remplissage d'huile. Voir la Figure 1. Installer le reniflard (qui se trouve dans le sachet de pièces avec ce manuel). Voir la Figure 2. Vérifiez le niveau d'huile, car certains modèles sont expédiés avec l'huile dans la pompe. Reportez-vous à l'étiquette de spécification de la pompe du compresseur pour connaître la bonne capacité d'huile et le type d'huile.

Ne pas utiliser l'huile pour automobile ordinaire. Les additifs dans l'huile de moteur peuvent causer de l'encrassement dans les soupapes et peuvent diminuer la vie de la pompe.

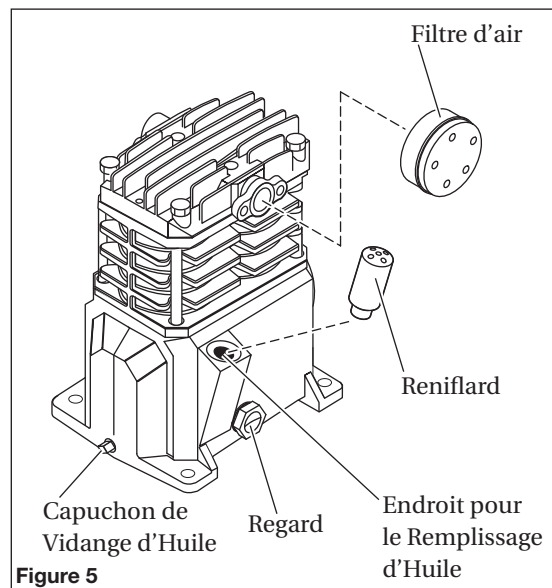
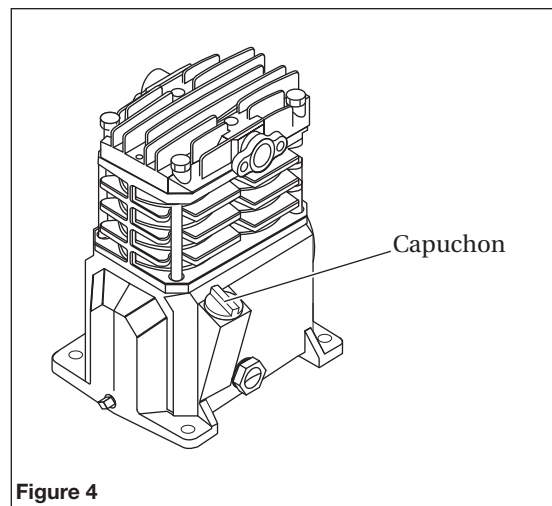
Cette pompe a un regard d'huile comme montré dans la Figure 5. Le niveau d'huile peut être contrôlé et maintenu comme montré dans la Figure 3, page F5.

Se reporter au manuel du moteur pour le bon niveau et type d'huile.

Huile Recommandée (2 Options)	
• Huile de compresseur sans détergent à viscosité simple, SAE 30 ISO. Disponible de Campbell Hausfeld, numéro de pièce ST126701AV.	
• Huile complètement synthétique 5W30 ou 10W30	
Capacité d'Huile	
CE2000	0,25 L (8,5 oz.)

FILTRE D'AIR

Installez le filtre d'air. Voir la Figure 5.



Fonctionnement

AVIS

Avant de mettre le compresseur en marche, lire attentivement tous les manuels d'utilisation des pièces détachées, surtout le manuel du moteur.

Toutes les pompes de compresseur graissées relâchent un peu d'eau condensé et de l'huile avec l'air comprimé. Installer l'équipement nécessaire pour l'enlèvement d'eau/huile qui convient à votre application.

AVIS

Manque d'installer de l'équipement pour l'enlèvement d'eau/huile peut résulter en dommage à l'équipement ou à l'objet de travail.

AVIS

Purger l'humidité du réservoir quotidiennement.

ATTENTION

Ne pas attacher des outils pneumatiques au bout ouvert du tuyau avant que la mise en marche du modèle soit complet et que vous avez vérifié le modèle.

Fonctionnement (Suite)

DÉMARRAGE

AVIS

Pour assurer un bon fonctionnement, l'appareil doit être sur une surface à niveau.

1. Remplir le modèle d'huile et d'essence tel qu'indiqué dans les instructions compris avec le moteur.
2. Vérifier le voyant d'huile pour s'assurer du bon niveau d'huile.
3. Mettre le levier de décharge manuel dans une position horizontale pour permettre que la pompe du compresseur fonctionne sans comprimer de l'air.

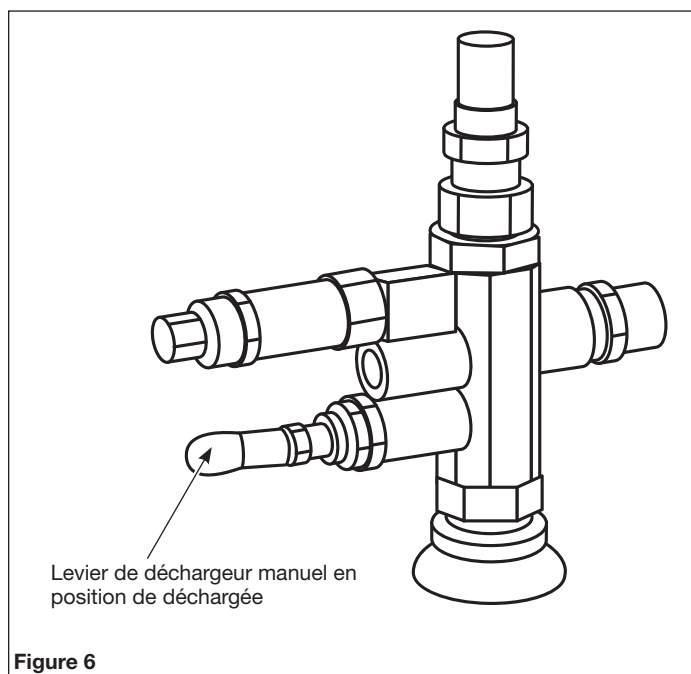


Figure 6

POUR DÉMARRER LE MOTEUR À ESSENCE

1. Mettre le levier de l'étrangleur à la position CHOKE et mettre le levier d'arrêt à la position ON.
2. Tirer légèrement sur la poignée de démarrage jusqu'à ce que vous sentez de la résistance et ensuite tirer brusquement.
3. À mesure que le moteur se réchauffe, déplacer le levier de l'étrangleur petit à petit à la position ouverte. Voir le manuel d'instructions du moteur à essence pour plus de détails.
4. Faire fonctionner le compresseur sans charge pendant environ 30 minutes pour roder la pompe.
5. Après approximativement 30 minutes, déplacer le levier du déchargement à la position chargée. Le compresseur pompera de l'air dans le réservoir.

Lorsque la pression maximum du réservoir est atteinte, le compresseur se décharge automatiquement, mettant le moteur au repos. Le moteur demeure au repos jusqu'à ce que la pression tombe au niveau réglé d'avance. La vitesse du moteur s'augmente et le compresseur pompe de l'air additionnel dans le réservoir.

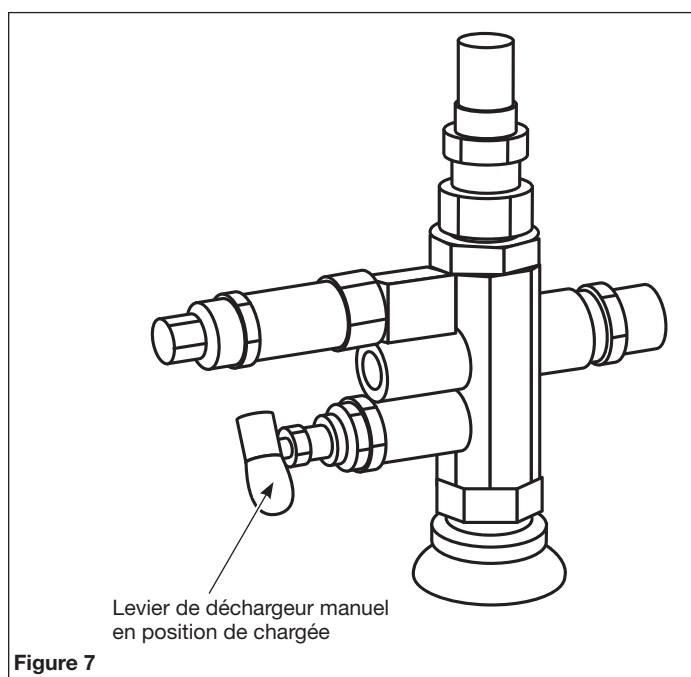


Figure 7

L'HUMIDITÉ DANS L'AIR COMPRIMÉ

L'humidité dans l'air comprimé forme des gouttelettes en arrivant de la pompe du compresseur. Si l'humidité est élevée ou si le compresseur est utilisé continuellement, cette humidité s'accumulera dans le réservoir. En utilisant un pistolet à peinture ou un pistolet pour décapage au sable, cette eau sera transportée du réservoir par moyen du tuyau, et en forme de gouttelettes hors du tuyau mélangée avec le matériel utilisé.

IMPORTANT: Cette condensation peut avoir comme résultat des tâches d'eau sur votre travaille de peinture, surtout en pulvérisant la peinture à l'huile. Pendant la décapage au sable, cette eau servira à tenir le sable ensemble et à causer une obstruction dans le pistolet. Un filtre dans la ligne d'air situé aussi proche du pistolet que possible, peut aider à éliminer cette humidité.

Entretien

⚠ AVERTISSEMENT

Dissiper toute la pression du système avant d'installer, réparer, déplacer ou de procéder à l'entretien du modèle.

⚠ DANGER

Ne pas trifouiller avec la soupape de sûreté ASME.

Pour maintenir un fonctionnement efficace du système de compresseur, vérifier le filtre d'air chaque semaine (selon l'horaire d'entretien), le niveau d'huile et d'essence avant chaque utilisation. Il faut aussi vérifier chaque semaine la soupape de sûreté ASME. Tirer sur l'anneau de la soupape de sûreté et la laisser revenir à sa position normale. Cette soupape relâche l'air automatiquement si la pression du réservoir dépasse le maximum réglé d'avance. Si l'air s'échappe après que vous aviez relâché l'anneau, ou si la soupape est prise et ne peut pas être actionnée par l'anneau, la soupape de sûreté ASME doit être remplacée.

Avec le moteur hors circuit OFF, nettoyer le débris du moteur, volant, réservoir, canalisations d'air et des ailettes de refroidissement de la pompe.

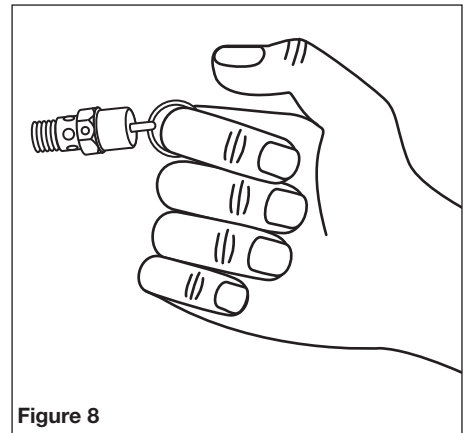


Figure 8

HORAIRE D'ENTRETIEN

Opération	Quotidien	Hebdomadaire	Mensuel	3 Mois
Vérifier le niveau d'huile	●			
Purger le réservoir	●			
Vérifier le filtre à air		●		
Vérifier la soupape de sûreté		●		
Souffler la poussière de l'appareil		●		
Vérifier le serrage de courroies			●	
Changer l'huile				●

RÉSERVOIR

⚠ DANGER

Ne jamais essayer de réparer ni de modifier un réservoir! Le soudage, perçage ou autre modifications peuvent affaiblir le réservoir et peuvent résulter en dommage de rupture ou d'explosion. Toujours remplacer un réservoir usé, fendu ou endommagé.

AVIS

Purger l'humidité du réservoir quotidiennement.

Les réservoirs doivent être inspectés attentivement au moins une fois l'an. Rechercher les fissures près des soudures. Si une fissure est visible, dissiper la pression du réservoir immédiatement et le remplacer.

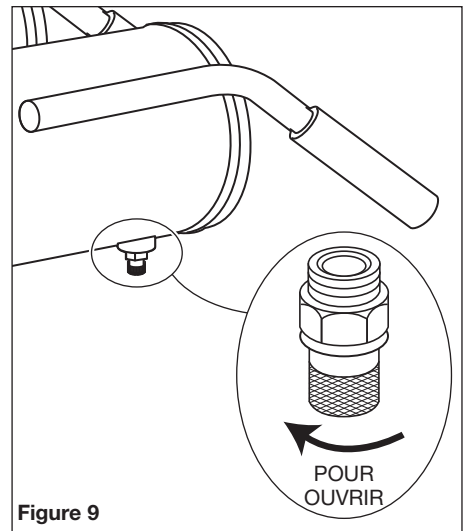


Figure 9

ENLEVAGE, INSPECTION ET REMPLACEMENT DU FILTRE

Pour remplacer un filtre, enlever le couvercle du carter de filtre. Si l'élément du filtre est sale, remplacer l'élément ou tout le filtre.

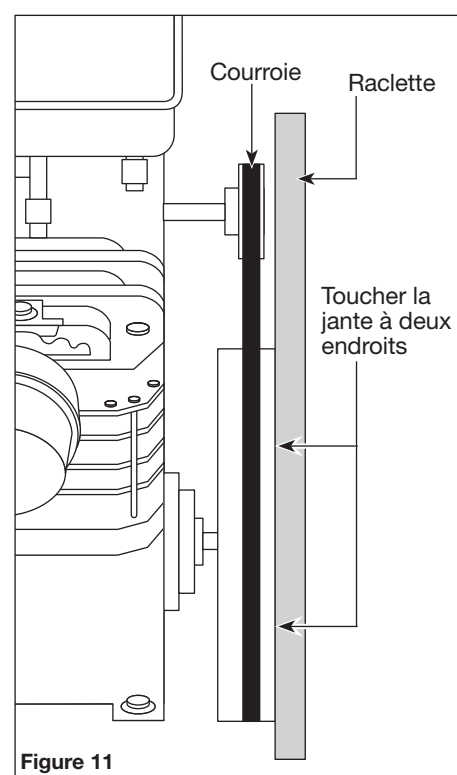
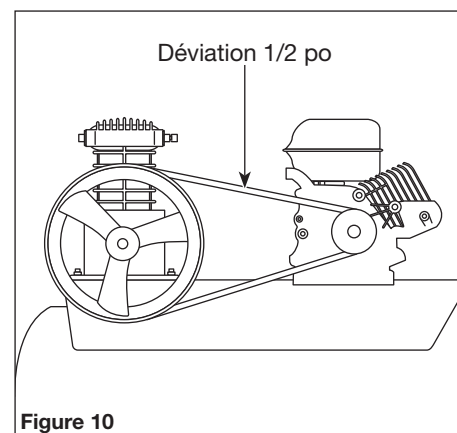
Entretien (Suite)

COURROIE D'ENTRAÎNEMENT

Les courroies étirées sont le résultat d'utilisation normale. Lorsqu'elles sont bien ajustées, la déviation de la courroie est environ 1/2 po avec 2,26 kg de pression appliquée à mi-portée entre la poulie du moteur et la pompe.

Pour régler la tension de la courroie d'entraînement :

1. Enlever le carter de courroie et desserrer l'entretoise du moteur.
2. Desserrer les quatre attaches qui fixent le moteur à la plaque de base.
3. Mettre le moteur dans la bonne direction. La courroie doit être bien alignée lors de l'ajustement.
4. Pour aligner une courroie, placer une limande contre la face du volant, touchant la jante à deux endroits.
5. Ajuster le volant ou la poulie du moteur pour que la courroie soit parallèle à la limande.
6. Utiliser un arrache-roue pour déplacer la poulie sur l'arbre et serrer les attaches.
7. Ajuster l'entretoise et réinstaller le protecteur de courroie.



ENTREPOSAGE

1. Lorsque hors d'usage, le tuyau et le compresseur devraient être entreposés dans un endroit frais et sec.
2. Purger l'humidité du réservoir.
3. Débrancher le tuyau et l'accrocher avec les bouts ouverts face en bas pour permettre que l'humidité se purge.

Guide de dépannage

SYMPTÔME	CAUSE(S) POSSIBLE(S)	ACTION CORRECTIVE
Pression de décharge basse	1. Fuites d'air	1. Écouter pour des fuites d'air. Appliquer de l'eau savonneuse aux raccords et connexions. Les bulles se formeront là où il y a des fuites. Serrer ou remplacer les raccords ou connexions qui ont des fuites.
	2. Fuites dans les soupapes	2. Enlever la culasse et l'inspecter pour la panne des soupapes, soupapes endommagées et sièges de soupapes rayés, etc. Remplacer les pièces défectueuses et monter de nouveau.
	<div style="border: 1px solid black; padding: 2px; display: inline-block;">⚠ ATTENTION</div> <i>S'assurer que le vieux joint d'étanchéité de culasse soit remplacé avec un nouveau chaque fois que la culasse soit enlevée.</i>	
	3. Arrivée d'air obstruée	3. Nettoyer la cartouche filtrante.
	4. Patinage de courroies	4. Desserrer les boulons de serrage et déplacer le moteur dans une direction à l'écart du compresseur, s'assurant que la poulie du moteur soit alignée parfaitement avec le volant. Serrer les boulons de serrage. La courroie devrait dévier environ 12,7 mm sous 2,3 kg de force. Ne pas "rouler" les courroies par dessus des poulies.
	5. Joints d'étanchéité en panne	5. Remplacer les joints d'étanchéité jugés défectueux.
Surchauffage	6. Compression basse	6. La pression basse peut être le résultat de segments et murs de cylindre usés. Remplacer les segments, cylindres et pistons au besoin.
	1. Aération inadéquate	1. Placer le compresseur dans un endroit avec un surplus d'air frais, propre sec et bien circulé.
Usure excessive de la courroie	2. Surfaces refroidissantes sales	2. Nettoyer les surfaces refroidissantes de la pompe et du moteur.
	1. Poulie mal-alignée	1. Aligner de nouveau la poulie du moteur avec la poulie du compresseur.
	2. Courroie trop lâche ou trop serrée	2. Ajuster la tension (Voir section de Courroies D'Entrainement).
	3. Patinage de courroies	3. Ajuster la tension ou remplacer la courroie (Voir section de Courroies D'Entrainement).
Le modèle s'arrête	4. Poulie tremble	4. Vérifier pour un vilebrequin, rainure de clavette ou alésage de poulie résultant du fonctionnement du compresseur ou du moteur avec poulies lâches. Vérifier pour des poulies ou vilebrequin courbés.
	1. Moteur surchargé	1. Faire vérifier le moteur et l'installation de fils par un électricien qualifié et procéder avec ses recommandations. Vérifier la connexion de tension du moteur.
	2. Graissage inadéquat	2. Voir GRAISSAGE, sous Montage.
	3. Niveau d'huile bas	3. Vérifier le niveau d'huile. Remplir au besoin.
	4. Clapet défectueux	4. Remplacer.

Guide de dépannage (Suite)

SYMPTÔME	CAUSE(S) POSSIBLE(S)	ACTION CORRECTIVE
Bruit excessif (cognement)	1. Poulie de moteur ou de compresseur lâche	1. Le cognement des compresseurs est souvent le résultat de poulies de moteur ou de compresseurs lâches. Serrer les boulons de serrage et les vis de pression de la poulie.
	2. Manque d'huile dans le carter	2. Vérifier le niveau d'huile; si bas, vérifier pour des roulements endommagés. De l'huile sale peut causer l'usure excessive.
	3. Bielle usée	3. Remplacer la bielle.
	4. Douille d'axe de piston usé	4. Enlever les montages de piston du compresseur et les inspecter pour l'usure excessive. Remplacer l'axe de piston ou pistons usés au besoin.
	5. Roulements usés	5. Remplacer les roulements usés et changer l'huile.
	6. Le piston frappe la plaque de soupape	6. Enlever la culasse et plaque de soupape du compresseur et les inspecter pour des dépôts charbonneux ou autres matières étrangères sur le piston. Remplacer la culasse et la plaque de soupape utilisant un nouveau joint d'étanchéité.
	7. Clapet bruyant	7. Remplacer.
L'huile dans l'air de décharge	1. Segments de piston usés	1. Remplacer avec des nouveaux segments.
	2. Arrivée d'air du compresseur obstrué	2. Nettoyer le filtre. Vérifier pour d'autres restrictions dans le système d'arrivée.
	3. Reniflard obstrué	3. Nettoyer et vérifier le reniflard pour l'opération libre.
	4. Huile excessif dans le compresseur	4. Vider jusqu'au niveau plein.
	5. Huile de mauvaise viscosité	5. Utiliser l'huile sans détergent SAE 30 (ISO 100).
	6. Bielle hors-d'alignement	6. Remplacer la bielle.

Pour Pièces de Rechange ou Assistance Technique, Appeler 1-800-543-6400

S'il vous plaît fournir l'information suivante:

- Numéro de Modèle
- Numéro de série (si présent)
- Description et numéro de la pièce

Adresser toute correspondance à :

Campbell Hausfeld
Attn: Customer Service
100 Production Drive
Harrison, OH 45030 U.S.A.

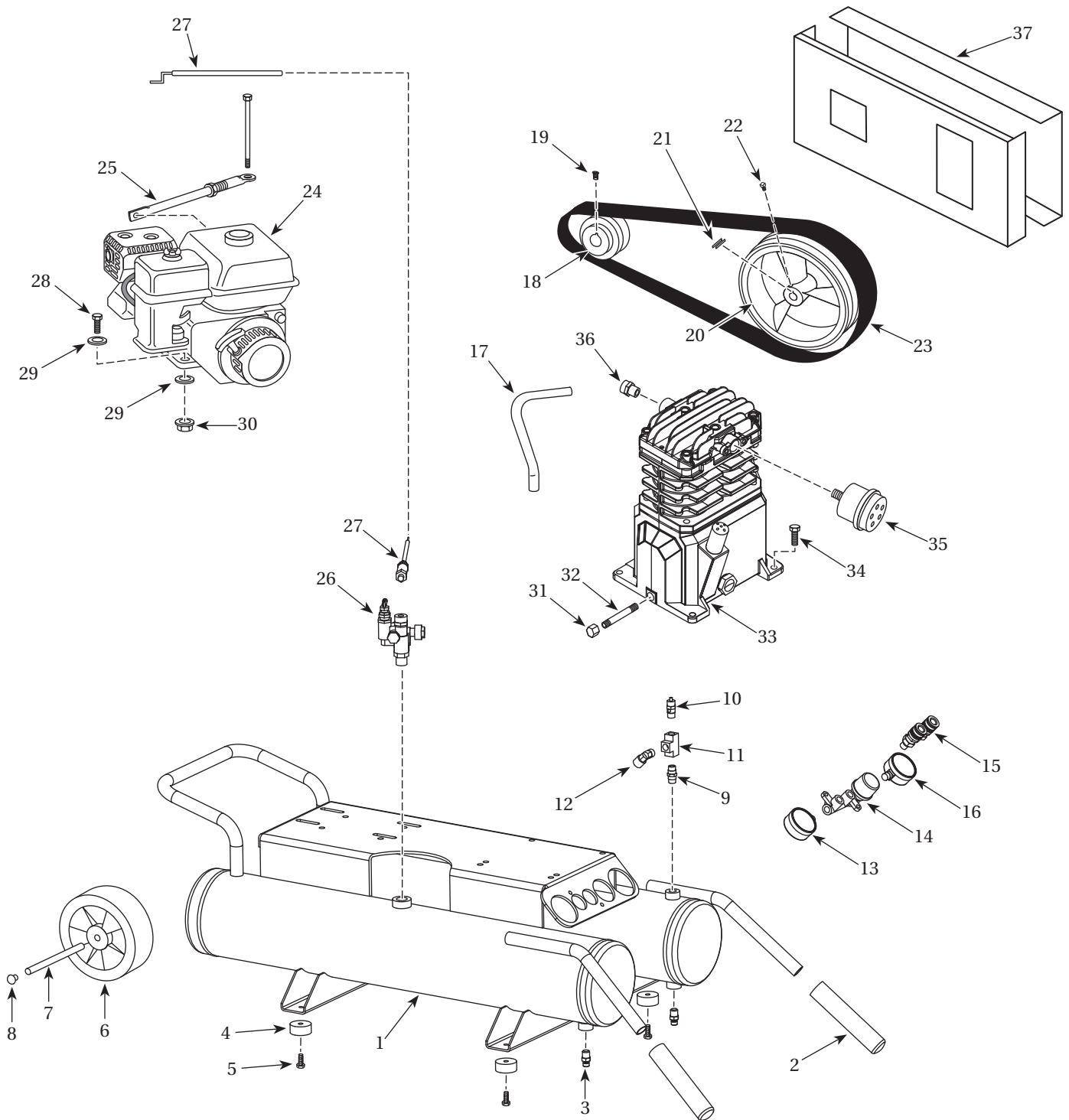


Figure 12 – Illustration des Pièces de Réparation pour le Modèle CE200000

Liste de Pièces de Rechange

Numéro de Référence	Description	Numéro de pièce	Qté.
1	Réservoir d'air	AR052200CG	1
2	Poignée de manche	ST160000AV	2
3	Robinet de purge	D-1403	2
4	Pied en caoutchouc	ST158300AV	4
5	Vis	ST116400AV	4
6	Roue pneumatique 10 po (2,54 cm)	WA005501AV	1
7	Tige d'arbre de roue	AA021800AV	1
8	Bouchon	ST073613AV	2
9	Mamelon	HF002401AV	1
10	ASME Soupape de sûreté	V-215108AV	1
11	Raccord en T	ST183700AV	1
12	Raccord à coude	ST119704AV	2
13	Manomètre, gauche	GA016705AV	1
14	Régulateur	WL017600AV	1
15	Raccord	HF203300AV	2
16	Manomètre, droite	GA016709AV	1
17	Tuyau de décharge	ST186600AV	1
18	Poulie	PU015400AV	1
19	Vis de pression à tête carre	ST012200AV	1
20	Volant	PU015900AV	1
21	Clé	Pas disponible	1
22	Vis de pression	Pas disponible	1
23	Courroie	BT023100AV	1
24	Moteur	NG002502AV	1
25	Assemblage d'ancre	BG208800AJ	1
26	Déchargeur d'obturateur	ST171400AV	1
27	Commande d'obturateur	CV006412AV	1
28	Vis à tête hexagonale	ST070625AV	4
29	Rondelle	ST011200AV	8
30	Contre-écrou	AL014000AV	4
31	Bouchon de vidange d'huile	ST150100AV	1
32	Extension de vidange d'huile	ST083800AV	1
33	Pompe	VT470000AV	1
34	Vis	ST070827AV	4
35	Filtre équipé	WL026100AV	1
36	Assemblage de compression	ST159001AJ	1
37	Montage du dispositif de protection de la courroie	BG220200AJ	1

Pour Pièces de Rechange ou Assistance Technique, Appeler 1-800-543-6400

S'il vous plaît fournir l'information suivante:

- Numéro de Modèle
- Numéro de série (si présent)
- Description et numéro de la pièce

Adresser toute correspondance à :

Campbell Hausfeld
Attn: Customer Service
100 Production Drive
Harrison, OH 45030 U.S.A.

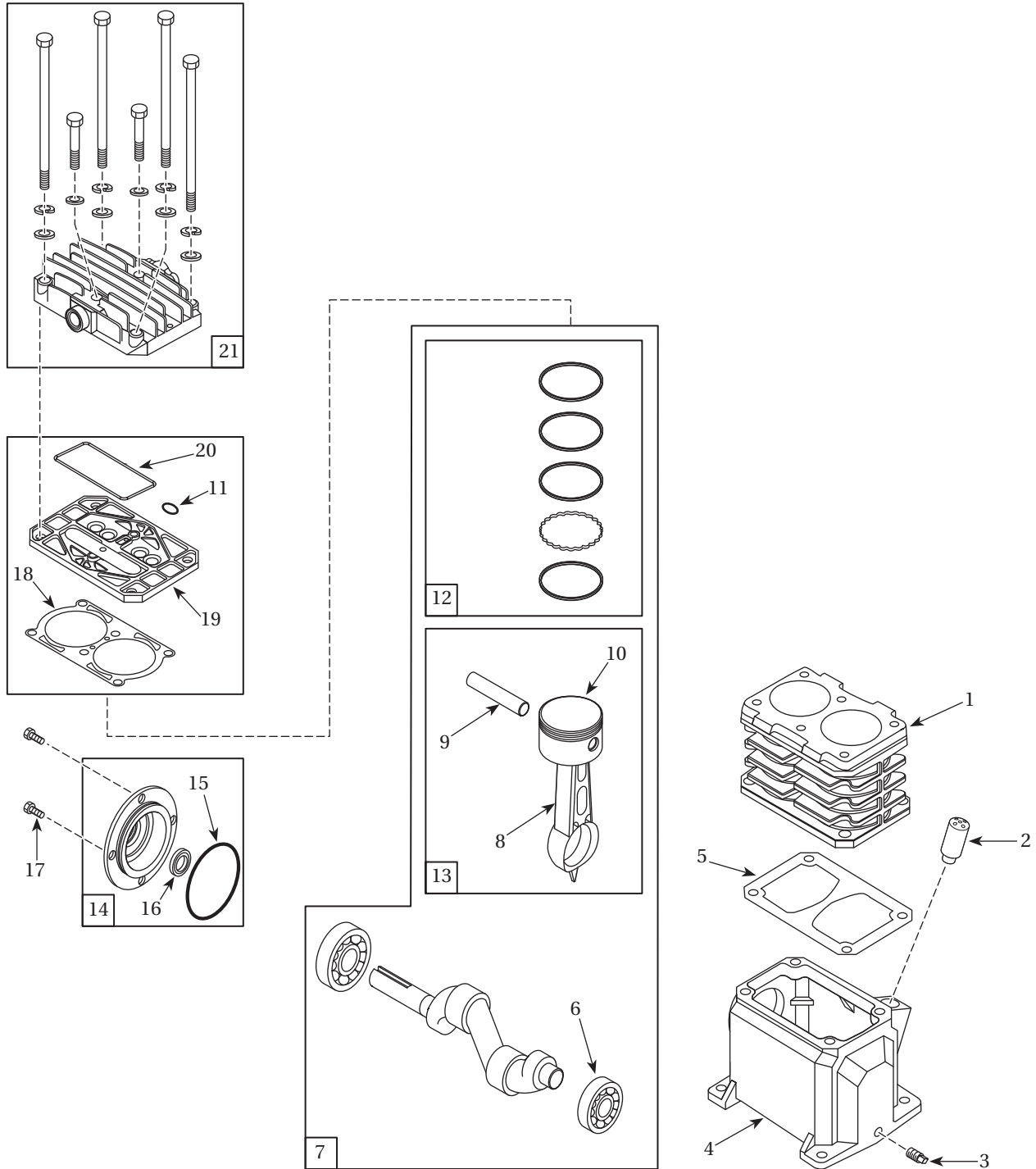


Figure 13 – Illustration des Pièces de Réparation pour le Pompe

Liste de Pièces de Rechange

Numéro de Référence	Description	Numéro de pièce	Qté.
1	Cylindre	VT040915AV	1
2	Reniflard	VH901100AV	1
3	Bouchon de vidange d'huile 1/8 po NPT	ST022300AV	1
4	Carter	VT040300AG	1
5	Joint d'étanchéité du carter	▲	1
6	Roulements à bille	ST084202AV	2
7	Assemblage de villebrequin	VT040650AJ	1
8	Bielle de connexion	VT040100AG	2
9	Goupille de piston	VS001400AV	2
10	Piston	TQ011900AG	2
11	Joint torique	VT036700AV	1
12	Jeu de segments de piston	VT911200AV	1
13	Bielle et piston équipé	VT042900AV	1
14	Assemblage de chapeau de palier	VT040200AJ	1
15	Joint torique	▲	1
16	Bague d'étanchéité	ST129700AV ▲	1
17	Vis d'assemblage M6-1.00 x 10	—	4
18	Joint étanche du cylindre	▲	1
19	Montage de plaque de soupape	VT491100AV	1
20	Joint de plaque de soupape	▲	1
21	Attaches et tête du cylindre	TQ900800AJ	1
22 *	Voyant d'huile avec joint torique	ST191700AV	1
NÉCESSAIRES DE PIÈCES DE RECHANGE			
▲	Jeu de joint d'étanchéité	VT470900AJ	1
*	Article non illustré		

Mémento: *Gardez votre preuve datée d'achat à fin de la garantie! Joignez-la à ce manuel ou classez-la dans un dossier pour plus de sécurité.*

Garantie Limitée

1. DURÉE: À partir de la date d'achat par l'acheteur original comme suit: Trois (3) Ans.
2. GARANTIE ACCORDÉE PAR (GARANT): Campbell Hausfeld/Scott Fetzer Company, 100 Production Drive, Harrison, Ohio, 45030, Téléphone: (800) 543-6400.
3. BÉNÉFICIAIRE DE CETTE GARANTIE (ACHETEUR): L'acheteur original (sauf en cas de revente) du produit Campbell Hausfeld.
4. PRODUITS COUVERTS PAR CETTE GARANTIE: Ce compresseur d'air CE2000.
5. COUVERTURE DE LA PRÉSENTE GARANTIE: Défauts de matière et de fabrication considérables avec les exceptions indiquées ci-dessous.
6. LA PRÉSENTE GARANTIE NE COUVRE PAS:
 - A. Les garanties implicites, y compris celles de commercialisabilité et D'ADAPTION À UNE FONCTION PARTICULIÈRE SONT LIMITÉES À PARTIR DE LA DATE D'ACHAT INITIALE TELLE QU'INDIQUÉE DANS LA SECTION DURÉE. Certaines Provinces / Certains États ne permettent pas de limitations de durée pour les garanties implicites, donc les limitations précédentes peuvent ne pas s'appliquer dans ce cas.
 - B. TOUT DOMMAGE, PERTE OU DÉPENSE FORTUIT OU INDIRECT POUVANT RÉSULTER DE TOUT DÉFAUT, PANNE OU MAUVAIS FONCTIONNEMENT DU PRODUIT CAMPBELL HAUSFELD. Quelques Provinces (États) n'autorisent pas l'exclusion ni la limitation des dommages fortuits ou indirects. La limitation ou l'exclusion précédente peut ne donc pas s'appliquer.
 - C. Toute panne résultant d'un accident, d'une utilisation abusive, de la négligence ou d'une utilisation ne respectant pas les instructions données dans le(s) manuel(s) accompagnant le produit.
 - D. Service avant livraison; par ex. le montage, l'huile ou les lubrifiants et les réglages.
 - E. Articles ou services qui sont exigés pour l'entretien normal du produit; par ex. lubrifiants, filtres et joints d'étanchéités.
 - F. Les moteurs à essence et les pièces détachées sont expressément exclus de cette garantie limitée. L'acheteur doit observer la garantie du fabricant de moteur qui est fournie avec le produit.
 - G. Articles supplémentaires qui ne sont pas couverts sous cette garantie:
 1. Tous les Compresseurs
 - a. Toutes pièces détachées endommagées pendant l'expédition, n'importe quelle panne causée par un montage ou fonctionnement du modèle sous des conditions qui ne conforment pas aux directives de montage et de fonctionnement ou dommage causée par le contact avec les outils ou les alentours.
 - b. La panne de la pompe ou de la soupape causée par la pluie, l'humidité excessive, un environnement corrosif ou autres polluants.
 - c. Les défauts de forme qui n'ont pas d'effet sur le fonctionnement du compresseur.
 - d. Tanques enferrujados, incluindo mas não limitados a ferrugem devido a drenagem inadequada ou ambientes corrosivos.
 - e. Les moteurs électriques, les clapets, et les manostats.
 - f. Robinets de vidange.
 - g. Dommage dû à la tension ou installation de fils incorrecte.
 - h. Autres articles pas indiqués mais considérés pièces à fatigue générales.
 - i. Manostats, régulateurs d'air et soupapes de sûreté qui ont été modifiés d'après les réglages de l'usine.
 2. Compresseurs Graissés
 - a. Usure de la pompe ou dommage aux soupapes causé par l'utilisation d'huile non-spécifiée.
 - b. Usure de la pompe ou dommage aux soupapes causé par toute contamination d'huile ou par le manque de suivre les directives d'entretien d'huile.
 3. Commande par Courroie / Commande Directe / Compresseurs à Essence
 - a. Courroies
 - b. Usure de bagues causée par l'entretien de filtre insuffisant
 - c. Appareils manuels de chargement/déchargement et appareils de commande d'obturateur.
7. RESPONSABILITÉS DU GARANT AUX TERMES DE CETTE GARANTIE: Réparation ou remplacement, au choix du Garant, d'un compresseur ou d'une pièce détachée qui se sont révélés défectueux ou qui ne se sont pas conformés pendant la durée de validité de la garantie.
8. RESPONSABILITÉS DE L'ACHETEUR AUX TERMES DE CETTE GARANTIE:
 - A. Fournir une preuve d'achat datée et un état d'entretien.
 - B. La livraison ou expédition des compresseurs portatifs ou des pièces détachées au Centre De Service Autorisé Campbell Hausfeld. Taux de frais, si applicables, sont la responsabilité de l'acheteur.
 - C. Utilisation et entretien du produit avec un soin raisonnable, ainsi que le décrit le(s) manuel(s) d'utilisation.
9. RÉPARATION OU REMPLACEMENT EFFECTUÉ PAR LE GARANT AUX TERMES DE LA PRÉSENTE GARANTIE: La réparation ou le remplacement sera prévu et exécuté en fonction de la charge de travail dans le centre de service et dépendra de la disponibilité des pièces de rechange.

Cette Garantie Limitée s'applique aux É.-U., au Canada et au Mexique seulement et vous donne des droits juridiques précis. L'acheteur peut également jouir d'autres droits qui varient d'une Province, d'un État ou d'un Pays à l'autre.

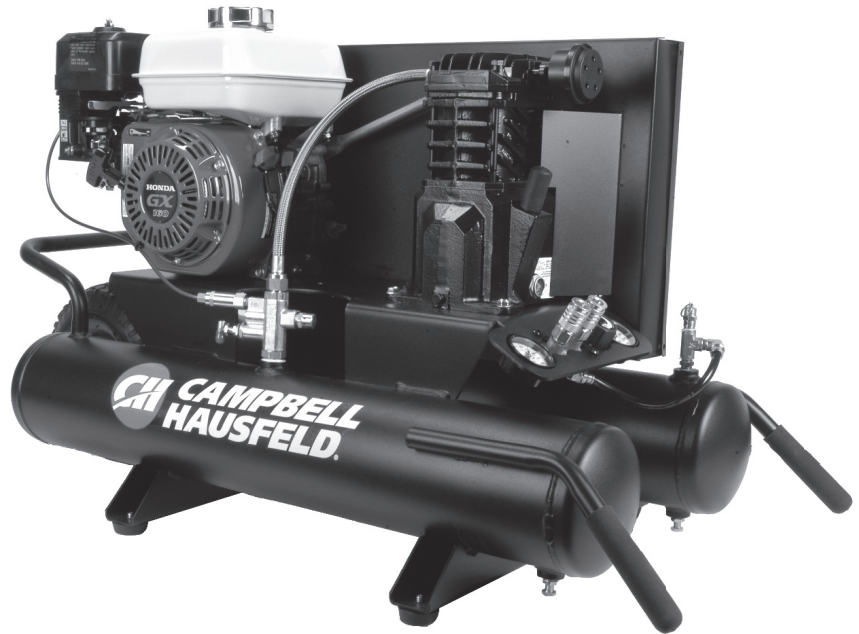
Compresor de Aire con Carretilla



Serie CE2000

Índice

Introducción.....	1
Desempaque.....	1
Especificaciones	1
Medidas de Seguridad	2
Símbolos de Seguridad.....	2
Importantes Instrucciones de Seguridad	2
Conozca su Compresor	4
Ensamblaje	6
Funcionamiento	6
Mantenimiento	8
Guía de Resolución de Problemas.....	10
Lista de Repuestos.....	12
Garantía Limitada	16



Introducción

El Campbell Hausfeld CE2000 es un compresor de aire con motor Honda, equipado con bomba en hierro fundido y lubricación de aceite. Está diseñado para uso en el lugar de trabajo u otras ubicaciones donde no se disponen de electricidad.

Desempaque

1. Retire el compresor de aire de la caja.
2. Coloque el compresor en una superficie de trabajo segura y fija, y examínelo cuidadosamente.

⚠ ADVERTENCIA *No haga funcionar la unidad si se dañó durante el envío, el manejo o el uso. Los daños pueden provocar una explosión y causar lesiones o daño a la propiedad.*

⚠ ADVERTENCIA *Para su propia seguridad, nunca haga funcionar la unidad hasta que todos los pasos de ensamblaje estén completos y hasta que haya leído y entendido todo el manual del operador.*

⚠ ADVERTENCIA *Para reducir el riesgo de lesiones, si falta alguna pieza, no intente ensamblar el compresor de aire hasta obtener e instalar correctamente las piezas faltantes.*

Referencia Rápida

ACEITE RECOMENDADO (2 OPCIONES)

Aceite no detergente de viscosidad única SAE 30 ISO100 para compresores. Disponible por parte de Campbell Hausfeld, pieza número ST126701AV.

Aceite totalmente sintético 5W30 o 10W30

ESPECIFICACIONES

Capacidad de Aceite	0,25 L (8,5 oz.)
Motor	Honda GX160
Bomba	En hierro fundido, dos cilindros
Tanque	30,28 L (8 Gallons)
Entrega de aire	0,33 m ³ /min @ 2,76 bar (40 psi) 0,29 m ³ /min @ 6,21 bar (90 psi)
Presión máxima	10,34 bar (150 psi)

GUARDE ESTA INFORMACIÓN PARA REFERENCIA FUTURA

Número de Serie:

Nº del Modelo:

Fecha de Compra:

Medidas de Seguridad

Este manual contiene información que es muy importante que se conozca y comprenda. Esta información se proporciona con fines de SEGURIDAD y para EVITAR PROBLEMAS CON EL EQUIPO. Para ayudar a reconocer esta información, observe los siguientes símbolos.

▲ PELIGRO Peligro indica una situación inminentemente peligrosa, que si no se evita, dará como resultado la muerte o lesiones graves.

▲ ADVERTENCIA Advertencia indica una situación potencialmente peligrosa, que si no se evita, PODRÍA ocasionar la muerte o lesiones graves.

▲ PRECAUCION Precaución indica una situación potencialmente peligrosa, que si no se evita, PUEDE dar como resultado lesiones leves o moderadas.

AVISO Aviso indica una información importante, que de no seguirla, le podría ocasionar daños al equipo.

IMPORTANTE: información que requiere atención especial.

Símbolos de Seguridad

Los siguientes símbolos de seguridad aparecen a lo largo de este manual para advertirle de importantes peligros y precauciones de seguridad.



Use protección para los ojos y máscara



Lea primero el manual



Riesgo de incendio



Riesgo de piezas móviles



Riesgo de piezas calientes



Riesgo de explosión



Riesgo de vapores



Riesgo de presión



Riesgo de choque eléctrico

Sírvase leer y guardar estas instrucciones. Lea con cuidado antes de tratar de armar, instalar, manejar o darle servicio al producto descrito en este manual. Protéjase Ud. y a los demás observando todas las reglas de seguridad. El no seguir las instrucciones podría resultar en heridas y/o daños a su propiedad. Guarde este manual como referencia.

Importantes Instrucciones De Seguridad

Este manual contiene información sobre seguridad, funcionamiento y mantenimiento. Si tiene preguntas, llame al 1-800-543-6400 para obtener asistencia al cliente.

Como el compresor de aire y otros componentes usados (cabezales, pistolas pulverizadoras, filtros, lubricadores, mangueras, etc.), forman parte de un sistema de bombeo de alta presión, deberá seguir las siguientes medidas de seguridad todo el tiempo:

PROPOSICIÓN 65 DE CALIFORNIA

▲ ADVERTENCIA Este producto, o su cordón eléctrico, puede contener productos químicos conocidos por el estado de California como causantes de cáncer y defectos de nacimiento u otros daños reproductivos. Lave sus manos después de usar.

▲ ADVERTENCIA Cuando corta lija, taladra o pule materiales como por ejemplo madera, pintura, metal, hormigón, cemento, u otro tipo de mampostería se puede producir polvo. Con frecuencia este polvo contiene productos químicos que se conocen como causantes de cáncer, defectos congénitos u otros daños reproductivos. Use equipo de protección.



▲ PELIGRO

Advertencia Sobre el Aire Respirable

Este compresor/cabezal no viene listo de fábrica para suministrarle aire respirable. Antes de utilizarlos con este fin, deberá instalarle un sistema de seguridad y alarma incorporado a la línea. Este sistema adicional es necesario para filtrar y purificar el aire adecuadamente, para cumplir con las especificaciones mínimas sobre aire respirable de Grado D descritas en la Especificación de Productos G 7.1 de la Asociación de Aire Comprido. Igualmente, deberá cumplir los requisitos establecidos por el Artículo 29 CFR 1910.134 de la Organización norteamericana OSHA y/o la Canadian Standards Associations (CSA).

RENUNCIA A LAS GARANTIAS

Si el compresor se utiliza para producir aire respirable SIN haberle instalado el sistema de seguridad y alarma, todas las garantías se anularán y la compañía Campbell Hausfeld no asumirá NINGUNA responsabilidad por pérdidas, heridas personales o daños.

INFORMACIONES GENERALES DE SEGURIDAD

- ◆ Lea con cuidado todos los manuales incluidos con este producto. Familiarícese con los controles y el uso adecuado del equipo.
- ◆ Siga todos los códigos de seguridad laboral y electricidad establecidos en su país, por ejemplo, los de la NEC y OSHA en EUA.
- ◆ Este compresor sólo debe ser usado por personas que estén bien familiarizadas con las reglas de seguridad de manejo.
- ◆ Mantenga a los visitantes alejados y NUNCA permita la presencia de niños en el área de trabajo.
- ◆ Siempre use anteojos de seguridad (aprobadas por ANSI Z87.1 o en Canadá CSA Z94.3-99) y protéjase los oídos para operar el cabezal o el compresor.
- ◆ No se encarama sobre el cabezal, ni lo use para sostenerse.
- ◆ Antes de cada uso, inspeccione el sistema de aire comprimido y los componentes eléctricos para ver si están dañados, deteriorados, desgastados o tienen fugas. Repare o reemplace las piezas dañadas antes de usar el equipo.



Importantes Instrucciones De Seguridad (Continuación)

- ◆ Chequeé todas las conexiones frecuentemente para cerciorarse de que estén bien apretadas.

⚠ ADVERTENCIA *Los motores, equipos eléctricos y controles, pueden ocasionar arcos eléctricos que se encenderían con gases o vapores inflamables. Nunca utilice o repare el compresor cerca de gases o vapores inflamables. Nunca almacene líquidos o gases inflamables cerca del compresor.*



⚠ ADVERTENCIA *Nunca utilice el compresor sin la tapa de las bandas. Los compresores se pueden encender automáticamente sin previo aviso. Las piezas en movimiento podrían ocasionarle heridas o daños a su propiedad.*



- ◆ No se ponga ropa muy holgada o joyas, ya que éstas se le podrían enredar en las piezas en movimiento.

⚠ PRECAUCION *Las piezas del compresor podrían estar calientes, inclusive cuando la unidad esté apagada.*



- ◆ Mantenga los dedos alejados del compresor cuando éste esté funcionando; las piezas en movimiento o calientes, le ocasionarían heridas y/o quemaduras.
- ◆ Si el equipo comienza a vibrar excesivamente, APAGUE el motor y chequeélo inmediatamente para determinar la razón. Generalmente, la vibración excesiva se debe a una falla.
- ◆ Para reducir el peligro de incendio, mantenga el exterior del motor libre de aceite, solventes o exceso de grasa.

⚠ ADVERTENCIA *Es obligación instalar en la tubería de aire o en el tanque de este compresor una válvula de desfogue según las normas de seguridad ASME con ajuste no superior a la Presión Máxima Admisible de Trabajo (MAWP) del tanque. Esta válvula debe estar diseñada para los valores máximos de flujo y presión para proteger los componentes contra el peligro de explosión. Los límites máximos del flujo se indican en el manual de repuestos. La válvula de seguridad del sistema de enfriamiento interno no protege el sistema.*

⚠ ADVERTENCIA *La presión máxima es 12,07 bar en los compresores de dos etapas. No lo utilice con el presostato o las válvulas del piloto fijadas a presiones mayores de 12,07 bar (dos etapas).*

- ◆ Nunca trate de ajustar la válvula de seguridad ASME. Evite que se le acumule pintura u otro residuos.

⚠ ADVERTENCIA *¡Nunca trate de reparar o modificar el tanque! Si lo suelda, taladra o modifica de cualquier otra manera, el tanque se debilitará y podría romperse o explotar. Siempre reemplace los tanques desgastados, rotos o dañados.*



AVISO

Drene el líquido del tanque diariamente.

- ◆ Los tanques se oxidan debido a la acumulación de humedad y esto debilita el tanque. Cerciórese de drenar el tanque con regularidad e inspeccionarlo periódicamente, para ver si está en malas condiciones, por ejemplo, si está oxidado.
- ◆ La circulación rápida de aire podría levantar polvo y desperdicios dañinos. Siempre libere el aire lentamente para drenar el tanque o liberar la presión del sistema.

- ◆ Chequeé el nivel del combustible antes de encender el motor. No le ponga combustible al motor dentro de un área encerrada. Limpie cualquier derrame de gasolina antes de encender el motor.

⚠ ADVERTENCIA *NUNCA le ponga combustible al motor mientras esté encendido o caliente. El combustible podría ocasionar incendios y quemaduras graves. Evite rebosar el tanque de combustible.*

⚠ PELIGRO *El vapor emitido por la gasolina es muy inflamable. Sólo debe ponerle gasolina al aire libre o en áreas bien ventiladas. No almacene, derrame o use gasolina cerca de llamas al descubierto o artefactos que tengan un piloto como cocinas, calefacciones, calentadores de agua, o ninguna otra fuente de chispas. Si derrama gasolina accidentalmente, mueva la unidad fuera del área y evite que se creen fuentes de ignición hasta que los vapores de la gasolina se hayan disipado.*

⚠ ADVERTENCIA *Los motores, equipos eléctricos y controles, pueden ocasionar arcos eléctricos que se encenderían con gases o vapores inflamables. Nunca utilice o repare el compresor cerca de gases o vapores inflamables. Nunca almacene líquidos o gases inflamables cerca del compresor.*

⚠ ADVERTENCIA *El monóxido de carbono le puede ocasionar náuseas se- veras, desmayos o la muerte. No utilice el compresor dentro de un edificio encerrado o con poca ventilación.*

⚠ ADVERTENCIA *Nunca desconecte ni trate de ajustar la válvula de seguridad. Evite que se le acumule pintura u otro residuos.*

- ◆ No modifique los controles del motor. Al acelerar la unidad excesivamente, reducirá drásticamente la duración del motor y podría ser peligroso.

PRECAUCIONES PARA ROCIAR

⚠ ADVERTENCIA *Nunca rocíe materiales inflamables cerca de llamas al descubierto o fuentes de ignición, incluyendo el compresor.*



- ◆ No fume mientras esté rociando pintura, insecticidas u otras sustancias inflamables.
- ◆ Use una máscara/respirador cuando vaya a rociar y siempre rocíe en un área bien ventilada, para evitar peligros de salud e incendios.
- ◆ Nunca rocíe pintura ni otros materiales, directamente hacia el compresor. Coloque el compresor lo más lejos posible del área de trabajo, para minimizar la acumulación de residuos en el compresor.
- ◆ Al rociar o limpiar con solventes o químicos tóxicos, siga las instrucciones del fabricante de dichos químicos.



GUARDE ESTAS INSTRUCCIONES – NO LAS DESECHE

Los símbolos de PELIGRO, ADVERTENCIA, PRECAUCIÓN, y AVISO y las instrucciones en este manual no pueden posiblemente cubrir todas las condiciones y situaciones posibles que puedan presentarse. El operador debe entender que la precaución es un factor que no puede ser incluido en el producto, sino que debe ser proporcionada por el operador.

Conozca su Compresor

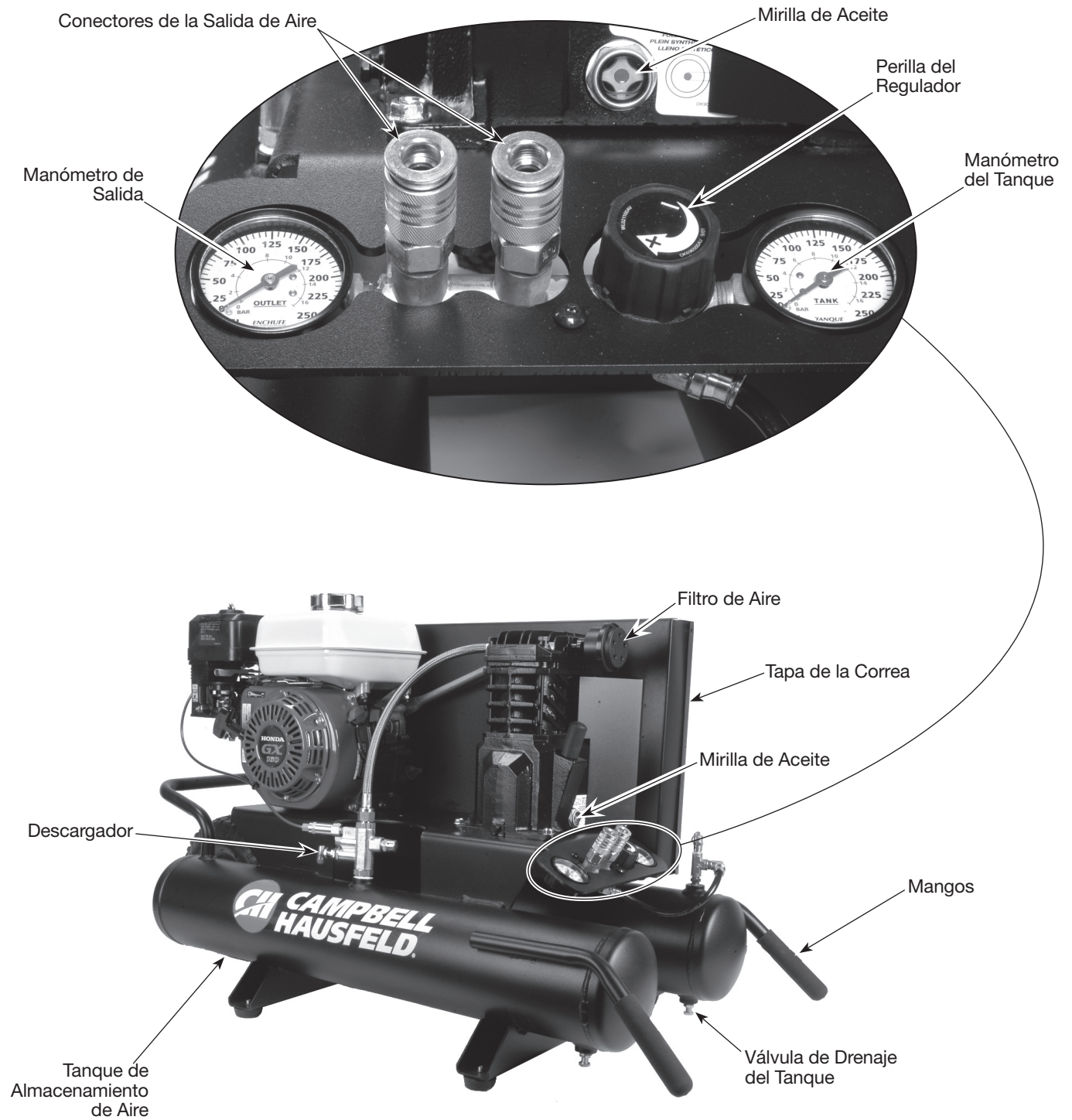


Figura 1

Conozca su Compresor (Continuación)

GLOSARIO

Válvula de Seguridad ASME: Esta válvula libera automáticamente el exceso de aire cuando la presión ha alcanzado la presión máxima fijada.

Perilla del Regulador: Esta perilla controla la presión de aire hacia una herramienta neumática o una pistola pulverizadora de pintura. Al girar la perilla hacia la derecha aumenta la presión de aire en la salida. Al girar la perilla hacia la izquierda disminuye la presión de aire en la salida. Poner la perilla totalmente hacia la izquierda cerrará el flujo de aire por completo.

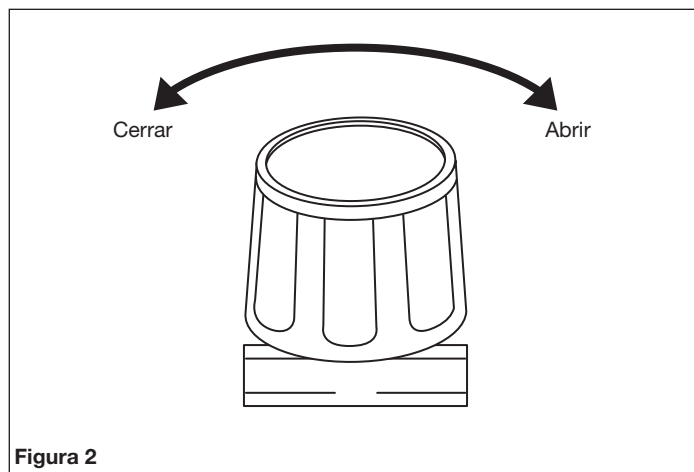


Figura 2

Manómetro del Tanque: Indica la presión del tanque en psi. Mide la presión del tanque para verificar que está funcionando adecuadamente.

Manómetro de Salida: Este manómetro le permite verificar la presión de salida muy fácilmente. Dicha presión se mide en libras por pulgada al cuadrado (PSI). La mayoría de las herramientas tienen una clasificación máxima de presión. Nunca exceda la clasificación máxima de presión de la herramienta que está usando. Cerciórese de que el manómetro esté en ZERO antes de cambiar de herramientas neumáticas o desconectar la manguera. Se regula con la perilla reguladora.

Presión Conexión/Desconexión: Specific psi at which a compressor starts and stops while refilling the air tank.

Tapa de la Correa: El protector de la correa encierra las poleas y la correa de transmisión. Protege al usuario de las piezas móviles y dirige aire refrigerante a la bomba del compresor.

Filtro de Aire: El filtro de aire evita que la suciedad y los residuos entren a la bomba del compresor y reduce el ruido del compresor.

Mirilla de Aceite: El visor de aceite indica el nivel de aceite en la bomba del compresor.

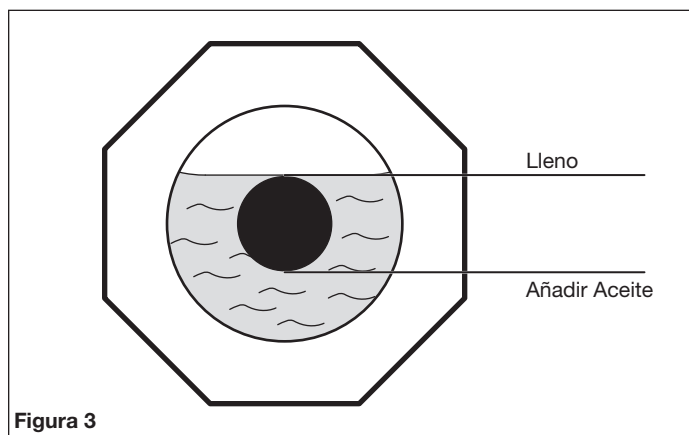


Figura 3

Mangos: Se usan para mover el compresor.

Válvula de Drenaje del Tanque: La válvula de drenaje del tanque permite que la humedad salga del tanque.

NOTA: Cada tanque tiene su propia válvula de drenaje del tanque.

Descargador: El descargador controla las rpm del motor. Cuando está cargado, el motor funcionará a la máxima velocidad de funcionamiento y el aire entrará al tanque. Cuando está descargado, el motor disminuirá su velocidad hasta el mínimo y el aire se expulsará a la atmósfera.

Tanques de Almacenamiento de Aire: Los tanques almacenan aire para usarlo más tarde.

Conectores de la Salida de Aire: Estos conectores son de conexión rápida y estilo universal de 6,4 mm (1/4 pulg.) y permiten cambios de herramienta rápidos.

Bar [PSI (Libras por Pulgada Cuadrada)]: Unidad de medida de la presión ejercida por la fuerza del aire. La salida real en psi se mide con un manómetro en el compresor.

SCFM (Pies Cúbicos Estándar por Minuto): A veces llamado CFM (pies cúbicos por minuto). Unidad de medida del volumen de aire entregado por el compresor.

Entrega de Aire: Una combinación de Bar (psi) y SCFM. La entrega de aire que necesita una herramienta está dada por (número) SCFM a (número) psi. La combinación de estas cifras determina el tamaño de unidad que se necesita.

Capacidad del Tanque de Aire: El volumen de aire almacenado en el tanque y disponible para su uso inmediato. Un tanque grande permite el uso intermitente de una herramienta neumática con un requisito de aire mayor que la entrega promedio del compresor.

Ensamblaje

LUBRICACION

Este compresor viene de fábrica con aceite.

Retire el tapón del orificio para llenar el aceite. Vea la Figura 1. Instale el respiradero (se encuentra en la bolsa de las piezas con este manual). Vea la Figura 2. Verifique el nivel de aceite; algunos modelos se envían con aceite en la bomba. Vea la etiqueta de especificación en la bomba del compresor para observar la capacidad de aceite adecuada y el tipo de aceite.

No use aceite normal para vehículos. Los aditivos en los aceites para motores pueden ocasionar depósitos de residuos en las válvulas y reducir la duración del cabezal. Para lograr la máxima duración del cabezal, drene el aceite y cámbielo después de la primera hora de funcionamiento.

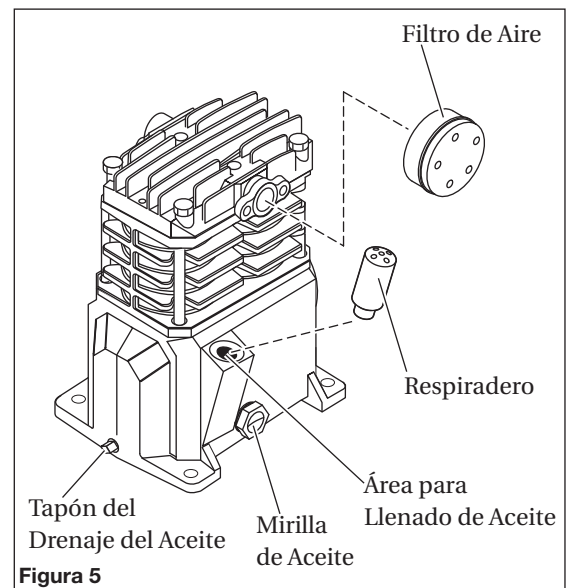
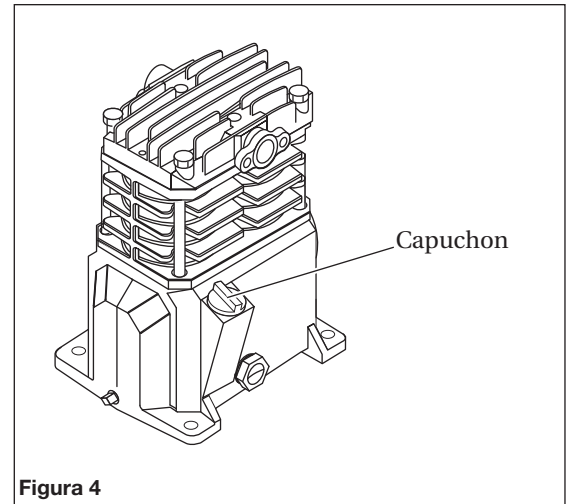
Esta bomba tiene un visor de vidrio para el aceite, como se muestra en la Figura 2. El nivel de aceite puede ser verificado y mantenido, como se muestra en la Figura 3, página S5.

Refiérase al manual del motor para el nivel y el tipo de aceite apropiados.

Aceite Recomendado (2 Opciones)	
• Aceite no detergente de viscosidad única ISO100 (SAE 30) para compresores. Disponible por parte de Campbell Hausfeld, pieza número ST126701AV.	
• Aceite totalmente sintético 5W30 o 10W30	
Capacidad de Aceite	
CE2000	0,25 L (8,5 oz.)

FILTRO DE AIRE

Instale el filtro de aire. Vea la Figura 5.



Funcionamiento

AVISO

Antes de encender el compresor, lea cuidadosamente todos los manuales de instrucción, especialmente el manual del motor.

Todos los cabezales de compresores de aire lubricados expulsan cierta cantidad de agua condensada y aceite mezclados con el aire comprimido. Por lo tanto, debe instalarle un equipo para eliminar el agua/aceite y controles adecuados para el tipo de trabajo a realizar.

AVISO

Si no le instala el equipo adecuado para eliminar el agua/aceite podría ocasionarle daños a la maquinaria o pieza de trabajo.

AVISO

Drene el líquido del tanque diariamente.

PRECAUCION

No conecte las herramientas neumáticas al extremo de la manguera hasta que haya terminado el proceso de preparación para el uso y haya verificado que la unidad esté lista para funcionar.

Funcionamiento (Continuación)

ENCENDIDO

AVISO

Para asegurarse el correcto funcionamiento, la unidad debe estar en una superficie nivelada.

1. Llene la motor de aceite y gasolina según las instrucciones del motor.
2. Verifique la mirilla del aceite para asegurarse de que el nivel esté correcto.
3. Mueva la palanca del descargador manual hacia arriba, a la posición horizontal, para que el cabezal funcione sin comprimir aire.

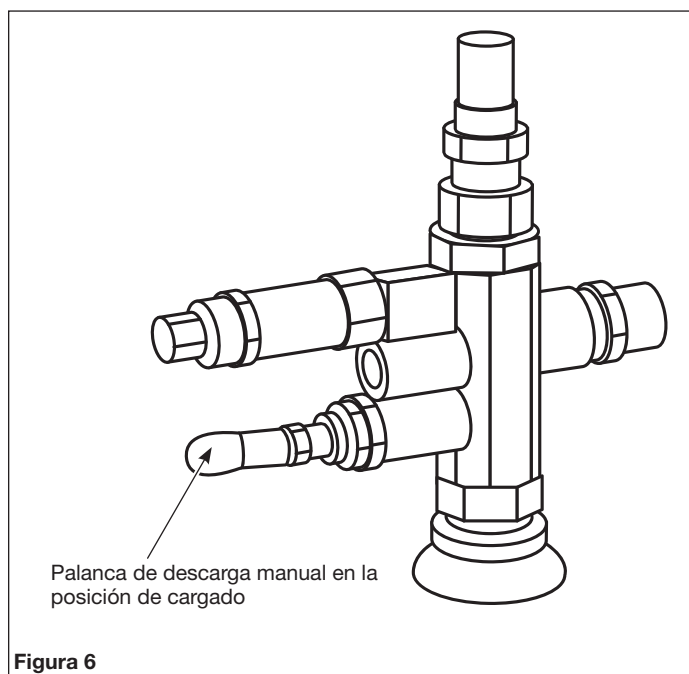


Figura 6

PARA ENCENDER EL MOTOR DE GASOLINA

1. Mueva la palanca de la toma de aire en la posición "CHOKE" (tome de aire), abra la palanca de combustible, y gire el interruptor de parada del motor a la posición de encendido (ON).
2. Hále la cuerda para encender el motor hasta que sienta resistencia, después hálela con fuerza.
3. A medida que el motor se caliente, mueva gradualmente la palanca del ahogador hasta abrirlo. El manual del motor de gasolina le ofrece más detalles al respecto.
4. Deje que el compresor funcione por unos 30 minutos sin carga para que las piezas del cabezal se fijen.
5. Después de aproximadamente 30 minutos, baje la palanca del descargador hasta la posición loaded (cargado). El compresor comenzará a suministrarle aire al tanque.

Cuando el tanque alcanza su presión máxima, el compresor automáticamente se descarga y el motor deja de trabajar. El motor continua funcionando al vacío hasta que la presión del tanque baje a un nivel fijado. Entonces el motor se acelera y el compresor le suministra aire adicional al tanque.

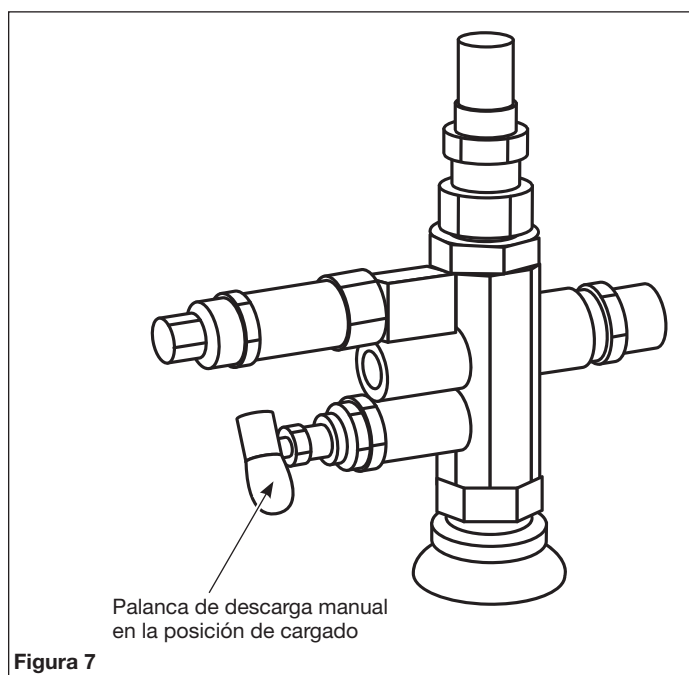


Figura 7

HUMEDAD EN EL AIRE COMPRIMIDO

La humedad que se acumula en el aire comprimido se convierte en gotas a medida que sale del cabezal del compresor de aire. Cuando el nivel de humedad es muy alto o cuando el compresor ha estado en uso continuo por mucho tiempo, ésta se acumulará en el tanque. Al usar una pistola pulverizadora de pintura o una rociadora de arena, la misma saldrá a través de la manguera mezclada con el material que esté rociando.

IMPORTANTE: Importante: Esta condensacion ocasionará manchas en la superficie pintada, especialmente cuando esté pulverizando pinturas que no sean a base de agua. Al rociar arena esta ocasionará que la arena se aglutine y obstruya la pistola, reduciendo su eficacia. Para eliminar este problema, coloque un filtro en la línea de aire, lo más cerca posible de la pistola.

Mantenimiento

⚠ ADVERTENCIA *Desconecte la unidad y libere toda la presión del sistema antes de tratar de instalar el compresor, darle servicio, moverlo de sitio o darle cualquier tipo de mantenimiento.*

⚠ PELIGRO *No trate de modificar la válvula de seguridad ASME.*

A fin de mantener un funcionamiento eficiente del sistema compresor, verifique el filtro de aire semanalmente (según la planificación del mantenimiento), el nivel de aceite y el nivel de gasolina antes de cada uso. La válvula de seguridad ASME también se deberá verificar semanalmente. Para hacerlo, hále el anillo y déjelo que calce de nuevo en su posición normal. Esta válvula automáticamente libera el aire si la presión del tanque excede el nivel máximo fijado. Si hay fugas de aire después de haber soltado el anillo, o si la válvula está atascada y no se puede activar con el anillo, deberá reemplazarla.

APAGUE el motor y limpie el motor, el volante, el tanque, las líneas de aire y las aletas del sistema de enfriamiento del cabezal.

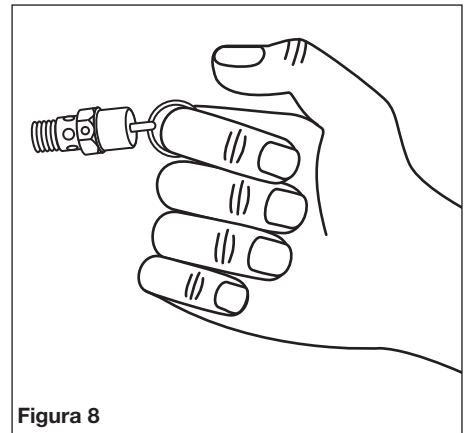


Figura 8

PLANIFICACIÓN DEL MANTENIMIENTO

Servicio necesario	Diariamente	Semanalmente	Mensualmente	Anualmente
Mídale el aceite	●			
Drene el tanque	●			
Chequee el filtro de aire		●		
Chequee la válvula de seguridad		●		
Limpie con aire la suciedad de la unidad		●		
Chequee la tensión de las bandas			●	
Cámbiele el aceite				●

TANQUE

⚠ PELIGRO *¡Nunca trate de reparar o modificar el tanque! Si lo suelda, taladra o modifica de cualquier otra manera, el tanque se debilitará y podría romperse o explotar. Siempre reemplace los tanques desgastados o dañados.*

AVISO *Drene el líquido del tanque diariamente.*

Los tanques se deberán inspeccionar cuidadosamente al menos una vez al año. Chequee a ver si hay grietas en las soldaduras. De haberlas, libere la presión del tanque inmediatamente y reemplácelo.

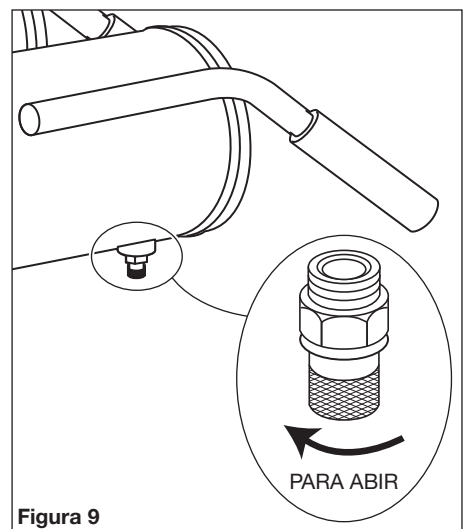


Figura 9

PARA DESMONTAR, CHEQUEAR Y REEMPLAZAR EL FILTRO

Para cambiarle el filtro quítele la tapa. Si un elemento del filtro está sucio, reemplace el elemento o todo el filtro.

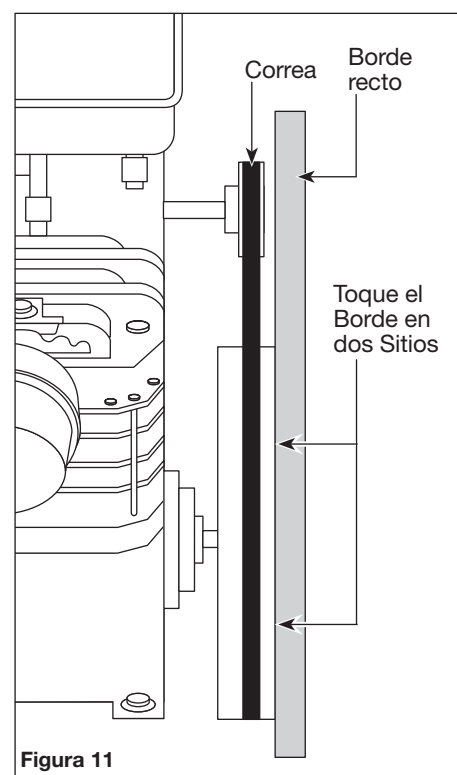
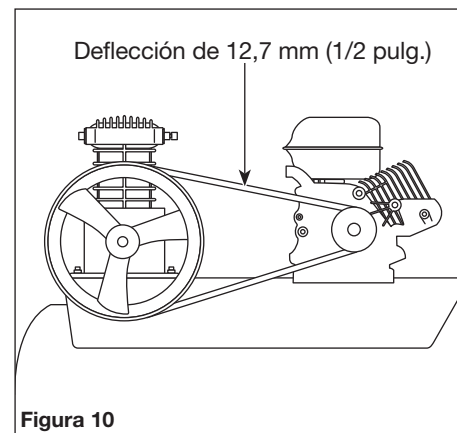
Mantenimiento (Continuación)

BANDAS

Las bandas se estiran debido al uso normal. Cuando están bien ajustadas, al aplicarle una presión de 2,26 kg entre la poleas del motor y el cabezal, la banda debe tener una deflexión de más o menos 12,7 mm (1/2 pulg.).

Para ajustar la tensión de las bandas:

1. Quítele la tapa protectora de bandas y afloje la abrazadera del motor.
2. Afloje los 4 pernos que sostienen el motor a la base.
3. Mueva el motor en la dirección adecuada. La banda debe estar alineada después de ajustar el motor.
4. Para alinear la banda, coloque un objeto recto que toque dos puntos del volante.
5. Ajuste la polea del motor o el volante de modo que la banda esté paralela al borde recto.
6. Use un sacaengranaje para mover la polea en el eje y apriete los tornillos.
7. Ajuste el sujetador y reinstale el protector de la correa.



ALMACENAMIENTO

1. Cuando no los esté usando, almacene la manguera y el compresor en un sitio frío y seco.
2. Se deberá drenar la humedad de los tanques.
3. Se deberá desconectar y colgar la manguera con los extremos abiertos hacia abajo para permitir que drene toda la humedad.

Guía de Resolución de Problemas

PROBLEMA	CAUSA	SOLUCIÓN
Baja presión de salida	1. Fugas de aire	1. Escuche a ver si hay fugas de aire. Aplíquelo agua enjabonada a todas las conexiones. Verá burbujas si hay fugas. Apriete o reemplace las conexiones donde haya fugas.
	2. Fugas en las válvulas	2. Desmonte la culata e inspeccione a ver si las válvulas están rotas o defectuosas, si el asiento de las válvulas están dañadas etc. Reemplace las piezas defectuosas y ensámblelas.
	<div style="border: 1px solid black; padding: 2px; display: inline-block;">⚠ PRECAUCION</div> <i>Cerciórese de reemplazar el empaque de la culata por uno nuevo cada vez que la desmonte</i>	
	3. Entrada de aire restringida	3. Limpie el elemento del filtro.
	4. Bandas desajustadas	4. Afloje los pernos del motor y mueva el motor en dirección opuesta al compresor, cerciórese de que la polea del motor esté perfectamente alineada con el volante. Apriete los pernos del motor. La banda debe tener una deflexión de una 12,7 mm al aplicarse 2,3 kg de fuerza. No force las bandas para colocarlas en las poleas.
	5. Empaques dañados	5. Reemplace cualquier empaque que encuentre dañado.
El compresor se sobrecalienta	6. Baja compresión	6. La baja presión podría ser debido a que los anillos o las paredes del cilindro estén desgastados. Para solucionar el problema reemplace los anillos, cilindros y pistones cuando sea necesario.
	1. Ventilación inadecuada	1. Reubique el compresor de modo que se le pueda suministrar suficiente aire frío, limpio, con buena circulación y seco.
Desgaste excesivo de las bandas	2. Las superficies de enfriamiento están sucias	2. Limpie las partes del sistema de enfriamiento del cabezal y el motor.
	1. Polea desalineada	1. Realinee las poleas del motor y el compresor.
La unidad falla	2. Bandas muy flojas o muy apretadas	2. Ajuste la tensión (Vea la sección Bandas).
	3. Bandas se deslizan	3. Ajuste la tensión o reemplace la banda (Vea la sección Bandas).
	4. Polea oscila	4. Chequee si el cigüeñal, la chavetera o el diámetro interno de las poleas se han desgastado debido al uso con las poleas flojas. Chequee las poleas y el cigüeñal a ver si están doblados.
	1. El motor está sobrecargado	1. Haga que un electricista calificado chequee el motor y el alambrado y siga sus recomendaciones. Chequee el voltaje de las conexiones del motor.
La unidad falla	2. Lubricación inadecuada	2. Vea la sección de LUBRICACION, en Ensamblaje.
	3. Bajo nivel de aceite	3. Médale el aceite. Añádale aceite si es necesario.
	4. Válvula de chequeo defectuosa	4. Reemplácela.

Guía de Resolución de Problemas (Continuación)

PROBLEMA	CAUSA	SOLUCIÓN
Ruido excesivo	1. Las poleas del motor o el compresor están flojas	1. Es muy común que el compresor haga mucho ruido debido a que las poleas estén flojas. Apriételes todos los pernos y tornillos.
	2. La caja del cigüeñal necesita aceite	2. Médale el aceite; si le falta aceite, chequee a ver si los cojinetes se dañaron. El aceite contaminado puede ocasionar el desgaste excesivo.
	3. La biela está desgastada	3. Reemplace la biela.
	4. El buje del pasador del pistón está desgastado	4. Desmonte los pistones del compresor y revíselos a ver si están muy desgastados. Reemplace los pistones o los pasadores si están muy desgastados.
	5. Los cojinetes están desgastados	5. Reemplace los cojinetes desgastados y cámbiele el aceite.
	6. El pistón está golpeando la placa de la válvula	6. Desmonte la culata del compresor y la placa de la válvula y revíselas a ver si hay depósitos de carbón u otros desperdicios en el pistón. Coloque la culata y la placa de la válvula y use un empaque nuevo.
	7. La válvula de chequeo hace ruido	7. Reemplácela.
Presencia de aceite en el aire expulsado	1. Los anillos del pistón están desgastados	1. Reemplace los anillos.
	2. La entrada de aire del compresor está restringida	2. Limpie el filtro. Chequee a ver si hay otras restricciones en la entrada de aire.
	3. El respiradero está restringido	3. Limpie el respiradero y chequeelo a ver si está funcionando adecuadamente.
	4. Exceso de aceite en el compresor	4. Drene el aceite hasta alcanzar el nivel marcado "full" (lleno).
	5. Usó aceite de viscosidad incorrecta	5. Use aceite sin-detergente SAE 30 (ISO 100).
	6. La biela está desalineada	6. Reemplace la biela.

Para Ordenar Repuestos o Asistencia Técnica, Sírvase Llamar al Distribuidor Más Cercano a Su Domicilio

Sírvase darnos la siguiente información:

- Número del modelo
- Código impreso
- Descripción y número del repuesto según la lista de repuestos

Dirija toda la correspondencia a:

Campbell Hausfeld
Attn: Customer Service
100 Production Drive
Harrison, OH 45030 U.S.A.

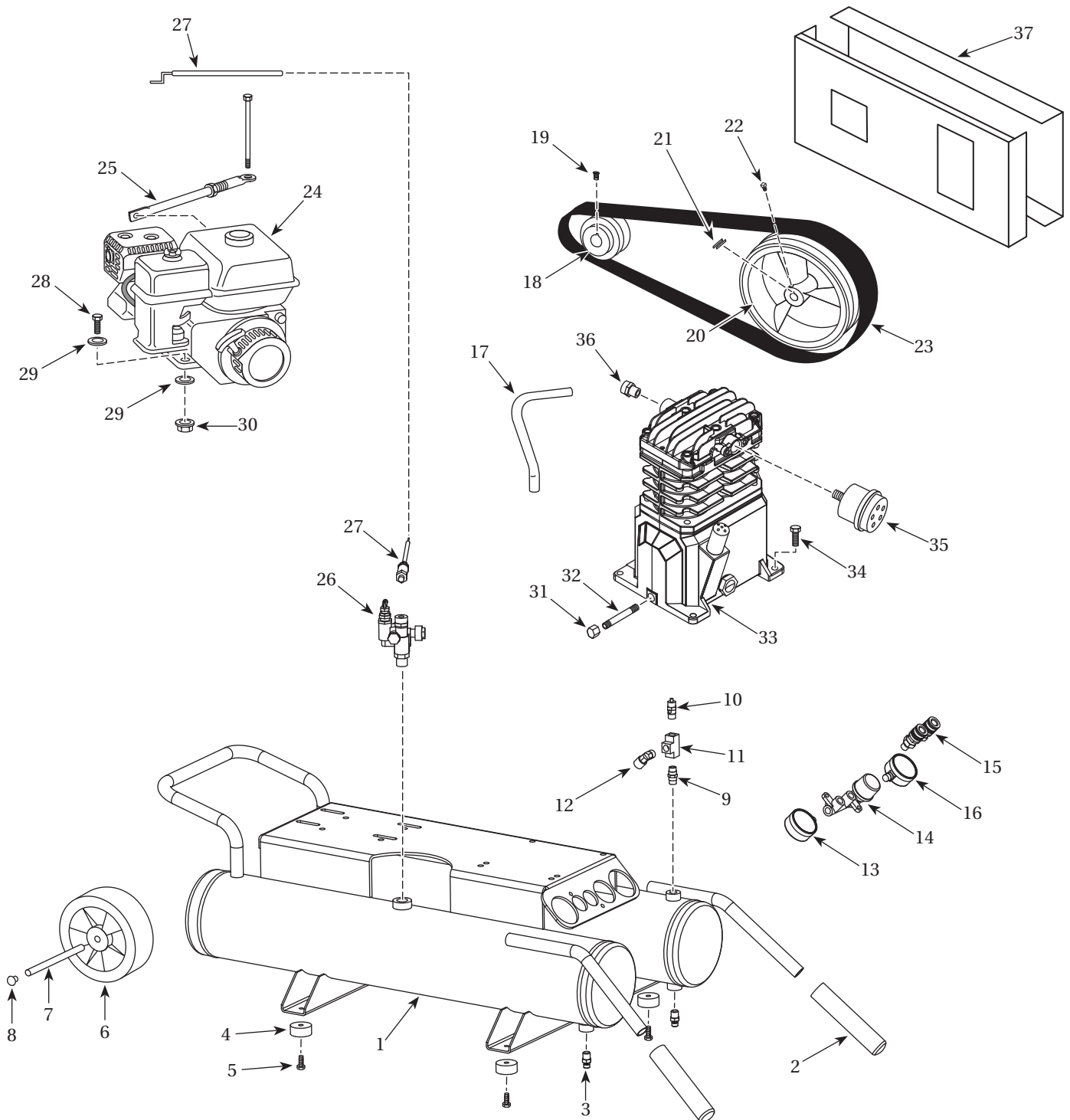


Figura 12 – Ilustración de Piezas para Reparaciones para el Modelo CE200000

Lista de Repuestos

Número de Referencia	Descripción	Número del Repuesto	Ctd.
1	Tanque	AR052200CG	1
2	Asa del mango	ST160000AV	2
3	Válvula de drenaje	D-1403	2
4	Pata de goma	ST158300AV	4
5	Tornillo	ST116400AV	4
6	Rueda neumática de 2,54 cm (10 pulg.)	WA005501AV	1
7	Eje	AA021800AV	1
8	Tapón	ST073613AV	2
9	Niple	HF002401AV	1
10	Valvula de seguridad ASME	V-215108AV	1
11	Acople en T	ST183700AV	1
12	Acople de codo	ST119704AV	2
13	Manómetro, izquierda	GA016705AV	1
14	Regulador	WL017600AV	1
15	Acoplador	HF203300AV	2
16	Manómetro, derecha	GA016709AV	1
17	Tubo de descarga	ST186600AV	1
18	Polea	PU015400AV	1
19	Tornillo cuadrado	ST012200AV	1
20	Volante	PU015900AV	1
21	Llave	No disponible	1
22	Tornillo fijador	No disponible	1
23	Correa	BT023100AV	1
24	Motor	NG002502AV	1
25	Abrazadera	BG208800AJ	1
26	Descarga del regulador	ST171400AV	1
27	Control del regulador	CV006412AV	1
28	Tornillo hex	ST070625AV	4
29	Arandela	ST011200AV	8
30	Tuerca de seguridad	AL014000AV	4
31	Tapa del drenaje de aceite	ST150100AV	1
32	Extensión del drenaje de aceite	ST083800AV	1
33	Cabezal	VT470000AV	1
34	Tornillo	ST070827AV	4
35	Ensamblaje del filtro	WL026100AV	1
36	Ensamblaje de compresión	ST159001AJ	1
37	Ensamblaje de la protección de la correa	BG220200AJ	1

Para Ordenar Repuestos o Asistencia Técnica, Sírvase Llamar al Distribuidor Más Cercano a Su Domicilio

Sírvase darnos la siguiente información:

- Número del modelo
- Código impreso
- Descripción y número del repuesto según la lista de repuestos

Dirija toda la correspondencia a:

Campbell Hausfeld
Attn: Customer Service
100 Production Drive
Harrison, OH 45030 U.S.A.

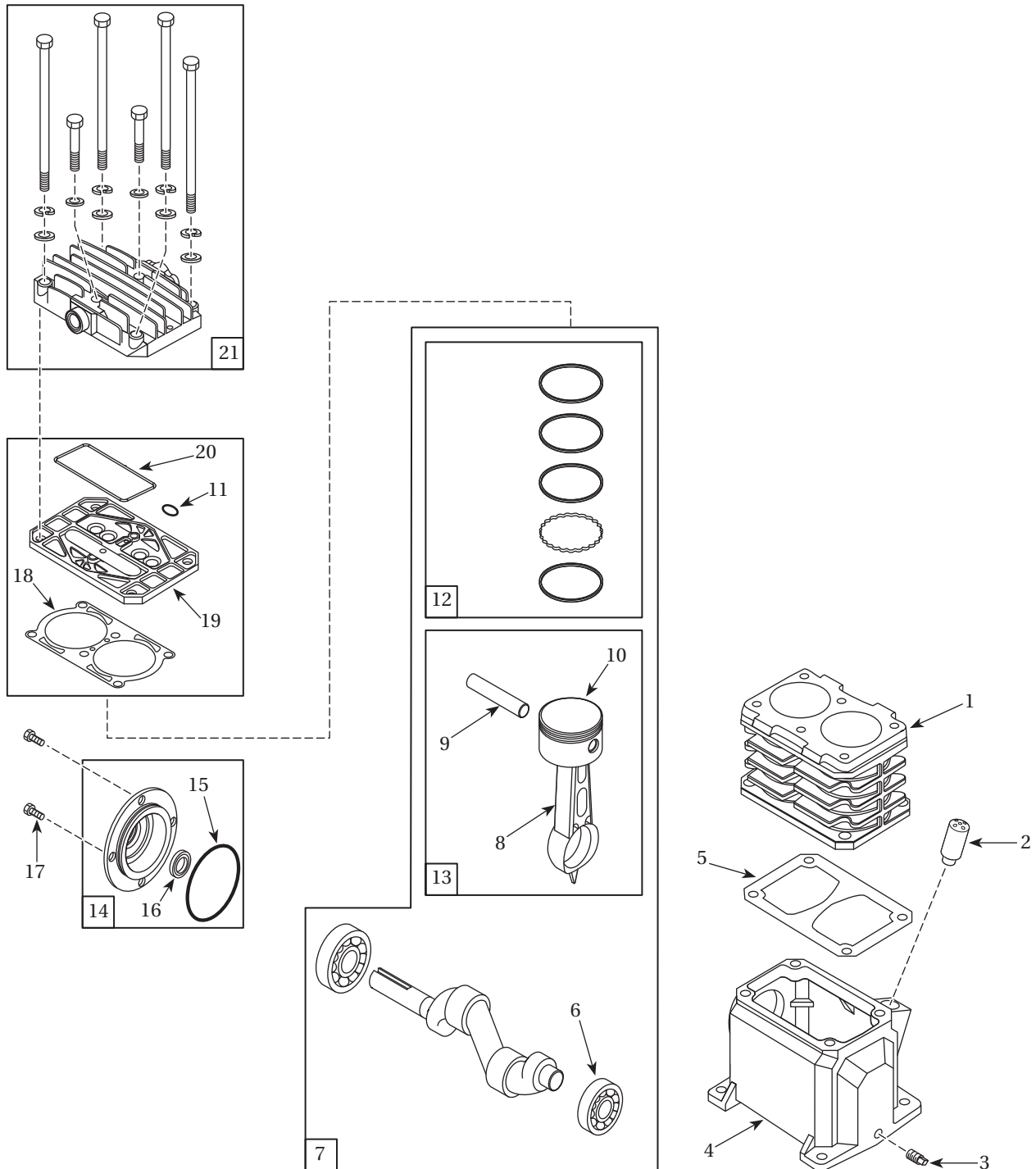


Figura 13 – Ilustración de Piezas para Reparaciones para la Bomba

Lista de Repuestos

Número de Referencia	Descripción	Número del Repuesto	Ctd.
1	Cilindro	VT040915AV	1
2	Respirador	VH901100AV	1
3	Tapón del drenaje del aceite, 2 mm (1/8 inch) NPT	ST022300AV	1
4	Caja del cigüeñal	VT040300AG	1
5	Empaque de la caja del cigüeñal	▲	1
6	Balero	ST084202AV	2
7	Ensamblaje del cigüeñal	VT040650AJ	1
8	Varilla de conexión	VT040100AG	2
9	Pasador del pistón	VS001400AV	2
10	Pistón	TQ011900AG	2
11	Anillo en O	VT036700AV	1
12	Juego de anillos del pistón	VT911200AV	1
13	Biela y ensamblaje del pistón	VT042900AV	1
14	Ensamblaje de la tapa del balero	VT040200AJ	1
15	Anillo en O	▲	1
16	Sello de lubricación	ST129700AV ▲	1
17	Tornillo M6-1.00 x 10 cap	—	4
18	Empaque del cilindro	▲	1
19	Ensamblaje de la placa para válvulas	VT491100AV	1
20	Empaque de la placa para válvulas	▲	1
21	Tapa del cilindro y sujetadores	TQ900800AJ	1
22 *	Mirilla de aceite con anillo en O	ST191700AV	1
JUEGOS DE REPUESTOS			
▲	Juego de empaques	VT470900AJ	1
*	Artículo que no se muestra		

Recordatorio: ¡Guarde su comprobante de compra con fecha para fines de la garantía! Adjúntela a este manual o archívela en lugar seguro.

Garantía Limitada

1. DURACION: A partir de la fecha de compra por el comprador original tal como se especifica a continuación: Tres (3) Años.
 2. QUIEN OTORGA ESTA GARANTIA (EL GARANTE: Campbell Hausfeld / The Scott Fetzer Company 100 Production Drive, Harrison, Ohio 45030 Teléfono: (800) 543-6400.
 3. QUIEN RECIBE ESTA GARANTIA (EL COMPRADOR): El comprador original (que no sea un revendedor) del producto Campbell Hausfeld.
 4. PRODUCTOS CUBIERTOS POR ESTA GARANTIA: Este compresor de aire CE2000.
 5. COBERTURA DE LA GARANTIA: Los defectos substanciales de material y fabricación que ocurran dentro del período de validez de la garantía.
 6. LO QUE NO ESTA CUBIERTO POR ESTA GARANTIA:
 - A. Las garantías implícitas, incluyendo aquellas de comercialidad e idoneidad para fines particulares, están limitados a lo especificado en el PARRAFO DE DURACION. En algunos estados no se permiten limitaciones a la duración de las garantías implícitas, por lo tanto, en tales casos esta limitación no es aplicable.
 - B. CUALQUIER PERDIDA DAÑO INCIDENTAL, INDIRECTO O CONSECUENTE QUE PUEDA RESULTAR DE UN DEFECTO, FALLA O MALFUNCIONAMIENTO DEL PRODUCTO CAMPBELL HAUSFELD. En algunos estados no se permite la exclusión o limitación de daños incidentales o consecuentes, por lo tanto, en tales casos esta limitación o exclusión no es aplicable
 - C. Cualquier falla que resulte de un accidente, abuso, negligencia o incumplimiento de las instrucciones de funcionamiento y uso indicadas en el (los) manual(es) que se adjunta(n) al compresor.
 - D. Servicio previo a la entrega, p. ej. ensamblado, aceite o lubricantes y ajuste.
 - E. Artículos o servicio que se requieren normalmente para mantener el producto, p. ej. lubricantes, filtros y juntas, etc.
 - F. Los motores de gasolina están específicamente excluidos de la cobertura de esta garantía limitada. El comprador debe seguir las cláusulas de la garantía otorgada por el fabricante del motor de gasolina que se suministra con el producto.
 - G. Artículos adicionales no cubiertos bajo esta garantía:
 1. Todos los Compresores
 - a. Cualquier componente dañado durante el envío o cualquier daño ocasionado por haber instalado u operado la unidad bajo condiciones contrarias a lo indicado en las instrucciones para instalar u operar la unidad o daños ocasionados por el contacto con herramientas o los alrededores.
 - b. Daños del cabezal o las válvulas ocasionados por la lluvia, humedad excesiva, agentes corrosivos u otros contaminantes.
 - c. Daños de apariencia que no afecten el funcionamiento del compresor.
 - d. Tanques oxidados, incluyendo pero no limitado al óxido debido al drenaje inadecuado u agentes corrosivos en el ambiente.
 - e. Motores eléctricos, válvulas de retención e interruptores de presión.
 - f. Llaves de drenaje
 - g. Daños debidos al alambrado incorrecto o conexión a circuitos con voltaje inadecuados para la unidad.
 - h. Otros artículos no enumerados pero considerados de desgaste general.
 - i. Presostatos, controles de flujo de aire y válvulas de seguridad cuyos parametros fijados de fábrica se modifiquen.
 2. Compresores lubricados
 - a. Daños del cabezal o las válvulas debidos al uso de aceites no especificados.
 - b. Daños del cabezal o las válvulas debidos a cualquier contaminación del aceite o por no haber seguido las instrucciones de lubricación.
 3. Compresores con bandas/ de accionamiento directo/ motores de gasolina
 - a. Bandas
 - b. Daños de los anillos debido al mantenimiento inadecuado del filtro.
 - c. Ajustes manuales de los instrumentos de carga/descarga y válvula de estrangulación.
 7. RESPONSABILIDADES DEL GARANTE BAJO ESTA GARANTIA: Reparar o reemplazar, como lo decida el Garante, el compresor o componentes que estén defectuosos, se hayan dañado o hayan dejado de funcionar adecuadamente, durante el período de validez de la garantía
 8. RESPONSABILIDADES DEL COMPRADOR BAJO ESTA GARANTIA:
 - A. Suministrar prueba fechada de compra y la historia de mantenimiento del producto.
 - B. Entregar o enviar los compresores de aire portátiles o componentes al Centro de Servicio autorizado Campbell Hausfeld más cercano. Los gastos de flete, de haberlos, deben ser pagados por el comprador.
 - C. Tener cuidado al utilizar el producto, tal como se indica(n) en el (los) manual(es) del propietario.
 9. CUANDO EFECTUARA EL GARANTE LA REPARACION O REEMPLAZO CUBIERTO BAJO ESTA GARANTIA: La reparación o reemplazo dependerá del flujo normal de trabajo del centro de servicio y de la disponibilidad de repuestos.
- Esta garantía limitada es válida sólo en los EE.UU., Canadá y México y otorga derechos legales específicos. Usted también puede tener otros derechos que varían de un Estado a otro. o de un país a otro.
-