

Service Truck Air Compressors



Models CE7002, CE7003, CE7004

Table of Contents

Introduction1
 Safety Guidelines2
 Safety Symbols2
 Important Safety Information2
 Getting To Know Your Compressor4
 Unpacking5
 Installation5
 Operation8
 Maintenance9
 Troubleshooting Guide11
 Limited Warranty14

Introduction

Campbell Hausfeld Service Truck air compressors feature two-stage, cast iron, oil-lubricated pumps mounted on a 30 gallon tank. Ideal for service trucks, welding/mechanic trucks, or work site locations without electric power.

SERVICE TRUCK SERIES MODELS INCLUDE:

- Compressor pump
- ASME air receiver with safety valve
- Gas engine with electric start and alternator
- Pilot valve control

ENGINE BRAND BY MODEL:

- CE7002 - Kohler® engine
- CE7003 - Honda® engine
- CE7004 - Subaru® engine



Quick Reference	
RECOMMENDED OIL (2 OPTIONS)	
Single viscosity SAE 30 ISO100 nondetergent compressor oil. Available from Campbell Hausfeld, part number ST126701AV.	
10W30 synthetic oil such as Mobil 1®.	
OIL CAPACITY	
CE7002	2 quarts
CE7003	2 quarts
CE7004	2 quarts

RETAIN THIS INFORMATION FOR FUTURE REFERENCE
Serial Number:
Model Number:
Date of Purchase:

Safety Guidelines

This manual contains information that is very important to know and understand. This information is provided for SAFETY and to PREVENT EQUIPMENT PROBLEMS. To help recognize this information, observe the following symbols.

⚠ DANGER *Danger indicates an imminently hazardous situation which, if not avoided, WILL result in death or serious injury.*

⚠ WARNING *Warning indicates a potentially hazardous situation which, if not avoided, COULD result in death or serious injury.*

⚠ CAUTION *Caution indicates a potentially hazardous situation which, if not avoided, MAY result in minor or moderate injury.*

NOTICE *Notice indicates important information, that if not followed, may cause damage to equipment.*

IMPORTANT: Information that requires special attention.

Safety Symbols

The following Safety Symbols appear throughout this manual to alert you to important safety hazards and precautions.



Wear Eye and Mask Protection



Read Manual First



Risk of Fire



Risk of Moving Parts



Risk of Hot Parts



Risk of Explosion



Risk of Fumes



Risk of Pressure



Risk of Electrocutation

Please read and save these instructions. Read carefully before attempting to assemble, install, operate or maintain the product described. Protect yourself and others by observing all safety information. Failure to comply with instructions could result in personal injury and/or property damage! Retain instructions for future reference.

Important Safety Information

This manual contains important safety, operational and maintenance information. If you have any questions, please call 1-888-606-5587 for customer assistance.

Since the air compressor and other components (material pump, spray guns, filters, lubricators, hoses, etc.) used make up a high pressure pumping system, the following safety precautions must be observed at all times:

CALIFORNIA PROPOSITION 65

⚠ WARNING *This product or its power cord may contain chemicals known to the State of California to cause cancer and birth defects or other reproductive harm. Wash hands after handling.*

⚠ WARNING *You can create dust when you cut, sand, drill or grind materials such as wood, paint, metal, concrete, cement, or other masonry. This dust often contains chemicals known to cause cancer, birth defects, or other reproductive harm. Wear protective gear.*



⚠ DANGER

Breathable Air Warning

This compressor/pump is not equipped and should not be used “as is” to supply breathing quality air. For any application of air for human consumption, the air compressor/pump will need to be fitted with suitable in-line safety and alarm equipment. This additional equipment is necessary to properly filter and purify the air to meet minimal specifications for Grade D breathing as described in Compressed Gas Association Commodity Specification G 7.1, OSHA 29 CFR 1910.134, and/or Canadian Standards Associations (CSA).

DISCLAIMER OF WARRANTIES

In the event the compressor is used for the purpose of breathing air application and proper in-line safety and alarm equipment is not simultaneously used, existing warranties shall be voided, and Campbell Hausfeld disclaims any liability whatsoever for any loss, personal injury or damage.

GENERAL SAFETY

- ◆ Read all manuals included with this product carefully. Be thoroughly familiar with the controls and the proper use of the equipment.
- ◆ Follow all local electrical and safety codes as well as the United States National Electrical Codes (NEC) and Occupational Safety and Health Act (OSHA).
- ◆ Only persons well acquainted with these rules of safe operation should be allowed to use the compressor.
- ◆ Keep visitors away and NEVER allow children in the work area.
- ◆ Wear safety glasses and use hearing protection when operating the unit.
- ◆ Do not stand on or use the unit as a handhold.
- ◆ Before each use, inspect compressed air system and electrical components for signs of damage, deterioration, weakness or leakage. Repair or replace defective items before using.
- ◆ Check all fasteners at frequent intervals for proper tightness.



Important Safety Information (Continued)

▲ WARNING Motors, electrical equipment and controls can cause electrical arcs that will ignite a flammable gas or vapor. Never operate or repair in or near a flammable gas or vapor. Never store flammable liquids or gases in the vicinity of the compressor.



▲ WARNING Never operate compressor without Carbon monoxide can cause severe nausea, fainting or death. Do not operate unit inside a poorly ventilated area.



▲ WARNING Never operate compressor without a beltguard. This unit can start automatically without warning. Personal injury or property damage could occur from contact with moving parts.



- ◆ Do not wear loose clothing or jewelry that will get caught in the moving parts of the unit.

▲ CAUTION Compressor parts may be hot even if the unit is stopped.



- ◆ Keep fingers away from a running compressor; fast moving and hot parts will cause injury and/or burns.
- ◆ If the equipment should start to vibrate abnormally, STOP the engine/motor and check immediately for the cause. Vibration is generally an indication of trouble.

▲ WARNING NEVER refuel a running or hot engine. Explosive fuel can cause fires and severe burns. Avoid overfilling fuel tank.



- ◆ Check fuel level before starting the engine. Wipe off any spilled gas before starting the engine.

▲ DANGER Gasoline vapor is highly flammable. Refill outdoors or only in well ventilated areas. Do not store, spill or use gasoline near an open flame or heat devices such as a stove, furnace, or water heater, which utilize a pilot light, or any device that can create a spark. If gasoline is accidentally spilled, move unit away from the spill area and avoid creating any source of ignition until gasoline vapors have dissipated.

- ◆ To reduce fire hazard, keep engine/motor exterior free of oil, solvent, or excessive grease.

▲ WARNING This compressor is equipped with an ASME code safety valve with a pressure setting of 200 psi for two-stage compressors or 150 psi for single-stage compressors. Should this ASME code safety valve require replacement, the replacement valve must have the same flow and pressure ratings as the original valve to protect the pressurized components from bursting. The flow and pressure ratings can be found on the valve. NEVER REMOVE AND REPLACE THIS SAFETY VALVE WITH A PLUG. The safety valve in the intercooler of a two-stage compressor does not provide system protection.

▲ WARNING Maximum operating pressure is 175 psi for two-stage compressors and 125 psi for single stage compressors. Do not operate with pressure switch or pilot valves set higher than 175 psi (two-stage) or 125 psi (single stage).

- ◆ Never attempt to adjust ASME safety valve. Keep safety valve free from paint and other accumulations.

- ◆ Do not tamper with governor setting on engine. Overspeeding the unit severely shortens engine life and may also be very hazardous.

▲ WARNING Never attempt to repair or modify a tank! Welding, drilling or any other modification will weaken the tank resulting in damage from rupture or explosion. Always replace worn, cracked or damaged tanks.



NOTICE

Drain liquid from tank daily.

- ◆ Tanks rust from moisture build-up, which weakens the tank. Make sure to drain tank regularly and inspect periodically for unsafe conditions such as rust formation and corrosion.
- ◆ Fast moving air will stir up dust and debris which may be harmful. Release air slowly when draining moisture or depressurizing the compressor system.
- ◆ STOP the engine whenever leaving the work area, before cleaning, making repairs or inspections. When cleaning, repairing or inspecting, make certain all moving parts have stopped. Disconnect the spark plug wire and keep the wire away from the plug to prevent accidental starting.

SPRAYING PRECAUTIONS

▲ WARNING Do not spray flammable materials in vicinity of open flame or near ignition sources including the compressor unit.



- ◆ Do not smoke when spraying paint, insecticides, or other flammable substances.
- ◆ Use a face mask/respirator when spraying and spray in a well ventilated area to prevent health and fire hazards.
- ◆ Do not direct paint or other sprayed material at the compressor. Locate compressor as far away from the spraying area as possible to minimize overspray accumulation on the compressor.
- ◆ When spraying or cleaning with solvents or toxic chemicals, follow the instructions provided by the chemical manufacturer.



SAVE THESE INSTRUCTIONS DO NOT DISCARD

The DANGER, WARNING, CAUTION, and NOTICE notifications and instructions in this manual cannot cover all possible conditions and situations that may occur. It must be understood by the operator that caution is a factor which cannot be built into this product, but must be supplied by the operator.

Getting To Know Your Compressor

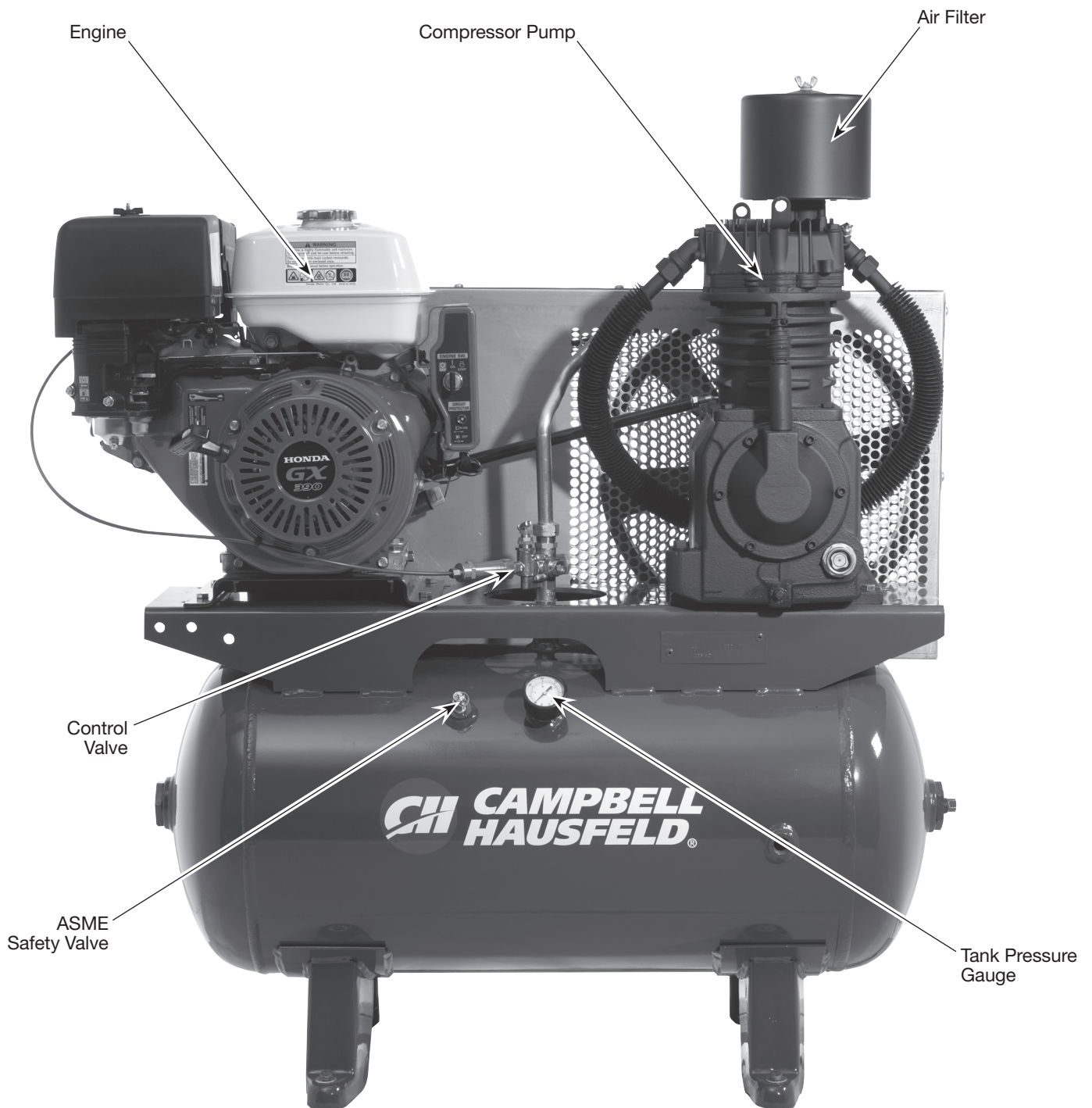


Figure 1 - Service Truck Series Components

Unpacking

CAUTION Do not lift or move unit without appropriately rated equipment. Be sure the unit is securely attached to lifting device used. Do not lift unit by holding onto tubes or coolers. Do not use unit to lift other attached equipment.

After unpacking the unit, inspect carefully for any damage that may have occurred during transit. Check for loose, missing or damaged parts. Check to be sure all supplied accessories are enclosed with the unit. In case of questions, damaged or missing parts, please call 1-888-606-5587 for customer assistance.

WARNING Do not operate unit if damaged during shipping, handling or use. Damage may result in bursting and cause injury or property damage.

REQUIRED ITEMS - NOT INCLUDED

- ◆ Oil
- ◆ Vibration Isolator Pads

Installation

WARNING Disconnect the battery cable on models with electric start and release all pressure from the system before attempting to install, service, relocate or perform any maintenance.



CAUTION Do not lift or move unit without appropriately rated equipment. Be sure the unit is securely attached to lifting device used. Do not lift unit by holding onto tubes or coolers. Do not use unit to lift other attached equipment.

CAUTION Never use the wood shipping skids for mounting the compressor.

PICKING THE LOCATION

CAUTION Do not locate the compressor air inlet near steam, paint spray, sandblast areas or any other source of contamination.

The compressor should be installed on a foundation of sufficient strength and rigidity to support it without vibrating. It is recommended to use shims under the mounting feet to level the compressor, to prevent “rocking” and excessive vibration. To reduce vibration, isolator pads are recommended. When isolators are used, install a flexible coupling between the tank and any pipe permanently attached to the tank.

CAUTION When permanently installing compressor for stationary use or mobile use such as on a truck, avoid overstressing a mounting foot by “pulling the foot down” to the floor. This may cause eventual failure.

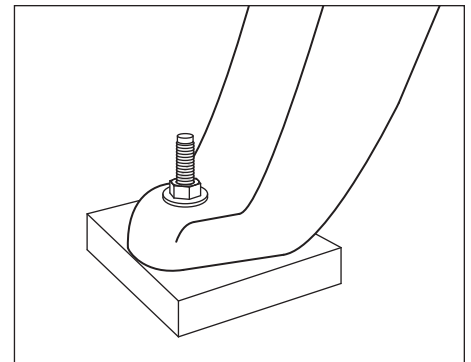


Figure 2 - Isolator pad

Installation (Continued)

INSTALLING A SHUT-OFF VALVE

A shut-off valve should be installed on the discharge port of the tank to control the air flow out of the tank. The valve should be located between the tank and the piping system.

As shown in Figure 3, assemble the outlet valve to the pipe nipple. Install assembled valve in either end of the tank. Use thread sealant tape on threads of pipe nipple to prevent air leaks.

⚠ WARNING *Never install a shut-off valve between the compressor pump and the tank. Personal injury and/or equipment damage may occur. Never use reducers in discharge piping.*

When creating a permanently installed system to distribute compressed air, find the total length of the system and select pipe size from the chart. Bury underground lines below the frost line and avoid pockets where condensation can gather and freeze. Apply air pressure to the piping installation and make sure all joints are free from leaks BEFORE underground lines are covered. Before putting the compressor into service, find and repair all leaks in the piping, fittings and connections.

PIPING

⚠ WARNING *Never use plastic (PVC) pipe for compressed air. Serious injury or death could result.*

Any tube, pipe or hose connected to the unit must be able to withstand the temperature generated and retain the pressure. All pressurized components of the air system must have a pressure rating of 200 psi or higher. Incorrect selection and installation of any tube, pipe or hose could result in bursting and injury. Connect piping system to tank using the same size fitting as the discharge port.

STARTER SOLENOID (UNIT WITH ELECTRIC START ONLY)

1. Disconnect negative cable from battery terminal before attaching wires to the solenoid.
2. Remove the 1/4 inch nut from the left stud. Do not make contact with the right stud to avoid possible engine ignition.
3. Attach the positive (red) battery cable to the left stud and reinstall the 1/4 inch nut. Tighten the nut one full turn after it is finger tight (See Figure 5).
4. Attach the negative (black) battery cable to a convenient ground. The best place is at the engine mounting bolt. Other secure places on the engine are suitable.
5. Reattach the negative cable to the battery.

NOTICE *Failure to install appropriate water/oil removal equipment may result in damage to machinery or workpiece.*

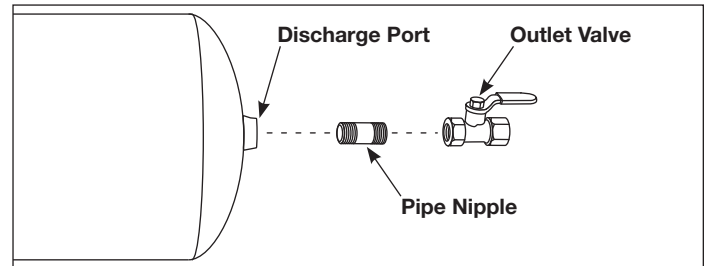


Figure 3 - Shut-off Valve Install

MINIMUM PIPE SIZE FOR COMPRESSED AIR LINE

CFM	Length Of Piping System			
	25 feet	50 feet	100 feet	250 feet
10	1/2 inch	1/2 inch	3/4 inch	3/4 inch
20	3/4 inch	3/4 inch	3/4 inch	1 inch
40	3/4 inch	1 inch	1 inch	1 inch

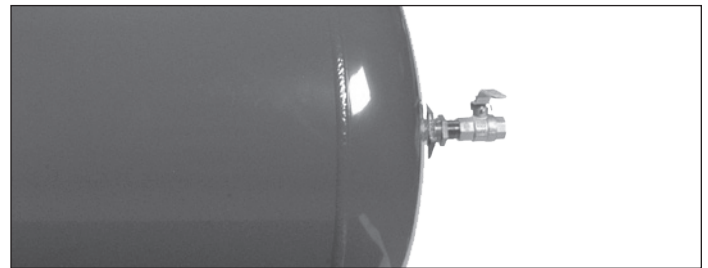


Figure 4 - Shut-off Valve

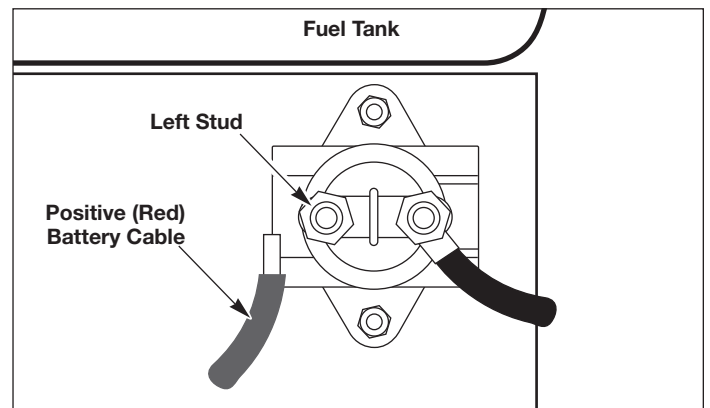


Figure 5 - Starter Solenoid

Installation (Continued)

LUBRICATION

▲ CAUTION *THIS UNIT CONTAINS NO OIL. Before operating compressor, fill to the center of the sight gauge (see Figure 6).*

▲ CAUTION *Using any other type of oil may shorten pump life and damage valves.*

Recommended Oil (2 Options)

- Single viscosity SAE 30 ISO100 non-detergent compressor oil. Available from Campbell Hausfeld, part number ST126701AV.
- 10W30 synthetic oil such as Mobil 1®.

Oil Capacity

CE7000 Series..... 2 quarts

Fill the pump with oil to the center of the sight gauge using oil fill opening (see Figure 6). **Do NOT fill the pump through the breather cap opening as this may cause oil to leak and spray out during operation.**

NOTE: Some residual oil may still be in the pump from factory testing leaving a thin coat on the sight gauge; however, there is not enough oil to operate the unit.

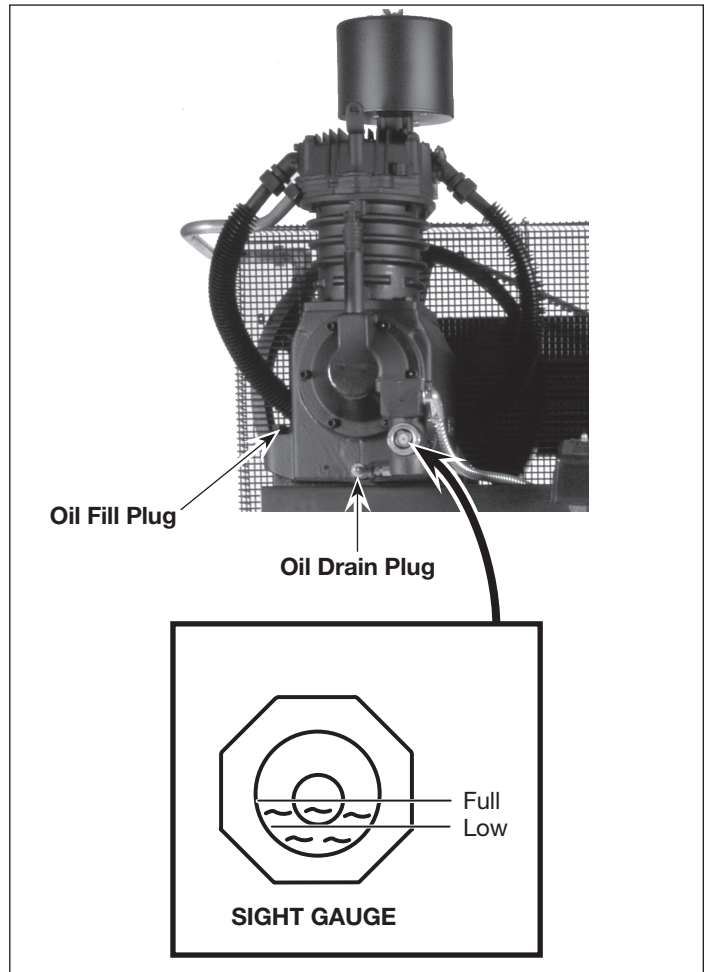


Figure 6

Operation

NOTICE

Before starting the compressor, thoroughly read all component instruction manuals, especially the engine manual.

⚠ DANGER

A belt guard must be installed before operating the unit.



GETTING STARTED

1. Do not operate compressor higher than the rated speed. Excessive engine speeds can damage the compressor and engine.

⚠ CAUTION

Do not disconnect battery from engine ignition while compressor is running (models w/electric start only).

2. Check the oil level in the compressor and engine crankcase and add oil if required.
3. Fill fuel tank with clean, fresh, regular unleaded (or regular leaded if not available) grade of automotive gasoline. Do not mix oil with gasoline.
4. Before starting the compressor, put toggle lever in Unload position. After engine reaches full speed, flip toggle lever to Loaded position (See Figure 7).
5. When putting unit into service for the first time, the compressor should be run continuously for one hour to allow proper seating of the piston rings.
 - a. Open drain cock on the tank and run the compressor unloaded for 60 minutes (See Figure 8).
 - b. Turn off the compressor and close drain cock. The compressor is now ready for use.
6. On cold weather start-up, run unit unloaded for 10-20 minutes to warm up compressor and engine.
7. Some vibration is common for the first 2 to 3 hours of operation. This vibration will decrease after the belt and pulley seat.

If the compressor is run under humid conditions for short periods of time, the humidity will condense in the crankcase and cause the oil to look creamy. Oil contaminated by condensed water will not provide adequate lubrication and must be changed immediately. Using contaminated oil will damage bearings, pistons, cylinders and rings and is not covered under warranty. To avoid water condensation in the oil, periodically run the compressor with tank pressure at 20 psi under maximum pressure setting by opening the drain cock or an air valve connected to the tank or hose. Run the pump for an hour at a time at least once a week or more often if the condensation reoccurs.

NOTICE

Change oil after first 50 hours of operation.

CONTINUOUS RUN OPERATION

Continuous run operation is designed for gasoline engine units to ensure the required air pressure is always available and to eliminate the need for frequent starting. The engine and the pump continuously run to keep the air tank at maximum operating pressure.

IDLE DOWN/UNLOADING

This unit is equipped with idle down/unloading control. To check operation:

1. Close outlet valve (See Figure 9).
2. Start compressor and allow pressure to reach proper limit of control valve, which is set at 175 psi for 2 stage compressor. At this point, the compressor should unload through the breather bushing on control valve and the engine should idle down.
3. Open outlet valve and allow pressure in tank to drop to lower limit of control valve which is preset at 145 psi (2 stage). At this point the control valve should close allowing the compressor to begin loading the tank instead of discharging through the breather bushing.

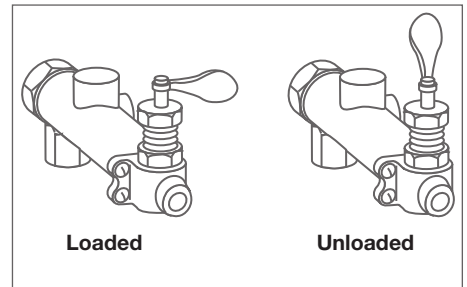


Figure 7 - Control Valve

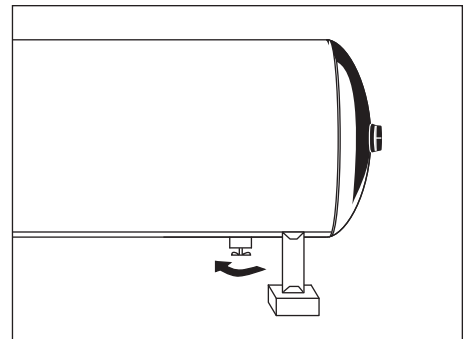


Figure 8 - Manual Tank Drain

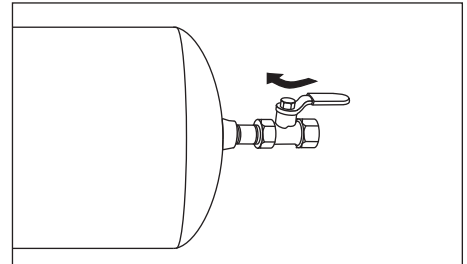


Figure 9

Operation (Continued)

4. Do not alter pressure settings on control valve or governor setting on engine. If lower pressures are required this should be accomplished with a separate pressure regulator after the outlet valve.

Compressor has a maximum operating pressure limit of 175 psi (two stage) and should not be operated beyond this limit.

CRANKCASE BREATHER

During severe operating conditions or initial start-up, some oil may accumulate at the crankcase breather opening. This is normal and will diminish as the pump accumulates run time and rings become fully seated.

Maintenance

⚠ WARNING *Disconnect the battery cable on models with electric start and release all pressure from the system before attempting to install, service, relocate or perform any maintenance.*



In order to maintain efficient operation of the compressor system, check the air filter and oil level before each use. The ASME safety valve should also be checked daily. Pull ring on safety valve and allow the ring to snap back to normal position (See Figure 10). This valve automatically releases air if the tank pressure exceeds the preset maximum. If air leaks after the ring has been released, or the valve is stuck and cannot be actuated by the ring, the ASME safety valve must be replaced.

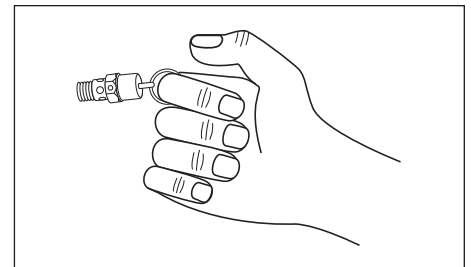


Figure 10

⚠ DANGER *Do not attempt to tamper with the ASME safety valve.*

⚠ DANGER *Never attempt to repair or modify a tank! Welding, drilling or any other modification will weaken the tank resulting in damage from rupture or explosion. Always replace worn, cracked or damaged tanks.*



NOTICE *Drain liquid from tank daily.*

The tank should be carefully inspected at a minimum of once a year. Look for cracks forming near the welds. If a crack is detected, remove pressure from tank immediately and replace.

COMPRESSOR LUBRICATION

Add oil for the pump as required. The oil should be changed every three months or after every 500 hours of operation; whichever comes first.

IMPORTANT: The gasoline engine requires more frequent oil changes. Read engine maintenance instructions for other periodic service requirements not covered here.

AIR FILTER

Never run the compressor pump without an intake air filter nor with a clogged intake air filter. Use compressed air to blow the filter clean. Do not wash or oil the element. If the filter cannot be blown clean, the filter must be replaced. Operating compressor with a dirty filter can cause high oil consumption and increase oil contamination in the discharge air.

INTERCOOLER (TWO-STAGE ONLY)

The intercooler provides cooling to reduce temperature and power consumption.

⚠ WARNING *Intercooler fins are sharp. Always wear gloves and use care when cleaning or working near the intercooler.*

Check the intercooler weekly to ensure all fittings are secure and tight. Blow all dirt, dust and other accumulations from the intercooler fins.

Maintenance (Continued)

COMPONENTS

IMPORTANT: Read engine maintenance instructions for applicable service recommendations.

Turn off all power and use light air pressure to blow dust and foreign material from cylinder head, engine, fan blades, air lines, intercooler and tank on a monthly basis.

Use a soap solution to check entire system for air leakage around fittings, etc. Tighten nuts and capscrews as required.

BELTS

⚠ WARNING *Disconnect the battery cable, then drain the tank to prevent unexpected movement of the unit.*

Check belt tension every 3 months. Adjust belt tension to allow 3/8 inch to 1/2 inch deflection with normal thumb pressure (See Figure 11).

Also, align belts using a straight edge against the face of the flywheel and touching the rim on both sides of the face. The belts should be parallel to the straight edge to ensure proper alignment of the belts (See Figure 12).

STORAGE

If compressor is to be stored for a short period of time, make sure that it is stored in a normal position and in a cool protected area. If the unit is to be stored for more than 30 days, completely drain the engine of fuel and oil. See engine manual for storage instructions.

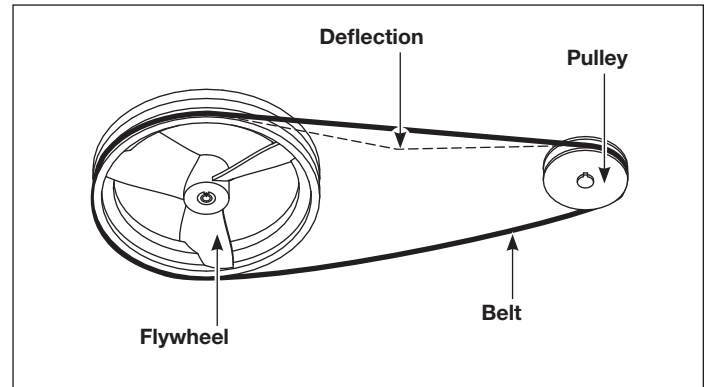


Figure 11 - Belt Deflection

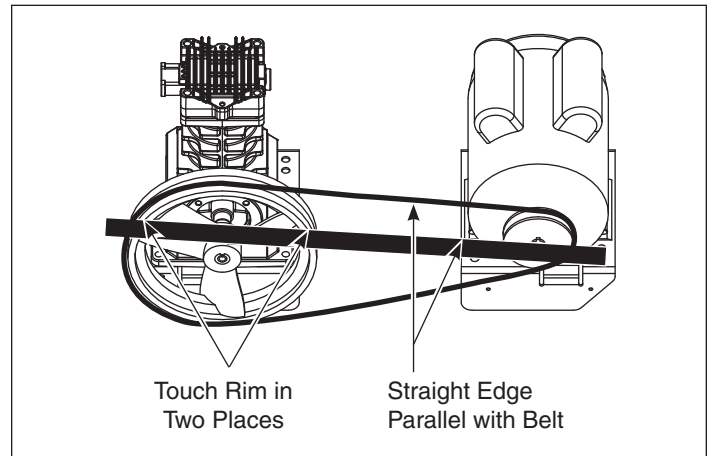


Figure 12 - Belt Alignment

MAINTENANCE SCHEDULE

Operation	Daily	Weekly	Monthly	3 Months
Check Safety Valve	●			
Drain Tank	●			
Check Oil Level	●			
Clean or Change Air Filter	●			
Check Intercooler		●		
Clean Unit Components			●	
Check Belt Tightness				●
Change Oil				●

Troubleshooting Guide

SYMPTOM	CAUSE	SOLUTION
Excessive noise in operation	<ol style="list-style-type: none"> 1. Loose pulley, flywheel, belt, belt guard, cooler, clamps or accessories 2. Lack of oil in crankcase 3. Piston hitting the valve plate 4. Compressor floor mounting loose 5. Defective crankcase 6. Excessive crankcase end play 	<ol style="list-style-type: none"> 1. Tighten. 2. Check for possible damage to bearings, replenish oil. 3. Remove the compressor cylinder head and inspect for foreign matter on top of the piston. Replace with a new gasket and reassemble the head. 4. Tighten. 5. Repair or replace. 6. Adjust and shim properly.
Knock – same cycle as RPM of pump	<ol style="list-style-type: none"> 1. Main bearings 2. Connecting rod bearings 3. Loose flywheel 	<ol style="list-style-type: none"> 1. Replace bearings. 2. Replace rod. 3. Tighten.
Knock occurs while compressor is loading	<ol style="list-style-type: none"> 1. Connecting rod bearings 2. Wrist pins, wrist pin bearings 3. Loose connecting rod nut 	<ol style="list-style-type: none"> 1. Replace rod. 2. Replace complete piston assembly. 3. Tighten.
Milky oil in oil reservoir	Water entering oil reservoir due to compressor operating in high humidity environment	<ol style="list-style-type: none"> a. Pipe air intake to less humid air source. b. Service unit (change oil, clean or replace air cleaner element, drain tank) more often.
Excessive oil consumption	<ol style="list-style-type: none"> 1. Restricted air intake 2. Oil leaks 3. Worn piston rings 4. Wrong oil viscosity 5. Compressor tilted too much 6. Scored cylinder 	<ol style="list-style-type: none"> 1. Clean or replace air filter. 2. Tighten bolts or replace gasket. 3. Replace rings. 4. Drain oil, refill with oil of proper viscosity. See “Lubrication” section. 5. Level compressor. 6. Replace cylinder and rings.
Oil in discharge air	<ol style="list-style-type: none"> 1. Compressor air intake restricted 2. Worn piston rings 3. Excessive oil in compressor 4. Wrong oil viscosity 	<ol style="list-style-type: none"> 1. Clean air filter element and check for other restrictions in the intake system. 2. Replace rings. 3. Drain down to proper level. 4. Check viscosity. See “Lubrication” section.
Compressor vibrates	<ol style="list-style-type: none"> 1. Mounting bolts loose 2. Compressor not properly mounted 3. Pulley and flywheel misaligned 4. Belts loose or mismatched 5. Bent crankshaft 	<ol style="list-style-type: none"> 1. Tighten. 2. Level compressor so that all feet touch the floor before tightening down. Use shims if necessary. 3. Realign. 4. Tighten belts. See “Maintenance” section. 5. Replace crankshaft.
Air blowing out of inlet	Broken inlet valve	Replace valve plate assembly.

Continued on next page

Troubleshooting Guide (Continued)

SYMPTOM	CAUSE	SOLUTION
Insufficient pressure at point of use	<ol style="list-style-type: none"> 1. Leaks or restriction 2. Restricted air intake 3. Slipping belts 4. Service hose or pipe too small 5. Excessive air requirement 6. Broken valve 	<ol style="list-style-type: none"> 1. Check for leaks or restriction in hose or piping. Repair or replace. 2. Clean or replace air filter element. 3. Tighten belts, See “Maintenance” section. 4. Replace with larger hose or pipe. 5. Limit air usage to compressor capacity by using fewer or smaller tools. 6. Replace reed valve assembly.
Tank does not hold pressure when compressor is unloaded	Air leak in system	Locate and repair leak. ▲ DANGER <i>Never attempt to repair or modify a tank</i>
Excessive belt wear	<ol style="list-style-type: none"> 1. Pulley out of alignment 2. Belts too tight 3. Belts too loose 4. Pulley or flywheel wobble 5. Damage in belt groove of pulley or flywheel 	<ol style="list-style-type: none"> 1. Realign motor pulley with compressor flywheel. 2. Adjust tension. See “Maintenance” section. 3. Adjust tension. See “Maintenance” section. 4. Check for worn crankshaft, keyway or pulley bore, resulting from running with loose pulleys. Check for bent crankshaft. 5. File smooth or replace.
Excessive discharge air temperature	<ol style="list-style-type: none"> 1. Dirty cooling surfaces 2. Poor ventilation 3. Blown head gasket 4. Restricted air intake 5. Worn valves 	<ol style="list-style-type: none"> 1. Clean cooling surfaces of cylinder, intercooler and discharge tube. 2. Improve ventilation or relocate compressor. 3. Replace head gasket. 4. Clean or replace air filter element. 5. Replace valve plate assembly.
Tank pressure builds up slowly	<ol style="list-style-type: none"> 1. Dirty air filter 2. Blown cylinder head gasket 3. Worn or broken intake or discharge valves 4. Air leaks 5. Loose belts 6. Speed too slow 	<ol style="list-style-type: none"> 1. Clean or replace filter element. 2. Install new gasket. 3. Install new valve plate assembly 4. Tighten joints 5. Tighten belts. See “Maintenance” section 6. Check speed. See “Performance” chart
Tank pressure builds up quickly on compressor	<ol style="list-style-type: none"> 1. Water in tank 2. Speed too fast 	<ol style="list-style-type: none"> 1. Drain tank. (This should be done DAILY). 2. Check speed. See specifications in replacement parts list.
Compressor continues to build up pressure after unloading pressure is reached	<ol style="list-style-type: none"> 1. Severe air leak in pilot unloader valve 2. Restriction in unloader lines 	<ol style="list-style-type: none"> 1. Check all fittings and lines and replace those which leak. 2. Remove cause of restriction.
Engine stalls	Toggle lever on pilot unloader valve in loaded position	Flip toggle level up into the unload position.
Gasoline engine will not start	Low engine oil. Some engines equipped with low-oil shutdown	Add oil to proper level.
ASME safety valve pops open while compressor is running	<ol style="list-style-type: none"> 1. Wrong unloader valve setting 2. Defective ASME safety valve 	<ol style="list-style-type: none"> 1. Adjust to lower pressure (175 maximum psi for two-stage unit or 125 psi for single stage unit). See Operation section. 2. Replace valve.

Reminder: *Keep your dated proof of purchase for warranty purposes! Attach it to this manual or file it for safekeeping.*

Limited Warranty

1. **DURATION:** The compressor pump and air receiver is warranted for three years from the date of purchase by the original purchaser. The balance of the compressor package is warranted for one year from the date of purchase by the original purchaser.
2. **WHO GIVES THIS WARRANTY (WARRANTOR):** Campbell Hausfeld / Scott Fetzer Company, 100 Production Drive, Harrison, Ohio, 45030, Telephone: 1-888-606-5587
3. **WHO RECEIVES THIS WARRANTY (PURCHASER):** The original purchaser (other than for purposes of resale) of the Campbell Hausfeld air compressor.
4. **WHAT PRODUCTS ARE COVERED BY THIS WARRANTY:** Campbell Hausfeld CE7000, CE8000 and CE9000 Series air compressors.
5. **WHAT IS COVERED UNDER THIS WARRANTY:** Parts and Labor to remedy defects in material and/or workmanship with the exceptions noted below.
6. **WHAT IS NOT COVERED UNDER THIS WARRANTY:**
 - A. Implied warranties, including those of merchantability and FITNESS FOR A PARTICULAR PURPOSE ARE LIMITED FROM THE DATE OF ORIGINAL PURCHASE AS STATED IN THE DURATION. Some States do not allow limitations on how long an implied warranty lasts, so the above limitations may not apply to you.
 - B. ANY INCIDENTAL, INDIRECT, OR CONSEQUENTIAL LOSS, DAMAGE, OR EXPENSE THAT MAY RESULT FROM ANY DEFECT, FAILURE, OR MALFUNCTION OF THE CAMPBELL HAUSFELD PRODUCT. Some States do not allow the exclusion or limitations of incidental or consequential damages, so the above limitation or exclusion may not apply to you.
 - C. Any failure due to:
 1. Accident or purchaser's abuse
 2. Improper installation
 3. Equipment that has not been operated or maintained in accordance with Campbell Hausfeld's instructions as detailed in the operating manual provided with the compressor.
 4. Equipment that has been repaired or modified without authorization from Campbell Hausfeld.
 - D. Pre-delivery service, i.e. assembly, oil or lubricants, and adjustment.
 - E. The effects of normal wear and tear.
 - F. Gasoline engines and components are expressly excluded from coverage under this limited warranty. The Purchaser must comply with the warranty given by the engine manufacturer which is supplied with the product.
 - G. Equipment that has been damaged in transit.
7. **RESPONSIBILITIES OF WARRANTOR UNDER THIS WARRANTY:** Repair or replace, at Warrantor's option, compressor or component which is defective, has malfunctioned and/or failed to conform within duration of the warranty period. Warranted repairs will be made at the Purchaser's location.
8. **RESPONSIBILITIES OF PURCHASER UNDER THIS WARRANTY:**
 - A. Provide dated proof of purchase and maintenance records.
 - B. Use reasonable care in the operation and maintenance of the products as described in the owner's manual(s).
 - C. Repairs requiring overtime, weekend rates, or anything beyond the standard manufacturer warranty repair labor reimbursement rate.
 - D. Time required for any security checks, safety training, or similar for service personnel to gain access to facility.
 - E. Location of unit must have adequate clearance for service personnel to perform repairs and easily accessible.
9. **WHEN WARRANTOR WILL PERFORM REPAIR OR REPLACEMENT UNDER THIS WARRANTY:** Repair or replacement will be scheduled and serviced according to the normal work flow at the servicing location, and depending on the availability of replacement parts.

This Limited Warranty applies in the U.S., Canada and Mexico only and gives you specific legal rights. You may also have other rights which vary from State to State or country to country.

Compresseurs d'air pour Camion de Service



Table des Matières

Modèles CE7002, CE7003, CE7004

Introduction F1
 Directives de sécurité F2
 Symboles de sécurité F2
 Information importante
 de sécurité F2
 Apprendre à connaître
 votre compresseur F4
 Déballage F5
 Installation F5
 Fonctionnement F8
 Maintenance F9
 Guide de dépannage F11
 Garantie Limitée F14



Introduction

Les compresseurs d'air pour camion de service Campbell Hausfeld sont dotés de deux étages en fonte et de pompes lubrifiées à l'huile sur un réservoir de 30 gallons. Ils sont parfaits pour les camions de service, les camions de soudure ou de mécanicien, mais aussi dans des lieux de travail sans alimentation électrique.

CONTENU DES MODÈLES DE SÉRIE DE CAMION DE SERVICE :

- Pompe de compresseur
- Récepteur d'air ASME avec soupape de sûreté
- Moteur à gaz avec alternateur et démarrage électrique
- Contrôle du clapet piloté

MARQUE DU MOTEUR SELON LE MODÈLE :

- Moteur CE7002 - Kohler®
- Moteur CE7003 - Honda®
- Moteur CE7004 - Subaru®

Référence rapide

HUILE RECOMMANDÉE (2 OPTIONS)

Huile de compresseur sans détergent à viscosité simple, SAE 30 ISO. Disponible de Campbell Hausfeld, numéro de pièce ST126701AV.

Huile synthétique 10W30 comme Mobil 1®.

CAPACITÉ D'HUILE

CE7002	1,9 l (2 pintes)
CE7003	1,9 l (2 pintes)
CE7004	1,9 l (2 pintes)

CONSERVER CETTE INFORMATION A TITRE DE REFERENCE

Numéro de Série:

Numéro de Modèle:

Date d'achat:

Directives De Sécurité

Ce manuel contient de l'information très importante qui est fournie pour la SÉCURITÉ et pour ÉVITER LES PROBLÈMES D'ÉQUIPEMENT. Rechercher les symboles suivants pour cette information.

▲ DANGER Danger indique une situation dangereuse imminente qui MÈNERA à la mort ou à des blessures graves si elle n'est pas évitée.

▲ AVERTISSEMENT Avertissement indique une situation potentiellement dangereuse qui, si elle n'est pas évitée, POURRAIT mener à la mort ou à de graves blessures.

▲ ATTENTION Attention indique une situation potentiellement dangereuse qui, si elle n'est pas évitée, PEUT mener à des blessures mineures ou modérées.

AVIS Avis indique de l'information importante qui pourrait endommager l'équipement si elle n'est pas respectée.

IMPORTANT : Information qui exige une attention spéciale.

Symboles De Sécurité

Les symboles de sécurité suivants apparaissent dans l'ensemble de ce manuel pour vous aviser des dangers et précautions importants de sécurité.



Porter une protection oculaire et un masque



Lire le manuel d'abord



Risque d'incendie



Risque de pièces mobiles



Risque de pièces chaudes



Risque d'explosion



Risques de fumées



Risque de pression



Risque de choc

S'il vous plaît lire et conserver ces instructions. Lire attentivement avant de monter, installer, utiliser ou de procéder à l'entretien du produit décrit. Se protéger ainsi que les autres en observant toutes les instructions de sécurité, sinon, il y a risque de blessure et/ou dégâts matériels! Conserver ces instructions comme référence.

Importantes Instructions De Sécurité

Ce manuel contient des informations concernant la sécurité, le fonctionnement et l'entretien. Si vous avez des questions, appeler le 1-888-606-5587 pour le service à la clientèle.

Puisque le compresseur d'air et les autres pièces détachées (pompe, pistolets, filtres, graisseurs, tuyaux, etc.) font partie d'un système de haute pression, il est nécessaire de suivre les précautions suivantes:

PROPOSITION 65 DE CALIFORNIE

▲ AVERTISSEMENT Ce produit ou son cordon peuvent contenir des produits chimiques qui, de l'avis de l'État de Californie, causent le cancer et des anomalies congénitales ou autres problèmes de reproduction. Lavez-vous les mains après la manipulation.

▲ AVERTISSEMENT Vous pouvez créer de la poussière en coupant, ponçant, perçant ou meulant les matériaux tels que le bois, la peinture, le métal, le béton, le ciment ou autre maçonnerie. Cette poussière contient souvent des produits chimiques reconnus pour causer le cancer, les déformations congénitales



▲ DANGER

Avertissement d'Air Respirable

Ce compresseur/pompe n'est pas équipé pour et ne devrait pas être utilisé "comme soi" pour fournir de l'air respirable. Pour les applications d'air pour la consommation humaine, il est nécessaire d'équiper le compresseur d'air/pompe avec de l'équipement de sécurité en canalisation et d'alarme. Cet équipement additionnel est nécessaire pour filtrer et purifier l'air afin d'atteindre les spécifications minimales pour la respiration Grade D décrite dans le Compressed Gas Association Commodity Specification G 7.1, OSHA 29 CFR 1910. 134, and/or Canadian Standards Associations (CSA).

DÉNÉGATION DES GARANTIES

Si le compresseur est utilisé pour les applications d'air respirable et l'équipement de sécurité en canalisation et d'alarme n'est pas utilisé simultanément, les garanties en existence seront annulées, et Campbell Hausfeld dénie toute responsabilité pour n'importe quelle perte, blessure ou dommage.

GÉNÉRALITÉS SUR LA SÉCURITÉ

- ◆ Lire attentivement tous manuels compris avec ce produit. Bien se familiariser avec les commandes et l'utilisation correcte de l'équipement.
- ◆ Suivre tous les codes d'électricité et de sécurité locaux ainsi que: National Electrical Codes (NEC) et Occupational Safety and Health Act (OSHA) des É.-U.
- ◆ Seules les personnes bien familiarisées avec ces règles d'utilisation doivent être autorisées à se servir du compresseur.
- ◆ Garder les visiteurs à l'écart de/et NE JAMAIS permettre les enfants dans l'endroit de travail.
- ◆ Utiliser des lunettes de sécurité et la protection auditive pendant l'utilisation du modèle.
- ◆ Ne pas se tenir debout sur/ou utiliser le modèle comme une prise.
- ◆ Inspecter le système d'air comprimé et pièces détachées électriques pour toute indication de dommage, détérioration, faiblesse ou fuites avant chaque utilisation. Réparer ou remplacer toutes pièces défectueuses avant l'utilisation.
- ◆ Inspecter le degré de serrage de toutes attaches par intervalles régulières.



Importantes Instructions De Sécurité (Suite)

▲ AVERTISSEMENT Les moteurs, l'équipement et les commandes électriques peuvent causer des arcs électriques qui peuvent allumer un gaz ou une vapeur inflammable. Ne jamais utiliser ou réparer le modèle près d'un gaz ou d'une vapeur inflammable. Ne jamais entreposer les liquides ou gaz inflammables près du compresseur.



▲ AVERTISSEMENT L'oxyde de carbone peut causer la nausée sévère, l'évanouissement et la perte de vie. Ne pas utiliser ce modèle dans un espace malventilé.



▲ AVERTISSEMENT Ne jamais utiliser un compresseur sans carter de courroie. Ce modèle peut se démarrer sans avis. Le contact avec les pièces mobiles peut causer des blessures personnelles ou dégâts matériels.



◆ Ne pas porter les vêtements flottants ni la bijouterie qui peuvent se prendre dans les pièces mobiles du modèle.

▲ ATTENTION Les pièces du compresseur peuvent être chaudes même si le modèle n'est pas en marche.



◆ Garder les doigts à l'écart d'un compresseur qui est en marche; les pièces mobiles et chaudes peuvent causer des blessures et/ou brûlures.
◆ Si le compresseur vibre anormalement, ARRÊTER le moteur et l'inspecter immédiatement. La vibration est généralement une indication d'un problème.

▲ AVERTISSEMENT NE JAMAIS faire le plein d'essence d'un moteur qui est en marche ou chaud. Le carburant peut exploser et causer l'incendie ou des brûlures sévères. Ne pas trop remplir le réservoir.



◆ Vérifier le niveau de carburant avant le démarrage. Essuyer tous déversements avant le démarrage du moteur.

▲ DANGER Les vapeurs d'essence sont inflammables. Remplir seulement en plein air ou dans un endroit bien ventilé. Ne pas emmagasiner, renverser ou utiliser l'essence près d'une flamme ouverte ou aucun dispositif qui produit la chaleur tel qu'un poêle, un fourneau ou un chauffe-eau qui utilise une lampe témoin ou un autre appareil qui peut produire une étincelle. S'il y a un déversement accidentel d'essence, déménager le modèle et éviter toutes sources d'allumage jusqu'à ce que toutes les vapeurs se sont dissipées.

◆ Pour réduire le risque d'incendie, garder l'extérieur du moteur libre d'huile, de solvant ou de graisse excessive.

▲ AVERTISSEMENT Ce compresseur est équipé d'une soupape de sûreté ASME avec un réglage de pression de 1379 kPa pour les compresseurs à deux étages ou 1034 kPa pour les compresseurs à une étage. Si cette soupape de sûreté ASME doit être remplacée, la soupape de rechange doit porter la même classification de débit et de pression que la soupape originelle afin de protéger les pièces détachées pressurisées contre l'éclatement. Les classifications de débit et de pression sont indiquées sur la soupape. NE JAMAIS ENLEVER ET REMPLACER CETTE SOUPAPE DE SÛRETÉ AVEC UN BOUCHON. La soupape de sûreté dans le refroidisseur interne d'un compresseur à deux étages ne fournit pas de protection pour le système.

▲ AVERTISSEMENT La pression maximale de service est 1207 kPa pour les compresseurs à deux étages et 862 kPa pour les compresseurs à une étage. Ne pas utiliser avec un manostat ni des soupapes qui sont réglés plus que 1207 kPa (deux étages) ou 862 kPa (une étage).

◆ Ne jamais essayer d'ajuster la soupape de sûreté ASME. Garder la soupape de sûreté libre de peinture et autres accumulations.
◆ Ne pas trifouiller avec les ajustements du régulateur. Le fonctionnement du moteur aux excès de vitesse raccourcira la durée du moteur et peut être très hasardeux.

▲ AVERTISSEMENT Ne jamais essayer de réparer ni de modifier un réservoir! Le soudage, le perçage ou autre modifications peuvent affaiblir le réservoir et peut résulter en dommage de rupture ou d'explosion. Toujours remplacer un réservoir usé, fendu ou endommagé.



AVIS Purger le liquide du réservoir quotidiennement.

◆ L'accumulation d'humidité cause la rouille qui peut affaiblir le réservoir. Purger le réservoir quotidiennement et l'inspecter périodiquement pour la rouille et la corrosion ou autre dommage.
◆ L'air mouvante peut agiter la poussière et le débris qui peut être dangereux. Lâcher l'air lentement en purgeant l'humidité ou pendant la dépressurisation du système de compresseur.
◆ ARRÊTER le moteur en quittant l'endroit du travail et avant de nettoyer, inspecter ou de procéder à l'entretien du modèle. Assurer que toutes pièces mobiles sont arrêtées avant de nettoyer, réparer ou inspecter le modèle. Débrancher le fil de la bougie et garder ce fil à l'écart de la bougie pour éviter un démarrage accidentel.

PRÉCAUTIONS DE PULVÉRISATION

▲ AVERTISSEMENT Ne pas pulvériser les matériaux inflammables dans un endroit de flamme ouverte ni près d'une source d'ignition y compris le compresseur.



◆ Ne pas fumer pendant la pulvérisation de la peinture, d'insecticides ou autres matières inflammables.
◆ Utiliser un masque/respirateur pendant la pulvérisation et pulvériser dans un endroit bien aéré pour éviter le risque de blessures et d'incendie.
◆ Ne pas diriger la peinture ou autre matériel pulvérisé vers le compresseur. Situer le compresseur aussi loin que possible de l'endroit de pulvérisation pour réduire l'accumulation de surpulvérisation sur le compresseur.
◆ Suivre les instructions du fabricant pendant la pulvérisation ou le nettoyage avec des solvants ou produits chimiques toxiques.



CONSERVER CES INSTRUCTIONS NE LES JETEZ PAS

Les symboles **DANGER, AVERTISSEMENT, ATTENTION ET AVIS** ainsi que les instructions de ce manuel ne peuvent pas couvrir toutes les conditions et situations qui pourraient se produire. L'opérateur doit comprendre que les précautions sont des facteurs qui ne peuvent pas être inclus dans ce produit, mais doivent être fournis par l'opérateur.

Apprendre à connaître votre compresseur

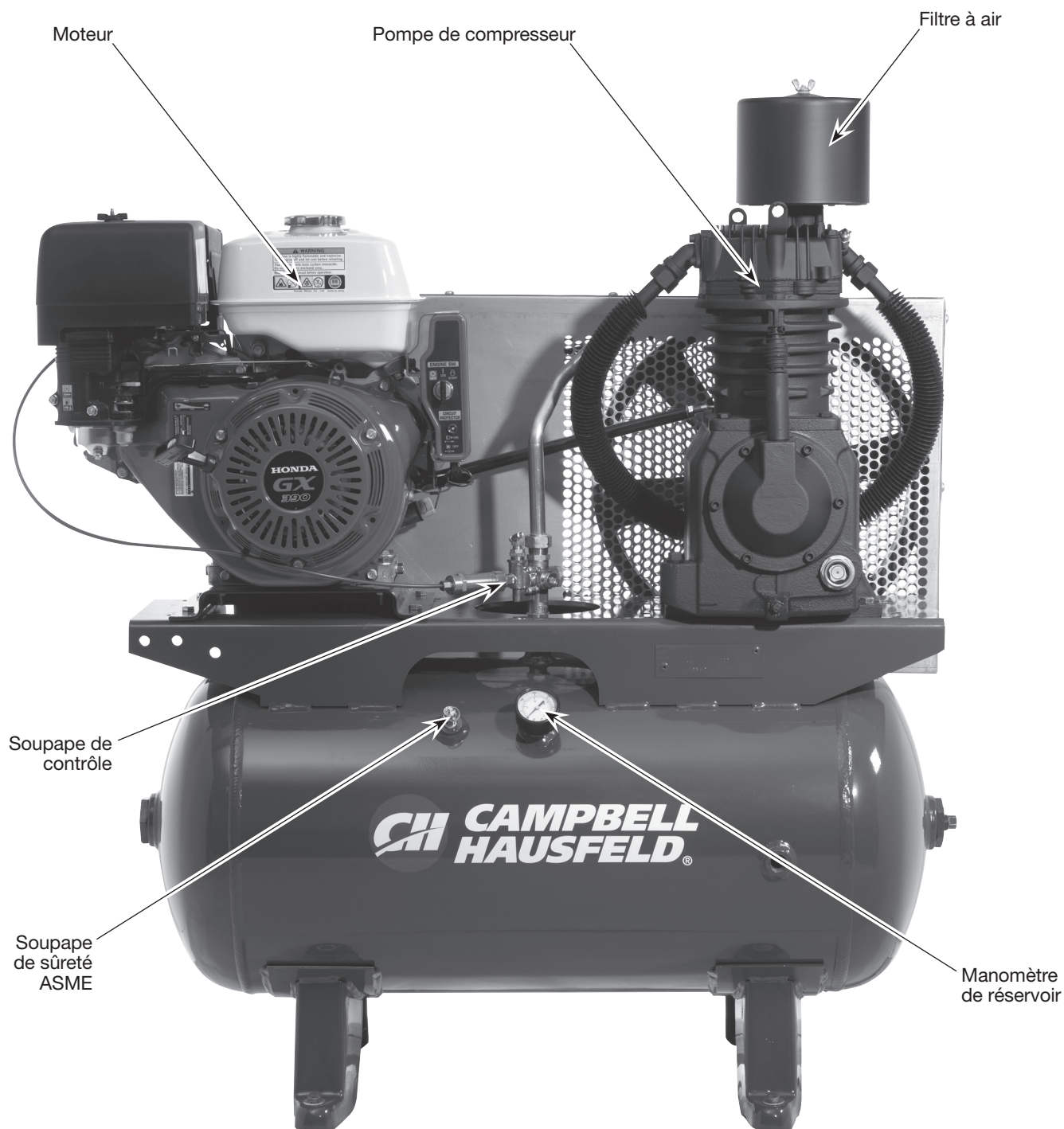


Figure 1 - Composants de la série Air d'atelier

Déballage

⚠ ATTENTION *Ne pas soulever ni déplacer le modèle sans équipement convenable et s'assurer que le modèle soit bien fixé à l'appareil de levage. Ne pas soulever le modèle avec les tuyaux ou les refroidisseurs. Ne pas utiliser le modèle pour soulever d'autre équipement qui est attaché au compresseur.*

Dès que l'appareil est déballé, l'inspecter attentivement pour tout signe de dommages en transit. Vérifier s'il y a des pièces desserrées, manquantes ou endommagées. Vérifier pour s'assurer que tous les accessoires fournis sont inclus avec l'appareil. Pour toutes questions, pièces endommagées ou manquantes, appeler le 1-888-606-5587 pour le service à la clientèle.

⚠ AVERTISSEMENT *Ne pas utiliser un modèle qui a été endommagé pendant le transport, la manipulation ou l'utilisation. Le dommage peut résulter en explosion et peut causer des blessures ou dégâts matériels.*

AUTRES ARTICLES NON INCLUS

- ◆ Huile
- ◆ Coussinets isolants de vibrations

Installation

⚠ AVERTISSEMENT *Débrancher le câble de la batterie et dissiper toute la pression du système avant d'essayer d'installer, réparer, déplacer ou de procéder à l'entretien du modèle.*

⚠ ATTENTION *Ne pas soulever ni déplacer le modèle sans équipement convenable et s'assurer que le modèle soit bien fixé à l'appareil de levage. Ne pas soulever le modèle avec les tuyaux ou les refroidisseurs. Ne pas utiliser le modèle pour soulever d'autre équipement qui est attaché au compresseur.*

⚠ ATTENTION *Ne jamais utiliser les palettes d'expédition pour monter le compresseur.*

CHOISIR L'EMPLACEMENT

⚠ ATTENTION *Ne pas situer la prise d'air du compresseur près de vapeurs, pulvérisation de peinture, endroits de décapage au sable ou n'importe quelle autre source de contamination.*

Le compresseur devrait être installé sur une fondation égal et assez fort et rigide pour soutenir le compresseur sans vibration. L'utilisation des cales sous les pieds de montage du compresseur est recommandé pour éviter le "basculage" et la vibration excessive. Les tampons isolateurs sont recommandés pour réduire la vibration. Si les tampons isolateurs sont utilisés, il est nécessaire d'installer un raccord flexible entre le réservoir et n'importe quel tuyau qui est fixé avec permanence au réservoir.

⚠ ATTENTION *Pendant l'installation permanente d'un compresseur pour l'usage stationnaire ou mobile, telle que sur un camion, évitez la tension sur le pied de fixation en le "tirant en bas" verse le plancher.*

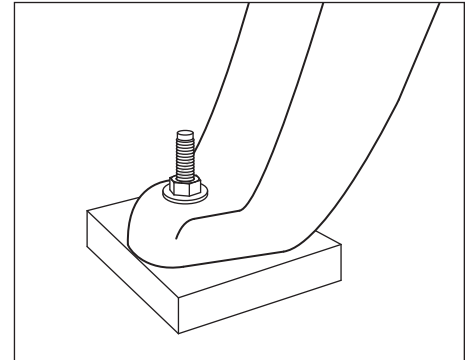


Figure 2 - Coussinet isolant

Installation (Suite)

INSTALLATION D'UNE SOUPAPE D'ARRÊT

Une soupape d'arrêt devrait être installée sur l'orifice de décharge du réservoir pour régler le débit d'air du réservoir. La soupape devrait être située entre le réservoir et le système de tuyauterie.

Comme indiqué sur la figure 3, monter le clapet de refoulement sur le mamelon de tuyau. Installer le clapet assemblé à chaque extrémité du réservoir. Utiliser du ruban d'étanchéité sur les bandes du mamelon de tuyau afin d'éviter les fuites d'air.

⚠ AVERTISSEMENT *Ne jamais installer une soupape d'arrêt entre la pompe du compresseur et le réservoir. Ceci peut résulter en blessures personnelles et/ou dommage à l'équipement. Ne jamais utiliser un appareil de réduction dans le tuyau flexible de refoulement.*

Pour un système d'installation permanent pour la distribution d'air comprimé, calculer la longueur du système et choisir la taille du tuyau selon le tableau. Enterrer les lignes souterraines sous le niveau de gelée et éviter les poches où la condensation pourrait s'accumuler et geler. Appliquer la pression d'air à la tuyauterie et assurer que toutes les jointures sont sans fuites AVANT de couvrir les lignes souterraines. Rechercher et réparer toutes les fuites dans les tuyaux et raccords avant d'utiliser le compresseur.

TUYAUTERIE

⚠ AVERTISSEMENT *Ne Jamais utiliser les tuyaux en plastique (CPV) pour l'air comprimé. Ceci peut résulter en blessures graves ou perte de vie.*

N'importe quel tube, tuyau ou tuyau flexible branché au modèle doit pouvoir résister la température qui est produit et doit conserver la pression. Tous les composants sous pression du système d'air doivent avoir une valeur nominale de pression de 1 379 kPa (200 lb/po²) ou plus. La sélection ou l'installation incorrecte de n'importe quel tube, tuyau ou tuyau flexible peut résulter en éclatement et en blessures. Brancher le système de tuyauterie au réservoir en utilisant un raccord de même taille que celui de l'orifice de décharge.

SOLÉNOÏD DE DÉMARRAGE (MODÈLE AVEC UN DÉMARREUR ÉLECTRIQUE SEULEMENT)

1. Débrancher le câble négatif de la borne de batterie avant de brancher les fils au solénoïd.
2. Enlever l'écrou d'1/4 po du plot gauche. Ne pas contacter le plot droit afin d'éviter l'ignition du moteur.
3. Brancher le câble de batterie positif (rouge) au plot gauche et installer à nouveau l'écrou d'1/4 po. Serrer l'écrou à la main et encore un tour. (Voir Figure 5).
4. Brancher le câble de batterie négatif (noir) à une mise à la terre convenable. L'endroit recommandé est le boulon de montage du moteur. D'autres endroits sûrs sur le moteur sont aussi convenables.
5. Brancher à nouveau le câble négatif à la batterie.

AVIS *Manque d'installer l'équipement convenable pour l'enlèvement de l'eau/l'huile peut résulter en dommage au modèle ou à l'objet de travail.*

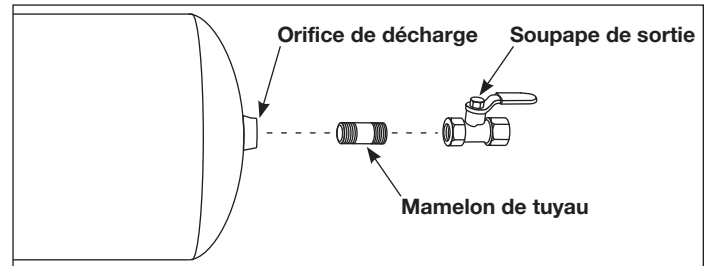


Figure 3 - Installation du robinet d'arrêt

TAILLE DE TUYAU MINIMUM POUR CANALISATION D'AIR COMPRIMÉ

m ³ /min	Longueur Du Système			
	7,62 m	15,24 m	30,48 m	76,2 m
10	12,7 mm	12,7 mm	19,1 mm	19,1 mm
20	19,1 mm	19,1 mm	19,1 mm	2,54 cm
40	19,1 mm	2,54 cm	2,54 cm	2,54 cm



Figure 4 - Soupape d'arrêt

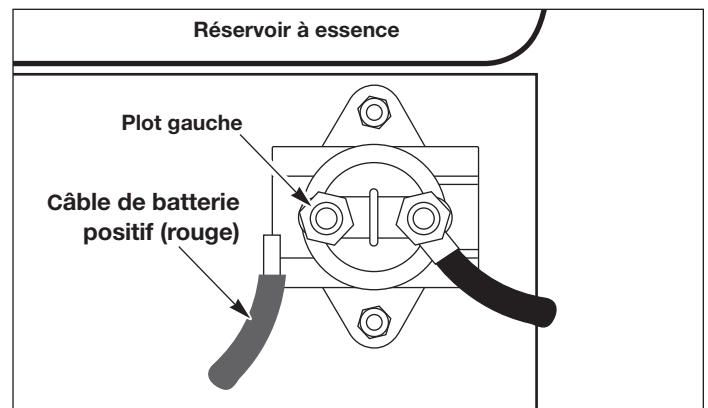


Figure 5 - Solénoïd de démarrage

Installation (Suite)

GRAISSAGE

⚠ ATTENTION *CE MODÈLE NE CONTIENT PAS D'HUILE. Avant d'utiliser le compresseur. Remplir au centre de la jauge visuelle (voir la Figure 6).*

⚠ ATTENTION *L'utilisation d'un autre type d'huile pourrait raccourcir la durée de la pompe et endommager les soupapes.*

Huile recommandée (2 options)

- Huile de compresseur sans détergent à viscosité simple, SAE 30 ISO100. Disponible de Campbell Hausfeld, numéro de pièce ST126701AV.
- 1 Huile synthétique 10W30 comme Mobil 1®.

Capacité d'huile

Série CE7000 1,9 l (2 pintes)

Remplir la pompe d'huile au centre de la jauge visuelle en utilisant l'ouverture de remplissage d'huile (voir la Figure 6). **NE PAS remplir la pompe jusqu'à l'ouverture du bouchon de reniflard, car ceci pourrait mener à une fuite d'huile et une pulvérisation vers l'extérieur durant l'utilisation.**

IMPORTANT: Il pourrait y avoir des résidus d'huile dans la pompe des tests en usine laissant une mince couche sur la jauge visuelle, mais il n'y a pas assez d'huile pour faire fonctionner l'unité.

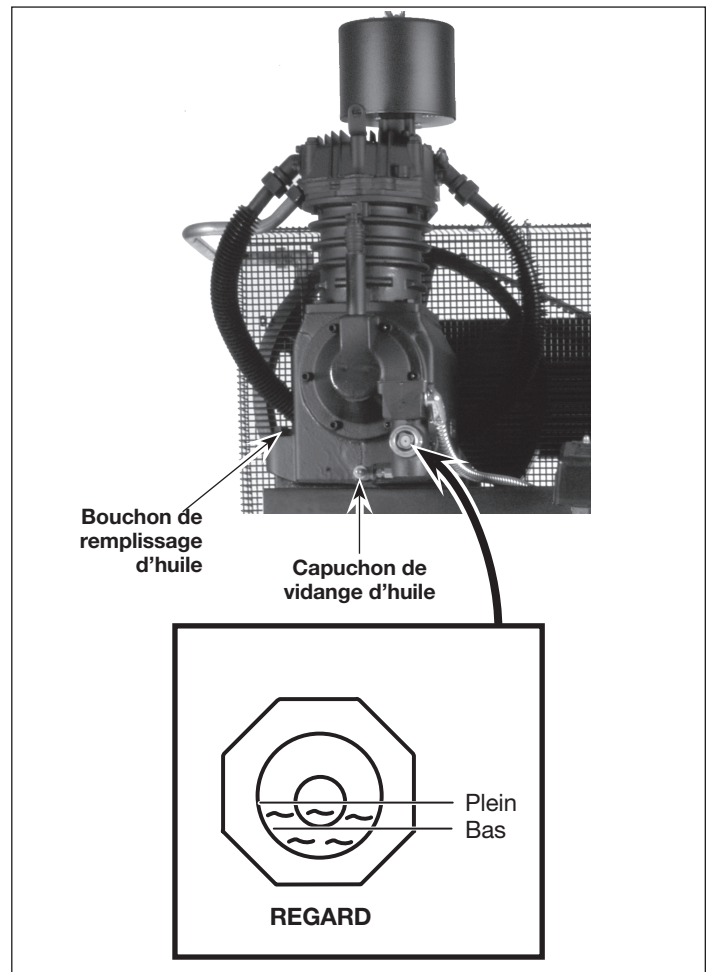


Figure 6

Fonctionnement

AVIS

Lire attentivement tous les manuels d'instructions, surtout le manuel du moteur avant le démarrage du compresseur.

⚠ DANGER

Un carter de courroie doit être installé avant de faire fonctionner le modèle.



DÉMARRAGE

1. Ne pas faire fonctionner le compresseur aux vitesses en excès de la classification de vitesse indiquée. Ceci peut endommager le compresseur et le moteur.

⚠ ATTENTION

Ne pas débrancher la batterie de l'ignition du moteur pendant que le compresseur soit en marche. (Modèles avec démarrage électrique seulement).

2. Vérifier le niveau d'huile dans le compresseur et dans le carter du moteur et ajouter de l'huile si nécessaire.
3. Remplir le réservoir à essence avec de l'essence propre et frais de type automobile sans plomb régulier (ou d'essence ordinaire si l'essence sans plomb n'est pas disponible). Ne pas mélanger l'huile avec l'essence.
4. Avant de démarrer le compresseur, mettre le levier à bascule en position de décharge. Une fois que le moteur a atteint sa pleine vitesse, basculer le levier en position de charge (Voir la Figure 7).
5. Pendant son premier usage, faire fonctionner le compresseur continuellement pour une heure afin de permettre l'ajustement des segments de piston.
 - a. Ouvrir le robinet de purge sur le réservoir et faire fonctionner le compresseur pendant 60 minutes (Voir la Figure 8).
 - b. Mettre le compresseur hors circuit et fermer le robinet de purge. Le compresseur est maintenant prêt à utiliser.
6. Pour le démarrage aux températures froides; faire fonctionner le modèle sans charge pendant 10-20 minutes pour réchauffer le compresseur et le moteur.
7. Un peu de vibration est commun pendant les premières 2-3 heures de fonctionnement. La vibration diminue une fois que la courroie et la poulie s'ajustent.

Si le compresseur est utilisé sous les conditions humides pour de courtes durées, l'humidité peut se condenser dans le carter et l'huile peut paraître crémeuse. L'huile qui est contaminée avec de l'eau condensée ne fournit pas de lubrification suffisante et doit être remplacée immédiatement. L'utilisation de l'huile contaminée peut endommager les roulements, pistons, cylindres et bagues et n'est pas couverte par la garantie. Pour éviter la condensation d'eau dans l'huile, faire fonctionner le compresseur périodiquement avec la pression du réservoir à 138 kPa, réglage de pression maximum, en ouvrant le robinet de purge ou une soupape d'air qui est branchée au réservoir ou à un tuyau. Faire fonctionner la pompe pendant une heure au moins une fois par semaine ou plus souvent si la condensation se manifeste.

AVIS

Changer l'huile après les premières 50 heures de fonctionnement.

FONCTIONNEMENT CONTINU

Le fonctionnement continu a été conçu pour les modèles avec moteurs à essence afin d'assurer la disponibilité de pression d'air et pour éliminer la nécessité de démarrage fréquent. Le moteur et la pompe fonctionnent continuellement pour garder le réservoir à sa pression de service maximale.

RALENTI/DÉCHARGE

Ce modèle est équipé avec une commande de ralenti/décharge. Pour vérifier le fonctionnement de l'appareil:

1. Fermer la soupape d'échappement (Voir la Figure 9).
2. Mettre le compresseur en marche et permettre que la pression atteigne la limite du robinet de réglage qui est réglé à 1207 kPa pour un compresseur à deux étages. Le compresseur devrait se décharger à travers du coussinet de reniflard sur le robinet de réglage et le moteur devrait se ralentir.

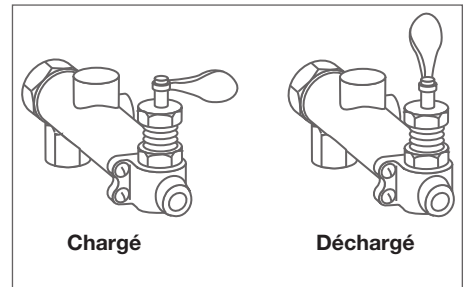


Figure 7 - Robinet de Réglage

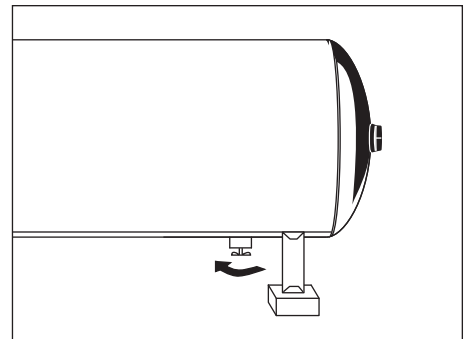


Figure 8 - Vidange manuelle du réservoir

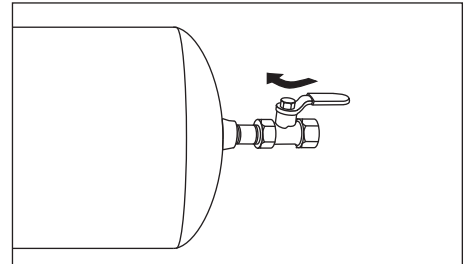


Figure 9

Fonctionnement (Suite)

- Ouvrir la soupape d'échappement et permettre que la pression dans le réservoir tombe jusqu'à la limite du robinet de réglage qui est réglé à 1000 kPa (2 étages). Le robinet de réglage devrait se fermer et permettre le chargement du réservoir plutôt que le décharge à travers du coussinet de reniflard.
- Ne pas modifier les réglages de pression sur le robinet de réglage ou le régulateur du moteur. Si une pression plus basse est exigée, il est nécessaire d'utiliser un régulateur de pression séparé après la soupape d'échappement. Le compresseur a une limite de pression de service maximum de 1207 kPa (deux étages) et ne devrait pas être utilisé au delà de cette limite.

RENIFLARD DU CARTER

Pendant les conditions de fonctionnement sévères, ou pendant le démarrage initial, un peu d'huile peut s'accumuler à l'ouverture du reniflard de carter. Ceci est normal et diminuera une fois que la pompe soit rodée et que les bagues soient complètement ajustées.

Maintenance

⚠ AVERTISSEMENT *Débrancher le câble de la batterie et ensuite dissiper toute la pression du système avant d'essayer d'installer, réparer, déplacer ou de procéder à l'entretien.*



Vérifier le filtre d'air et le niveau d'huile avant chaque usage pour assurer l'efficacité du système. Inspecter la soupape de sûreté ASME quotidiennement. Tirer l'anneau sur la soupape de sûreté et la laisser revenir à sa position normale. (Voir la Figure 10). Cette soupape laisse échapper de l'air automatiquement si la pression du réservoir dépasse la pression maximale réglée d'avance. S'il y a une fuite d'air une fois que la soupape a été lâchée, ou si la soupape est grippée et ne peut pas être activée par la bague, la soupape de sûreté ASME doit être remplacée.

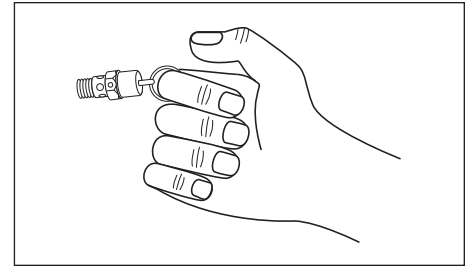


Figure 10

⚠ DANGER *Ne pas essayer de trifouiller avec la soupape de sûreté ASME.*

⚠ DANGER *Ne pas essayer de réparer ou de modifier un réservoir! Le soudage, perçage ou autre modifications peuvent affaiblir le réservoir et peut résulter en dommage de rupture ou d'explosion. Toujours remplacer les réservoirs qui sont usés, fendus ou endommagés.*



AVIS

Purger l'humidité du réservoir quotidiennement.

Le réservoir doit être inspecté au moins une fois par année. Vérifier pour des fentes près des soudures. S'il y a une fente, dissiper la pression du réservoir immédiatement et le remplacer.

GRAISSAGE DU COMPRESSEUR

Ajouter de l'huile pour la pompe si nécessaire. L'huile devrait être changée chaque trois mois ou 500 heures de fonctionnement.

IMPORTANT: Le moteur à essence requiert des vidanges d'huile plus fréquents. Se référer aux instructions d'entretien du moteur pour d'autres exigences d'entretien qui ne sont pas couvertes ici.

FILTRE D'AIR

Ne jamais faire fonctionner un compresseur d'air sans filtre d'air d'arrivé ou avec un filtre d'air d'arrivée obstrué. Nettoyer le filtre d'air avec un jet d'air comprimé. Ne pas laver ou graisser la cartouche. Si le filtre ne peut pas être nettoyé avec de l'air comprimé, le filtre doit être remplacé. L'utilisation d'un compresseur avec un filtre d'air sale peut résulter en consommation d'huile excessive et une augmentation de contamination dans l'air de débit.

Entretien (Suite)

REFROIDISSEUR (DEUX ÉTAGES SUELEMENT)

Le refroidisseur sert à réduire la température et la consommation de puissance.

⚠ AVERTISSEMENT *Ne jamais installer une soupape d'arrêt entre Les ailettes de refroidissement sont pointues.*

Toujours porter des gants et prendre précaution pendant le nettoyage du refroidisseur ou si près de l'endroit du refroidisseur.

Inspecter le refroidisseur chaque semaine pour assurer que tous les raccords sont sûrs et bien serrés. Souffler toute saleté, poussière et autres accumulations des ailettes de refroidissement.

PIÈCES DÉTACHÉES

IMPORTANT: Lire les instructions d'entretien du moteur pour les recommandations d'entretien.

Mettre hors circuit et utiliser la pression d'air légère pour souffler la poussière et autres accumulations de la culasse, du moteur, des pales de ventilateur, des canalisations d'air, du refroidisseur et du réservoir mensuellement.

Inspecter le système en entier pour des fuites d'air autour des raccords, etc., en utilisant une solution savonneuse. Serrer les boulons et vis d'assemblage si nécessaire.

COURROIES

⚠ AVERTISSEMENT *Débrancher le câble de la batterie et purger le réservoir pour éviter le mouvement inattendu du modèle.*

Vérifier la tension de courroie chaque 3 mois. Ajuster la tension de courroie afin de permettre une déflexion de 1 - 2 cm avec pression appliquée avec le pouce (Voir Figure 11).

Aligner les courroies en utilisant une limande contre la face du volant et touchant le bord sur les deux côtés de la face. Les courroies devraient être parallèles à la limande pour assurer l'alignement correct des courroies (Voir Figure 12).

ENTREPOSAGE

Pour l'entreposage à court terme, assurer que le compresseur soit rangé dans une position normale et qu'il soit dans un endroit frais et protégé. Si le modèle requiert l'entreposage pendant plus que 30 jours, vidanger le moteur complètement de carburant et d'huile. Se référer aux instructions d'entreposage dans le manuel du moteur.

HORAIRE D'ENTRETIEN

Fonctionnement	Quotidiennement	Semaine	Mensuellement	3 Mois
Vérifier la soupape de sûreté	●			
Purger le réservoir	●			
Vérifier le niveau d'huile	●			
Nettoyer ou changer le filtre à air	●			
Vérifier le refroidisseur		●		
Nettoyer les pièces du modèle			●	
Vérifier le serrage de la courroie				●
Changer l'huile				●

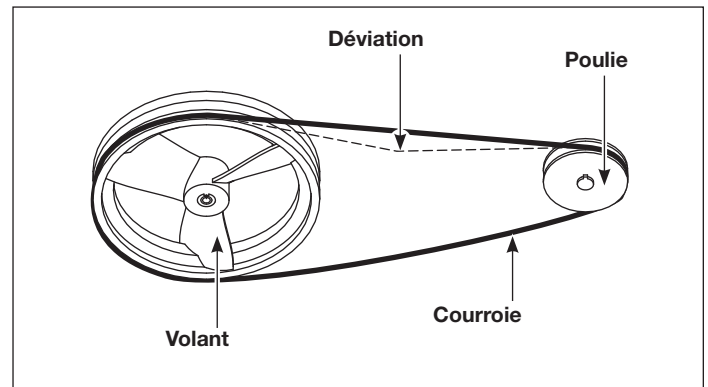


Figure 11 - Déviation de la courroie

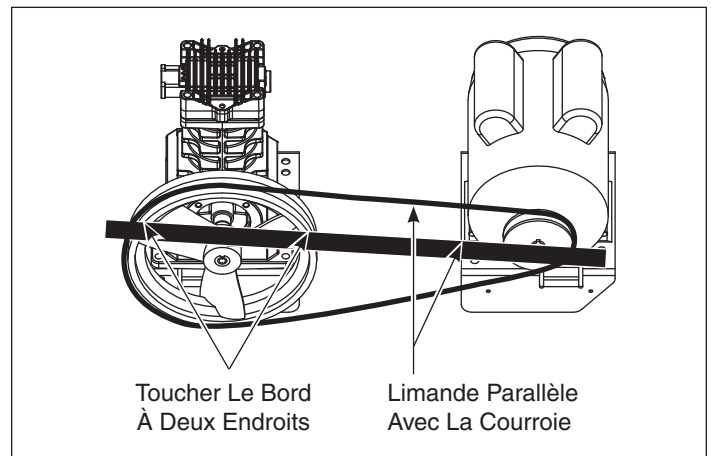


Figure 12 - Alignement de la courroie

Guide de dépannage

SYMPTÔME	CAUSE(S) POSSIBLE(S)	ACTION CORRECTIVE
Bruit excessif pendant le fonctionnement	1. Poulie, volant, courroie, carter de courroie, refroidisseur, brides de serrage ou accessoires délogés	1. Serrer
	2. Manque d'huile dans le carter	2. Vérifier pour le dommage aux roulements, remplir d'huile
	3. Piston qui frappe la plaque de soupape	3. Enlever la culasse du compresseur et inspecter pour de l'encrassement sur le haut du piston. Remplacer avec un nouveau joint d'étanchéité et remonter la culasse
	4. Montage du compresseur au plancher délogé	4. Serrer
	5. Carter défectueux	5. Réparer ou remplacer
	6. Jeu en bout excessif du carter	6. Ajuster et caler correctement
Cognement – même cycle que tr/min de la pompe	1. Roulements principaux	1. Remplacer les roulements
	2. Roulements de bielle	2. Remplacer la bielle
	3. Volant délogé	3. Serrer
Cognement pendant le chargement du compresseur	1. Roulements de bielle	1. Remplacer la bielle
	2. Tourillons, roulements de tourillons	2. Remplacer le montage complet du piston
	3. Écrou de bielle délogé	3. Serrer
Huile crémeux dans le réservoir d'huile	Eau qui entre le réservoir à cause du fonctionnement dans un endroit d'humidité élevée	a. Canaliser l'arrivée d'air à une source moins humide. b. Entretenir le modèle plus souvent (changer l'huile, nettoyer ou remplacer la cartouche du filtre à air, purger le réservoir).
Consommation d'huile excessive	1. Arrivée d'air restreinte	1. Nettoyer ou remplacer le filtre d'air
	2. Fuites d'huile	2. Serrer les boulons ou remplacer le joint d'étanchéité
	3. Segments de piston usés	3. Remplacer les segments de piston
	4. Viscosité d'huile incorrecte	4. Vidanger l'huile, remplir avec de l'huile de viscosité correcte. Voir la section de "Graissage de Pompe"
	5. Compresseur trop incliné	5. Égaliser le compresseur
	6. Cylindre marqué	6. Remplacer le cylindre et les bagues
L'huile dans l'air de débit	1. Arrivée d'air du compresseur restreinte	1. Nettoyer la cartouche filtrante d'air et inspecter le système d'arrivée pour autres restrictions
	2. Segments de piston usés	2. Remplacer les segments de piston
	3. Huile excessive dans le compresseur	3. Vidanger l'huile jusqu'au niveau correct
	4. Viscosité d'huile incorrecte	4. Vérifier la viscosité. Voir la section "Graissage de la Pompe"
Vibration du compresseur	1. Boulons de fixation délogés	1. Serrer
	2. Montage incorrect du compresseur	2. Égaliser le compresseur afin que tous les pieds touchent le plancher avant le serrage. Utiliser des cales si nécessaire
	3. Poulie et volant hors d'alignement	3. Aligner à nouveau
	4. Courroies délogées ou qui ne correspondent pas	4. Serrer les courroies. Voir la section "Entretien"
	5. Vilebrequin courbé	5. Remplacer le vilebrequin
Air qui souffle hors de l'arrivée	Soupape d'admission en panne	Remplacer le montage de la plaque de soupape

Suite à la page suivante

Guide de dépannage (Suite)

SYMPTÔME	CAUSE(S) POSSIBLE(S)	ACTION CORRECTIVE
Pression insuffisante au moment d'usage	<ol style="list-style-type: none"> 1. Fuites ou restrictions 2. Arrivée d'air restreinte 3. Patinage des courroies 4. Tuyau d'alimentation trop petit 5. Exigence d'air excessive 6. Panne de soupape 	<ol style="list-style-type: none"> 1. Inspecter pour des fuites ou restrictions dans les tuyaux. Réparer ou remplacer 2. Nettoyer ou remplacer la cartouche filtrante 3. Serrer les courroies, se référer à la section "Entretien" 4. Remplacer avec un tuyau plus large 5. Utiliser moins d'outils ou des outils plus petits afin de limiter l'utilisation d'air comprimé 6. Remplacer l'assemblage de soupape à anche
Le réservoir ne tient pas la pression pendant le déchargement du compresseur	Fuite d'air dans le système	Rechercher et réparer la fuite. ⚠ DANGER <i>Ne jamais essayer de réparer ni de modifier un réservoir!</i>
Usure excessive de la courroie	<ol style="list-style-type: none"> 1. Poulie hors d'alignement 2. Courroies trop serrées 3. Courroies trop lâches 4. Branlement de la poulie ou du volant 5. Dommages à l'encoche de la poulie ou du volant 	<ol style="list-style-type: none"> 1. Aligner à nouveau la poulie du moteur avec le volant du compresseur 2. Ajuster la rigidité. Se référer à la section "Entretien" 3. Ajuster la rigidité. Se référer à la section "Entretien" 4. Vérifier pour un vilebrequin, une rainure de clavette ou un alésage de poulie usé résultant d'utilisation avec poulies lâches. Vérifier pour un vilebrequin courbé 5. Limer ou remplacer
Température d'air de décharge excessive	<ol style="list-style-type: none"> 1. Surfaces de refroidissement sales 2. Ventilation insuffisante 3. Joint d'étanchéité de culasse crevé 4. Arrivée d'air restreinte 5. Soupapes usées 	<ol style="list-style-type: none"> 1. Nettoyer les surfaces de refroidissement du cylindre, du refroidisseur et du tuyau d'échappement 2. Améliorer la ventilation ou déménager le compresseur 3. Remplacer le joint d'étanchéité de culasse 4. Nettoyer ou remplacer la cartouche filtrante 5. Remplacer l'assemblage de la plaque de soupape
La pression du réservoir s'augmente lentement	<ol style="list-style-type: none"> 1. Filtre d'air sale 2. Joint d'étanchéité de culasse crevé 3. Soupapes d'arrivées ou d'échappement usées ou crevées 4. Fuites d'air 5. Courroies lâches 6. Vitesse trop lente 	<ol style="list-style-type: none"> 1. Nettoyer ou remplacer la cartouche filtrante 2. Remplacer le joint d'étanchéité 3. Installer un nouvel assemblage de plaque de soupape 4. Serrer les joints 5. Serrer les courroies. Se référer à la section "Entretien" 6. Vérifier la vitesse. Se référer au tableau de "Rendement"
La pression du réservoir s'augmente rapidement sur le compresseur	<ol style="list-style-type: none"> 1. Eau dans le réservoir 2. Vitesse trop rapide 	<ol style="list-style-type: none"> 1. Purger le réservoir. (QUOTIDIENNEMENT) 2. Vérifier la vitesse. Se référer aux spécifications
La pression du compresseur continue à s'augmenter une fois que la pression de décharge soit atteinte	<ol style="list-style-type: none"> 1. Fuite sévère dans la soupape de déchargement 2. Restrictions dans les canalisations de déchargement 	<ol style="list-style-type: none"> 1. Vérifier tous les raccords et canalisations. Remplacer ceux qui ont des fuites 2. Enlever la cause de restriction
Moteur en panne	Le levier à bascule sur la soupape de déchargement est dans la position de chargement	Mettre le levier à bascule dans la position de déchargement

Suite à la page suivante

Guide de dépannage (Suite)

SYMPTÔME	CAUSE(S) POSSIBLE(S)	ACTION CORRECTIVE
Le moteur à essence ne se démarre pas	Niveau d'huile du moteur bas. Quelques moteurs sont équipés avec un arrêt de niveau d'huile bas	Ajouter de l'huile jusqu'au niveau correct
La soupape de sûreté ASME s'ouvre pendant le fonctionnement du compresseur	1. Réglage de la soupape de déchargement incorrect 2. Soupape de sûreté ASME défectueuse	1. Régler à une pression plus basse (1172 kPa maximum pour les modèles à deux étages ou 862 kPa pour les modèles à une étage). Se référer à la section de Fonctionnement. 2. Remplacer la soupape

Notes

Mémento: *Gardez votre preuve datée d'achat à fin de la garantie! Joignez-la à ce manuel ou classez-la dans un dossier pour plus de sécurité.*

Garantie Limitée

1. DURÉE: La pompe du compresseur et le récepteur d'air sont garantis pour trois ans de la date d'achat par l'acheteur original. Le reste du compresseur est garanti pendant un an de la date d'achat par l'acheteur original.
2. GARANTIE ACCORDÉE PAR (GARANT) : Campbell Hausfeld/Scott Fetzer Company, 100 Production Drive, Harrison, Ohio, 45030, Téléphone: 1-888-606-5587.
3. BÉNÉFICIAIRE DE CETTE GARANTIE (ACHETEUR) : L'acheteur original (sauf en cas de revente) du compresseur d'air Campbell Hausfeld.
4. PRODUITS COUVERTS PAR CETTE GARANTIE : Compresseurs d'air de séries CE7000, CE8000 et CE9000 de Campbell Hausfeld.
5. COUVERTURE DE LA PRÉSENTE GARANTIE : Les pièces et la main d'oeuvre pour corriger les défauts de matériaux et/ou de main d'oeuvre avec les exceptions indiquées ci-dessous.
6. LA PRÉSENTE GARANTIE NE COUVRE PAS :
 - A. Les garanties implicites, y compris celles de commercialisation et D'ADAPTATION À UNE FONCTION PARTICULIÈRE SONT LIMITÉES À PARTIR DE LA DATE D'ACHAT INITIALE TELLE QU'INDIQUÉE DANS LA SECTION DURÉE. Certaines Provinces (États) n'autorisent pas de limitations de durée pour les garanties implicites, donc les limitations précédentes peuvent donc ne pas s'appliquer.
 - B. TOUT DOMMAGE, PERTE OU DÉPENSE FORTUIT OU INDIRECT POUVANT RÉSULTER DE TOUT DÉFAUT, PANNE OU MAUVAIS FONCTIONNEMENT DU PRODUIT CAMPBELL HAUSFELD. Quelques Provinces (États) n'autorisent pas l'exclusion ni la limitation des dommages fortuits ou indirects. La limitation ou l'exclusion précédente peut donc ne pas s'appliquer.
 - C. Resserrer les attaches desserrées:
 1. Accident ou abus de l'acheteur
 2. Mauvaise installation
 3. L'équipement qui n'a pas été utilisé ou entretenu conformément aux instructions de Campbell Hausfeld selon les détails du manuel d'utilisation fourni avec le compresseur.
 4. Équipement qui a été réparé ou modifié sans autorisation de Campbell Hausfeld.
 - D. Service avant livraison; le montage, l'huile ou la graisse et les réglages par exemple.
 - E. Les effets d'usure normale.
 - F. Les moteurs à essence et les pièces détachées sont expressément exclus de cette garantie limitée. L'acheteur doit observer la garantie du fabricant de moteur qui est fournie avec le produit.
 - G. Équipement qui a été endommagé en transit.
7. RESPONSABILITÉS DU GARANT AUX TERMES DE CETTE GARANTIE : Réparation ou remplacement, au choix du Garant, d'un compresseur ou d'une pièce détachée qui s'est révélé défectueux ou qui n'est pas conforme pendant la durée de validité de la garantie. Les réparations garanties seront faites au site de l'acheteur.
8. RESPONSABILITÉS DE L'ACHETEUR AUX TERMES DE CETTE GARANTIE :
 - A. Fournir une preuve d'achat datée et un état d'entretien.
 - B. Utilisation et entretien du produit avec un soin raisonnable, ainsi que le décrit le(s) manuel(s) d'utilisation.
 - C. Réparations qui exigent de temps additionnel, taux de charge de fin de semaine, ou tout problème au-delà du taux normal de remboursement par main d'œuvre de réparations sous garantie du fabricant.
 - D. Temps nécessaire pour tout contrôle de sécurité, entraînement de sécurité, ou situation semblable parce que le personnel de service puisse obtenir l'accès à l'installation.
 - E. L'emplacement de l'unité doit être facilement accessible et avoir l'espace suffisant parce que le personnel de service puisse effectuer les réparations.
9. RÉPARATION OU REMPLACEMENT EFFECTUÉ PAR LE GARANT AUX TERMES DE LA PRÉSENTE GARANTIE : La réparation ou le remplacement sera prévu et exécuté en fonction de la charge de travail dans le centre de service et dépendra de la disponibilité des pièces de rechange.

Cette Garantie Limitée s'applique aux É.-U., au Canada et au Mexique seulement et vous donne des droits juridiques précis. L'acheteur peut également jouir d'autres droits qui varient d'une Province, d'un État ou d'un Pays à l'autre.

Compresores de Aire para Camiones de Servicio



Modelos CE7002, CE7003, CE7004

Índice

Introducción..... S1
 Medidas de seguridad S2
 Símbolos de seguridad..... S2
 Importantes instrucciones de seguridad S2
 Conozca su compresor..... S4
 Desempaque..... S5
 Instalación..... S5
 Funcionamiento S8
 Mantenimiento S9
 Guía de resolución de problemas S11
 Garantía Limitada S14



Introducción

Los compresores de aire para camiones de servicio de Campbell Hausfeld cuentan con bombas de dos pasos de hierro fundido lubricadas con aceite montadas en un tanque de 30 galones. Ideal para camiones de servicio, camiones de soldadura/mecánica o ubicaciones de sitio de trabajo sin energía eléctrica.

LOS MODELOS DE LA SERIE DE CAMIONES DE SERVICIO INCLUYEN:

- Bomba de compresor
- Receptor de aire ASME con válvula de retención
- Motor a gasolina con encendido eléctrico y alternador
- Control de válvula piloto

MARCA DEL MOTOR POR MODELO:

- Motor CE7002 - Kohler®
- Motor CE7003 - Honda®
- Motor CE7004 - Subaru®

Referencia rápida

ACEITE RECOMENDADO (2 OPCIONES)

Aceite no detergente de viscosidad única SAE 30 ISO100 para compresores. Disponible por parte de Campbell Hausfeld, pieza número ST126701AV.

Aceite sintético 10W30 como Mobil 1®.

CAPACIDAD DE ACEITE

CE7002	2 cuartos de galón (1,8 L)
CE7003	2 cuartos de galón (1,8 L)
CE7004	2 cuartos de galón (1,8 L)

GUARDE ESTA INFORMACIÓN PARA REFERENCIA FUTURA

Número de Serie:

Nº del Modelo:

Fecha de Compra:

Medidas de Seguridad

Este manual contiene información que es muy importante que se conozca y comprenda. Esta información se proporciona con fines de SEGURIDAD y para EVITAR PROBLEMAS CON EL EQUIPO. Para ayudar a reconocer esta información, observe los siguientes símbolos.

▲ PELIGRO Peligro indica una situación inminentemente peligrosa, que si no se evita, dará como resultado la muerte o lesiones graves.

▲ ADVERTENCIA Advertencia indica una situación potencialmente peligrosa, que si no se evita, PODRÍA ocasionar la muerte o lesiones graves.

▲ PRECAUCION Precaución indica una situación potencialmente peligrosa, que si no se evita, PUEDE dar como resultado lesiones leves o moderadas.

AVISO Aviso indica una información importante, que de no seguirla, le podría ocasionar daños al equipo.

IMPORTANTE: información que requiere atención especial.

Símbolos de Seguridad

Los siguientes símbolos de seguridad aparecen a lo largo de este manual para advertirle de importantes peligros y precauciones de seguridad.



Use protección para los ojos y máscara



Lea primero el manual



Riesgo de incendio



Riesgo de piezas móviles



Riesgo de piezas calientes



Riesgo de explosión



Riesgo de vapores



Riesgo de presión



Riesgo de choque eléctrico

Sírvase leer y guardar estas instrucciones. Lea con cuidado antes de tratar de armar, instalar, manejar o darle servicio al producto descrito en este manual. Protéjase Ud. y a los demás observando todas las reglas de seguridad. El no seguir las instrucciones podría resultar en heridas y/o daños a su propiedad. Guarde este manual como referencia.

Importantes Instrucciones De Seguridad

Este manual contiene información sobre seguridad, funcionamiento y mantenimiento. Si tiene preguntas, llame al 1-888-606-5587 para obtener asistencia al cliente.

Como el compresor de aire y otros componentes usados (cabezales, pistolas pulverizadoras, filtros, lubricadores, mangueras, etc.), forman parte de un sistema de bombeo de alta presión, deberá seguir las siguientes medidas de seguridad todo el tiempo:

PROPOSICIÓN 65 DE CALIFORNIA

▲ ADVERTENCIA Este producto, o su cordón eléctrico, puede contener productos químicos conocidos por el estado de California como causantes de cáncer y defectos de nacimiento u otros daños reproductivos. Lave sus manos después de usar.

▲ ADVERTENCIA Cuando corta lija, taladra o pule materiales como por ejemplo madera, pintura, metal, hormigón, cemento, u otro tipo de mampostería se puede producir polvo. Con frecuencia este polvo contiene productos químicos que se conocen como causantes de cáncer, defectos congénitos u otros daños reproductivos. Use equipo de protección.



▲ PELIGRO

Advertencia Sobre el Aire Respirable

Este compresor/cabezal no viene listo de fábrica para suministrarle aire respirable. Antes de utilizarlos con este fin, deberá instalarle un sistema de seguridad y alarma incorporado a la línea. Este sistema adicional es necesario para filtrar y purificar el aire adecuadamente, para cumplir con las especificaciones mínimas sobre aire respirable de Grado D descritas en la Especificación de Productos G 7.1 de la Asociación de Aire Comprimido. Igualmente, deberá cumplir los requisitos establecidos por el Artículo 29 CFR 1910.134 de la Organización norteamericana OSHA y/o la Canadian Standards Associations (CSA).

RENUNCIA A LAS GARANTIAS

Si el compresor se utiliza para producir aire respirable SIN haberle instalado el sistema de seguridad y alarma, todas las garantías se anularán y la compañía Campbell Hausfeld no asumirá NINGUNA responsabilidad por pérdidas, heridas personales o daños.

INFORMACIONES GENERALES DE SEGURIDAD

- ◆ Lea con cuidado todos los manuales incluidos con este producto. Familiarícese con los controles y el uso adecuado del equipo.
- ◆ Siga todos los códigos de seguridad laboral y electricidad establecidos en su país, por ejemplo, los de la NEC y OSHA en EUA.
- ◆ Este compresor sólo debe ser usado por personas que estén bien familiarizadas con las reglas de seguridad de manejo.
- ◆ Mantenga a los visitantes alejados y NUNCA permita la presencia de niños en el área de trabajo.
- ◆ Siempre use anteojos de seguridad y protéjase los oídos para operar el cabezal o el compresor.
- ◆ No se encarama sobre el cabezal, ni lo use para sostenerse.
- ◆ Antes de cada uso, inspeccione el sistema de aire comprimido y los componentes eléctricos para ver si están dañados, deteriorados, desgastados o tienen fugas. Repare o reemplace las piezas dañadas antes de usar el equipo.
- ◆ Chequee todas las conexiones frecuentemente para cerciorarse de que estén bien apretadas.



Importantes Instrucciones De Seguridad (Continuación)

⚠ ADVERTENCIA Los motores, equipos eléctricos y controles, pueden ocasionar arcos eléctricos que se encenderían con gases o vapores inflamables. Nunca utilice o repare el compresor cerca de gases o vapores inflamables. Nunca almacene líquidos o gases inflamables cerca del compresor.



⚠ ADVERTENCIA El monóxido de carbono le puede ocasionar náuseas severas, desmayos o la muerte. No utilice el compresor dentro de un edificio con poca ventilación.



⚠ ADVERTENCIA Nunca utilice el compresor sin la tapa de las bandas. Los compresores se pueden encender automáticamente sin previo aviso. Las piezas en movimiento podrían ocasionarle heridas o daños a su propiedad.



- ◆ No se ponga ropa muy holgada o joyas, ya que éstas se le podrían enredar en las piezas en movimiento.

⚠ PRECAUCION Las piezas del compresor podrían estar calientes, inclusive cuando la unidad esté apagada.



- ◆ Mantenga los dedos alejados del compresor cuando éste esté funcionando; las piezas en movimiento o calientes, le ocasionarían heridas y/o quemaduras.
- ◆ Si el equipo comienza a vibrar excesivamente, APAGUE el motor y chequéelo inmediatamente para determinar la razón. Generalmente, la vibración excesiva se debe a una falla.

⚠ ADVERTENCIA NUNCA le ponga gasolina mientras el motor esté funcionando o caliente. El combustible podría ocasionar incendios y quemaduras de gravedad. Evite que el tanque se rebose de combustible.



- ◆ Mídale el nivel de combustible antes de encender el motor. Limpie los derrames de gasolina antes de encender el motor.

⚠ PELIGRO El vapor emitido por la gasolina es muy inflamable. Sólo debe ponerle gasolina al aire libre o en áreas bien ventiladas. No almacene, derrame o use gasolina cerca de llamas al descubierto o artefactos como cocinas, calefactores o calentadores de agua, que tienen un piloto, o ninguna fuente de chispas. Si derrama gasolina accidentalmente, mueva la unidad fuera del área y evite la creación de fuentes de ignición hasta que los vapores se hayan disipado.

- ◆ Para reducir el peligro de incendio, mantenga el exterior del motor libre de aceite, solventes o exceso de grasa.

⚠ ADVERTENCIA Este compresor está equipado con una válvula de seguridad ASME para presiones de 13,79 bar, en los de 2 etapas, o de 10,34 bar, en los de 1 etapa. Si necesita reemplazar esta válvula de seguridad ASME, debe reemplazarla con una válvula que esté diseñada para los mismos valores de flujo y presión, para proteger los componentes bajo presión contra el peligro de explosión. Estos valores están especificados en la válvula. NUNCA DESCONECTE ESTA VALVULA DE SEGURIDAD PARA REEMPLAZARLA CON UN TAPON. La válvula de seguridad del sistema de interenfriamiento de los compresores de dos etapas no protege el sistema.

⚠ ADVERTENCIA La presión máxima de trabajo de los compresores de dos etapas es 12,06 bar y la de los de una etapa es 8,61 bar. No lo utilice con el presostato o las válvulas del piloto fijadas a presiones mayores de 12,06 bar (modelos de dos etapas) ó 8,61 bar (modelos de una etapa).

- ◆ Nunca trate de ajustar la válvula de seguridad ASME. Evite que se le acumule pintura u otros residuos.
- ◆ No trate de modificar los controles del motor. Si aumenta excesivamente la velocidad del motor, podría reducir su duración y también podría ser muy peligroso.

⚠ ADVERTENCIA ¡Nunca trate de reparar o modificar el tanque! Si lo suelda, taladra o modifica de cualquier otra manera, el tanque se debilitará y podría romperse o explotar. Siempre reemplace los tanques desgastados, rotos o dañados.



AVISO

Drene el líquido del tanque diariamente.

- ◆ Los tanques se oxidan debido a la acumulación de humedad y esto debilita el tanque. Cerciórese de drenar el tanque con regularidad e inspeccionarlo periódicamente, para ver si está en malas condiciones, por ejemplo, si está oxidado.
- ◆ La circulación rápida de aire podría levantar polvo y desperdicios dañinos. Siempre libere el aire lentamente para drenar el tanque o liberar la presión del sistema.
- ◆ SIEMPRE apague el motor antes de alejarse del área de trabajo, limpiar el compresor, repararlo o inspeccionarlo. Antes de comenzar a limpiarlo, cerciórese de que todas las piezas que se mueven hayan dejado de hacerlo. Desconecte el cable de la bujía y manténgalo alejado para evitar que el motor se encienda accidentalmente.

PRECAUCIONES PARA ROCIAR

⚠ ADVERTENCIA Nunca rocíe materiales inflamables cerca de llamas al descubierto o fuentes de ignición, incluyendo el compresor.



- ◆ No fume mientras esté rociando pintura, insecticidas u otras sustancias inflamables.
- ◆ Use una máscara/respirador cuando vaya a rociar y siempre rocíe en un área bien ventilada, para evitar peligros de salud e incendios.
- ◆ Nunca rocíe pintura ni otros materiales, directamente hacia el compresor. Coloque el compresor lo más lejos posible del área de trabajo, para minimizar la acumulación de residuos en el compresor.
- ◆ Al rociar o limpiar con solventes o químicos tóxicos, siga las instrucciones del fabricante de dichos químicos.



GUARDE ESTAS INSTRUCCIONES – NO LAS DESECHE

Los símbolos de PELIGRO, ADVERTENCIA, PRECAUCIÓN, y AVISO y las instrucciones en este manual no pueden posiblemente cubrir todas las condiciones y situaciones posibles que puedan presentarse. El operador debe entender que la precaución es un factor que no puede ser incluido en el producto, sino que debe ser proporcionada por el operador.

Conozca su compresor: Serie de taller

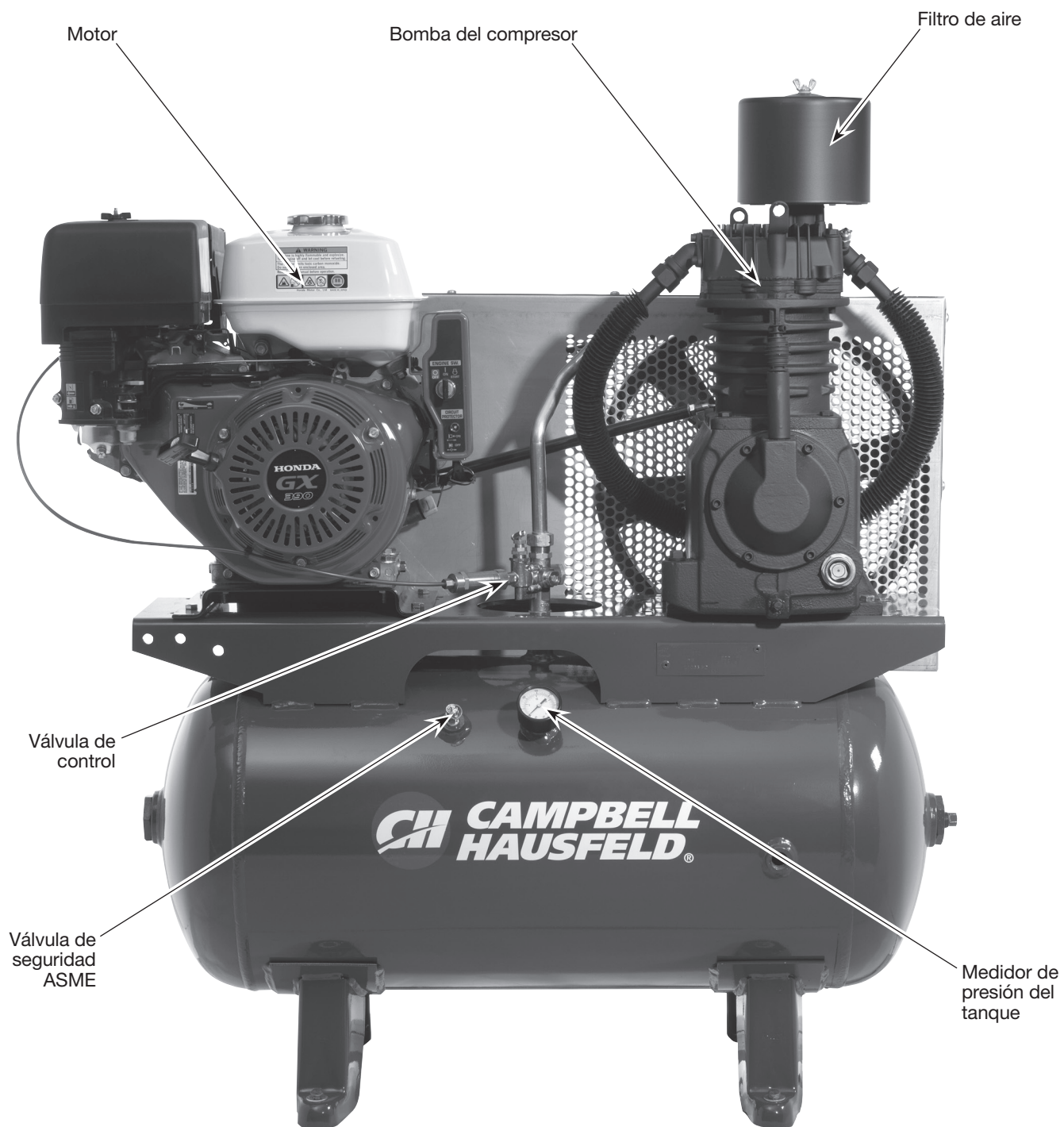


Figura 1 - Componentes de la serie de taller

Desempaque

▲ PRECAUCION *Nunca alce o mueva la unidad sin usar un equipo adecuado. Cerciórese de que la unidad esté bien segura. No la tome por los tubos o piezas del sistema de enfriamiento para levantarla. No use la unidad para alzar otros equipos.*

Después de desempacar la unidad, inspecciónela cuidadosamente para detectar cualquier daño que pueda haber ocurrido durante el envío. Verifique que no haya piezas sueltas, faltantes ni dañadas. Asegúrese de que todos los accesorios proporcionados vengan con la unidad. En caso de que tenga preguntas, o de que haya piezas dañadas o faltantes, llame a 1-888-606-5587 para obtener asistencia al cliente.

▲ ADVERTENCIA *No debe utilizar la unidad si se ha dañado durante el envío, manejo o uso. Los daños podrían ocasionar una explosión y ocasionarle heridas o daños a su propiedad.*

ARTÍCULOS ADICIONALES NO INCLUIDOS

- ◆ Aceite
- ◆ Almohadillas aisladoras de vibración

Instalación

▲ ADVERTENCIA *Desconecte el cable de la batería en los modelos de encendido electrónico y después libere toda la presión del sistema antes de tratar de instalar el compresor, darle servicio, moverlo de sitio o darle cualquier tipo de mantenimiento.*



▲ PRECAUCION *Nunca alce o mueva la unidad sin usar un equipo adecuado. Cerciórese de que la unidad esté bien segura. No la tome por los tubos o piezas del sistema de enfriamiento para levantarla. No use la unidad para alzar otros equipos.*

▲ PRECAUCION *Nunca instale el compresor sobre la base de madera en la que se envió de la fábrica.*

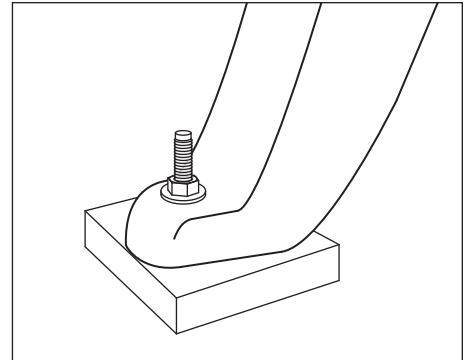


Figura 2 - Almohadillas aisladoras

ELECCIÓN DEL LUGAR

▲ PRECAUCION *Nunca coloque la entrada de aire del compresor cerca de un área donde haya vapor, donde se rocíe pintura o arena, o haya otras fuentes de contaminación.*

El compresor se debe instalar en una base que sea suficientemente fuerte y rígida para sostenerlo sin vibrar. Le recomendamos que le coloque una calza bajo las patas para nivelar el compresor, y evitar que “se mueva” o vibre excesivamente. Le recomendamos que use almohadillas aislantes. Si usa este tipo de almohadillas aislantes, debe instalar una conexión flexible entre el tanque y las tuberías que estén conectadas permanentemente al tanque.

▲ PRECAUCION *Cuando vaya a instalar el compresor permanentemente para uso estacionario o móvil como en un camión, evite apretar escesivamente las patas al “apretar en exceso los pernos” que use para conectarlo al piso.*

Instalación

PARA INSTALARLE UNA VALVULA DE CIERRE

Debe instalarle una válvula de cierre en la salida del tanque para controlar el flujo de aire que sale del tanque. La válvula se debe colocar entre el tanque y las tuberías.

Tal como se muestra en la Figura 3, conecte la válvula de salida al niple de la tubería. Instale la válvula armada en cualquiera de los dos extremos del tanque. Use cinta selladora de rosca en las roscas del niple de la tubería para evitar fugas de aire.

▲ ADVERTENCIA *Nunca instale una válvula de cierre entre el cabezal y el tanque. Ésto le podría ocasionar heridas y/o daños a su propiedad. Nunca use reductores en las tuberías de salida.*

Cuando vaya a instalar un sistema permanente de distribución de aire comprimido, debe calcular la longitud total del sistema y seleccionar las tuberías adecuadas según la tabla que le ofrecemos en este manual. Las tuberías se deben instalar bajo el nivel de congelamiento, para evitar que creen vacío donde se pueda concentrar la condensación y se congelen. Aplíquelo presión de aire a las tuberías y cerciórese de que ninguna conexión tenga fugas ANTES de cubrirlas. Antes de utilizar el compresor, cerciórese de que no haya fugas en las tuberías y conexiones y repárelas de haberlas.

TUBERIAS

▲ ADVERTENCIA *Nunca use tuberías de plástico (PVC) con aire comprimido. Ésto podría ocasionarle heridas graves.*

Cualquier tipo de tuberías o manguera que conecte al compresor deben estar diseñados para el tipo de temperaturas y presiones generadas. Todos los componentes presurizados del sistema de aire deben tener una clasificación de presión de 200 psi (13,79 bar) o superior. Si selecciona e instala una tubería o manguera incorrecta, éstas podrían explotar y ocasionarle heridas. Para conectar las tuberías al tanque, utilice conexiones del mismo tamaño que el orificio de salida.

SOLENOIDE DEL ARRANCADOR (UNIDAD CON SISTEMA DE ENCENDIDO ELECTRICO SOLAMENTE)

1. Desconecte el cable negativo del terminal de la batería antes de conectar los cables al solenoide.
2. Quítele la tuerca de 6,4 mm (1/4 pulg.) del terminal izquierdo. No haga contacto con el terminal derecho para evitar la posibilidad de que el motor se encienda.
3. Conecte el cable positivo (rojo) de la batería al terminal izquierdo y colóquelo la tuerca de 6,4 mm (1/4 pulg.). Después de apretarla con la mano, déle otra vuelta completa (Vea la Figura 5).
4. Conecte el cable negativo (negro) a tierra. El mejor sitio para conectarlo a tierra es el perno que sostiene el motor. Igualmente, lo puede conectar a otra parte adecuada del motor.
5. Conecte una vez más el cable negativo a la batería.

AVISO *Si no le instala los filtros adecuados para eliminar el agua/aceite podría ocasionarle daños a la maquinaria o pieza de trabajo.*

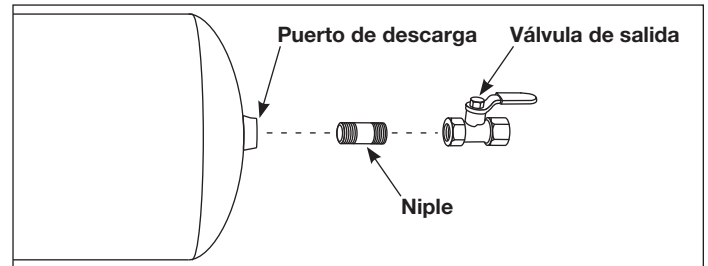


Figura 3 - Instalación de la válvula de cierre

TAMAÑO MÍNIMO DE LAS TUBERÍAS DE LAS LÍNEAS DE AIRE COMPRIMIDO

m ³ /min	Longitud de las Tuberías			
	7,62 m	15,24 m	30,48 m	76,2 m
10	12,7 mm	12,7 mm	19,1 mm	19,1 mm
20	19,1 mm	19,1 mm	19,1 mm	2,54 cm
40	19,1 mm	2,54 cm	2,54 cm	2,54 cm

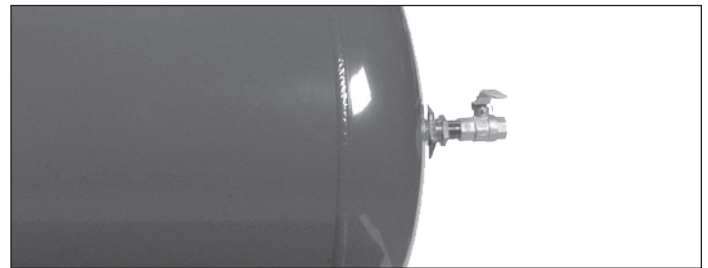


Figura 4 - Válvula de cierre

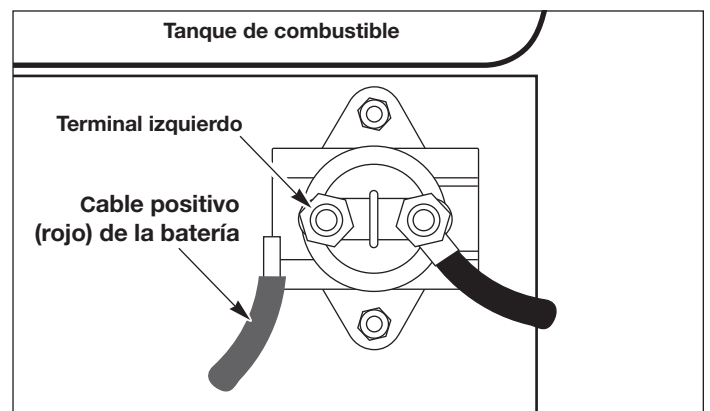


Figura 5 - Solenoide del arrancador

Instalación (Continuación)

LUBRICACION

▲ PRECAUCION *ESTA UNIDAD NO TIENE ACEITE. Antes de utilizar el compresor. Llene hasta el centro del calibrador visual (ver Figura 6).*

▲ PRECAUCION *Si utiliza cualquier otro tipo de aceite podría disminuir la duración del cabezal y dañar las válvulas.*

Aceite recomendado (2 opciones)

- Aceite no detergente de viscosidad única SAE 30 ISO100 para compresores. Disponible en Campbell Hausfeld, pieza número ST126701AV.
- Aceite sintético 10W30 como Mobil 1®.

Capacidad de aceite

Serie CE7000 2 cuartos de galón (3,7 L)

Llene la bomba con aceite hasta el centro del calibrador visual usando la abertura de llenado de aceite (ver Figura 6). **NO llene la bomba a través de la abertura de la tapa de la válvula de aire ya que esto podría causar una pérdida de aceite y que la misma rociara durante el funcionamiento.**

NOTA: puede haber algo de aceite residual aún en la bomba por las pruebas realizadas en la fábrica que dejan una capa fina en el calibrador visual, sin embargo, no hay aceite suficiente para hacer funcionar la unidad.

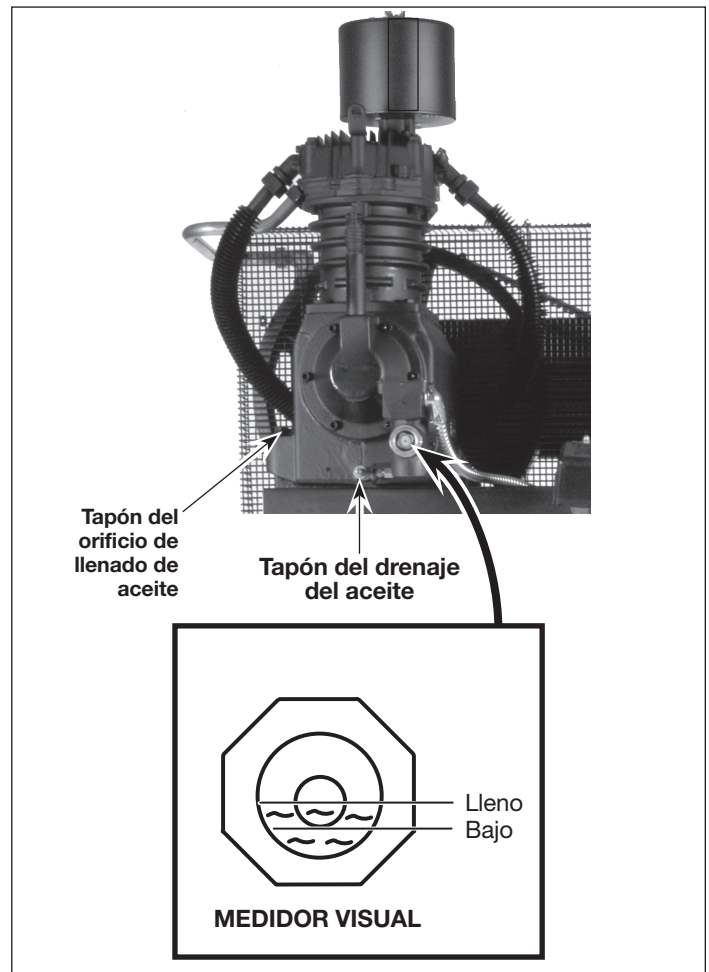


Figura 6

Funcionamiento

AVISO

Antes de encender el compresor, lea con cuidado todos los manuales de instrucciones, especialmente el del motor.

PELIGRO

Debe colocarle la tapa a las bandas antes de utilizar la unidad.



PARA EMPEZAR

1. No exceda la velocidad máxima recomendada del compresor. Ésto podría dañar el compresor y el motor.

PRECAUCION

No desconecte la batería del encendedor del motor mientras el compresor esté funcionando (Sólo en los modelos de encendido electrónico).

2. Médale el aceite a la caja del cigüeñal del compresor y del cabezal y añádale aceite si es necesario.
3. Póngale gasolina regular sin plomo, limpia y fresca (o gasolina regular con plomo si la gasolina sin plomo no está disponible) para automóviles. No mezcle gasolina con aceite.
4. Antes de iniciar el compresor, coloque la palanca alternadora en la posición de Descarga. Luego de que el motor alcance la velocidad completa, pase la palanca alternadora a la posición cargada (Vea la Figura 7).
5. La primera vez que vaya a utilizar el compresor, debe dejarlo funcionar continuamente durante una hora, para permitir que los anillos de los pistones se fijen.
 - a. Abra la llave de drenaje del tanque y deje que el compresor funcione durante 60 minutos sin carga (Vea la Figura 8).
 - b. Apague el compresor y cierre la llave de drenaje. El compresor está listo para funcionar.
6. Si la temperatura está muy fría, deje que el compresor funcione sin carga durante 10-20 minutos para que el compresor y el motor se calienten.
7. Es normal que el compresor vibre un poco durante las primeras 2-3 horas de funcionamiento. Esta vibración disminuirá una vez que las bandas y poleas se hayan fijado.

Si el compresor se utiliza bajo condiciones húmedas por períodos cortos, la humedad se condensará en la caja del cigüeñal y ocasionará que el aceite luzca cremoso. El aceite contaminado por el agua no le proveerá la lubricación adecuada y lo debe cambiar inmediatamente. Si usa aceite contaminado, los cojinetes, pistones, cilindros y anillos se dañarán y estos daños no están cubiertos por la garantía. Para evitar la condensación de agua en el aceite, periódicamente utilice el compresor con la presión del tanque a 1,38 bar, bajo las condiciones de presión máxima. Para hacerlo, abra la llave de drenaje o la válvula de aire conectada al tanque, o la manguera. Deje que el cabezal funcione por una hora en estas condiciones por lo menos una vez a la semana, o con más frecuencia, en caso de que el problema ocurra.

AVISO

Cámbiele el aceite después de 50 horas de operación.

FUNCIONAMIENTO CONTINUO

La razón por la cual los compresores con motores de gasolina están diseñados para funcionar continuamente es para garantizarle la presión de aire requerida constantemente y eliminar la necesidad de estar encendiendo el compresor constantemente. El motor y el cabezal están funcionando constantemente para mantener el tanque a la presión máxima de trabajo.

FUNCIONAMIENTO AL VACIO/DESFOGUE

Esta unidad tiene un control de funcionamiento al vacío/desfogue. Para chequear la operación:

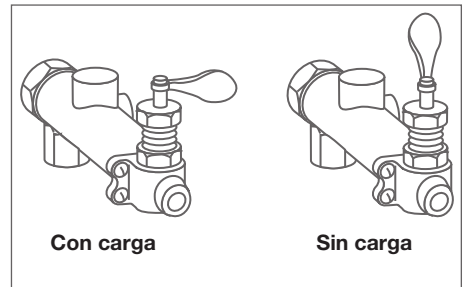


Figura 7 - Válvula de control

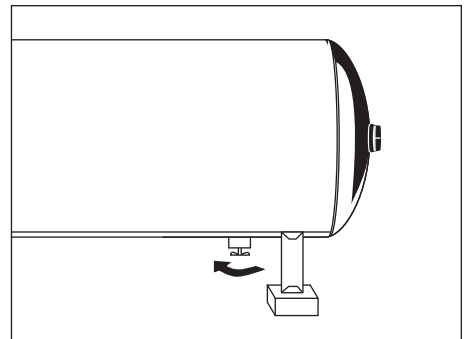


Figura 8 - Drenaje manual del tanque

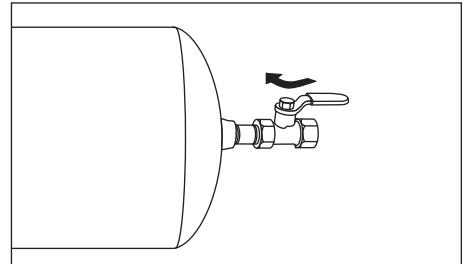


Figura 9

Funcionamiento (Continuación)

1. Cierre la válvula de desfogue (Vea la Figura 9).
2. Encienda el compresor y permita que la presión del compresor alcance el límite adecuado de la válvula de control que está fijado a 12,07 bar, en los compresores de dos etapas. Al alcanzar esta presión, el compresor debe comenzar a descargar a través del buje del respiradero de la válvula de control y el motor debe comenzar a funcionar al vacío.
3. Abra la válvula de desfogue para que la presión del tanque baje hasta alcanzar el nivel inferior de la válvula de control, fijado a 10 bar (en los modelos de 2 etapas). Al alcanzar estos niveles de presión la válvula de control se debe cerrar para que el compresor comience a acumular presión en el tanque, en vez de expulsarla a través del buje del respiradero.
4. No modifique los niveles de presión fijados o los de los controles del motor. Si necesita usar niveles más bajos, éstos se deben fijar con otro regulador de presión instalado después de la válvula de desfogue. El compresor tiene una presión máxima de trabajo de 12,07 bar (2 etapas) y no se debe operar a presiones que excedan estos límites.

Mantenimiento

⚠ ADVERTENCIA *Desconecte el cable de la batería y después libere toda la presión del sistema antes de tratar de instalar el compresor, darle servicio, moverlo de sitio o darle cualquier tipo de mantenimiento.*



Para mantener el funcionamiento eficiente del sistema del compresor, chequee el filtro de aire y mida el nivel del aceite antes de cada uso. La válvula de seguridad ASME también se debe chequear a diario. Hále el anillo de la válvula de seguridad y déjelo que regrese de nuevo en su posición original (Vea la Figura 10). Esta válvula automáticamente libera el aire del tanque si la presión excede el nivel máximo fijado de fábrica. Si hay una fuga de aire después que ha soltado el anillo, o si la válvula está atascada y no la puede activar con el anillo, deberá reemplazar la válvula de seguridad ASME.

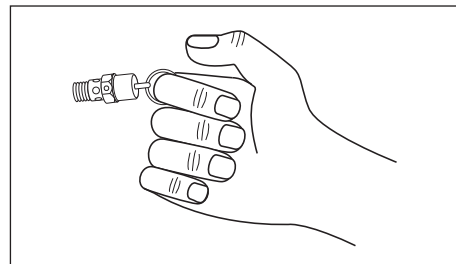


Figura 10

⚠ PELIGRO *Nunca trate de modificar las válvulas de seguridad ASME.*

⚠ PELIGRO *¡Nunca trate de reparar o modificar el tanque! Si lo suelda, taladra o modifica de cualquier otra manera, el tanque se debilitará y se podría dañar al romperse o explotar. Siempre reemplace los tanques desgastados, rotos o dañados.*



AVISO

Drene el líquido del tanque diariamente.

El tanque se debe inspeccionar cuidadosamente por lo menos una vez al año. Cerciórese de que no haya ranuras en las soldaduras. De haberlas, libere la presión del tanque inmediatamente y reemplácelo.

LUBRICACION DEL COMPRESOR

Añádale aceite al cabezal cuando sea necesario. Le debe cambiar el aceite cada 3 meses o después de 500 horas de funcionamiento; lo que ocurra primero.

IMPORTANTE: El motor de gasolina requiere cambios de aceite más frecuentes. Lea la sección de mantenimiento del motor donde se le dan instrucciones adicionales para el mantenimiento periódico.

Mantenimiento (Continuación)

FILTRO DE AIRE

Nunca utilice el cabezal del compresor sin instalarle el filtro de la entrada de aire o cuando éste esté obstruido. Use aire comprimido para limpiar el filtro. No lave ni lubrique el elemento del filtro. Si no puede limpiarlo con aire comprimido, deberá reemplazarlo. Si utiliza el compresor con el filtro sucio, podría aumentar el consumo de aceite y la contaminación con aceite del aire expulsado.

SISTEMA DE ENFRIAMIENTO INTERNO (SOLO EN LOS MODELOS DE 2 ETAPAS)

Este sistema de enfriamiento reduce la temperatura y el consumo de energía.

⚠ ADVERTENCIA *Las aletas del sistema de enfriamiento interno son afiladas, use siempre guantes y tenga mucho cuidado cuando vaya a limpiar o trabajar cerca de ellas.*

Semanalmente, chequee el sistema de enfriamiento interno para cerciorarse de que todas las conexiones estén seguras y bien apretadas. Límpieme las aletas con aire.

COMPONENTES

IMPORTANTE: Lea las instrucciones para el mantenimiento del motor donde se le dan las recomendaciones del servicio necesario.

Mensualmente, apague la unidad y limpie la culata del cilindro, motor, aletas del ventilador, líneas de aire, sistema de enfriamiento interno y tanque con aire a baja presión.

Aplíquelo agua enjabonada para chequear el sistema completo para ver si hay fugas en las conexiones. Apriete las tuercas y pernos cuando sea necesario.

BANDAS

⚠ ADVERTENCIA *Desconecte el cable de la batería y después drene el tanque para evitar que la unidad se mueva sin previo aviso.*

Chequee la tensión de las bandas cada 3 meses. Ajuste la tensión para permitir una deflexión de 1 - 2 cm al ejercer presión con el dedo (Vea la Figure 11).

Igualmente, debe ali-near las bandas usando como referencia un objeto recto entre el volante que toque el borde en ambos lados. Las bandas deben estar paralelas a esta línea recta de referencia para garantizar que estén bien alineadas (Vea la Figure 12).

ALMACENAMIENTO

Si va a almacenar el compresor por un período corto, cerciórese de que esté en su posición normal y en un área fría y bien protegida. Si va a almacenar la unidad por más de 30 días, drene completamente el combustible y el aceite del motor. Vea las instrucciones de almacenamiento en el manual del motor.

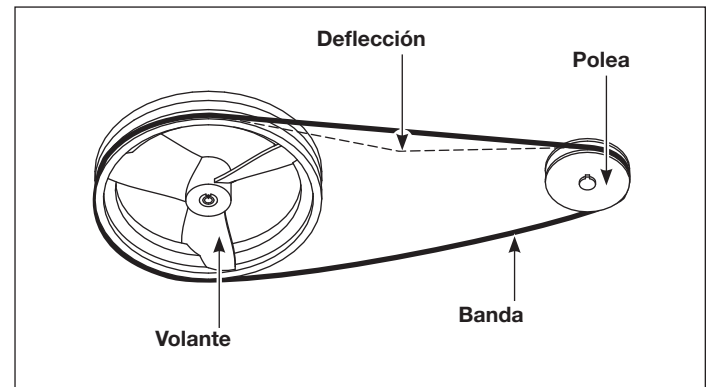


Figura 11 - Desviación de la correa

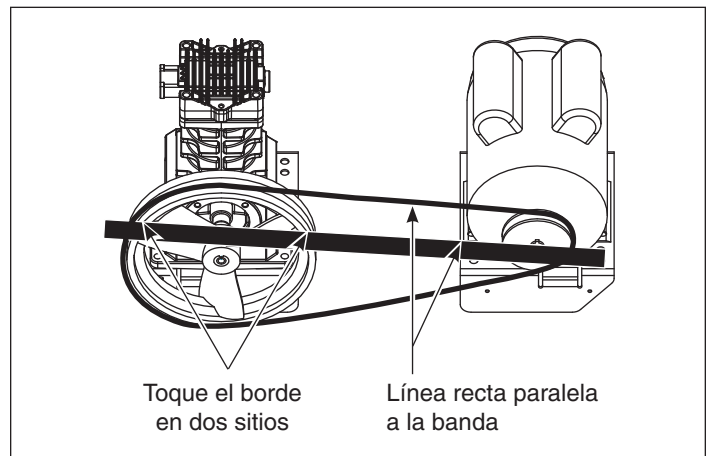


Figura 12 - Alineación de la correa

Mantenimiento (Continuación)**PROGRAMA DE MANTENIMIENTO**

Servicio Necesario	Diariamente	Semanalmente	Mensualmente	Trimestralmente
Chequee la válvula de seguridad	●			
Drene el tanque	●			
Mida el nivel de aceite	●			
Limpie o cambie el filtro de aire	●			
Chequee el sistema de enfriamiento interno		●		
Limpie los componentes			●	
Chequee la tensión de las bandas				●
Cambie el aceite				●

Guía de diagnóstico de problemas

PROBLEMA	CAUSA	SOLUCIÓN
Ruido excesivo al funcionar	<ol style="list-style-type: none"> 1. La polea, volante, banda, tapa de la banda, sistema de enfriamiento, abrazaderas o accesorios están flojos 2. Le falta aceite a la caja del cigüeñal 3. El pistón está golpeando la placa de la válvula 4. La base del compresor está floja 5. La caja del cigüeñal está dañada 6. Holgura excesiva en la caja del cigüeñal 	<ol style="list-style-type: none"> 1. Apriételes 2. Chequee los cojinetes a ver si están dañados, añádale aceite 3. Saque la culata del cilindro del compresor y revísela a ver si el pistón está sucio. Instálele un empaque nuevo y ensámblela una vez más 4. Apriétela 5. Repárela o reemplácela 6. Ajústela y acúñela adecuadamente
Golpe (ruido fuerte) – el volante golpea cada vez que gira	<ol style="list-style-type: none"> 1. Los cojinetes principales 2. Los cojinetes de la biela 3. El volante está flojo 	<ol style="list-style-type: none"> 1. Reemplace los cojinetes 2. Reemplace la biela 3. Apriételo
Hace un ruido fuerte cuando el compresor se está cargando	<ol style="list-style-type: none"> 1. Los cojinetes de la biela 2. Los pasadores de articulación, los cojinetes de los pasadores de articulación 3. La tuerca de la biela está floja 	<ol style="list-style-type: none"> 1. Reemplace la biela 2. Reemplace todo el ensamblaje del pistón 3. Apriétela
El aceite está contaminado (luce cremoso)	Hay acumulación de agua en el receptáculo de aceite debido a la alta humedad ambiental en el área donde está usando el compresor	<ol style="list-style-type: none"> a. Conecte la entrada de aire a una fuente que le suministre aire menos húmedo b. Déle servicio a la unidad (cámbele el aceite, limpie o reemplace el elemento del filtro de aire, drene el tanque) con más frecuencia

Continúa en la página siguiente

Guía de diagnóstico de problemas (Continuación)

PROBLEMA	CAUSA	SOLUCIÓN
Consumo excesivo de aceite	<ol style="list-style-type: none"> 1. La entrada de aire está restringida 2. Hay una fuga de aceite 3. Los anillos del pistón están desgastados 4. La viscosidad del aceite no es la adecuada 5. El compresor está muy desnivelado 6. El cilindro está rayado 	<ol style="list-style-type: none"> 1. Limpie o reemplace el filtro de aire 2. Apriete los pernos o reemplace el empaque 3. Reemplace los anillos 4. Drene el aceite, póngale aceite de viscosidad adecuada. Vea la sección "Lubricación del cabezal" 5. Nivele el compresor 6. Reemplace el cilindro y los anillos
El aire expulsado tiene aceite	<ol style="list-style-type: none"> 1. La entrada de aire del compresor está restringida 2. Los anillos del pistón están desgastados 3. El compresor tiene demasiado aceite 4. La viscosidad del aceite no es la adecuada 	<ol style="list-style-type: none"> 1. Limpie el elemento del filtro de aire y chequee a ver si hay otras restricciones en el sistema de entrada 2. Reemplace los anillos 3. Drénelo hasta alcanzar el nivel adecuado 4. Chequee la viscosidad. Vea la sección "Lubricación del cabezal"
El compresor vibra	<ol style="list-style-type: none"> 1. Los pernos de la base están flojos 2. El compresor no está instalado adecuadamente 3. La polea y el volante están desalineados 4. Las bandas están flojas o no son las adecuadas 5. El cigüeñal está doblado 	<ol style="list-style-type: none"> 1. Apriéte los 2. Antes de apretarlo, nivele el compresor de modo que las patas hagan contacto con el piso. Use calzas si es necesario 3. Realíne la polea y el volante 4. Apriete las bandas. Vea la sección "Mantenimiento" 5. Reemplace el cigüeñal
El compresor está expulsando aire por el orificio de entrada	La válvula de entrada está rota	Reemplace el ensamblaje de la placa de la válvula
El motor falla	La palanca del piloto de la válvula de desfogue está en la posición de carga	Coloque la palanca en la posición de desfogue
El motor a gasolina no enciende	Le falta aceite al motor. Algunos motores tienen un sistema para apagarlo automáticamente cuando le falte aceite	Añádale aceite hasta alcanzar el nivel adecuado
La presión es insuficiente para usar el compresor	<ol style="list-style-type: none"> 1. Hay fugas o restricciones 2. La entrada de aire está restringida 3. Las bandas se deslizan 4. La manguera o tubería de servicio es demasiado pequeña 5. Requerimiento excesivo de aire 6. La válvula está rota 	<ol style="list-style-type: none"> 1. Chequee la manguera o tubería a ver si hay fugas o restricciones. Repárelas o reemplácelas 2. Limpie o reemplace el elemento del filtro de aire 3. Apriete las bandas. Vea la sección "Mantenimiento" 4. Reemplácela con una manguera o tubería más grande 5. Limite el uso de aire a la capacidad del compresor; use menos herramientas o herramientas más pequeñas (menos potentes) 6. Reemplace el ensamblaje de la válvula de lengüeta

Continúa en la página siguiente

Guía de diagnóstico de problemas (Continuación)

PROBLEMA	CAUSA	SOLUCIÓN
El tanque no mantiene la presión cuando el compresor está descargado	Fuga de aire en el sistema	Ubique y repare las fugas ⚠ PELIGRO ¡Nunca trate de reparar o modificar un tanque!
Desgaste excesivo de las bandas	<ol style="list-style-type: none"> 1. La polea está desalineada 2. Las bandas están demasiado apretadas 3. Las bandas están demasiado flojas 4. La polea o el volante oscilan 5. La ranura para sostener la banda en la polea o el volante está dañada 	<ol style="list-style-type: none"> 1. Realíne la polea del motor con el volante del compresor 2. Ajuste la tensión. Vea la sección "Mantenimiento" 3. Ajuste la tensión. Vea la sección "Mantenimiento" 4. Chequee el cigüeñal, chavetero o diámetro interno de la polea a ver si se han desgastado debido al funcionamiento con las poleas flojas. Chequee el cigüeñal a ver si está doblado 5. Límelos para emparejarlos o reemplácelos
La temperatura del aire expulsado es muy alta	<ol style="list-style-type: none"> 1. La superficie del sistema de enfriamiento está sucia 2. La ventilación es inadecuada 3. El empaque de la culata está dañado 4. La entrada de aire está restringida 5. Las válvulas están desgastadas 	<ol style="list-style-type: none"> 1. Limpie las superficies de enfriamiento del cilindro, sistema de enfriamiento interno y tubo de desfogue 2. Mejore el sistema de ventilación o reubique el compresor 3. Reemplace el empaque de la culata 4. Limpie o reemplace el elemento del filtro de aire 5. Reemplace el ensamblaje de la placa de la válvula
La presión del tanque se logra lentamente	<ol style="list-style-type: none"> 1. El filtro de aire está sucio 2. El empaque de la culata del cilindro está dañado 3. Las válvulas de entrada o desfogue, están desgastadas o rotas 4. Hay fugas de aire 5. Las bandas están flojas 6. La velocidad es muy baja 	<ol style="list-style-type: none"> 1. Limpie o reemplace el elemento de filtro 2. Colóquele un empaque nuevo 3. Instale un nuevo ensamblaje de placa de la válvula 4. Apriete las conexiones 5. Apriete las bandas. Vea la sección "Mantenimiento" 6. Chequee la velocidad. Vea la tabla de "Rendimiento"
La presión del tanque se acumula muy rápido en el compresor	<ol style="list-style-type: none"> 1. Hay agua en el tanque 2. La velocidad es muy rápida 	<ol style="list-style-type: none"> 1. Drene el tanque. (Ésto lo debe hacer DIARIAMENTE) 2. Chequee la velocidad. Vea las especificaciones
La presión del compresor continua aumentando después de haber alcanzado el nivel de descarga fijado en la fábrica	<ol style="list-style-type: none"> 1. Hay una fuga severa de aire en el piloto de la válvula de desfogue 2. Hay una restricción en las líneas del descargador 	<ol style="list-style-type: none"> 1. Chequee todas las conexiones y líneas y reemplace las que tengan fugas 2. Elimine las causas de la restricción
La válvula de seguridad ASME se abre cuando el compresor está funcionando	<ol style="list-style-type: none"> 1. La válvula está fijada a un nivel incorrecto 2. La válvula de seguridad ASME está dañada 	<ol style="list-style-type: none"> 1. Ajuste la válvula a una presión inferior (la presión máxima es 12,07 bar para los compresores de dos etapas ó 8,62 bar para los de una etapa. (Vea la sección de Funcionamiento). 2. Reemplace la válvula

Recordatorio: ¡Guarde su comprobante de compra con fecha para fines de la garantía! Adjúntela a este manual o archívela en lugar seguro.

Garantía Limitada

1. DURACIÓN: La bomba del compresor y el receptor de aire tienen una garantía de tres años a partir de la fecha de compra del comprador original. El equilibrio del paquete del compresor tiene una garantía de tres años a partir de la fecha de compra del comprador original.
 2. QUIEN OTORGA ESTA GARANTÍA (EL GARANTE: Campbell Hausfeld / The Scott Fetzer Company 100 Production Drive, Harrison, Ohio 45030 Teléfono: 1-888-606-5587
 3. QUIEN RECIBE ESTA GARANTÍA (EL COMPRADOR): El comprador original (sin fines de reventa) del compresor de aire Campbell Hausfeld.
 4. PRODUCTOS CUBIERTOS POR ESTA GARANTÍA: Compresores de aire Campbell Hausfeld series CE7000, CE8000 y CE9000.
 5. COBERTURA DE LA GARANTÍA: Piezas y mano de obra para remediar los defectos de material y/o mano de obra con excepción de lo que se indica a continuación.
 6. LO QUE NO ESTÁ CUBIERTO POR ESTA GARANTÍA:
 - A. Las garantías implícitas, incluyendo aquéllas de comerciabilidad e IDONEIDAD PARA FINES PARTICULARES, ESTÁN LIMITADAS A PARTIR DE LA FECHA DE COMPRA ORIGINAL DE ACUERDO CON LO ESPECIFICADO EN EL PÁRRAFO DE DURACIÓN. En algunos estados no se permiten las limitaciones a la duración de una garantía implícita, por lo cual las limitaciones antedichas pueden no ser aplicables en su caso.
 - B. CUALQUIER PÉRDIDA DAÑO INCIDENTAL, INDIRECTO O CONSECUENTE QUE PUEDA RESULTAR DE UN DEFECTO, FALLA O MALFUNCIONAMIENTO DEL PRODUCTO CAMPBELL HAUSFELD. En algunos estados no se permite la exclusión o limitación de daños incidentales o consecuentes, por lo tanto, en tales casos esta limitación o exclusión no es aplicable
 - C. Cualquier falla debida a:
 1. Accidente o abuso del comprador
 2. Instalación incorrecta
 3. Equipo que no ha sido operado o mantenido de acuerdo con las instrucciones detalladas de Campbell Hausfeld según lo detallado en el manual de operaciones que se entrega con el compresor.
 4. Equipo que ha sido reparado o modificado sin autorización de Campbell Hausfeld.
 - D. Los servicios requeridos antes de la entrega tales como: ensamblaje, aceite o lubricantes y ajustes.
 - E. Los efectos del uso y desgaste normales.
 - F. Los motores de gasolina están específicamente excluidos de la cobertura de esta garantía limitada. El comprador debe seguir las cláusulas de la garantía otorgada por el fabricante del motor de gasolina que se suministra con el producto.
 - G. Equipo que ha sido dañado en el tránsito.
 7. RESPONSABILIDADES DEL GARANTE BAJO ESTA GARANTÍA: Reparar o reemplazar, como lo decida el Garante, el compresor o componentes que estén defectuosos, se hayan dañado o hayan dejado de funcionar adecuadamente, durante el período de validez de la garantía. Las reparaciones cubiertas por la garantía se realizarán en la ubicación del comprador.
 8. RESPONSABILIDADES DEL COMPRADOR BAJO ESTA GARANTÍA:
 - A. Suministrar prueba fechada de compra y la historia de mantenimiento del producto.
 - B. Tener cuidado al utilizar el producto, tal como se indica(n) en el (los) manual(es) del propietario.
 - C. Reparaciones que requieran tiempo adicional al horario normal de trabajo, o cualquier asunto que exceda la tarifa normal de reembolso por mano de obra para reparaciones bajo la garantía del fabricante.
 - D. El tiempo requerido por cualquier control de seguridad, capacitación relacionada con seguridad, o asuntos similares necesarios para que el personal de servicio pueda tener acceso a las instalaciones.
 - E. La ubicación de la unidad debe tener espacio suficiente para que el personal de servicio pueda realizar reparaciones y debe ser fácilmente accesible.
 9. CUÁNDO EFECTUARÁ EL GARANTE LA REPARACIÓN O REEMPLAZO CUBIERTO BAJO ESTA GARANTÍA: La reparación o reemplazo dependerá del flujo normal de trabajo del centro de servicio y de la disponibilidad de repuestos.
- Esta garantía limitada es válida sólo en los EE.UU., Canadá y México y otorga derechos legales específicos. Usted también puede tener otros derechos que varían de un Estado a otro. o de un país a otro.

