

®

SPEED AIRE



Air Compressor Pumps

Models 35WC86



SPEEDART

**PLEASE READ AND SAVE
THESE INSTRUCTIONS.
READ CAREFULLY
BEFORE ATTEMPTING
TO ASSEMBLE, INSTALL,
OPERATE OR MAINTAIN THE
PRODUCT DESCRIBED.**

**PROTECT YOURSELF AND
OTHERS BY OBSERVING ALL
SAFETY INFORMATION. FAILURE
TO COMPLY WITH INSTRUCTIONS
COULD RESULT IN PERSONAL
INJURY AND/OR PROPERTY
DAMAGE! RETAIN INSTRUCTIONS
FOR FUTURE REFERENCE.**

**PLEASE REFER TO BACK COVER
FOR INFORMATION REGARDING
DAYTON'S WARRANTY AND OTHER
IMPORTANT INFORMATION.**

Model #: _____

Serial #: _____

Purch. Date: _____

Form 5S7605/ Printed in U.S.A.

Version 0 12/2014

© 2014 Dayton Electric Manufacturing Co.

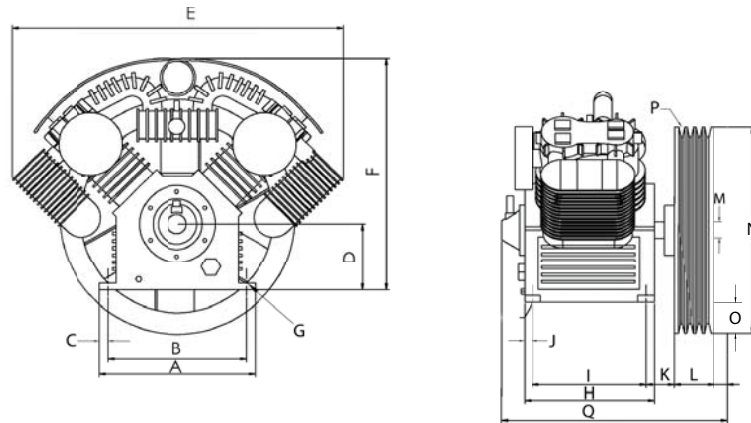
All Rights Reserved

BEFORE YOU BEGIN

⚠ WARNING A belt guard must be installed before operating the unit. An ASME code safety relief valve with a setting no higher than 200 psi **MUST** be installed in the air lines or in the compressor tank.

- ROTATION OF FLYWHEEL COUNTERCLOCKWISE WHEN FACING THE FLYWHEEL

DIMENSIONS

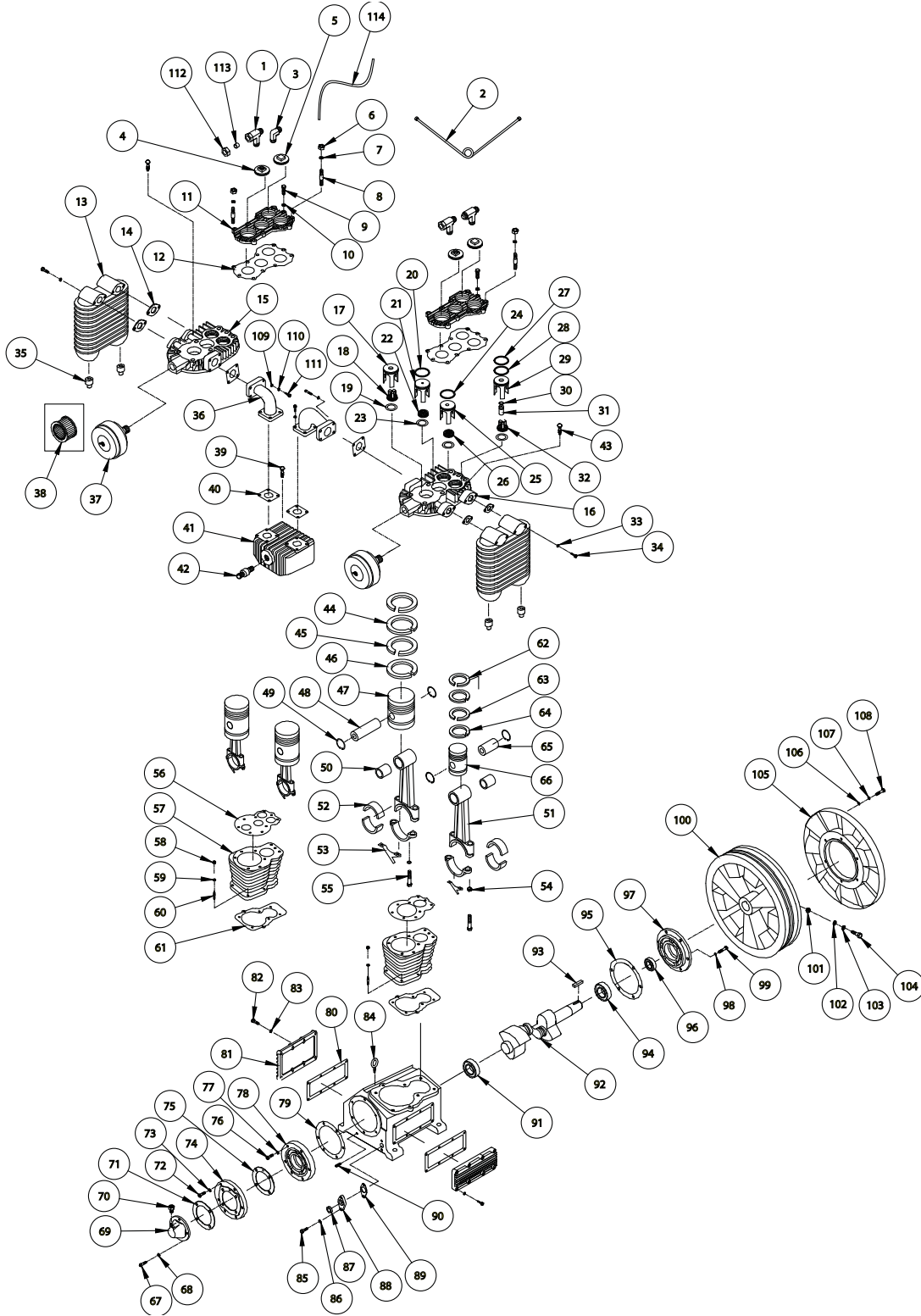


Key	Item	35WC86
A	Base-width	14.3 inch
B	Bolt down-width	12.8 inch
C	Bolt down to edge	0.75 inch
D	Base to crank CTR	6.42 inch
E	Overall width	37.8 inch
F	Overall height	28.4 inch
G	Bolt down hole dia.	0.513 inch
H	Base-depth	14.3 inch
I	Bolt down-depth	12.4 inch
J	Bolt down to edge	0.95 inch
K	Bolt to wheel (max.) down	2.6 inch
L	Flywheel width	4.9 inch
M	Shaft diameter	2 inch
N	Flywheel diameter	25.59 inch
O	Flywheel drop	6.38 inch
P	Flywheel grooves	4 VB Section
Q	Overall depth	25 inch

Quick Reference	
Recommended Oil (2 Options)	
Single viscosity SAE 30 ISO100 nondetergent compressor oil. Grainger part number 1WG49.	
10W30 synthetic oil such as Mobil 1®.	
Oil Capacity	
Approximately 6 quarts	

HP	RPM
20	540
25	700
30	850

REPAIR PARTS ILLUSTRATION FOR 35WC86



For Repair Parts, call 1-800-Grainger
24 hours a day – 365 days a year

Please provide following information:

- Model number
- Serial number (if any)
- Part description and number as shown in parts list

REPAIR PARTS LIST FOR 35WC86

Ref. No.	Description	Part Number:	Qty.
1	COMPRESSION TEE FITTING	◆	3
2	HEAD UNLOADER TUBE	◆	2
3	COMPRESSION ELBOW	◆	1
4	PLUG WITH NPT	▼	4
5	PLUG	▼	4
6	NUT	▼	18
7	SPLIT LOCK WASHER	▼	18
8	STUD	▼	14
9	BOLT	▼	6
10	SPLIT LOCK WASHER	▼	6
11	HEAD COVER	▼	2
12	GASKET, CYLINDER HEAD	TW030100AV ■ ▼	2
13	INTERCOOLER	TW030200AV	2
14	INTERCOOLER GASKET	TW030300AV ■	4
15	CYLINDER HEAD A	TW030400AV	1
16	CYLINDER HEAD B	TW030500AV	1
17	INLET VALVE COVER ASSY, LP	■	2
18	LOW PRESSURE INLET VALVE	TW030600AV ■	2
19	WASHER	TW030700AV ■	2
20	OUTLET COVER SEAL, LP	TW030800AV ■	2
21	OUTLET VALVE COVER LP	TW030900AV	2
22	LOW PRESSURE OUTLET VALVE	TW031000AV ■	2
23	WASHER	TW031100AV ■	6
24	OUTLET VAVE COVER SEAL, LP	TW031200AV ■	2
25	OUTLET VAVE COVER , HP	TW031300AV	2
26	HIGH PRESSURE OUTLET VALVE	TW031400AV ■	2
27	SEALING RING	TW031500AV ■	1
28	SEALING RING	TW031600AV ■	1
29	INLET VALVE COVER, HP	TW031700AV	2
30	SEALING RING	TW031800AV ■	2
31	MANDRIL	TW031900AV	2
32	HIGH PRESSURE INLET VALVE	TW032000AV ■	2
33	COPPER WASHER	TW032100AV	8
34	BOLT	TW032200AV	8
35	INTERCOOLER PLUG	TW032300AV	4
36	EXHAUST ELBOW	TW032400AV ✕	1
37	AIR FILTER ASSY	TW032500AV	2
38	WING NUT	--	2
39	SAFETY VALVE	TW032700AV	1
40	EXHAUST ELBOW GASKET	■ ✕	8
41	EXHAUST COOLER	--	1
42	NIPPLE	TW032800AV	1
43	SAFETY VALVE	TW032900AV	2
44	COMPRESSION RING, LP	● ■ ▲	4
45	COMPRESSION RING, LP	● ■ ▲	2
46	OIL RING, LP	● ■ ▲	2
47	LOW PRESSURE PISTON	▲	2
48	PISTON PIN, LP	▲	2
49	SNAP RING	▲ □	4
50	BUSHING/BEARING	▲	4
51	CONNECTING ROD, LP	▲ □	4
52	CRANK BEARING SHELL, LP	▲ □	4
53	DIPPER	▲ □	4
54	SPLIT LOCK WASHER	▲ □	8
55	BOLT	■ ▲ □	8
56	GASKET, CYLINDER HEAD	TW033000AV ▲ □	2
57	CYLINDER	TW033100AV	2
58	NUT	TW033200AV	16

Ref. No.	Description	Part Number:	Qty.
59	SPLIT LOCK WASHER	TW033300AV	16
60	STUD	TW033400AV	16
61	GASKET CYLINDER	TW033500AV ■ ▲ □	2
62	COMPRESSION RING, HP	▲ ■ □	4
63	COMPRESSION RING, HP	▲ ■ □	2
64	OIL RING, HP	▲ ■ □	2
65	PISTON PIN, HP	□	2
66	HIGH PRESSURE PISTON	□	2
67	HEX BOLT	◇	4
68	SPLIT LOCK WASHER	◇	4
69	BEARING COVER	◇	1
70	BREATHER ASSY	TW033600AV ◇	1
71	GASKET BEARING COVER	TW033700AV ◇ ▽	1
72	BOLT	▽	4
73	SPRING WASHER	▽	4
74	CONNECTING DISC	▽	1
75	CONNECTING DISC COVER	▽	1
76	BOLT	▽	4
77	SPRING WASHER	▽	4
78	BEARING COVER PLATE	▽	1
79	GASKET BEARING COVER PLATE	TW033800AV ▽	1
80	SIDE COVER GASKET	TW033900AV	2
81	SIDE COVER	TW034000AV ✕	2
82	BOLT	✕	16
83	SPLIT LOCK WASHER	✕	16
84	EYELET	--	1
85	BOLT	▶	2
86	WASHER	▶	4
87	SIGHT GLASS	▶	1
88	SIGHT GLASS SEAT	▶	1
89	SIGHT GLASS O-RING	▶	1
90	OIL DRAIN PLUG	TW034100AV	1
91	BEARING	TW034200AV	1
92	CRANKSHAFT	TW034300AV	1
93	INPUT SHAFT KEY	TW034400AV ✕	1
94	BEARING	TW034500AV	1
95	GASKET BEARING SEAT	TW034600AV	1
96	OIL SEAL	--	1
97	BEARING SEAT	■	1
98	SPLIT LOCK WASHER	■	6
99	BOLT	■	6
100	FLYWHEEL	TW034700AV ✕	1
101	NUT	✕	1
102	SPLIT LOCK WASHER	✕	1
103	WASHER	✕	1
104	BOLT	✕	1
105	COOLING FAN	TW034800AV ✕	1
106	SPLIT LOCK WASHER	✕	3
107	WASHER	✕	3
108	BOLT	✕	6
109	SPLIT LOCK WASHER	✕	16
110	WASHER	✕	16
111	BOLT	✕	16
112	NUT	◆	7
113	FERRULE	◆	7
114	TUBE	◆	2

REPAIR PARTS LIST FOR 35WC86

Ref. No.	Description	Part Number:	Qty.
Replacement Kits and Accessories			
●	LP PISTON RING SET	TW034900AV	1
▲	HP PISTON RING SET	TW035000AV	1
■	TOP END REBUILD KIT (ONE SIDE)	TW035100AV	1
◆	UNLOADER LINE KIT	TW035200AV	1
▼	VALVE HEAD KIT	TW035300AV	1
✕	EXHAUST ELBOW KIT	TW035400AV	1
△	LP PISTON KIT	TW035500AV	1
□	HP PISTON KIT	TW035600AV	1
◇	FRONT BEARING COVER KIT WITH BREATHER	TW035700AV	1
▽	FRONT BEARING HOUSING KIT	TW035800AV	1
⊗	SIDE COVER KIT	TW035900AV	1
▷	SIGHT GLASS KIT	TW036000AV	1
■	REAR COVER KIT	TW036100AV	1
♣	FLYWHEEL/FAN HARDWARE KIT	TW036200AV	1
--	NOT AVAILABLE		
†	STANDARD HARDWARE ITEM, AVAILABLE LOCALLY		

TORQUE VALUES

Ref. No.	Description	Torque
6	3/8-16 SCREW, HEAD	42 ft. lb. (5,8 kg m)
26	3/8-24 SCREW, CYLINDER	15 ft. lb. (2,1 kg m)
30	5/16-18 SCREW, CONNECTING ROD	14 ft. lb. (1,9 kg m)
32	5/16-18 SCREW, BEARING CAP	14 ft. lb. (1,9 kg m)
51	1/2 INCH TORQUE SCREW, FLYWHEEL	50 ft. lb. (6,9 kg m)
75	HEAD TO VALVE PLATE SCREW	100 in. lb. (115,30 kg cm)

GETTING STARTED

SAFETY / SPECIFICATIONS

ASSEMBLY / INSTALLATION

OPERATION

TROUBLESHOOTING

MAINTENANCE / REPAIR

SPEEDAIRE THREE-YEAR LIMITED WARRANTY

SPEEDAIRE THREE-YEAR LIMITED WARRANTY. All Speedaire® product models covered in this manual are warranted by Dayton Electric Mfg. Co. ("Dayton") to the original user against defects in workmanship or materials under normal use for three years after date of purchase. If the Speedaire Product is part of a set, only the portion that is defective is subject to this warranty. Any product or part which is determined to be defective in material or workmanship and returned to an authorized service location, as Dayton or Dayton's designee designates, shipping costs prepaid, will be, as the exclusive remedy, repaired or replaced with a new or reconditioned product or part of equal utility or a full refund given, at Dayton's or Dayton's designee's option, at no charge. For limited warranty claim procedures, see "Warranty Service" below. This warranty is void if there is evidence of misuse, mis-repair, mis-installation, abuse or alteration. This warranty does not cover normal wear and tear of Speedaire Products or portions of them, or products or portions of them which are consumable in normal use. This limited warranty gives purchasers specific legal rights, and you may also have other rights which vary from jurisdiction to jurisdiction.

WARRANTY DISCLAIMERS AND LIMITATIONS OF LIABILITY RELATING TO ALL CUSTOMERS FOR ALL PRODUCTS

LIMITATION OF LIABILITY. TO THE EXTENT ALLOWABLE UNDER APPLICABLE LAW, DAYTON'S LIABILITY FOR CONSEQUENTIAL AND INCIDENTAL DAMAGES IS EXPRESSLY DISCLAIMED. DAYTON'S LIABILITY IN ALL EVENTS IS LIMITED TO AND SHALL NOT EXCEED THE PURCHASE PRICE PAID.

WARRANTY DISCLAIMER. A DILIGENT EFFORT HAS BEEN MADE TO PROVIDE PRODUCT INFORMATION AND ILLUSTRATE THE SPEEDAIRE PRODUCTS IN THIS LITERATURE ACCURATELY; HOWEVER, SUCH INFORMATION AND ILLUSTRATIONS ARE FOR THE SOLE PURPOSE OF IDENTIFICATION, AND DO NOT EXPRESS OR IMPLY A WARRANTY THAT THE SPEEDAIRE PRODUCTS ARE MERCHANTABLE, OR FIT FOR A PARTICULAR PURPOSE, OR THAT THE SPEEDAIRE PRODUCTS WILL NECESSARILY CONFORM TO THE ILLUSTRATIONS OR DESCRIPTIONS. EXCEPT AS PROVIDED BELOW, NO WARRANTY OR AFFIRMATION OF FACT, EXPRESSED OR IMPLIED, OTHER THAN AS STATED IN THE "LIMITED WARRANTY" ABOVE IS MADE OR AUTHORIZED BY DAYTON.

PRODUCT SUITABILITY. MANY JURISDICTIONS HAVE CODES AND REGULATIONS GOVERNING SALES, CONSTRUCTION, INSTALLATION, AND/OR USE OF PRODUCTS FOR CERTAIN PURPOSES, WHICH MAY VARY FROM THOSE IN NEIGHBORING AREAS. WHILE ATTEMPTS ARE MADE TO ASSURE THAT SPEEDAIRE PRODUCTS COMPLY WITH SUCH CODES, DAYTON CANNOT GUARANTEE COMPLIANCE, AND CANNOT BE RESPONSIBLE FOR HOW THE PRODUCT IS INSTALLED OR USED. BEFORE PURCHASE AND USE OF A PRODUCT, REVIEW THE SAFETY/SPECIFICATIONS, AND ALL APPLICABLE NATIONAL AND LOCAL CODES AND REGULATIONS, AND BE SURE THAT THE SPEEDAIRE PRODUCT, INSTALLATION, AND USE WILL COMPLY WITH THEM.

CONSUMERS ONLY. CERTAIN ASPECTS OF DISCLAIMERS ARE NOT APPLICABLE TO CONSUMER PRODUCTS SOLD TO CONSUMERS; (A) SOME JURISDICTIONS DO NOT ALLOW THE EXCLUSION OR LIMITATION OF INCIDENTAL OR CONSEQUENTIAL DAMAGES, SO THE ABOVE LIMITATION OR EXCLUSION MAY NOT APPLY TO YOU; (B) ALSO, SOME JURISDICTIONS DO NOT ALLOW A LIMITATION ON HOW LONG AN IMPLIED WARRANTY LASTS, SO THE ABOVE LIMITATION MAY NOT APPLY TO YOU; AND (C) BY LAW, DURING THE PERIOD OF THIS LIMITED WARRANTY, ANY IMPLIED WARRANTIES OF MERCHANTABILITY OR FITNESS FOR A PARTICULAR PURPOSE APPLICABLE TO CONSUMER PRODUCTS PURCHASED BY CONSUMERS, MAY NOT BE EXCLUDED OR OTHERWISE DISCLAIMED.

THIS LIMITED WARRANTY ONLY APPLIES TO SPEEDAIRE PRODUCTS PURCHASED BY UNITED STATES PURCHASERS FOR DELIVERY IN THE UNITED STATES.

WARRANTY SERVICE

To obtain warranty service if you purchased the covered product directly from W.W. Grainger, Inc. ("Grainger"), (i) write or call or visit the local Grainger branch from which the product was purchased or another Grainger branch near you (see www.grainger.com for a listing of Grainger branches); or (ii) contact Grainger by going to www.grainger.com and clicking on the "Contact Us" link at the top of the page, then clicking on the "Email us" link; or (iii) call Customer Care (toll free) at 1-888-361-8649. To obtain warranty service if you purchased the covered product from another distributor or retailer, (i) go to www.grainger.com for Warranty Service; (ii) write or call or visit a Grainger branch near you; or (iii) call Customer Care (toll free) at 1-888-361-8649. In any case, you will need to provide, to the extent available, the purchase date, the original invoice number, the stock number, a description of the defect and anything else specified in this Speedaire Three-Year Limited Warranty. You may be required to send the product in for inspection at your cost. You can follow up on the progress of inspections and corrections in the same ways. Title and risk of loss pass to buyer on delivery to common carrier, so if product was damaged in transit to you, file claim with carrier, not the retailer, Grainger or Dayton. For warranty information for purchasers and/or delivery outside the United States, please contact:

**Dayton Electric Mfg. Co.,
100 Grainger Parkway, Lake Forest, IL 60045 U.S.A.
or call +1-888-361-8649**

®

SPEEDWAY



Cabezales para Compresores de Aire

Modelos 35WC86



SPEEDARTE

POR FAVOR, LEA Y GUARDE ESTAS INSTRUCCIONES. LEALAS CUIDADOSAMENTE ANTES DE TRATAR DE MONTAR, INSTALAR, OPERAR O DAR MANTENIMIENTO AL PRODUCTO AQUI DESCRITO.

PROTEJASE USTED MISMO Y A LOS DEMAS OBSERVANDO TODA LA INFORMACION DE SEGURIDAD. ¡EL NO CUMPLIR CON LAS INSTRUCCIONES PUEDE OCASIONAR DAÑOS, TANTO PERSONALES COMO A LA PROPIEDAD! GUARDE ESTAS INSTRUCCIONES PARA REFERENCIA EN EL FUTURO.

CONSULTE LA CUBIERTA POSTERIOR PARA VER LA INFORMACION DE GARANTIA DE DAYTON Y OTRA INFORMACION IMPORTANTE.

Núm. de Modelo: _____

Núm. de Serie: _____

Fecha de Compra: _____

Formulario 5S7605/ Impreso en EUA

Versión 0 12/2014

© 2014 Dayton Electric Manufacturing Co.

Reservados todos los derechos

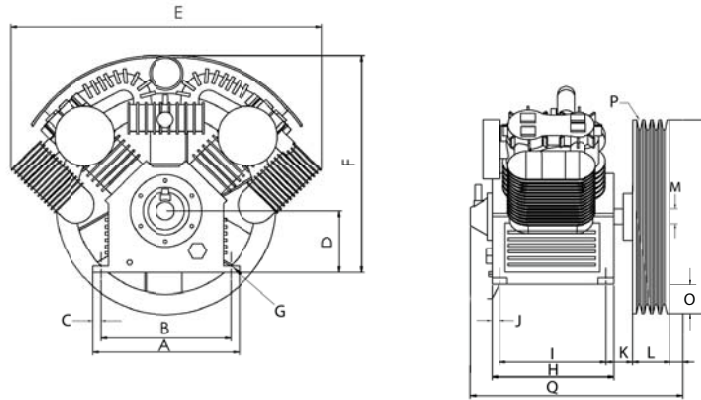
ANTES DE COMENZAR

⚠ ADVERTENCIA

Debe colocarle la tapa a las bandas antes de utilizar la unidad. DEBE instalar le una válvula de seguridad ASME que esté diseñada para presiones máximas de 13,79 bar, en las líneas de aire o en el tanque de compresor.

- El volante debe girar en sentido contrario a las agujas del reloj al observarlo desde el frente del volante

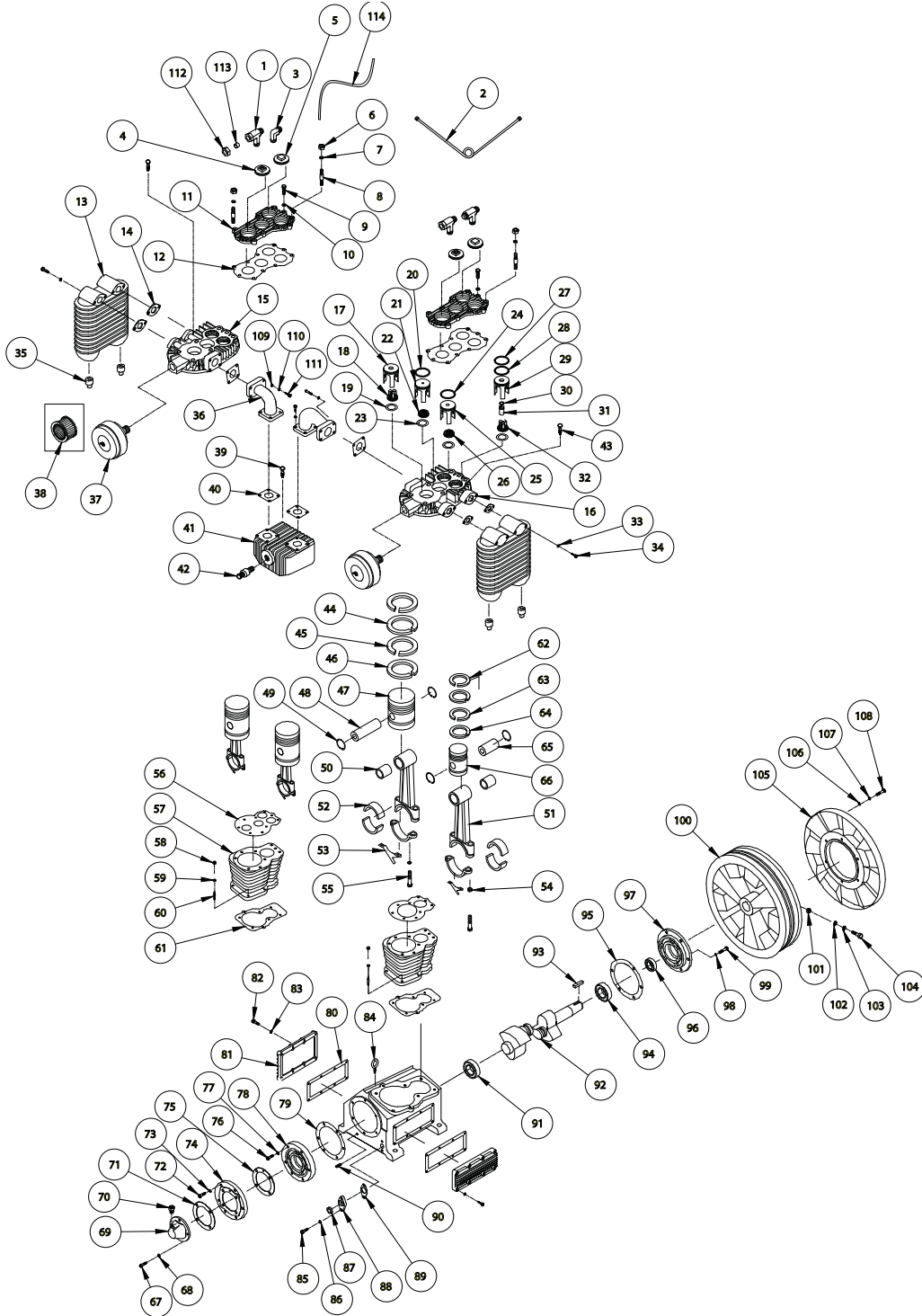
DIMENSIONES



Clave	Descripción	35WC86 (10 CP)
A	Ancho de la base	14,30 cm
B	Dist. entre los pernos	32,51 cm
C	Dist. entre perno-borde	1,91 cm
D	Base al centro del eje	16,31 cm
E	Ancho total	96,01 cm
F	Alt. total	72,14 cm
G	Diám. orificio de los pernos	1,30 cm
H	Profundidad de la base	36,32 cm
I	Dist. entre los pernos (Vert.)	31,50 cm
J	Distancia entre el perno/borde	2,41 cm
K	Dist. máx. entre perno/volante	6,60 cm
L	Ancho del volante	12,45 cm
M	Diámetro de la manivela	5,08 cm
N	Diámetro del volante	65,00 cm
O	Paso del volante	16,21 cm
P	Ranuras del volante	4 VB Sec.
Q	Profundidad total	63,50 cm

Referencia Rápida
Aceite Recomendado (2 Opciones)
Aceite no detergente de viscosidad única SAE 30 ISO100 para compresores. Número de parte Grainger 1WG49.
Aceite sintético 10W30 como Mobil 1®.
Capacidad De Aceite
6 cuartos de galón (5,68 L) [por bomba]

HP	RPM
20	540
25	700
30	850



**Para Obtener Partes de Reparación
en México llame al 001-800-527-2331
en EE.UU. llame al 1-800-Grainger**

24 horas al día, 365 días al año

Por favor proporcione la siguiente información:

- Número de modelo
- Número de serie (si lo tiene)
- Descripción de la parte y número que le corresponde en la lista de partes

LISTA DE PARTES DE REPARACION PARA LOS MODELOS 35WC86

No. de Ref.	Descripción	Número de Parte:	Cant.	No. de Ref.	Descripción	Número de Parte:	Cant.
1	CADAPTADOR EN T DE COMPRESIÓN	◆	3	45	ANILLO DE COMPRESIÓN, BP	●■△	2
2	CABEZAL DE TUBO DE DESCARGA	◆	2	46	ANILLO DE ACEITE BP	●■△	2
3	COMPRESSION ELBOW	◆	1	47	PISTÓN DE BAJA PRESIÓN	△	2
4	TAPÓN CON NPT	▼	4	48	PASADOR DEL PISTÓN, BP	△	2
5	TAPÓN	▼	4	49	ANILLO A PRESIÓN	△□	4
6	TUERCA	▼	18	50	BUJE/COJINETE	△	4
7	ARANDELA PARTIDA DE SEGURIDAD	▼	18	51	BARRA CONECTORA, BP	△□	4
8	PRISIONERO	▼	14	52	CÁRCASA DE COJINETE CIGÜEÑAL, BP	△□	4
9	PERNO	▼	6	53	CUCHARÓN	△□	4
10	ARANDELA PARTIDA DE SEGURIDAD	▼	6	54	ARANDELA PARTIDA DE SEGURIDAD	△□	8
11	PTAPA DEL CABEZAL	▼	2	55	PERNO	■△□	8
12	EMPAQUE DE LA CULATA DEL CILINDRO	TW030100AV ■▼	2	56	EMPAQUE DE LA CULATA DEL CILINDRO	TW033000AV △□	2
13	INTERENFRIADOR	TW030200AV	2	57	CYLINDRO	TW033100AV	2
14	JUNTA DE INTERCAMBIADOR TÉRMICO	TW030300AV ■	4	58	TUERCA	TW033200AV	16
15	CABEZA DE CILINDRO A	TW030400AV	1	59	ARANDELA PARTIDA DE SEGURIDAD	TW033300AV	16
16	CABEZA DE CILINDRO B	TW030500AV	1	60	PRISIONERO	TW033400AV	16
17	ENSAMBLAJE DE CUBIERTA DE LA VÁLVULA DE ENTRADA, BP	■	2	61	EMPAQUE DEL CILINDRO	TW033500AV ■△□	2
18	VÁLVULA DE ENTRADA DE BAJA PRESIÓN	TW030600AV ■	2	62	ANILLO DE COMPRESIÓN, AP	▲■□	4
19	ARANDELA	TW030700AV ■	2	63	ANILLO DE COMPRESIÓN, AP	▲■□	2
20	SELLO DE TAPA DE SALIDA, BP	TW030800AV ■	2	64	ANILLO DE ACEITE, AP	▲■□	2
21	TAPA PARA LA VÁLVULA DE EXPULSIÓN BP	TW030900AV	2	65	PASADOR DEL PISTÓN, AP	□	2
22	VÁLVULA DE EXPULSIÓN DE BAJA PRESIÓN	TW031000AV ■	2	66	PISTÓN DE ALTA PRESIÓN	□	2
23	ARANDELA	TW031100AV ■	6	67	PERNO HEXAGONAL	◇	4
24	SELLO DE TAPA PARA LA VÁLVULA DE EXPULSIÓN, BP	TW031200AV ■	2	68	ARANDELA PARTIDA DE SEGURIDAD	◇	4
25	TAPA PARA LA VÁLVULA DE EXPULSIÓN, AP	TW031300AV	2	69	CUBIERTA DEL COJINETE	◇	1
26	VÁLVULA DE EXPULSIÓN DE ALTA PRESIÓN	TW031400AV ■	2	70	ENSAMBLAJE DEL RESPIRADERO	TW033600AV ◇	1
27	ANILLO DE SELLADO	TW031500AV ■	1	71	CUBIERTA DE LA JUNTA DEL COJINETE	TW033700AV ◇▽	1
28	ANILLO DE SELLADO	TW031600AV ■	1	72	PERNO	▽	4
29	TAPA PARA LA VÁLVULA DE ENTRADA, AP	TW031700AV	2	73	SPRING ARANDELA	▽	4
30	ANILLO DE SELLADO	TW031800AV ■	2	74	DISCO CONECTOR	▽	1
31	MANDRIL	TW031900AV	2	75	CUBIERTA DEL DISCO CONECTOR	▽	1
32	VÁLVULA DE ENTRADA DE ALTA PRESIÓN	TW032000AV ■	2	76	PERNO	▽	4
33	COPPER ARANDELA	TW032100AV	8	77	ARANDELA DE RESORTE	▽	4
34	PERNO	TW032200AV	8	78	PLACA DE CUBIERTA DEL COJINETE	▽	1
35	TAPÓN DEL INTERCAMBIADOR TÉRMICO	TW032300AV	4	79	PLACA DE CUBIERTA DEL COJINETE	TW033800AV ▽	1
36	CODO DE ESCAPE	TW032400AV ✕	1	80	TAPAJUNTA DE CUBIERTA LATERAL	TW033900AV	2
37	ENSAMBLAJE DEL FILTRO DE AIRE	TW032500AV	2	81	CUBIERTA LATERAL	TW034000AV ✕	2
38	TUERCA MARIPOSA	--	2	82	PERNO	✕	16
39	VÁLVULA DE SEGURIDAD	TW032700AV	1	83	ARANDELA PARTIDA DE SEGURIDAD	✕	16
40	JUNTA DEL CODO DE ESCAPE	■ ✕	8	84	OJETE	--	1
41	REFRIGERADOR DE ESCAPE	--	1	85	PERNO	▶	2
42	NIPLE	TW032800AV	1	86	ARANDELA	▶	4
43	VÁLVULA DE SEGURIDAD	TW032900AV	2	87	VENTANILLA	▶	1
44	ANILLO DE COMPRESIÓN, BP	●■△	4	88	ASIENTO DE LA MIRILLA DE CRISTAL	▶	1
				89	JUNTA TÓRICA DE MIRILLA DE CRISTAL	▶	1
				90	TAPÓN DEL DRENAJE DEL ACEITE	TW034100AV	1

PARA COMENZAR

SEGURIDAD /
ESPECIFICACIONES

MONTAJE / INSTALACION

OPERACION

IDENTIFICACION
DE PROBLEMAS

MANTENIMIENTO
/REPARACION

LISTA DE PARTES DE REPARACION PARA LOS MODELOS 35WC86

No. de Ref.	Descripción	Número de Parte:	Cant.
91	COJINETE	TW034200AV	1
92	CIGÜEÑAL	TW034300AV	1
93	CHAVETA DE DISCO	TW034400AV ❖	1
94	COJINETE	TW034500AV	1
95	JUNTA DEL ASIENTO DEL COJINETE	TW034600AV	1
96	SELLO DEL SISTEMA DE LUBRICACIÓN	--	1
97	ASIENTO DEL COJINETE	■	1
98	ARANDELA PARTIDA DE SEGURIDAD	■	6
99	PERNO	■	6
100	VOLANTE	TW034700AV ❖	1
101	TUERCA	❖	1
102	ARANDELA PARTIDA DE SEGURIDAD	❖	1
103	ARANDELA	❖	1
104	PERNO	❖	1
105	VENTILADOR DE ENFRIAMIENTO	TW034800AV ❖	1
106	ARANDELA PARTIDA DE SEGURIDAD	❖	3
107	ARANDELA	❖	3
108	PERNO	❖	6
109	ARANDELA PARTIDA DE SEGURIDAD	✕	16
110	ARANDELA	✕	16
111	PERNO	✕	16
112	TUERCA	◆	7
113	CASQUILLO	◆	7
114	TUBO	◆	2
Juego De Repuestos y Accesorios			
●	JUEGO DE ANILLOS DEL PISTÓN DE BP	TW034900AV	1
▲	JUEGO DE ANILLOS DEL PISTÓN DE AP	TW035000AV	1
■	JUEGO DE REACONDICIONAMIENTO DEL EXTREMO DE LA CORONILLA (UN LADO)	TW035100AV	1
◆	JUEGO DE LÍNEA DE DESCARGA	TW035200AV	1
▼	JUEGO DECABEZAL DE VÁLVULA	TW035300AV	1
✕	JUEGO DE CODO DE ESCAPE	TW035400AV	1
△	JUEGO DE PISTONES DE BP	TW035500AV	1
□	JUEGO DE PISTONES DE AP	TW035600AV	1
◇	JUEGO DE COJINETE FRONTAL CON RESPIRADOR	TW035700AV	1
▽	JUEGO DE CAJA PROTECTORA DEL COJINETE FRONTAL	TW035800AV	1
⊗	JUEGO DE CUBIERTA LATERAL	TW035900AV	1
▷	JUEGO DEL VISOR DE VIDRIO	TW036000AV	1
■	JUEGO DE CUBIERTA TRASERA	TW036100AV	1
❖	JUEGO DE VOLANTE/SOPORTE FÍSICO DEL VENTILADOR	TW036200AV	1
--	NO DISPONIBLE		
†	ARTÍCULO DISPONIBLE EN FERRETERÍAS LOCALES		

VALORES DE LOS TORQUES

# de Ref.	Descripción	Torque
6	Tornillo de 9,5mm (3/8 pulg.)-16, culata	42 ft. lb. (5,8 kg m)
26	Tornillo de 9,5mm (3/8 pulg.)-24, cilindro	15 ft. lb. (2,1 kg m)
30	Tornillo de 7,9mm (5/16 pulg.)-18, biela	14 ft. lb. (1,9 kg m)
32	Tornillo de 7,9mm (5/16 pulg.)-18, tapa de cojinetes	14 ft. lb. (1,9 kg m)
51	Tornillo de torque de 12,7mm (1/2 pulg.), volante	50 ft. lb. (6,9 kg m)
75	Tornillo de placa culata-a-válvula	100 in. lb. (115,30 kg cm)

PARA COMENZAR

SEGURIDAD / ESPECIFICACIONES

MONTAJE / INSTALACION

OPERACION

IDENTIFICACION DE PROBLEMAS

MANTENIMIENTO / REPARACION

GARANTIA LIMITADA DE SPEEDAIRE POR TRES AÑOS

GARANTIA LIMITADA DE SPEEDAIRE POR TRES AÑOS. Dayton Electric Mfg. Co. ("Dayton") le garantiza al usuario original que todos los modelos de los productos Speedaire® tratados en este manual están libres de defectos en la mano de obra o el material, cuando se les somete a uso normal, por tres años a partir de la fecha de compra. Si el producto Speedaire es parte de un juego, sólo la parte defectuosa está sujeta a esta garantía. Cualquier producto o parte que se halle defectuoso, ya sea en el material o en la mano de obra, y sea devuelto (con los costos de envío pagados por adelantado) a un centro de servicio autorizado designado por Dayton o por una entidad designada por Dayton, será reparado o reemplazado (no existe otra posibilidad) por un producto o parte nuevo o reacondicionado de igual uso o se le reembolsará el costo total, según lo determine Dayton o una entidad designada por Dayton, libre de costo. Para obtener información sobre los procedimientos de reclamo cubiertos en la garantía limitada, vea la sección "Servicio de Garantía" que aparece más adelante. Se anulará esta garantía si se detecta evidencia de mal uso, reparación defectuosa, instalación defectuosa, abuso o modificación. Esta garantía no cubre desgaste y ruptura normal de los productos Speedaire o parte de los mismos, o productos o partes de los mismos que se pueden utilizar durante uso normal. Esta garantía limitada les otorga a los compradores derechos legales específicos y también puede usted tener otros derechos que varíen de jurisdicción a jurisdicción.

EXCLUSIÓN DE RESPONSABILIDAD DE LA GARANTÍA Y LÍMITES DE RESPONSABILIDAD RELACIONADOS A TODOS LOS CLIENTES PARA TODOS LOS PRODUCTOS

LÍMITES DE RESPONSABILIDAD. EN LA MEDIDA EN QUE LAS LEYES APLICABLES LO PERMITAN, LA RESPONSABILIDAD DE DAYTON POR LOS DAÑOS EMERGENTES O INCIDENTALES ESTA EXPRESAMENTE EXCLUIDA. LA RESPONSABILIDAD DE DAYTON EXPRESAMENTE ESTA LIMITADA Y NO PUEDE EXCEDER EL PRECIO DE COMPRA PAGADO POR EL ARTICULO.

EXCLUSIÓN DE RESPONSABILIDAD DE LA GARANTÍA. SE HA HECHO UN ESFUERZO DILIGENTE PARA PROPORCIONAR INFORMACION E ILUSTRACIONES APROPIADAS SOBRE LOS PRODUCTOS SPEEDAIRE EN ESTE MANUAL; SIN EMBARGO, ESTA INFORMACION Y LAS ILUSTRACIONES TIENEN COMO UNICO PROPOSITO LA IDENTIFICACION DE LOS PRODUCTOS Y NO EXPRESAN NI IMPLICAN GARANTIA DE QUE LOS PRODUCTOS SPEEDAIRE SEAN VENDIBLES O ADECUADOS PARA UN PROPOSITO EN PARTICULAR NI QUE SE AJUSTAN NECESARIAMENTE A LAS ILUSTRACIONES O DESCRIPCIONES. CON EXCEPCION DE LO QUE SE ESTABLECE A CONTINUACION, DAYTON NO HACE NI AUTORIZA NINGUNA GARANTIA O AFIRMACION DE HECHO, EXPRESA O IMPLICITA, QUE NO SEA ESTIPULADA EN LA "GARANTIA LIMITADA" ANTERIOR.

ADAPTACION DEL PRODUCTO. MUCHAS JURISDICCIONES TIENEN CODIGOS O REGULACIONES SOBRE LA VENTA, EL DISEÑO, LA INSTALACION Y/O EL USO DE PRODUCTOS PARA CIERTAS APLICACIONES; DICHAS LEYES PUEDEN VARIAR DE UN AREA A OTRA. SI BIEN SE TRATA DE QUE LOS PRODUCTOS SPEEDAIRE CUMPLAN CON DICHS CODIGOS, NO SE PUEDE GARANTIZAR SU CONFORMIDAD Y NO SE PUEDE HACER RESPONSABLE POR LA FORMA EN QUE SE INSTALE O USE SU PRODUCTO. ANTES DE COMPRAR Y USAR EL PRODUCTO, REVISE LA INFORMACION DE SEGURIDAD/ESPECIFICACIONES, Y TODOS LOS CODIGOS Y REGULACIONES NACIONALES Y LOCALES APLICABLES, Y ASEGURESE QUE LOS PRODUCTOS SPEEDAIRE, LA INSTALACION Y EL USO LOS CUMPLAN.

CONSUMIDOR SOLAMENTE. CIERTOS ASPECTOS DE LIMITE DE RESPONSABILIDAD NO SE APLICAN A PRODUCTOS AL CONSUMIDOR; ES DECIR (A) ALGUNAS JURISDICCIONES NO PERMITEN LA EXCLUSION NI LIMITACION DE DAÑOS INCIDENTALES O CONSECUENTES, DE MODO QUE LAS LIMITACIONES O EXCLUSIONES ANTERIORES QUIZAS NO APLIQUEN EN SU CASO; (B) ASIMISMO, ALGUNAS JURISDICCIONES NO PERMITEN LIMITAR EL PLAZO DE UNA GARANTIA IMPLICITA, POR LO TANTO, LA LIMITACION ANTERIOR QUIZAS NO APLIQUE EN SU CASO; Y (C) POR LEY, MIENTRAS LA GARANTIA LIMITADA ESTE VIGENTE NO PODRAN EXCLUIRSE NI LIMITARSE EN MODO ALGUNO NINGUNA GARANTIA IMPLICITA DE COMERCIALIZACION O DE IDONEIDAD PARA UN PROPOSITO EN PARTICULAR APLICABLES A LOS PRODUCTOS AL CONSUMIDOR ADQUIRIDOS POR ESTE.

ESTA GARANTIA LIMITADA APLICA UNICAMENTE A LOS PRODUCTOS SPEEDAIRE COMPRADOS POR COMPRADORES EN LOS ESTADOS UNIDOS PARA ENTREGA EN LOS ESTADOS UNIDOS.

SERVICIO DE GARANTIA

Para obtener un servicio de garantía si compró un producto cubierto directamente de W.W. Grainger, Inc. ("Grainger"), (i) escriba, llame o visite la sucursal local de Grainger donde compró el producto u otra sucursal de Grainger cerca de usted (visite www.grainger.com para obtener una lista de las sucursales); o (ii) comuníquese con Grainger visitando www.grainger.com y haga clic en el enlace "Contact Us" en la parte superior de la página, luego haga clic en enlace "Email us"; o (iii) llame a Servicio al Cliente (libre de cargo) al 1-888-361-8649. Para obtener servicio de garantía si compró el producto cubierto a través de otro distribuidor o minorista, (i), visite www.grainger.com para el Servicio de Garantía; (ii) escriba, llame o visite la sucursal de Grainger cerca de usted; o (iii) llame a Servicio al Cliente (libre de cargo) al 1-888-361-8649. En cualquiera de los casos, necesitará proporcionar, cuando esté disponible, la fecha de compra, el número de factura original, el número de pieza, una descripción del defecto, y cualquier otra información que especifique esta Garantía limitada de Speedaire por tres años. Se le podría solicitar que envíe el producto a su propio coste para que lo inspeccionen. Puede hacer un seguimiento de los avances de las inspecciones y medidas correctivas de la misma forma. El título y el riesgo de pérdida pasa del comprador en el momento de la entrega a la compañía de transporte, por lo que si el producto sufre daños durante el transporte, presente un reclamo a la compañía transportista, no al minorista, Grainger o Dayton. Para información sobre la garantía para compradores y/o entregas fuera de los Estados Unidos, comuníquese con:

**Dayton Electric Mfg. Co.,
100 Grainger Parkway, Lake Forest, IL 60045 EE.UU.
o llame al +1-888-361-8649**

®

SPEEDWAY



Pompes Pour Compresseur d'Air

Modèles 35WC86



SPEEDARTE

LIRE ET CONSERVER CES INSTRUCTIONS. IL FAUT LES LIRE ATTENTIVEMENT AVANT DE COMMENCER À ASSEMBLER, INSTALLER, FAIRE FONCTIONNER OU ENTRETENIR L'APPAREIL DÉCRIT.

POUR SE PROTÉGER ET PROTÉGER AUTRUI, OBSERVER TOUTES LES INFORMATIONS SUR LA SÉCURITÉ. NÉGLIGER D'APPLIQUER CES INSTRUCTIONS PEUT CAUSER DES BLESSURES ET/OU DES DOMMAGES MATÉRIELS! CONSERVER CES INSTRUCTIONS POUR CONSULTATION ULTÉRIEURE.

SE REPORTER AU DOS DE LA PRÉSENTE BROCHURE POUR LES INFORMATIONS CONCERNANT LA GARANTIE DAYTON ET D'AUTRES INFORMATIONS IMPORTANTES.

N° de modèle : _____

N° de série : _____

Date d'achat : _____

Brochure 5S7605/ Imprimée en É.-U.

Version 0 12/2014

© 2014 Dayton Electric Manufacturing Co.

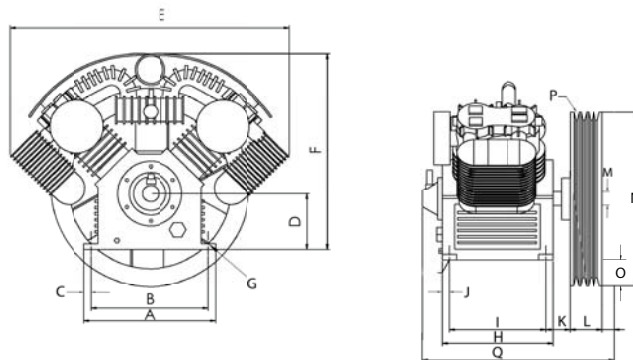
Tous droits réservés

AVANT DE COMMENCER

⚠ AVERTISSEMENT *Un carter de courroie doit être installé avant de faire fonctionner le modèle. Une soupape de sûreté ASME avec un réglage qui ne dépasse pas 1379 kPa DOIT être installée dans les canalisations d'air ou dans le réservoir pour compresseur.*

- LA ROTATION DE VOLANT EST AU SENS CONTRAIRE DES AIGUILLES D'UNE MONTRE EN FAISANT FACE AU VOLANT

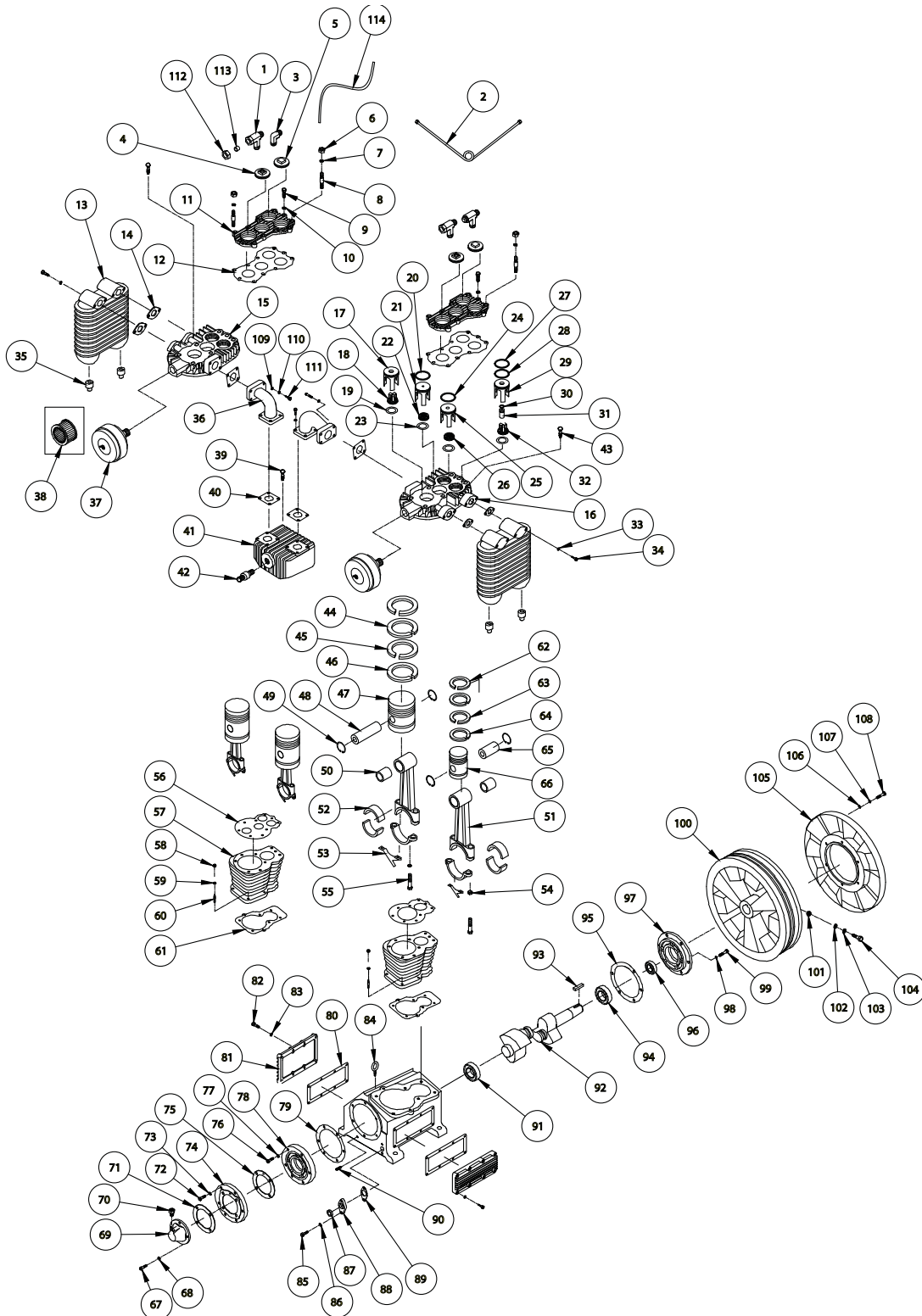
DIMENSIONS



Réf.	Article	35WC86
A	Base-largeur	14,30 cm
B	Largeur de boulonnage	32,51 cm
C	Du bolon au bord	1,91 cm
D	Base à manivelle CTR	16,31 cm
E	Largeur générale	96,01 cm
F	Hauteur générale	72,14 cm
I	Dia. du trou de boulonnage	1,30 cm
J	Base-profondeur	36,32 cm
K	Boulonnage au bord	31,50 cm
L	Boulonnage au bord	2,41 cm
M	Boulon au volant (max.) en bas	6,60 cm
N	Largeur du volant	12,45 cm
O	Diamètre de manivelle	5,08 cm
P	Diamètre du volant	65,00 cm
Q	Abaissement du volant	16,21 cm
R	Rainures du volant	4 VB Section
T	Prof. générale	63,50 cm

Référence rapide	
Huile Recommandée (2 Options)	
Huile de compresseur sans détergent à viscosité simple, SAE 30 ISO. Numéro de pièce Grainger 1WG49.	
Huile synthétique 10W30 comme Mobil 1®.	
Capacité d'huile	
5,68 l (6 pintes) [par pompe]	

HP	tr/min
20	540
25	700
30	850



Pour commander des pièces détachées, composer le 1-800-Grainger

24 heures par jour – 365 jours par an

Fournir les informations suivantes :

- Numéro de modèle
- Numéro de série (s'il y en a un)
- Description et numéro de pièce comme indiqué sur la liste des pièces

LISTE DES PIÈCES DÉTACHÉES POUR LES MODÈLES 35WC86

N° de réf.	Description	Numéro de pièce :	Qté	N° de réf.	Description	Numéro de pièce :	Qté
1	BAGUE DE COMPRESSION EN TÉ	◆	3	45	BAGUE DE COMPRESSION, BP	● ■ ▲	2
2	TUYAU DE DELESTAGE DE DIRECTION	◆	2	46	BAGUE DE GRAISSAGE, BP	● ■ ▲	2
3	COUDE DE COMPRESSION	◆	1	47	PISTON BASSE PRESSION	▲	2
4	BOUCHON AVEC NPT	▼	4	48	GOUPILLE DE PISTON, BP	▲	2
5	BOUCHON	▼	4	49	BAGUE D'ARRÊT	▲ □	4
6	ÉCROU	▼	18	50	DOUILLE/PALIER	▲	4
7	RONDELLE-FREIN FENDUE	▼	18	51	BIELLE, BP	▲ □	4
8	D'ANCRAGE	▼	14	52	DEMI-COUSSINET DE LA MANIVELLE, BP	▲ □	4
9	BOULON	▼	6	53	PLONGEUR	▲ □	4
10	RONDELLE-FREIN FENDUE	▼	6	54	RONDELLE-FREIN FENDUE	▲ □	8
11	CAPOT	▼	2	55	BOULON	■ ▲ □	8
12	JOINT D'ÉTANCHÉITÉ DE CULASSE	TW030100AV ■ ▼	2	56	JOINT D'ÉTANCHÉITÉ DE CULASSE	TW033000AV ▲ □	2
13	REFROIDISSEUR INTERNE	TW030200AV	2	57	CYLINDRE	TW033100AV	2
14	JOINT DU REFROIDISSEUR INTERMÉDIAIRE	TW030300AV ■	4	58	ÉCROU	TW033200AV	16
15	TÊTE DU CYLINDRE A	TW030400AV	1	59	JOINT D'ÉTANCHÉITÉ DE CULASSE	TW033300AV	16
16	TÊTE DU CYLINDRE B	TW030500AV	1	60	D'ANCRAGE	TW033400AV	16
17	ASSEMBLAGE DE LA COUVERTURE DE SOUPE D'ADMISSION, BP	■	2	61	JOINT D'ÉTANCHÉITÉ DE CYLINDRE	TW033500AV ■ ▲ □	2
18	SOUPE D'ADMISSION À FAIBLE PRESSION	TW030600AV ■	2	62	BAGUE DE COMPRESSION, HP	▲ ■ □	4
19	RONDELLE	TW030700AV ■	2	63	BAGUE DE COMPRESSION, HP	▲ ■ □	2
20	JOINT D'ÉTANCHÉITÉ DE SORTIE, BP	TW030800AV ■	2	64	BAGUE DE GRAISSAGE, HP	▲ ■ □	2
21	COUVERTURE DE LA SOUPE DE REFOULEMENT, BP	TW030900AV	2	65	GOUPILLE DE PISTON, HP	□	2
22	SOUPE DE REFOULEMENT À FAIBLE PRESSION	TW031000AV ■	2	66	PISTON HAUTE PRESSION	□	2
23	RONDELLE	TW031100AV ■	6	67	BOULON HEXAGONAL	◇	4
24	JOINT D'ÉTANCHÉITÉ DE LA SOUPE DE REFOULEMENT, BP	TW031200AV ■	2	68	RONDELLE-FREIN FENDUE	◇	4
25	COUVERTURE DE LA SOUPE DE REFOULEMENT, AP	TW031300AV	2	69	COUVERTURE DE ROULEMENT	◇	1
26	SOUPE DE REFOULEMENT À HAUTE PRESSION	TW031400AV ■	2	70	ASSEMBLAGE DE RENIFLARD	TW033600AV ◇	1
27	BAGUE D'ÉTANCHÉITÉ	TW031500AV ■	1	71	COUVERTURE DE ROULEMENT DU JOINT	TW033700AV ◇ ▼	1
28	BAGUE D'ÉTANCHÉITÉ	TW031600AV ■	1	72	BOULON	▼	4
29	COUVERTURE DE SOUPE D'ADMISSION, AP	TW031700AV	2	73	RONDELLE À RESSORT	▼	4
30	BAGUE D'ÉTANCHÉITÉ	TW031800AV ■	2	74	RONDELLE DE RACCORDEMENT	▼	1
31	MANDRIL	TW031900AV	2	75	COUVERTURE DE LA RONDELLE DE RACCORDEMENT	▼	1
32	SOUPE D'ADMISSION À HAUTE PRESSION	TW032000AV ■	2	76	BOULON	▼	4
33	COPPER RONDELLE	TW032100AV	8	77	RONDELLE À RESSORT	▼	4
34	BOULON	TW032200AV	8	78	PLAQUE DE RECouvreMENT DU ROULEMENT	▼	1
35	BOUCHON DE REFROIDISSEUR INTERMÉDIAIRE	TW032300AV	4	79	PLAQUE DE RECouvreMENT DU ROULEMENT DU JOINT	TW033800AV ▼	1
36	ÉCHAPPEMENT COUDÉ	TW032400AV ✕	1	80	JOINT DU RECouvreMENT LATÉRAL	TW033900AV	2
37	MONTAGE DE FILTRE À AIR	TW032500AV	2	81	RECouvreMENT LATÉRAL	TW034000AV ✕	2
38	ÉCROU CROISILLON	--	2	82	BOULON	✕	16
39	SOUPE DE SÛRETÉ	TW032700AV	1	83	RONDELLE-FREIN FENDUE	✕	16
40	JOINT D'ÉCHAPPEMENT COUDÉ	■ ✕	8	84	PASSE-CÂBLE	--	1
41	REFROIDISSEUR D'ÉCHAPPEMENT	--	1	85	BOULON	▶	2
42	RACCORD	TW032800AV	1	86	RONDELLE	▶	4
43	SOUPE DE SÛRETÉ	TW032900AV	2	87	SIGHT GLASS	▶	1
44	BAGUE DE COMPRESSION, BP	● ■ ▲	4	88	SIÈGE DU REGARD VITRÉ	▶	1
				89	BAGUE EN O DU REGARD VITRÉ	▶	1
				90	CAPUCHON DE VIDANGE D'HUILE	TW034100AV	1
				91	BEARING	TW034200AV	1
				92	CRANKSHAFT	TW034300AV	1
				93	CLÉ DE L'ARBRE RÉCEPTEUR	TW034400AV ✕	1

DÉMARRAGE DE L'APPAREIL

SÉCURITÉ / CARACTÉRISTIQUES

ASSEMBLAGE / INSTALLATION

UTILISATION

DÉPANNAGE

ENTRETIEN / RÉPARATION

LISTE DES PIÈCES DÉTACHÉES POUR LES MODÈLES 35WC86

N° de réf.	Description	Numéro de pièce :	Qté
94	PALIER	TW034500AV	1
95	PORTÉE DE ROULEMENT DU JOINT	TW034600AV	1
96	BAGUE D'ÉTANCHÉITÉ D'HUILE	--	1
97	PORTÉE DE ROULEMENT	■	1
98	RONDELLE-FREIN FENDUE	■	6
99	BOULON	■	6
100	VOLANT	TW034700AV ❖	1
101	ÉCROU	❖	1
102	RONDELLE-FREIN FENDUE	❖	1
103	RONDELLE	❖	1
104	BOULON	❖	1
105	VENTILATEUR DE REFROIDISSEMENT	TW034800AV ❖	1
106	RONDELLE-FREIN FENDUE	❖	3
107	RONDELLE	❖	3
108	BOULON	❖	6
109	RONDELLE-FREIN FENDUE	✕	16
110	RONDELLE	✕	16
111	BOULON	✕	16
112	ÉCROU	◆	7
113	FERRULE	◆	7
114	TUBE	◆	2
Nécessaires de Remplacement et Accessoires			
●	TROUSSE DE BAGUES DE PISTON (BP)	TW034900AV	1
▲	TROUSSE DE BAGUES DE PISTON (HP)	TW035000AV	1
■	TROUSSE DE RECONSTRUCTION DE L'EXTRÉMITÉ SUPÉRIEURE (UN CÔTÉ)	TW035100AV	1
◆	TROUSSE DU DISPOSITIF DE DÉLESTAGE	TW035200AV	1
▼	TROUSSE DE SOUPAPE EN TÊTE	TW035300AV	1
✕	TROUSSE D'ÉCHAPPEMENT COUDÉ	TW035400AV	1
△	NÉCESSAIRE DE PISTON (BP)	TW035500AV	1
□	NÉCESSAIRE DE PISTON (HP)	TW035600AV	1
◇	TROUSSE DE RECOUVREMENT DU ROULEMENT AVANT AVEC RENIFLARD	TW035700AV	1
▽	TROUSSE DE BOÎTE DE ROULEMENT AVANT	TW035800AV	1
⊗	TROUSSE DE RECOUVREMENT LATÉRAL	TW035900AV	1
▷	NÉCESSAIRE DU REGARD	TW036000AV	1
■	TROUSSE DE RECOUVREMENT ARRIÈRE	TW036100AV	1
❖	TROUSSE DE MATÉRIEL DU VOLANT/VENTILATEUR	TW036200AV	1
--	PAS DISPONIBLE		
†	ARTICLE DISPONIBLE CHEZ VOTRE QUINCAILLERIE LOCALE		

VALEUR DE TORSION

No de Réf	Description	Torque
6	Vis, culasse 3/8-16	42 ft. lb. (5,8 kg m)
26	Vis, cylindre 3/8-24	15 ft. lb. (2,1 kg m)
30	Vis, bielle 5/16-18	14 ft. lb. (1,9 kg m)
32	Vis, chapeau de palier 5/16-18	14 ft. lb. (1,9 kg m)
51	Vis de torsion, volant 1/2 po	50 ft. lb. (6,9 kg m)
75	Vis, culasse à plaque de soupape	100 in. lb. (115,30 kg cm)

DÉMARRAGE
DE L'APPAREIL

SÉCURITÉ /
CARACTÉRISTIQUES

ASSEMBLAGE /
INSTALLATION

UTILISATION

DÉPANNAGE

ENTRETIEN /
RÉPARATION

GARANTIE LIMITÉE DE TROIS ANS FOURNIE PAR SPEEDAIRE

GARANTIE LIMITÉE DE TROIS ANS FOURNIE PAR SPEEDAIRE. Tous les modèles de produits Speedaire® couverts dans ce manuel sont garantis par Dayton Electric Mfg. Co. (« Dayton ») au premier utilisateur contre tout défaut de fabrication ou de matériau, dans des conditions d'utilisation normales durant trois ans à compter de la date d'achat. Si le produit Speedaire fait partie d'un ensemble, seul le composant du produit présentant un défaut est couvert par la présente garantie. Tout produit ou toute pièce présentant un défaut de fabrication ou de matériau et retourné(e) à un centre de service agréé désigné par Dayton ou par un représentant désigné de Dayton, port payé, sera à titre de recours exclusif, réparé(e) ou remplacé(e) par un produit neuf ou une pièce neuve, ou par un produit ou une pièce remis à neuf d'utilité égale, ou fera l'objet d'un remboursement intégral, au choix de Dayton ou d'un représentant désigné de Dayton, sans frais. Voir les procédures de réclamation sous garantie limitée sous la rubrique « Service de garantie » ci-après. La présente garantie est annulée en cas de preuve de mésusage, de réparation défectueuse, d'installation défectueuse, d'utilisation abusive ou de modification. La présente garantie ne couvre pas l'usure normale des produits Speedaire ou des composants de ces produits, ou des produits ou des composants de ces produits qui sont consommables lors d'une utilisation normale. La présente garantie limitée donne aux acheteurs des droits spécifiques et il est également possible de bénéficier d'autres droits qui varient selon les juridictions.

CLAUSES D'EXONÉRATION DE GARANTIE ET LIMITES DE RESPONSABILITÉ CONCERNANT TOUS LES CLIENTS POUR TOUS LES PRODUITS

LIMITES DE RESPONSABILITÉ. DANS LA MESURE PERMISE AU TITRE DE LA LOI APPLICABLE, DAYTON DÉCLINE EXPRESSÉMENT TOUTE RESPONSABILITÉ POUR TOUT DOMMAGE ACCESSOIRE ET INDIRECT. LA RESPONSABILITÉ DE DAYTON EST DANS TOUS LES CAS LIMITÉE ET NE SAURAIT DÉPASSER LE PRIX D'ACHAT.

CLAUSE D'EXONÉRATION DE GARANTIE. DE DILIGENTS EFFORTS ONT ÉTÉ FAITS POUR FOURNIR AVEC PRÉCISION LES INFORMATIONS ET ILLUSTRATIONS DES PRODUITS DÉCRITS DANS CETTE BROCHURE; CEPENDANT, DE TELLES INFORMATIONS ET ILLUSTRATIONS SONT POUR LA SEULE RAISON D'IDENTIFICATION, ET N'EXPRIMENT NI N'IMPLIQUENT QUE LES PRODUITS SPEEDAIRE SONT COMMERCIALISABLES, OU ADAPTABLES À UN BESOIN PARTICULIER, NI QUE CES PRODUITS SPEEDAIRE SONT NÉCESSAIREMENT CONFORMES AUX ILLUSTRATIONS OU DESCRIPTIONS FOURNIES. SAUF DISPOSITIONS CONTRAIRES CI-DESSOUS, AUCUNE GARANTIE OU AFFIRMATION DE FAIT, EXPRESSE OU IMPLICITE, AUTRE QUE CELLE ÉNONCÉE À LA RUBRIQUE « GARANTIE LIMITÉE » CI-DESSUS, N'EST FOURNIE OU AUTORISÉE PAR DAYTON.

CONFORMITÉ DU PRODUIT. DANS DE NOMBREUSES JURIDICTIONS, LES CODES ET LES RÈGLEMENTATIONS QUI RÉGISSENT LES VENTES, LA CONSTRUCTION, L'INSTALLATION ET/OU L'UTILISATION DE PRODUITS POUR CERTAINS USAGES PEUVENT ÊTRE DIFFÉRENTS DE CEUX DE RÉGIONS AVISINANTES. BIEN QUE DAYTON SE SOIT EFFORCÉE DE RENDRE SES PRODUITS CONFORMES À CES CODES, LA SOCIÉTÉ NE PEUT EN GARANTIR LA CONFORMITÉ ET NE SAURAIT ÊTRE RESPONSABLE DE LA MANIÈRE DONT LES PRODUITS SONT INSTALLÉS OU UTILISÉS. AVANT D'ACHETER ET D'UTILISER UN PRODUIT, IL EST CONSEILLÉ D'ÉTUDE LES DIRECTIVES DE SÉCURITÉ/CARACTÉRISTIQUES TECHNIQUES AINSI QUE LES CODES ET RÈGLEMENTATIONS NATIONAUX ET LOCAUX APPLICABLES, ET DE S'ASSURER DE LA CONFORMITÉ À CES CODES DE CES PRODUITS SPEEDAIRE, DE LEUR INSTALLATION ET DE LEUR UTILISATION.

CONSOMMATEURS SEULEMENT. CERTAINS ASPECTS DES DÉNIS DE GARANTIE NE SONT PAS APPLICABLES AUX PRODUITS DE CONSOMMATION VENDUS AUX CONSOMMATEURS (A) CERTAINES JURIDICTIONS N'AUTORISENT PAS L'EXCLUSION OU LA LIMITATION DES DOMMAGES ACCESSOIRES OU INDIRECTS, DE SORTE QUE LA LIMITATION OU L'EXCLUSION SUSMENTIONNÉE PEUT NE PAS S'APPLIQUER À VOTRE CAS; (B) EN OUTRE, CERTAINES JURIDICTIONS N'AUTORISENT PAS DE LIMITE SUR LA DURÉE D'UNE GARANTIE IMPLICITE, PAR CONSÉQUENT LA LIMITE SUSMENTIONNÉE PEUT NE PAS S'APPLIQUER À VOTRE CAS; ET (C) EN VERTU DE LA LOI, DURANT LA PÉRIODE DE GARANTIE LIMITÉE, TOUTE GARANTIE IMPLICITE DE QUALITÉ MARCHANDE OU D'ADÉQUATION À UN USAGE PARTICULIER APPLICABLE AUX PRODUITS DE CONSOMMATION ACHETÉS PAR DES CONSOMMATEURS, EST SUSCEPTIBLE DE NE PAS POUVOIR ÊTRE EXCLUE OU AUTREMENT DÉNIÉE.

LA PRÉSENTE GARANTIE LIMITÉE S'APPLIQUE SEULEMENT AUX PRODUITS SPEEDAIRE ACHETÉS PAR DES ACHETEURS AUX ÉTATS-UNIS POUR UNE LIVRAISON À L'INTÉRIEUR DES ÉTATS-UNIS.

SERVICE DE GARANTIE

Pour obtenir le service de garantie si le produit couvert a été acheté directement auprès de W.W. Grainger, Inc. (« Grainger »), (i) écrire, téléphoner à la succursale ou visiter la succursale locale de Grainger auprès de laquelle le produit a été acheté ou une autre succursale de Grainger à proximité (consulter le site www.grainger.com pour obtenir la liste des succursales de Grainger); ou (ii) communiquer avec Grainger en se rendant sur le site www.grainger.com et en cliquant sur le lien « Contact Us » en haut de la page, puis sur le lien « Email us »; ou (iii) appeler le service clientèle (sans frais) en composant le 1-888-361-8649. Pour obtenir le service de garantie si le produit couvert a été acheté auprès d'un autre distributeur ou d'un autre détaillant, (i) se rendre sur le site www.grainger.com pour obtenir le service de garantie; (ii) écrire, téléphoner à une succursale ou visiter une succursale de Grainger à proximité; ou (iii) appeler le service clientèle (sans frais) en composant le 1-888-361-8649. Dans tous les cas, il sera nécessaire de fournir dans la mesure du possible, la date d'achat, le numéro d'origine de la facture, le numéro de stock, une description du défaut et tout autre élément spécifié en vertu de la présente garantie limitée de trois ans de Speedaire. Il sera peut-être exigé de renvoyer le produit moyennant certains frais pour qu'il soit vérifié. Il est possible d'obtenir un suivi quant aux vérifications et aux modifications en cours par les moyens indiqués. Le titre et le risque de perte passe de l'acheteur au transporteur public lors de la livraison, par conséquent si le produit est endommagé pendant son transport, toute réclamation doit être déposée auprès du transporteur, et non pas auprès du détaillant, Grainger ou Dayton. Pour toute information sur la garantie concernant les acheteurs et/ou une livraison à l'extérieur des États-Unis, veuillez prendre contact avec :

**Dayton Electric Mfg. Co.,
100 Grainger Parkway, Lake Forest, IL 60045 États-Unis
ou composer le +1-888-361-8649**