



# Cast Iron, Two-Stage Air Compressors

## Replacement Parts List

CI153120PS, CI253120PS and CI153120H5

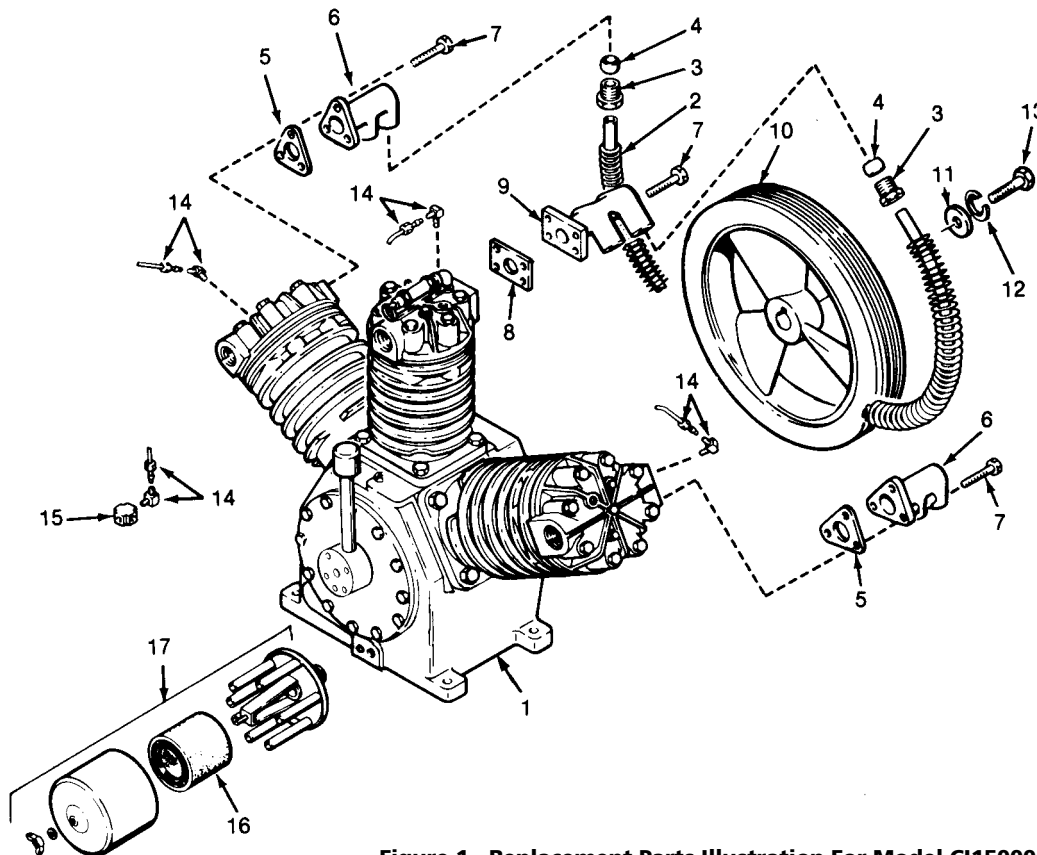


Figure 1 - Replacement Parts Illustration For Model CI15000PS

Ref. No.	Description	Part Number For Model CI15000PS	Qty
1	Compressor	CI15000PS	1
2	Intercooler	TR001400BH	4
3	3/4" Compression connector	TF000600AV	8
4	3/4" Ferrule	ST065400AV	8
5	Gasket (intercooler to head)	XA008600AV	2
6	Intercooler manifold	TR001500AV	1
7	3/8"-16 x 1" Socket head cap screw	*	10
8	Gasket	XA008400AV	1
9	Intercooler manifold	TR001600AV	1
10	Flywheel	TW003502AV	1
11	13/16 x 2-1/2" Plain washer	TY002700AV	1
12	Lockwasher	ST071014AV	1
13	3/4-10 x 2" Hex head screw	*	1
14	1/8" NPT x 1/4" Tube	ST015500AV	5
15	Cross	ST072401AV	1
16	Filter element	ST073907AV	1
17	Filter assembly (with element)	ST073908AV	2

(\*) Standard hardware item, available locally.

# For Replacement Parts, Call 1-800-543-8622

Please provide following information:

- Model number
- Serial number (if any)
- Part descriptions and number as shown in parts list

Address parts correspondence to:

Campbell Hausfeld  
100 Production Drive  
Harrison, OH 45030

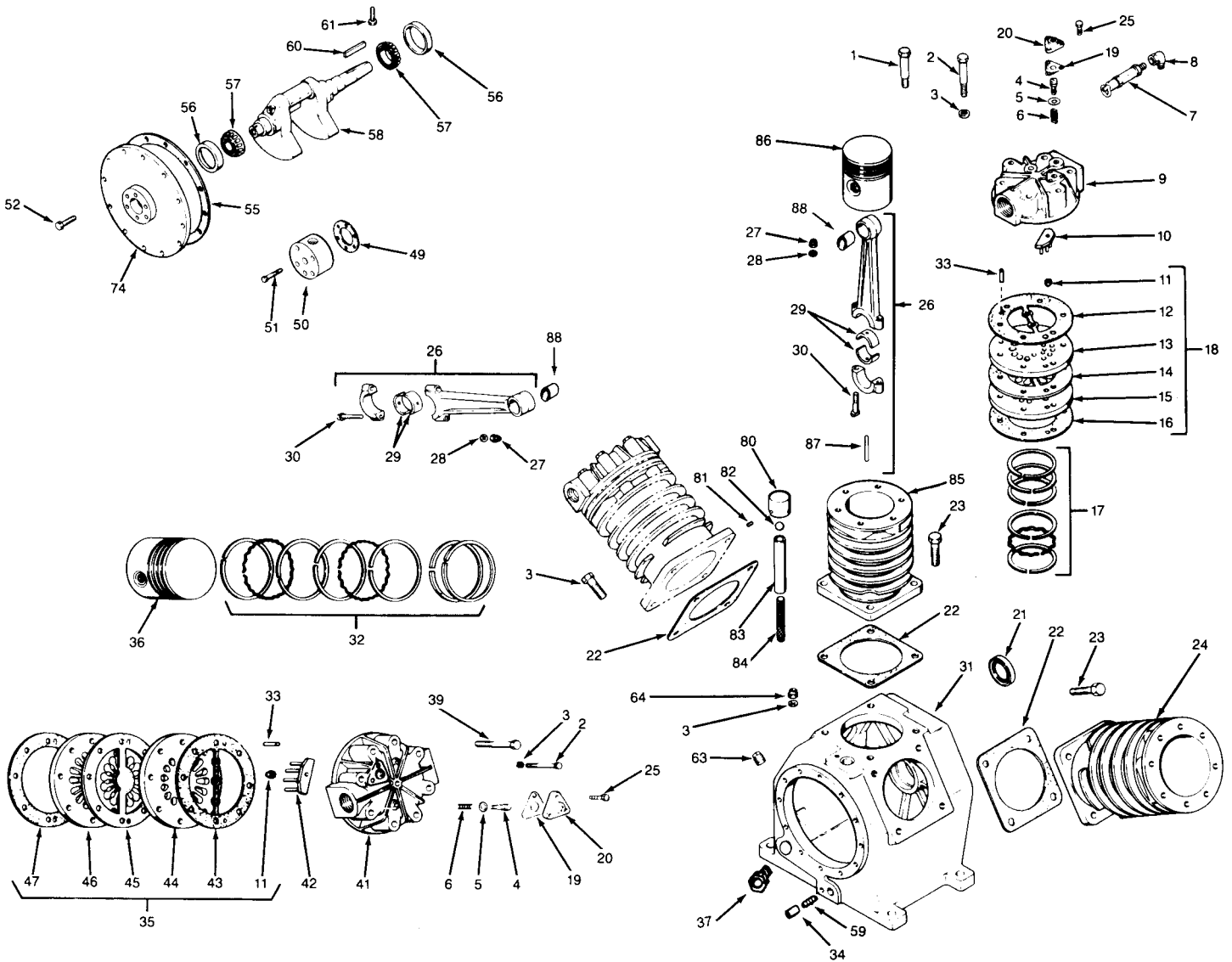


Figure 2 - Replacement Parts Illustration For Models CI150000PS and CI250000PS

# Replacement Parts List

Ref. No.	Description	Part Number For Models:		Qty
		CI15000PS	CI25000PS	
1	1/2-13 x 3-1/2" Hex head machine screw	ST070664AV	ST070664AV	6
2	5/16-13 x 2-3/4" Socket head cap screw	ST070812AV	ST070812AV	2
3	Dyna seal washer	ST066100AV	ST070925AV	2
4	Unloader piston	TW010900AV	TW010900AV	3
5	Quad ring	TW011200AV	TW011200AV	3
6	Spring	TW011100AV	TW011100AV	3
7	ASME safety valve	VO013503AV	VO013503AV	1
8	1/4-18 Street ell	ST071202AV	ST071202AV	1
9	HP cylinder head	TW007301AV	TW007301AV	1
10	HP unloader crab	TW010200AV	TW010200AV	1
11	1/4-28 Flexloc locknut	ST076003AV	ST076003AV	3
12	Gasket	XA008300AV	XA008300AV	1
13	7-1/2" OD Suction valve plate	TW006900AV	TW006900AV	1
14	HP reed and gasket assembly	TW002900AV	TW002900AV	1
15	7-1/2" OP discharge valve plate	TW006800AV	TW006800AV	1
16	Gasket ●	XA008100AV	XA008100AV	1
17	HP ring kit	SK102000AJ	SK102000AJ	1
18	HP valve assembly kit	SK101500AJ	SK101500AJ	1
19	Gasket ●	XA009100AV	XA009100AV	3
20	Cover	TW011000AG	TW011000AG	1
21	Oil seal	ST094100AV	ST094200AV	1
22	Gasket ●	XA007900AV	XA007900AV	3
23	5/8-11 x 1-3/4" Hex head machine screw	*	*	12
24	LP cylinder	TW006000AV	TW006000AV	2
25	1/4-20 x 3/4" Hex head cap screw	*	*	9
26	Connecting rod assy. (Nos. 27-30 & 88)	TW012100AJ	TW012100AJ	3
27	Flexloc nut	ST0760001AV	ST0760001AV	6
28	Washer	TW007700AV	TW007700AV	6
29	Connecting rod bearing	TW005700AV	TW005700AV	6
30	Connecting rod bolt	TW005100AV	TW005100AV	6
31	Crankcase	TW003200AV	TW003200AV	1
32	LP ring kit	SK102100AJ	SK102100AJ	2
33	Spring pin	ST070049AV	ST070049AV	6
34	1/2" Cap pipe	ST120000AV	ST120000AV	1
35	LP Valve assembly kit	SK101600AJ	SK101600AJ	2
36	LP piston with pin & retainer	TW005300AV	TW005300AV	2
37	Sight glass	TF050101AV	TF050101AV	1
39	1/2-13 x 4-1/2" Hex head machine screw	ST070663AV	ST070663AV	16
40	5/16-24 x 3-3/4" Socket head cap screw	ST070811AV	ST070811AV	6
41	Low pressure head	TW007101AV	TW007101AV	2
42	LP unloader crab	TW007200AV	TW007200AV	2
43	Gasket ●	XA008200AV	XA008200AV	2
44	8-7/8" OD suction valve plate	TW006300AG	TW006300AG	2
45	LP reed and gasket assy.	TW002800AV	TW002800AV	2

# Replacement Parts List

Ref. No.	Description	Part Number For Models:		Qty
		CI150000PS	CI250000PS	
46	8-7/8" OD discharge valve plate	TW006200AV	TW006200AV	2
47	Gasket	XA008000AV	XA008000AV	2
49	Gasket ●	XA008700AV	XA008700AV	1
50	Pump cover	TW012500AV	TW012500AV	1
51	5/16-18 x 1-3/4" Socket head bolt	ST070808AV	ST070808AV	5
52	3/8"-16 x 1" Hex head screw	*	*	22
55	0.024" Gasket ●	XA007801AV	XA007801AV	1
55	0.031" Gasket ●	XA007802AV	XA007802AV	1
56	Bearing cup	ST094300AV	ST094300AV	2
57	Bearing cone	ST094400AV	ST094400AV	2
58	Crankshaft with cones & plugs	TW002002AJ	TW002002AJ	1
59	1/2" NPT x 5" Nipple	ST070322AV	ST070322AV	1
60	1/2 x 1/2 x 2-1/2" Key	KE001303AV	KE001303AV	1
61	5/16-18 x 1" Hex head machine screw	*	*	1
62	Breather baffle	TW004400AV	TW004400AV	1
63	3/4-14 Pipe plug	ST072909AV	ST072909AV	1
64	5/16-18 UNF Stop nut	ST073801AV	ST073801AV	1
74	Face plate	TW012600AV	TW012600AV	1
80	Breather cap	TW003800AG	TW003800AG	1
81	10-24 x 3/8" Socket setscrew	*	*	3
82	Ball	ST094700AV	ST094700AV	1
83	Breather tube	TW003600AV	TW003600AV	1
84	Wire mesh	TW003900AV	TW003900AV	1
85	HP cylinder	TW006100AV	TW006100AV	1
86	HP Piston with pin and retainer	TW005800AV	TW005800AV	1
87	Oil dipper	TW012200AV	TW012200AV	1
88	Needle bearing	TW011900AV	TW011900AV	1

(●) Complete gasket kit - Part number SK100800AJ.

(\*) Standard hardware item, available locally.

# For Replacement Parts, Call 1-800-543-8622

Please provide following information:

- Model number
- Serial number (if any)
- Part descriptions and number as shown in parts list

Address parts correspondence to:

Campbell Hausfeld  
 100 Production Drive  
 Harrison, OH 45030

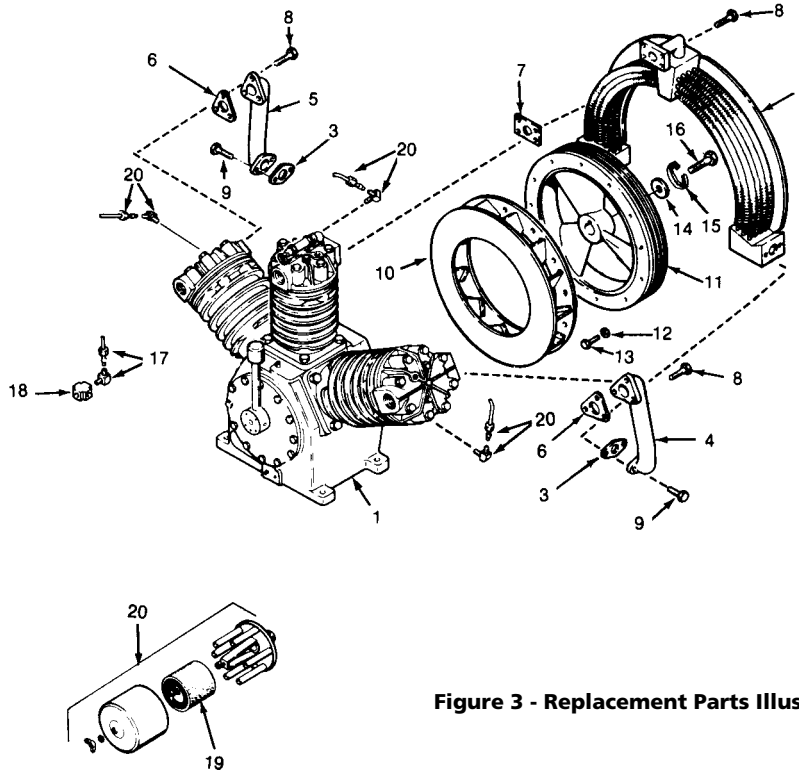


Figure 3 - Replacement Parts Illustration For Model CI25000PS

Ref. No.	Description	Part Number For Model CI25000PS	Qty
1	Compressor	CI1250000PS	1
2	Intercooler	TW007400AV	1
3	Gasket	XA008500AV	2
4	Intercooler pipe (LH)	TW007600AG-1	1
5	Intercooler pipe (RH)	TW007500AG-1	1
6	Gasket	XA008600AV	2
7	Gasket	XA008400AV	1
8	3/8-16 x 1" Socket head cap screw	*	10
9	3/8-24 x 1" Hex head screw	*	4
10	Fan	TW003700AG	1
11	Flywheel	TW003502AG	1
12	1/4" Lockwasher	*	1
13	1/4-20 x 1/2" Hex head cap screw	*	1
14	13/16 x 2-1/2" Plain washer	TY002700AV	1
15	Lockwasher	ST071014AV	1
16	3/4-10 x 2" Hex head screw	*	1
17	1/8" NPT x 1/4" Tube	ST015500AV	5
18	Cross	ST072401AV	1
19	Filter element	ST073907AV	1
20	Filter assembly (with element)	ST073908AV	2

(\*) Standard hardware item, available locally.

# For Replacement Parts, Call 1-800-543-8622

Please provide following information:

- Model number
- Serial number (if any)
- Part descriptions and number as shown in parts list

Address parts correspondence to:

Campbell Hausfeld  
100 Production Drive  
Harrison, OH 45030

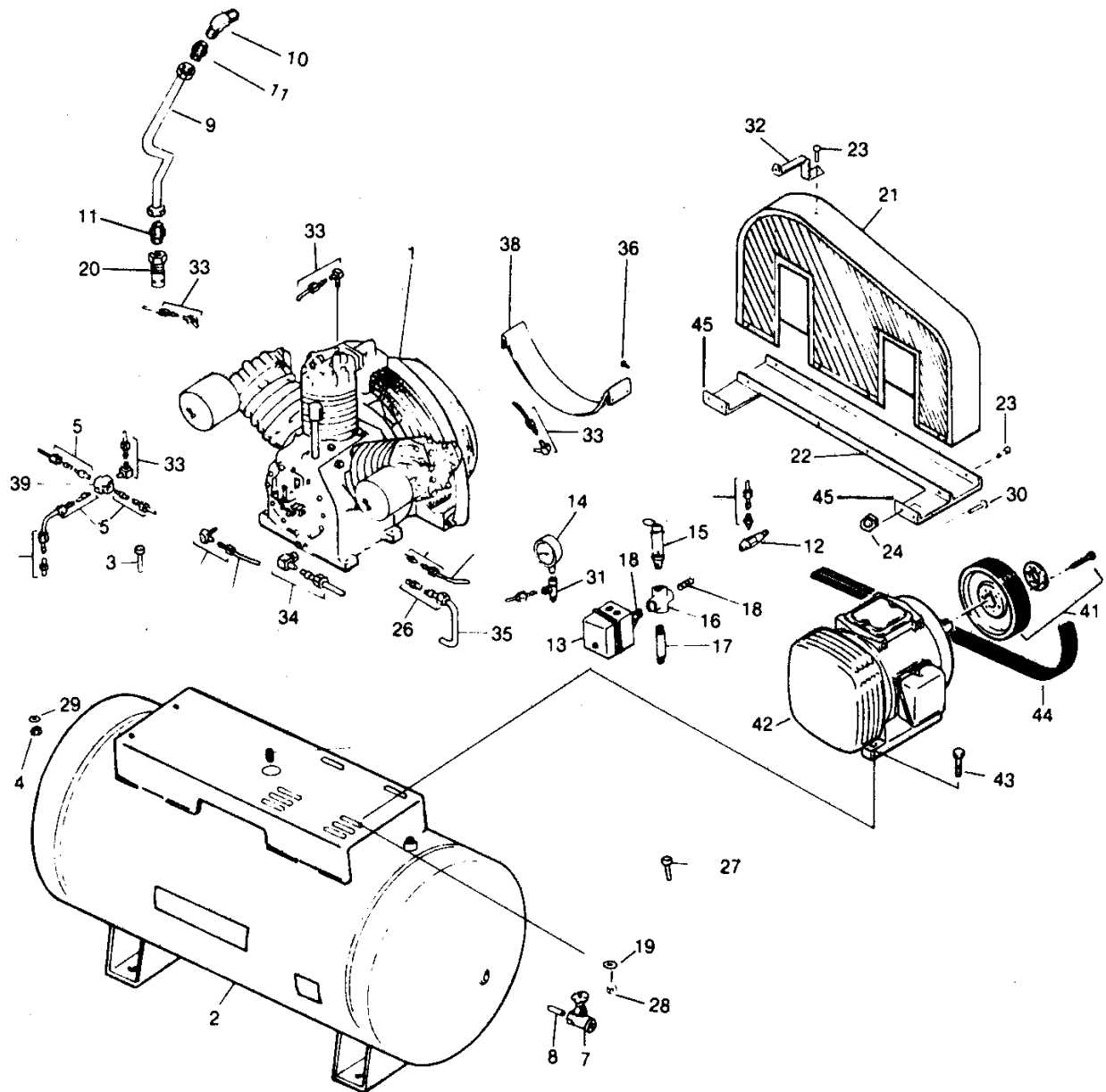
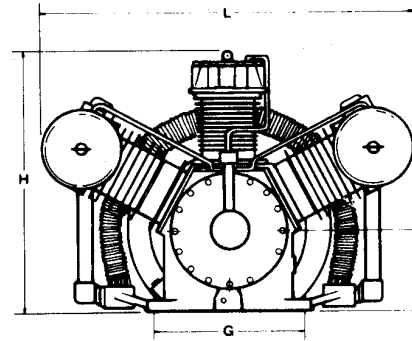
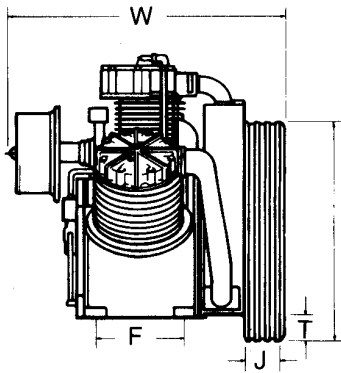


Figure 4 - Replacement Parts Illustration For Models CI153120PS, CI123120PS and CI153120H5

# Replacement Parts List

Ref. No.	Description	Part Number For Models:			Qty
		CI153120PS	CI253120PS	CI153120H5	
1	Pump	CI150000PS	CI250000PS	CI150000PS	1
2	Air receiver 120 gallon 200PSI	TQ003201AV	TQ003201AV	TQ003201AV	1
3	5/8"-11 Screw	*	*	*	4
4	5/8"-11 Nut	*	*	*	4
5	1/4"-1/8" Compression connector	ST011701AV	ST011701AV	ST011701AV	8
6	Strainer	ST079901AV	ST079901AV	ST079901AV	1
7	1" Globe Valve	AV201003AV	AV201003AV	AV201003AV	1
8	1" NPT x 1-1/2" Nipple	ST070305AV	ST070305AV	ST070305AV	1
9	Discharge tube	TQ000301AV	TQ000301AV	TQ000301AV	1
10	1-1/4" NPT Street elbow	ST071209AV	ST071209AV	ST071209AV	1
11	Fitting	ST072022AV	ST072022AV	ST072022AV	1
12	Pilot valve 155-170 PSI	V-014500AV	V-014500AV	V-014500AV	1
13	Pressure switch 145-175 PSI	CW207633AV	CW207633AV	CW207633AV	1
14	Gauge	GA016700AV	GA016700AV	GA016700AV	1
15	Safety valve 200 PSI	V-209000AV	V-209000AV	V-209000AV	1
16	1/4-18 NPT Cross fitting *	ST071102AV	ST071102AV	ST071102AV	1
17	Nipple *	ST070307AV	ST070307AV	ST070307AV	1
18	1/4" x 7/8" NPT Nipple *	ST070301AV	ST070301AV	ST070301AV	3
19	1/2" Washer	ST070918AV	ST070918AV	ST070918AV	8
20	Check valve	CV003203AV	CV003203AV	CV003203AV	1
21	Belt guard	TR001800AV	TR001800AV	TR001800AV	1
22	Belt guard support	TR001901AV	TR001901AV	TR001901AV	1
23	1/4-20 x 3/4" Screw	*	*	*	8
24	1/4-20 Nut	*	*	*	8
25	1/4" Tubing	TQ002000AV	TQ002000AV	TQ002000AV	1
26	3/8" NPT x 1/2" compression connector tube	ST018300AV	ST018300AV	ST018300AV	2
27	1/2-13 x 2" Screw	*	*	*	4
28	1/2-13 NC Nut	*	*	*	4
29	5/8" Washer	*	*	*	4
30	1/4-20 x 1" Screw	*	*	*	4
31	Tee	ST069800AV	ST069800AV	ST069800AV	1
32	Belt guard bracket	TQ003100AV	TQ002100AV	TQ003100AV	1
33	1/8" tube x 1/4" NPT Ell	ST015500AV	ST015500AV	ST015500AV	5
34	3/8" NPT x 1/2" compression ell tube	ST072214AV	ST072214AV	ST072214AV	1
35	Pump suction tube	TW003400AP	TW003400AP	TW003400AP	1
36	1/4-28 x 1/2" Screw	*	*	*	1
37	Bushing *	ST006400AV	ST006400AV	ST006400AV	1
38	Fan shroud	—	TW005600AV	—	1
39	Cross	ST074201AV	ST074201AV	ST074201AV	1
41	3 B Pulley	PU009709AV	PU009704AV	PU009702AV	1
42	Motor	MC0022367AV	MC022369AV	MC301506AV	1
43	1/2-13 x 2" Screw	ST070660AV	ST070660AV	ST070660AV	4
44	B section belt	BT004318AV	BT004316AV	BT022900AV	1
45	Belt guard support bracket	TQ0008202AV	TQ0008202AV	TQ0008202AV	2

(\*) Standard hardware item, available locally.



Oil Capacity		Air Filter		Pipe Openings		Compressor Pulley		V-Belts		
QT.	Liter	Silencer		In	Out	OD		PD		
		No.	Type	NPT	NPT	IN	MM	IN.	MM	
4 1/2	4 1/4	2	dry	1 1/2 (2)	1 1/2	21.38	543	21.00	533.4	3 B

Model	Motor HP	Bore & Stroke	No Of Cyl	Dimensions								Shipping Weight									
				L	W	H	F	G	J	T	I	LBS.	KG.								
CI150000PS	15	6 1/2 x 4 1/2 x 3 1/2	3	37.5	953	26.0	660	30.25	768	8.75	222	15.0	381	6.75	171	2.68	68	8.0	203	660	299
CI250000PS	20 25	155.6 & 47.6 x 88.9																		705	319

15 HP 3-Cycle Model CI150000PS				
PSI	Displacement CFM	Free Air CFM	Pump RPM	1725* Motor Sheave
100	79.4	70.6	665	8 3/4
125	73.4	65.3	615	7 3/4
150	65.0	59.4	575	7 3/8
175	65.0	59.4	575	7 3/8

(\* ) Sheave sizes are OD to provide proper pump speed with 1725 RPM motor.

PSI	20 HP 3-Cyl. Model CI250000PS				25 HP 3-Cyl. Model CI250000PS			
	Disp. CFM	Free Air CFM	Pump RPM	1725* Motor Sheave	Disp. CFM	Free Air CFM	Pump RPM	1725* Motor Sheave
100	86.5	77.1	725	9	122.9	102.8	1030	12 3/4
125	86.5	77.1	725	9	122.9	102.8	1030	12 3/4
150	80.0	71.2	670	8 3/8	109.8	92.4	920	11 3/8
175	80.0	71.2	670	8 3/8	109.8	92.4	920	11 3/8

**CLEARANCE — TOLERANCE — TORQUE**

**PISTON CLEARANCES**

H.P. at Skirt	.0045/.0075
L.P. at Skirt	.0055/.0075

**PISTON RING END CLEARANCE**

H.P. Compression	.005-.013
L.P. Compression	.015-.030
H.P. Oil	.015-.055
L.P. Oil	.015-.055

**PISTON RING GROOVE CLEARANCE**

H.P. Compression Ring	.0021/.004
L.P. Compression Ring	.0005/.0055
H.P. Oil Ring	.0025/.005

L.P. Oil Ring .0005/.0055

Top of Piston to Top of Cylinder Clearance -.005 + .026

Connecting Rod Bearing Running Clearance .0025/.0044

Crankcase End Play .001/.007

**TORQUE DATA**

Connecting Rod Bolts	350 In. Lbs
Flywheel Retainer Bolt (3/4-10)	250 Ft. Lbs
Cylinder Flange Bolts (5/8-11)	142 Ft. Lbs
Cylinder Head Bolts (1/2-13)	73 Ft. Lbs
Oil Pump Cover Bolts (5/6-18)	14 Ft. Lbs
Rear Retainer Bots (3/8-16)	24 Ft. Lbs.