

Operating Instructions and Parts List**PW1805**

Please read and save these instructions. Read carefully before attempting to assemble, install, operate or maintain the product described. Protect yourself and others by observing all safety information. Failure to comply with instructions could result in personal injury and/or property damage! Retain instructions for future reference.


**CAMPBELL Electric Pressure
HAUSFELD® Washer**
Specifications

Model	Cleaning Power	Maximum Pressure	Maximum Capacity	Maximum Inlet Water Temp.	Voltage	Amperage	Unit Weight
PW1805	2700	1800 psi	1.5 GPM	100°F	120V	14 Amps	22 lbs.

**Figure 1****Safety Guidelines**

This manual contains information that is very important to know and understand. This information is provided for SAFETY and to PREVENT EQUIPMENT PROBLEMS. To help recognize this information, observe the following symbols.

▲WARNING *Warning indicates a potentially hazardous situation which, if not avoided, COULD result in death or serious injury.*

▲CAUTION *Caution indicates a potentially hazardous situation which, if not avoided, MAY result in minor or moderate injury.*

NOTE or NOTICE: Information that requires special attention.

Operating Instructions and Parts List

PW1805

! IMPORTANT !

This pressure washer is equipped with a microswitch sensitive to water flow. This Instant Start/Stop switch (ISS) senses water flow in the pump. When the trigger is released, water stops flowing through the pump. The ISS then automatically turns the motor off to protect pump from overheating.

OPERATION

1. Pull trigger on gun.
2. Turn the "ON/OFF" switch to "ON".
3. Release trigger. The pressure washer motor will stop running.
4. To spray again, pull trigger and motor and pump will restart.

Note: Occasionally the motor may run for a short time to bring fresh, cool water into the pump even if trigger is released. This is part of normal operation and will not damage the unit.

CAUTION *Always turn the "ON/OFF" switch to "OFF" then trigger gun to release hose pressure before unplugging power cord.*

CAUTION *Risk of equipment damage. Always make sure the "ON/OFF" switch on the unit is "OFF" and unit is unplugged prior to storage.*

WARNING *Risk of Injection. Unit will start spraying when trigger is squeezed if ON/OFF switch is in "ON" position. Always point gun in safe direction.*

**Call 1-800-330-0712
for Technical Service**

Important Safety Instructions**SAVE THESE INSTRUCTIONS****WARNING**

When using this product, basic precautions should always be followed, including the following:

1. Read all instructions before using the product.
2. ALWAYS disconnect power before disassembling or repairing the unit.
3. Follow all safety codes as well as the Occupational Safety and Health Act (OSHA).
4. Ensure safety devices are operating properly before each use. DO NOT remove or modify any part of the gun or unit.
5. Know how to stop this product and bleed pressure quickly. Be thoroughly familiar with the controls.
6. Stay alert – watch what you are doing.
7. Do not operate the product when fatigued or under the influence of alcohol or drugs.
8. Keep operation area clear of all persons.
9. Do not overreach or stand on unstable support. Keep good footing and balance at all times.
10. Follow the maintenance instructions specified in the manual.
11. This product is provided with a ground fault circuit interrupter, GFCI, be sure to inspect cord and GFCI prior to use. Any repair or replacement of the power cord must be performed by a qualified (licensed or certified) electrical technician.
12. Never use an extension cord with this product.

Operating Instructions and Parts List**PW1805**

13. The power cord on this product contains chemicals, including lead, known to the State of California to cause [cancer and] birth defects or other reproductive harm. Wash hands after handling.

14. To reduce the risk of injury, close supervision is necessary when a product is used near children.

▲WARNING***Risk of electrocution***

- Inspect cord before using - Do not use if cord is damaged.
- Keep all electrical connections dry and off the ground.
- Do not touch plug with wet hands.
- This product is provided with a ground fault circuit interrupter built into the power cord plug. If replacement of the plug or cord is needed, use only identical replacement parts.
- Do not spray electrical apparatus and wiring.

▲WARNING***Risk of injection or sever injury***

- High pressure. Keep clear of nozzle. Do not discharge streams at persons or animals.
- Never put hand or fingers over spray tip while operating the unit.
- Never try to stop or deflect leaks with any body part.
- Always engage the trigger safety latch in the safe position when spraying is stopped even if only for a few moments.
- Point gun in safe direction. Unit will start spraying when trigger is squeezed if "on/off" switch is in "ON" position.

- Discharge pressure – When 'on/off' switch is in "off" position, pressure may still exist in unit. To discharge pressure, point gun in safe direction and squeeze trigger.

▲WARNING***Risk of explosion***

- Do not spray flammable liquids.
- Never use in areas containing combustible dust, liquids, or vapors.

▲CAUTION

- High pressure - Gun kicks back – Hold gun with both hands.
- Keep hose away from sharp objects. Bursting hoses may cause injury. Examine hose regularly and replace if damaged. Do not attempt to mend a damaged hose.

NOTICE

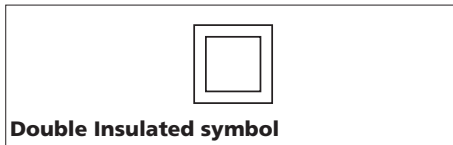
- Use only detergents specifically formulated for pressure washers. Always follow detergent manufacturer's label recommendations for proper use of detergents. Always protect eyes, skin, and respiratory system from detergent.
- For either indoor or outdoor use. Store indoors and where temperature stays above freezing.
- Unplug unit when not in use.
- Pressure washer is not meant to pump hot water. Do not connect to hot water supply.
- Never leave the unit unattended while it is plugged in.
- Always turn water supply "ON" before turning pressure washer "ON." Running pump dry causes damage.

Operating Instructions and Parts List

PW1805

Servicing of a Double-Insulated Appliance

In a double-insulated product, two systems of insulation are provided instead of grounding. No grounding means are provided for a double-insulated product, nor should grounding means be added to the product. Servicing a double-insulated product requires extreme care and knowledge of the system, and should be done only by qualified service personnel. Replacement parts for a double-insulated product must be identical to the original parts. A double-insulated product is marked with the words "Double Insulation" or "Double Insulated." Product may also be marked with symbol shown below.



Double Insulated symbol

⚠WARNING *Do not use pressure that exceeds the operating pressure of any of the parts (hoses, fittings, etc.) in the pressurized system. Ensure all equipment and accessories are rated to withstand the maximum working pressure of the unit.*

- ⚠WARNING** *Explosion hazard.*
- NEVER spray flammable liquids or use pressure washer in areas containing combustible dust, liquids or vapors.
 - Never operate this machine in a closed building or in or near an explosive environment

⚠WARNING *Do not spray electrical apparatus and wiring.*

- Never disconnect the high pressure discharge hose from the machine while the system is pressurized. To depressurize machine, turn power and water supply off, then press gun trigger 2-3 times.
- Never permanently engage the trigger mechanism on the gun.
- Never operate the machine without all components properly connected to the machine (handle, gun/wand assembly, nozzle, etc.).

⚠WARNING *Equipment damage.*

- ALWAYS turn water supply "ON" before turning pressure washer "ON." Running pump dry causes serious damage.
- Do not operate the pressure washer with the inlet water screen removed. Keep screen clear of debris and sediment.
- NEVER operate pressure washer with broken or missing parts. Check equipment regularly and repair or replace worn or damaged parts immediately.
- Use only the nozzle supplied with this machine.
- Never leave the wand unattended while the machine is running.
- Never attempt to alter factory settings. Altering factory settings could damage the unit and will void the warranty.
- Always hold gun and wand firmly when starting and operating the machine.
- NEVER allow the unit to run with the trigger released (off) for more than one (1) minute. Resulting heat buildup will damage pump.

Operating Instructions and Parts List

PW1805

- Pressure washer is not meant to pump hot water. NEVER connect it to a hot water supply as it will significantly reduce the life of the pump.
 - NEVER store the pressure washer outdoors or where it could freeze. The pump will be seriously damaged.
 - Release trigger when changing from high to low pressure modes. Failure to do so could result in damage
3. The spray gun should be locked into the "OFF" position by locating the safety trigger lock just above the trigger of the gun. Activate the lock by holding the gun and push the lock from left to right. Squeeze trigger to make sure the trigger does not move. The safety trigger lock should be locked at all times when pressure washer is not in use.

⚠ CAUTION Keep hose away from sharp objects. Bursting hoses may cause injury. Examine hoses regularly and replace if damaged. Do not attempt to mend a damaged hose.

Garden Hose Connection Instructions

1. Attach swivel adapter to pump water inlet, if not already attached. Notice the swivel adapter is marked with the words pump and hose. Make sure to connect pump side of adapter to pump water inlet to prevent damage to the threads.
2. Attach garden hose to swivel adapter side marked hose.

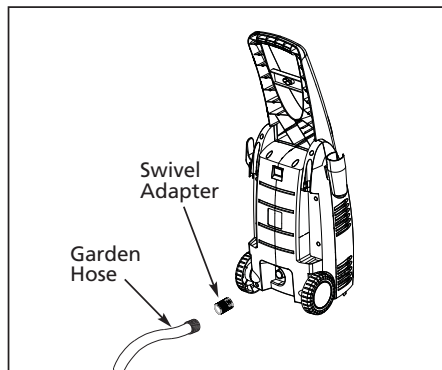


Figure 2 - Garden Hose Connection

Power Cord

1. Plug the power cord into a grounded 120V outlet and press the reset button as shown in Figure 3.
2. THIS MUST BE DONE EACH TIME THE UNIT IS PLUGGED IN AN OUTLET.

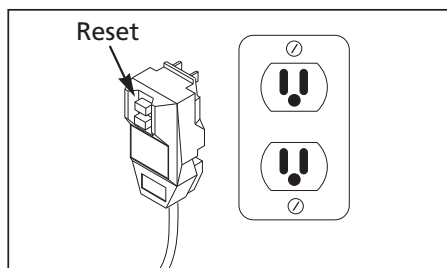


Figure 3 - Grounded plug/reset button

Operating Instructions and Parts List

PW1805

System Connection

1. Insert lance into the gun and turn clockwise to positive stop as shown in Figure 4.

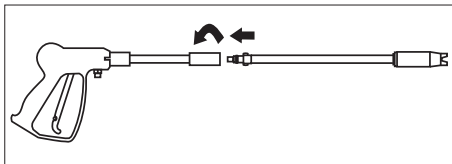


Figure 4 - Gun/Lance Connection

2. Attach the high pressure hose onto the gun by turning clockwise and tighten with a wrench.
3. Be sure that the power switch is in the "OFF" position.
4. Attach the high pressure hose onto the pump water outlet by turning clockwise and hand tightening.
5. Connect garden hose as explained under **Garden Hose Connection Instructions**.
6. Plug the power cord into a grounded 120V outlet.
7. Turn water on.
8. Unlock trigger lock by moving lock right to left.
9. Depress and hold the trigger on the gun for one minute to release pressure and remove any air trapped in the system.
10. Turn the "ON/OFF" switch to the "ON" position.

How to Avoid Damaging Surfaces

Directions for Use

Damage to cleaning surfaces occurs because the impact force of the water exceeds the durability of the surface. You can vary the impact force by controlling the nozzle's fan pattern, the nozzle's angle to the cleaning surface, and the nozzle's distance from the cleaning surface. Never use a narrow high impact stream or a turbo nozzle on a surface that is susceptible to damage. Avoid spraying windows with a narrow high impact stream or turbo nozzle. Doing so may break the window. The surest way to avoid damaging surfaces is to follow these steps:

1. Before triggering the gun, adjust the nozzle to a wide fan pattern.
2. Place the nozzle approximately 4-5 feet away from the cleaning surface. Then hold the nozzle at a 45° angle to the cleaning surface. Trigger the gun.
3. Vary the fan pattern spray angle and the distance to the cleaning surface until optimum cleaning efficiency is achieved without damaging the surface.

Nozzle Cleaning Instructions

A clogged or partially clogged nozzle can cause a significant reduction of water coming out of the nozzle and cause the unit to pulsate while spraying.

To clean out the nozzle:

- Turn off unit.
- Turn off water supply. Relieve any pressure trapped in the hose by squeezing trigger 2-3 times.

Operating Instructions and Parts List

PW1805

Nozzle Cleaning Instructions (Continued)

- Separate lance from gun.
- Rotate nozzle to the narrow stream setting. This opens up the fan blades.
- Using the included tip cleaner, or an un-folded paper clip, insert wire into the nozzle hole and move back and forth until debris is dislodged (refer to Figure 5).

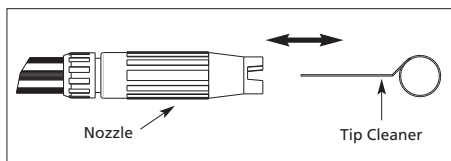


Figure 5

- Remove additional debris by back-flushing water through the nozzle. To do this, remove the lance from the gun, place end of a garden hose (with water running) to tip of nozzle pushing water and debris out the back opening of the lance.

Detergents

The use of detergents can dramatically reduce cleaning time and assist in the removal of difficult stains. Some detergents have been customized for pressure washer use on specific cleaning tasks. These detergents are approximately as thick as water. The use of thicker detergents, such as dish soap, will clog the chemical injection system and prevent the application of the detergent.

The cleaning power of detergents comes from applying them to a surface and giving the chemicals time to break down the dirt and grime. Detergents work best when applied at low pressure.

The combination of chemical action and high pressure rinsing is very effective. On vertical surfaces, apply the detergent starting at the bottom and work your way upward. This will prevent the detergent from sliding down and causing streaks. High pressure rinsing should also progress from the bottom to top. On particularly tough stains, it may be necessary to use a brush in combination with detergents and high pressure rinsing.

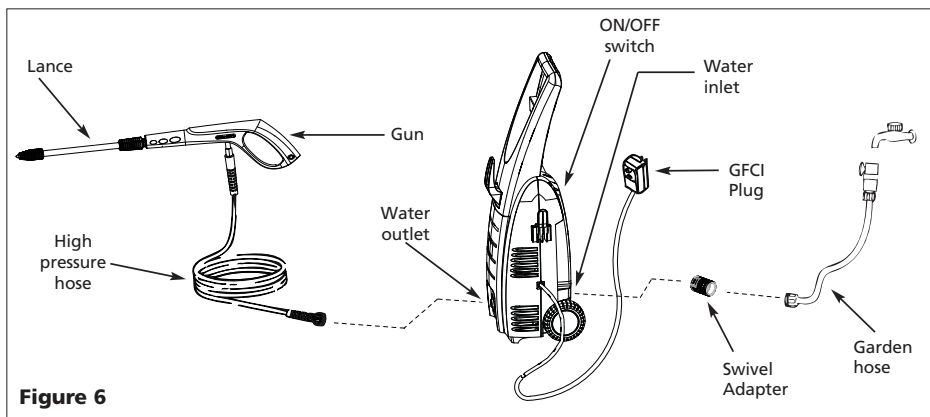


Figure 6

www.chpower.com

Operating Instructions and Parts List

PW1805

Operation

1. The lance is affected by pressure during operation; therefore hold it firmly with both hands and point the nozzle toward the ground.
2. Activate by pulling the trigger of the gun/spray handle.
3. Adjust the distance to the cleaning surface, which will also adjust your pressure of the nozzle.
4. Spray pattern shape and intensity can be changed by twisting the spray adjuster at the end of the lance. Keep hands clear of the front of the lance to prevent injury. See figure 7.

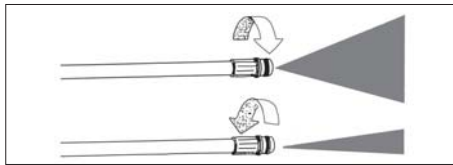


Figure 7 - Spray Adjust

END OF OPERATION

1. Press the ON/OFF switch to "OFF" on the pressure washer.
2. Disconnect the plug from the power source.
3. Shut off the water supply.
4. Activate the spray handle to relieve the machine of pressure.
5. Lock the trigger into the "OFF" position.

Notes

Operating Instructions and Parts List

PW1805

Replacement Parts List

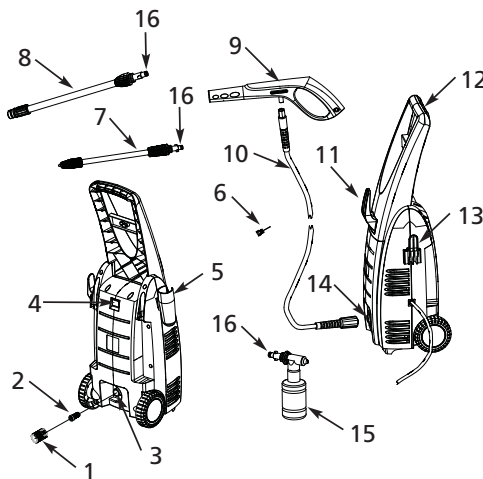
For Replacement Parts or Technical Assistance, Call 1-800-330-0712

Please provide following information:

- Model number
- Serial number (if any)
- Part description and number as shown in parts list

Address parts correspondence to:

Campbell Hausfeld
Attn: Customer Service
100 Mundy Memorial Drive
Mt. Juliet, TN 37122 U.S.A.



Ref. No.	Description	Part Number	Qty.
1	Swivel Adapter	PM350100SV	1
2	Filter	PM350101SV	1
3	Pump Inlet	N/A	1
4	Switch	N/A	1
5	Gun Holder	PM350111SV	1
6	Tip Cleaner	PM008500AV	1
7	Turbo Nozzle	PM350108SV	1
8	Adjustable Fan Lance	PM350104SV	1
9	Gun	PM350109SV	1
10	Hose	PM350110SV	1
11	Hose Holder	PM350112SV	1
12	Handle	PM350114SV	1
13	Power Cord Holder	PM350113SV	1
14	Pump Outlet	N/A	1
15	Detergent Bottle	PM350105AV	1
16	O-Ring	PM232200SV	3

Operating Instructions and Parts List

PW1805

Limited Warranty

1. DURATION: From the date of purchase by the original purchaser as follows: One Year.
2. WHO GIVES THIS WARRANTY (WARRANTOR): Campbell Hausfeld / Scott Fetzer Company, 100 Production Drive, Harrison, Ohio 45030, Telephone: (800) 330-0712
3. WHO RECEIVES THIS WARRANTY (PURCHASER): The original purchaser (other than for purposes of resale) of the Campbell Hausfeld pressure washer.
4. WHAT PRODUCTS ARE COVERED UNDER THIS WARRANTY: Any Campbell Hausfeld Pressure Washer supplied or manufactured by the Warrantor.
5. WHAT IS COVERED UNDER THIS WARRANTY: Substantial defects on material and workmanship which occur within the duration of the warranty period with the exceptions noted below. Warrantor will also cover normal wear items for a period of 90 days from the date of original purchase against defects in material and workmanship. These wear items include high pressure hoses, water and oil seals, o-rings, valves, lances, and spray tips.
6. WHAT IS NOT COVERED UNDER THIS WARRANTY:
 - A. Implied warranties, including those of merchantability and FITNESS FOR A PARTICULAR PURPOSE ARE LIMITED FROM THE DATE OF ORIGINAL PURCHASE AS STATED IN THE DURATION. If this pressure washer is used for commercial, industrial or rental purposes, the warranty will apply for ninety (90) days from the date of purchase. Some States do not allow limitation on how long an implied warranty lasts, so the above limitations may not apply to you.
 - B. ANY INCIDENTAL, INDIRECT, OR CONSEQUENTIAL LOSS, DAMAGE, OR EXPENSE THAT MAY RESULT FROM ANY DEFECT, FAILURE, OR MALFUNCTION OF THE CAMPBELL HAUSFELD PRESSURE WASHER. Some States do not allow the exclusion or limitation of incidental or consequential damages, so the above limitation or exclusion may not apply to you.
 - C. Any failure that results from shipping damage, accident, purchaser's abuse, neglect or failure to install and operate pressure washer in accordance with instructions provided in the owner's manual(s) supplied with product.
 - D. Pre-delivery service, i.e. assembly, oil or lubricants and adjustment.
 - E. Items or service normally required to maintain the pressure washer.
 - F. Gasoline engine and components are expressly excluded from coverage under this limited warranty. Such components should be returned by the purchaser to the original manufacturer or to its authorized repair stations for service.
 - G. Additional items not covered under the warranty:
 1. Motor brushes (Electric models only).
 2. Cosmetic defects that do not interfere with functionality.
 3. Rusted components.
 4. Pump wear or valve damage caused by using improper oil, oil contamination or by failure to follow proper oil maintenance guidelines.
7. RESPONSIBILITIES OF WARRANTOR UNDER THIS WARRANTY: Repair or replace, at Warrantor's option, pressure washer or component which is defective, has malfunctioned and/or failed to conform within duration of the warranty period.
8. RESPONSIBILITIES OF PURCHASER UNDER THIS WARRANTY:
 - A. Provide dated proof of purchase and maintenance records.
 - B. Call Campbell Hausfeld (800-330-0712) to obtain your warranty service options. Freight costs must be borne by the purchaser.
 - C. Use reasonable care in the operation and maintenance of the pressure washer as described in the owner's manual(s).
9. WHEN WARRANTOR WILL PERFORM REPAIR OR REPLACEMENT UNDER THIS WARRANTY: Repair or replacement will be scheduled and serviced according to the normal work flow at the servicing location, and depending on the availability of replacement parts.

This Limited Warranty applies in the U.S., Canada and Mexico only and gives you specific legal rights. You may also have other rights which vary from state to state or country to country.

Manuel d'instructions et pièces de rechange**PW1805**

S'il vous plaît lire et conserver ces instructions. Lire attentivement avant de monter, installer, utiliser ou de procéder à l'entretien du produit décrit. Se protéger ainsi que les autres en observant toutes les instructions de sécurité, sinon, il y a risque de blessure et / ou dégâts matériels ! Conserver ces instructions comme référence.

CAMPBELL Pulvérisateur de HAUSFELD. Lavage Électrique

Spécifications

Modèle	Pouvoir de nettoyage	Pression Maximum	Capacité Maximum	Température Max. d'Arrivée	Tension	Ampérage	Poids du Modèle
PW1805	70 613	12 410 kPa	5,69 L/min	38° C	120V	14 A	9,98 kg

**Figure 1****Directives de Sécurité**

Ce manuel contient de l'information très importante qui est fournie pour la SÉCURITÉ et pour ÉVITER LES PROBLÈMES D'ÉQUIPEMENT. Rechercher les symboles suivants pour cette information.

⚠ AVERTISSEMENT *Avertissement indique une situation hasardeuse potentielle qui, si elle n'est pas évitée, PEUT résulter en perte de vie ou blessures graves.*

⚠ ATTENTION *Attention indique une situation hasardeuse potentielle qui, si elle n'est pas évitée, PEUT résulter en blessures.*

REMARQUE ou AVIS:
L'information qui exige une attention spéciale.

IMPORTANT !

Ce pulvérisateur de lavage est équipé d'un microrupteur sensible au débit d'eau. Cet interrupteur de Marche/Arrêt Instantané (Instant Start/Stop - ISS) est sensible au débit d'eau dans la pompe. Quand la gâchette est lâchée, le débit d'eau à travers la pompe s'arrête. Le ISS coupe le moteur automatiquement afin de protéger la pompe contre le surchauffage.

FONCTIONNEMENT

1. Tirez la gâchette du pistolet.
2. Tourner l'interrupteur à « ON » (en marche)
3. Lâcher la gâchette. Le moteur du pulvérisateur de lavage s'arrêtera.
4. Pour pulvériser de nouveau, tirer sur la gâchette. Le moteur et la pompe se remettront en marche.

Remarque: Le moteur pourrait fonctionner de temps en temps afin de fournir de l'eau fraîche à la pompe (même si la gâchette n'est pas actionnée). Ceci est normal et n'endommagera pas le modèle.

ATTENTION *Toujours tourner l'interrupteur « ON/OFF » (marche/arrêt) à la position « OFF » (arrêt), et ensuite appuyer sur la gâchette pour dissiper la pression avant de débrancher le cordon d'alimentation.*

ATTENTION *Risque de dommage à l'équipement. Assurez-vous toujours que l'interrupteur ON/OFF (MARCHE/ARRÊT) de l'appareil est en position « OFF » et que l'appareil est débranché avant de le ranger.*

AVERTISSEMENT *Risque d'injection. Le modèle pulvérisera lorsque la gâchette est actionnée si l'interrupteur « ON/OFF » (MARCHE/ARRÊT) est dans la position « ON » (EN MARCHE). Toujours pointer le pistolet dans une direction hors de danger.*

Appelez 1-800-330-0712 pour le Service Technique

Importantes Instructions de Sécurité**CONSERVER CES INSTRUCTIONS****AVERTISSEMENT**

En utilisant ce produit, il faut suivre les précautions de base, y compris ce qui suit :

1. Lire toutes les instructions avant d'utiliser le produit.
2. TOUJOURS couper le courant avant de démonter ou de réparer l'appareil.
3. Suivre tous les codes de sécurité en plus de l'Occupational Safety and Health Act (OSHA).
4. S'assurer que les dispositifs de sécurité fonctionnent correctement avant chaque utilisation. NE PAS retirer ou modifier toute pièce du pistolet ou de l'appareil.
5. Il faut savoir comment arrêter l'appareil et purger la pression rapidement. Bien se familiariser avec les commandes.
6. Il faut être vigilant et savoir ce qu'on fait.
7. Ne pas faire fonctionner le produit fatigué ou sous l'influence de drogues ou d'alcool.
8. Garder les personnes loin de l'aire de fonctionnement.
9. Ne pas se pencher ou se tenir debout sur un support instable. Garder bon pied et bon équilibre en tout temps.
10. Suivre les instructions d'entretien présentées dans le manuel.

Manuel d'instructions et pièces de rechange**PW1805**

11. Ce produit est fourni avec un disjoncteur de fuite à la terre et il faut s'assurer d'inspecter le cordon et le disjoncteur avant d'utiliser l'appareil. Tout travail d'entretien et de réparation du cordon doit être effectué par un technicien électrique qualifié (agréé ou certifié).
12. Ne jamais utiliser de rallonge avec ce produit.
13. Le cordon de ce produit contient des produits chimiques, y compris du plomb, qui de l'avis de l'État de Californie peut causer le cancer et des anomalies congénitales ou d'autres problèmes pour la reproduction. Se laver les mains après toute manipulation.
14. Pour réduire les risques de blessures, il faut une supervision étroite lorsqu'un produit est utilisé près d'enfants.

▲ AVERTISSEMENT**Risque d'électrocution.**

- Inspecter le cordon avant d'utiliser l'appareil - Ne pas utiliser si le cordon est endommagé.
- Garder toutes les connexions électriques sèches et loin du sol.
- Ne pas toucher la fiche avec les mains humides.
- Ce produit est fourni avec un disjoncteur de fuite à la terre intégré à la fiche du cordon. S'il faut remplacer la fiche ou le cordon, utiliser seulement des pièces de rechange identiques.
- Ne pas pulvériser d'appareils électriques et de câblage.

▲ AVERTISSEMENT**Risque d'injection ou de blessure grave.**

- Haute pression. Rester loin de l'embout. Ne pas décharger de jets vers les personnes ou les animaux.
- Ne jamais mettre la main ou les doigts sur les embouts de pulvérisation tandis que l'appareil est en marche.
- Ne jamais essayer d'arrêter ou de détourner les fuites avec toute partie du corps.
- Toujours engager le verrou de sécurité de la gâchette en position sans danger même si on arrête seulement pendant quelques moments.
- Pointer le pistolet dans une direction sans danger. L'unité commencera à pulvériser lorsque la gâchette est pressée si l'interrupteur « marche/arrêt » est à la position « ON » (marche).
- Pression de décharge - lorsque l'interrupteur « marche/arrêt » est à la position « arrêt », il pourrait y avoir encore de la pression. Pour décharger la pression, pointer le pistolet dans une direction sans danger et presser la gâchette.

▲ AVERTISSEMENT**Risque d'explosion**

- Ne pas pulvériser de liquides inflammables.
- Ne jamais utiliser dans les endroits contenant de la poussière, des liquides ou des vapeurs combustibles.

Manuel d'instructions et pièces de rechange

PW1805

Importantes Instructions de Sécurité (Suite)**⚠ ATTENTION**

- Haute pression – le pistolet a un recul – Tenir le pistolet des deux mains.
- Garder le tuyau loin d'objets tranchants. Les tuyaux qui éclatent peuvent causer des blessures. Examiner régulièrement les tuyaux et les remplacer s'ils sont endommagés. Ne jamais essayer de réparer un tuyau endommagé.

AVIS

- Utiliser seulement des détergents spécifiquement formulés pour les pulvérisateurs à pression. Toujours suivre les recommandations des étiquettes du fabricant de détergent pour la bonne utilisation des détergents. Toujours se protéger les yeux, la peau et le système respiratoire du détergent.
- Convient pour l'utilisation à l'intérieur et à l'extérieur. Ranger à l'intérieur et à un endroit où la température reste sous le point de congélation.
- Débrancher l'appareil lorsqu'il n'est pas utilisé.
- Le pulvérisateur à pression n'est pas conçu pour pomper l'eau chaude. Ne pas brancher à l'alimentation d'eau chaude.
- Ne jamais laisser l'appareil sans supervision tandis que l'appareil est en marche.
- Toujours mettre l'alimentation d'eau à « ON » (marche) avant de mettre l'appareil en marche (ON). Faire tourner la pompe à sec cause de graves dommages.

Entretien d'un Appareil à Double Isolation

Dans un appareil à double isolation, deux systèmes d'isolation sont fournis à la place d'une mise à la terre. Aucun système de mise à la terre n'est fourni sur un appareil à double isolation et aucun moyen de mise à la terre ne doit y être ajouté. Faire l'entretien d'un appareil à double isolation demande des soins attentifs et une connaissance parfaite du système et ne sera exécuté que par des personnes compétentes. Les pièces de rechange pour un appareil à double isolation doivent être identiques aux pièces qu'elles remplacent. Un appareil à double isolation doit porter l'inscription « DOUBLE ISOLATION » (Double Insulated). Le symbole peut aussi se trouver sur l'appareil.



Symbole de double isolement

⚠ AVERTISSEMENT *Ne pas utiliser une pression qui dépasse la pression de service de n'importe quelle pièce détachée (tuyaux, raccords, etc.) dans le système pressurisé. S'assurer que tout l'équipement et les accessoires soient classifiés pour la pression de service maximum du modèle.*

⚠ AVERTISSEMENT *Risque d'explosion.*

- NE JAMAIS pulvériser des liquides inflammables, ni utiliser le pulvérisateur de lavage là où il y a de la poussière, liquides ou vapeurs combustibles.
- Ne jamais faire fonctionner cette machine dans un bâtiment clos dans un environnement explosif.

Manuel d'instructions et pièces de rechange

PW1805

Entretien d'un Appareil à Double Isolation (Suite)**▲ AVERTISSEMENT** *Ne pas pulvériser les appareils électriques ni le câblage*

- Ne jamais débrancher le tuyau de décharge de haute pression du modèle pendant que le système soit pressurisé. Pour dépressuriser le modèle, mettre hors circuit et couper l'eau. Appuyer sur la gâchette du pistolet 2-3 fois.
- Ne jamais engager le mécanisme de gâchette sur le pistolet de façon permanente.
- Ne jamais faire fonctionner la machine si toutes les pièces détachées ne sont pas fixées correctement au modèle. (manche, montage de pistolet/baguettes buse, etc.)

▲ AVERTISSEMENT *Dégâts d'équipement*

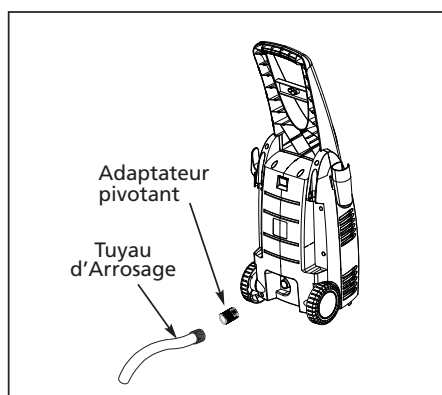
- TOUJOURS alimenter la source d'eau « ON » avant de mettre le pulvérisateur de lavage en marche « ON ». Le fonctionnement de la pompe à sec causera le dommage sérieux.
- Ne pas faire fonctionner le pulvérisateur de lavage sans filtre d'arrivée d'eau. Garder le filtre libre de débris et de sédiment.
- NE JAMAIS faire fonctionner le pulvérisateur de lavage avec des pièces manquantes ou cassées. Inspecter l'équipement régulièrement et remplacer les pièces usées ou endommagées immédiatement.
- Utiliser seulement la buse fournie avec cette machine.
- Ne jamais laisser la baguette sans surveillance pendant que la machine fonctionne.

- Ne jamais essayer de modifier les réglages de l'usine. Modifier les réglages de l'usine pourrait endommager le modèle et niera la garantie.
- Toujours tenir le pistolet et la baguette fermement pendant le démarrage et le fonctionnement de la machine.
- NE JAMAIS permettre que le modèle fonctionne avec la gâchette relâchée (off) pendant plus qu'une minute. L'accumulation de la chaleur endommagera la pompe.
- Le pulvérisateur de lavage n'est pas conçu pour pomper l'eau chaude. NE JAMAIS brancher le pulvérisateur à une source d'eau chaude. Ceci pourrait diminuer la durée de la pompe de façon spectaculaire.
- NE JAMAIS entreposer le pulvérisateur de lavage dehors ni là où il peut geler. La pompe sera endommagée de façon sérieuse.
- Relâcher la gâchette lorsque vous changez du mode pression haute au mode pression basse. Sinon vous risquez d'endommager la buse.

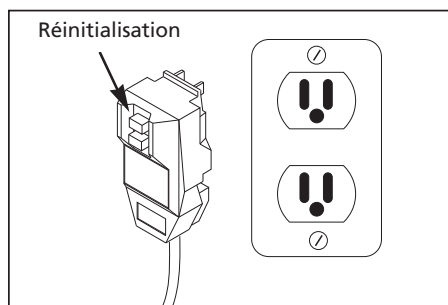
▲ ATTENTION *Garder le tuyau à l'écart d'objets pointus. Les tuyaux qui éclatent peuvent causer des blessures. Inspecter les tuyaux régulièrement et les remplacer si endommagés. Ne pas essayer de réparer un tuyau endommagé.*

Manuel d'instructions et pièces de rechange**PW1805****Branchement du Tuyau d'Arrosage**

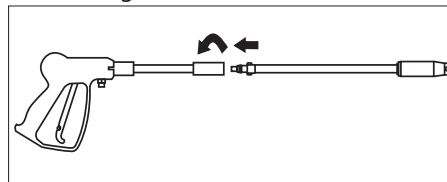
1. Installer l'adaptateur pivotant à l'orifice d'entrée d'eau sur la pompe, s'il n'est pas encore installé. Observer que l'adaptateur pivotant est marqué avec les mots « pump » (pompe) et « hose » (tuyau). S'assurer d'installer le côté de la pompe de l'adaptateur à l'orifice d'entrée d'eau de la pompe, pour prévenir de dommages au filet.
2. Brancher le tuyau au côté de l'adaptateur pivotant marqué « hose » (tuyau).
3. Le pistolet pulvérisateur doit être verrouillé en position « OFF » à l'aide du verrou de sécurité de la gâchette, qui se trouve juste au-dessus de la gâchette du pistolet. Activer le verrouillage en tenant le pistolet et poussant le verrou de gauche à droite. Presser la gâchette pour s'assurer qu'elle est bien verrouillée. Quand la laveuse à pression n'est pas utilisée, la gâchette doit être verrouillée en tout moment.

**Figure 2 - Branchement de Tuyau d'Arrosage****Cordon**

1. Branchez le cordon dans une prise mise à la terre de 120 V et appuyez sur le bouton de réinitialisation tel qu'illustré à la Figure 3.
2. ON DOIT LE FAIRE CHAQUE FOIS QU'ON BRANCHE L'UNITÉ DANS UNE PRISE.

**Figure 3 - Prise de terre/réinitialisation****Branchement du Système**

1. Introduire la lance dans le pistolet et tourner au sens des aiguilles d'une montre à l'arrêt positif tel qu'indiqué sur la Figure 4.

**Figure 4 - Branchement de Pistolet/Lance**

2. Connecter le tuyau haute pression au pistolet en le tournant en sens horaire et resserrer à l'aide d'une clé.
3. S'assurer que l'interrupteur soit dans la position OFF (hors circuit).

**Branchement du Système
(Suite)**

4. Connecter le tuyau haute pression à la sortie d'eau de la pompe en le tournant en sens horaire et resserrant à la main.
5. Brancher le tuyau d'arrosage selon les directives: **Instructions de Branchement du Tuyau d'Arrosage.**
6. Branchez le cordon dans la prise mise à la terre de 120V.
7. Faire circuler l'eau.
8. Déverrouiller le verrou de la gâchette en déplaçant le verrou de droite à gauche.
9. Appuyer sur et tenir la gâchette du pistolet pendant une minute afin de dissiper la pression et d'enlever l'air emprisonné dans le système.
10. Tourner l'interrupteur « ON » (en marche).

**COMMENT ÉVITER
D'ENDOMMAGER LES
SURFACES****Mode d'emploi**

On peut endommager les surfaces de nettoyage à cause de la force d'impact de l'eau dépassant la durabilité de la surface. On peut varier la force d'impact en contrôlant le motif d'éventail de l'embout, l'angle d'embout de la surface à nettoyer et la distance de l'embout à la surface à nettoyer. Ne jamais utiliser d'embout à vapeur étroit à fort impact ou d'embout turbo sur une surface susceptible d'être endommagée. Éviter de pulvériser les fenêtres avec un embout à vapeur étroit à fort impact ou un embout turbo. Ceci pourrait casser la fenêtre. Le meilleur moyen d'éviter d'endommager les surfaces est de suivre ces étapes.

1. Avant de tirer la gâchette, ajuster l'embout à un motif en éventail large.
2. Placer l'embout à environ 1,2 à 1,5 m (4 à 5 pieds) de la surface à nettoyer. Tenir ensuite l'embout à un angle de 45° par rapport à la surface à nettoyer. Tirer la gâchette.
3. Varier l'angle de pulvérisation du motif en éventail et la distance à la surface à nettoyer jusqu'à ce qu'on atteigne l'efficacité de nettoyage maximale sans endommager la surface.

INSTRUCTIONS DE NETTOYAGE DE L'EMBOUT

Un embout bloqué ou partiellement bloqué peut provoquer une réduction prononcée d'eau sortant de l'embout et alors l'appareil aura une pulsion en pulvérisant.

Pour nettoyer l'embout :

- Éteindre l'appareil.
- Éteindre l'alimentation d'eau.
Dégager toute pression dans le tuyau en pressant la gâchette 2 à 3 fois.
- Retirer la lance du pistolet.
- Tourner l'embout à un réglage de jet étroit. Ceci ouvre les lames en éventail.
- Utiliser le nettoyeur de buse inclus ou un trombone déplié et insérer le fil dans le trou de l'embout pour ensuite utiliser un mouvement de va et vient jusqu'à ce que les débris soient débloqués (se reporter à la figure 5).
- Retirer tous autres débris en rinçant l'embout avec de l'eau. Pour ce faire, retirer la lance du pistolet, mettre l'extrémité du tuyau d'arrosage (l'eau courant) contre l'extrémité de la buse pour pousser l'eau et les débris hors de l'ouverture arrière de la lance.

Détergents

L'utilisation de détergents peut réduire de beaucoup le temps de nettoyage et aider à retirer les taches rebelles. Certains détergents sont fabriqués pour les pulvérisateurs pour certaines taches spécifiques de nettoyage. Ces détergents sont d'une épaisseur semblable à l'eau. L'utilisation de détergents plus épais, comme le savon à vaisselle, bloquera le système d'injection chimique et empêchera l'application du détergent. Le pouvoir de nettoyage des détergents provient de leur application à une surface pour ensuite donner aux produits chimiques le temps de décomposer la saleté et la poussière. Les détergents fonctionnent mieux sous une application à basse pression.

La combinaison d'action chimique et de rinçage haute pression est très efficace. Sur les surfaces verticales, appliquer le détergent en commençant au bas et en travaillant vers le haut. Ceci empêchera le détergent de glisser vers le bas créant des coulées. Le rinçage haute pression devrait aussi se faire de bas en haut. Pour les taches particulièrement rebelles, il faudra peut-être utiliser une brosse en plus des détergents et du rinçage haute pression.

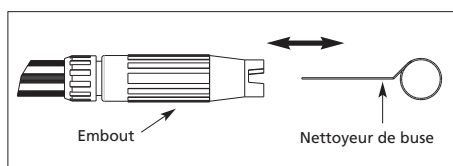


Figure 5

Manuel d'instructions et pièces de rechange

PW1805

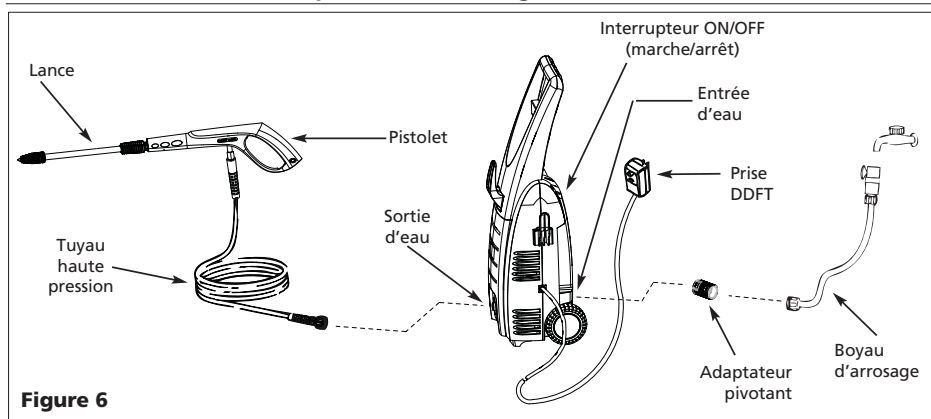


Figure 6

Fonctionnement

1. Durant le travail, la lance est affectée par la pression ; alors, il faut la tenir fermement à deux mains et pointer la buse vers le plancher.
2. Activer en tirant de la gâchette du pistolet pulvérisateur/poignée.
3. Régler la distance de la surface à nettoyer ; ceci réglera aussi la pression de la buse. Se référer à manuel du produit pour le fonctionnement, le nettoyage de surface, et comme éviter de dommages aux surfaces, et plus encore.

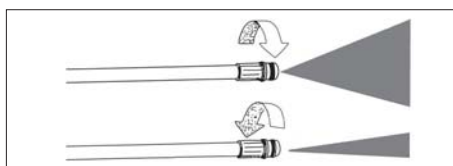


Figure 7 - Réglage de pulvérisation

CONCLUSION DU TRAVAIL

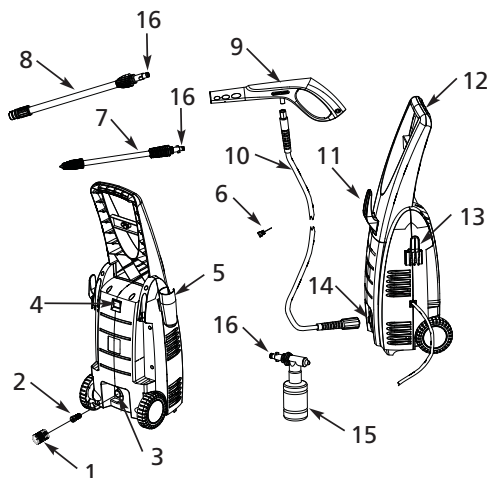
1. Presser l'interrupteur ON/OFF de la laveuse à pression sur « OFF ».
2. Débrancher la fiche de la source de courant.
3. Couper l'alimentation d'eau.
4. Activer le manche pulvérisateur pour dégager toute pression de la machine.
5. Verrouiller la gâchette sur la position « OFF ».

Manuel d'instructions et pièces de rechange**PW1805****Liste de Pièces de Rechange****Pour Pièces de Rechange ou assistance technique,
Appelez 1-800-330-0712***S'il vous plaît fournir l'information suivante :*

- Numéro de Modèle
- Numéro de Série (si applicable)
- Description et numéro de la pièce indiqués sur la liste de pièces de rechange

Adresser toute correspondance à :

Campbell Hausfeld
 Attn: Customer Service
 100 Mundy Memorial Drive
 Mt. Juliet, TN 37122 U.S.A.



No de Réf.	Description	No de Pièce	Qté.
1	Adaptateur pivotant	PM350100SV	1
2	Filtre	PM350101SV	1
3	Aspiration	N/A	1
4	Interrupteur	N/A	1
5	Support de pistolet	PM350111SV	1
6	Nettoyeur de Buse	PM008500AV	1
7	Embout turbo	PM350108SV	1
8	Lance à jet éventail ajustable	PM350104SV	1
9	Pistolet	PM350109SV	1
10	Tuyau	PM350110SV	1
11	Porte-tuyau	PM350112SV	1
12	Manche	PM350114SV	1
13	Support du cordon	PM350113SV	1
14	Sortie	N/A	1
15	Bouteille de détergent	PM350105AV	1
16	Joint torique	PM232200SV	3

Manuel d'instructions et pièces de rechange**PW1805****Garantie Limitée**

1. DURÉE : De la date d'achat de l'acheteur original comme suit : un an.
 2. QUI OFFRE CETTE GARANTIE (GARANT) : Campbell Hausfeld/ Scott Fetzer Company, 100 Production Drive, Harrison, Ohio 45030, Téléphone : (800) 330-0712
 3. BÉNÉFICIAIRE DE CETTE GARANTIE (ACHETEUR) : L'acheteur original (sauf en cas de revente) du pulvérisateur à pression Campbell Hausfeld.
 4. QUELS PRODUITS SONT COUVERTS SOUS CETTE GARANTIE : Tout pulvérisateur à pression Campbell Hausfeld fourni ou fabriqué par le garant.
 5. CE QUI EST COUVERT SOUS CETTE GARANTIE : Défauts importants de matériau et de main d'œuvre qui se produisent durant la période de garantie à l'exception de ce qui est noté plus bas. La garantie couvre aussi les articles sujets à l'usure normale pour une période de 90 jours de la date d'achat originale contre les défauts causés par matériau et main d'œuvre. Ces articles incluent les tuyaux haute pression, les bagues d'étanchéité d'huile et eau, les joints toriques, les soupapes, les lances et les buses de pulvérisation.
 6. LA PRÉSENTE GARANTIE NE COUVRE PAS:
 - A. Les garanties implicites, y compris celles de commercialité et D'ADAPTATION À UNE FONCTION PARTICULIÈRE SONT LIMITÉES À PARTIR DE LA DATE D'ACHAT INITIALE TELLE QU'INDIQUÉE DANS LA SECTION DURÉE. Si ce pulvérisateur à pression est utilisé à des fins commerciales, industrielles ou de location, la garantie s'applique pendant quatre-vingt-dix (90) jours de la date d'achat. Certains états n'acceptent pas de limites quant à la durée de la garantie implicite, il se peut donc que les limites précédentes ne s'appliquent pas dans votre cas.
 - B. TOUT DOMMAGE, PERTE OU DÉPENSE FORTUIT, INDIRECT OU CONSÉCUTIF POUVANT RÉSULTER DE TOUT DÉFAUT, PANNE OU MAUVAIS FONCTIONNEMENT DU pulvérisateur à pression CAMPBELL HAUSFELD. Certains États n'acceptent pas de limite ou d'exclusion pour les dommages indirects ou consécutifs, donc il se peut que la limite ou l'exclusion précédente ne s'applique pas dans votre cas.
 - C. Toute défaillance découlant de dommages durant l'expédition, d'accidents, de mauvais traitements de l'acheteur, de négligence ou de défaillance au niveau de l'installation et du fonctionnement du pulvérisateur à pression conformément aux instructions fournies dans le(s) manuel(s) de propriétaire fourni(s) avec le produit.
 - D. Service avant livraison soit le montage, l'huile ou la graisse et les réglages par exemple.
 - E. Articles ou services qui sont exigés pour l'entretien normal du pulvérisateur à pression.
 - F. Les moteurs à essence et les pièces détachées sont expressément exclus de cette garantie limitée. De tels composants doivent être retournés par l'acheteur au fabricant original ou à son centre de service autorisé pour les réparations.
 - G. Articles supplémentaires qui ne sont pas couverts sous cette garantie:
 1. Les balais de moteur (modèles électriques seulement).
 2. Les défauts cosmétiques qui n'ont pas d'effet sur le fonctionnement de l'appareil.
 3. Composants rouillés.
 4. Usure de la pompe ou dommage aux soupapes causé(e) par la mauvaise huile, toute contamination d'huile ou par le fait de ne pas suivre les directives d'entretien d'huile.
 7. RESPONSABILITÉ DU GARANT AUX TERMES DE CETTE GARANTIE : Réparation ou remplacement, au choix du Garant, d'un pulvérisateur à pression ou d'un composant qui s'est révélé défectueux, qui fonctionne mal et/ou qui n'est pas conforme pendant la durée de validité de la garantie.
 8. RESPONSABILITÉ DE L'ACHETEUR AUX TERMES DE CETTE GARANTIE :
 - A. Fournir une preuve d'achat datée et un état d'entretien.
 - B. Appelez Campbell Hausfeld (800-330-0712) pour obtenir vos options de service sous garantie. Les frais de transport sont la responsabilité de l'acheteur.
 - C. Faire preuve de soins raisonnables durant le fonctionnement et l'entretien du pulvérisateur à pression tel que décrit dans le(s) manuel(s) du propriétaire.
 9. RÉPARATION OU REMPLACEMENT EFFECTUÉ(E) PAR LE GARANT AUX TERMES DE LA PRÉSENTE GARANTIE : La réparation ou le remplacement sera prévu(e) et exécuté(e) en fonction de la charge de travail dans le centre de service et dépendra de la disponibilité des pièces de rechange.
- Cette Garantie Limitée s'applique aux É.-U., au Canada et au Mexique seulement et vous donne des droits juridiques précis. Vous pourriez aussi avoir d'autres droits qui varient d'une juridiction à l'autre ou d'un pays à l'autre.

Instrucciones de montaje y lista de piezas**PW1805**

Sírvase leer y conservar estas instrucciones. Léalas cuidadosamente antes de intentar armar, instalar, operar o efectuar mantenimiento al producto descrito. Protéjase a sí mismo y a los demás observando toda la información de seguridad. ¡El no cumplir con las instrucciones podría ocasionar lesiones personales y/o daños materiales! Conserve estas instrucciones para futura referencia.


**CAMPBELL
HAUSFELD®**

Hidrolavadora Eléctrica

Especificaciones

Modelo	Poder de limpieza	Presión Máxima	Capacidad Máxima	Temperatura Máxima del Agua de Entrada	Voltaje	Amperaje	Peso de la Unidad
PW1805	706,13	124,10 bar	5,69 L/min	38° C	120V	14 A	9,98 kg


Figura 1

Medidas de Seguridad

Este manual contiene información que es muy importante que sepa y comprenda. Esta información se la suministramos como medida de SEGURIDAD y para EVITAR PROBLEMAS CON EL EQUIPO. Debe reconocer los siguientes símbolos.

▲ ADVERTENCIA Esto le indica una situación que, si no se evita, PODRÍA ocasionarle la muerte o heridas de gravedad.

▲ PRECAUCION Esto le indica que hay una situación que, si no se evita, PODRÍA ocasionarle heridas no muy graves.

NOTA o AVISO: información que requiere atención especial.

Instrucciones de montaje y lista de piezas

PW1805

¡ IMPORTANTE !

Esta lavadora a presión está equipada con un microinterruptor sensible al flujo del agua. Este interruptor de arranque y parada instantáneos detecta el flujo del agua en la bomba. Cuando se suelta el gatillo, el agua deja de fluir por la bomba. Entonces, el interruptor de arranque y parada instantáneos apaga el motor para proteger la bomba del recalentamiento.

OPERACIÓN

1. Presione el gatillo en la pistola.
2. Coloque el interruptor "ON/OFF" ("ENCENDIDO/APAGADO") en "ON" ("ENCENDIDO").
3. Suelte el gatillo. El motor de la lavadora a presión se detendrá.
4. Para rociar nuevamente, tire del gatillo, y el motor y la bomba arrancarán otra vez.

NOTA: El motor puede ocasionalmente funcionar por un corto tiempo para llevar agua fresca fría a la bomba, aunque se haya soltado el gatillo. Esto es parte del funcionamiento normal y no dañará la unidad.

⚠PRECAUCION

Ponga siempre el interruptor "ON/OFF" (ENCENDIDO/APAGADO) en "OFF" (APAGADO) y luego presione el gatillo de la pistola para liberar la presión en la manguera, antes de desenchufar el cordón de energía.

⚠PRECAUCION

Riesgo de daño al equipo. Siempre asegúrese de que el interruptor "ON/OFF" (ENCENDIDO/APAGADO) de la unidad se encuentre en la posición "OFF" (APAGADO) y que la unidad esté desenchufada antes de guardarla.

⚠ADVERTENCIA

Peligro de inyección. La unidad comenzará a rociar al oprimir el gatillo si el interruptor "ON/OFF" ("ENCENDIDO/APAGADO") está en la posición "ON" (encendido). Siempre apunte la pistola hacia una posición segura.

**Llame al 1-800-330-0712
para Servicio Técnico
(sólo en los Estados Unidos)**

Instrucciones de Seguridad Importantes**GUARDE ESTAS INSTRUCCIONES****⚠ADVERTENCIA**

Quando use este producto, siempre se deberán seguir precauciones básicas, incluyendo las siguientes:

1. Lea todas las instrucciones antes de usar el producto.
2. SIEMPRE desconecte la corriente antes de desarmar o reparar la unidad.
3. Cumpla con todos los códigos de seguridad así como también con la Ley de salud y seguridad ocupacional (OSHA).
4. Asegúrese de que los dispositivos de seguridad estén funcionando correctamente antes de cada uso. NO quite ni modifique ninguna pieza de la pistola o la unidad.
5. Aprenda cómo detener este producto y liberar la presión rápidamente. Familiarícese bien con los controles.
6. Manténgase alerta y mire lo que está haciendo.
7. No haga funcionar el producto cuando esté fatigado o bajo la influencia de drogas o alcohol.
8. Mantenga a todas las personas alejadas del área de funcionamiento.
9. No se estire ni se pare sobre un apoyo inestable. Mantenga un buen soporte y equilibrio en todo momento.
10. Siga las instrucciones de mantenimiento que se especifican en el manual.

Instrucciones de montaje y lista de piezas**PW1805**

11. Este producto se proporciona con un interruptor de circuito de descarga a tierra, GFCI, asegúrese de inspeccionar el cable y el GFCI antes de usar la unidad. Cualquier reparación o reemplazo del cable de corriente deben ser realizados por un técnico electricista calificado (licenciado o certificado).
12. Nunca use un cable de extensión con este producto.
13. El cable de corriente de este producto contiene productos químicos, incluyendo plomo, que es conocido por el Estado de California como causante de cáncer y defectos de nacimiento u otros daños reproductivos. Lávese las manos después de manipularlo.
14. Para reducir el riesgo de lesiones, se deberá supervisar muy de cerca cuando un producto se usa cerca de niños.

⚠ ADVERTENCIA**Riesgo de electrocución**

- Inspeccione el cable antes de usar la unidad - No la use si el cable está dañado.
- Mantenga todas las conexiones eléctricas secas y lejos del suelo.
- No toque el enchufe con las manos mojadas.
- Este producto se proporciona con un interruptor de circuito de descarga a tierra incorporado en el enchufe del cable de corriente. Si fuera necesario reemplazar el enchufe o el cable, use sólo piezas de repuesto idénticas.
- No rocíe sobre aparatos eléctricos ni cableados.

⚠ ADVERTENCIA**Riesgo de inyección o lesiones graves**

- Alta presión. Manténgase alejado de la boquilla. No descargue chorros hacia las personas o animales.
- Nunca coloque la mano ni los dedos sobre la boquilla de rociado mientras opera la unidad.
- Nunca intente detener ni desviar las pérdidas con partes de su cuerpo.
- Siempre enganche el pasador de seguridad del gatillo en la posición segura cuando detiene el rociado, aunque sea solamente por algunos minutos.
- Apunte la pistola en una dirección segura. La unidad comenzará a rociar cuando se apriete el gatillo si el interruptor de encendido y apagado ("on/off") se encuentra en la posición de encendido de la lavadora a presión ["ON"].
- Descarga de la presión: cuando el interruptor de encendido/apagado ("on/off") se encuentra en la posición de apagado ("off"), aún puede existir presión en la unidad. Para descargar la presión, apunte la pistola hacia una dirección segura y apriete el gatillo.

⚠ ADVERTENCIA**Riesgo de explosión**

- No rocíe líquidos inflamables.
- Nunca use la unidad en áreas que contengan polvo, líquidos o vapores combustibles.

Instrucciones de montaje y lista de piezas

PW1805

Instrucciones de Seguridad Importantes (Continuación)

▲PRECAUCION

- Alta presión – La pistola produce un contragolpe – Sostenga la pistola con ambas manos.
- Mantenga la manguera alejada de objetos afilados. Si la manguera explota puede causar lesiones. Examine la manguera regularmente y reemplácela si está dañada. No intente reparar una manguera dañada.

AVISO

- Use sólo detergentes formulados específicamente para lavadoras a presión. Siempre siga las recomendaciones que se encuentran en la etiqueta del fabricante para el uso adecuado de detergentes. Siempre proteja del detergente los ojos, la piel y las vías respiratorias.
- Para uso tanto en interiores como exteriores. Guarde en el interior donde la temperatura permanezca por encima del punto de congelación.
- Desenchufe la unidad cuando no la esté usando.
- La lavadora a presión no está diseñada para bombear agua caliente. No la conecte a un suministro de agua caliente.
- Nunca deje la unidad sin supervisión mientras esté enchufada.
- Siempre encienda el suministro de agua antes de encender la lavadora a presión. El poner la bomba seca en funcionamiento provoca daños.

Instrucciones de montaje y lista de piezas

PW1805

FORMA DE REPARAR UN APARATO DE DOBLE AISLAMIENTO

Los productos de doble aislamiento contienen dos sistemas de aislamiento en lugar de una conexión a tierra. No hay forma de conectar a tierra un producto con doble aislamiento, ni se le debe instalar ninguna forma de hacerlo. La reparación de un producto con doble aislamiento requiere un gran cuidado y conocimiento del sistema y se debe hacer solamente por personal de servicio debidamente calificado. Las piezas de repuesto para un producto con doble aislamiento deben ser idénticas a las piezas que van a substituir. Un producto con doble aislamiento, fabricado en los Estados Unidos, está marcado con las palabras "DOUBLE INSULATION" (DOBLE AISLAMIENTO) o "DOUBLE INSULATED" (AISLADO DOBLEMENTE). El símbolo también puede estar marcado sobre el producto.



⚠ ADVERTENCIA *No aplique presiones que excedan la presión de funcionamiento de ninguna de las partes (mangueras, acoples, etc...) del sistema de presión. Asegúrese de que todo el equipo y los accesorios estén clasificados para resistir la presión máxima de trabajo de la unidad.*

⚠ ADVERTENCIA *Peligro de Explosión.*

- NUNCA rocíe líquidos inflamables, ni use la hidrolavadora en áreas donde haya residuos líquidos o vapores combustibles.
- Nunca opere esta máquina en un edificio cerrado o en un ambiente explosivo o cerca del mismo.

⚠ ADVERTENCIA *No rocíe artefactos ni alambres eléctricos.*

- Nunca desconecte la manguera de descarga de alta presión de la máquina mientras el sistema esté presurizado. Para despresurizar la máquina, cierre los suministros de electricidad y agua, y luego, presione 2-3 veces el gatillo de la pistola.
- Nunca enganche de manera permanente el mecanismo del gatillo de la pistola.
- Nunca opere la máquina sin que todos los componentes estén debidamente conectados a ella. (Mango, conjunto de pistola/vara, boquilla, etc.)

⚠ ADVERTENCIA *DAÑOS EN EL***EQUIPO**

- SIEMPRE abra el suministro de agua antes de la hidrolavadora. La operación de la bomba en seco causa daños muy serios.
- No opere la lavadora a presión con el filtro de la entrada de agua removido. Mantenga el filtro libre de basura y sedimento.
- NUNCA opere la lavadora a presión con piezas rotas o que faltan. Revise el equipo con regularidad y repare o cambie inmediatamente las piezas gastadas o dañadas.

Instrucciones de montaje y lista de piezas

PW1805

PARA REPARAR UN APARATO DE DOBLE AISLAMIENTO (Continuación)

- Use solamente la boquilla suministrada con esta máquina.
- Nunca deje la lanza sola mientras la máquina esté funcionando.
- Nunca intente alterar los ajustes de fábrica. La alteración de los ajustes de fábrica podría dañar la unidad y anulará la garantía.
- Siempre sujete firmemente la pistola y lanza cuando inicie el funcionamiento y opere la máquina.
- NUNCA permita que la unidad funcione por más de un (1) minuto con el gatillo suelto (off). El calor producido durante ese tipo de funcionamiento dañará la bomba.
- La lavadora a presión no está diseñada para bombear agua caliente. NUNCA la conecte a un suministro de agua caliente ya que reduciría significativamente la vida de la bomba.
- NUNCA guarde la hidrolavadora a la intemperie o donde se pueda congelar. La bomba se dañaría seriamente.
- Suelte el gatillo cuando vaya a cambiar de alta a baja presión. De no hacerlo podría dañar la boquilla.

▲PRECAUCION *Mantenga la manguera lejos de objetos filudos. Las mangueras que se revientan pueden ocasionar lesiones. Examine las mangueras con regularidad y cámbielas si están dañadas. No intente reparar una manguera dañada.*

Conexión de la Manguera de Jardín

1. Conecte el adaptador de pivote al orificio de entrada de agua de la bomba, si ya no está conectado. Fíjese que el adaptador de pivote está marcado con las palabras "pump" (bomba) y "hose" (manguera). Asegúrese de conectar el lado de la bomba del adaptador al orificio de entrada de agua de la bomba para prevenir un daño a la rosca.
2. Conecte la manguera de jardín al lado del adaptador de pivote marcado con "hose" (manguera).
3. La pistola pulverizadora debe estar trabada en la posición "OFF" (apagado) por medio del cierre de seguridad del gatillo ubicado arriba del gatillo de la pistola. Accione el cierre teniendo la pistola y empujando el cierre de la izquierda a la derecha. Apriete el gatillo para asegurarse que el mismo no se mueva. El cierre de seguridad del gatillo debe quedar siempre trabado cuando la lavadora de presión no se esté usando.

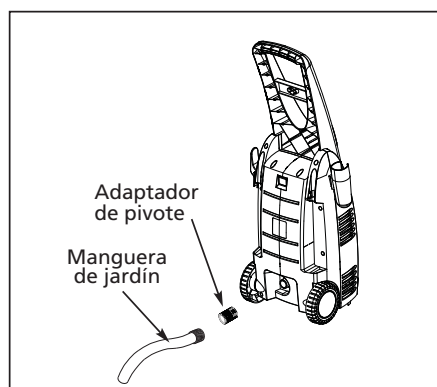
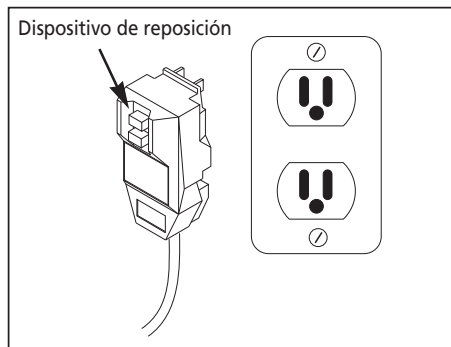


Figura 2 - Conexión de la manguera de jardín

Instrucciones de montaje y lista de piezas**PW1805****Cable de Corriente Eléctrica**

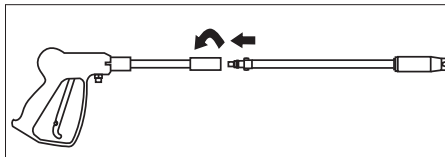
1. Enchufe el cable de corriente eléctrica a un tomacorriente con tierra de 120V y presione el botón de reposición como se muestra en la Figura 3.

**Figura 3 - Enchufe con tierra/botón de reposición**

2. SE DEBE HACER ESTO CADA VEZ QUE LA UNIDAD SE ENCHUFE EN UN TOMACORRIENTE.

Conexión del Sistema

1. Inserte la lanza en la pistola y gírela en el sentido de las agujas del reloj hasta que llegue a su tope, como se muestra en la Figura 4.

**Figura 4 - Conexión de la pistola y lanza**

2. Conecte la manguera de alta presión a la pistola girando en sentido horario y apriete con una llave.
3. Verifique que el interruptor esté en la posición "OFF" ("APAGADO").
4. Conecte la manguera de alta presión al orificio de salida del agua de la bomba girando en sentido horario y apretando a mano.
5. Conecte la manguera de jardín según se explica en **Instrucciones de conexión de la manguera de jardín**.
6. Enchufe el cordón de corriente en un tomacorrientes de 120 V con conexión a tierra.
7. Abra la llave del agua.
8. Suelte el cierre del gatillo deslizando el cierre de la derecha a la izquierda.
9. Oprima el gatillo y manténgalo presionado por 1 minuto para liberar la presión y liberar el aire atrapado en el sistema.
10. Coloque el interruptor "ON/OFF" ("ENCENDIDO/APAGADO") en la posición "ON" ("ENCENDIDO").

Instrucciones de montaje y lista de piezas**PW1805****CÓMO EVITAR DAÑAR LAS SUPERFICIES****Instrucciones de uso**

El daño a las superficies de limpieza ocurre porque la fuerza de impacto del agua supera la durabilidad de la superficie. Puede variar la fuerza de impacto controlando el patrón en abanico de la boquilla, el ángulo de la boquilla con respecto a la superficie de limpieza y la distancia entre la boquilla y la superficie de limpieza. Nunca utilice un chorro angosto de alto impacto ni una boquilla turbo sobre una superficie propensa a ser dañada. Evite rociar las ventanas con un chorro angosto de alto impacto o con una boquilla turbo. Hacer esto puede quebrar la ventana. La forma más segura de evitar daños a las superficies es seguir estos pasos:

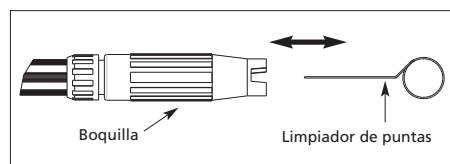
1. Antes de apretar el gatillo, ajuste la boquilla en un patrón en abanico amplio.
2. Coloque la boquilla aproximadamente a 4-5 pies de distancia de la superficie de limpieza. Luego sostenga la boquilla en un ángulo de 45° grados con respecto a la superficie de limpieza. Dispare la pistola.
3. Varíe el ángulo de rociado del patrón en abanico y la distancia a la superficie de limpieza hasta lograr una óptima eficiencia de limpieza sin dañar la superficie.

INSTRUCCIONES PARA LIMPIAR LA BOQUILLA

Una boquilla obstruida o parcialmente obstruida puede provocar una reducción significativa del agua que sale por la boquilla y hacer que la unidad vibre al rociar.

Para limpiar la boquilla:

- Apague la unidad.
- Cierre el suministro de agua. Libere toda la presión atrapada en la manguera apretando el gatillo 2 ó 3 veces.
- Quite la lanza de la pistola.
- Gire la boquilla a la posición de chorro angosto. Esto abre las paletas de la turbina.
- Usando el limpiador de puntas que se incluye, o un sujetador de papeles desdoblado, introduzca el alambre en el orificio de la boquilla y muévalo hacia adelante y hacia atrás hasta quitar la obstrucción (vea la figura 5).
- Quite las obstrucciones adicionales pasando agua en dirección inversa a través de la boquilla. Para hacer eso, quite la boquilla de la pistola, ponga un extremo de la manguera de jardín (con el agua abierta) en la punta de la boquilla para expulsar agua y residuos por el orificio trasero de la lanza.

**Figure 5**

Instrucciones de montaje y lista de piezas**PW1805****DETERGENTES**

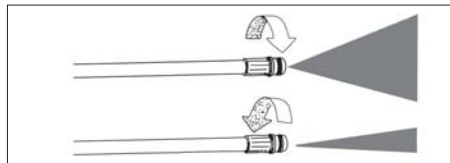
El uso de detergentes puede reducir radicalmente el tiempo de limpieza y ayudar a eliminar las manchas resistentes. Algunos detergentes han sido diseñados específicamente para usar con lavadoras a presión en tareas de limpieza específicas. Estos detergentes tienen una densidad aproximadamente igual a la del agua. El uso de detergentes más espesos, como jabón para vajilla, obstruirá el sistema de inyección de productos químicos y evitará la aplicación del detergente.

La potencia de limpieza de los detergentes depende de su aplicación a una superficie y el tiempo de espera para que los productos químicos actúen sobre la suciedad y el tizne. Los detergentes funcionan mejor cuando se aplican a baja presión.

La combinación de la acción de los productos químicos y el enjuague de alta presión es muy eficaz. En superficies verticales, aplique el detergente comenzando desde abajo y avanzando hacia arriba. Esto evitará que el detergente se escurra hacia abajo dejando marcas. El enjuague de alta presión también se debe realizar desde abajo hacia arriba. En manchas particularmente resistentes, puede ser necesario usar un cepillo conjuntamente con los detergentes y el enjuague de alta presión.

Operación

1. Durante el funcionamiento, la presión afecta la lanza: téngala firmemente con ambas manos y apunte la boquilla hacia el suelo.
2. Accione jalando el gatillo de la pistola pulverizadora/mango.
3. Ajuste la distancia de la superficie a limpiar, lo cual actúa también sobre la presión de la boquilla.
4. Refiérase al manual del producto para el funcionamiento, la limpieza de la superficie, y cómo evitar daños a las superficies y otros asuntos.

**Figura 7 - Ajuste de pulverización****CONCLUSIÓN DEL TRABAJO**

1. Presione el interruptor ON/OFF de la lavadora de presión en la posición "OFF".
2. Desconecte el enchufe del suministro de corriente.
3. Cierre el suministro de agua.
4. Accione el mango pulverizador para aliviar la presión de la máquina.
5. Trabe el gatillo en la posición "OFF".

Instrucciones de montaje y lista de piezas

PW1805

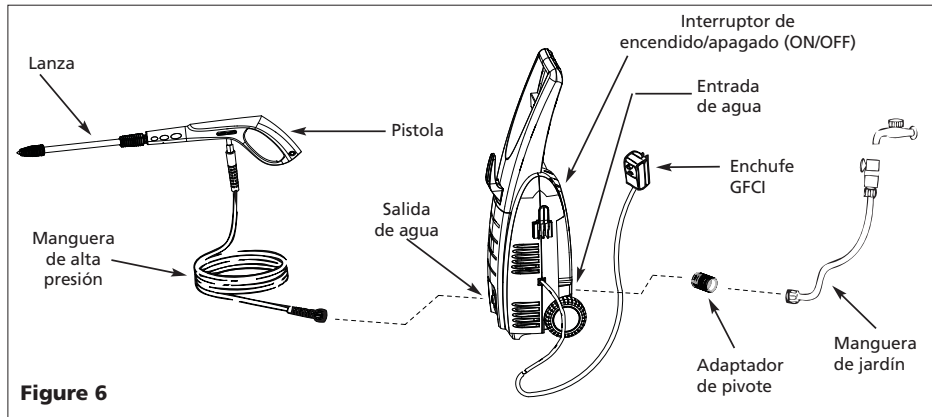


Figure 6

Notas

Instrucciones de montaje y lista de piezas**PW1805****Lista de Repuestos**

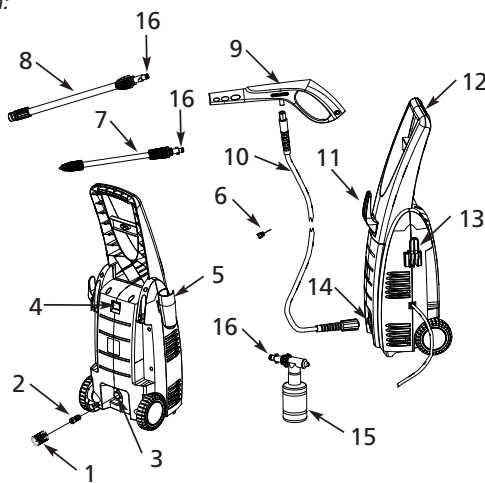
**Para Ordenar Repuestos o Asistencia Técnica,
sírvese llamer al 1-800-330-0712
(En los Estados Unidos, o llame a su distribuidor local)**

Sírvese proporcionar la siguiente información:

- Número de modelo
- Número de serie (si lo hubiera)
- Descripción y número del repuesto,
según se indica en la lista de repuestos.

Dirija toda la correspondencia a:

Campbell Hausfeld
Attn: Customer Service
100 Mundy Memorial Drive
Mt. Juliet, TN 37122 U.S.A.



No. de Ref.	Descripción	Número del Repuesto	Ctd.
1	Adaptador de pivote	PM350100SV	1
2	Filtro	PM350101SV	1
3	Entrada	N/A	1
4	Interruptor	N/A	1
5	Soporte de la pistola	PM350111SV	1
6	Limpiador de puntas	PM008500AV	1
7	Boquilla turbo	PM350108SV	1
8	Lanza de rociado en abanico ajustable	PM350104SV	1
9	Pistola	PM350109SV	1
10	Manguera	PM350110SV	1
11	Soporte para la manguera	PM350112SV	1
12	Mango	PM350114SV	1
13	Soporte del cable eléctrico	PM350113SV	1
14	Salida	N/A	1
15	Botella para detergente	PM350105AV	1
16	Anillo en O	PM232200SV	3

Instrucciones de montaje y lista de piezas

PW1805

Garantía Limitada

1. DURACIÓN : A partir de la fecha de compra por parte del comprador original del modo siguiente : Un año.
 2. QUIÉN OTORGA ESTA GARANTÍA (GARANTE) : Campbell Hausfeld / Scott Fetzer Company, 100 Production Drive, Harrison, Ohio 45030, Teléfono: (800) 330-0712
 3. QUIÉN RECIBE ESTA GARANTÍA (COMPRADOR) : El comprador original (sin fines de reventa) de la lavadora a presión Campbell Hausfeld.
 4. QUÉ PRODUCTOS ESTÁN CUBIERTOS POR ESTA GARANTÍA : Toda lavadora a presión Campbell Hausfeld proporcionada o fabricada por el Garante.
 5. QUÉ ESTÁ CUBIERTO POR ESTA GARANTÍA : Defectos importantes en el material y en la mano de obra que ocurran durante la duración del período de garantía con las excepciones que se detallan a continuación. La garantía cubre también los artículos de desgaste normal por un período de 90 días de la fecha de compra original contra defectos de material y mano de obra. Estos artículos de desgaste normal incluyen mangueras de alta presión, sellos de agua y aceite, anillos en O, válvulas, lanzas y boquillas de rociado.
 6. QUÉ NO ESTÁ CUBIERTO POR ESTA GARANTÍA :
 - A. Las garantías implícitas, incluyendo aquellas de comercialización y APTITUD PARA UN PROPÓSITO ESPECÍFICO, ESTÁN LIMITADAS DESDE LA FECHA DE COMPRA ORIGINAL SEGÚN SE ESTABLECE EN LA DURACIÓN. Si esta lavadora a presión es empleada para uso comercial, industrial o alquiler, la garantía será aplicable durante 90 (noventa) días a partir de la fecha de compra. En algunos estados no se permiten las limitaciones a la duración de una garantía implícita, por lo cual las limitaciones antedichas pueden no ser aplicables en su caso.
 - B. CUALQUIER PÉRDIDA, DAÑO O GASTO INCIDENTAL, INDIRECTO O CONSECUENTE QUE PUEDA RESULTAR DE CUALQUIER DEFECTO, FALLA O MAL FUNCIONAMIENTO DE LA LAVADORA A PRESIÓN CAMPBELL HAUSFELD. En algunos estados no se permiten la exclusión ni la limitación de los daños incidentales o consecuentes, por lo cual la limitación o exclusión antedichas pueden no ser aplicables en su caso.
 - C. Cualquier fallo que sea el resultado de daños de envío, accidente, abuso, negligencia por parte del comprador o si éste no instala y hace funcionar la lavadora a presión de acuerdo con las instrucciones proporcionadas en el (los) manual(es) del propietario que se entrega(n) con el producto.
 - D. Servicio previo a la entrega, es decir, armado, aceite o lubricantes y ajuste.
 - E. Artículos o servicios que normalmente se necesitan para el mantenimiento de la lavadora a presión.
 - F. El motor a gasolina y sus componentes que están expresamente excluidos de la cobertura según esta garantía limitada. Dichos componentes deben ser devueltos por el comprador al fabricante original o a sus estaciones de reparación autorizadas para servicio.
 - G. Artículos adicionales no cubiertos por la garantía:
 1. Cepillos del motor (solo modelos eléctricos).
 2. Defectos estéticos que no interfieren con la funcionalidad.
 3. Componentes oxidados.
 4. Desgaste de la bomba o daños de las válvulas causados por el uso de un aceite inadecuado, contaminación del aceite o por no seguir las pautas de mantenimiento de lubricación adecuadas.
 7. RESPONSABILIDAD DEL GARANTE EN VIRTUD DE ESTA GARANTÍA : Según elija el Garante, la reparación o el reemplazo de la lavadora a presión o los componentes que estén defectuosos, que hayan funcionado en forma inadecuada o que no hayan cumplido con su función dentro de la duración del período de la garantía.
 8. RESPONSABILIDAD DEL COMPRADOR EN VIRTUD DE ESTA GARANTÍA :
 - A. Proporcionar comprobante de compra fechado y registros de mantenimiento.
 - B. Llame a Campbell Hausfeld (800-330-0712) por sus opciones de servicio incluidas en la garantía. Los costos de flete correrán por cuenta del comprador.
 - C. Emplear un cuidado razonable para el manejo y el mantenimiento de la lavadora a presión, según se describe en el (los) manual(es) del propietario.
 9. EN QUÉ CASOS EL GARANTE PROPORCIONARÁ REPARACIÓN O REEMPLAZO EN VIRTUD DE ESTA GARANTÍA : La reparación o el reemplazo serán establecidos y se llevarán a cabo de acuerdo con el flujo de trabajo normal en la instalación de servicio, y dependerá de la disponibilidad de piezas de repuesto.
- Esta garantía limitada se aplica únicamente en los EE.UU., Canadá y México, y le proporciona derechos legales específicos. Puede que también tenga otros derechos que pueden variar de un estado a otro, o de un país a otro.

